

REVISIONS			
REV	DESCRIPTION	DATE	APPROVED
A	INITIAL RELEASE	18SEP20	A. POP
B	AS PER ECR-102888	31MAY21	A. POP

JUMPER TABLE		
JP#	ON	OFF
1		
2		
3		
4		
5		

* SEE ASSEMBLY INSTRUCTIONS

THIS DRAWING IS THE PROPERTY OF ANALOG DEVICES INC. IT IS NOT TO BE REPRODUCED OR COPIED, IN WHOLE OR IN PART, OR USED IN FURNISHING INFORMATION TO OTHERS, OR FOR ANY OTHER PURPOSE DETRIMENTAL TO THE INTERESTS OF ANALOG DEVICES. THE EQUIPMENT SHOWN HEREON MAY BE PROTECTED BY PATENTS OWNED OR CONTROLLED BY ANALOG DEVICES.

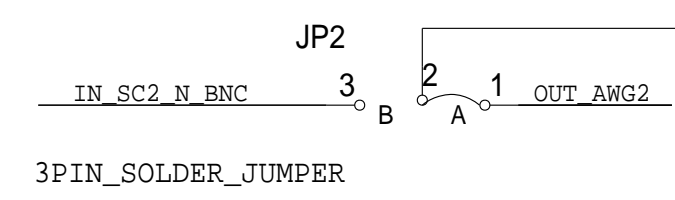
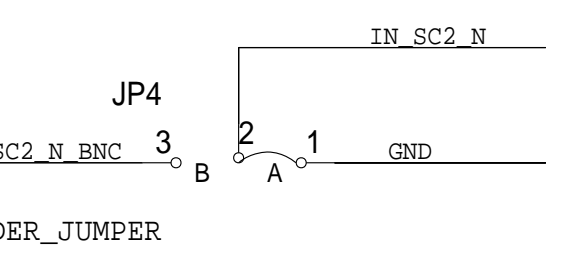
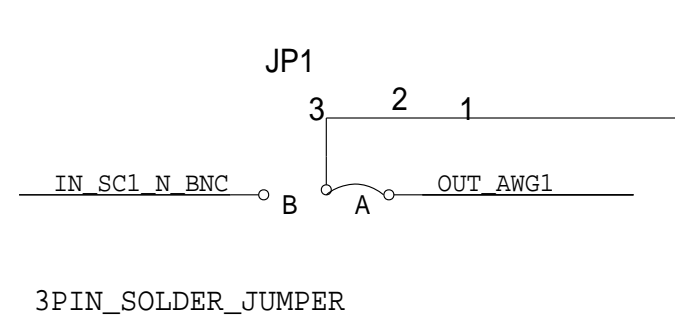
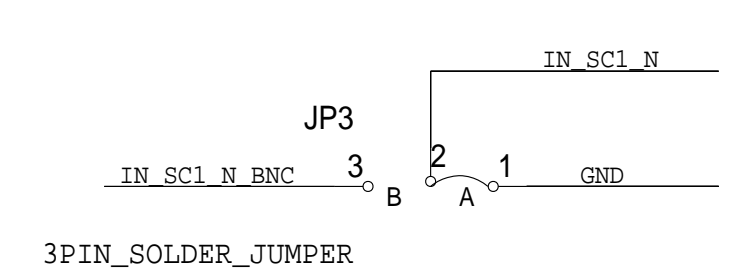
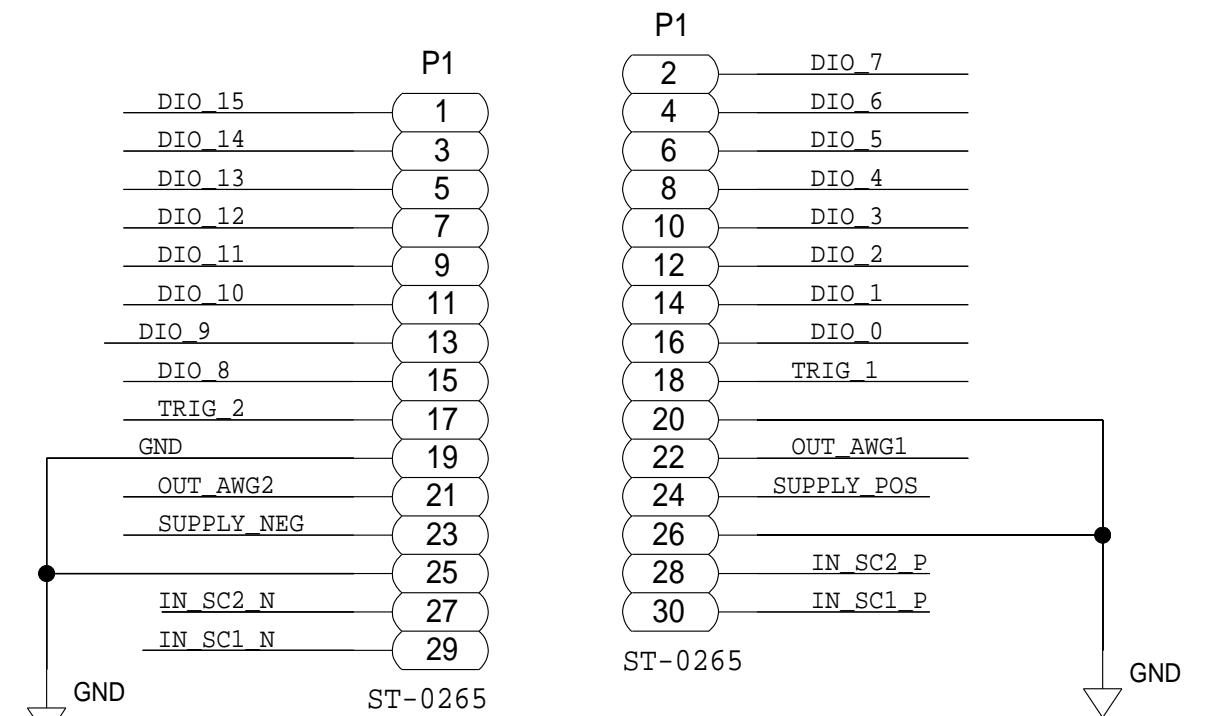
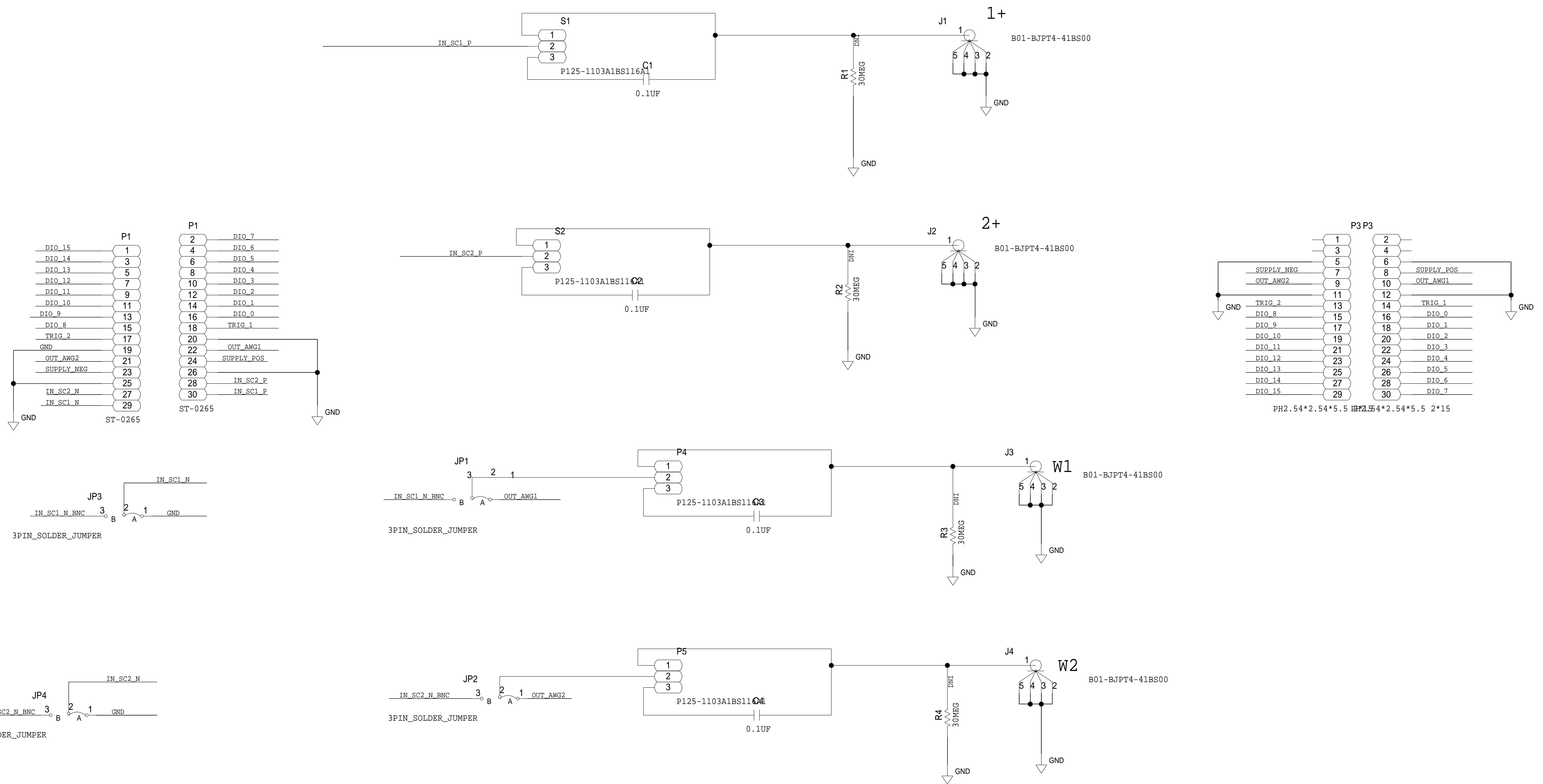
RELAY CONTROL CHART

CONTROL	CODE	DEVICE	FUNCTION	CONNECTOR

P.O SPEC.	BK/BD SPEC.	SOCKET OEM	OEM PART#	HANDLER

TEMPLATE ENGINEER -	DATE 18SEP20	<p style="text-align: center;">SCHEMATIC</p> <p>HW TYPE : Customer Evaluation Z Product(s): ADALM2000 : N/A PACKAGE : LeadCount-lead BodySize PackageType-family : Pitch-pitch StyleVendor Style</p>										
HARDWARE SERVICES M. VALE												
HARDWARE SYSTEMS -												
TEST ENGINEER -												
COMPONENT ENGINEER M. YAN	18SEP20	<User Define> <User Define> <User Define>	<table border="0"> <tr> <td>MASTER PROJECT TEMPLATE</td> <td>TESTER TEMPLATE</td> <td rowspan="2">DRAWING NO.</td> <td rowspan="2">REV.</td> </tr> <tr> <td>TBD</td> <td>no_template</td> <td>02_064107</td> <td>B</td> </tr> </table>		MASTER PROJECT TEMPLATE	TESTER TEMPLATE	DRAWING NO.	REV.	TBD	no_template	02_064107	B
MASTER PROJECT TEMPLATE	TESTER TEMPLATE	DRAWING NO.			REV.							
TBD	no_template					02_064107	B					
TEST PROCESS -												
HARDWARE RELEASE K. JABATAN	18SEP20											
DESIGNER M. VICEDO	18SEP20											
PTD ENGINEER A. POP	18SEP20											
CHECKER -												
UNLESS OTHERWISE SPECIFIED DIMENSIONS ARE IN INCHES			SIZE	SCALE								
TOLERANCES			D	1:1								
DECIMALS	FRACTIONS	ANGLES	CODE ID NO.									
X.XX +0.010	+1/32	+2	CodeID									
X.XXX +0.005												
			SHEET 1	OF 2								

REVISIONS			
REV	DESCRIPTION	DATE	APPROVED



	SCHEMATIC		
	HW TYPE : Customer Evaluation Z Product(s): ADALM2000 : N/A		
	DESIGN VIEW <DESIGN_VIEW>	DRAWING NO. 02_064107	REV B
	PTD ENGINEER A. POP	SIZE D	SCALE 1:1
		SHEET 2 OF 2	