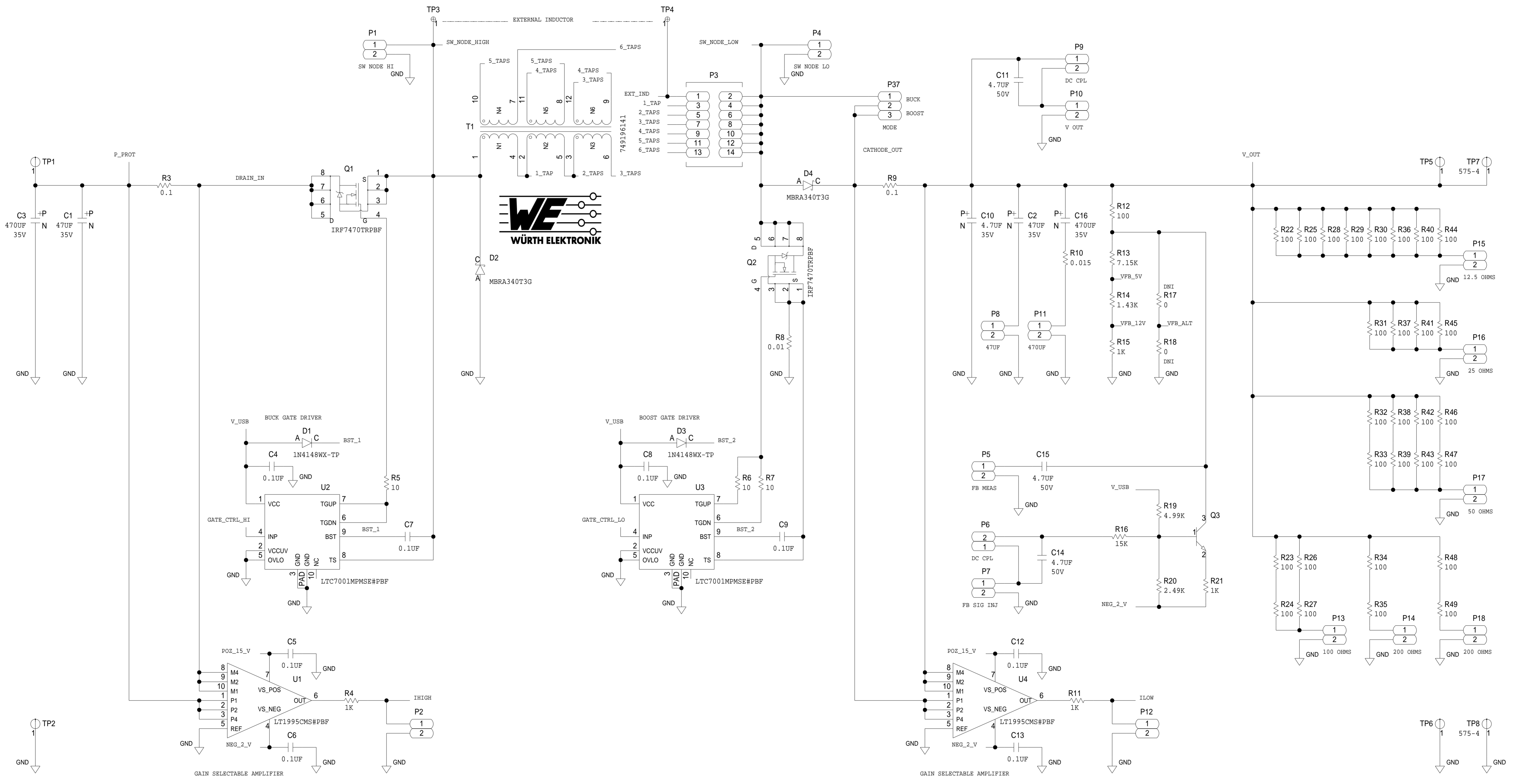
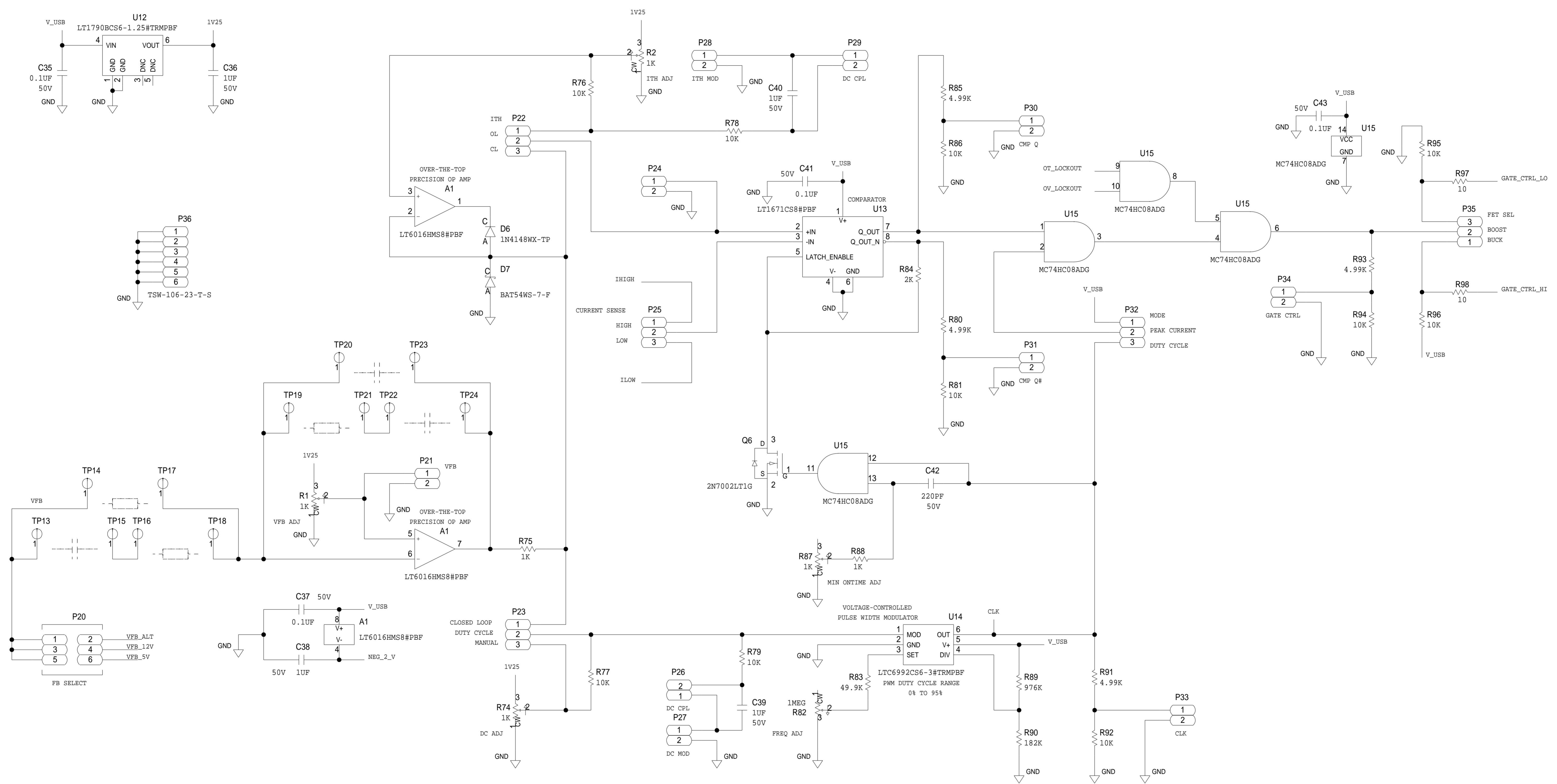


REVISIONS			
REV	DESCRIPTION	DATE	APPROVED



	SCHEMATIC		
	HW TYPE : Customer Evaluation Z Product(s) : LTC7001 : LT1671		
	DESIGN VIEW <DESIGN_VIEW>	DRAWING NO. 02_059790	REV A
	PTD ENGINEER M. SUCIU	SIZE D	SCALE 1:1
		SHEET 2 OF 4	

REVISIONS			
REV	DESCRIPTION	DATE	APPROVED

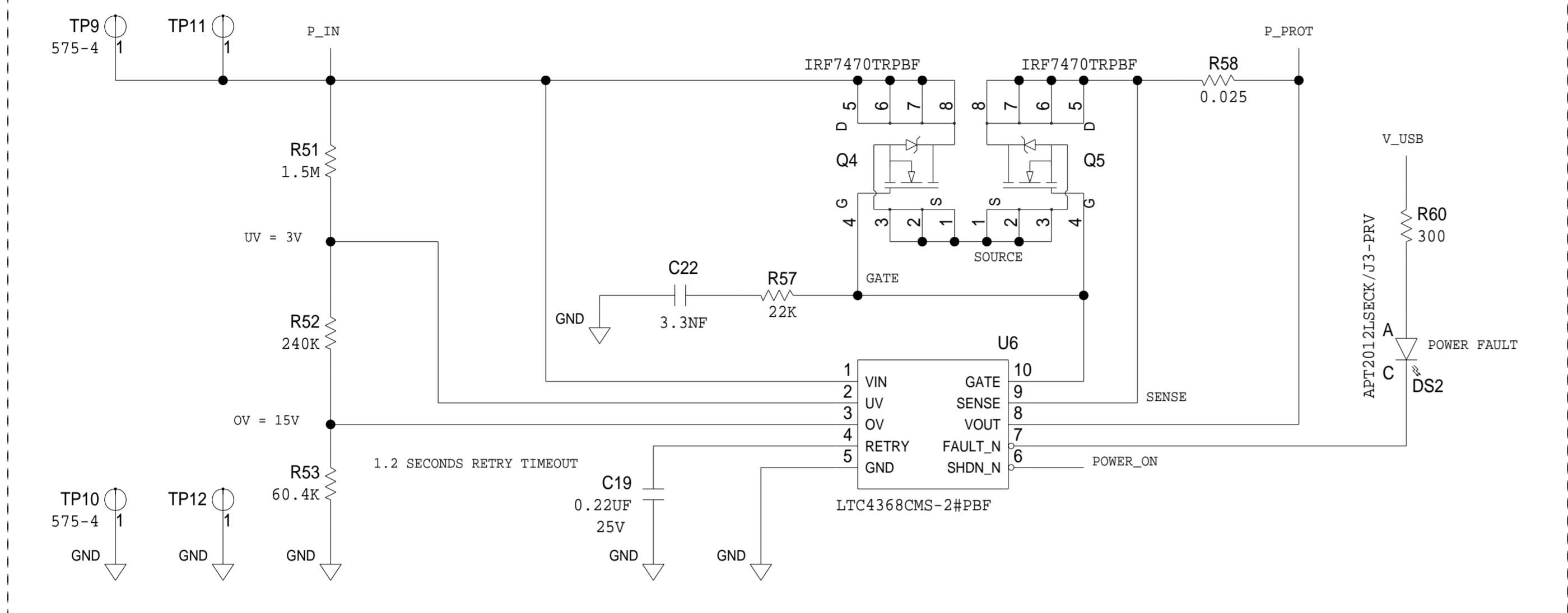


	SCHEMATIC		
	HW TYPE : Customer Evaluation Z Product(s) : LTC7001 : LT1671		
	DESIGN VIEW <DESIGN_VIEW>	DRAWING NO. 02_059790	REV A
	PTD ENGINEER M. SUCIU	SIZE D	SCALE 1:1

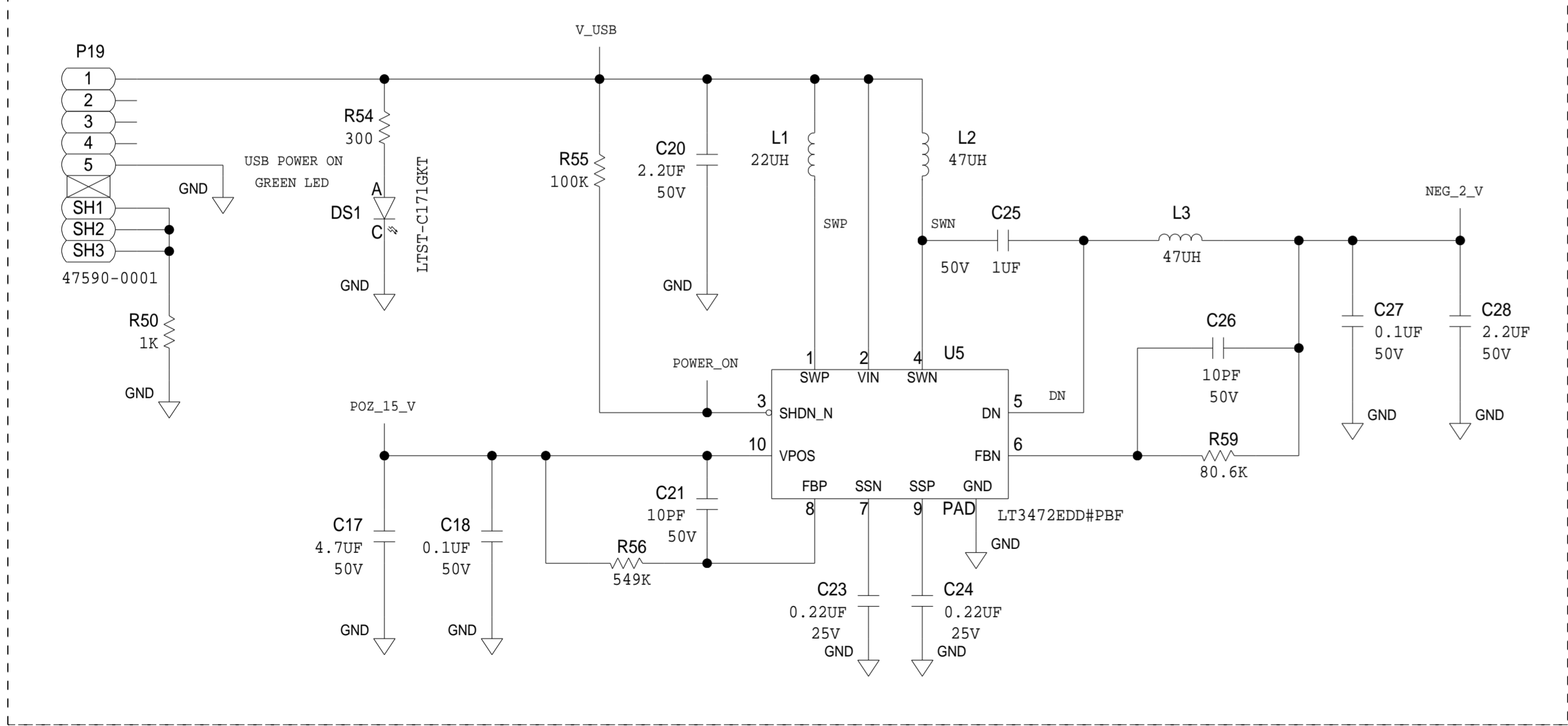
THIS DRAWING IS THE PROPERTY OF ANALOG DEVICES INC. IT IS NOT TO BE REPRODUCED OR COPIED, IN WHOLE OR IN PART, OR USED IN ANY MANNER WITHOUT THE WRITTEN PERMISSION OF ANALOG DEVICES. THE EQUIPMENT SHOWN HEREIN MAY BE PROTECTED BY PATENTS OWNED OR CONTROLLED BY ANALOG DEVICES.

REVISIONS			
REV	DESCRIPTION	DATE	APPROVED

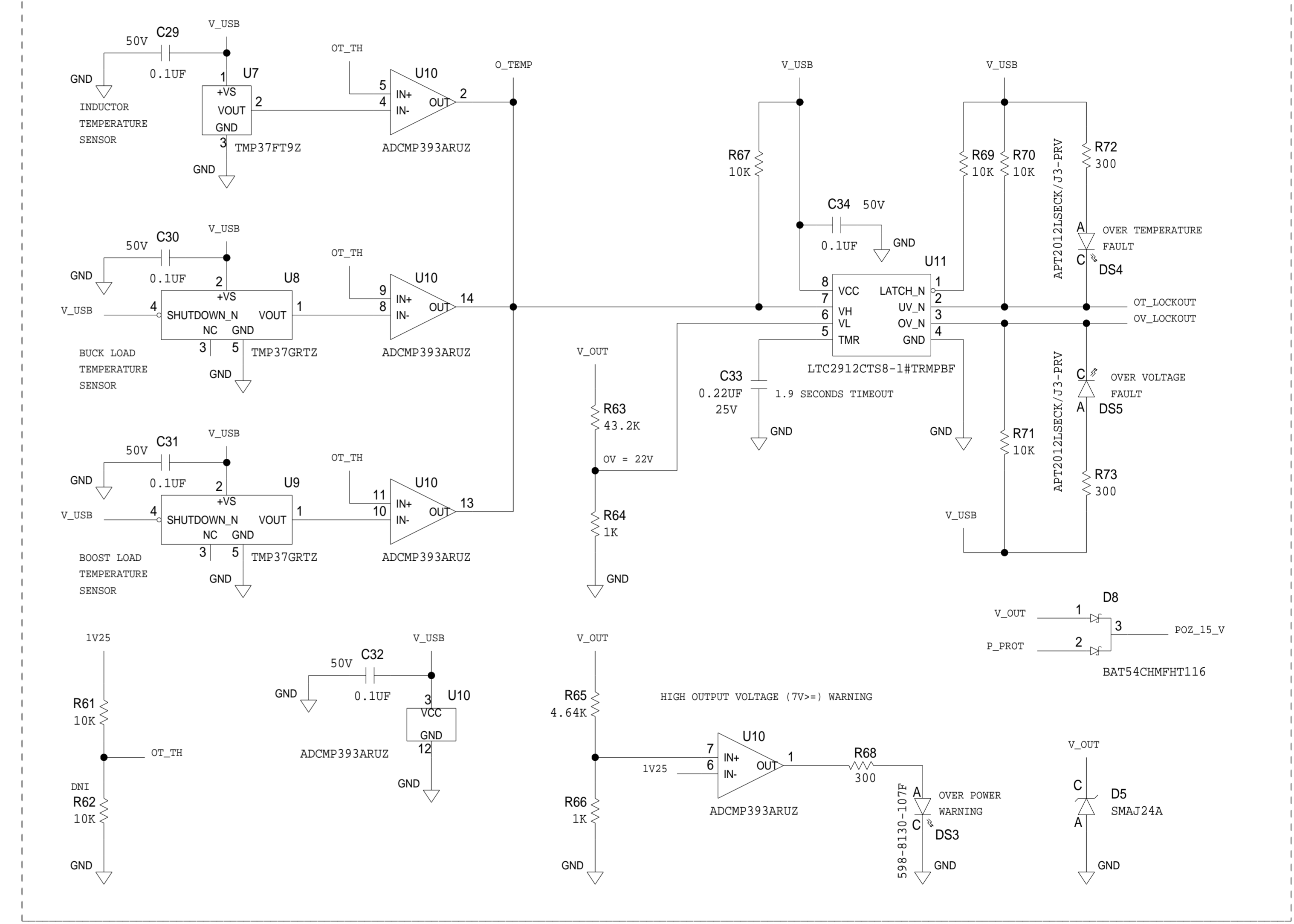
INPUT OVERVOLTAGE, UNDERVOLTAGE AND OVERCURRENT PROTECTION



HOUSEKEEPING SUPPLY



OUTPUT OVERVOLTAGE AND OVERTEMPERATURE PROTECTION



	SCHEMATIC	
	HW TYPE : Customer Evaluation Z Product(s) : LTC7001 : LT1671	
DESIGN VIEW <DESIGN_VIEW>	DRAWING NO. 02_059790	REV A
PTD ENGINEER M. SUCIU	SIZE D	SCALE 1:1
SHEET 4 OF 4		SHEET 4 OF 4