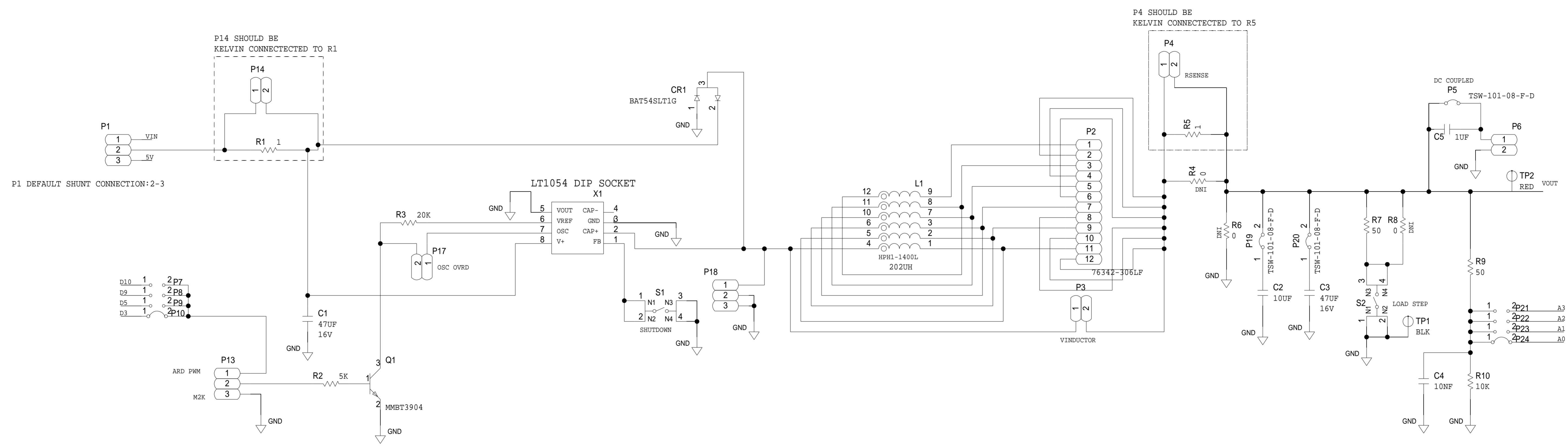
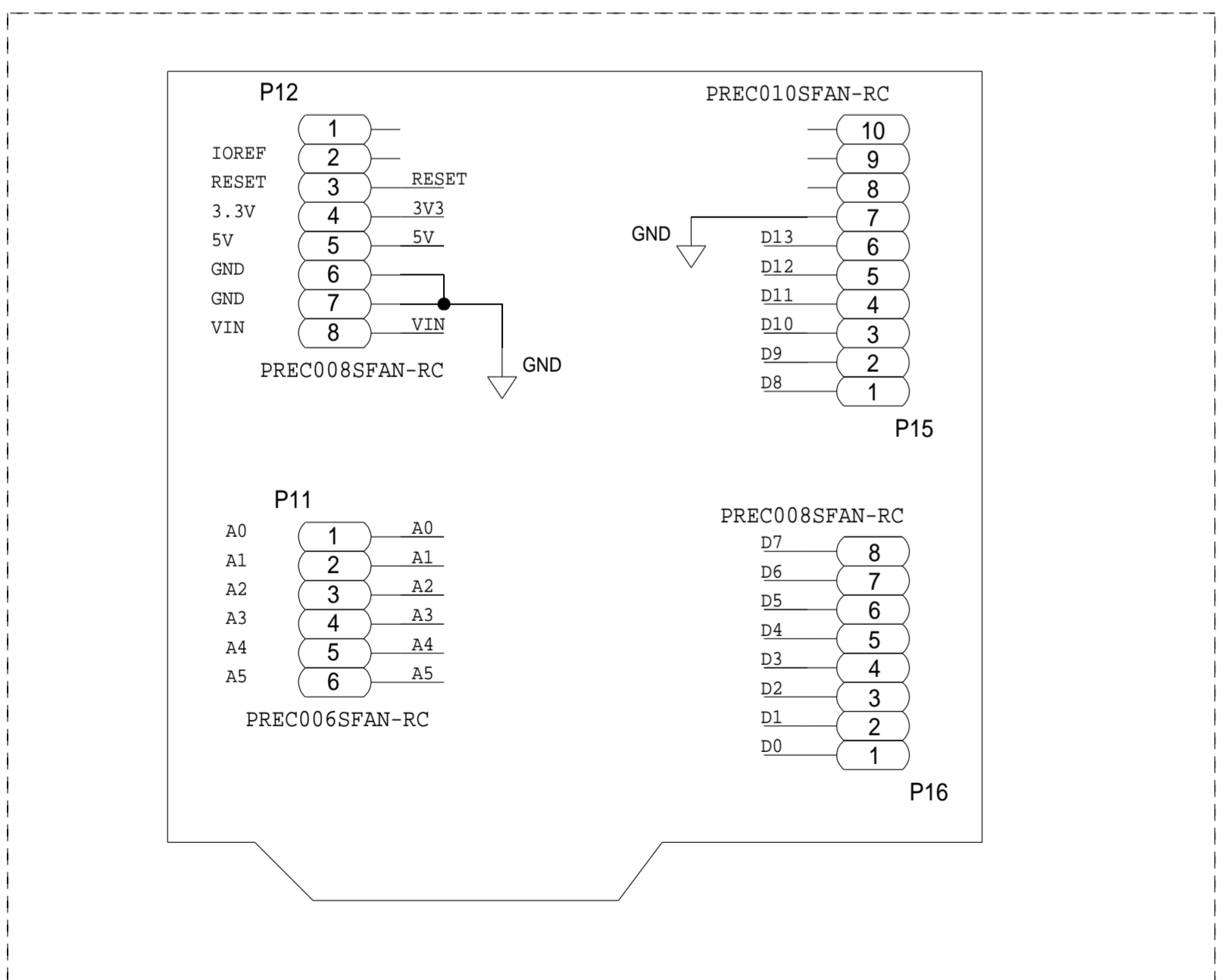


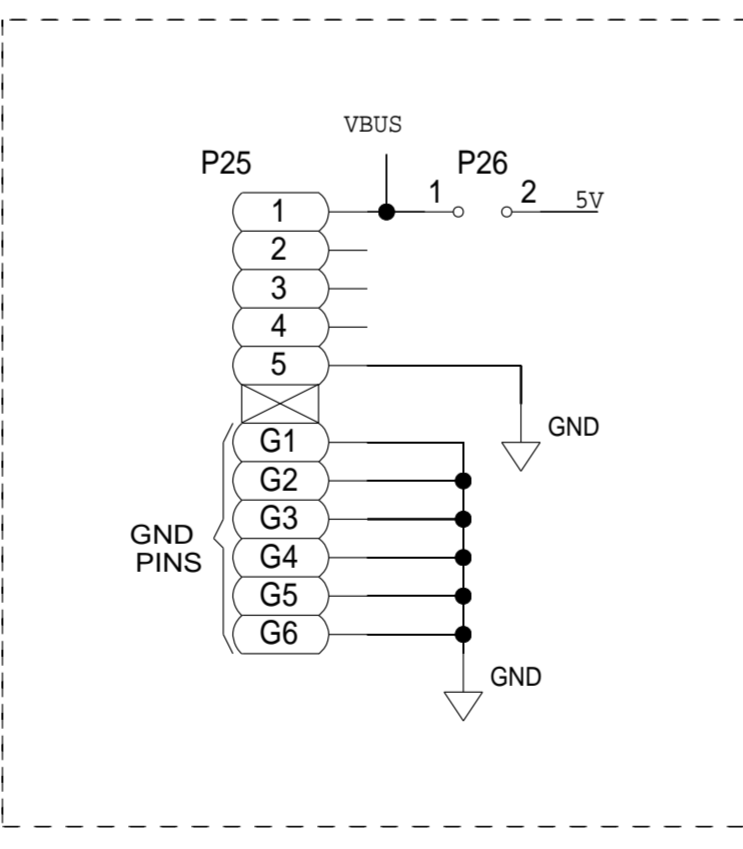
REVISIONS			
REV	DESCRIPTION	DATE	APPROVED



ARDUINO CONNECTION



USB POWER SOURCE OPTION



	SCHEMATIC		
	HW TYPE : Customer Evaluation Z Product(s): LT1054 : eval board		
DESIGN VIEW <DESIGN_VIEW>	DRAWING NO. 02_056851	REV A	
PTD ENGINEER E. REYTA	SIZE D	SCALE 1:1	SHEET 2 OF 2