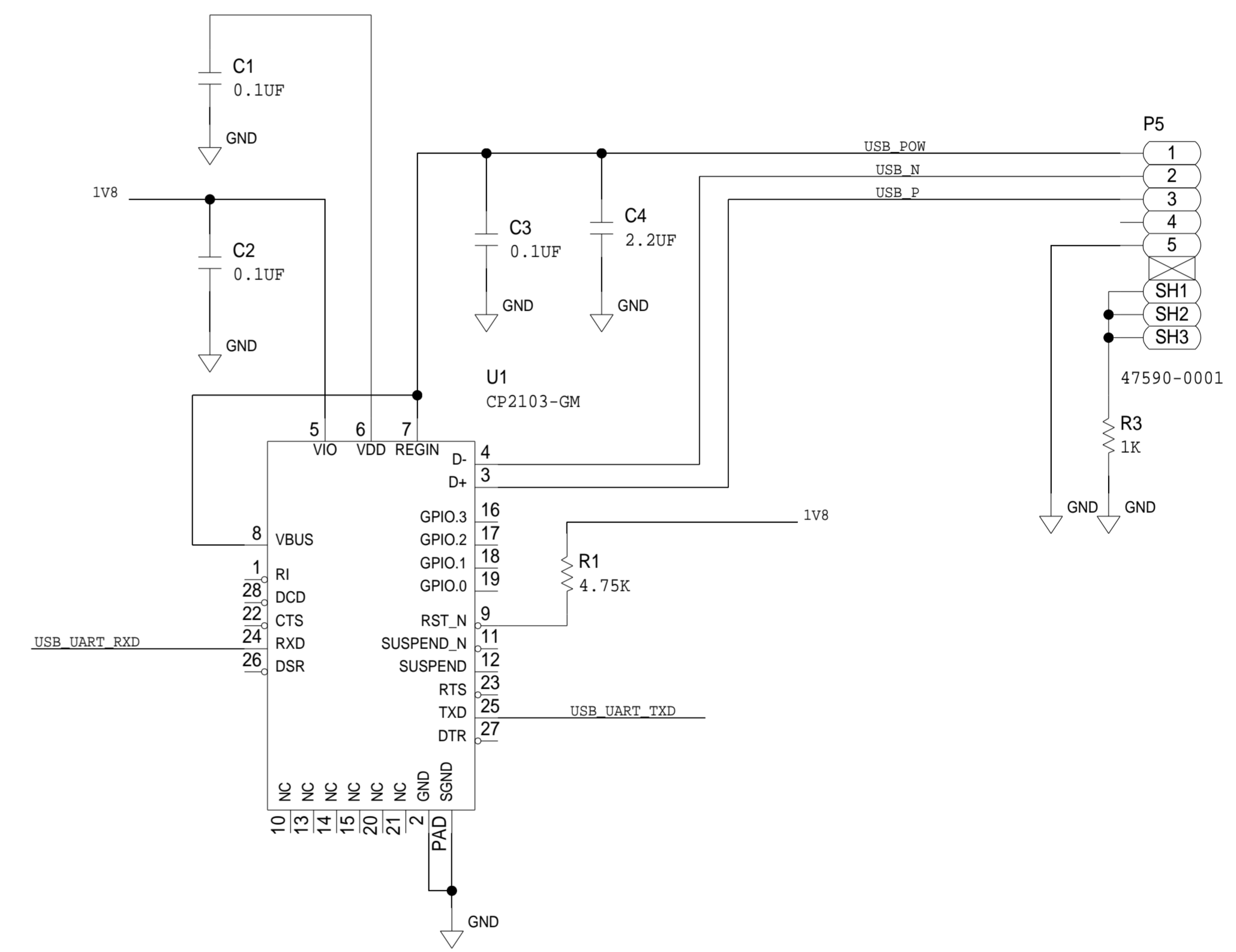
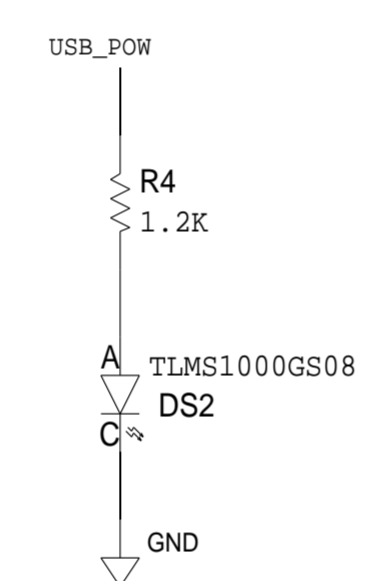
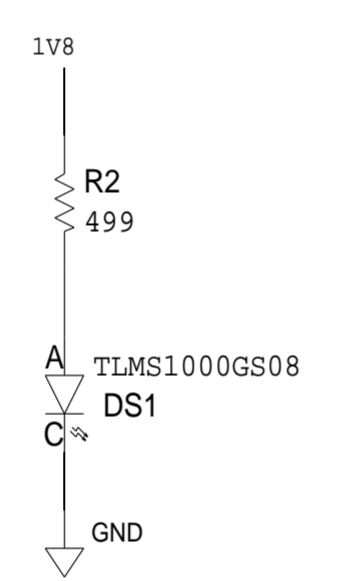
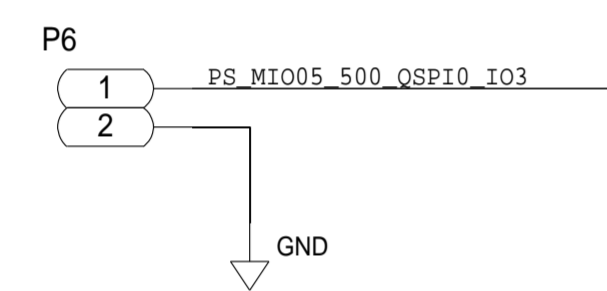
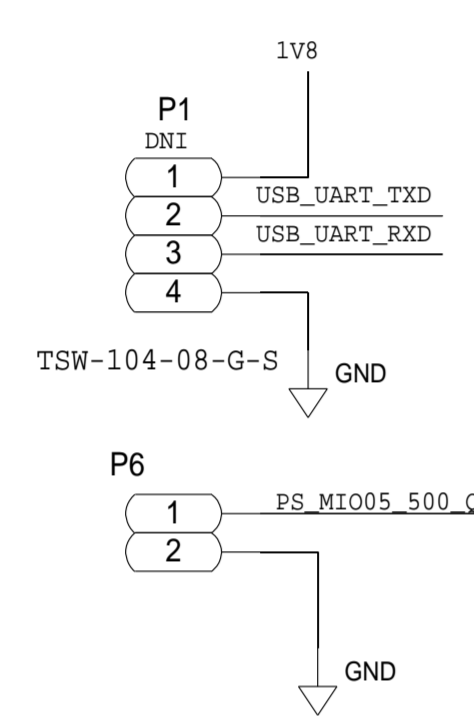
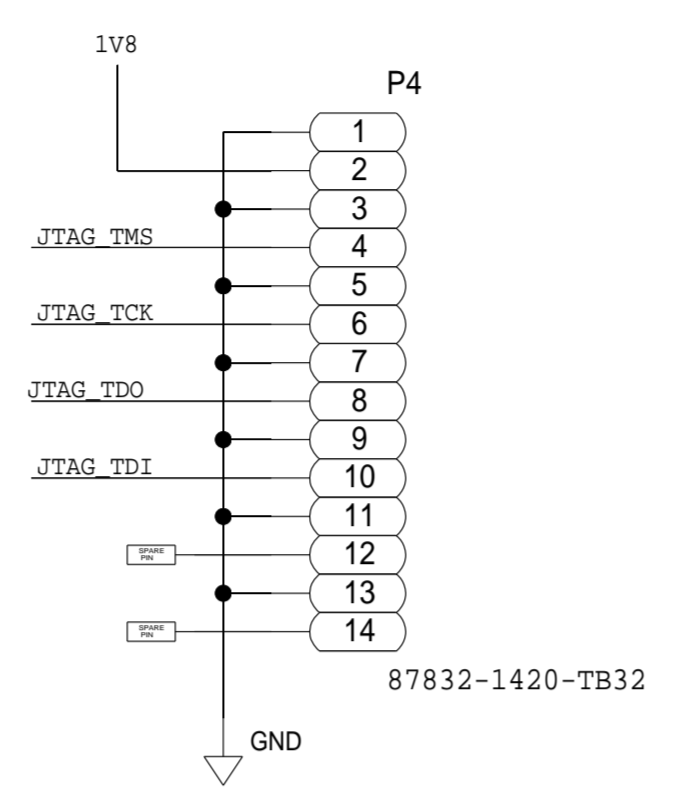
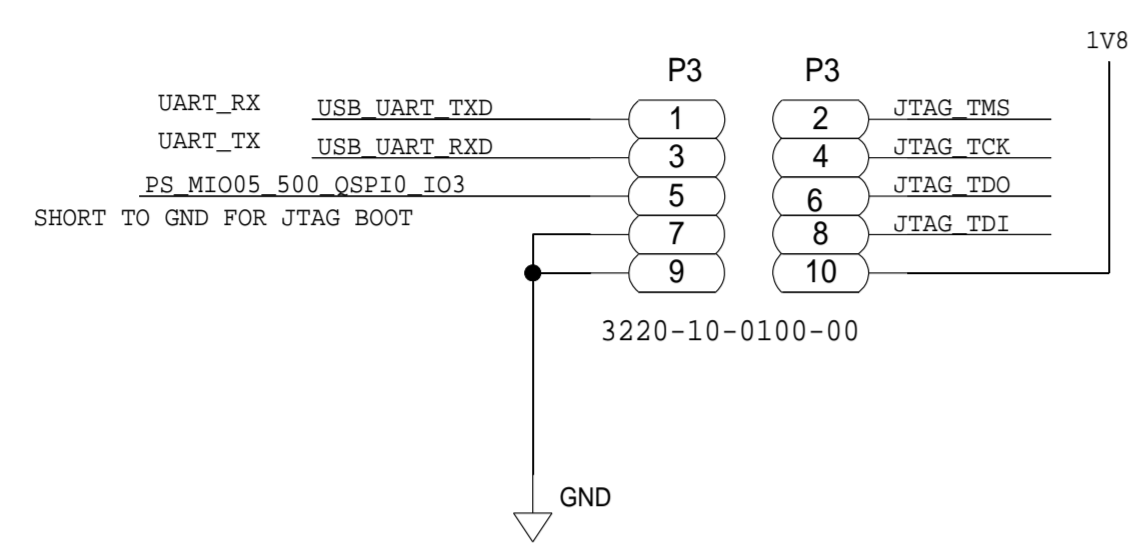




REVISIONS			
REV	DESCRIPTION	DATE	APPROVED

0.05 PITCH JTAG AND UART CONNECTOR



	<b>SCHEMATIC</b>		
	HW TYPE : Customer Evaluation Z Product(s): NA : NA		
	DESIGN VIEW <DESIGN_VIEW>	DRAWING NO. 02_044254	REV A
	PTD ENGINEER M. BANCISOR	SIZE D	SCALE 1:1
		SHEET 2 OF 2	