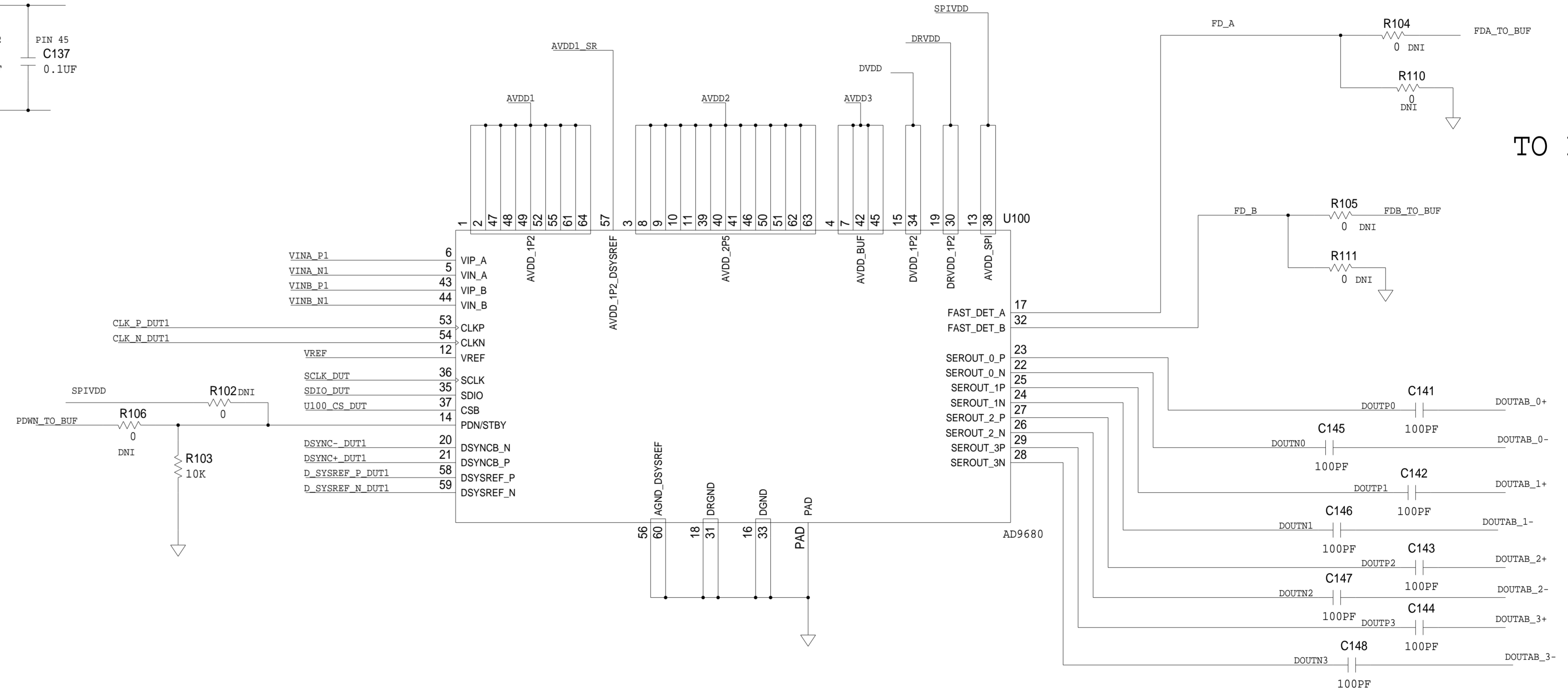
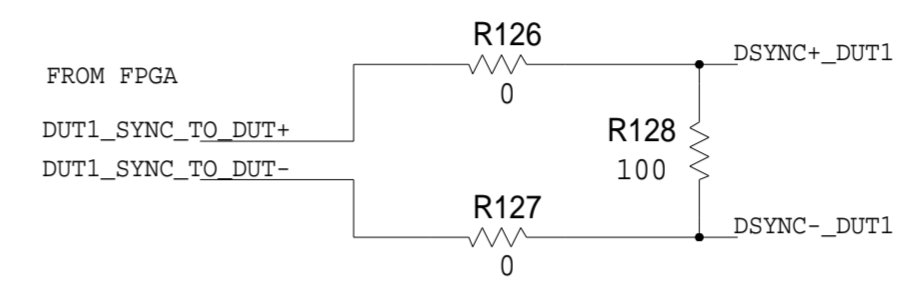
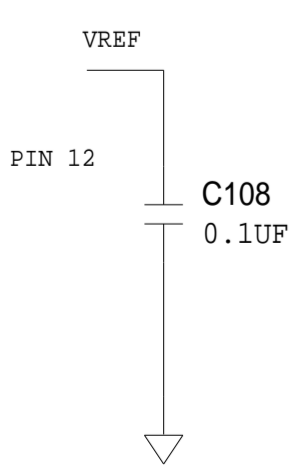
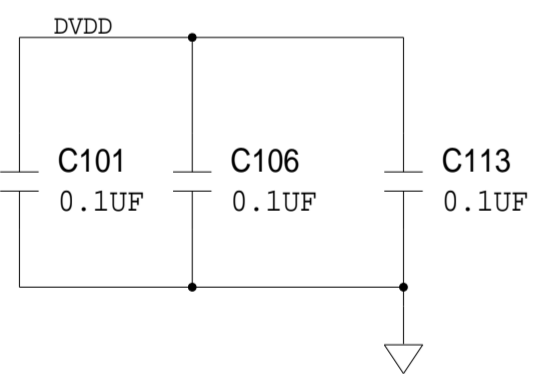
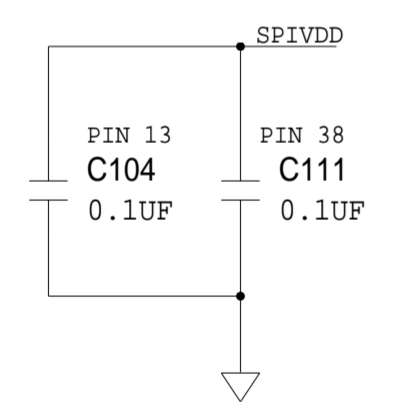
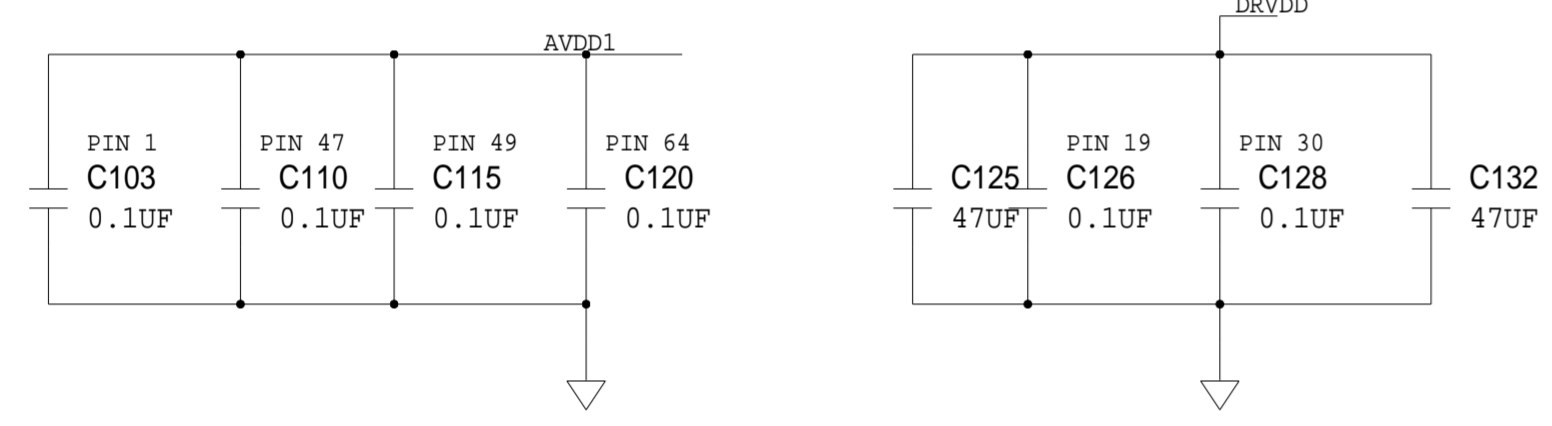
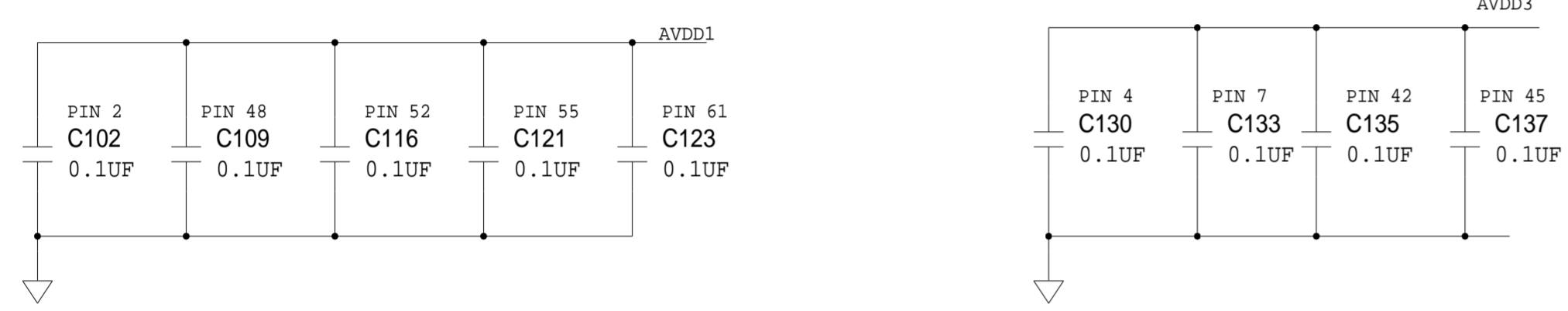
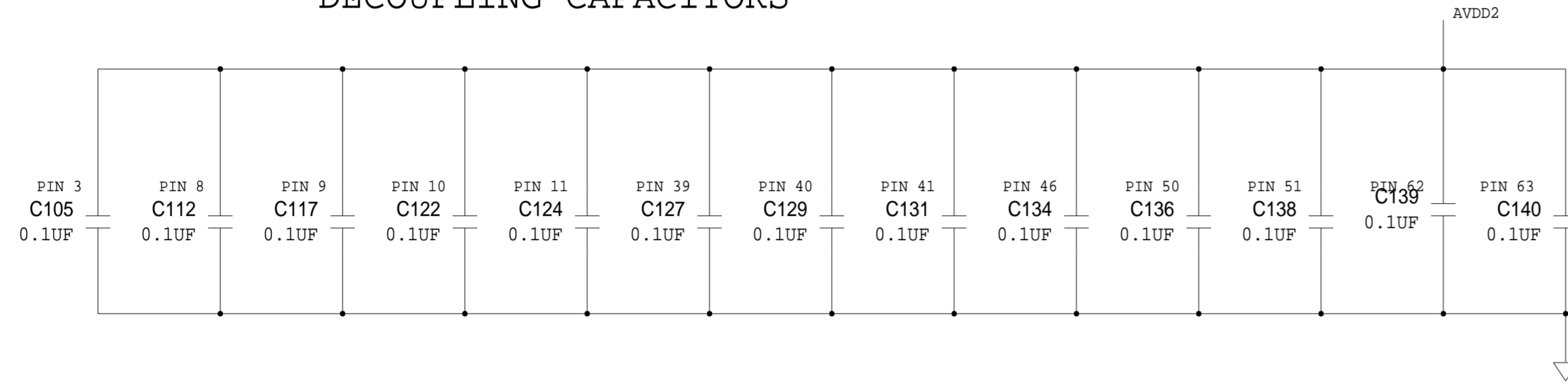


ADC CIRCUITRY AD9680 (CHA + CHB)

DSYNC

REVISIONS			
REV	DESCRIPTION	DATE	APPROVED

DECOUPLING CAPACITORS



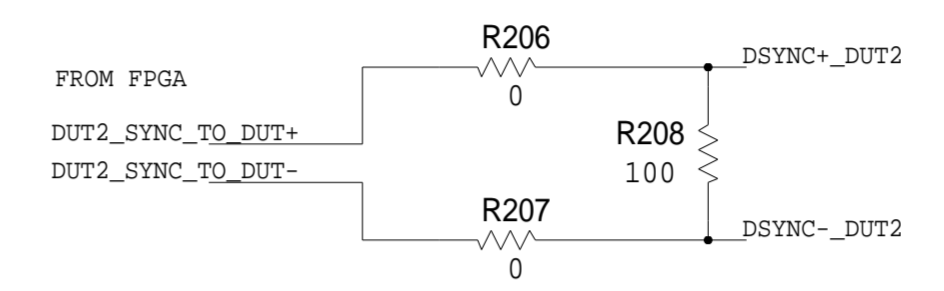
TO FMC

	SCHEMATIC		
	SKA CUSTOMER EVAL PCB		
DESIGN VIEW	DRAWING NO.		REV
-	SKA_EVAL		A
PTD ENGINEER	SIZE	SCALE	SHEET 1 OF 10
ROB REEDER	D	-	

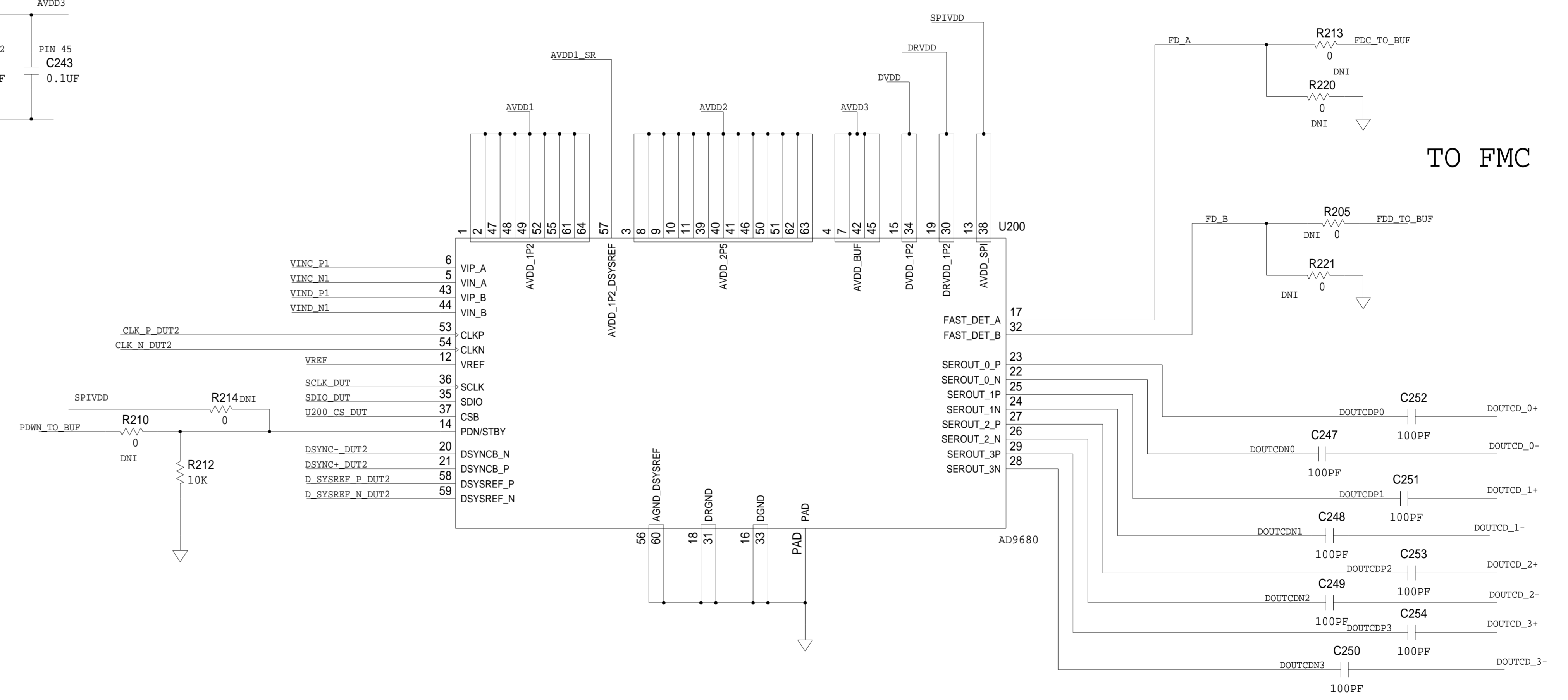
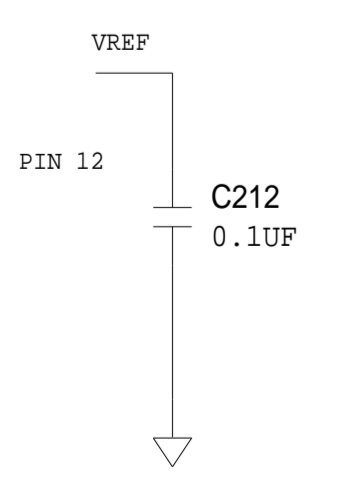
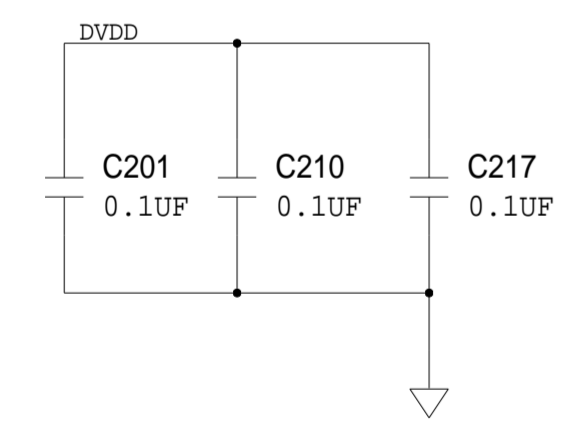
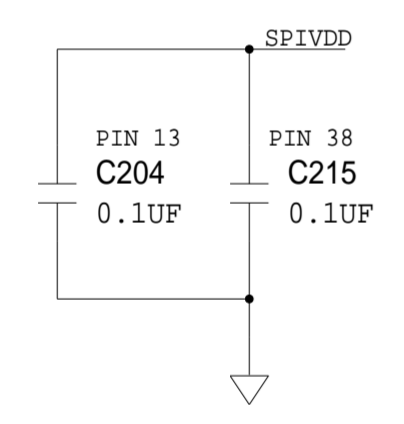
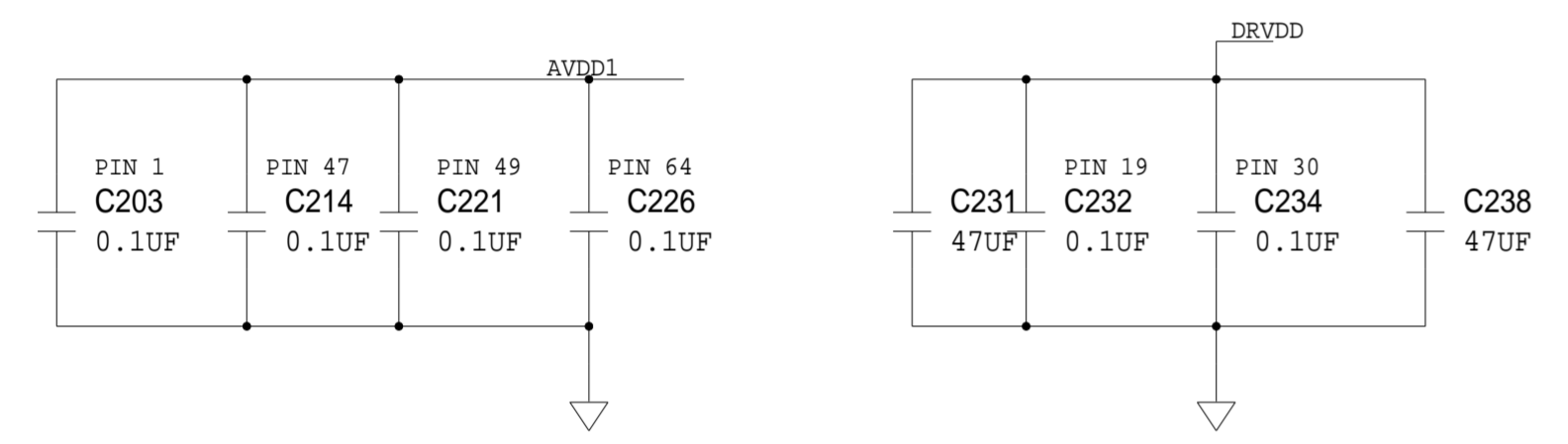
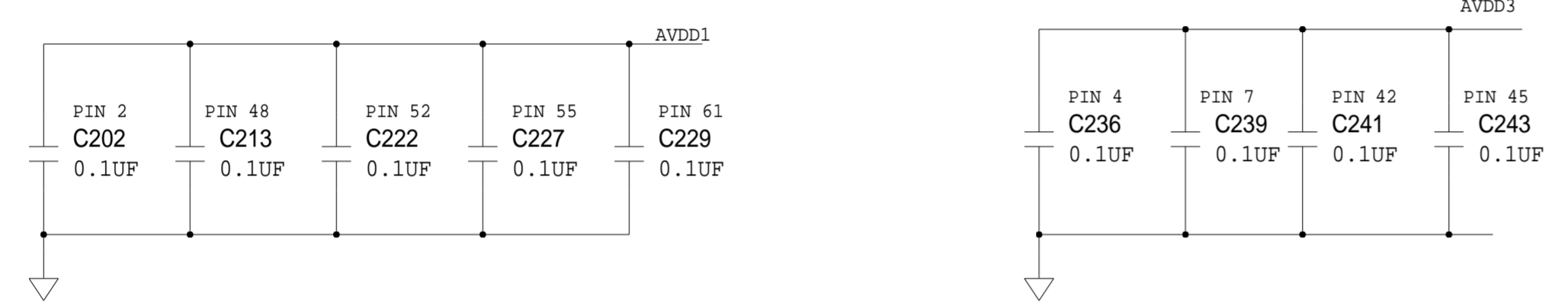
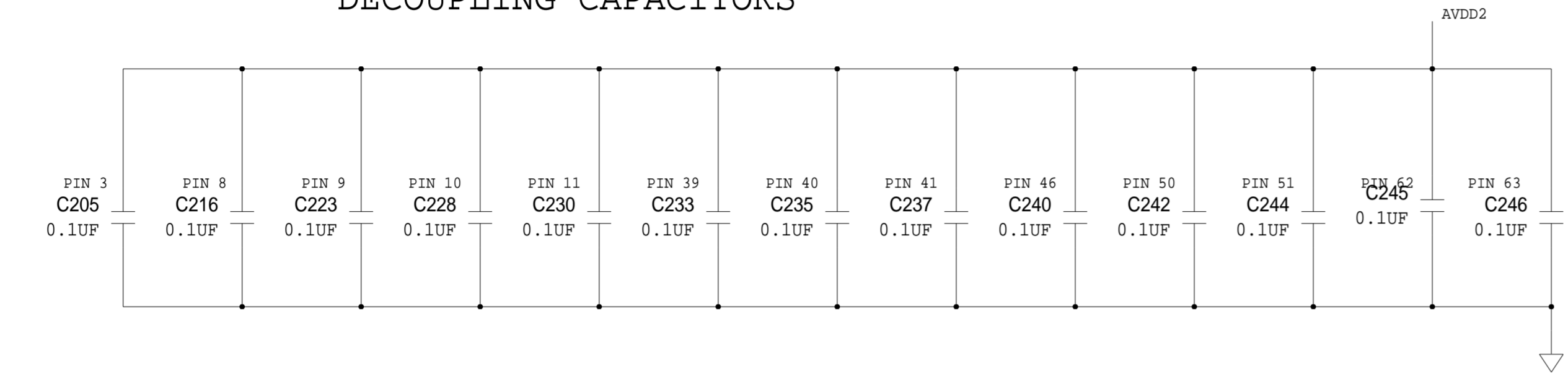
ADC CIRCUITRY AD9680 (CHC + CHD)

REVISIONS			
REV	DESCRIPTION	DATE	APPROVED

DSYNC



DECOUPLING CAPACITORS

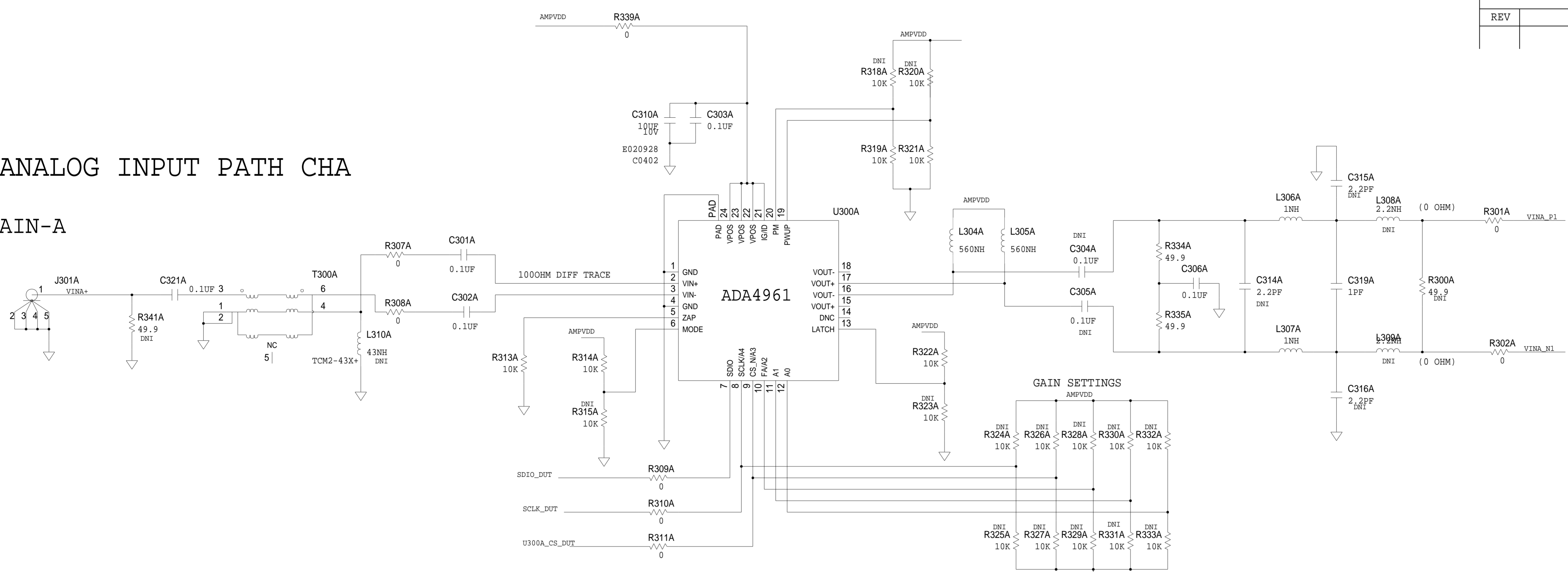


SCHEMATIC			
SKA CUSTOMER EVAL PCB			
-			
DESIGN VIEW	DRAWING NO.		REV
-	SKA_EVAL		A
PTD ENGINEER	SIZE	SCALE	SHEET 2 OF 10
ROB REEDER	D	-	

REVISIONS			
REV	DESCRIPTION	DATE	APPROVED

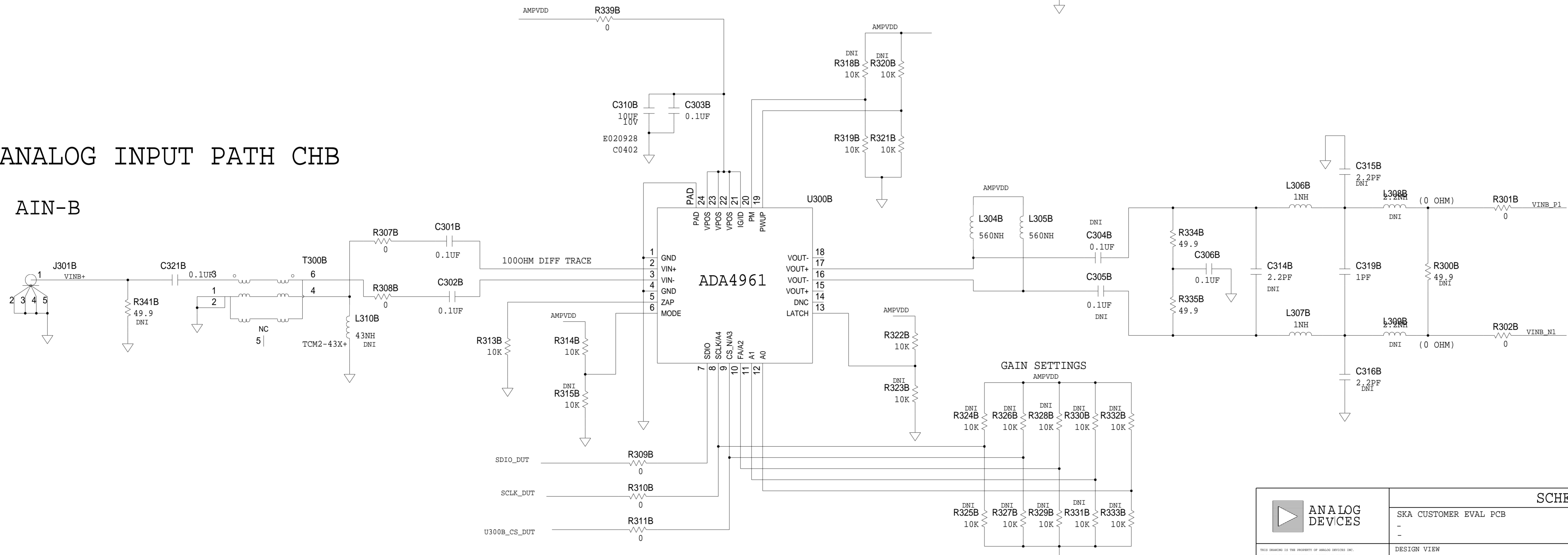
ANALOG INPUT PATH CHA

AIN-A



ANALOG INPUT PATH CHB

AIN-B

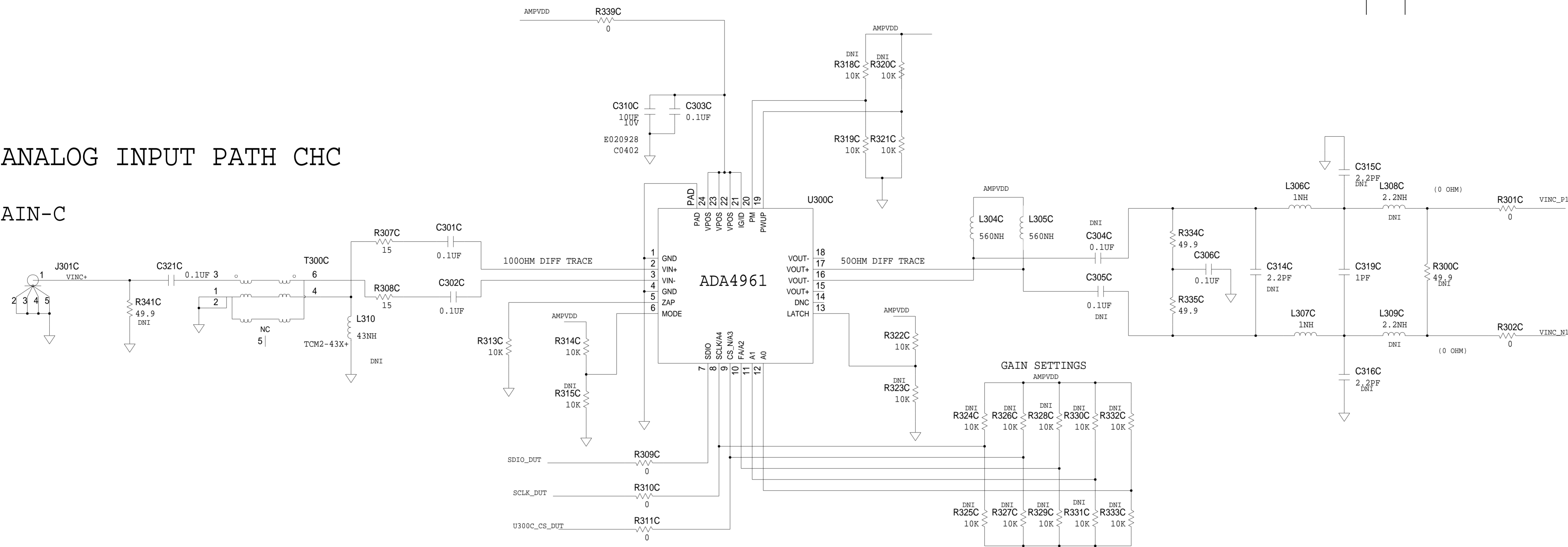


	SCHEMATIC		
	SKA CUSTOMER EVAL PCB		
	DESIGN VIEW	DRAWING NO.	REV
FTD ENGINEER	SKA_EVAL	A	
ROB REEDER	SIZE	SCALE	SHEET 3 OF 10
	D	-	

REVISIONS			
REV	DESCRIPTION	DATE	APPROVED

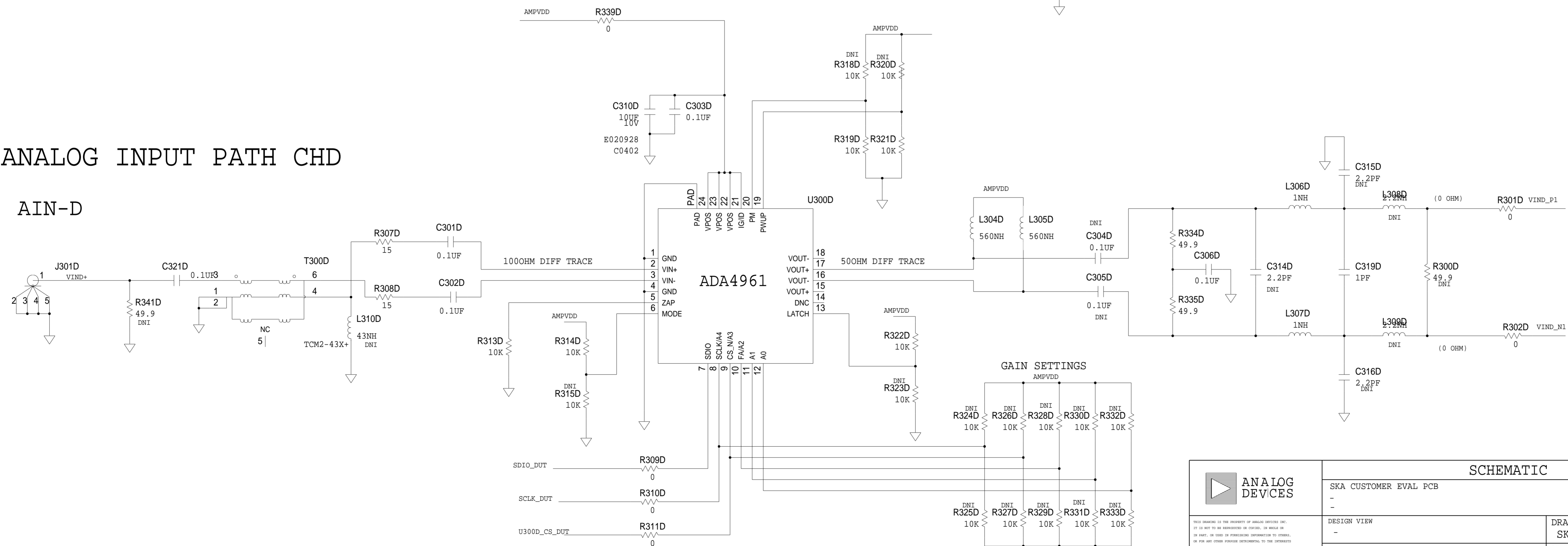
ANALOG INPUT PATH CHC

AIN-C



ANALOG INPUT PATH CHD

AIN-D

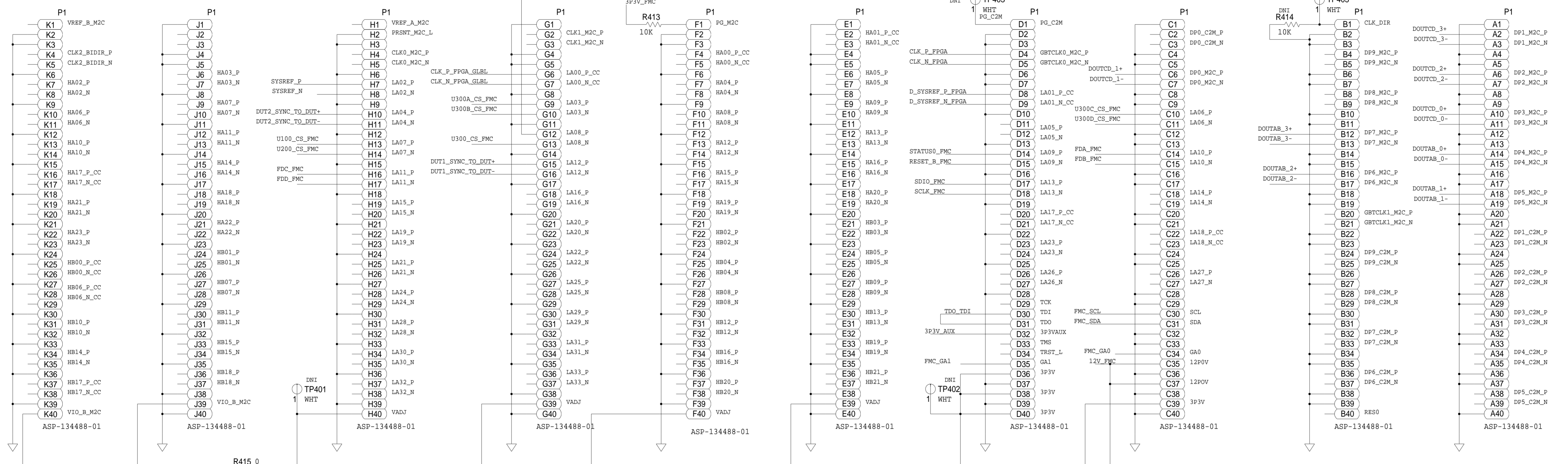
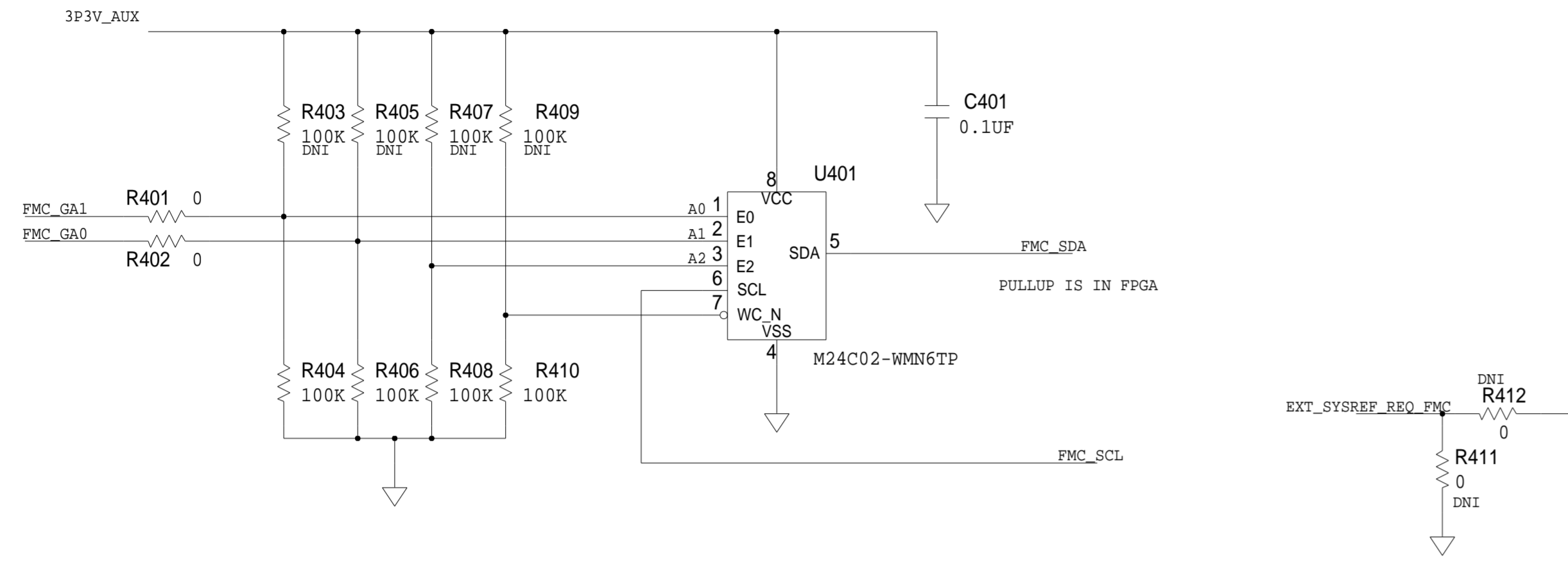


	SCHEMATIC		
	SKA CUSTOMER EVAL PCB		
	DESIGN VIEW	DRAWING NO.	REV
	PTD ENGINEER	SKA_EVAL	A
ROB REEDER	SIZE	SCALE	SHEET 4 OF 10
	D	-	

REVISIONS			
REV	DESCRIPTION	DATE	APPROVED

FMC CONNECTIONS

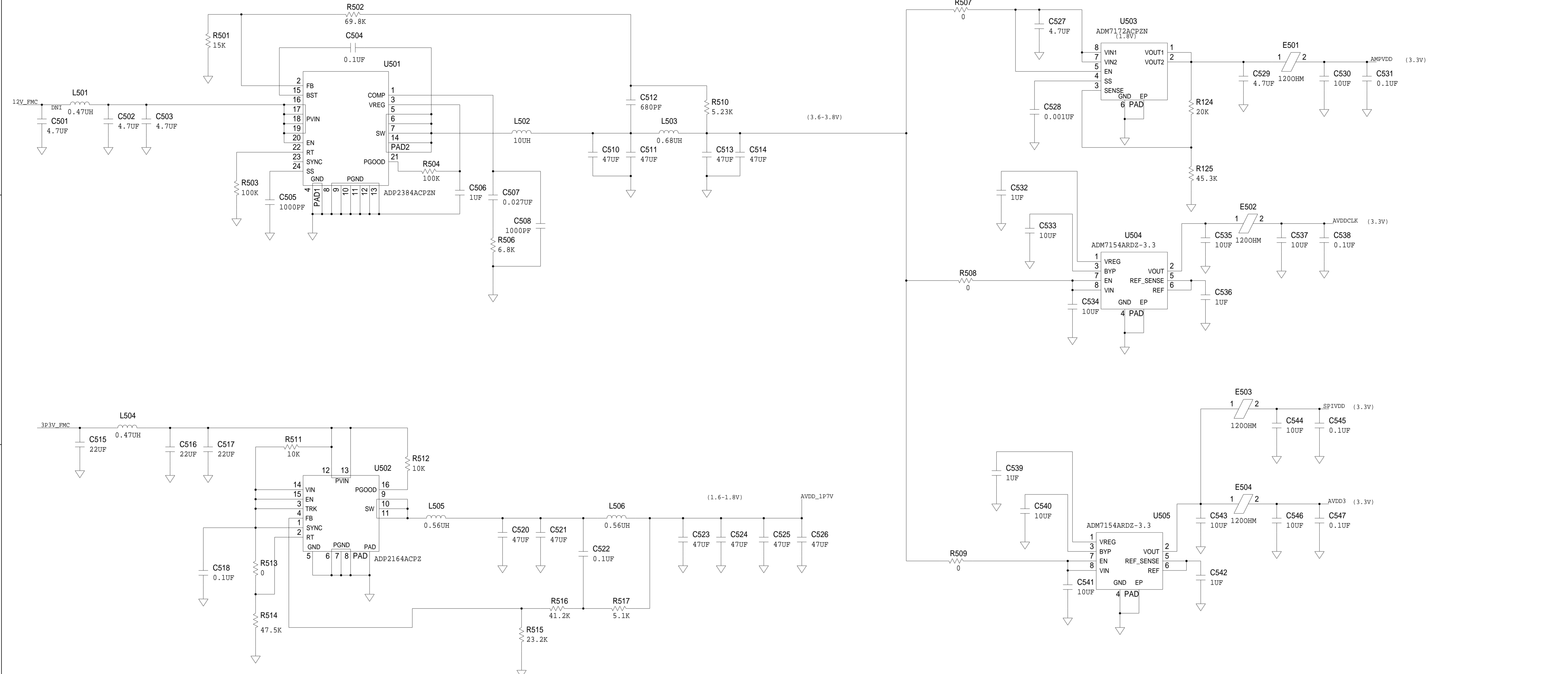
EEPROM - BOARD ID



	SCHEMATIC		
	SKA CUSTOMER EVAL PCB		
DESIGN VIEW	DRAWING NO.		REV
-	SKA_EVAL		A
PTD ENGINEER	SIZE	SCALE	SHEET 5 OF 10
ROB REEDER	D	-	

POWER SUPPLY CIRCUITRY

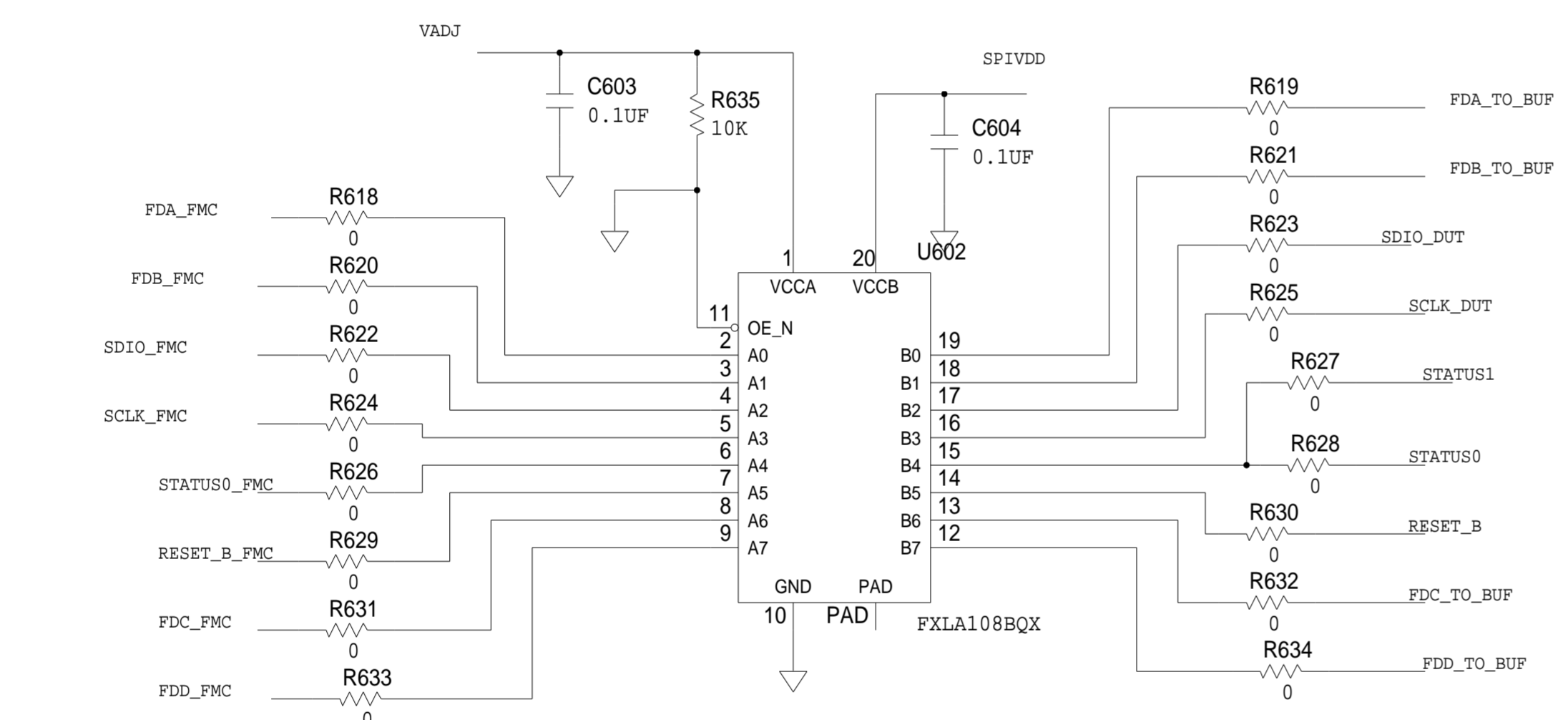
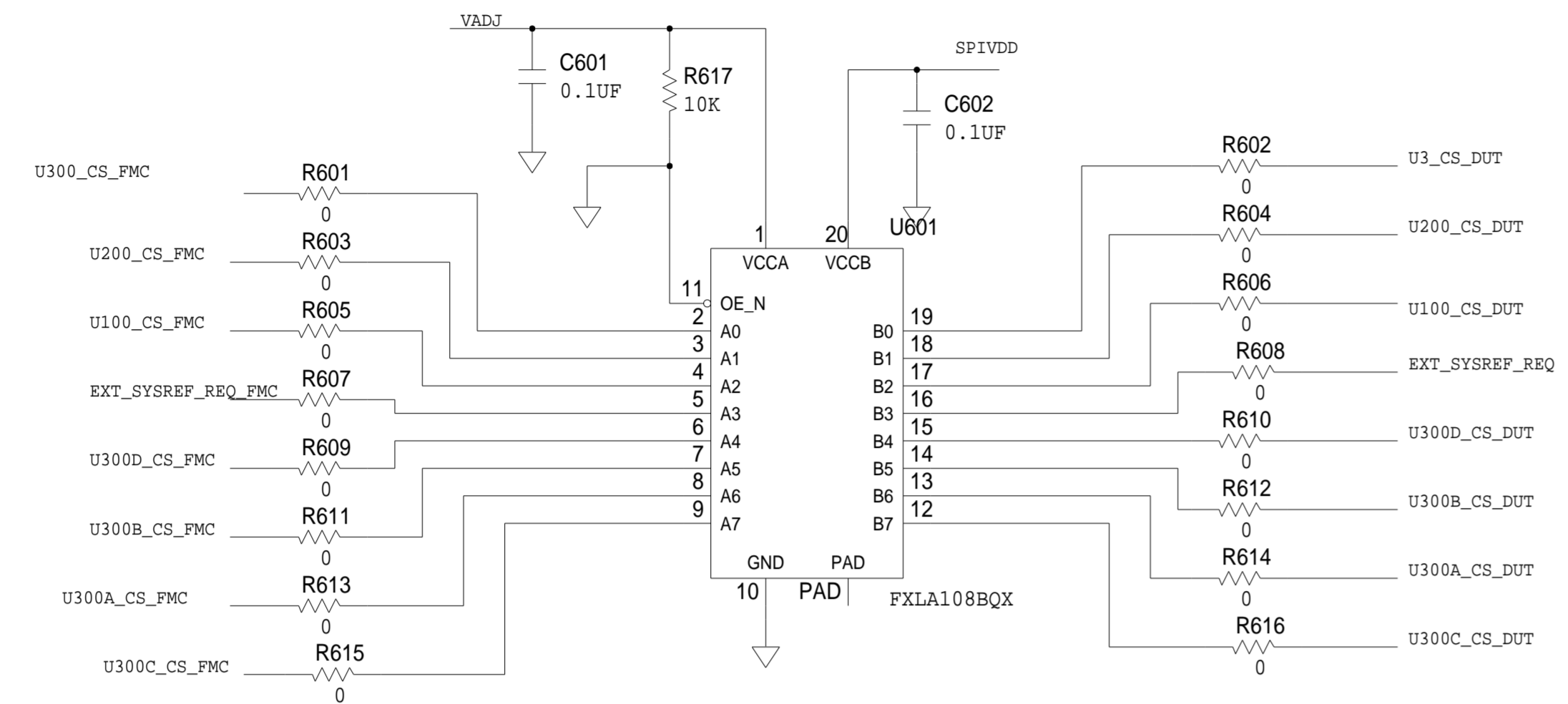
REVISIONS			
REV	DESCRIPTION	DATE	APPROVED



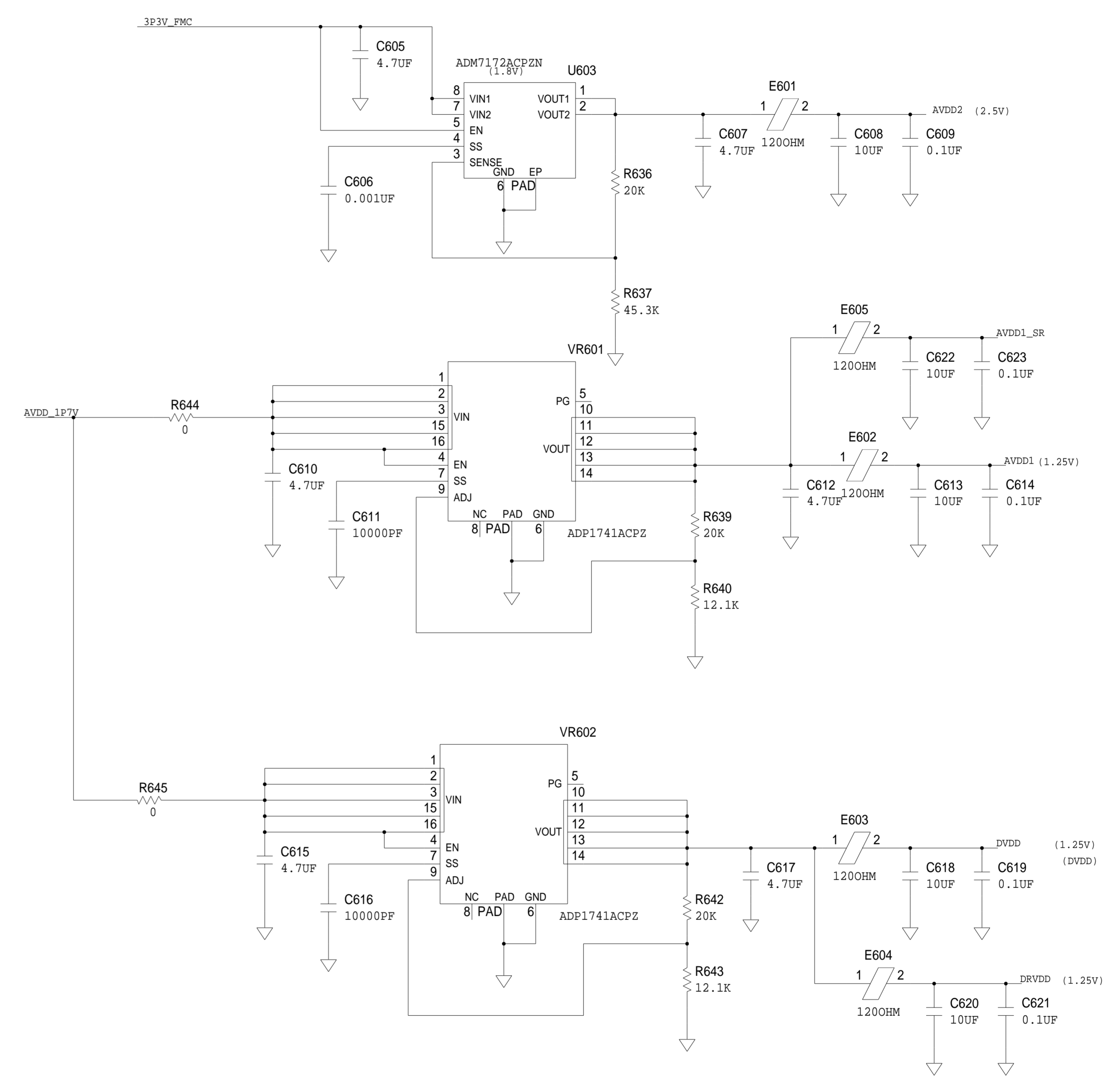
	SCHEMATIC		
	SKA CUSTOMER EVAL PCB		
	DESIGN VIEW	DRAWING NO.	REV
	PTD ENGINEER	SKA_EVAL	A
ROB REEDER	SIZE	SCALE	SHEET 6 OF 10
	D	-	

REVISIONS			
REV	DESCRIPTION	DATE	APPROVED

LEVEL TRANSLATORS

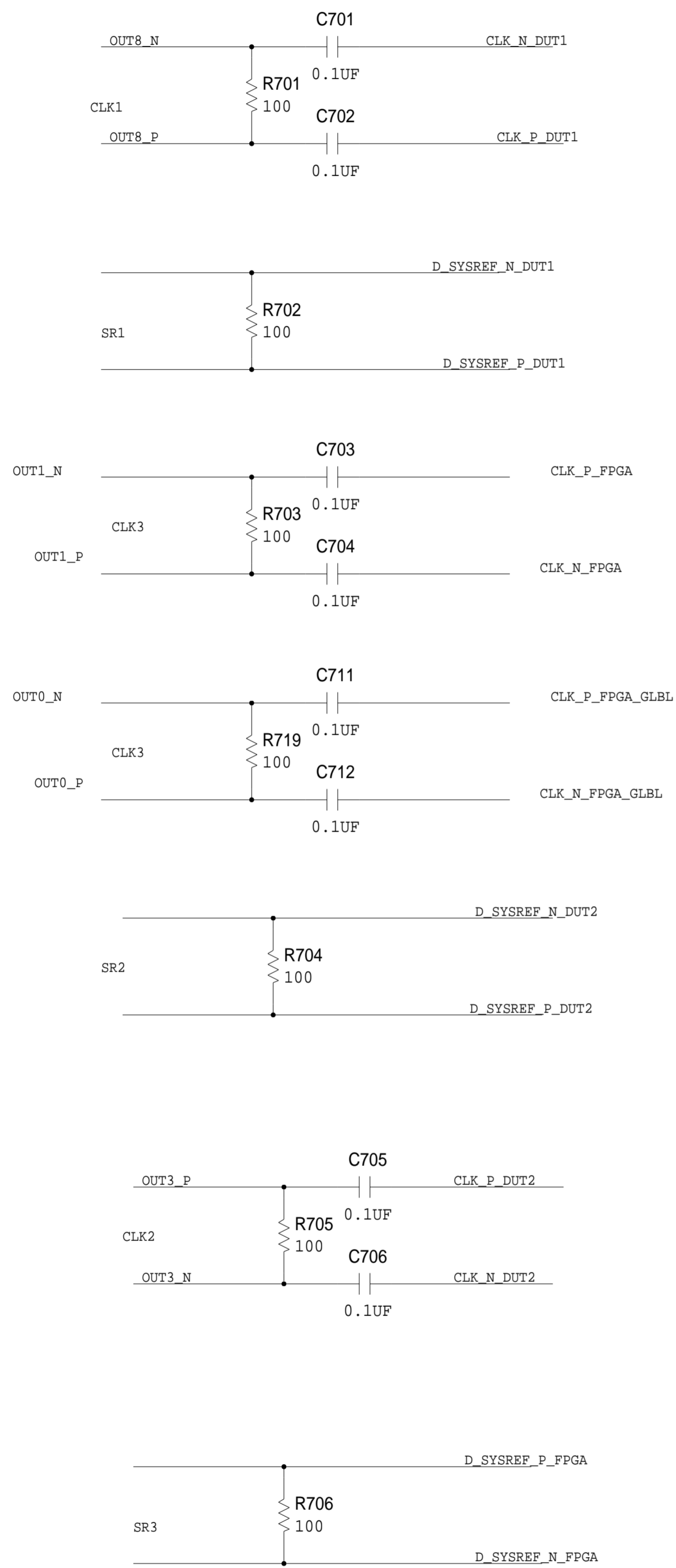


POWER SUPPLY CONT.

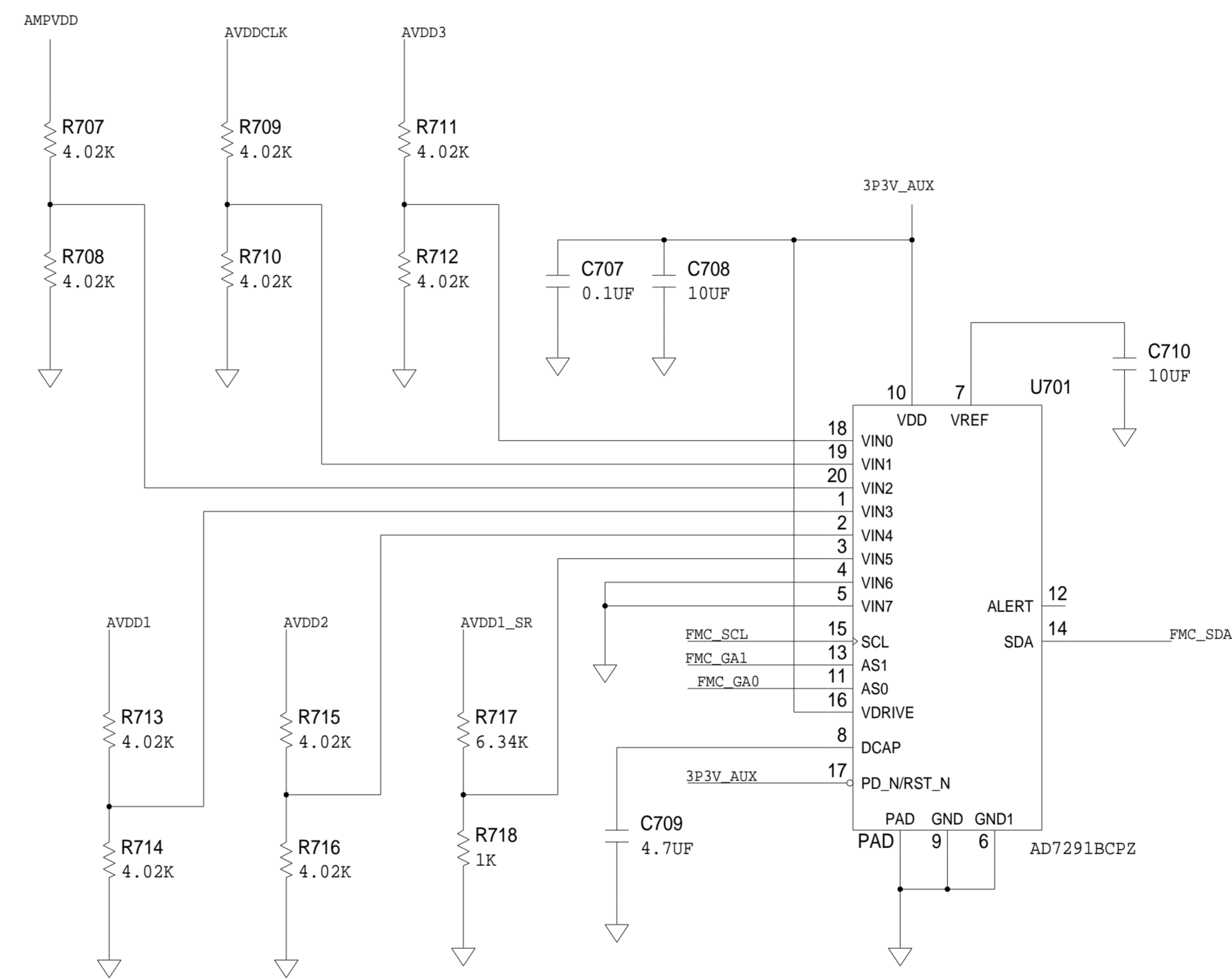


	SCHEMATIC		
	SKA CUSTOMER EVAL PCB		
	DESIGN VIEW	DRAWING NO.	REV
	PTD ENGINEER	SKA_EVAL	A
ROB REEDER	SIZE	SCALE	SHEET 7 OF 10
	D	-	

CLOCK OUTPUT CONNECTIONS



VOLTAGE MONITOR CIRCUIT



REVISIONS

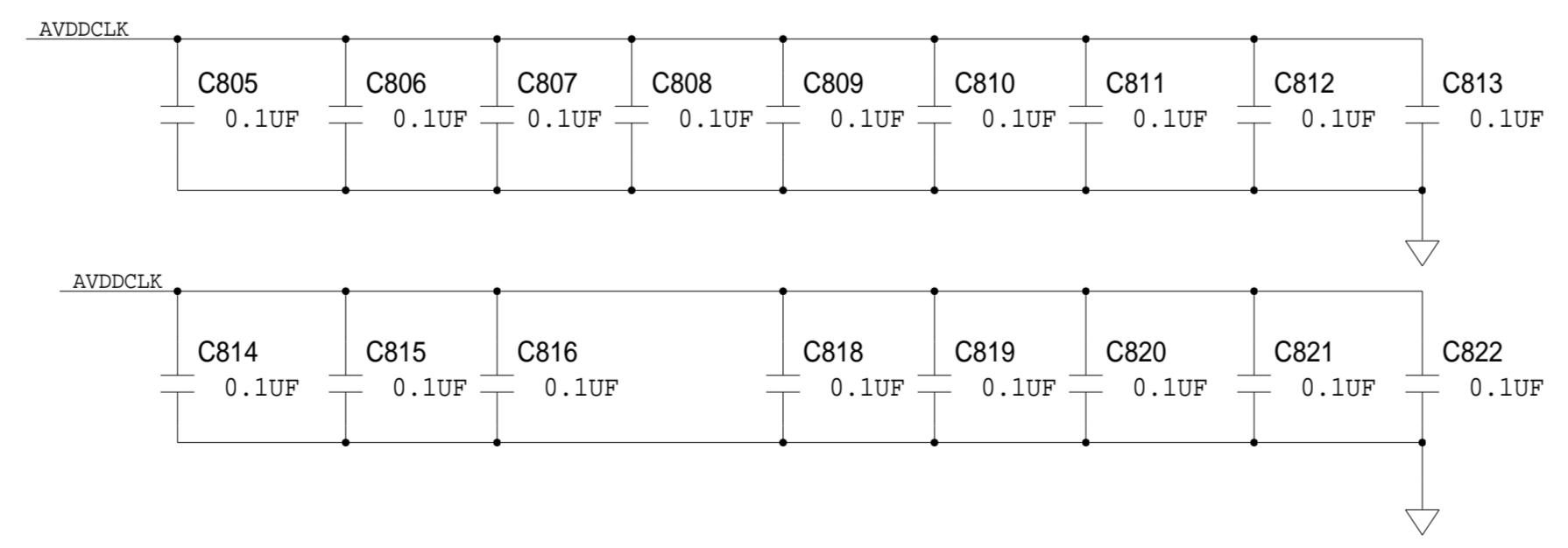
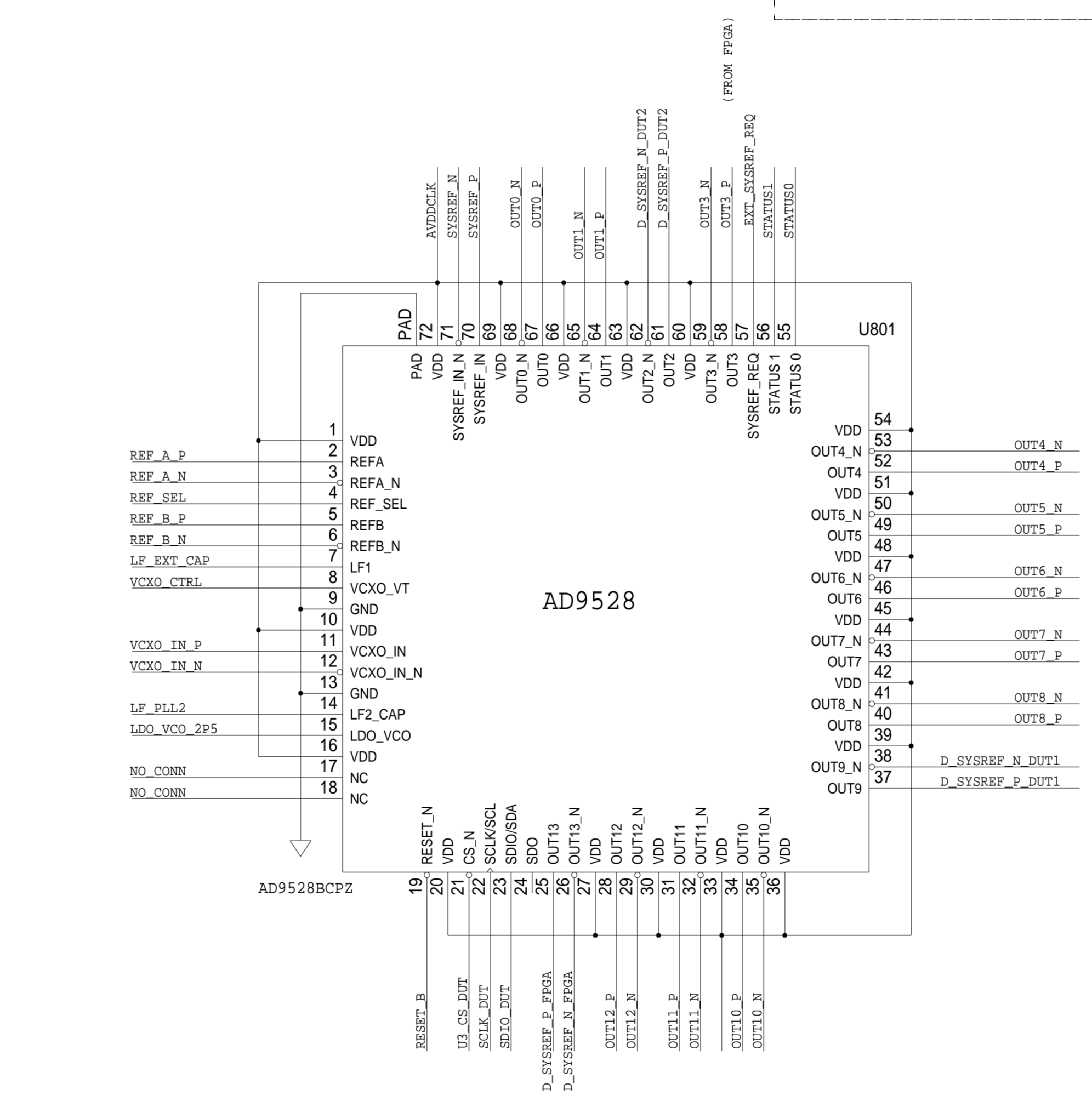
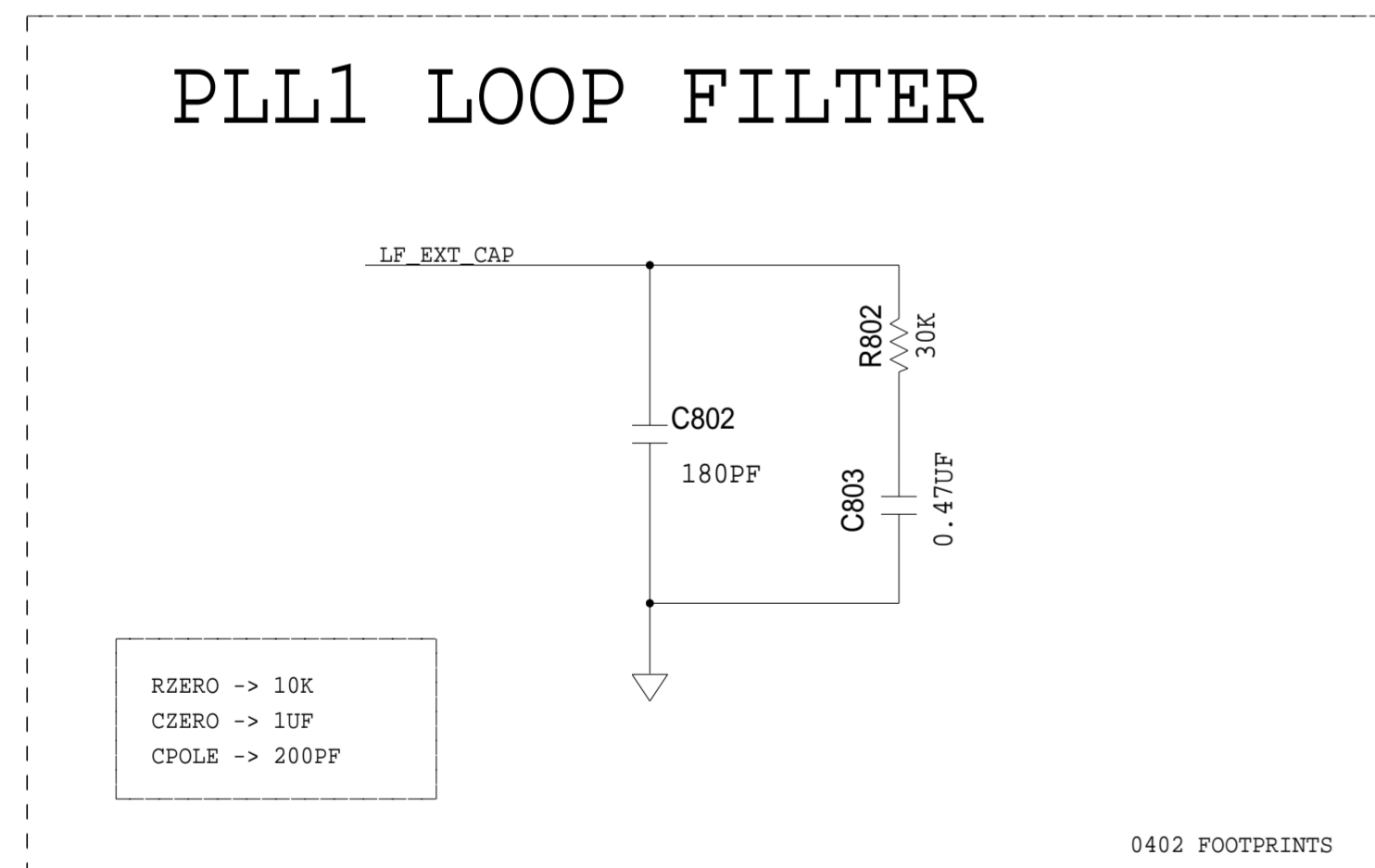
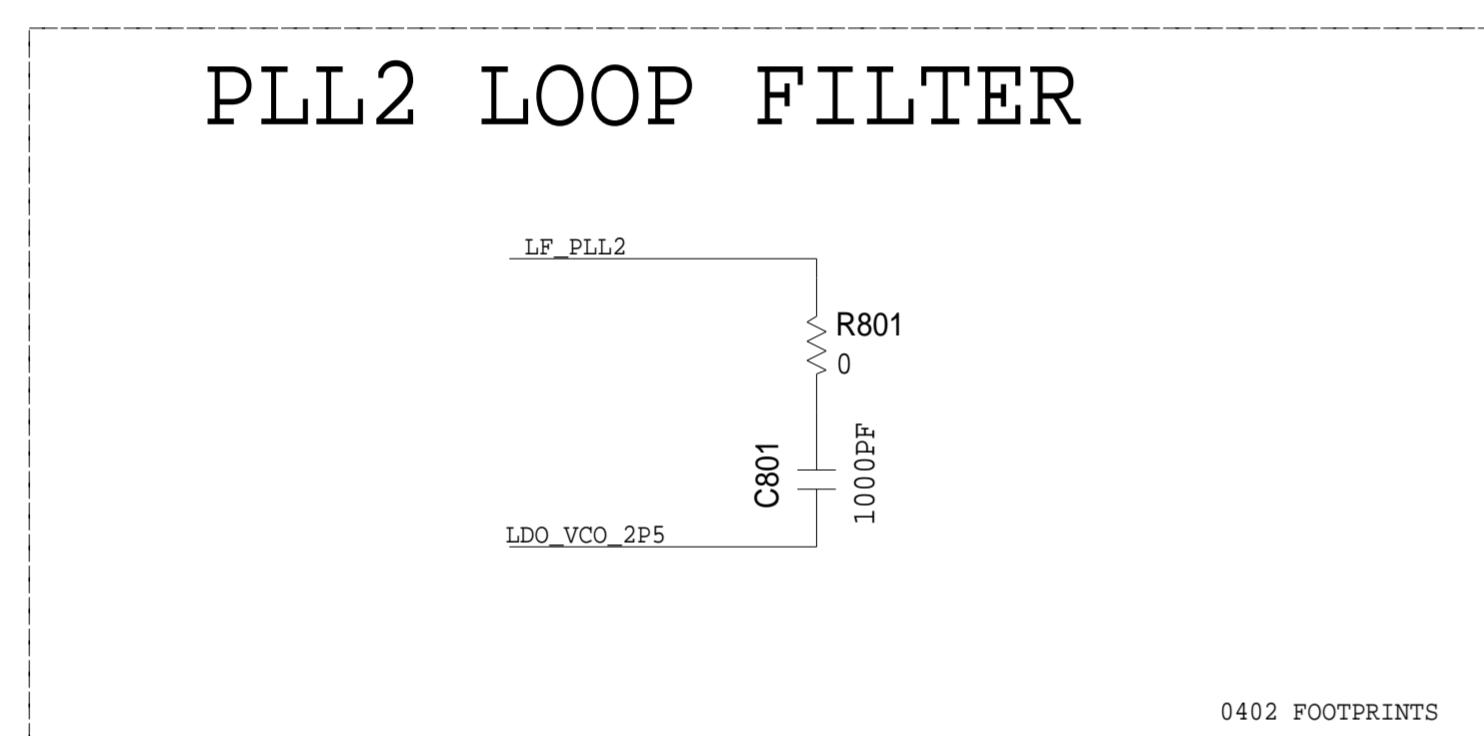
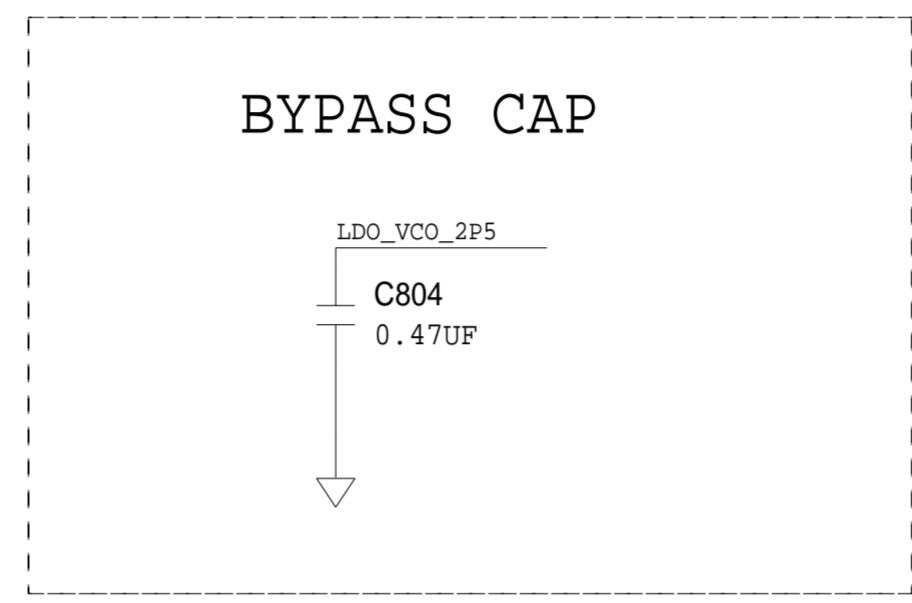
REV	DESCRIPTION	DATE	APPROVED

	SCHEMATIC		
	SKA CUSTOMER EVAL PCB		
	DESIGN VIEW	DRAWING NO.	REV
-	SKA_EVAL	A	
PTD ENGINEER	SIZE	SCALE	SHEET 8 OF 10
ROB REEDER	D	-	

REVISIONS			
REV	DESCRIPTION	DATE	APPROVED

CLOCK CIRCUITRY (AD9528 AND POWER SUPPLY FILTERING)

	V (V)	I (MA)
AVDDCLK_OUT0	3.3	?
AVDDCLK_OUT1	3.3	?
AVDDCLK_OUT2	3.3	?
AVDDCLK_OUT3	3.3	?
AVDDCLK_OUT4	3.3	?
AVDDCLK_OUT5	3.3	?
AVDDCLK_OUT6	3.3	?
AVDDCLK_OUT7	3.3	?
AVDDCLK_OUT8	3.3	?
AVDDCLK_OUT9	3.3	?
AVDDCLK_OUT10	3.3	?
AVDDCLK_OUT11	3.3	?
AVDDCLK_OUT12	3.3	?
AVDDCLK_OUT13	3.3	?
AVDDCLK_PLL1_IN	3.3	?
AVDDCLK_PLL2_IN	3.3	?
AVDDCLK_PLL2_OUT	3.3	?
AVDDCLK_VCO	3.3	?



	SCHEMATIC		
	SKA CUSTOMER EVAL PCB		
	DESIGN VIEW	DRAWING NO.	REV
	PTD ENGINEER	SKA_EVAL	A
ROB REEDER	SIZE	SCALE	SHEET 9 OF 10
	D	-	

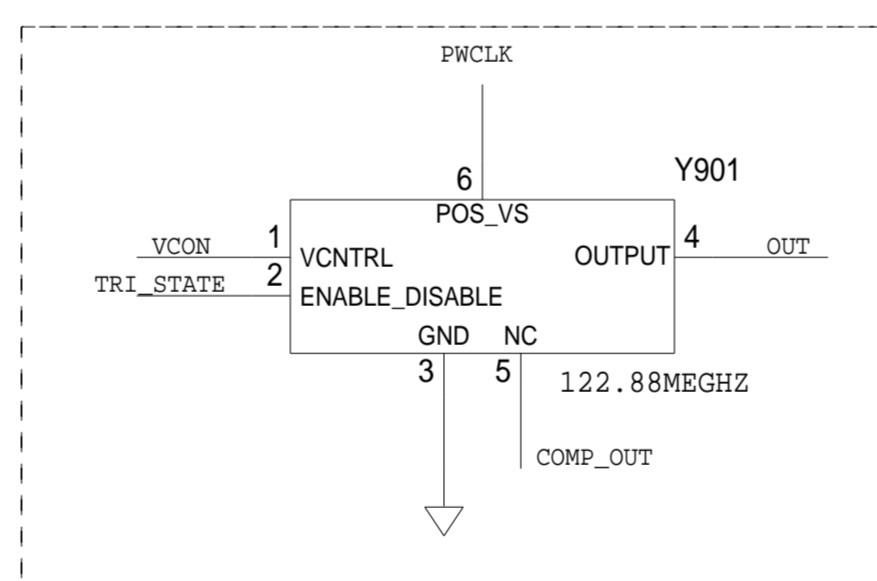
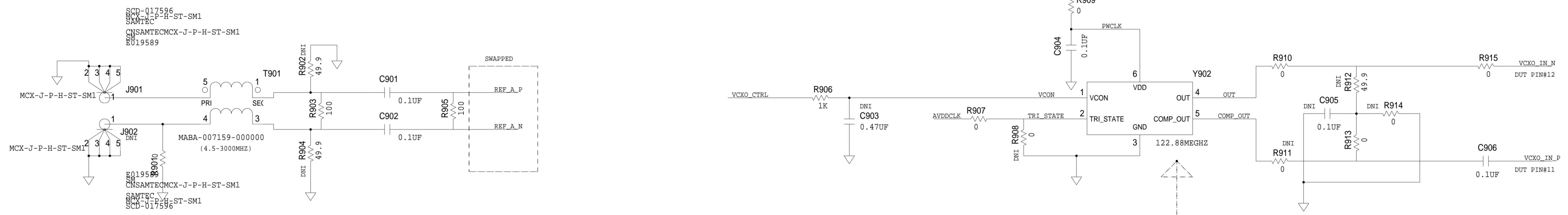
REVISIONS			
REV	DESCRIPTION	DATE	APPROVED

CLOCK CIRCUITRY CONT.

EXTERNAL VCXO INPUT (122.88MHZ)

REFERENCE INPUT

VCXO PN	FREQ	VDD (V)
CVHD-950 VCXO		3.3



	SCHEMATIC		
	SKA CUSTOMER EVAL PCB		
	DESIGN VIEW	DRAWING NO.	REV
	PTD ENGINEER	SKA_EVAL	A
ROB REEDER	SIZE	SCALE	SHEET 10 OF 10
	D	-	