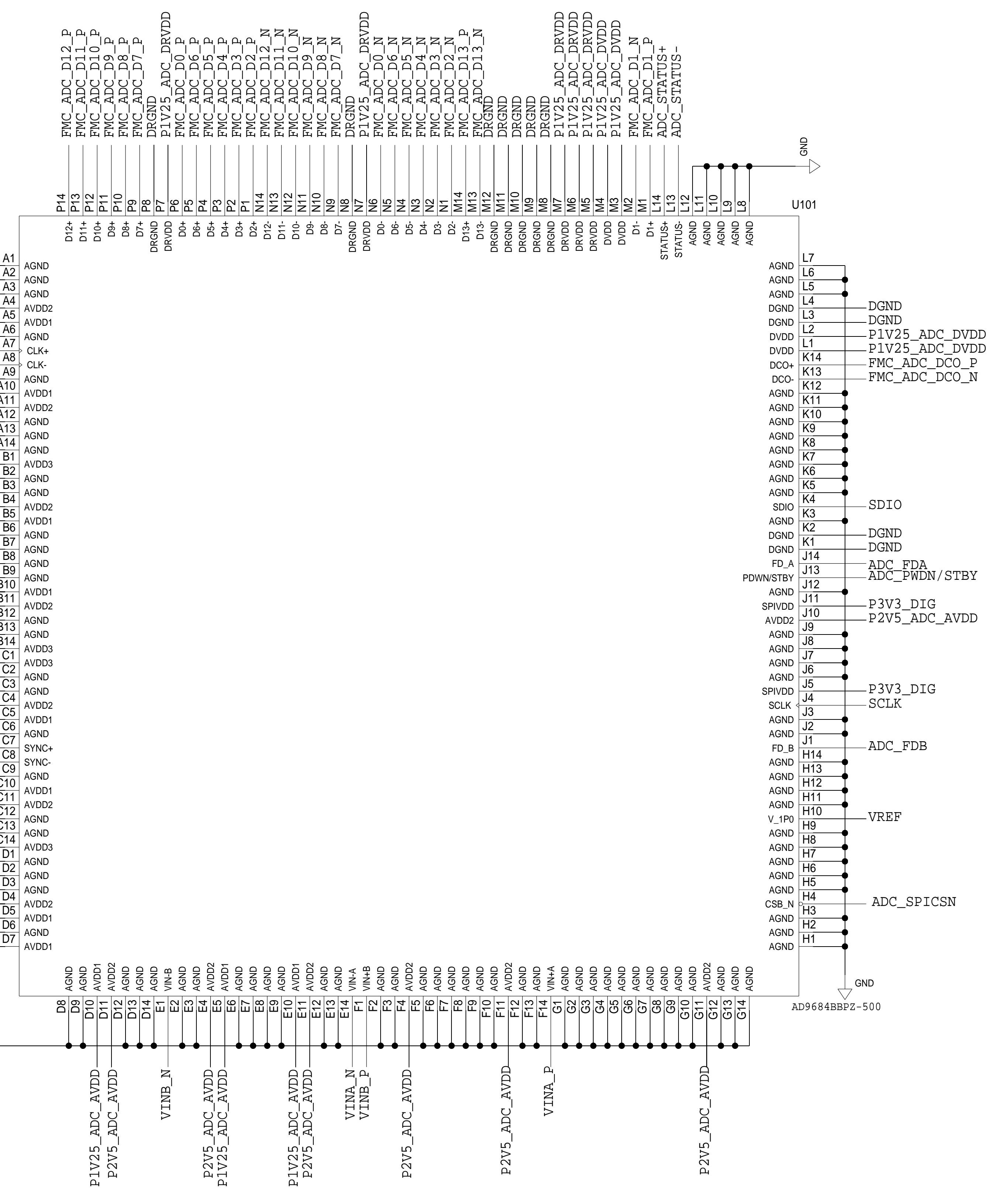
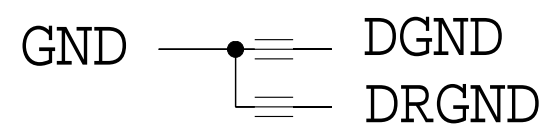
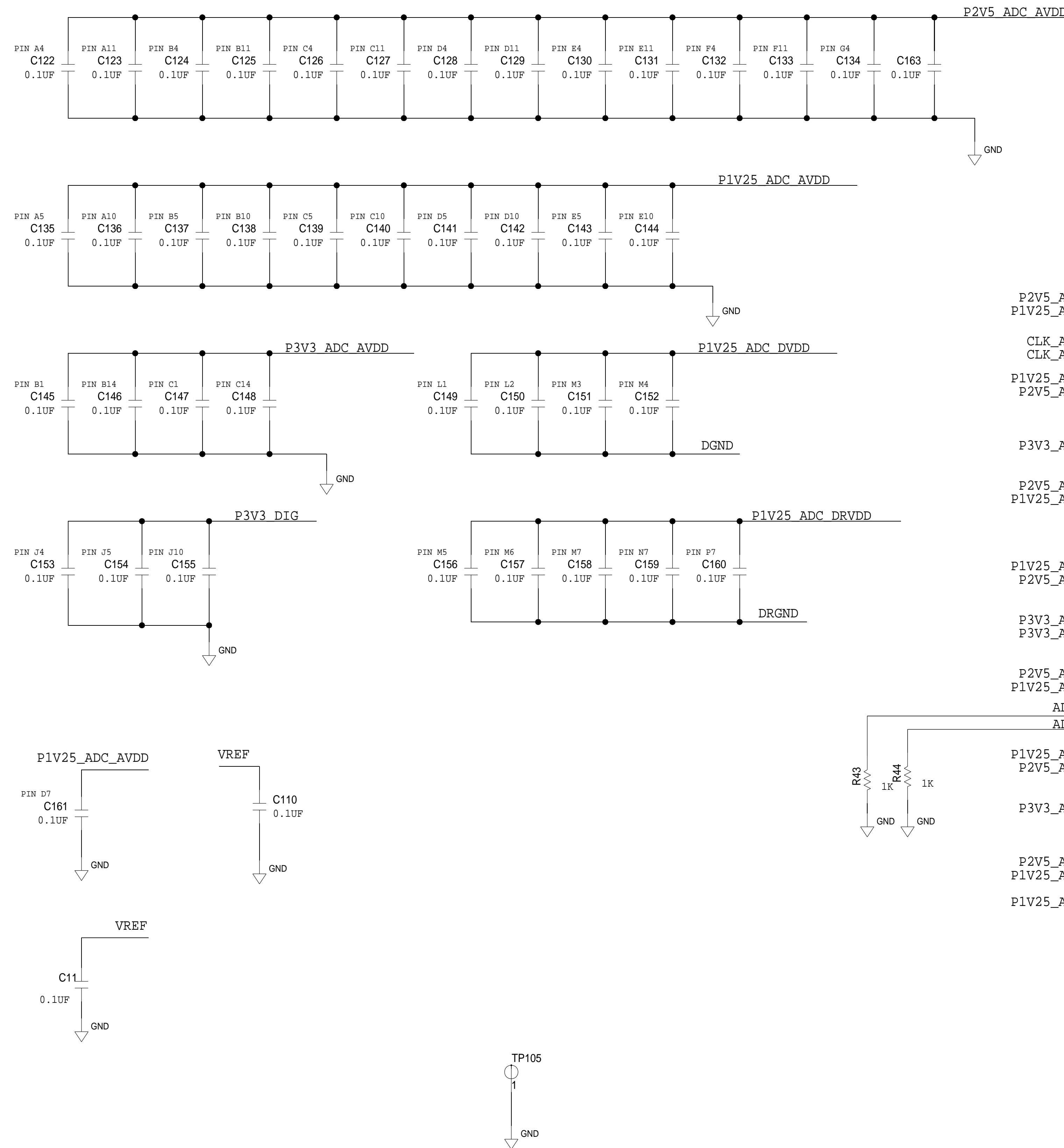




# AD9684 DUT

REVISIONS			
REV	DESCRIPTION	DATE	APPROVED

## DECOUPLING CAPACITORS



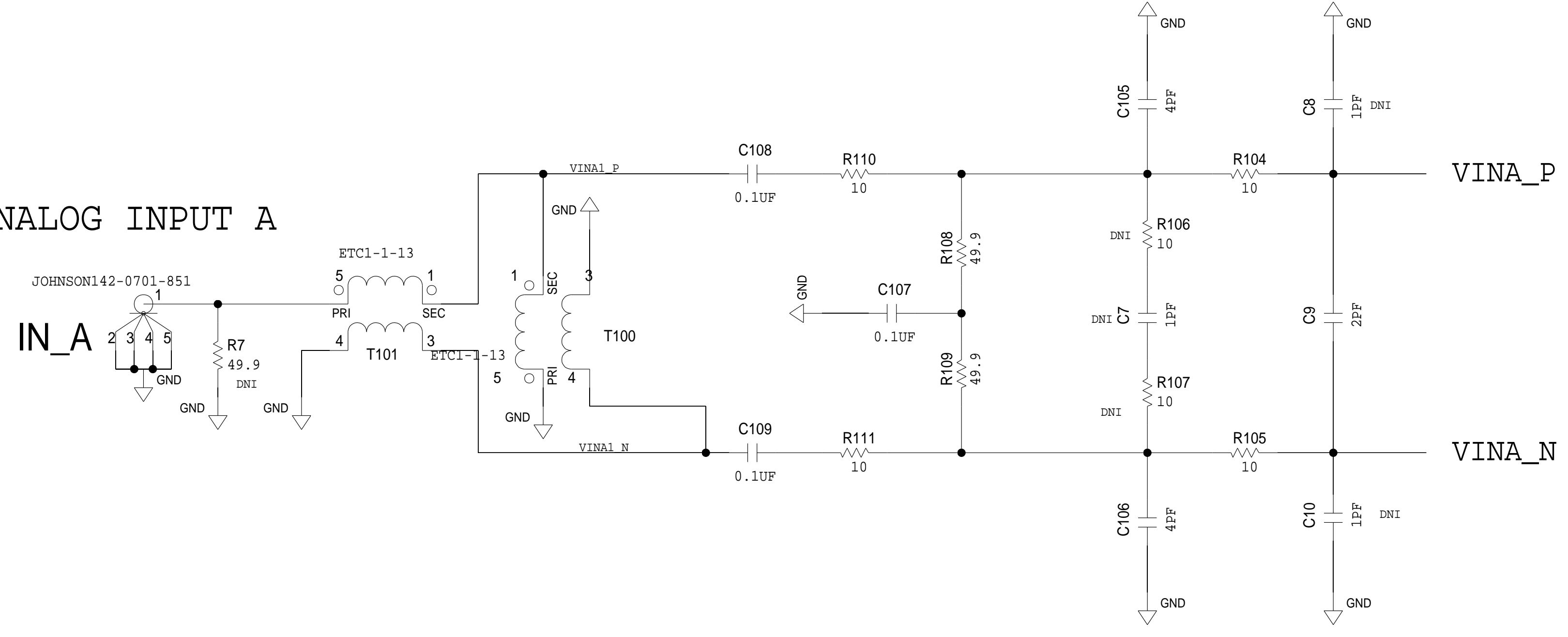
SCHEMATIC			
HW TYPE : CUSTOMER EVAL BOARD (HIGH-SPEED FMC DSP KIT 1) Product(s) : AD9684 <PRODUCT_1>			
DESIGN VIEW	DRAWING NO.		REV
<DESIGN_VIEW>	02_036095		B
PTD ENGINEER	SIZE	SCALE	SHEET 2 OF 9
N Wilson	D	1:1	

ANALOG DEVICES

THIS DRAWING IS THE PROPERTY OF ANALOG DEVICES INC. IT IS NOT TO BE REPRODUCED OR COPIED, IN WHOLE OR IN PART, OR USED IN FURNISHING INFORMATION TO OTHERS, OR FOR ANY OTHER PURPOSE DETRIMENTAL TO THE INTERESTS OF ANALOG DEVICES. THE EQUIPMENT SHOWN HEREIN MAY BE PROTECTED BY PATENTS OWNED OR CONTROLLED BY ANALOG DEVICES.

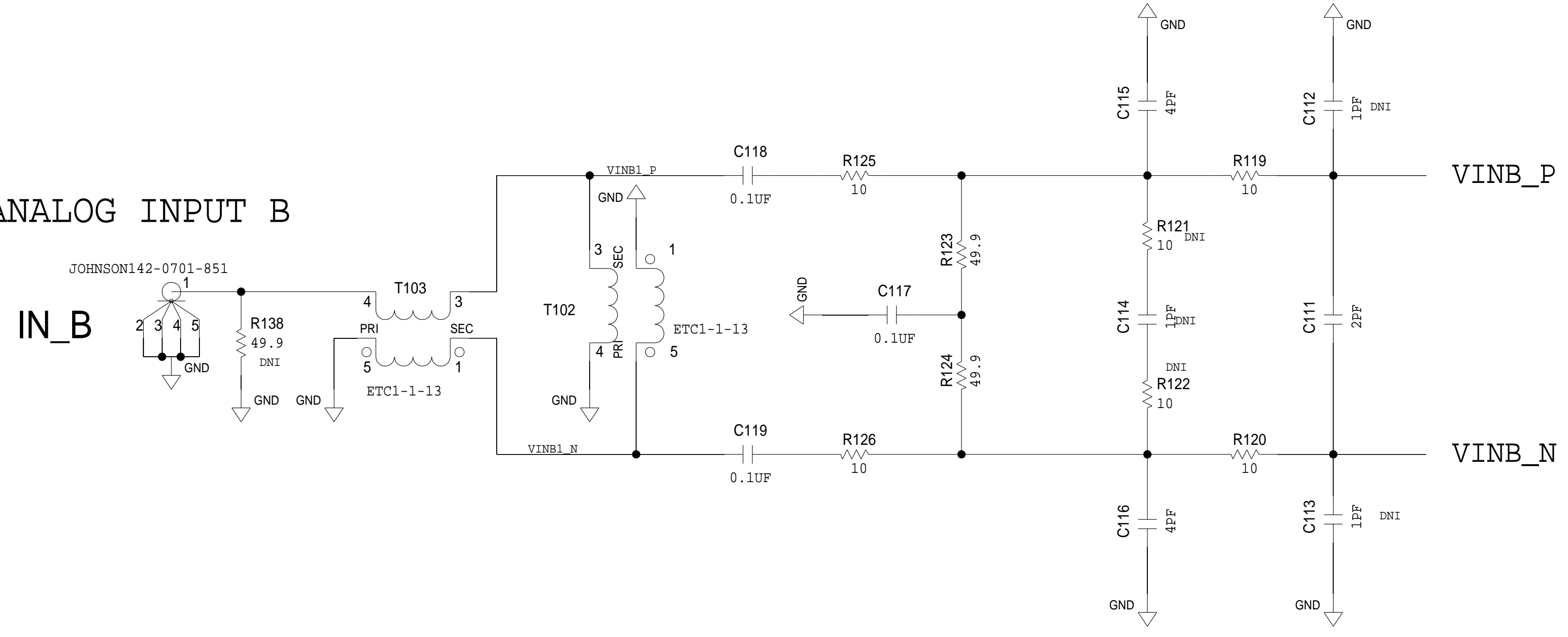
REVISIONS			
REV	DESCRIPTION	DATE	APPROVED

ANALOG INPUT A



PLACE 10 OHM SERIES R CLOSE TO DIFF C AND CLOSE TO DUT

ANALOG INPUT B

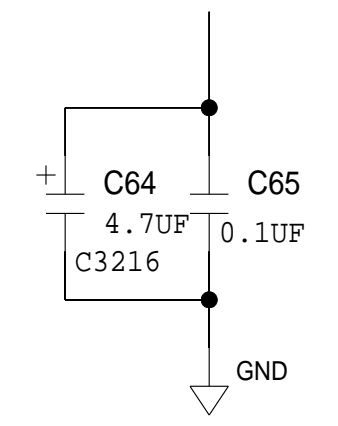
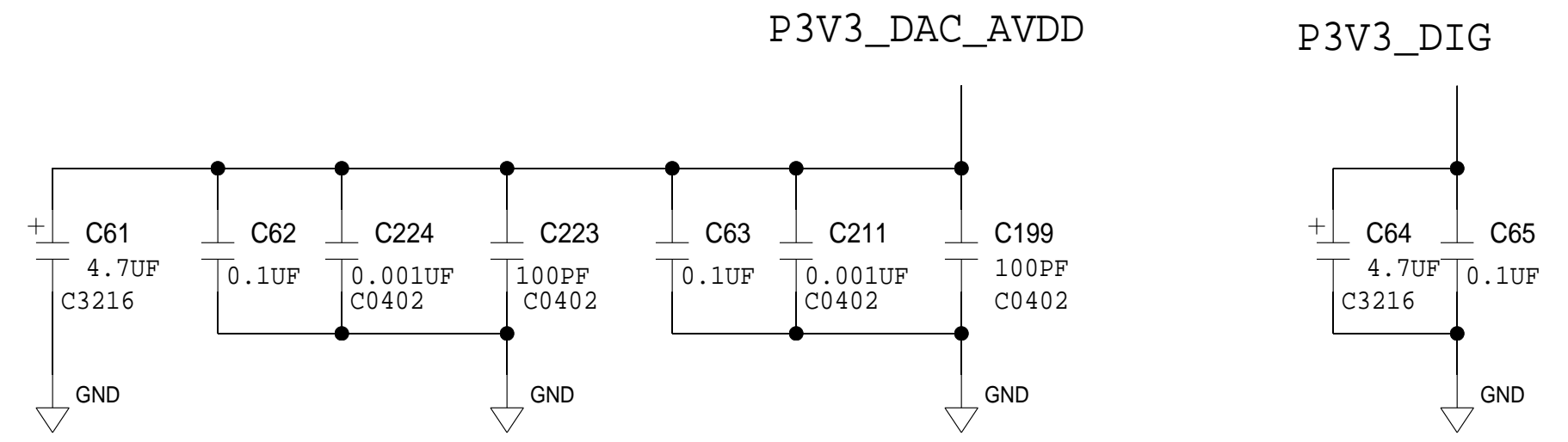
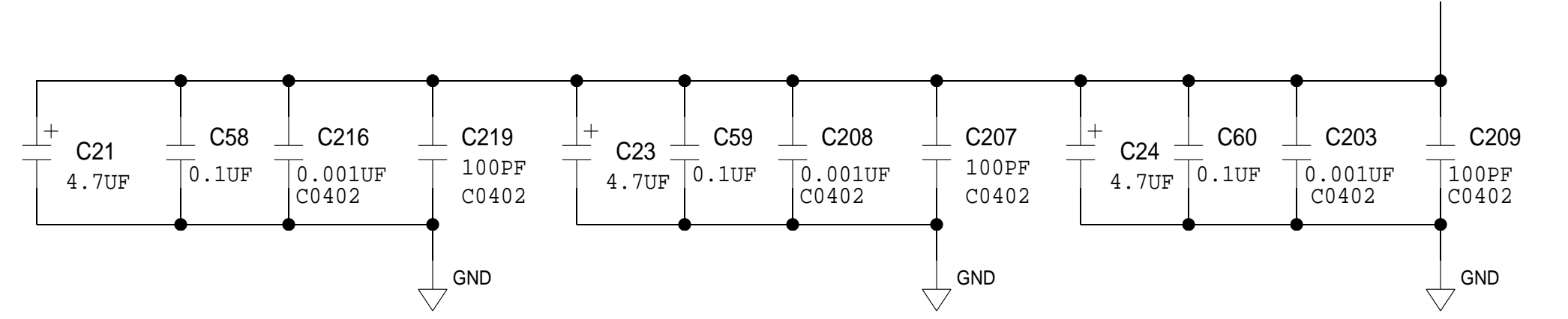
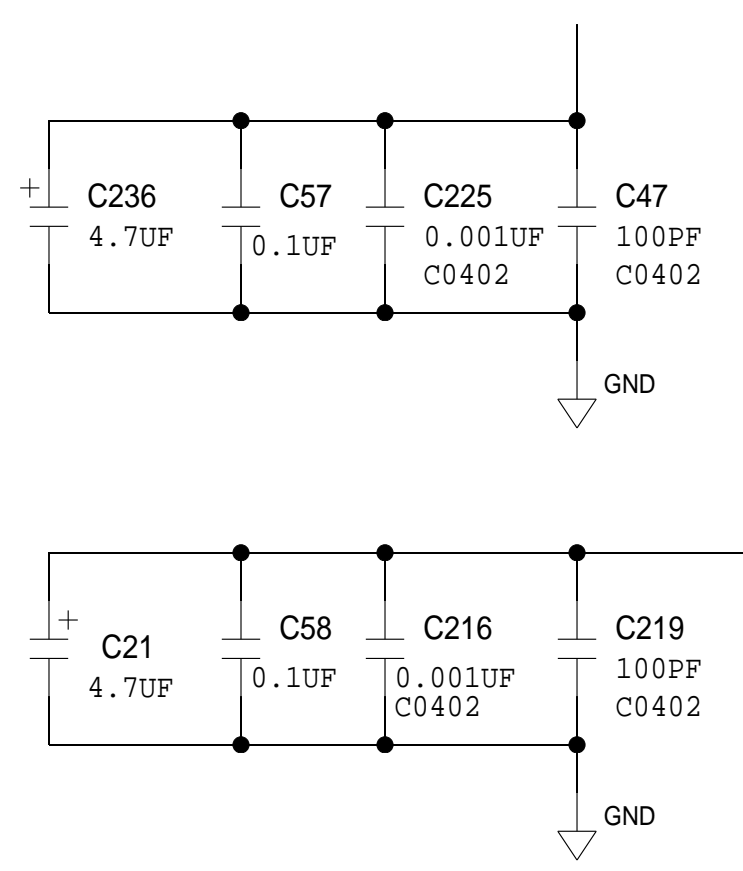
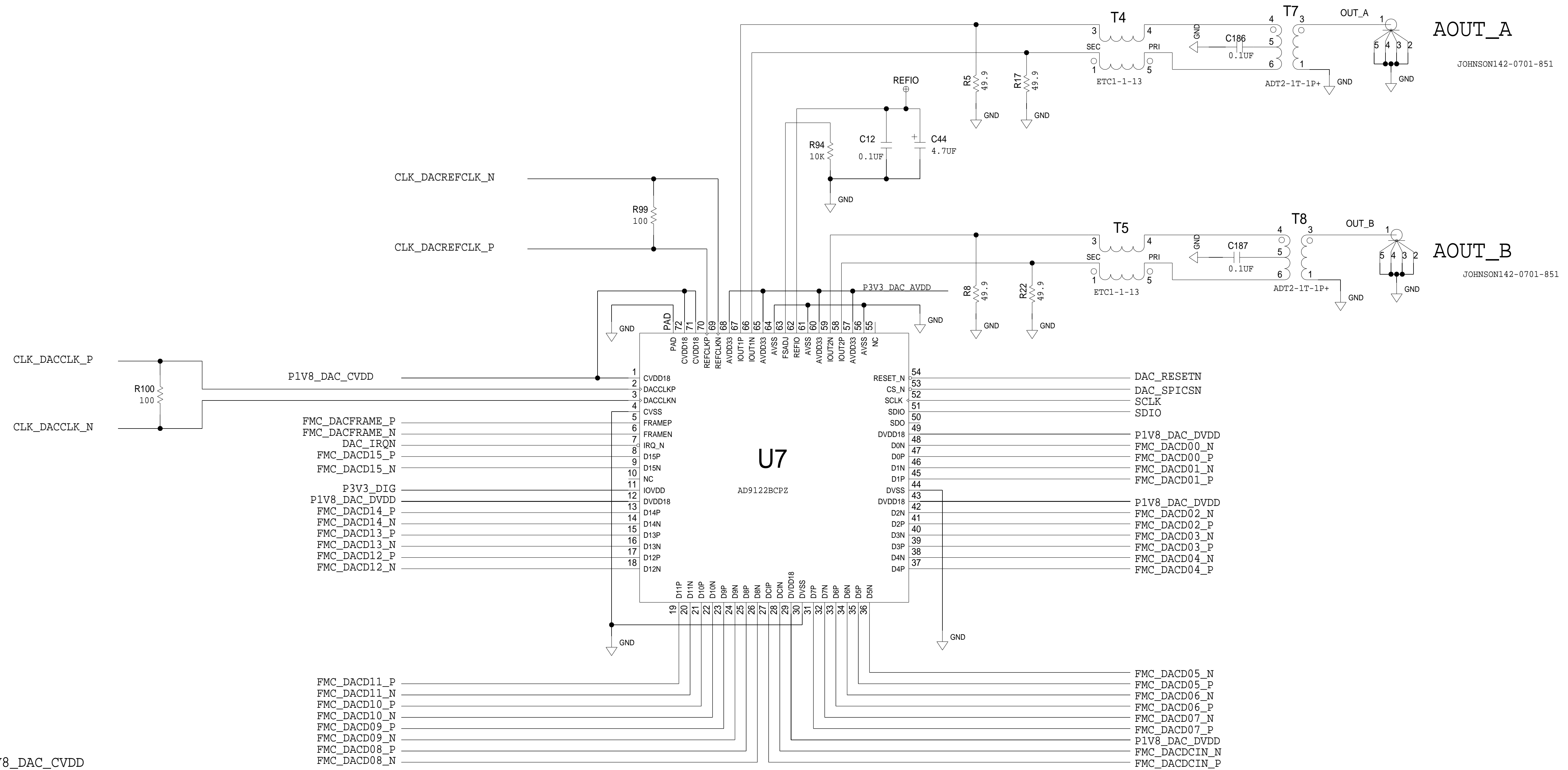


PLACE 10 OHM SERIES R CLOSE TO DIFF C AND CLOSE TO DUT

	<b>SCHEMATIC</b>		
	HW TYPE : CUSTOMER EVAL BOARD (HIGH-SPEED FMC DSP KIT 1) Product (s): AD9684 <PRODUCT_1>		
	DESIGN VIEW <DESIGN_VIEW>	DRAWING NO. 02_036095	REV B
	PTD ENGINEER N Wilson	SIZE D	SCALE 1:1
		SHEET 3 OF 9	

# AD9122

REVISIONS			
REV	DESCRIPTION	DATE	APPROVED



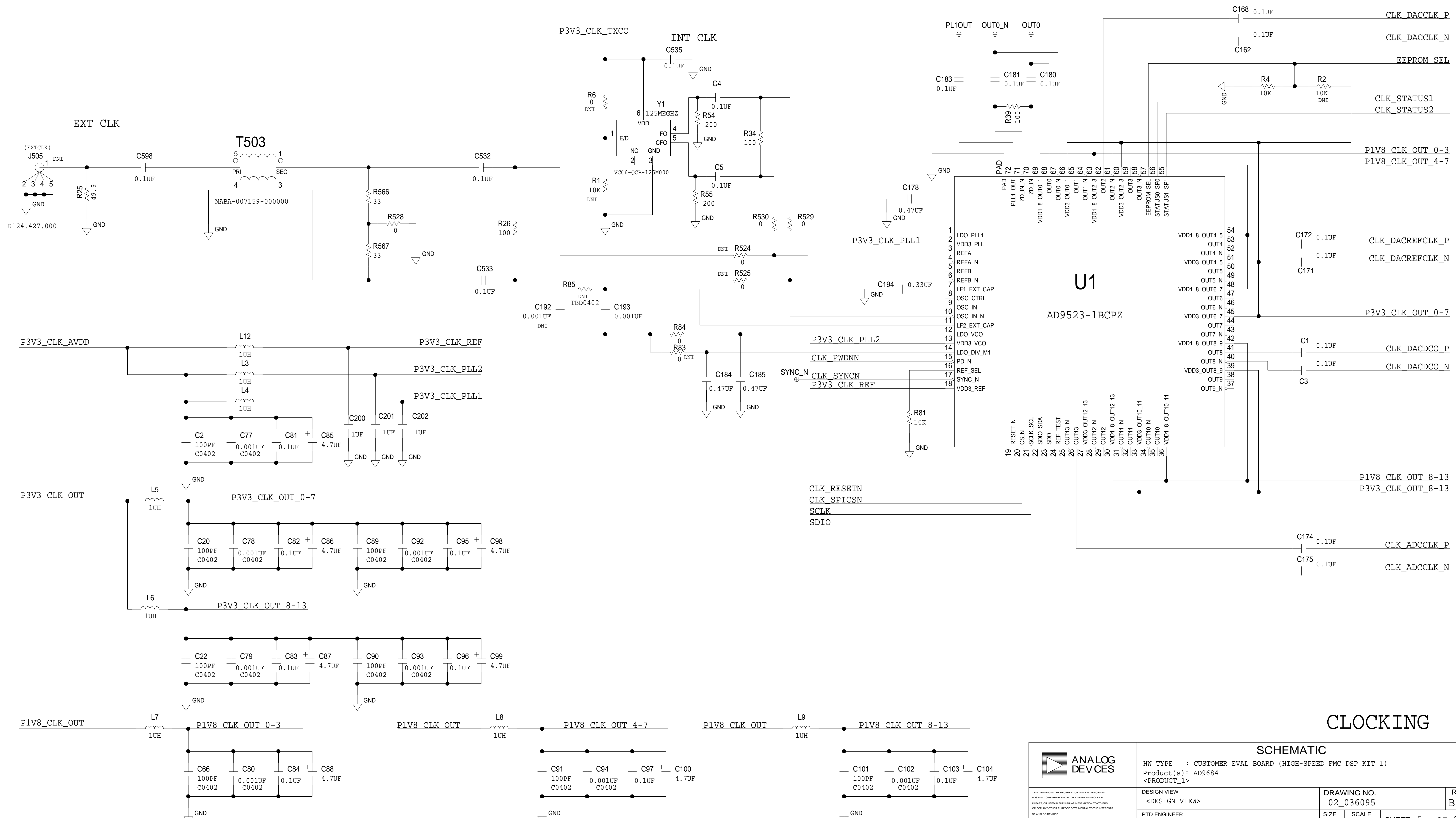
## DIGITAL-TO-ANALOG CONVERTER

SCHEMATIC			
		HW TYPE : CUSTOMER EVAL BOARD (HIGH-SPEED FMC DSP KIT 1) Product(s): AD9684 <PRODUCT_1>	
DESIGN VIEW <DESIGN_VIEW>		DRAWING NO. 02_036095	
PTD ENGINEER N Wilson		SIZE D	SCALE 1:1
		SHEET 4 OF 9	
		REV B	

THIS DRAWING IS THE PROPERTY OF ANALOG DEVICES INC. IT IS NOT TO BE REPRODUCED OR COPIED, IN WHOLE OR IN PART, OR USED IN FURNISHING INFORMATION TO OTHERS, OR FOR ANY OTHER PURPOSE DETRIMENTAL TO THE INTERESTS OF ANALOG DEVICES. THE EQUIPMENT SHOWN HEREON MAY BE PROTECTED BY PATENTS OWNED OR CONTROLLED BY ANALOG DEVICES.

# AD9523-1

REVISIONS			
REV	DESCRIPTION	DATE	APPROVED



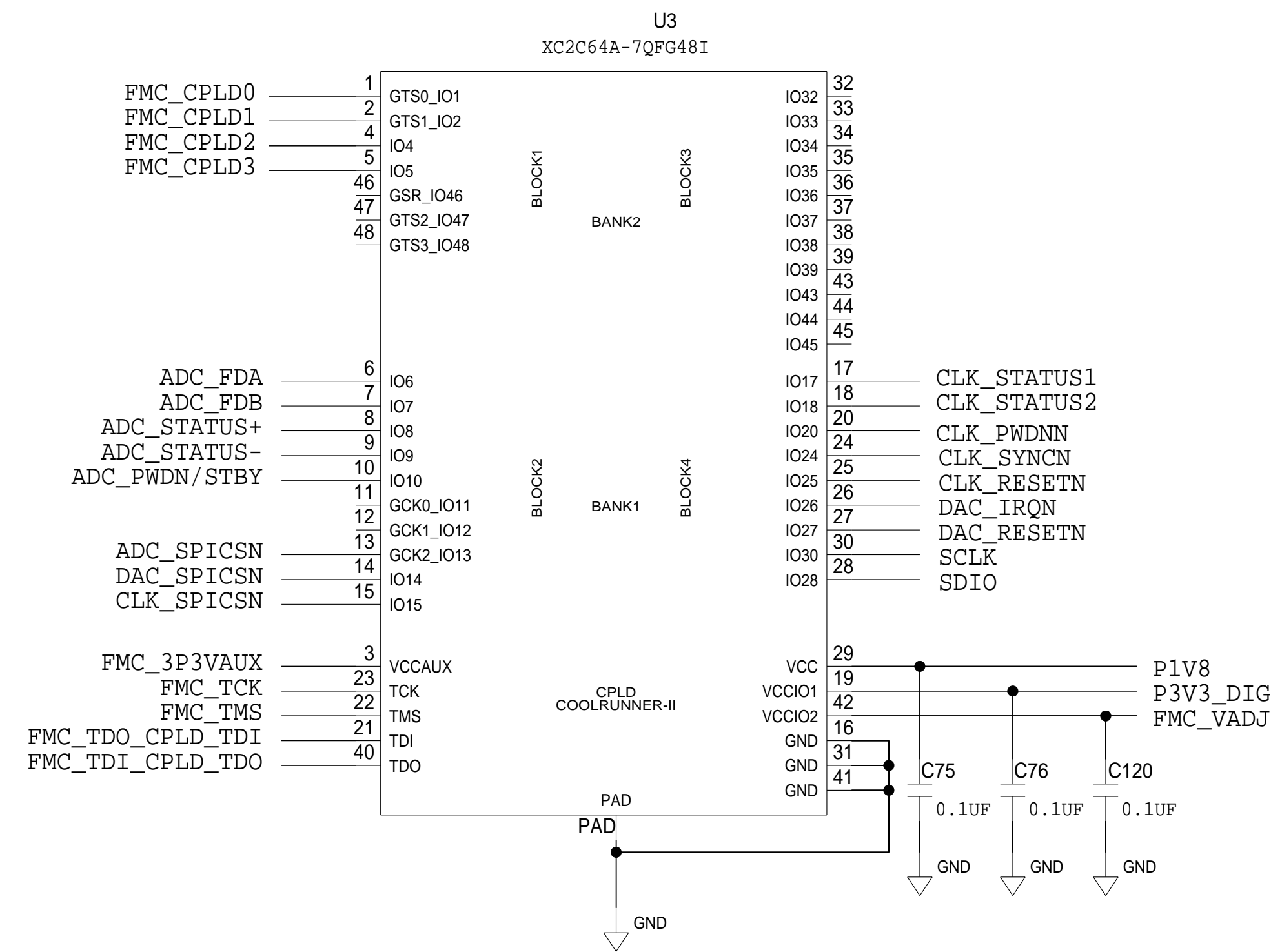
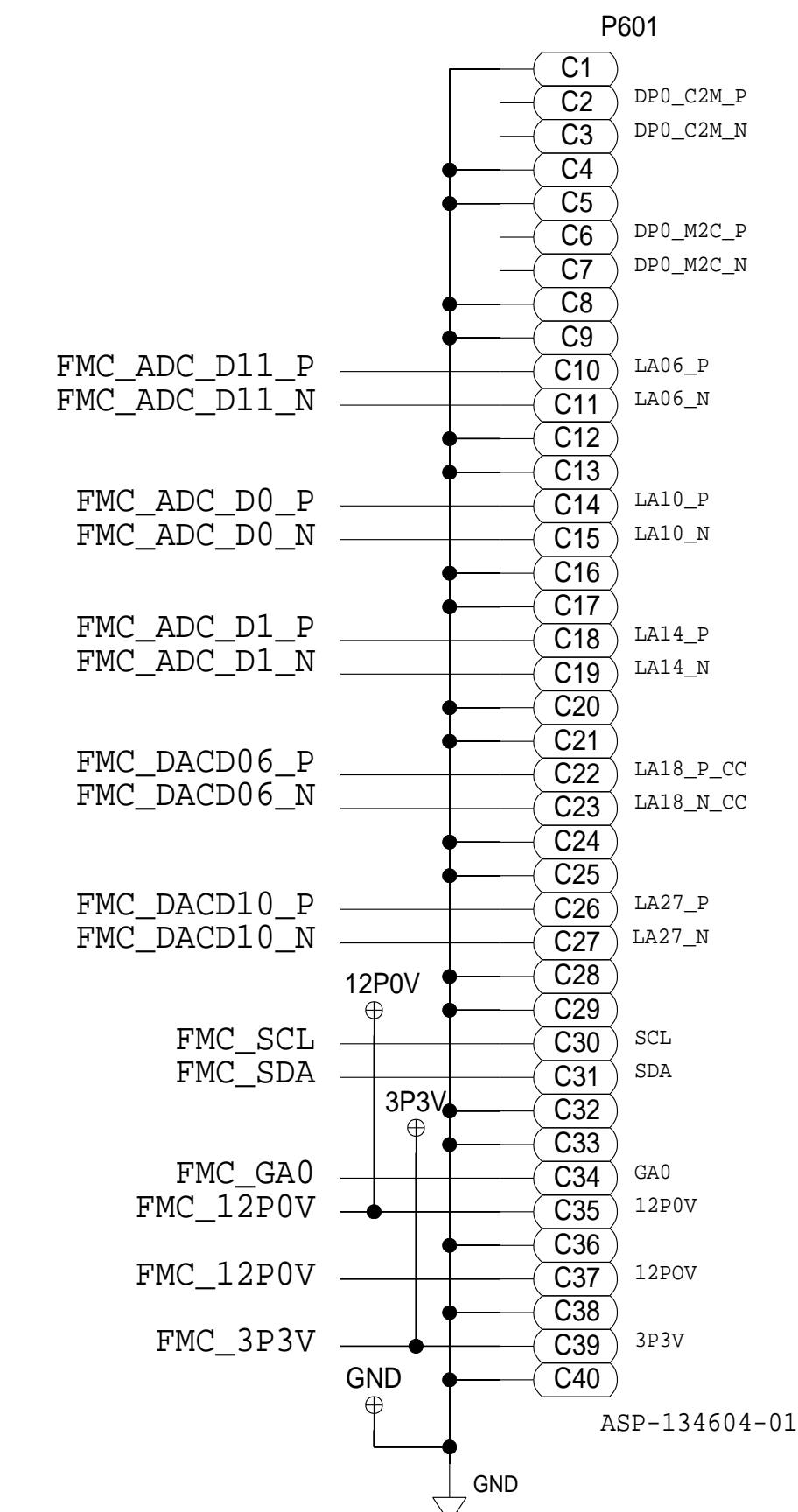
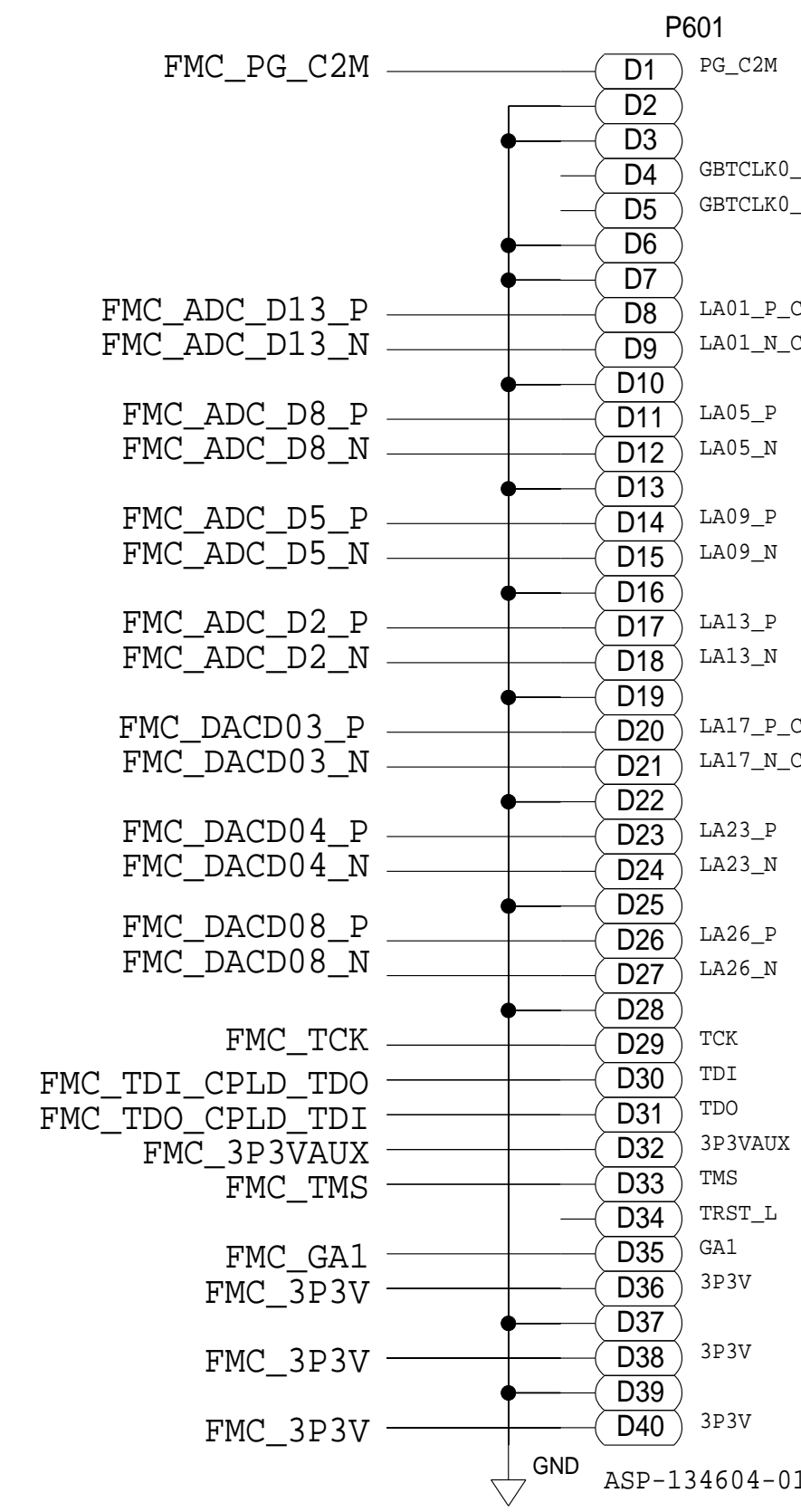
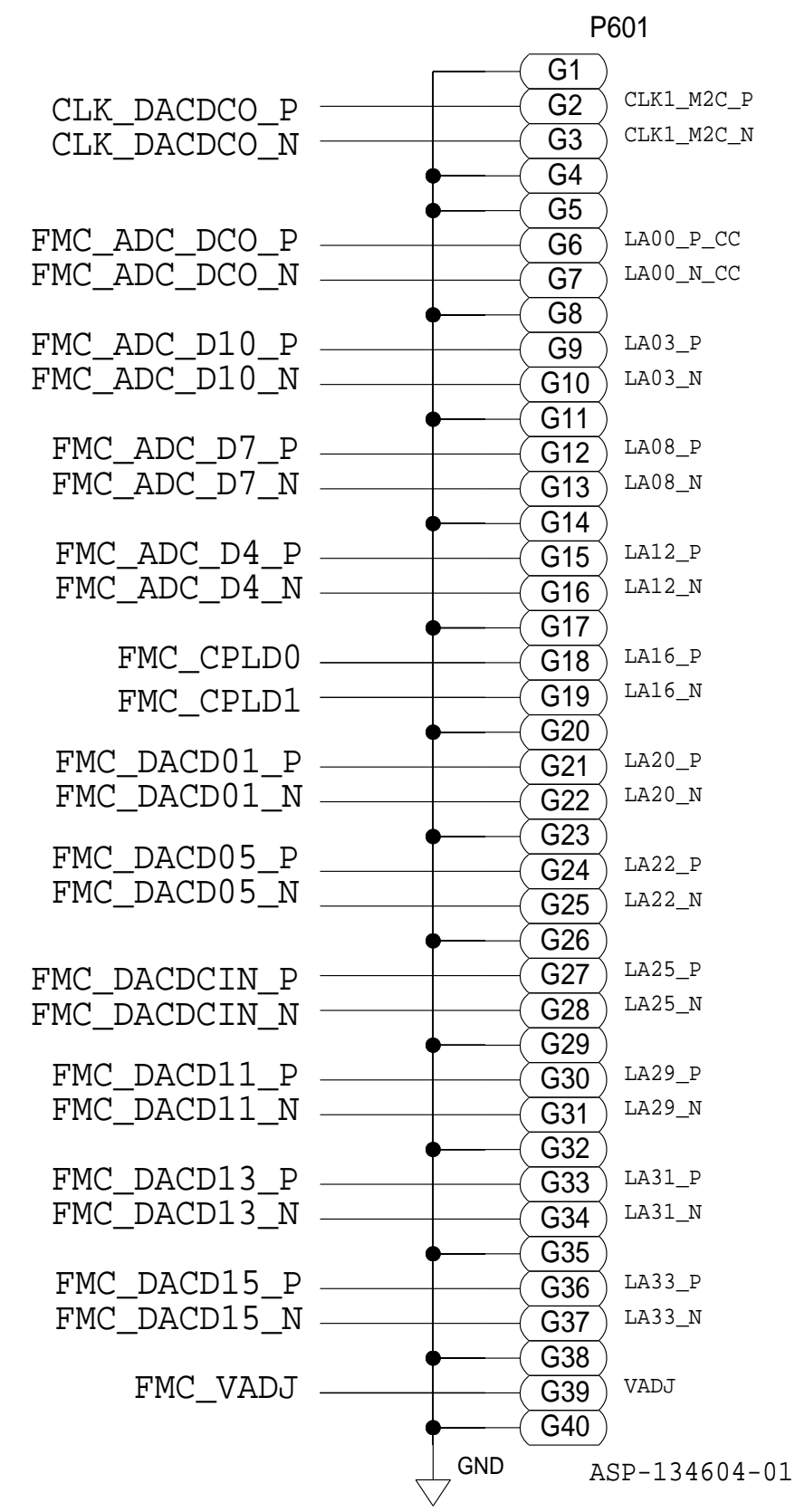
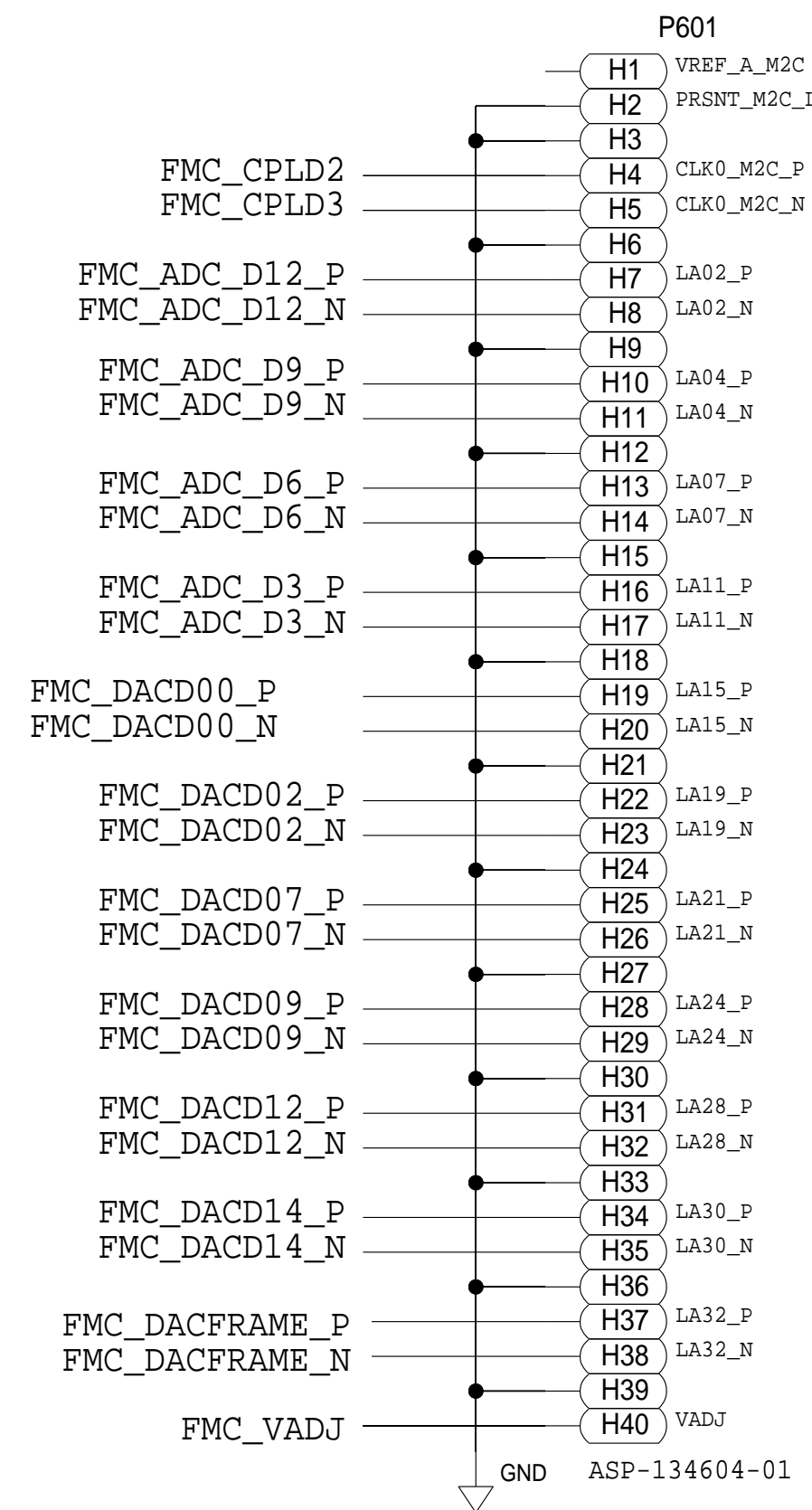
## CLOCKING

SCHEMATIC			
HW TYPE : CUSTOMER EVAL BOARD (HIGH-SPEED FMC DSP KIT 1)			
Product(s) : AD9684			
<PRODUCT_1>			
DESIGN VIEW	DRAWING NO.		REV
<DESIGN_VIEW>	02_036095		B
PTD ENGINEER	SIZE	SCALE	SHEET 5 OF 9
N Wilson	D	1:1	

ANALOG DEVICES  
THIS DRAWING IS THE PROPERTY OF ANALOG DEVICES INC. IT IS NOT TO BE REPRODUCED OR COPIED IN WHOLE OR IN PART, OR USED IN ANY MANNER THAT WOULD BE DETRIMENTAL TO THE INTERESTS OF ANALOG DEVICES. THE EQUIPMENT SHOWN HEREIN MAY BE PROTECTED BY PATENTS OWNED OR CONTROLLED BY ANALOG DEVICES.

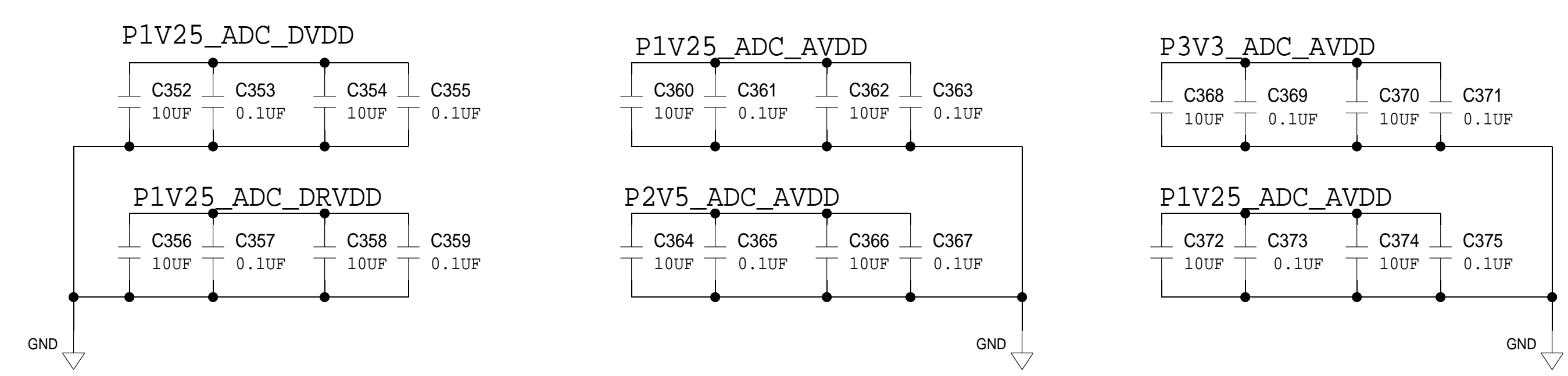
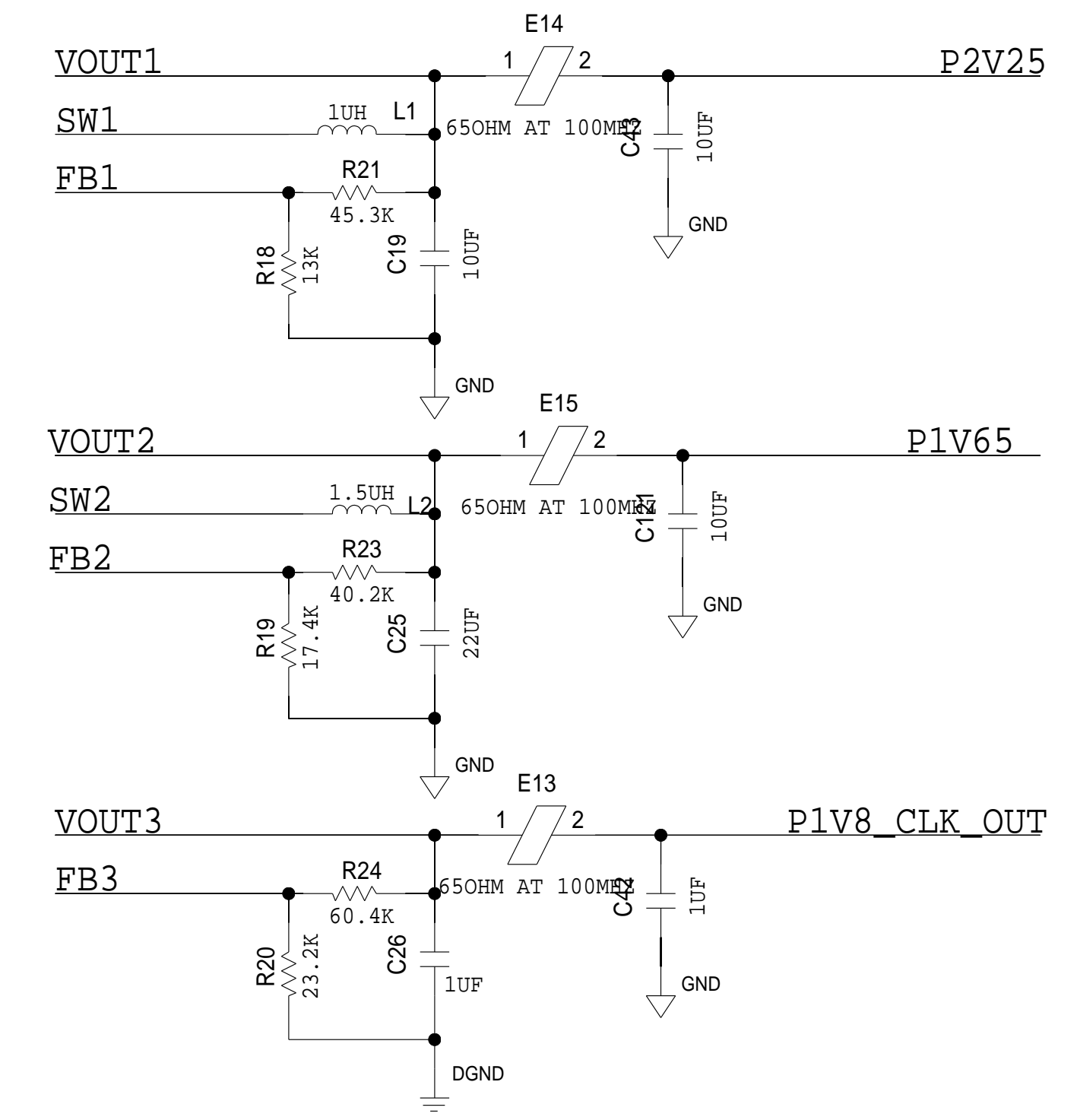
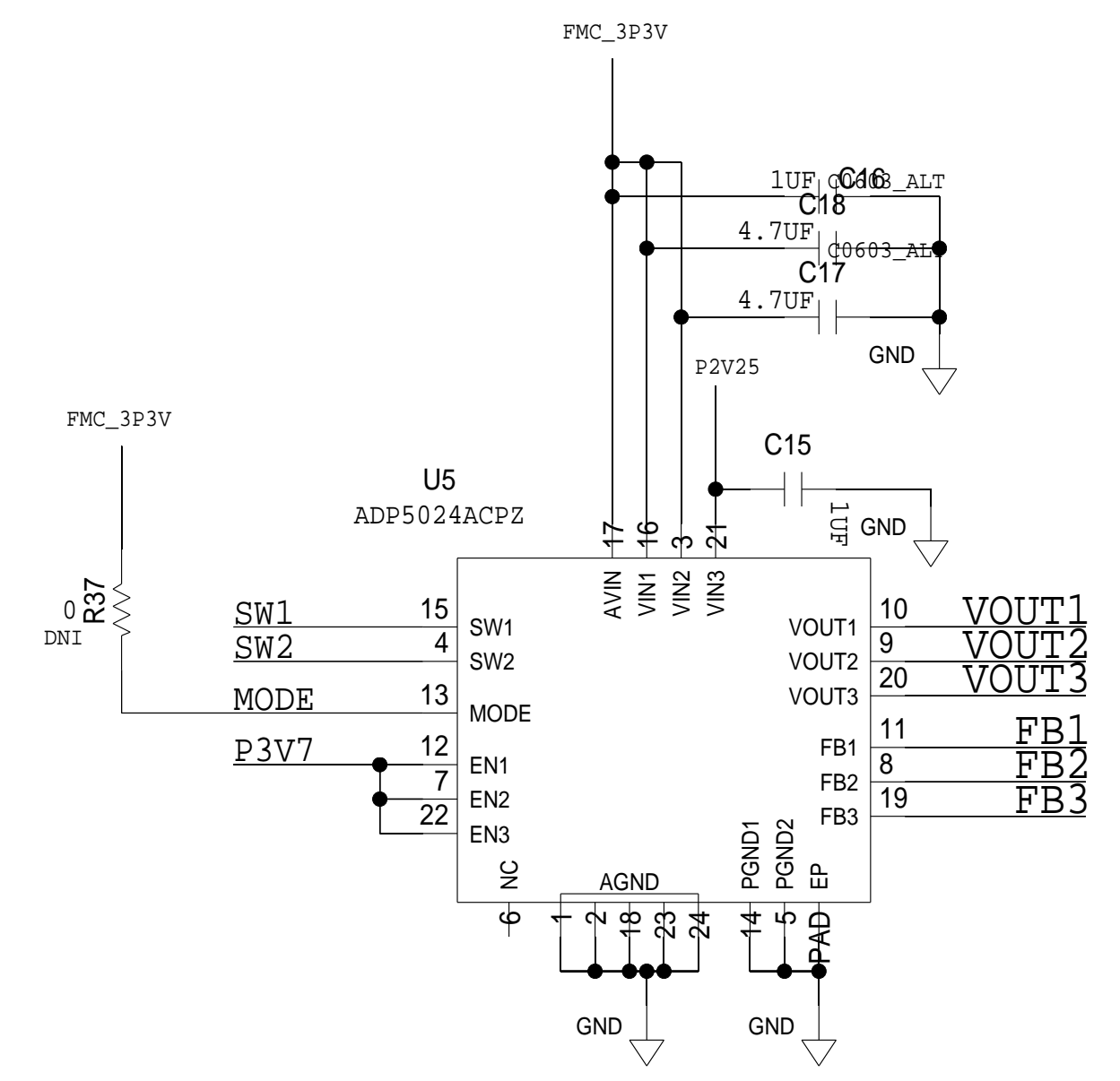
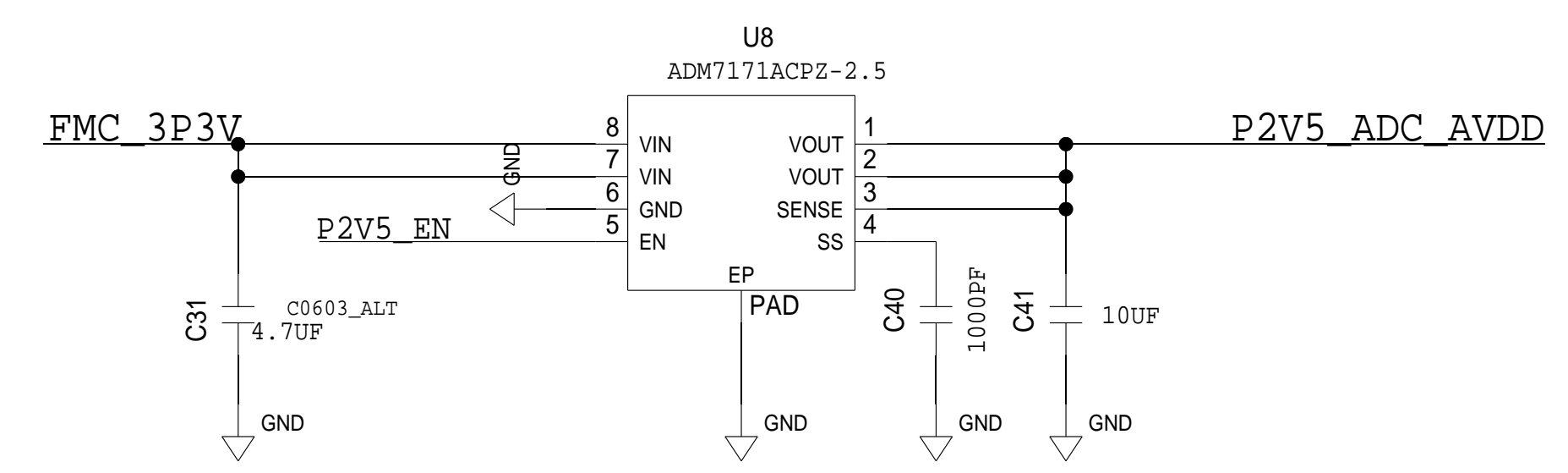
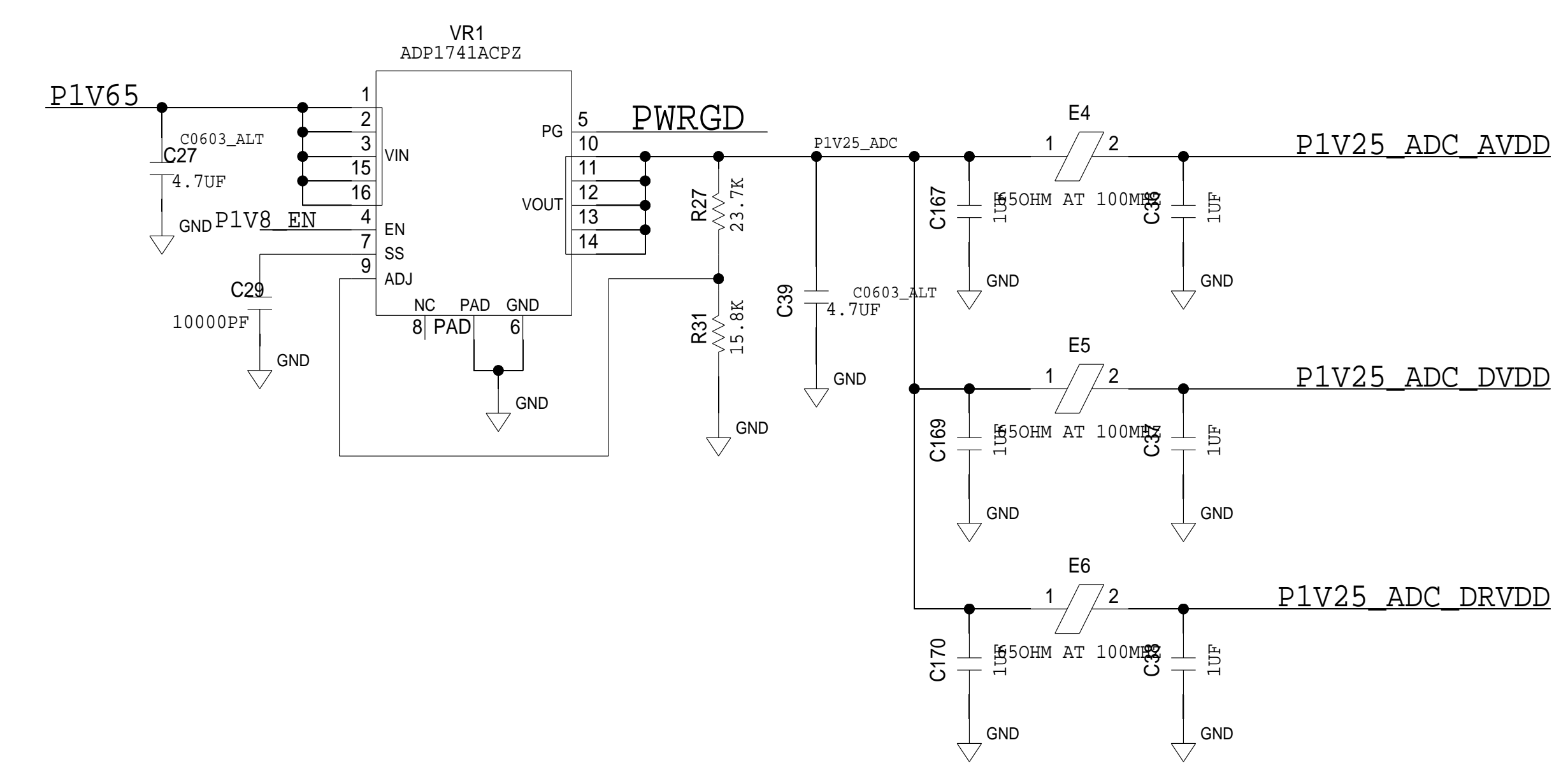
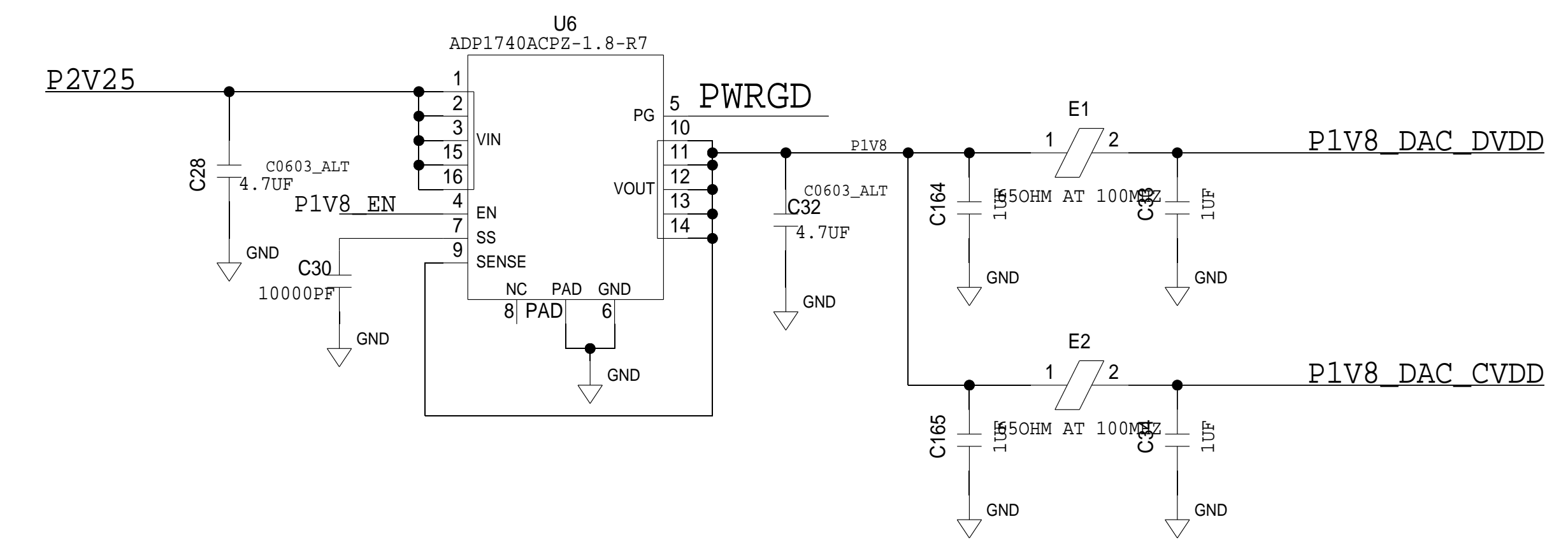
# FMC CONNECTIONS

REVISIONS			
REV	DESCRIPTION	DATE	APPROVED



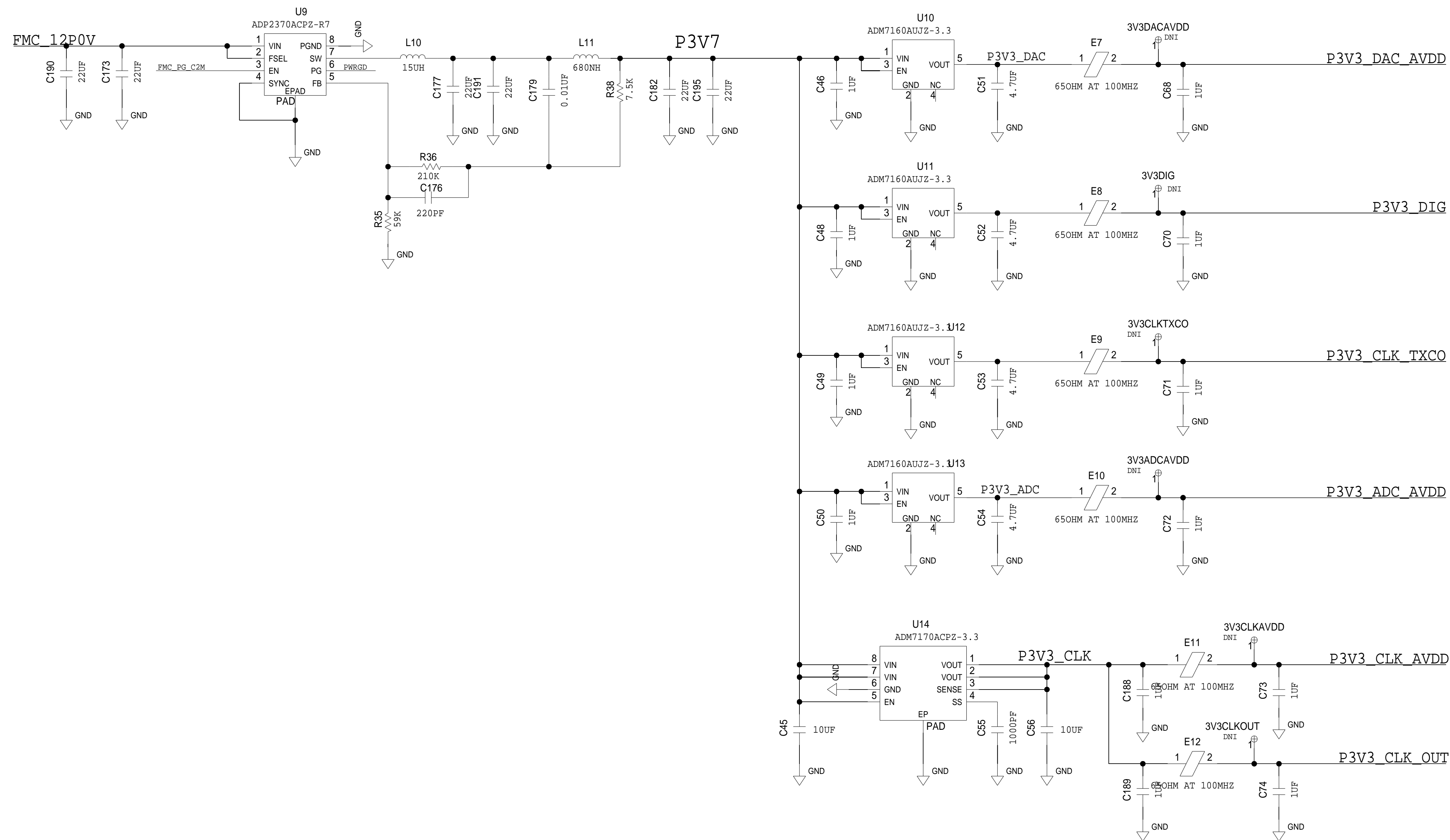
SCHEMATIC			
HW TYPE : CUSTOMER EVAL BOARD (HIGH-SPEED FMC DSP KIT 1) Product(s): AD9684 <PRODUCT_1>			
DESIGN VIEW	DRAWING NO.	REV	
<DESIGN_VIEW>	02_036095	B	
PTD ENGINEER	SIZE	SCALE	SHEET 6 OF 9
N Wilson	D	1:1	

REVISIONS			
REV	DESCRIPTION	DATE	APPROVED



SCHEMATIC			
		HW TYPE : CUSTOMER EVAL BOARD (HIGH-SPEED FMC DSP KIT 1) Product(s) : AD9684 <PRODUCT_1>	
DESIGN VIEW <DESIGN_VIEW>		DRAWING NO. 02_036095	
PTD ENGINEER N Wilson		SIZE D	SCALE 1:1
		SHEET 7 OF 9	

REVISIONS			
REV	DESCRIPTION	DATE	APPROVED

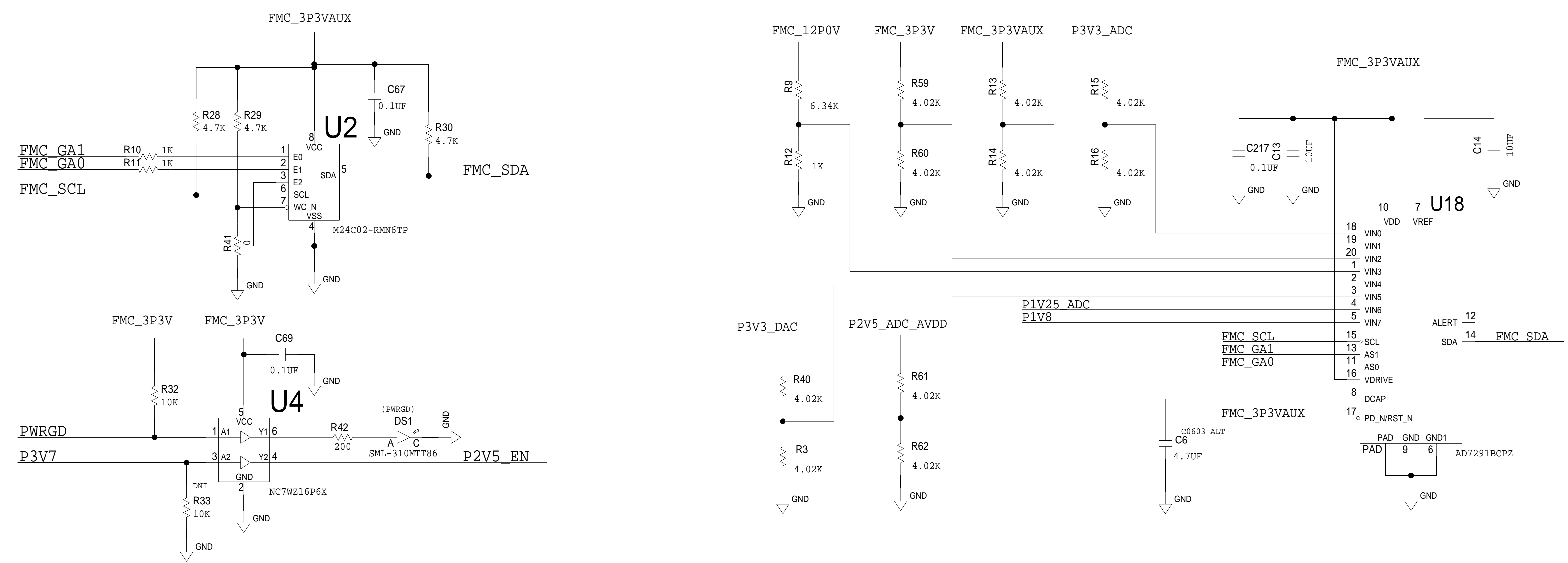


	<b>SCHEMATIC</b>		
	HW TYPE : CUSTOMER EVAL BOARD (HIGH-SPEED FMC DSP KIT 1) Product(s): AD9684 <PRODUCT_1>		
	DESIGN VIEW <DESIGN_VIEW>	DRAWING NO. 02_036095	REV B
	PTD ENGINEER N Wilson	SIZE D	SCALE 1:1

THIS DRAWING IS THE PROPERTY OF ANALOG DEVICES INC. IT IS NOT TO BE REPRODUCED OR COPIED, IN WHOLE OR IN PART, OR USED IN ANY MANNER WITHOUT THE WRITTEN PERMISSION OF ANALOG DEVICES. THE EQUIPMENT SHOWN HEREON MAY BE PROTECTED BY PATENTS OWNED OR CONTROLLED BY ANALOG DEVICES.



REVISIONS			
REV	DESCRIPTION	DATE	APPROVED



<p>THIS DRAWING IS THE PROPERTY OF ANALOG DEVICES INC. IT IS NOT TO BE REPRODUCED OR COPIED, IN WHOLE OR IN PART, OR USED IN FURNISHING INFORMATION TO OTHERS, OR FOR ANY OTHER PURPOSE DETRIMENTAL TO THE INTERESTS OF ANALOG DEVICES. THE EQUIPMENT SHOWN HEREON MAY BE PROTECTED BY PATENTS OWNED OR CONTROLLED BY ANALOG DEVICES.</p>	<b>SCHEMATIC</b>		
	HW TYPE : CUSTOMER EVAL BOARD (HIGH-SPEED FMC DSP KIT 1) Product(s): AD9684 <PRODUCT_1>		
	DESIGN VIEW <DESIGN_VIEW>	DRAWING NO. 02_036095	REV B
	PTD ENGINEER N Wilson	SIZE D	SCALE 1:1

SHEET 9 OF 9