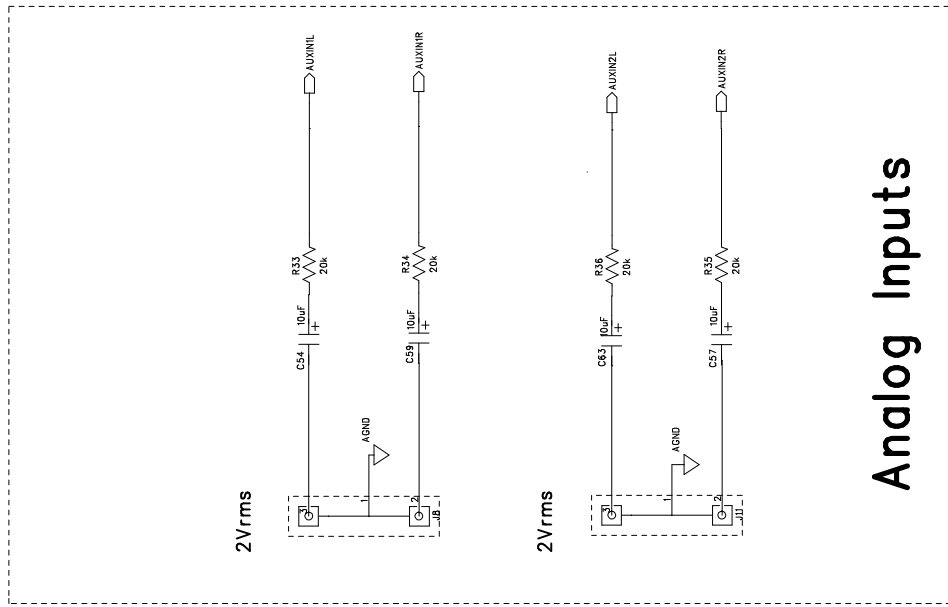
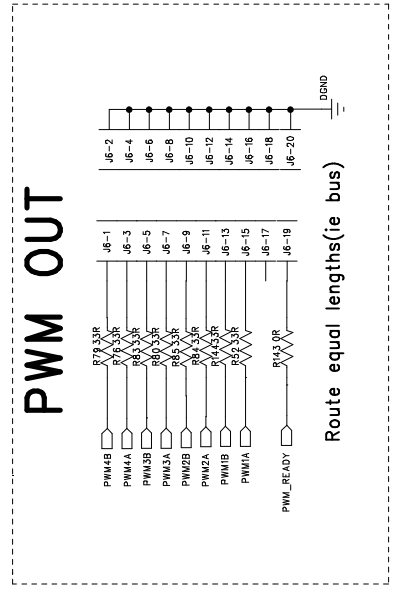


REVISION RECORD	
LTR	APPROVED:
ECD NO:	DATE:

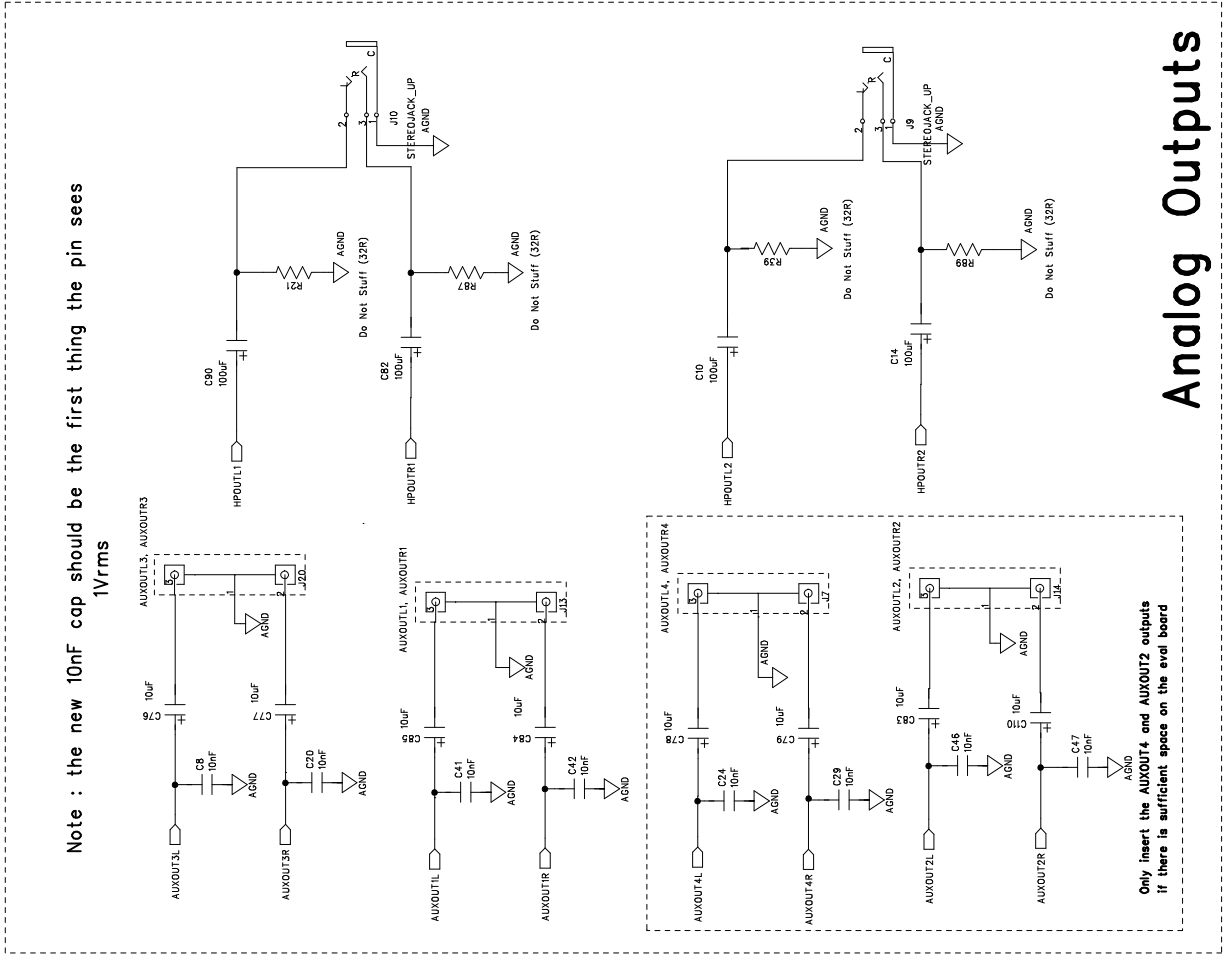


Analog Inputs



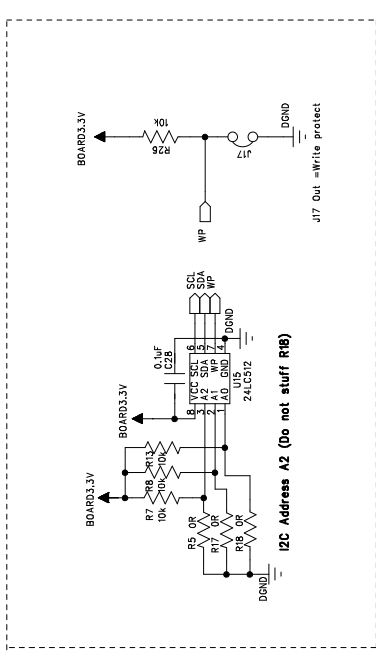
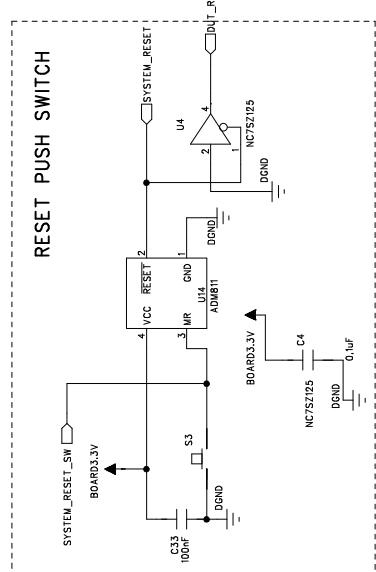
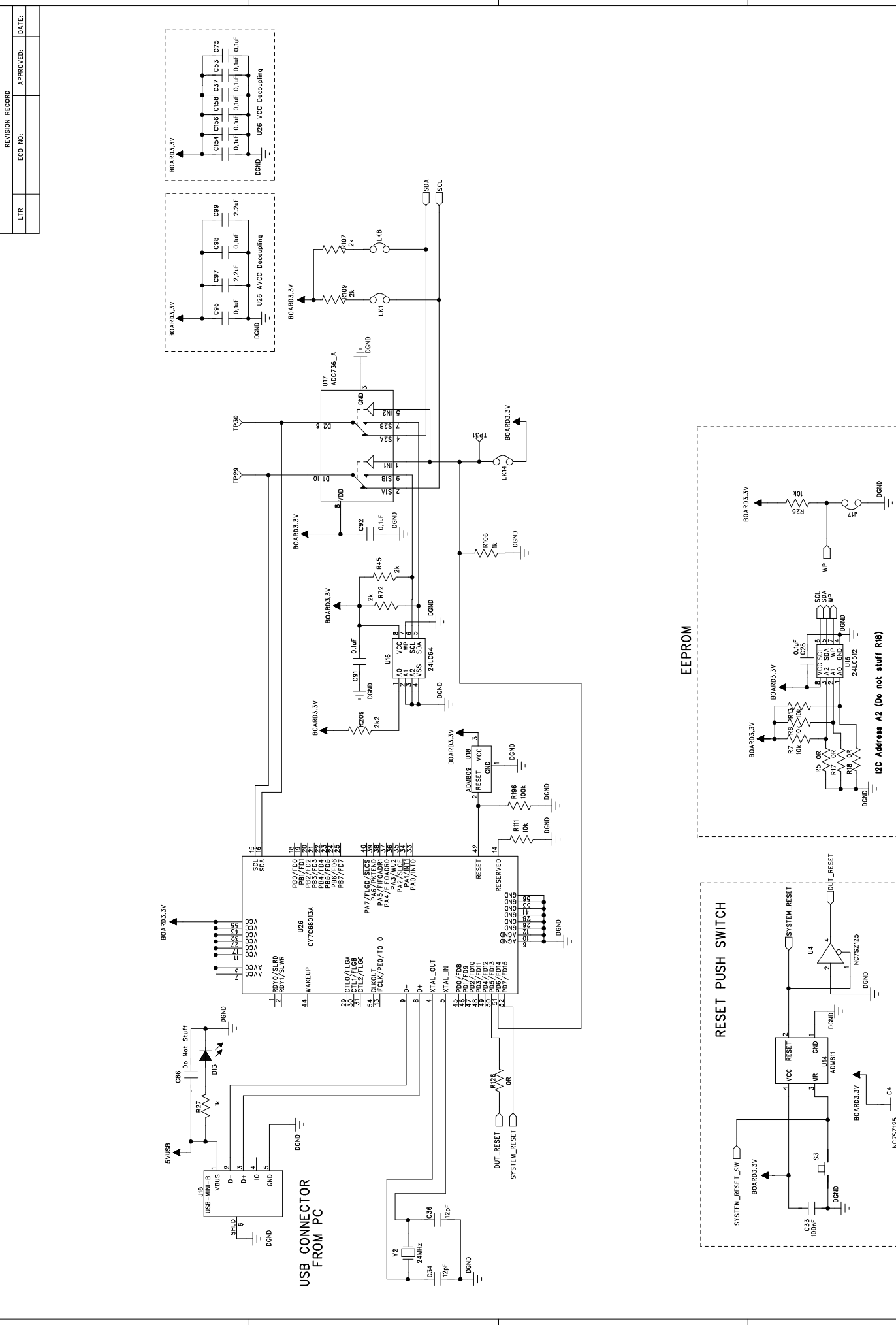
PWM OUT

Route equal lengths(ie bus)

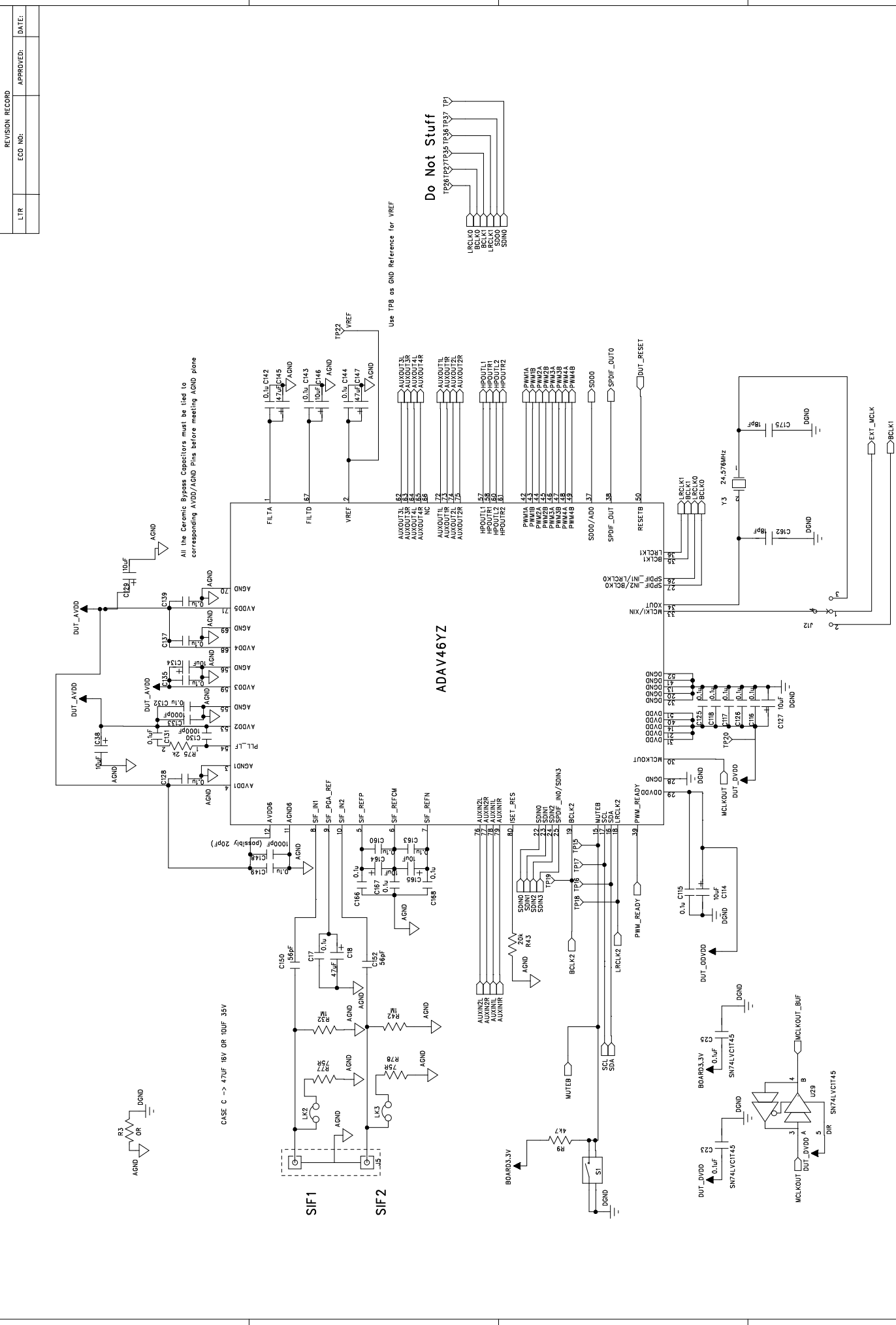


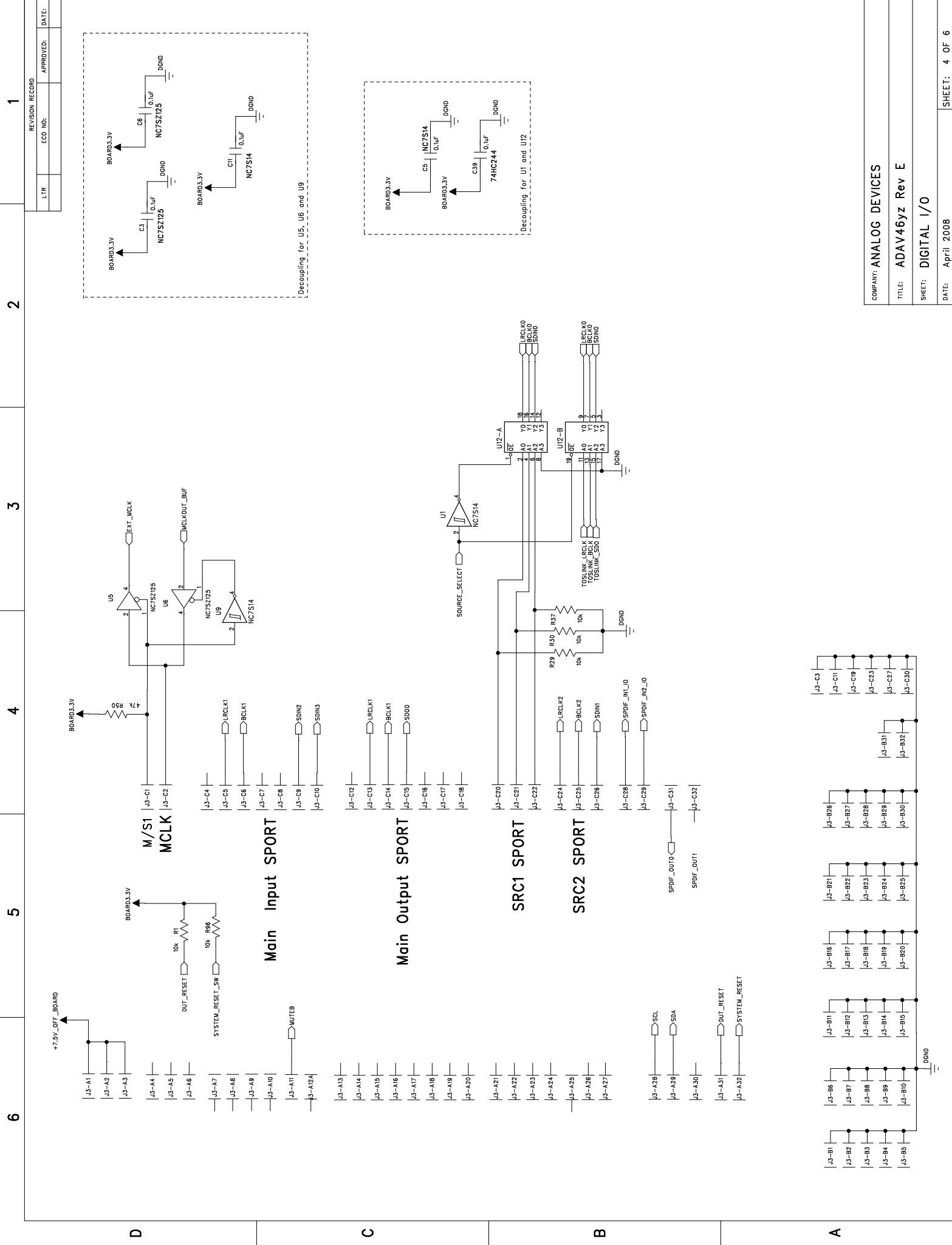
Only insert the AUXOUT4 and AUXOUT2 outputs if there is sufficient space on the eval board

Analog Outputs



REVISION RECORD	
LTR	APPROVED:
ECD NO:	DATE:

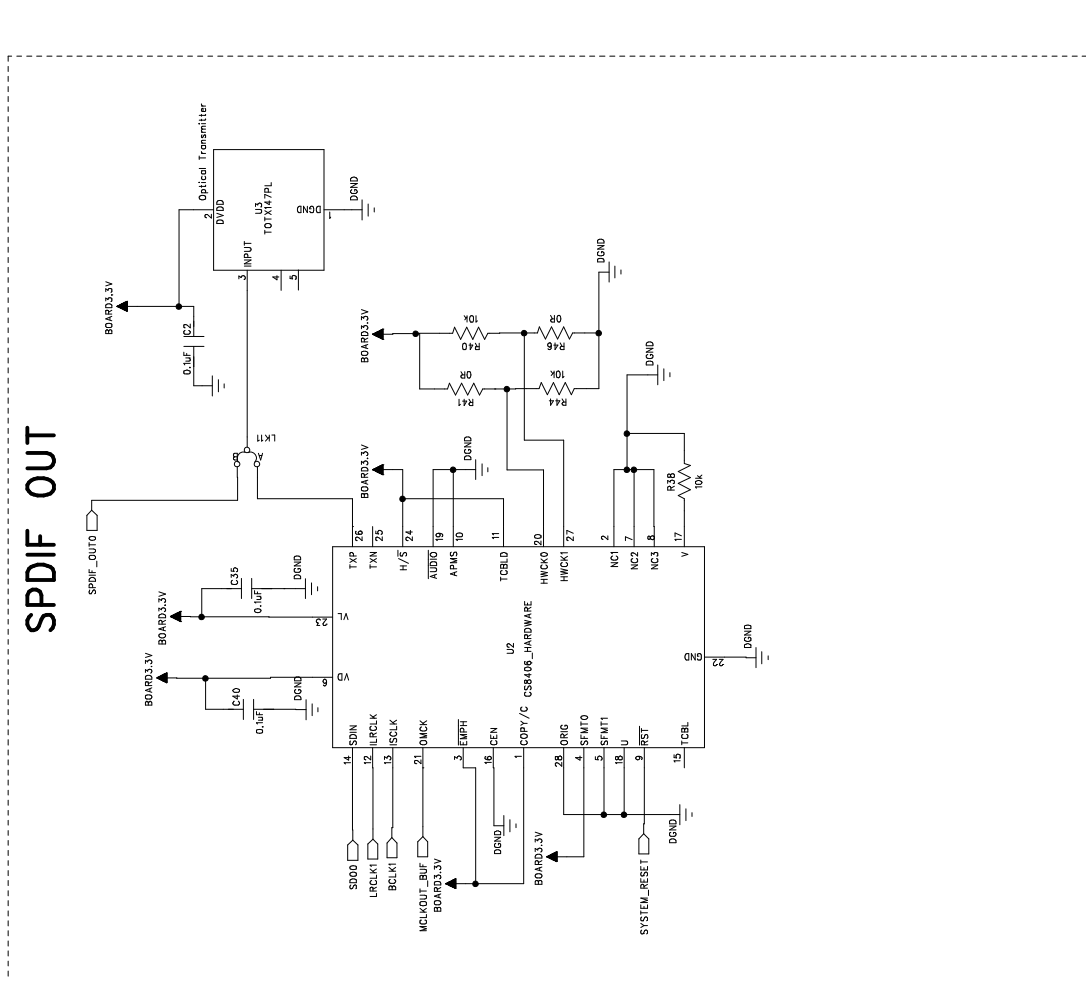
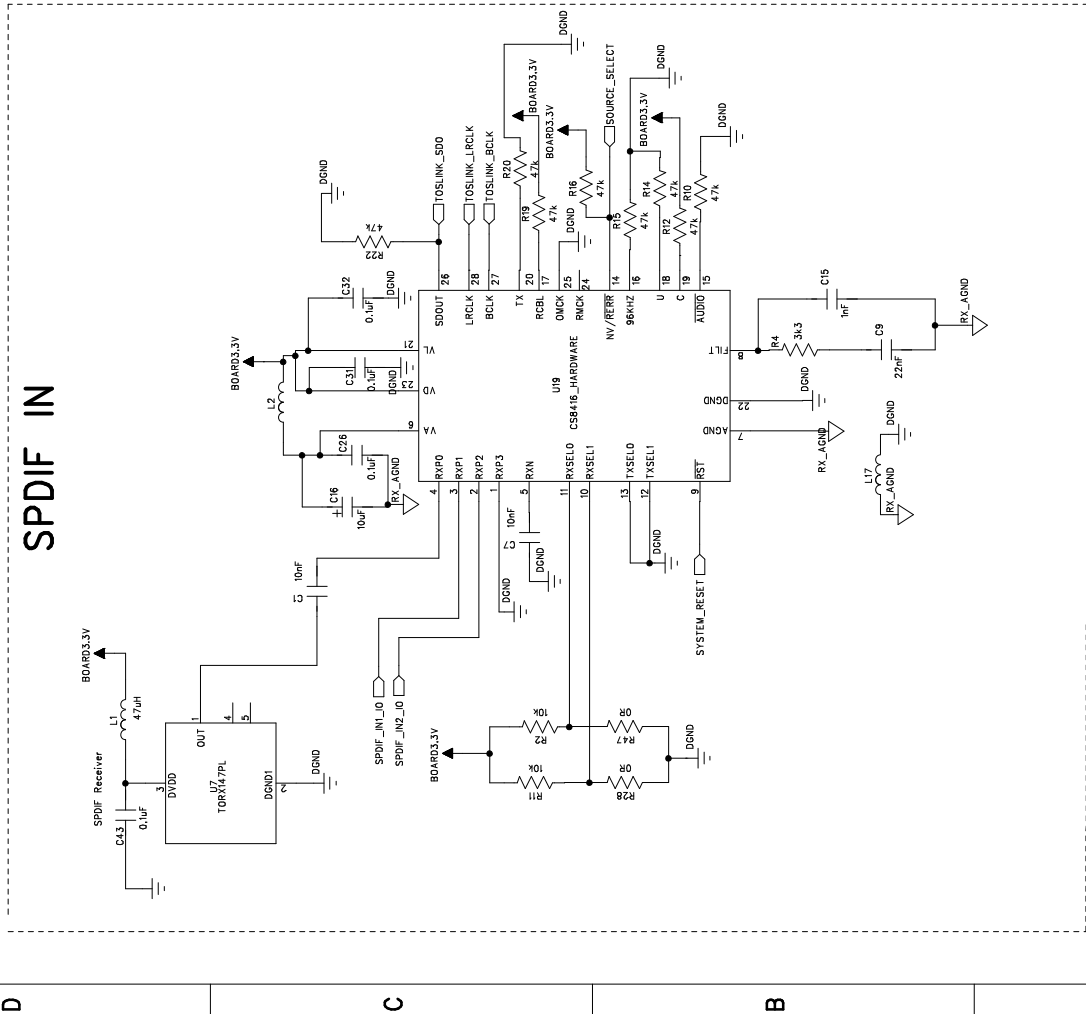




REVISION RECORD	
LTR	ECO NO:
	APPROVED:
	DATE:

COMPANY: ANALOG DEVICES
 TITLE: ADAV46yz Rev E
 SHEET: DIGITAL I/O
 DATE: April 2008
 SHEET: 4 OF 6

LTR	REVISION RECORD	APPROVED:	DATE:
	ECC NO:		



6 5 4 3 2 1

REVISION RECORD	
LTR	DATE:
ECD NO:	APPROVED:



D

D

C

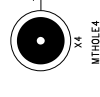
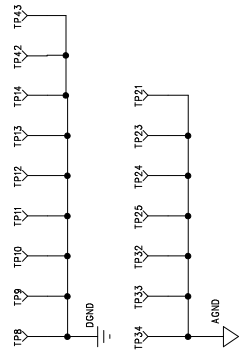
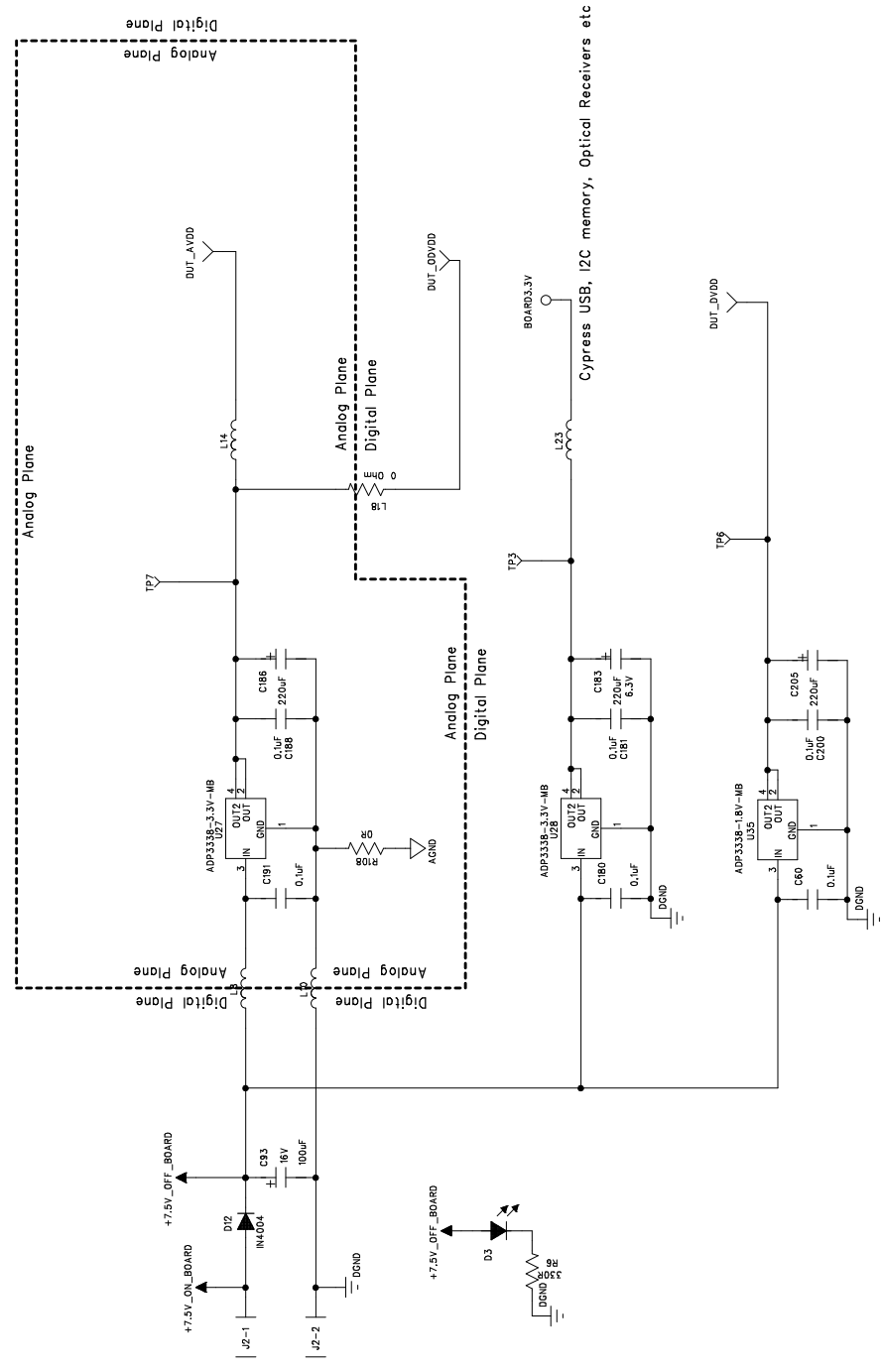
C

B

B

A

A



COMPANY:	ANALOG DEVICES
TITLE:	ADAV46yz Rev E
SHEET:	POWER
DATE:	April 2008
SHEET:	6 OF 6