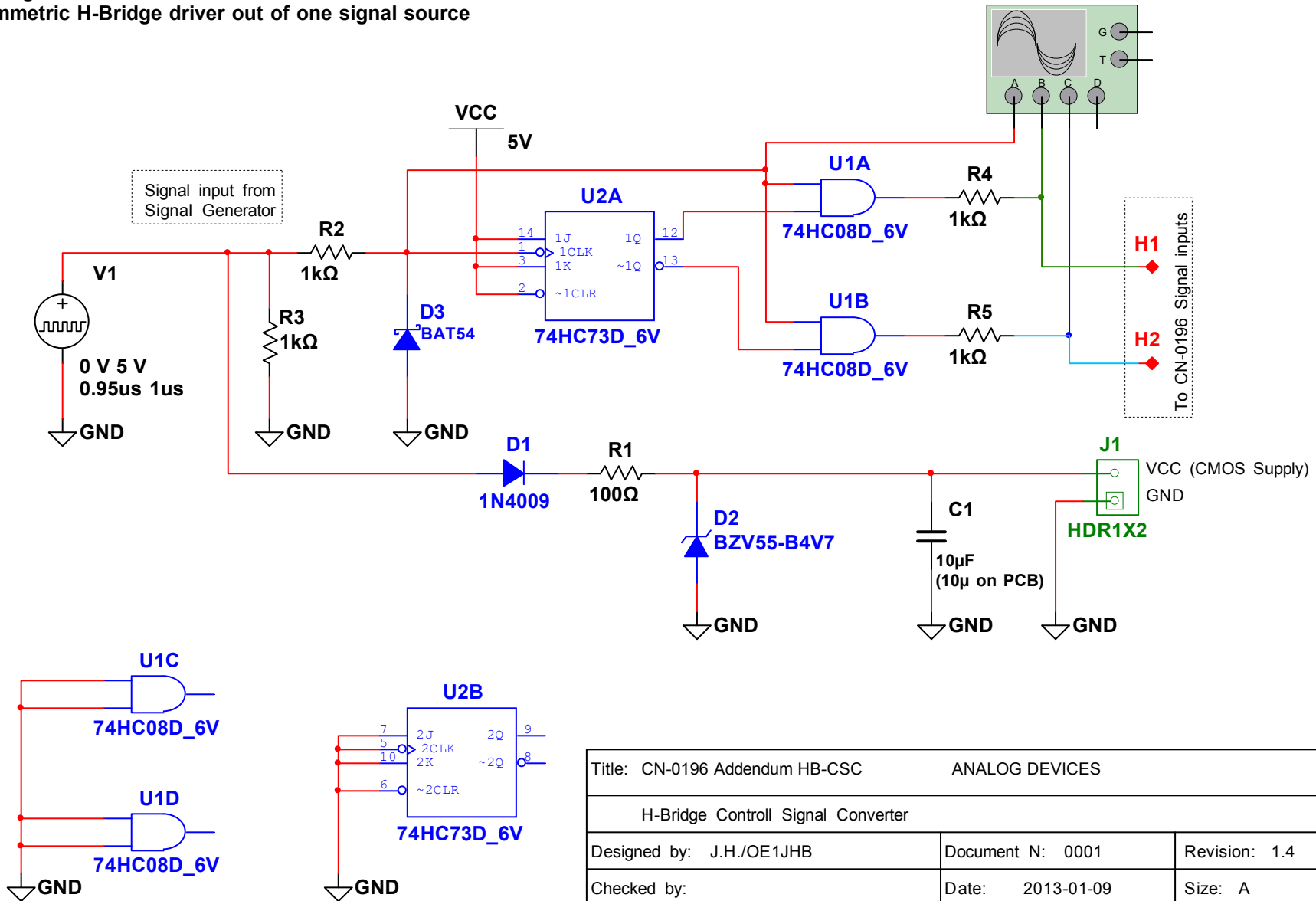


CN-0196-CSC
Analog Devices CN-0196 Addendum
Symmetric H-Bridge driver out of one signal source



Title: CN-0196 Addendum HB-CSC		ANALOG DEVICES	
H-Bridge Control Signal Converter			
Designed by: J.H./OE1JHB	Document N: 0001	Revision: 1.4	
Checked by:	Date: 2013-01-09	Size: A	
Approved by:	Sheet 1 of 1		