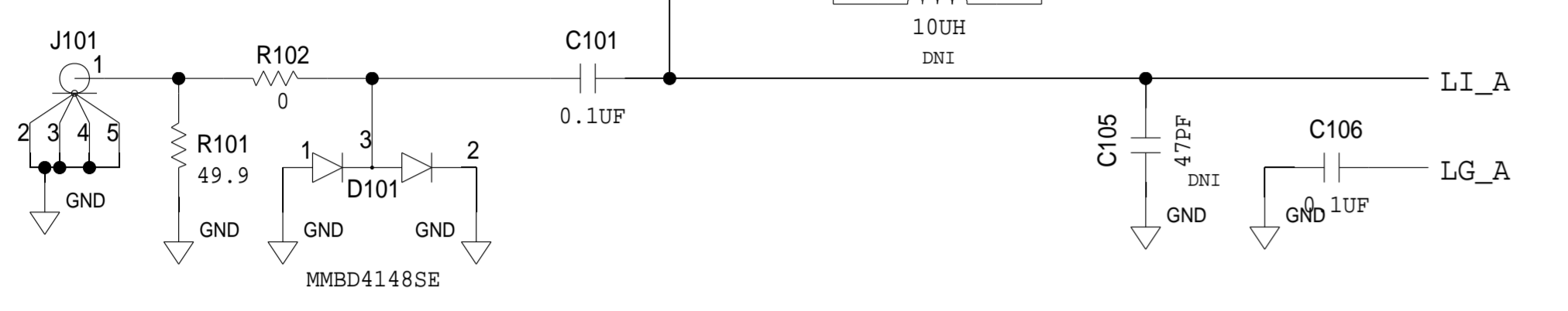


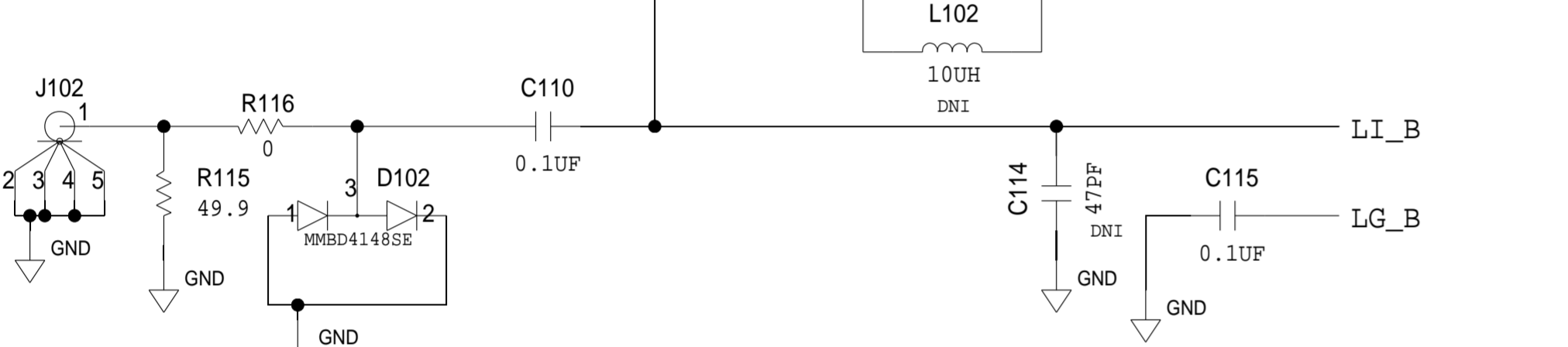
REVISIONS			
REV	DESCRIPTION	DATE	APPROVED

ANALOG INPUTS

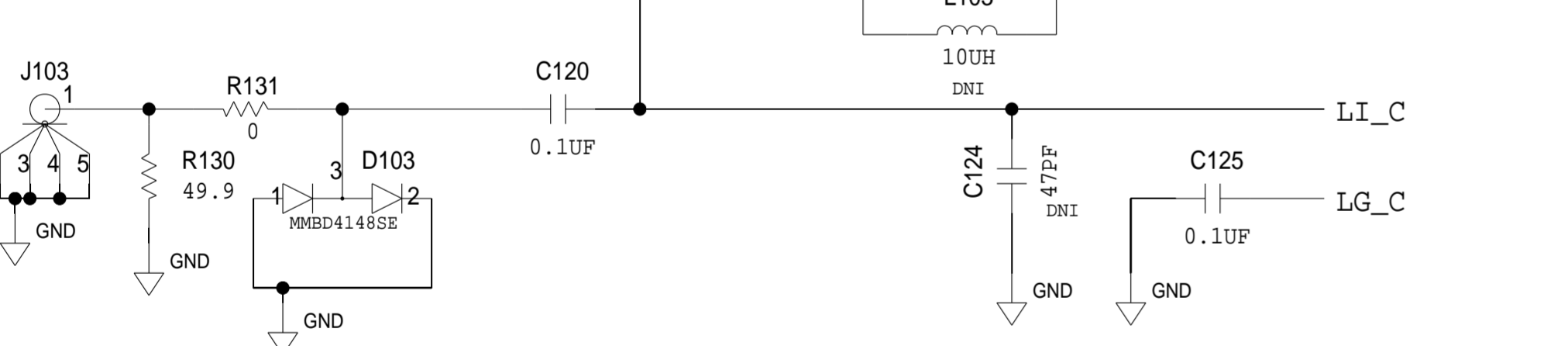
CHANNEL A INPUT



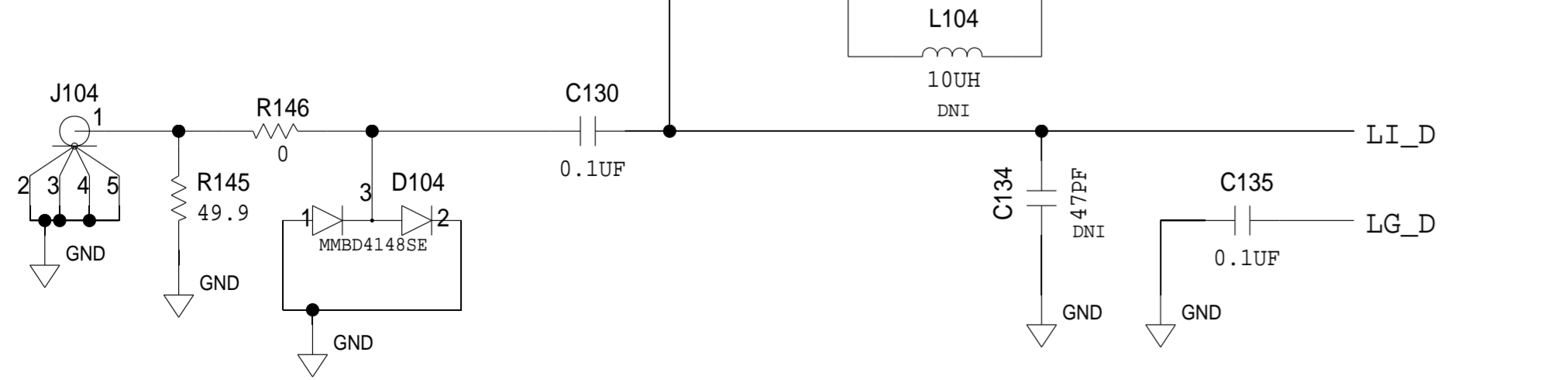
CHANNEL B INPUT



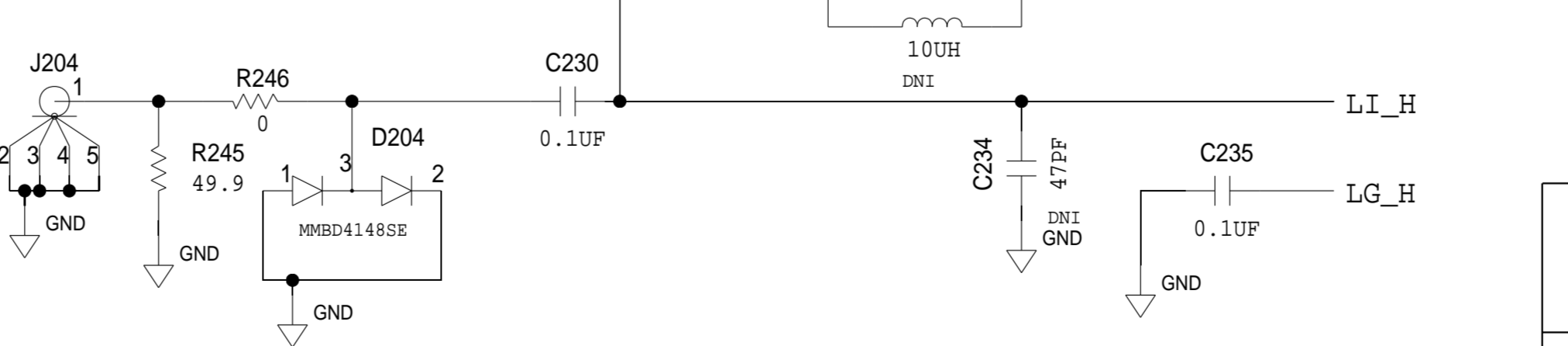
CHANNEL C INPUT



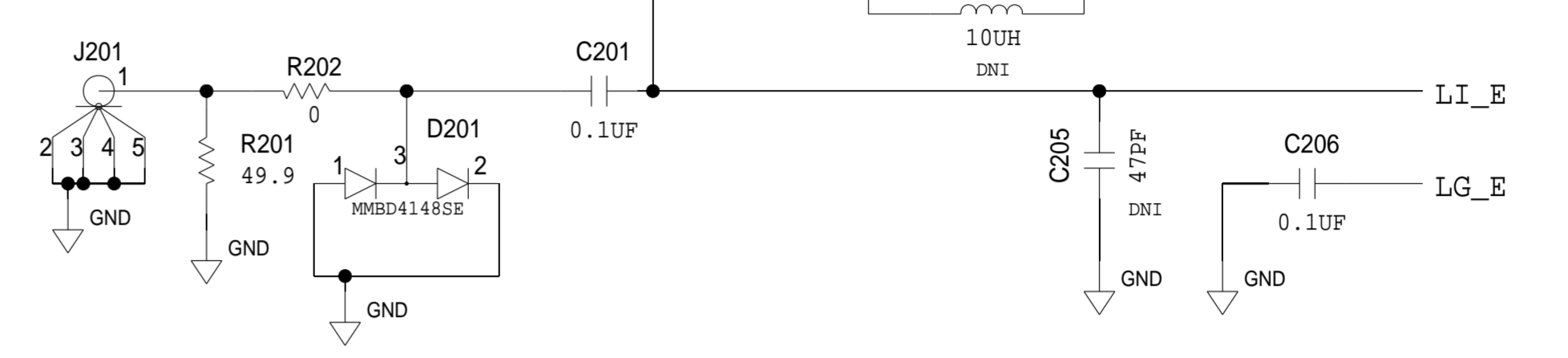
CHANNEL D INPUT



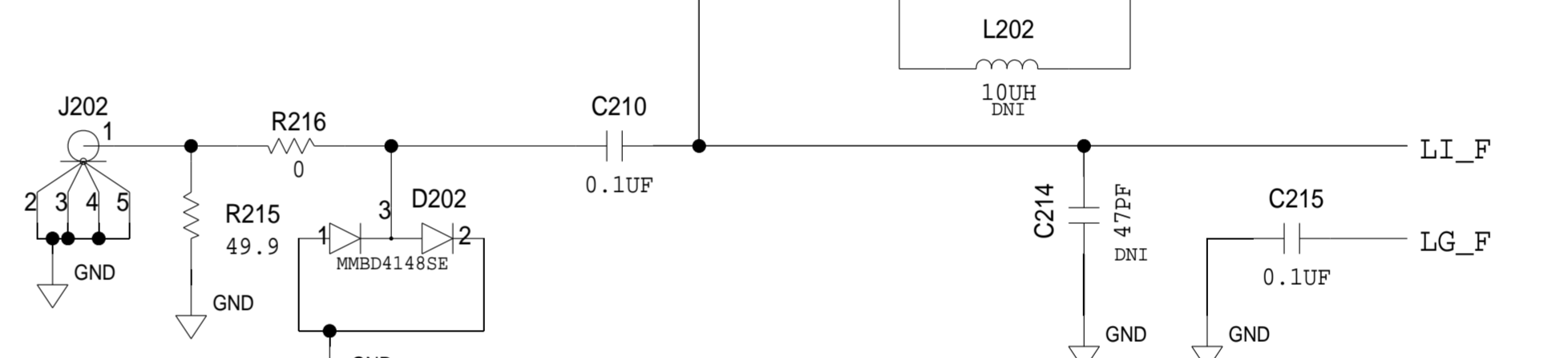
CHANNEL H INPUT



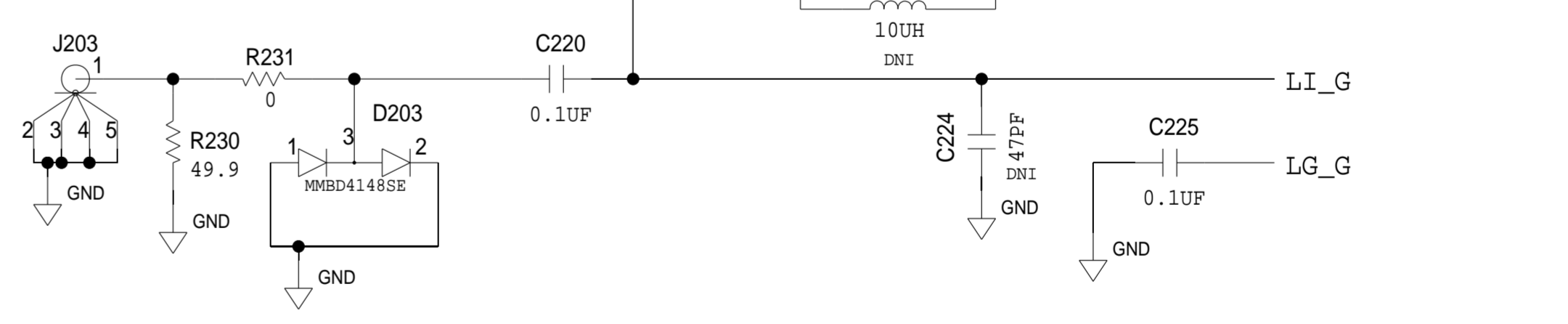
CHANNEL E INPUT



CHANNEL F INPUT

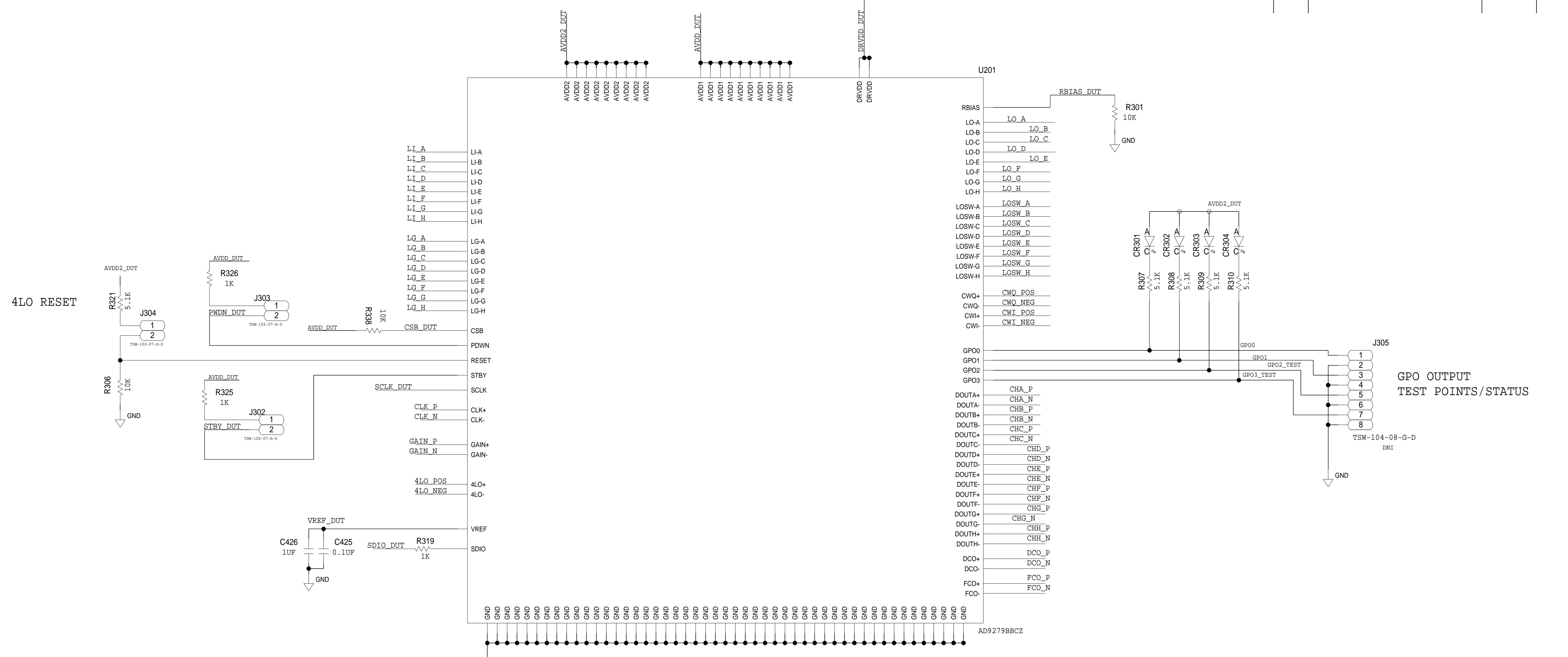


CHANNEL G INPUT

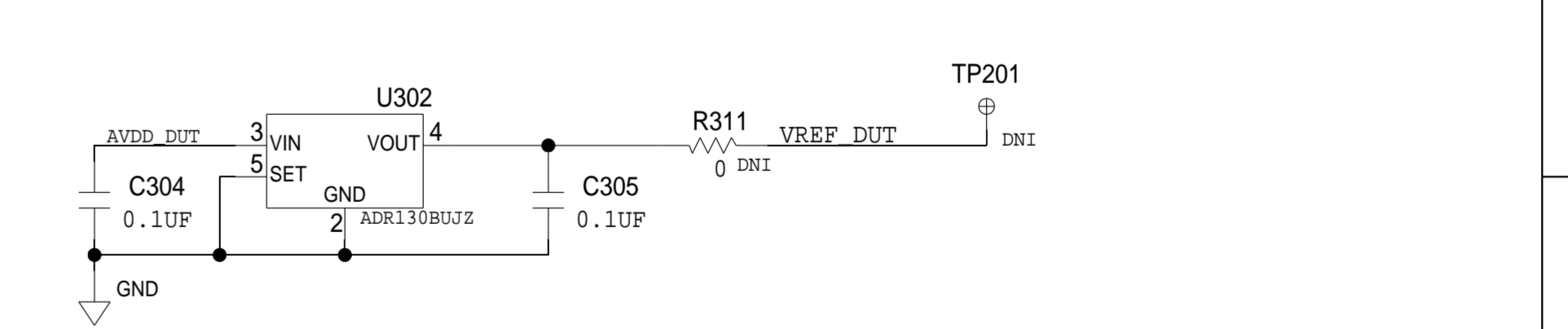


<p>THIS DRAWING IS THE PROPERTY OF ANALOG DEVICES INC. IT IS NOT TO BE REPRODUCED OR COPIED, IN WHOLE OR IN PART, OR USED IN FURNISHING INFORMATION TO OTHERS, OR FOR ANY OTHER PURPOSE DETRIMENTAL TO THE INTERESTS OF ANALOG DEVICES. THE EQUIPMENT SHOWN HEREIN MAY BE PROTECTED BY PATENTS OWNED OR CONTROLLED BY ANALOG DEVICES.</p>	SCHEMATIC			
	HW TYPE : Customer Evaluation Product(s) : AD9279-65EBZ : AD9278-50EBZ			
	DESIGN VIEW	DRAWING NO.		REV
	-	02_049678		B
PTD ENGINEER	SIZE	SCALE	SHEET 2 OF 7	
-	D	1:1		

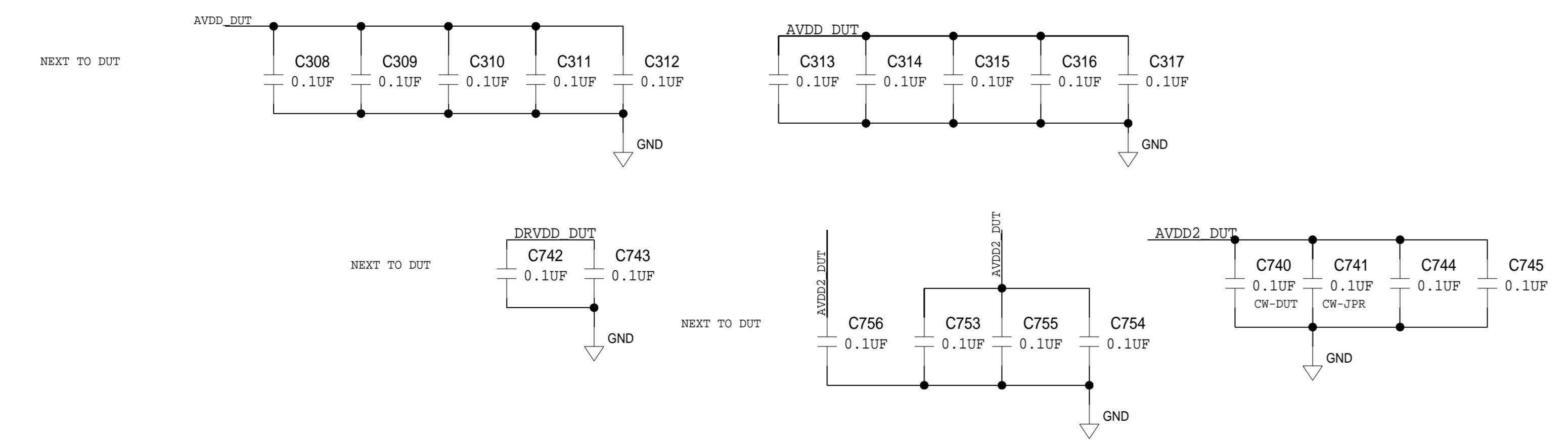
REVISIONS			
REV	DESCRIPTION	DATE	APPROVED



EXTERNAL VREF (OPTIONAL)



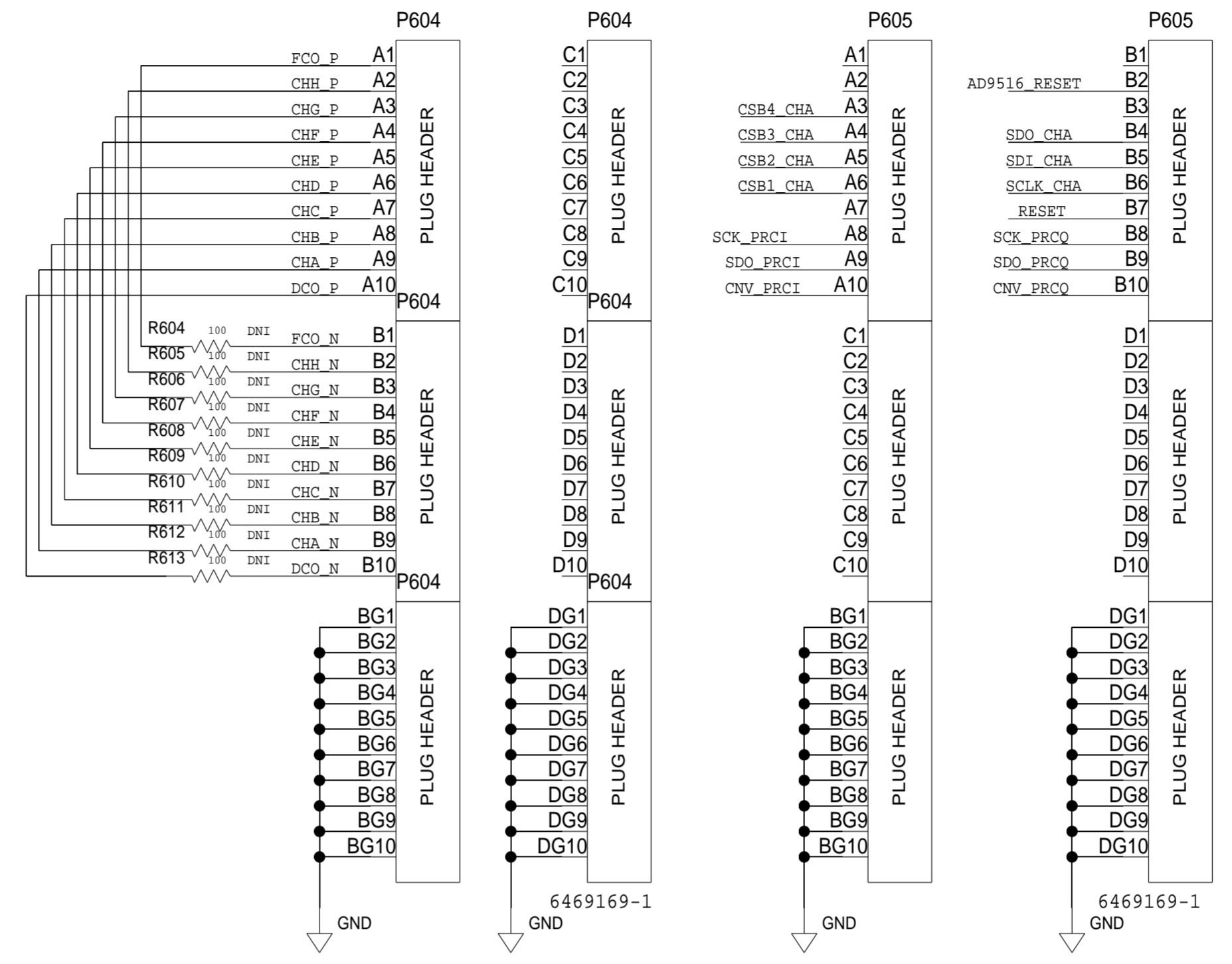
DECOUPLING CAPACITORS



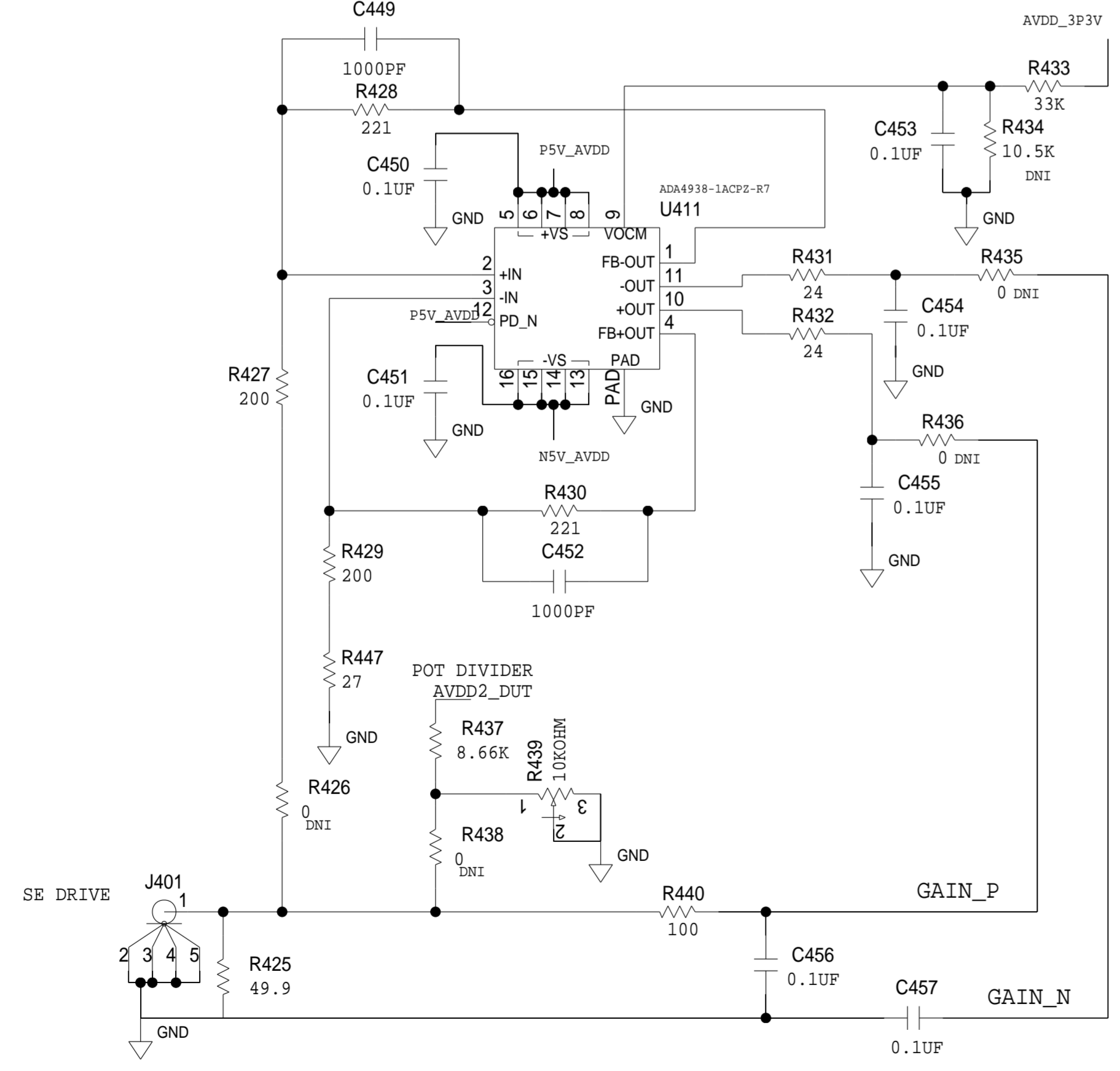
SCHEMATIC			
		HW TYPE : Customer Evaluation Product(s) : AD9279-65EBZ : AD9278-50EBZ	
DESIGN VIEW	-	DRAWING NO.	02_049678
PTD ENGINEER	-	REV	B
SIZE	D	SCALE	1:1
		SHEET	3 OF 7

REVISIONS			
REV	DESCRIPTION	DATE	APPROVED

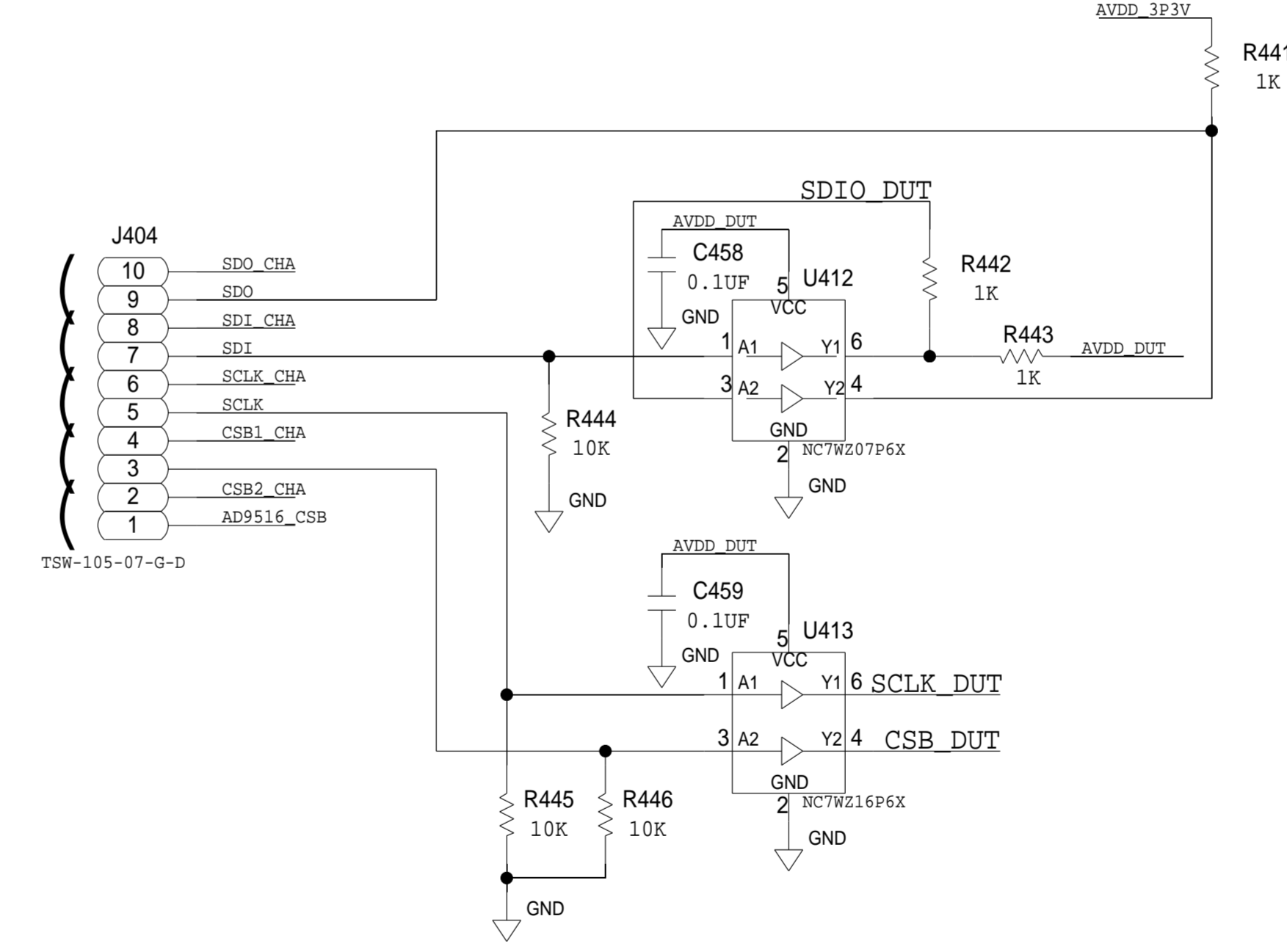
DIGITAL OUTPUTS & SPI TO FIFO5



GAIN DRIVE OPTIONS



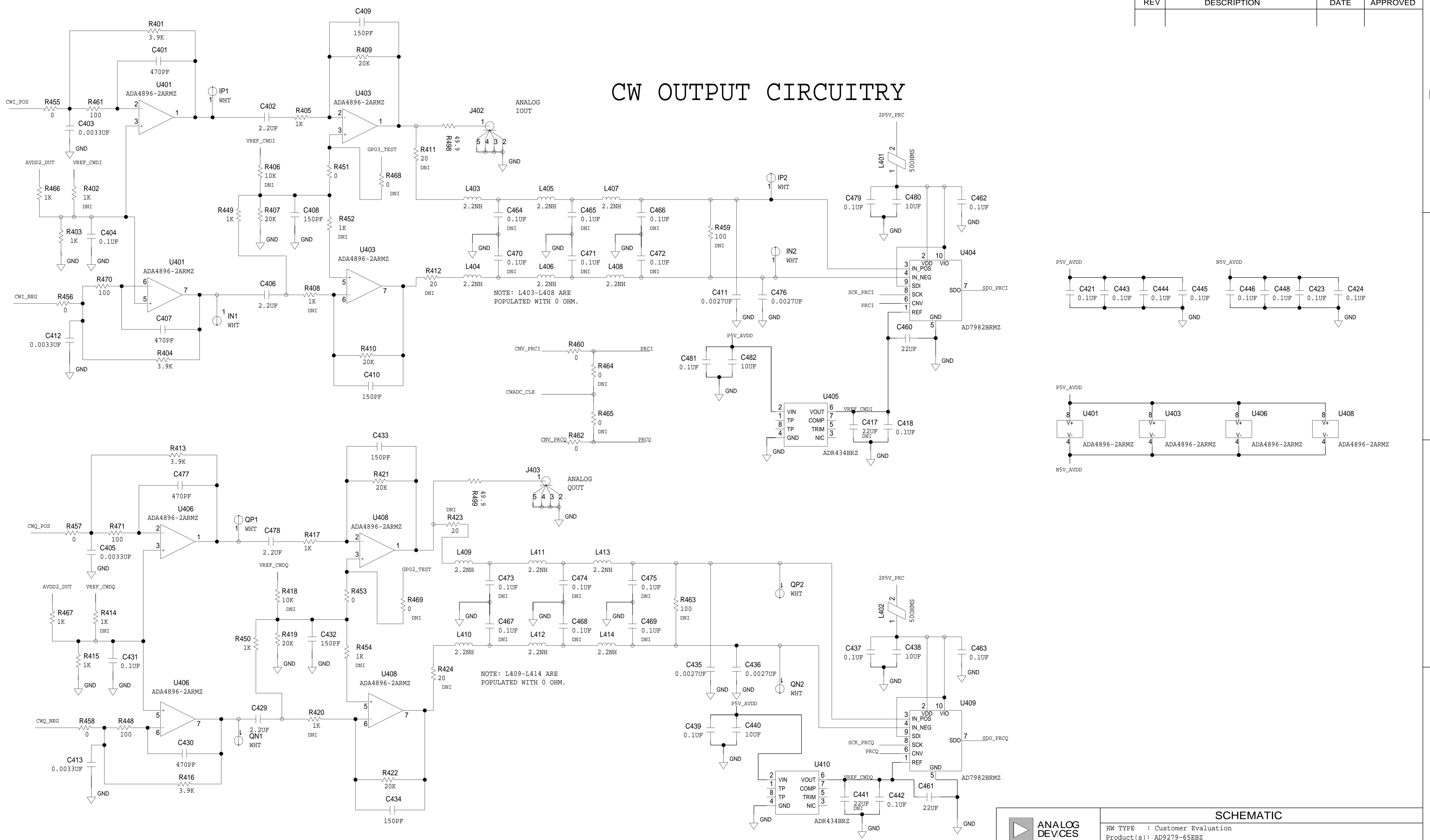
SPI CIRCUITRY



	SCHEMATIC		
	HW TYPE : Customer Evaluation Product(s) : AD9279-65EBZ : AD9278-50EBZ		
	DESIGN VIEW	DRAWING NO.	REV
	-	02_049678	B
PTD ENGINEER	SIZE	SCALE	SHEET 5 OF 7
-	D	1:1	

REVISIONS			
REV	DESCRIPTION	DATE	APPROVED

CW OUTPUT CIRCUITRY

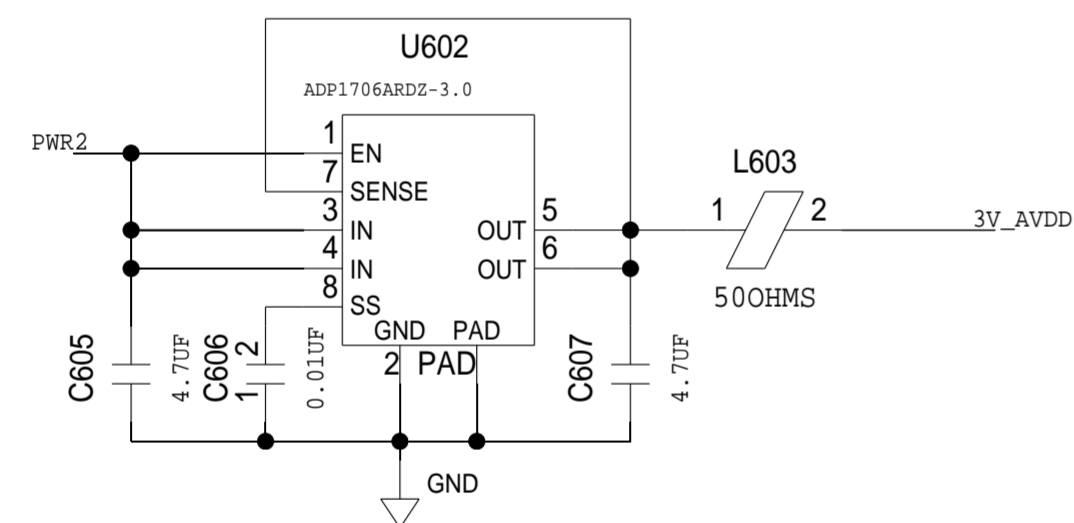
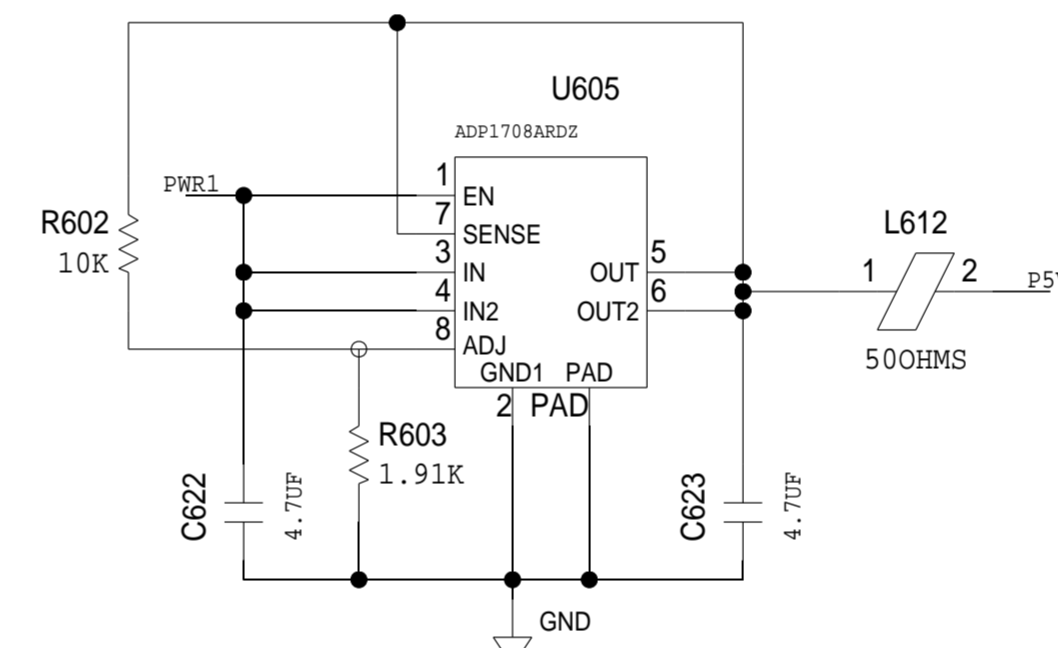
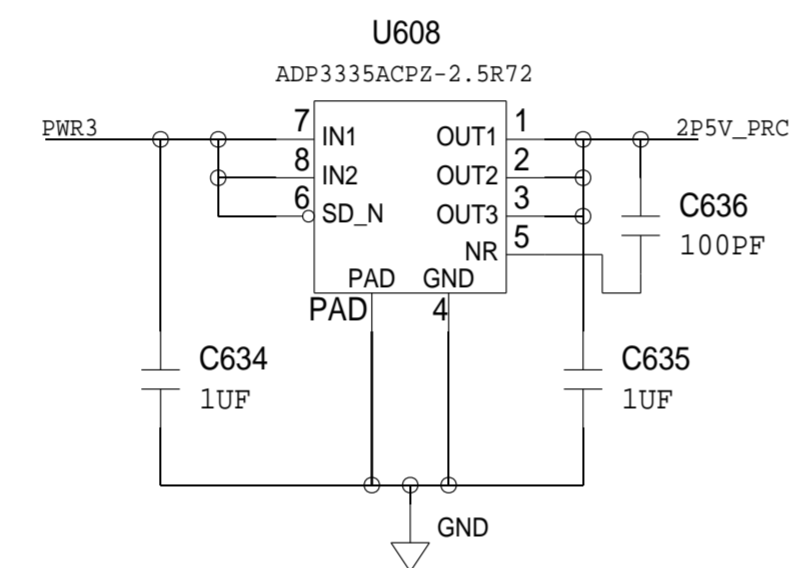
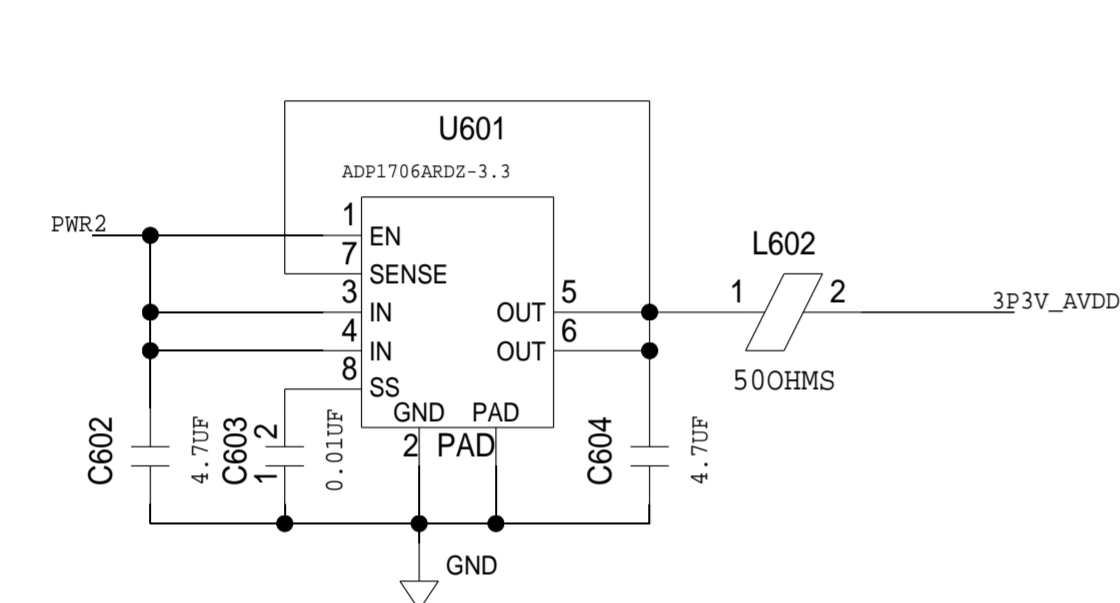
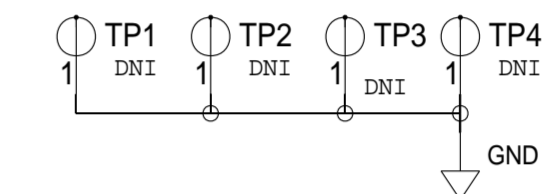
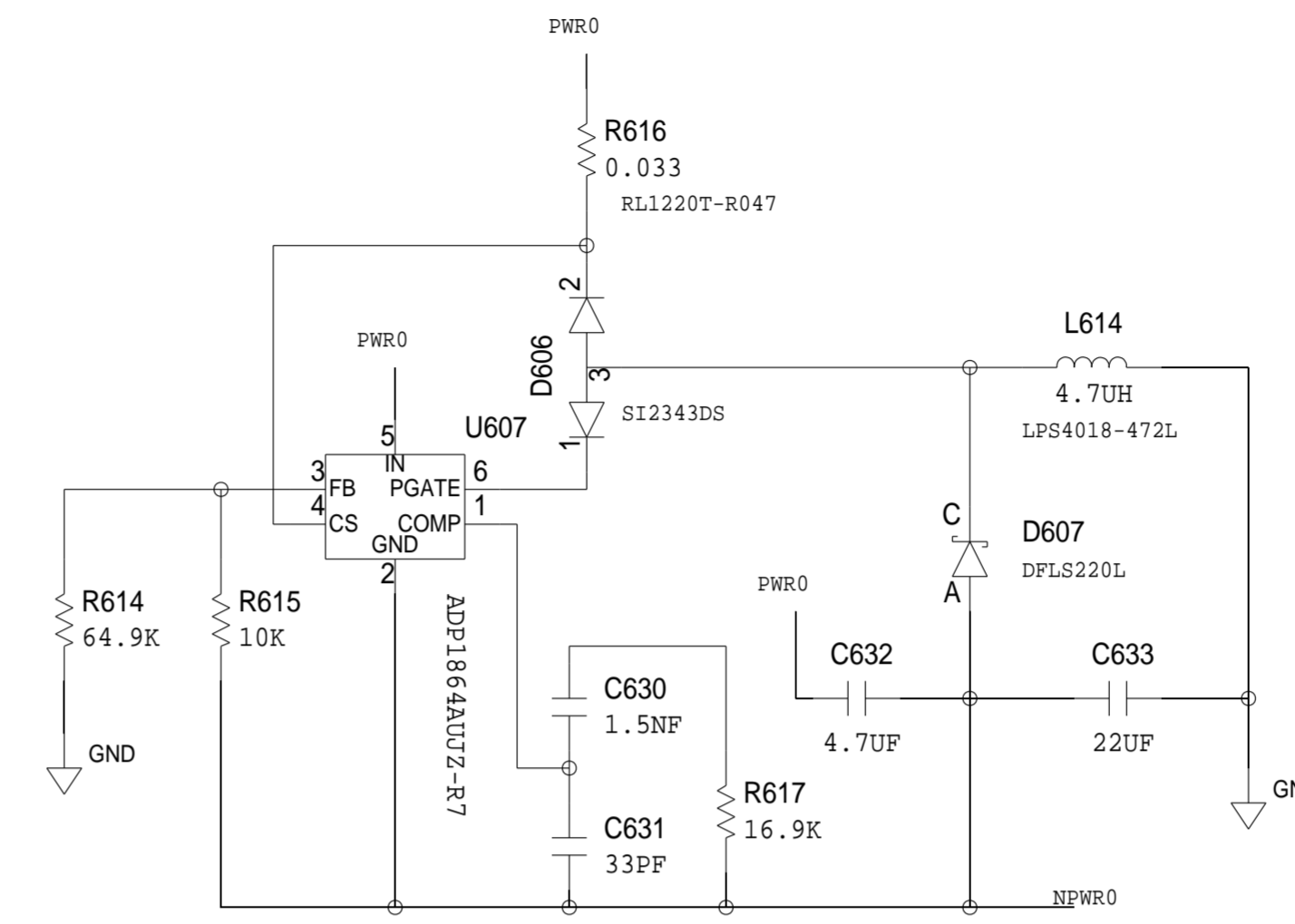
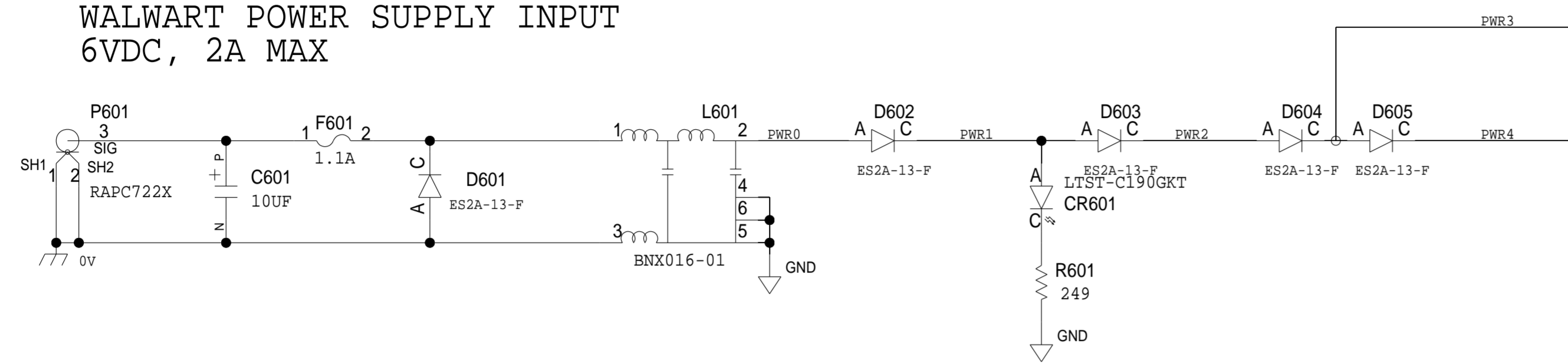


	SCHEMATIC		
	HW TYPE : Customer Evaluation Product(s) : AD9279-65EBZ : AD9278-50EBZ		
DESIGN VIEW	DRAWING NO.		REV
-	02_049678		B
PTD ENGINEER	SIZE	SCALE	SHEET 6 OF 7
-	D	1:1	

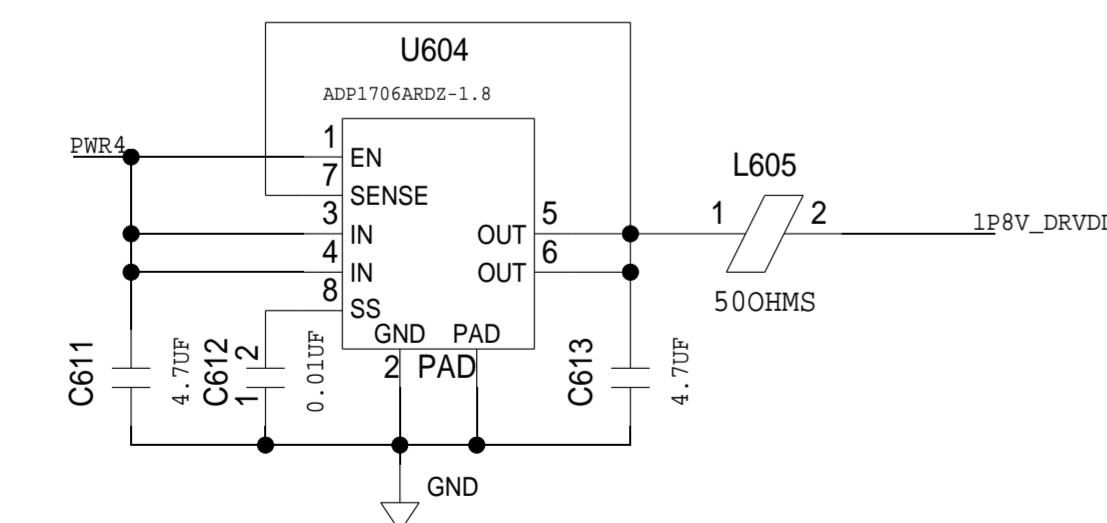
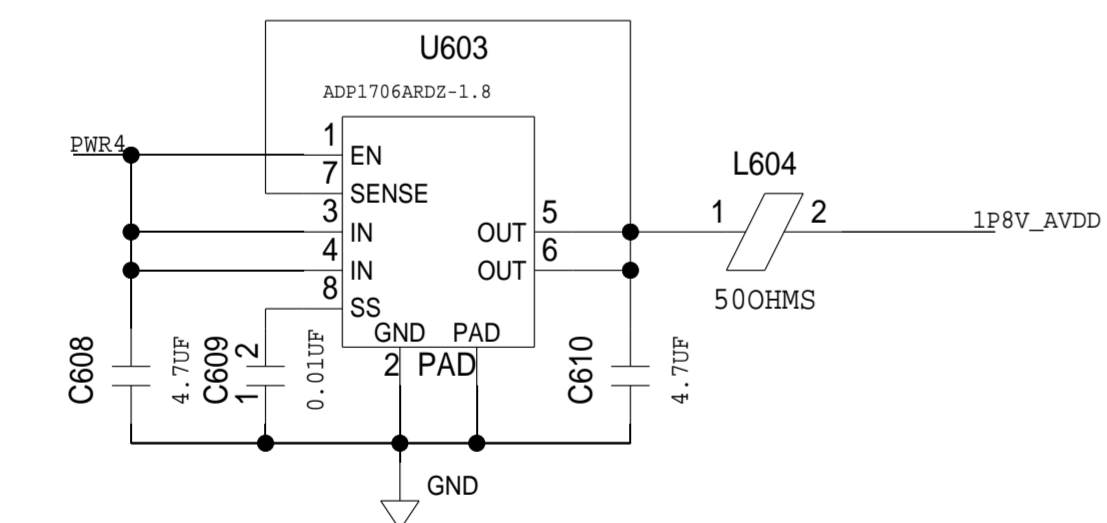
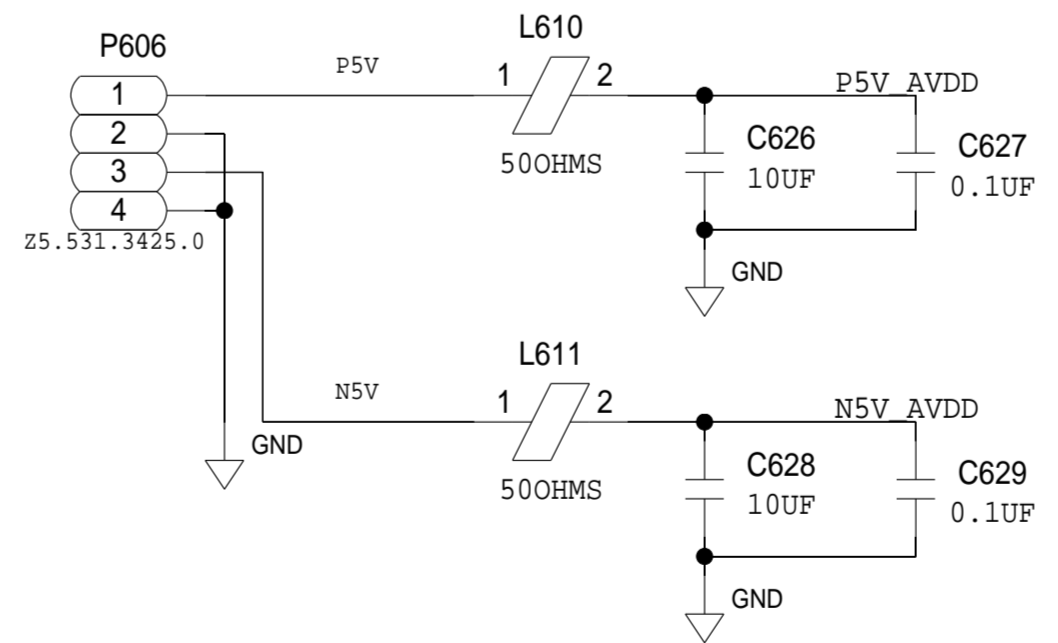
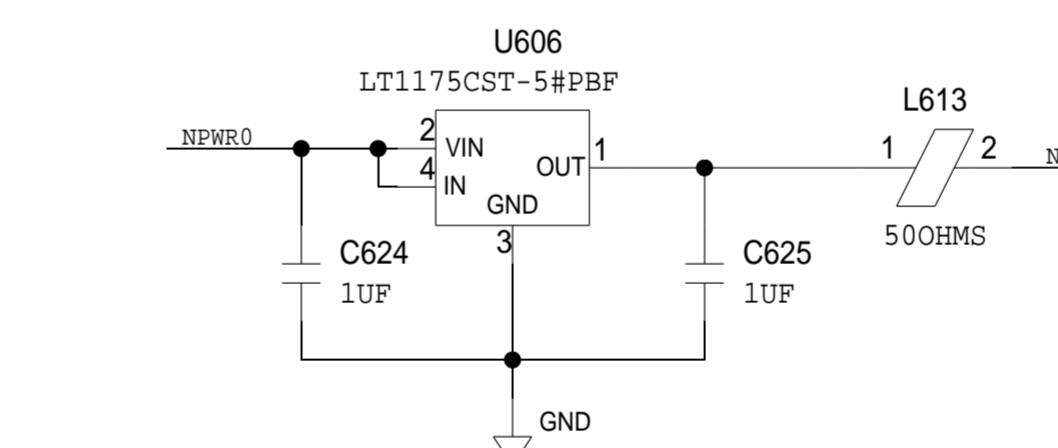
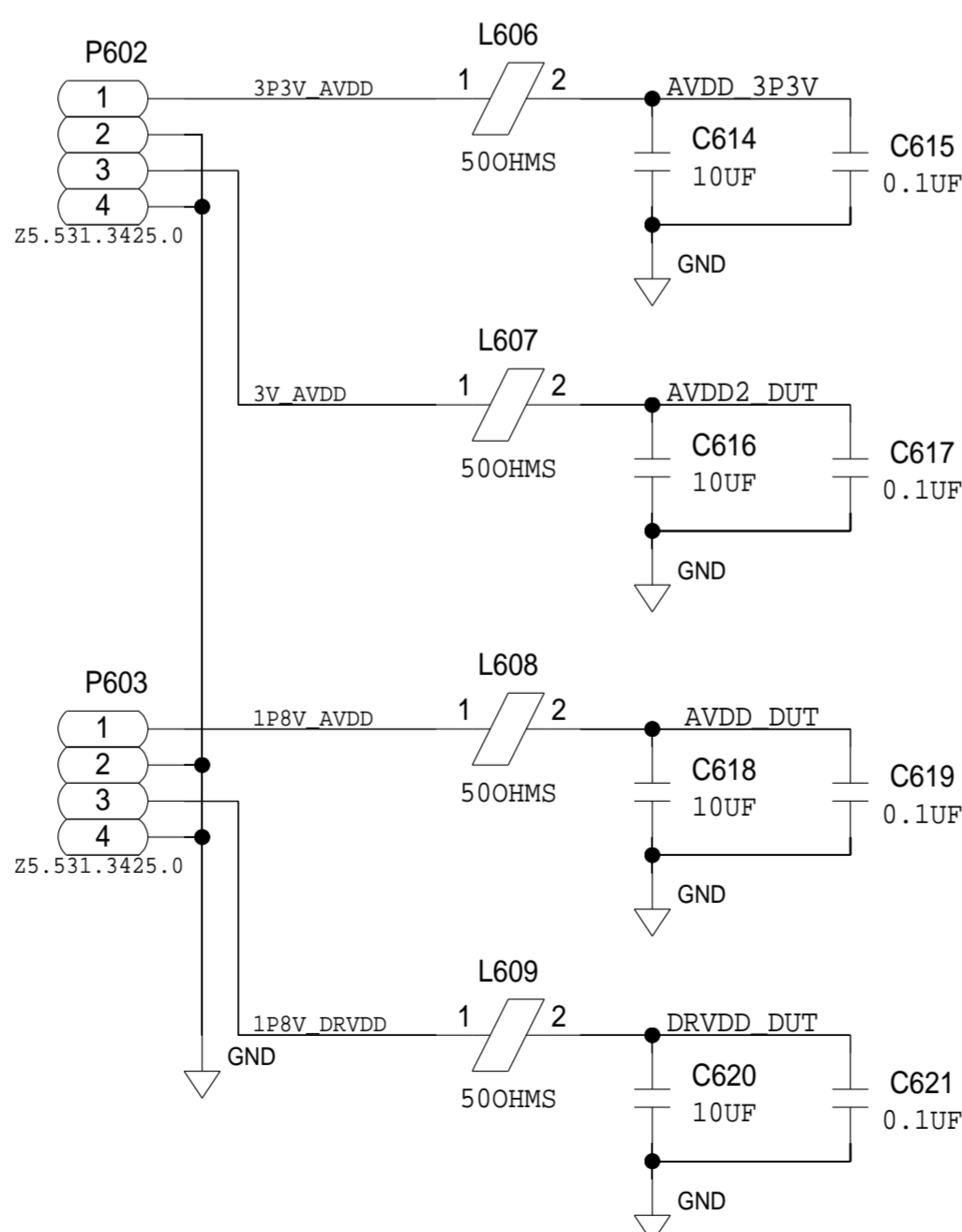
REVISIONS			
REV	DESCRIPTION	DATE	APPROVED

POWER SUPPLY

WALWART POWER SUPPLY INPUT
6VDC, 2A MAX



OPTIONAL POWER CONNECTIONS



	SCHEMATIC		
	HW TYPE : Customer Evaluation Product(s) : AD9279-65EBZ : AD9278-50EBZ		
DESIGN VIEW	DRAWING NO.		REV
-	02_049678		B
PTD ENGINEER	SIZE	SCALE	SHEET 7 OF 7
-	D	1:1	