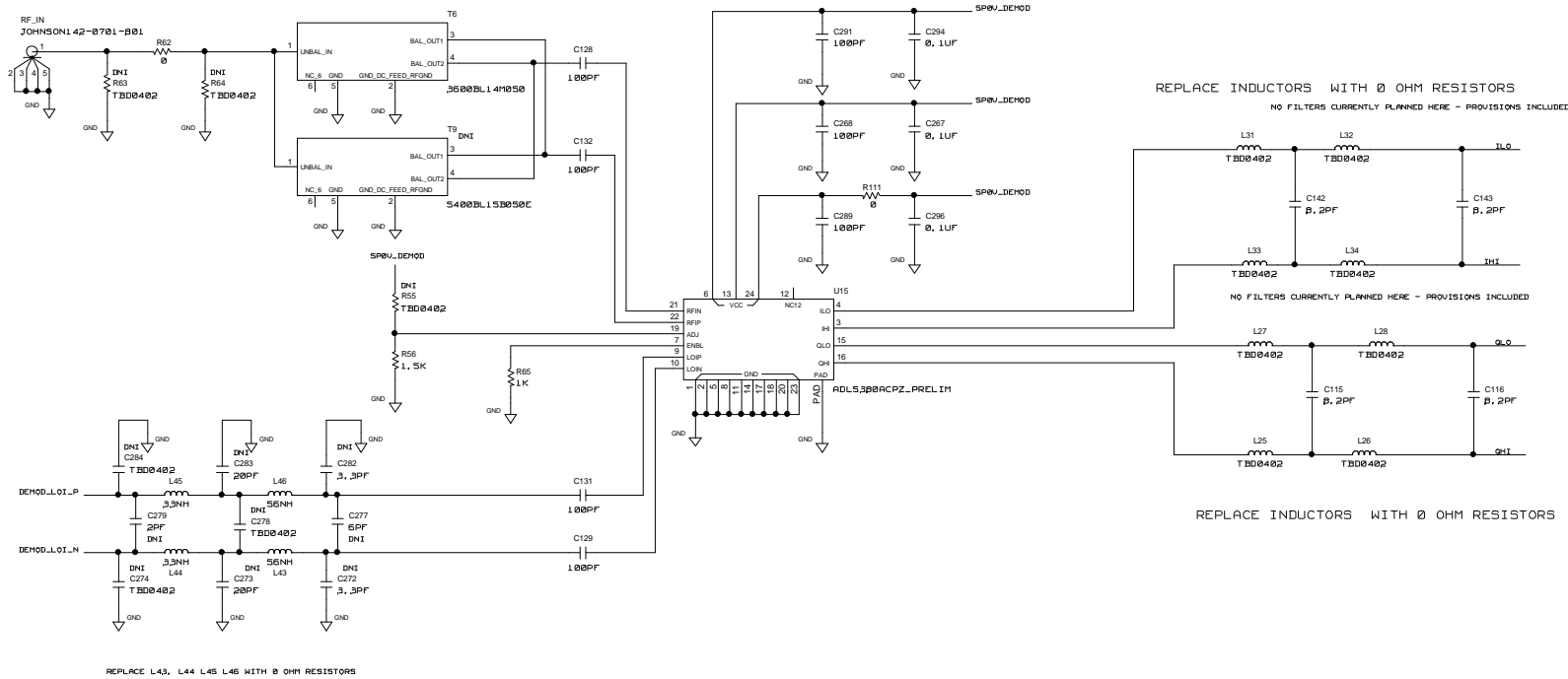


DEMODULATOR - ADL5380

REVISIONS			
REV	DESCRIPTION	DATE	APPROVED

RF_IN

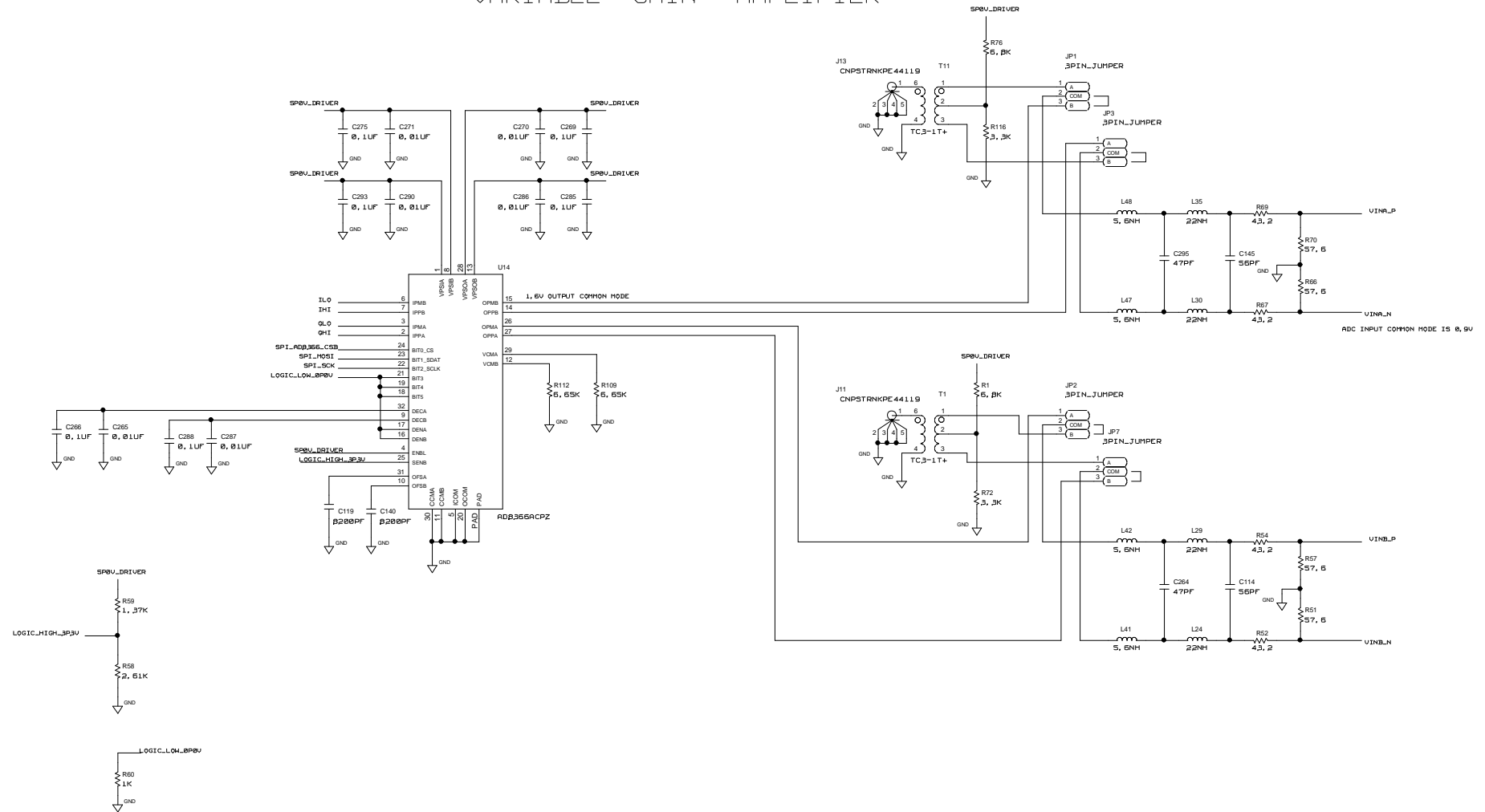


	SCHEMATIC		
	XCOMMS EVALUATION BOARD		
	<PRODUCT>		
	<PRODUCT-1>		
DESIGN VIEW	DRAWING NO.	REV	
<DESIGN_VIEW>	1101B	B	
PTD ENGINEER	SIZE	SCALE	
<PTD_ENGINEER>	D	<SCALE>	
	SHEET	OF	
	2	13	

ADC DRIVER - AD8366

VARIABLE GAIN AMPLIFIER

REVISIONS			
REV	DESCRIPTION	DATE	APPROVED



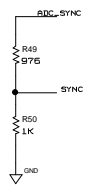
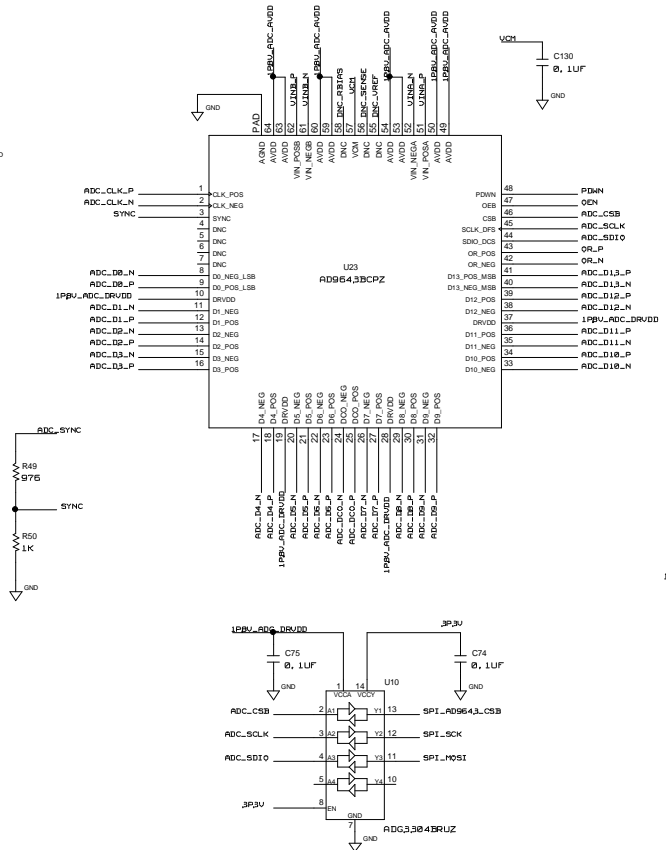
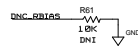
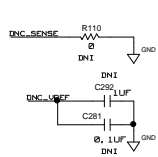
	SCHEMATIC		
	XCOMMS EVALUATION BOARD <PRODUCT> <PRODUCT-1>		
	DESIGN VIEW <DESIGN_VIEW>	DRAWING NO. 1101B	REV B
	PTD ENGINEER <PTD_ENGINEER>	SIZE SCALE D <SCALE>	SHEET 3 OF 13

ADC - AD964.3

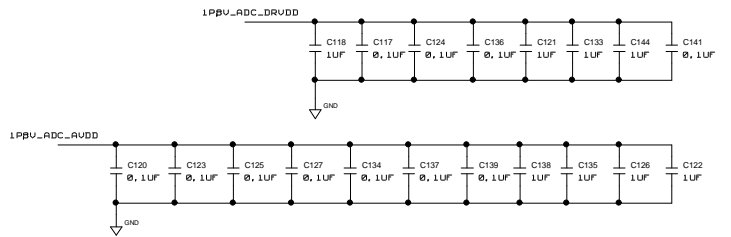
REVISIONS			
REV	DESCRIPTION	DATE	APPROVED

AD964.3/AD6649 ADC

EXTRA CIRCUITRY FOR AD925B COMPATIBILITY
NOT NEEDED FOR AD9643/AD6649



LAYOUT: DECOUPLING QUANTITY MAY VARY LAYOUT DEPENDING



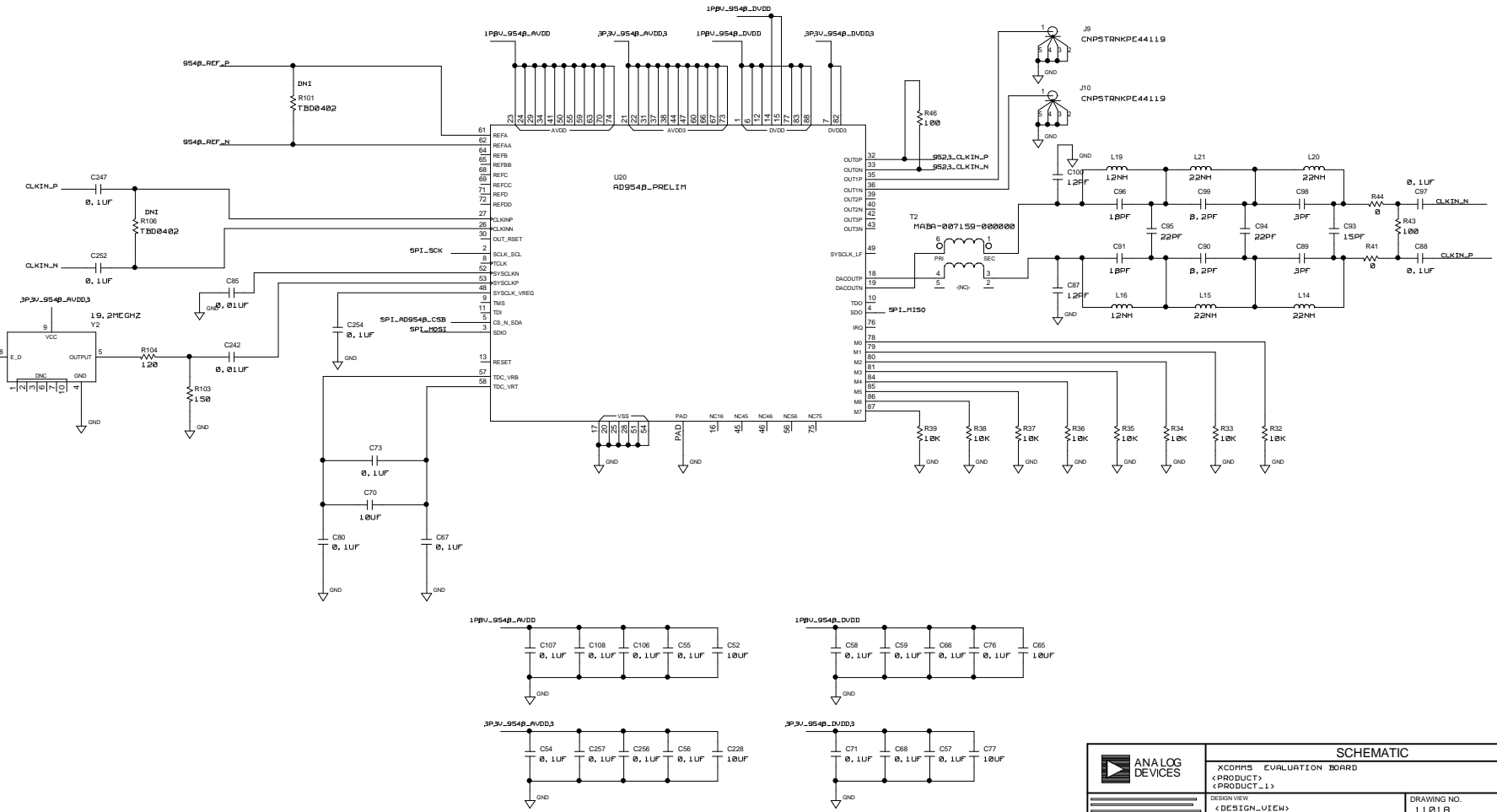
	SCHEMATIC		
	XCOMMS EVALUATION BOARD <PRODUCT> <PRODUCT-1>		
	DESIGN VIEW <DESIGN_VIEW>	DRAWING NO. 1101B	REV B
	PTD ENGINEER <PTD_ENGINEER>	SIZE D	SCALE <SCALE>

SHEET 4 OF 13

CLOCK SYNCHRONIZATION- AD9548

REVISIONS			
REV	DESCRIPTION	DATE	APPROVED

LAYOUT NOTES
ISOLATE PINS 14, 15 FROM REST OF 1PBV_9548_DVDD

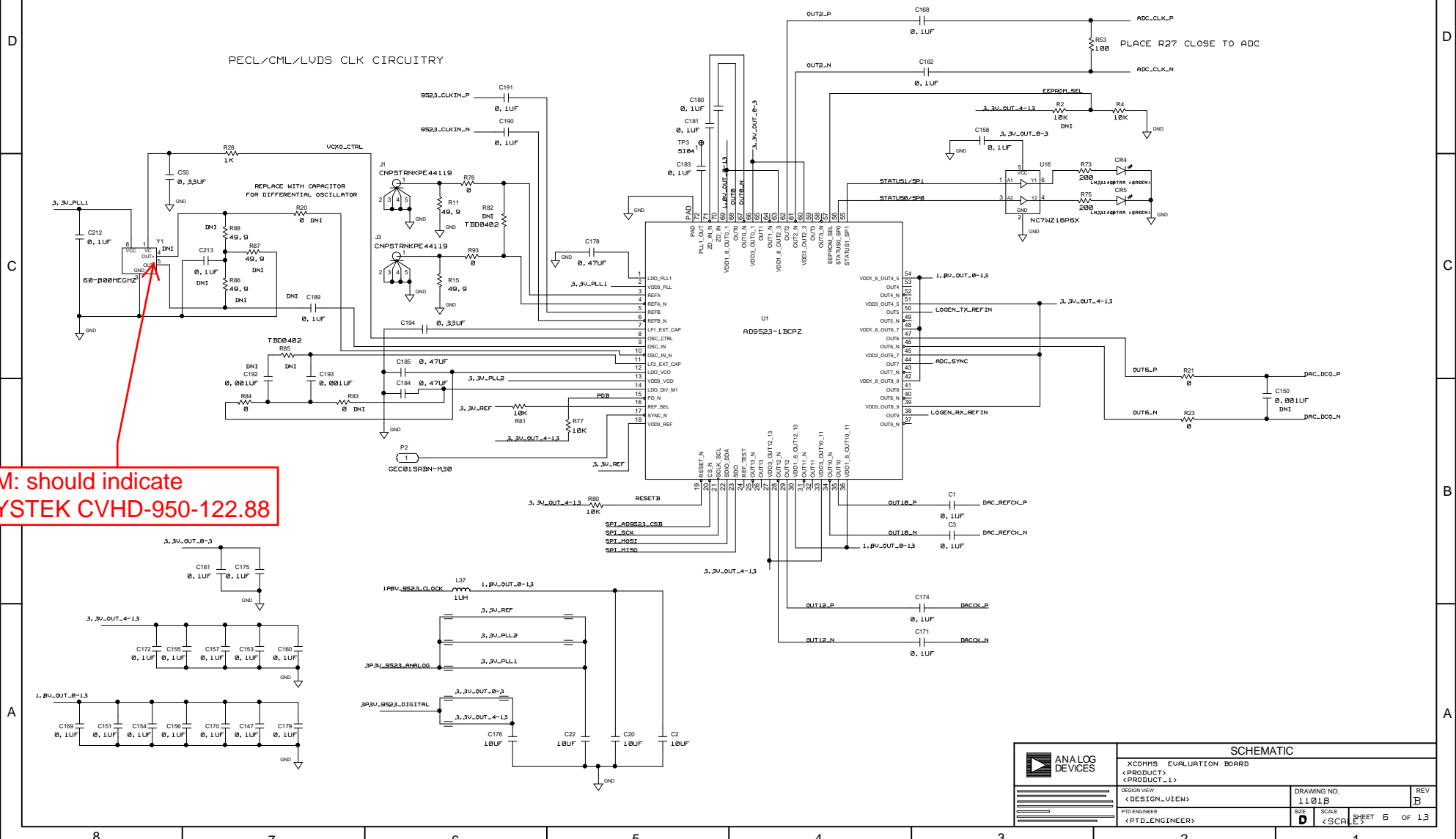


	SCHEMATIC		
	XCORMS EVALUATION BOARD		
	<PRODUCT>		
	<PRODUCT-1>		
DESIGN VIEW	DRAWING NO.	REV	
<DESIGN_VIEW>	1101B	B	
PTD ENGINEER	SCALE	SHEET 5 OF 13	
<PTD_ENGINEER>	D <SCALE>	E	

CLOCKING - AD9523-1

REVISIONS			
REV	DESCRIPTION	DATE	APPROVED

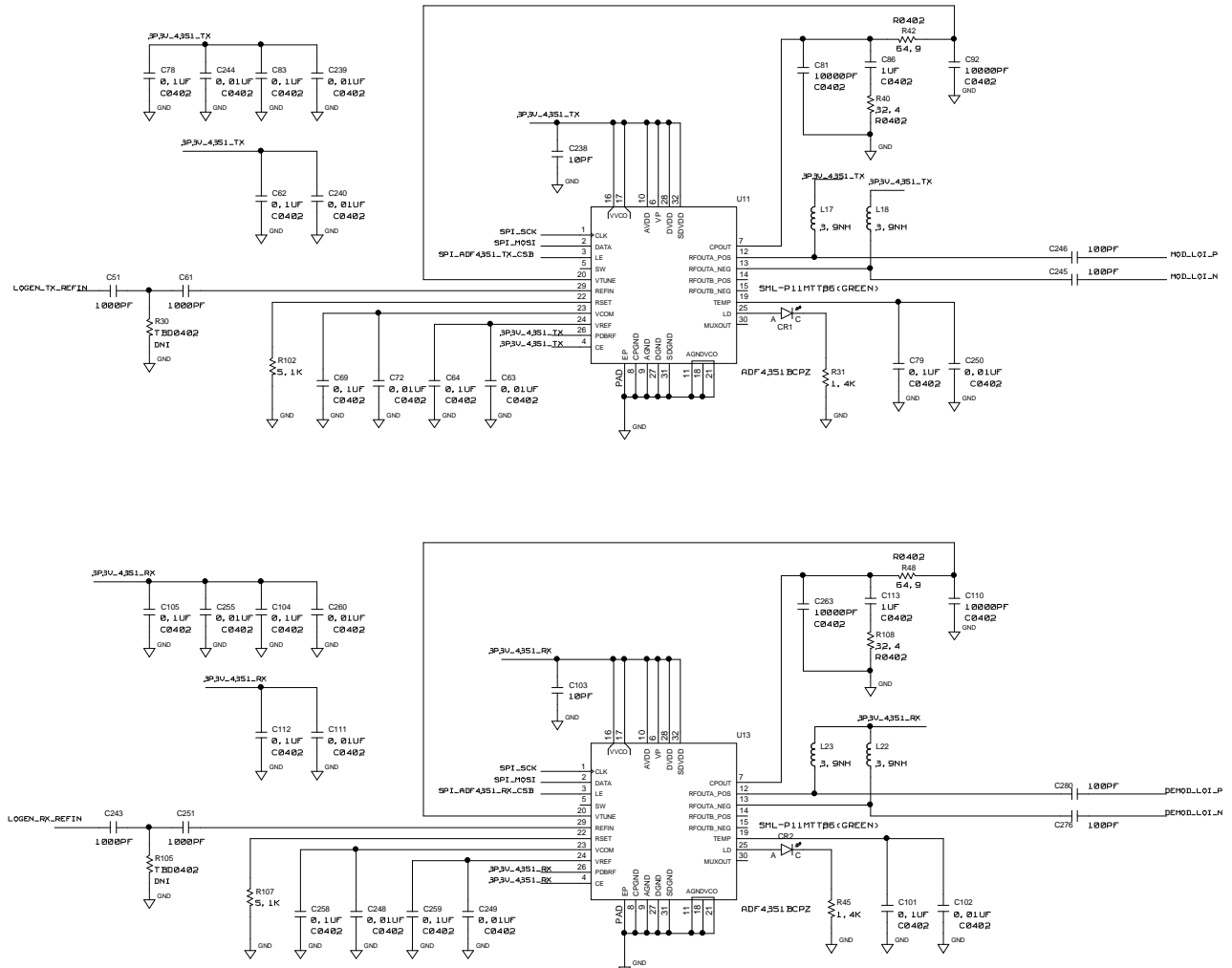
PECL/CM/LVDS CLK CIRCUITRY



SCHEMATIC			
XCOMMS EVALUATION BOARD			
<PRODUCT> <PRODUCT-1>			
DESIGNVIEW	DRAWING NO.	REV	
<DESIGN_VIEW>	1101B	B	
PTD ENGINEER	SCALE	SHEET	OF
<PTD_ENGINEER>	D <SCALE>	E	13

LO GENERATION - ADF4351

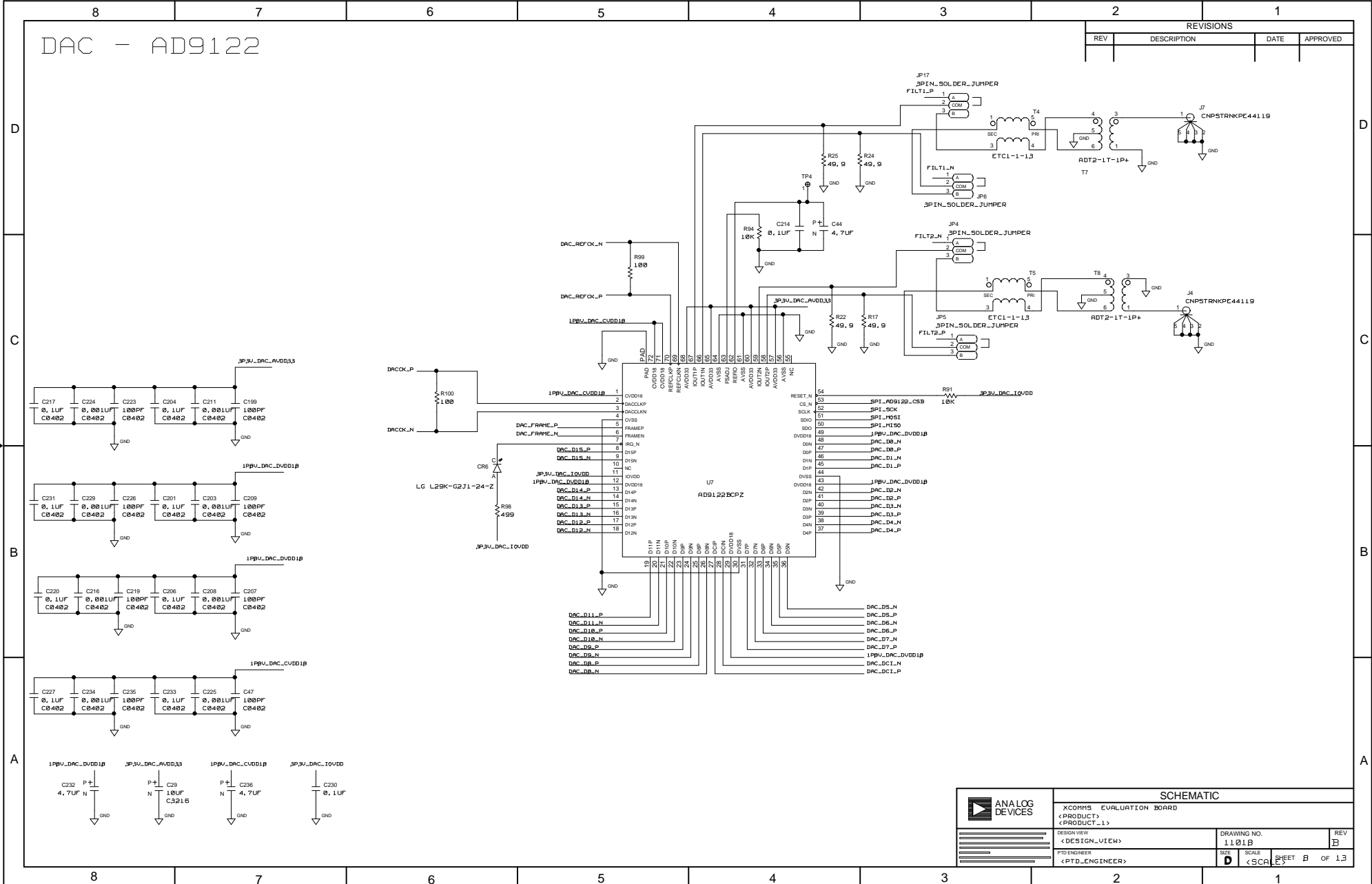
REVISIONS			
REV	DESCRIPTION	DATE	APPROVED



		SCHEMATIC	
		XCOMMS EVALUATION BOARD <PRODUCT> <PRODUCT-1>	
DESIGN VIEW <DESIGN_VIEW>	DRAWING NO. 1101B	REV B	
PTD ENGINEER <PTD_ENGINEER>	SIZE D <SCALE>	SHEET 7 OF 13	

DAC - AD9122

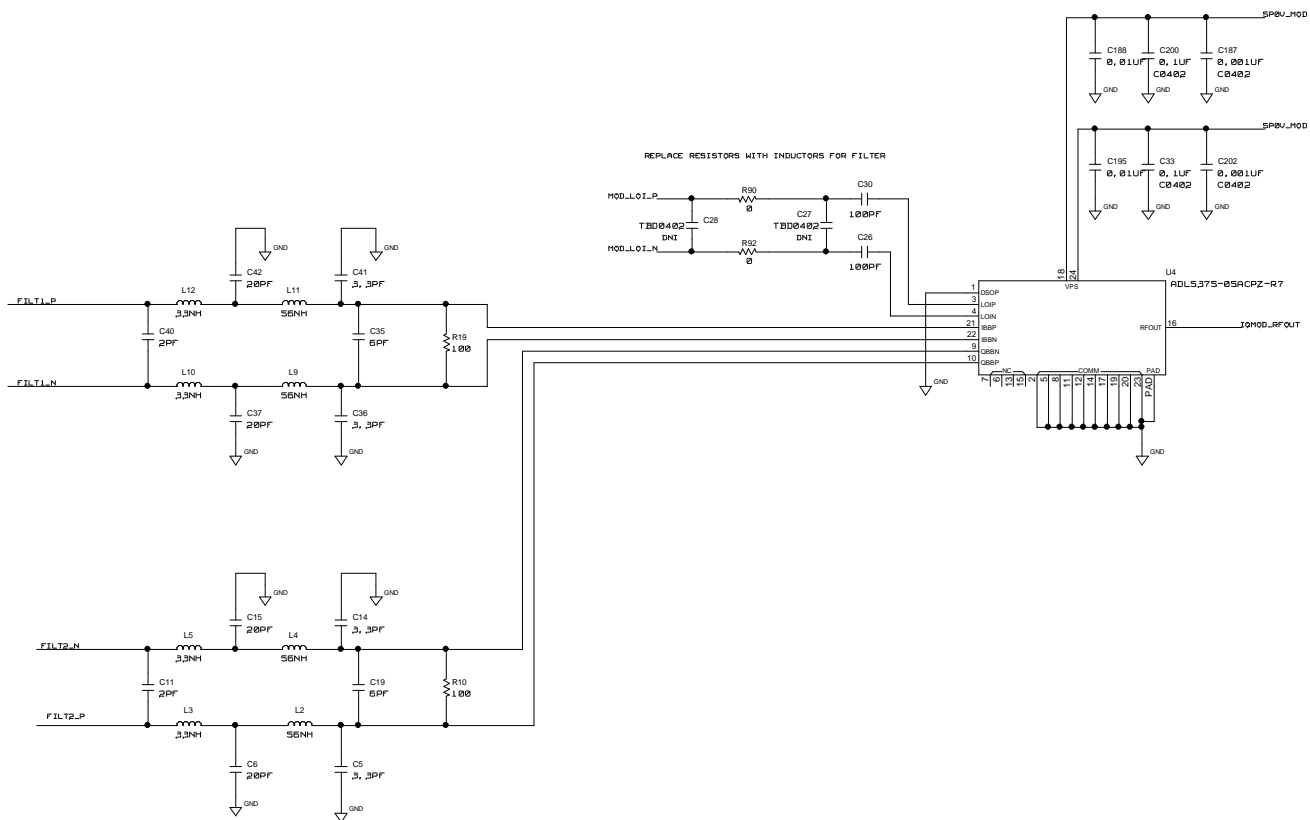
REVISIONS			
REV	DESCRIPTION	DATE	APPROVED



	SCHEMATIC		
	XCOMMS EVALUATION BOARD		
	<PRODUCT>		
	<PRODUCT-1>		
DESIGN VIEW	DRAWING NO.	REV	
<DESIGN_VIEW>	1101B	B	
PTD ENGINEER	SIZE	SCALE	
<PTD_ENGINEER>	D	<SCALE>	
	SHEET	OF	
	B	13	

MODULATOR - ADL5.375

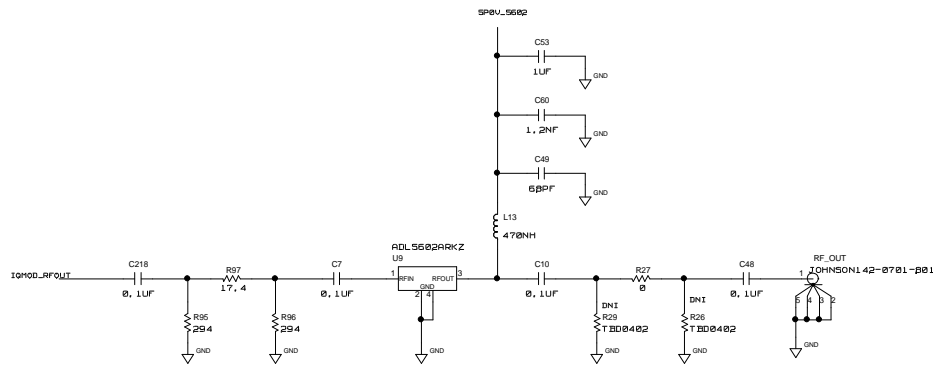
REVISIONS			
REV	DESCRIPTION	DATE	APPROVED



	SCHEMATIC		
	XCOMMS EVALUATION BOARD		
	<PRODUCT> <PRODUCT-1>		
	DESIGN VIEW <DESIGN_VIEW>	DRAWING NO. 1101B	REV B
PTD ENGINEER <PTD_ENGINEER>	SIZE D	SCALE <SCALE>	
		SHEET 9 OF 13	

REVISIONS			
REV	DESCRIPTION	DATE	APPROVED

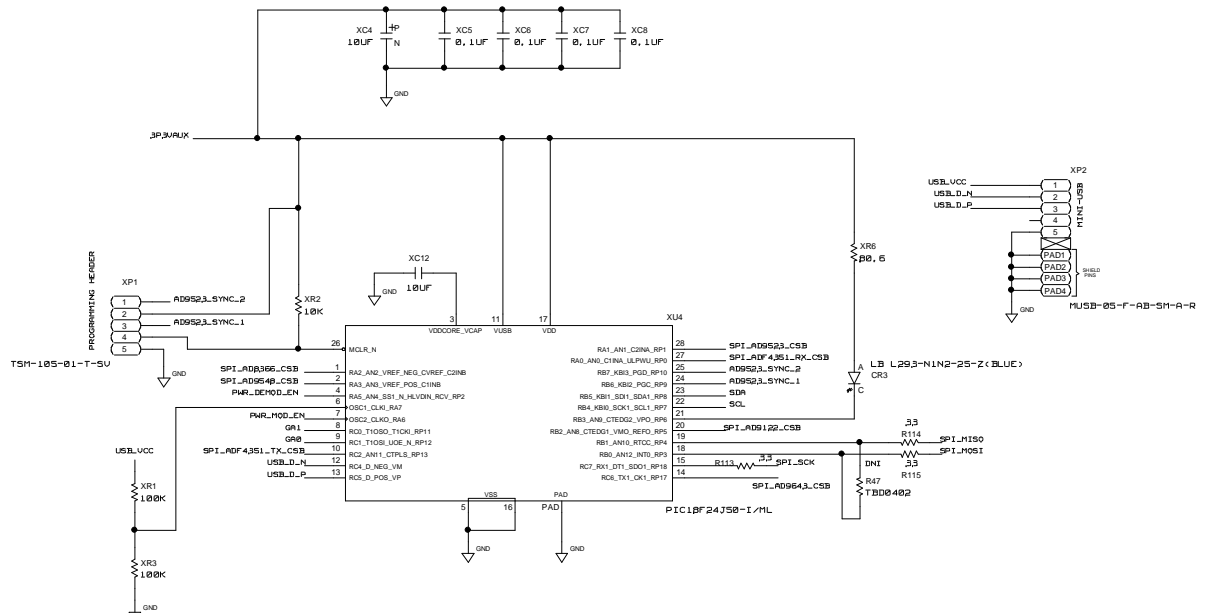
GAIN BLOCK - ADL5602



	SCHEMATIC		
	XCOMMS EVALUATION BOARD		
	<PRODUCT>		
	<PRODUCT_1>		
DESIGN VIEW	DRAWING NO.	REV	
<DESIGN_VIEW>	1101B	B	
PTD ENGINEER	SIZE	SCALE	
<PTD_ENGINEER>	D	<SCALE>	
		SHEET 10 OF 13	

USB

REVISIONS			
REV	DESCRIPTION	DATE	APPROVED



4-WIRE SPI VERSION

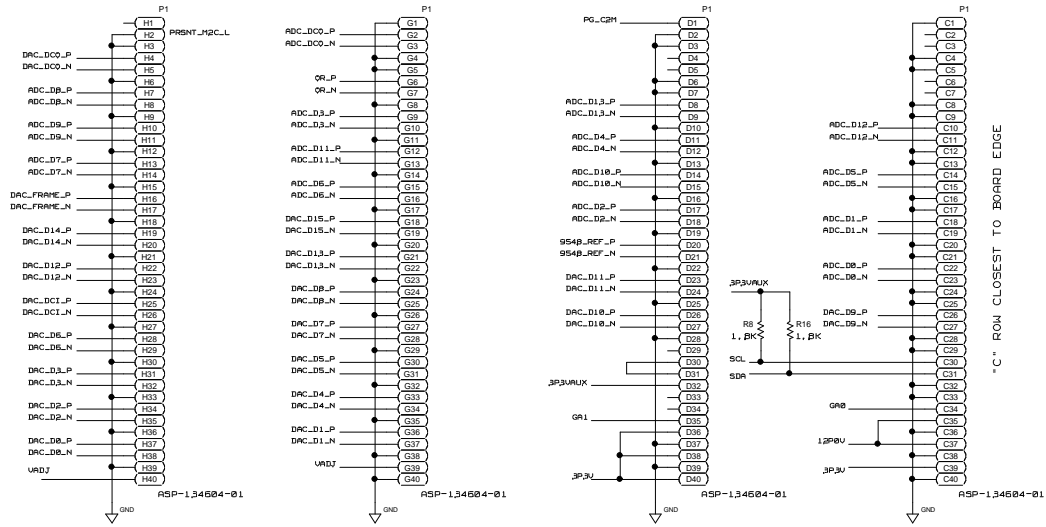
	SCHEMATIC		
	XC00MS EVALUATION BOARD <PRODUCT> <PRODUCT-1>		
DESIGN VIEW <DESIGN_VIEW>	DRAWING NO. 1101B	REV B	
PTD ENGINEER <PTD_ENGINEER>	SIZE D	SCALE <SCALE>	SHEET 11 OF 13

FMC

REVISIONS			
REV	DESCRIPTION	DATE	APPROVED

LAYOUT NOTES:

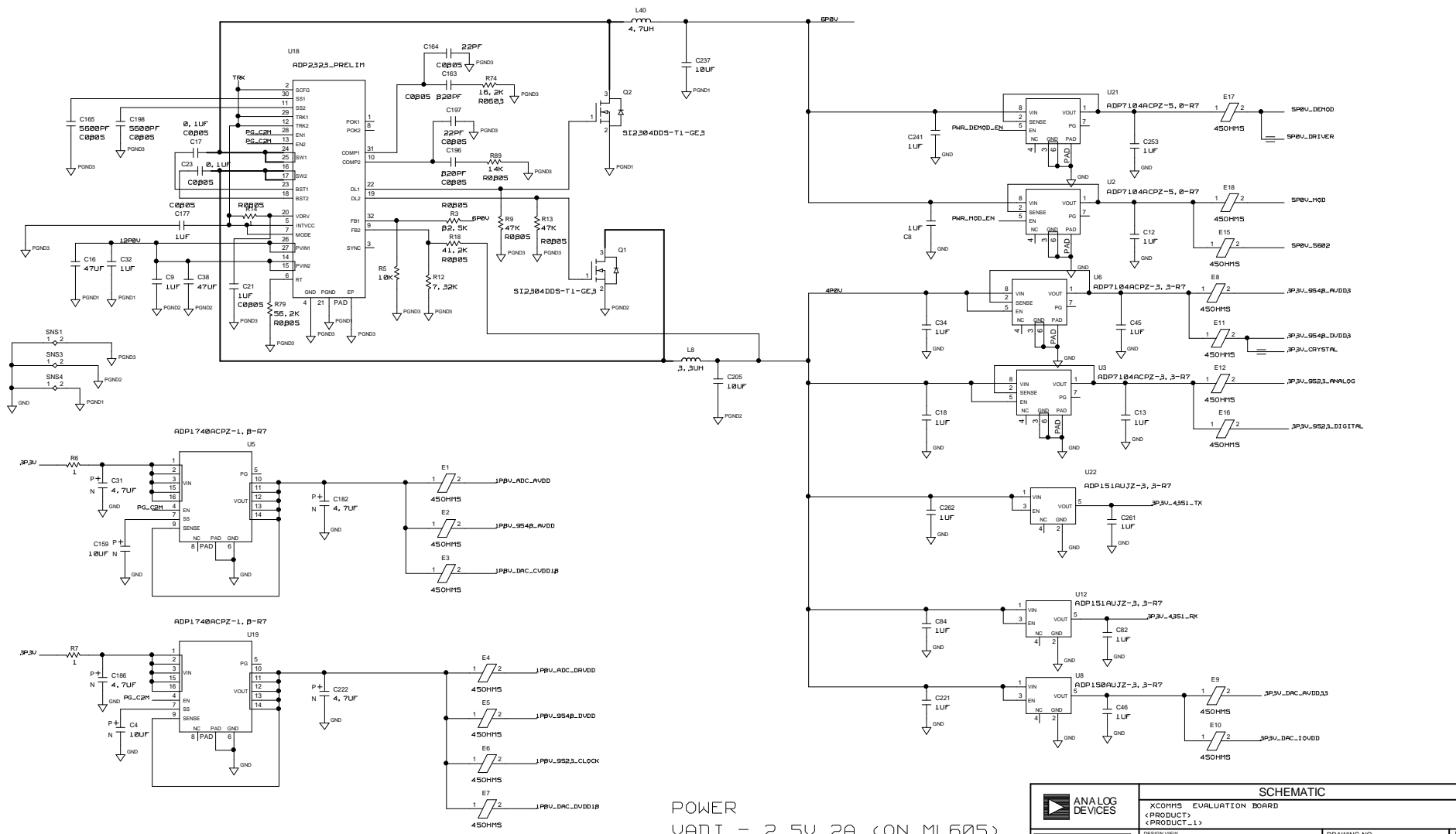
ALL LINES MATCHED LENGTH (MATCHING MORE CRITICAL THAN LINE LENGTH)
 PDB00X & PID00X & DCIO0_P/N



* C * FROM CLOSEST TO BOARD EDGE

	SCHEMATIC		
	XCOMMS EVALUATION BOARD <PRODUCT> <PRODUCT-1>		
	DESIGN VIEW < DESIGN_VIEW >	DRAWING NO. 1101B	REV B
	PTD ENGINEER <PTD_ENGINEER>	SIZE D	SCALE <SCALE>
		SHEET 12 OF 13	

REVISIONS			
REV	DESCRIPTION	DATE	APPROVED



POWER
 VADJ - 2.5V 2A (ON ML605)
 3P3V - 3.3V 3A

	SCHEMATIC		
	XCOMMS EVALUATION BOARD		
	<PRODUCT> <PRODUCT-1>		
	DESIGN VIEW <DESIGN_VIEW>	DRAWING NO. 1101B	REV B
PTD ENGINEER <PTD_ENGINEER>	SIZE D <SCALE>	SHEET 13 OF 13	