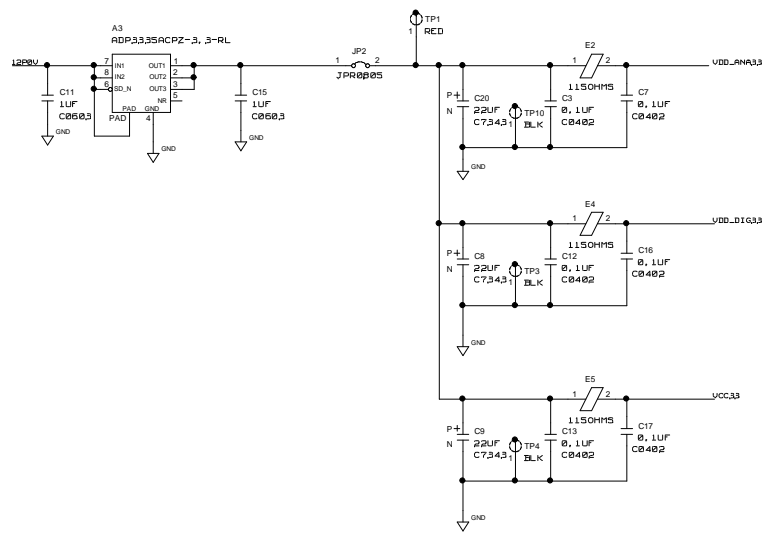
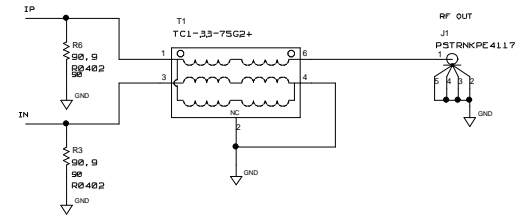
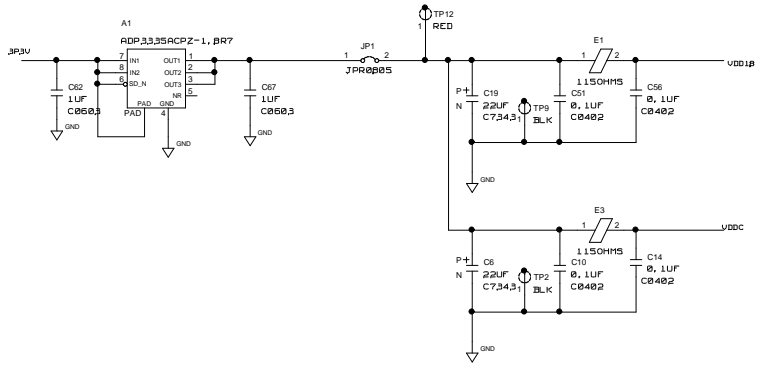


8 7 6 5 4 3 2 1

REVISIONS			
REV	DESCRIPTION	DATE	APPROVED



D

C

B

A

D

C

B

A

8 7 6 5 4 3 2 1

	<b>SCHEMATIC</b>		
	AD9739A-FMC-EBZ EVALUATION BOARD		
	<PRODUCT> <PRODUCT-1>		
	DESIGN VIEW <DESIGN_VIEW>	DRAWING NO. 11011	REV B
PTD ENGINEER <PTD_ENGINEER>	SIZE D	SCALE <SCALE>	
		SHEET 3 OF 6	

8 7 6 5 4 3 2 1

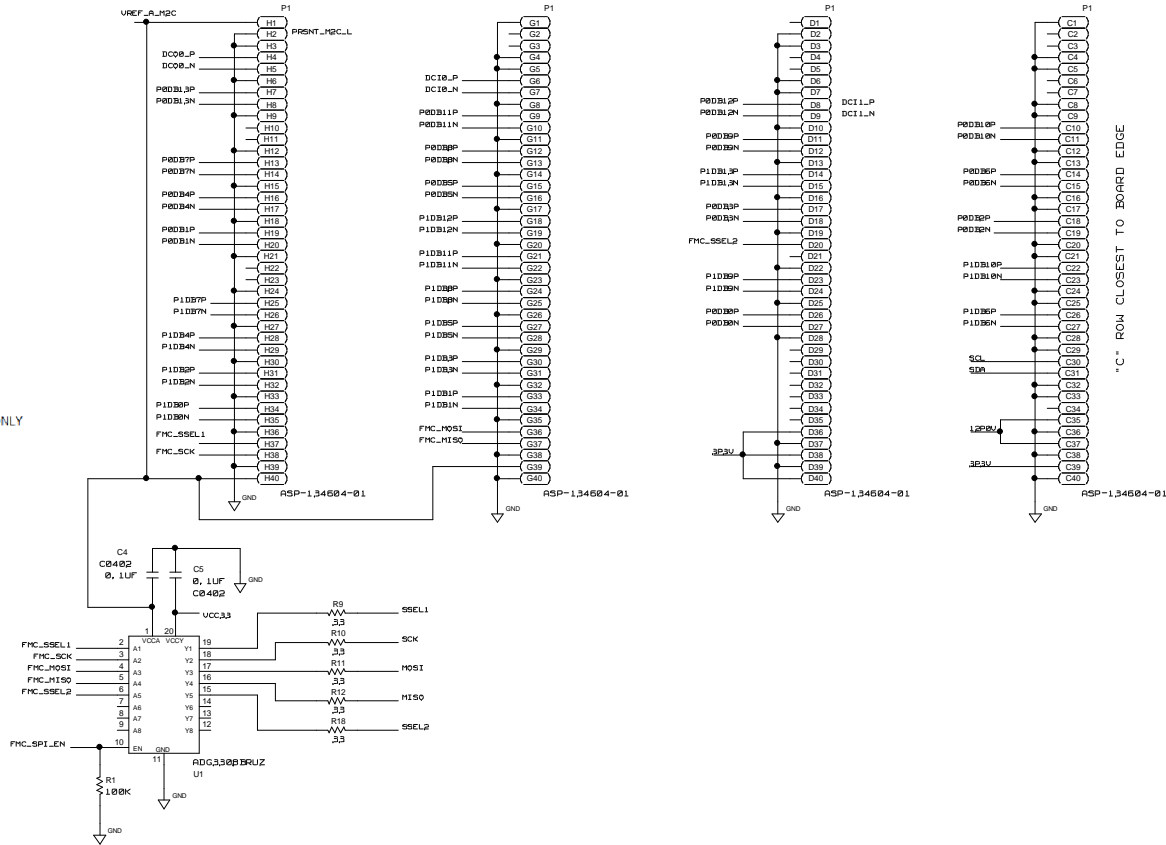
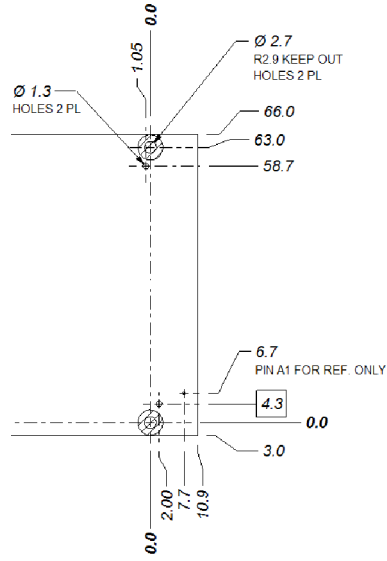
LAYOUT NOTES:

ALL LINES MATCHED LENGTH (MATCHING MORE CRITICAL THAN LINE LENGTH)  
 P0DBKX & P1DBKX & DCIO.P/N

REVISIONS			
REV	DESCRIPTION	DATE	APPROVED

PCB NOTES:

PCB DIMENSIONS AS FOLLOWS, PER VITA-57 SPEC:



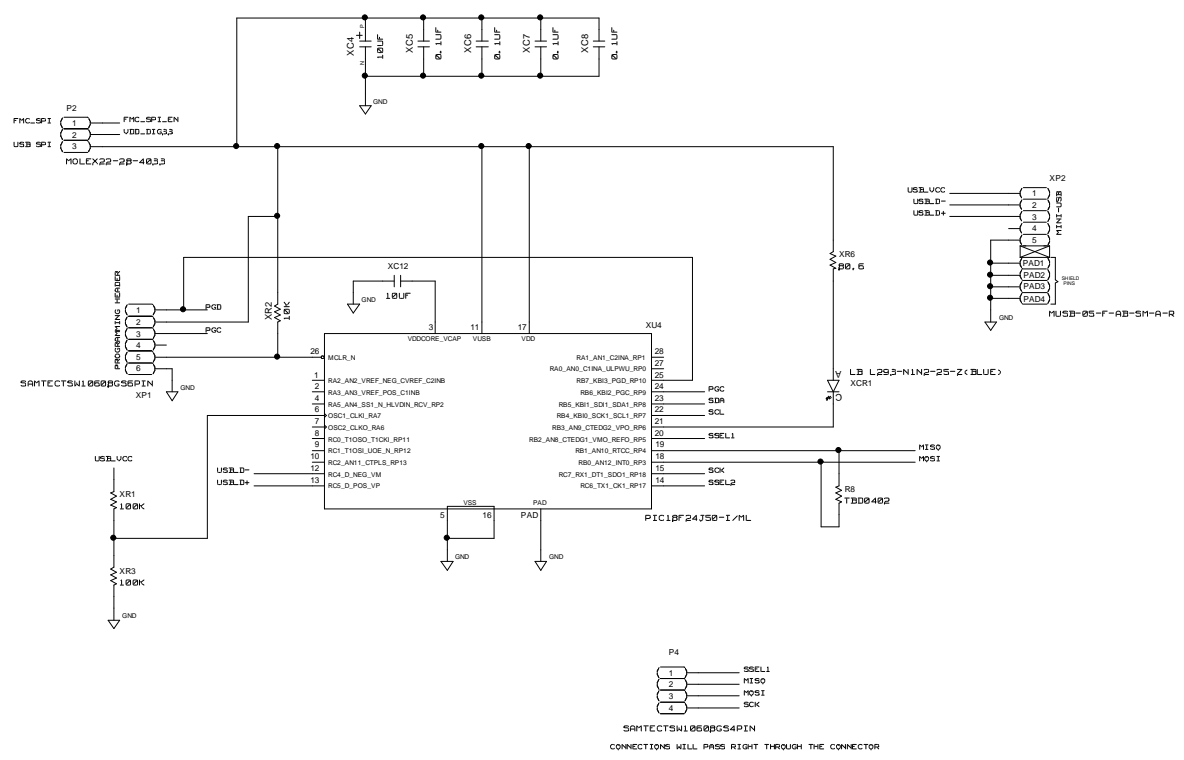
\* ROW CLOSEST TO BOARD EDGE

	<b>SCHEMATIC</b>		
	AD9739A-FHC-EZ EVALUATION BOARD		
	<PRODUCT> <PRODUCT-1>		
	DESIGN VIEW <DESIGN_VIEW>	DRAWING NO. 11011	REV B
PTD ENGINEER <PTD_ENGINEER>	SIZE SCALE D <SCALE>	SHEET 4 OF 6	

8 7 6 5 4 3 2 1



REVISIONS			
REV	DESCRIPTION	DATE	APPROVED



4-WIRE SPI VERSION

	<b>SCHEMATIC</b>		
	AD9739A-FHC-EBZ EVALUATION BOARD		
	<PRODUCT> <PRODUCT-1>		
	DESIGN VIEW <DESIGN_VIEW>	DRAWING NO. 11011	REV B
PTD ENGINEER <PTD_ENGINEER>	SIZE D	SCALE <SCALE>	
		SHEET E OF E	