

REVISIONS			
REV	DESCRIPTION	DATE	APPROVED
A	INITIAL RELEASE	07/12	S.F.

JUMPER TABLE		
JP#	ON	OFF
1		
2		
3		
4		
5		

* SEE ASSEMBLY INSTRUCTIONS

THIS DRAWING IS THE PROPERTY OF ANALOG DEVICES INC. IT IS NOT TO BE REPRODUCED OR COPIED, IN WHOLE OR IN PART, OR USED IN FURNISHING INFORMATION TO OTHERS, OR FOR ANY OTHER PURPOSE DETRIMENTAL TO THE INTERESTS OF ANALOG DEVICES. THE EQUIPMENT SHOWN HEREON MAY BE PROTECTED BY PATENTS OWNED OR CONTROLLED BY ANALOG DEVICES.

RELAY CONTROL CHART

CONTROL	CODE	DEVICE	FUNCTION	CONNECTOR

P.O SPEC.	BK/BD SPEC.	SOCKET OEM	OEM PART#	HANDLER

TEMPLATE ENGINEER -	DATE	SCHEMATIC		ANALOG DEVICES	
HARDWARE SERVICES -		<small><DRAWING_TITLE_HEADER></small> <PRODUCT> <PRODUCT_1> <DRAWING_TITLE1> <DRAWING_TITLE2> <DRAWING_TITLE3> <DRAWING_TITLE4> <DRAWING_TITLE5>			
HARDWARE SYSTEMS -		AD9434-FMC-500EB EVAL BOARD Z			
TEST ENGINEER -					
COMPONENT ENGINEER -					
TEST PROCESS -		MASTER PROJECT TEMPLATE <DRAWING_TITLE6>	TESTER TEMPLATE -	DRAWING NO. 02-a03471	REV. A
HARDWARE RELEASE -		<small>UNLESS OTHERWISE SPECIFIED DIMENSIONS ARE IN INCHES</small> TOLERANCES DECIMALS X.XX +/-0.010 FRACTIONS +-1/32 ANGLES +-2 X.XXX +/-0.005			
DESIGNER -		<small>SIZE</small> D	<small>SCALE</small> <SCALE>	<small>CODE ID NO.</small> -	SHEET 1 OF 7
PTD ENGINEER <PTD_ENGINEER>					
CHECKER -					

D

C

B

A

D

C

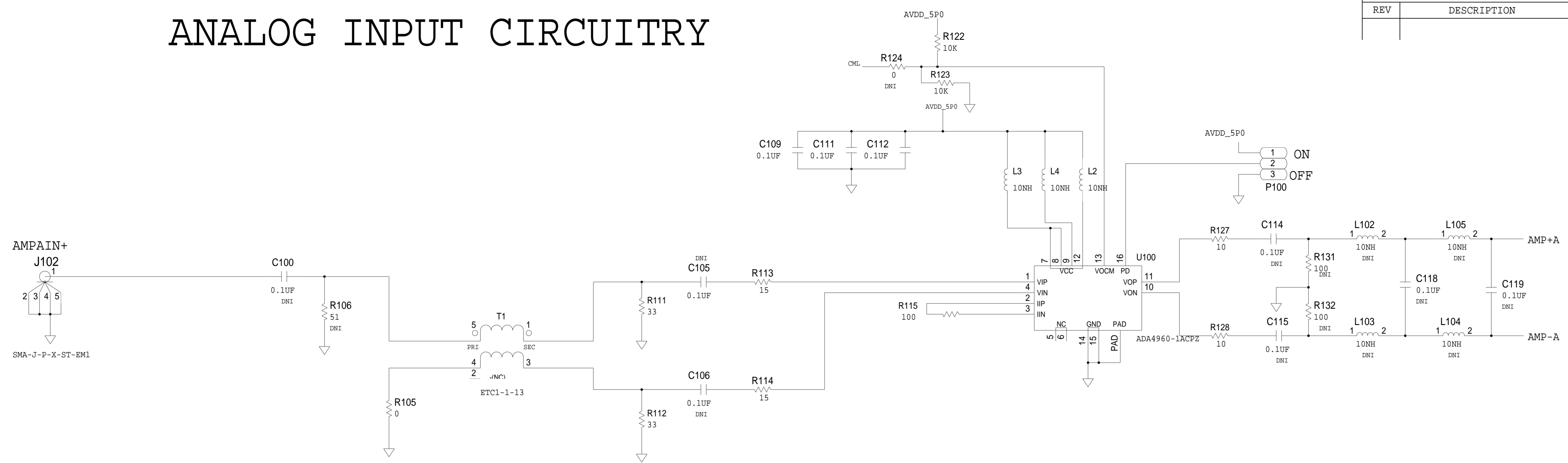
B

A

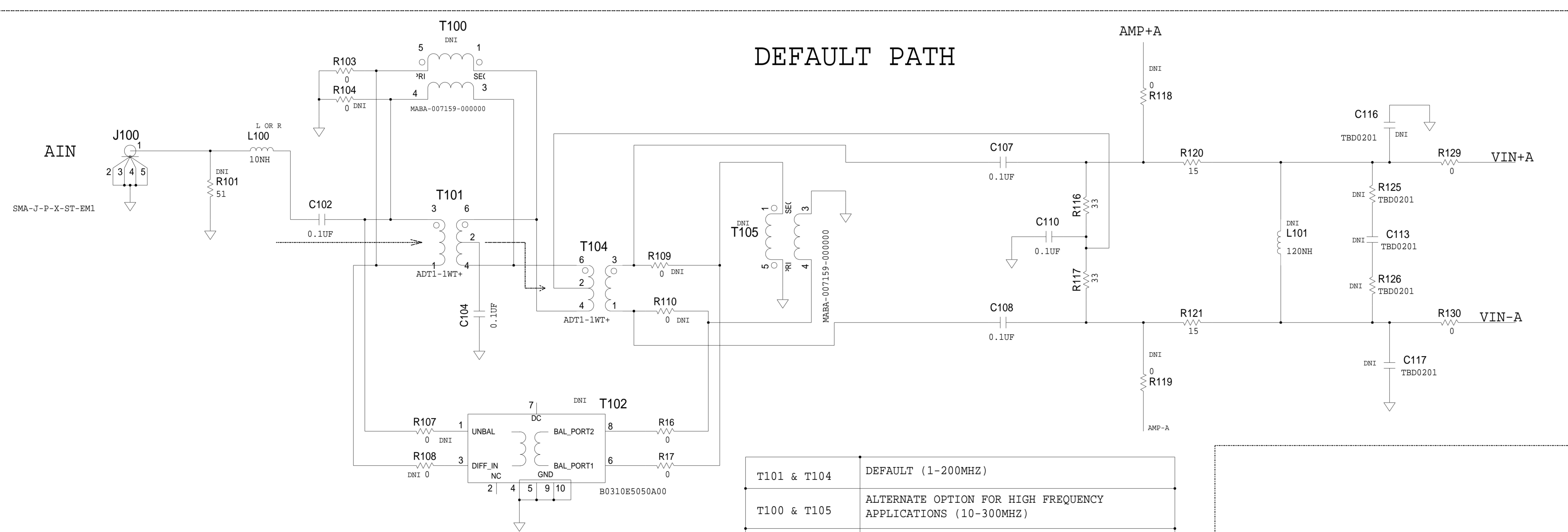


ANALOG INPUT CIRCUITRY

REVISIONS			
REV	DESCRIPTION	DATE	APPROVED



DEFAULT PATH



T101 & T104	DEFAULT (1-200MHZ)
T100 & T105	ALTERNATE OPTION FOR HIGH FREQUENCY APPLICATIONS (10-300MHZ)
T102	ALTERNATE OPTION FOR VERY HIGH FREQUENCY APPLICATIONS (>=100MHZ)

	SCHEMATIC		
	<DRAWING_TITLE_HEADER> <PRODUCT> <PRODUCT_1>		
DESIGN VIEW <DESIGN_VIEW>	DRAWING NO. 02-a03471	REV A	
PTD ENGINEER <PTD_ENGINEER>	SIZE D	SCALE <SCALE>	SHEET 2 OF 7

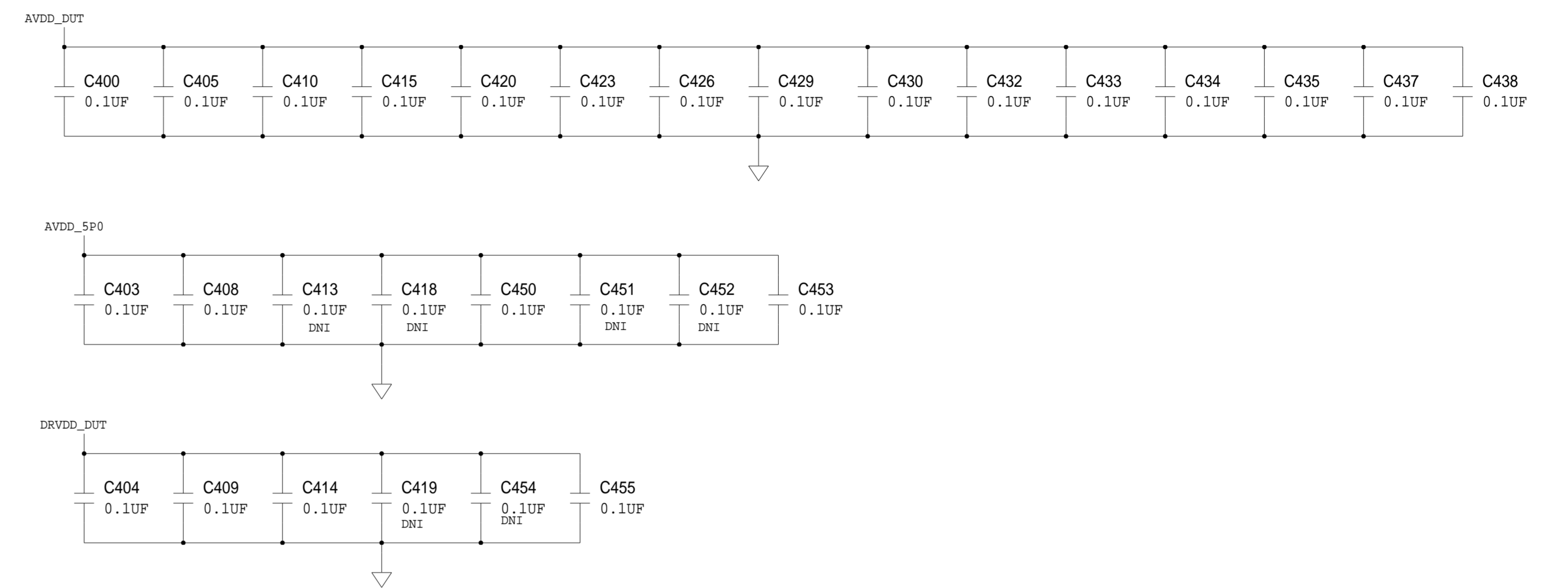
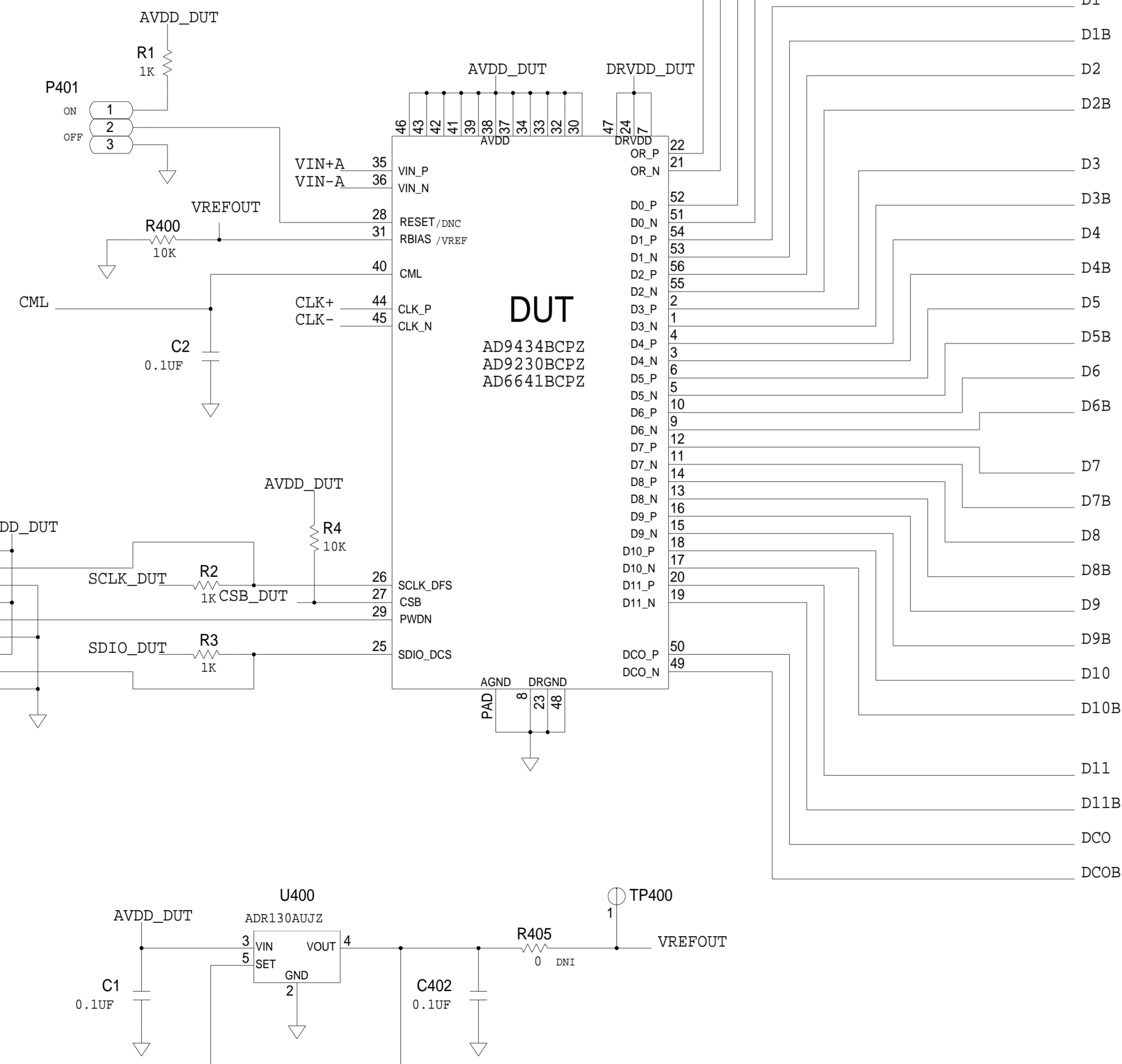
REVISIONS			
REV	DESCRIPTION	DATE	APPROVED

DUT CIRCUITRY

SPI RESET

FUNCTION
HI=ENABLED
LOW=DISABLED

TSW-103-08-G-T



100 DIFF PAIR
+/- 100 MILS

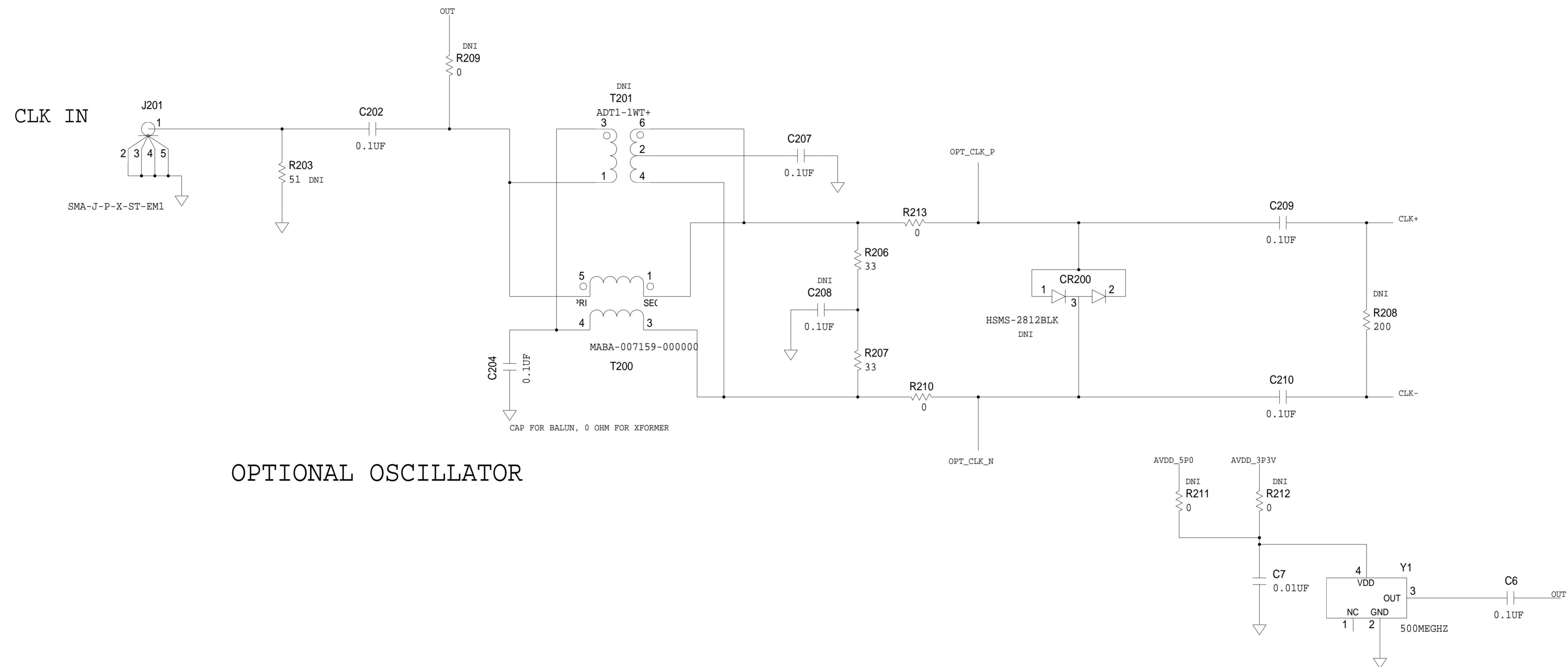
SCHEMATIC			
<DRAWING_TITLE_HEADER>			
<PRODUCT>			
<PRODUCT_1>			
DESIGN VIEW	DRAWING NO.	REV	
<DESIGN_VIEW>	02-a03471	A	
PTD ENGINEER	SIZE	SCALE	SHEET 3 OF 7
<PTD_ENGINEER>	D	<SCALE>	

CLOCK CIRCUITRY

(DEFAULT)

REVISIONS

REV	DESCRIPTION	DATE	APPROVED

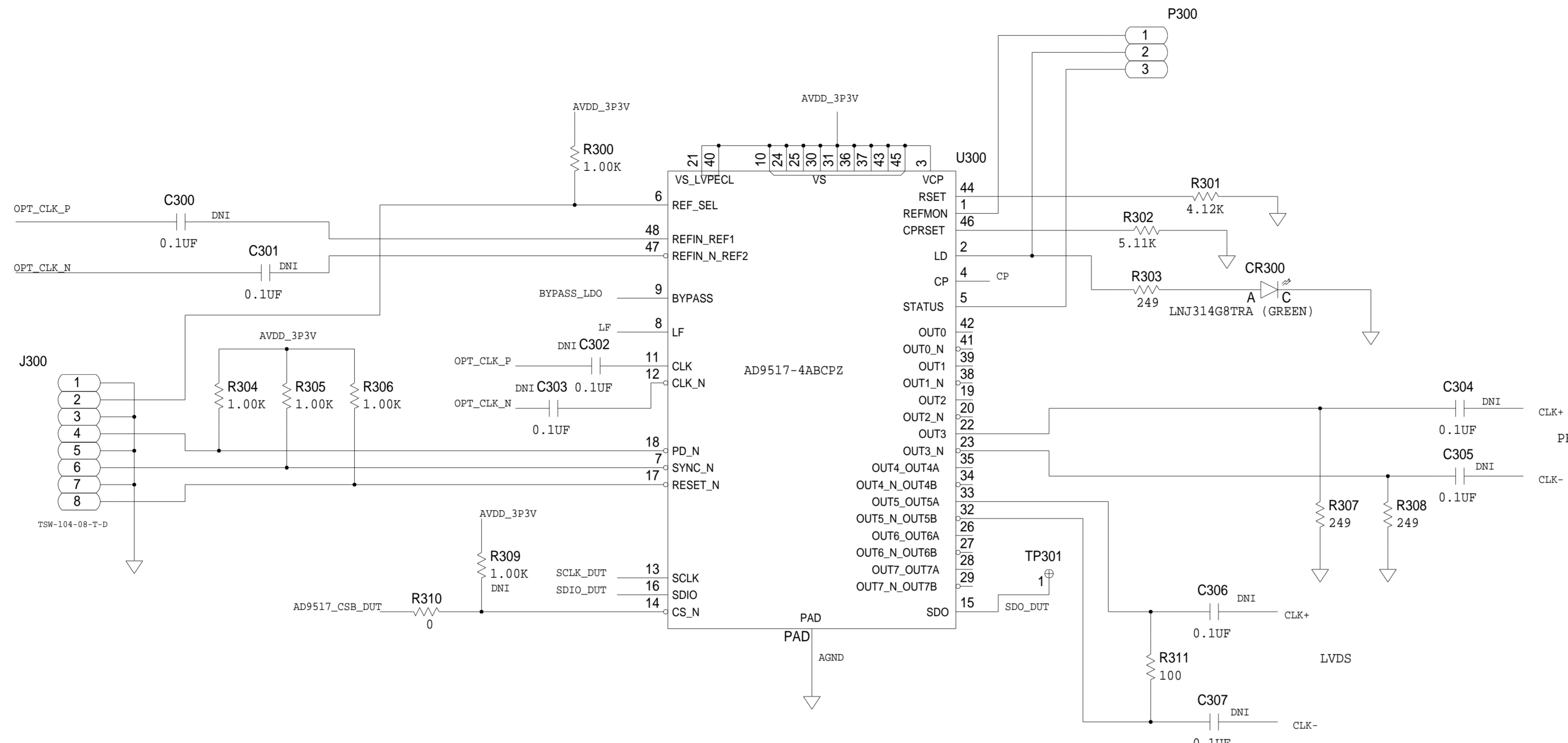


OPTIONAL OSCILLATOR

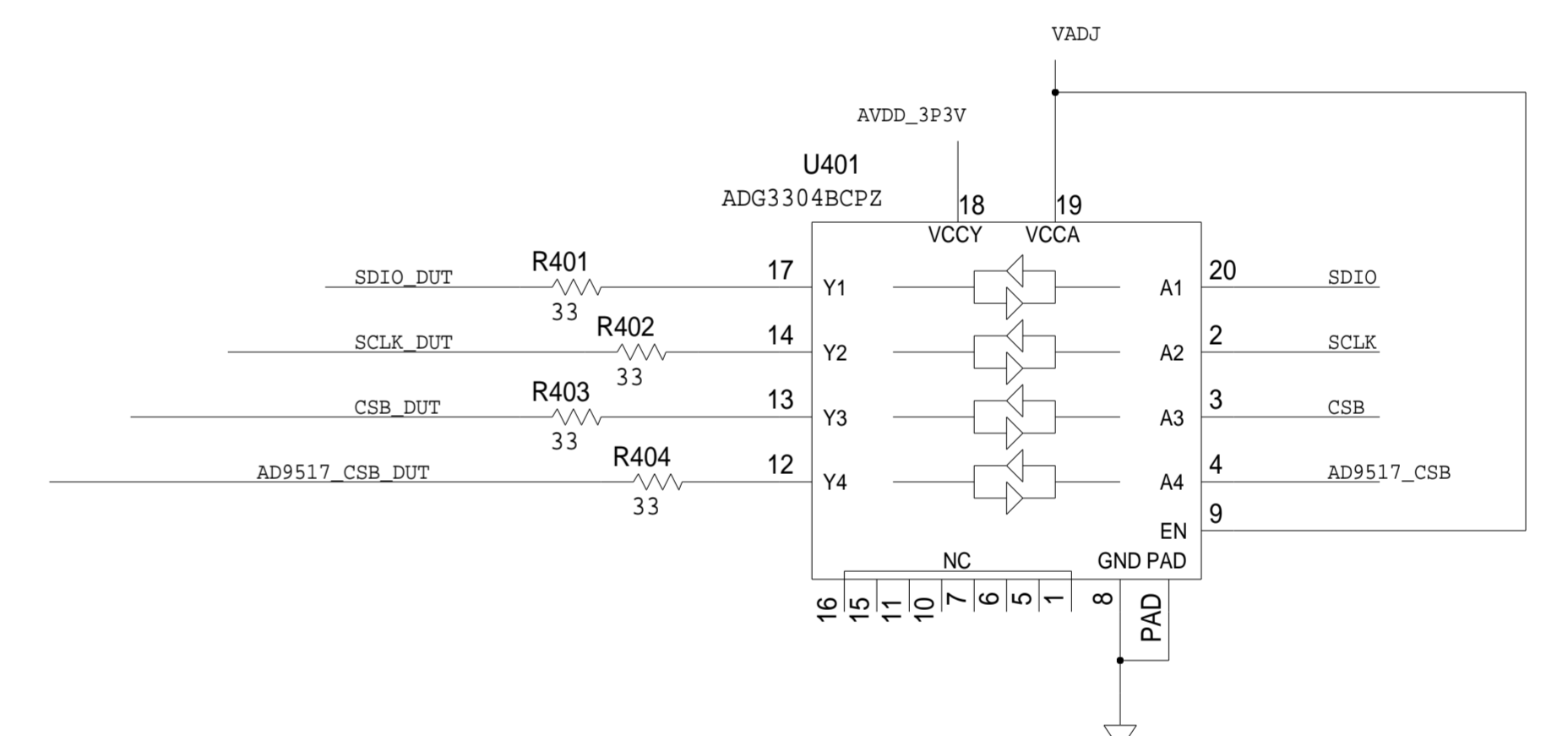
	SCHEMATIC		
	<DRAWING_TITLE_HEADER> <PRODUCT> <PRODUCT_1>		
DESIGN VIEW <DESIGN_VIEW>	DRAWING NO. 02-a03471	REV A	
PTD ENGINEER <PTD_ENGINEER>	SIZE D	SCALE <SCALE>	SHEET 4 OF 7

REVISIONS			
REV	DESCRIPTION	DATE	APPROVED

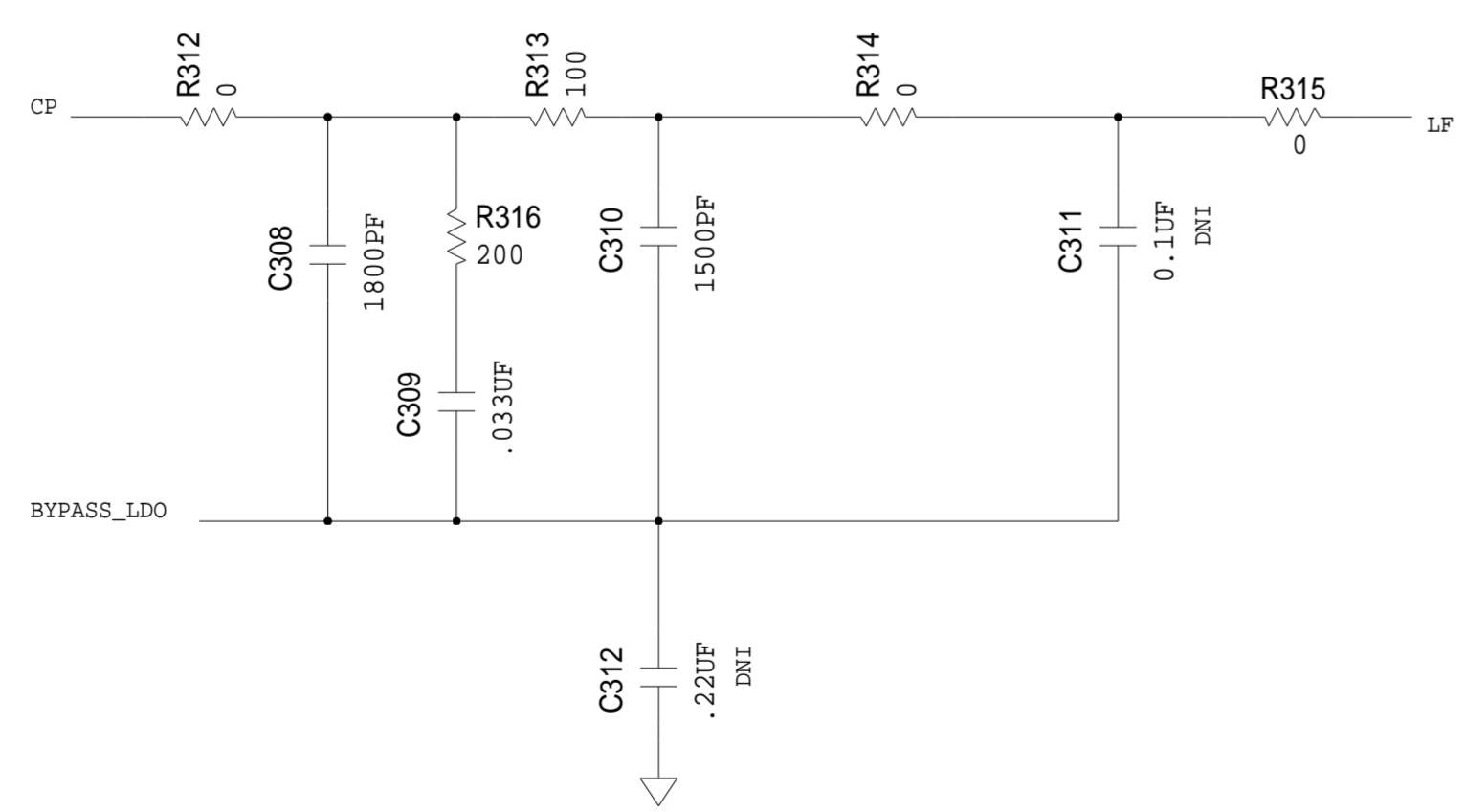
OPTIONAL CLOCK PATH CIRCUIT



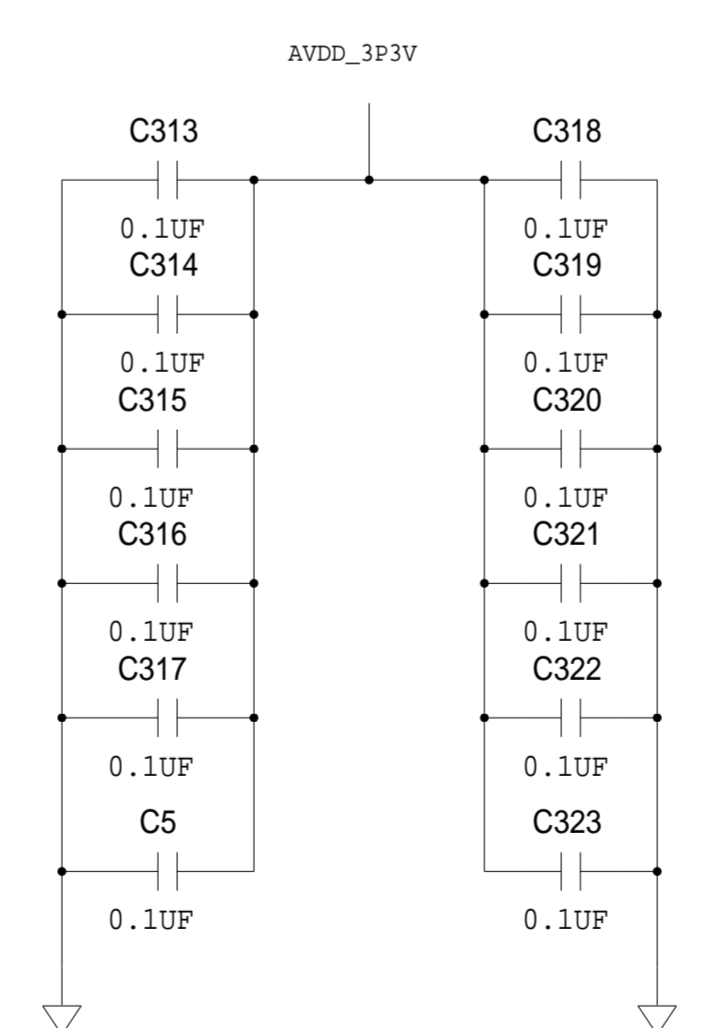
SPI CIRCUITRY



CHARGE PUMP FILTER

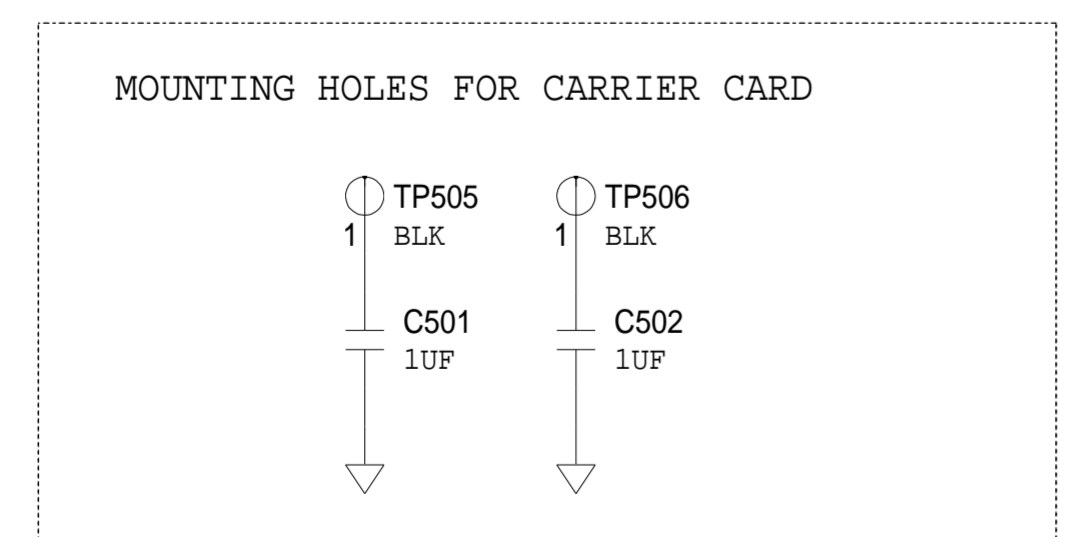
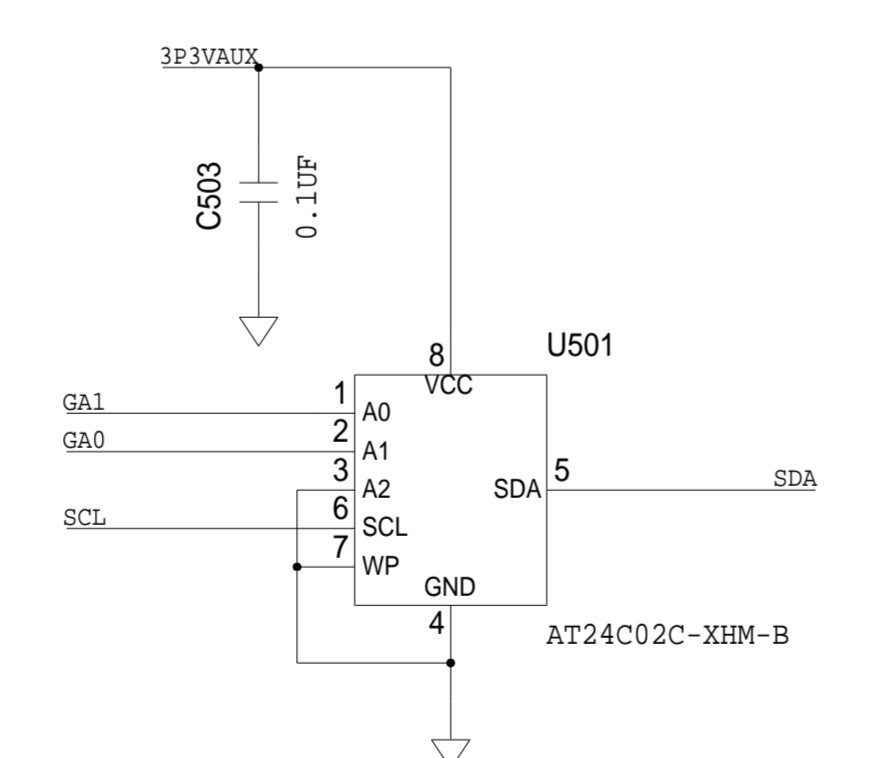
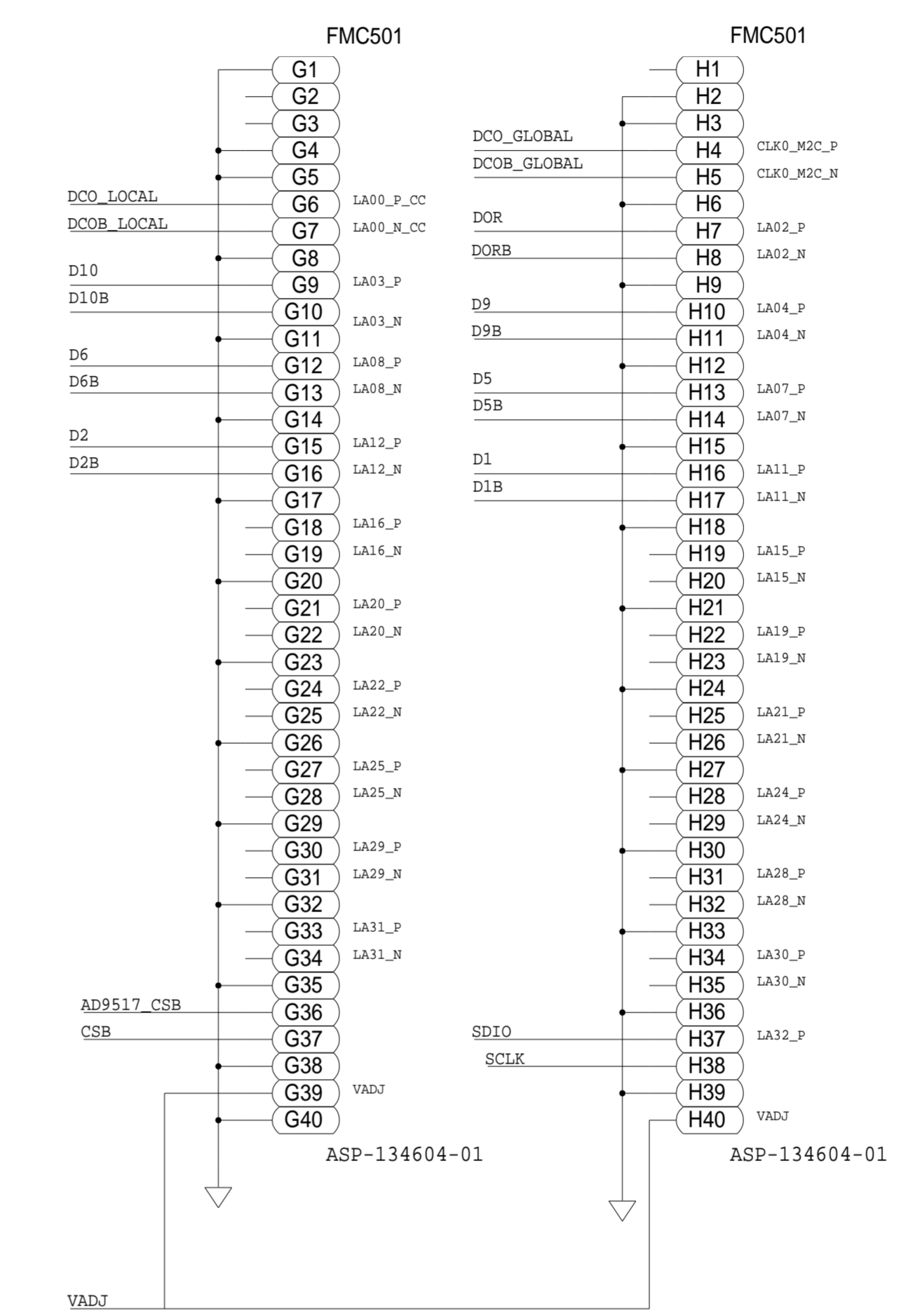
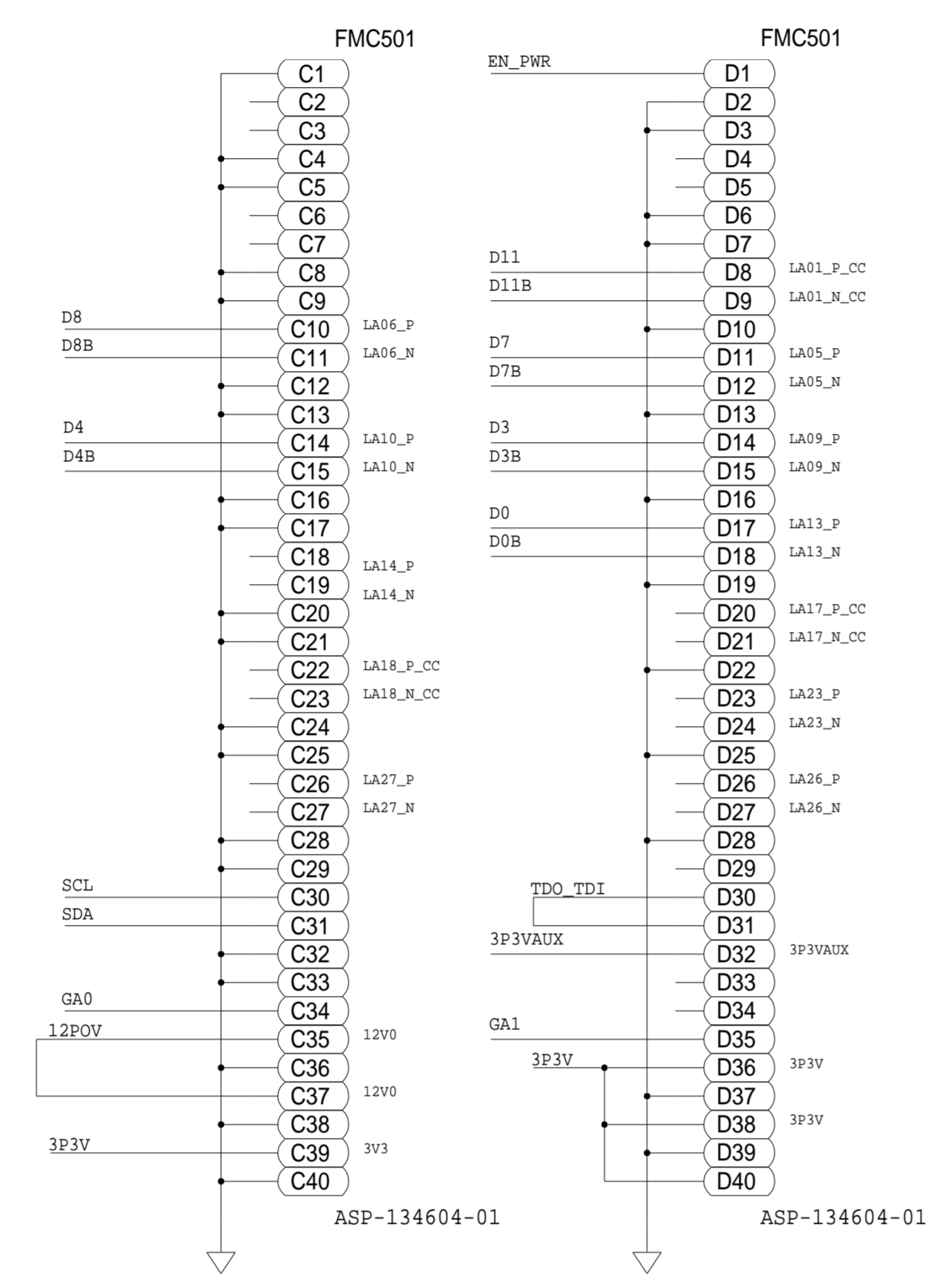
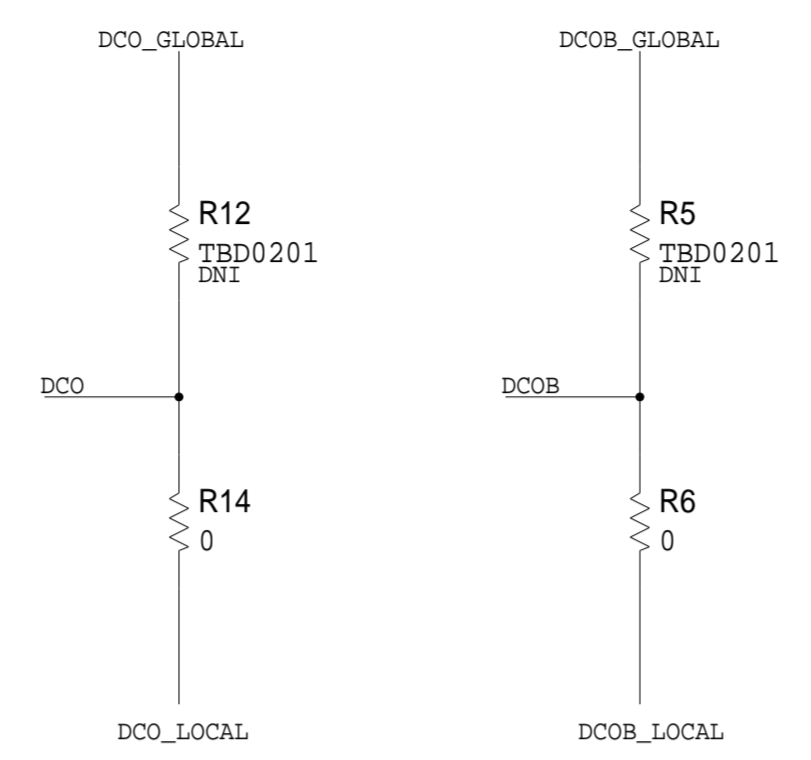


DECOUPLING



	SCHEMATIC		
	<DRAWING_TITLE_HEADER>		
	<PRODUCT>		
	<PRODUCT_1>		
DESIGN VIEW	DRAWING NO.	REV	
<DESIGN_VIEW>	02-a03471	A	
PTD ENGINEER	SIZE	SCALE	SHEET 5 OF 7
<PTD_ENGINEER>	D	<SCALE>	

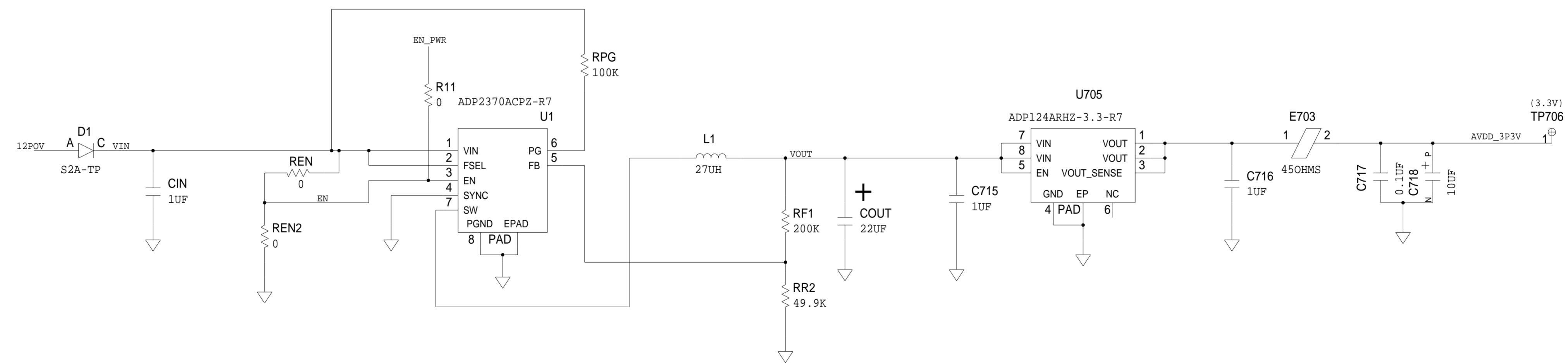
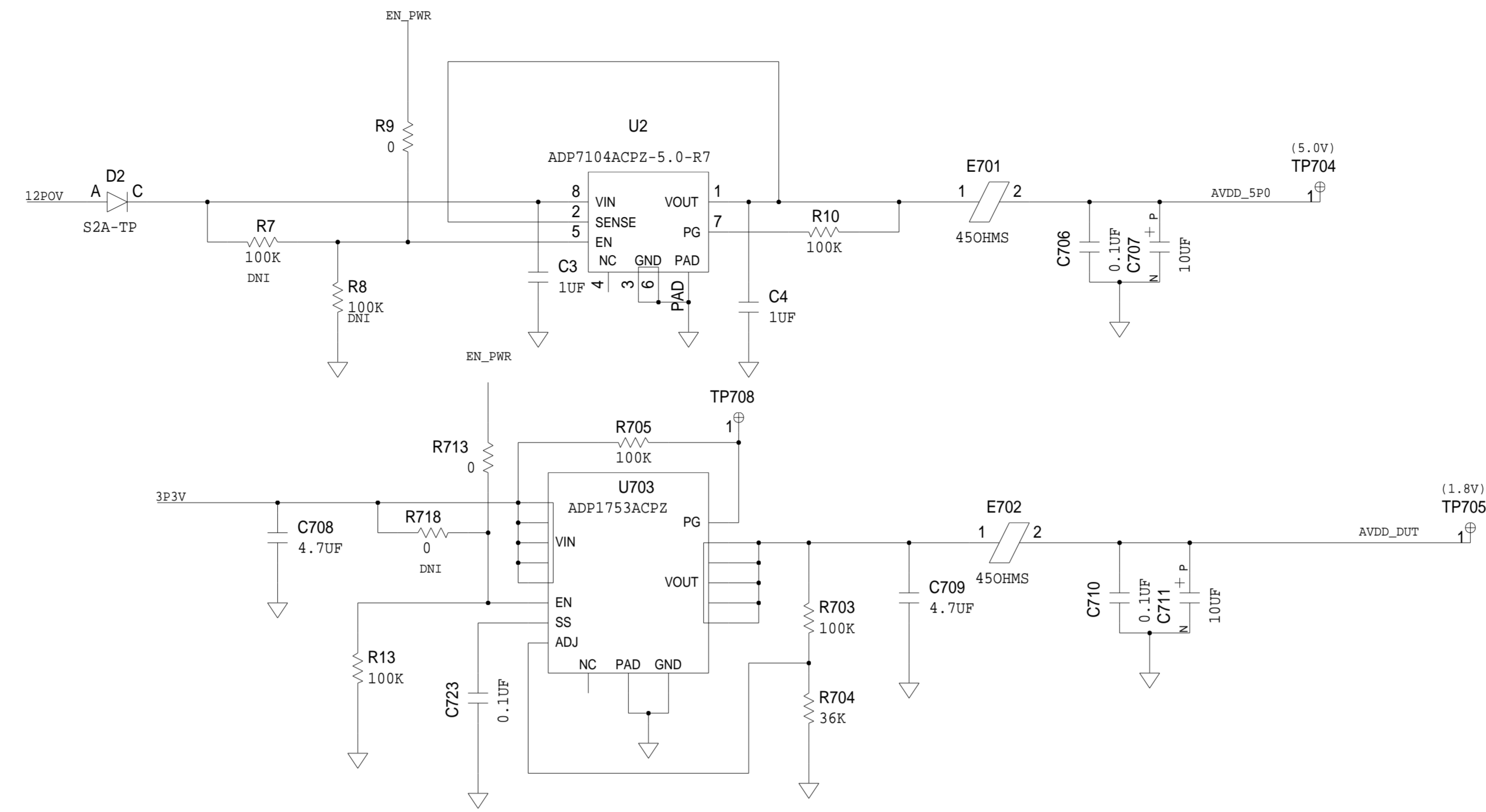
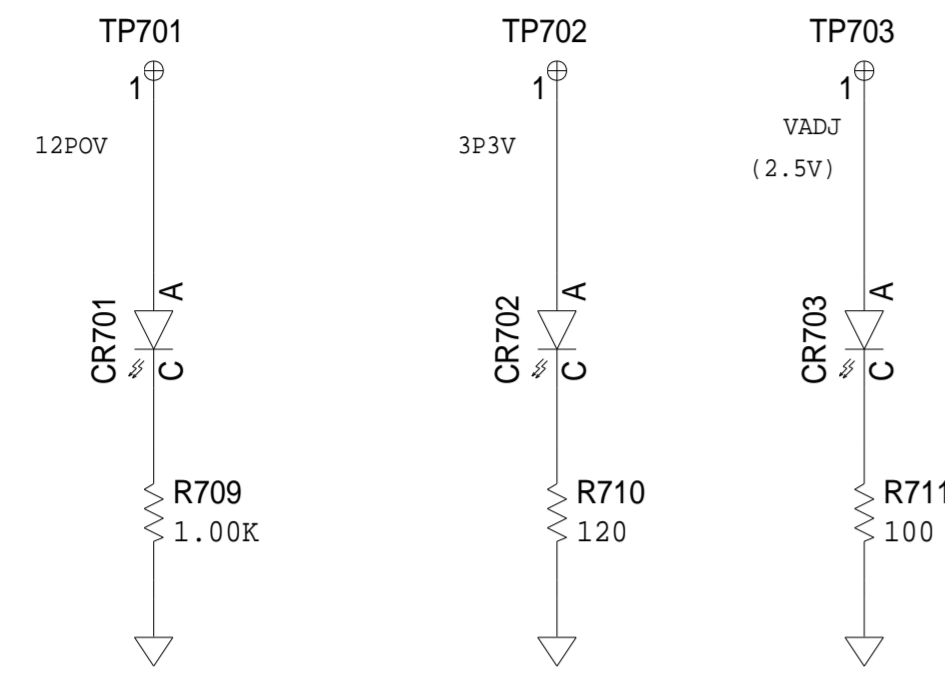
REVISIONS			
REV	DESCRIPTION	DATE	APPROVED



	SCHEMATIC		
	<DRAWING_TITLE_HEADER>		
	<PRODUCT>		
	<PRODUCT_1>		
DESIGN VIEW <DESIGN_VIEW>	DRAWING NO. 02-a03471	REV A	
PTD ENGINEER <PTD_ENGINEER>	SIZE D	SCALE <SCALE>	SHEET 6 OF 7

REVISIONS			
REV	DESCRIPTION	DATE	APPROVED

POWER SUPPLY CIRCUITRY



	SCHEMATIC		
	<DRAWING_TITLE_HEADER>		
	<PRODUCT>		
	<PRODUCT_1>		
DESIGN VIEW	DRAWING NO.	REV	
<DESIGN_VIEW>	02-a03471	A	
PTD ENGINEER	SIZE	SCALE	SHEET 7 OF 7
<PTD_ENGINEER>	D	<SCALE>	