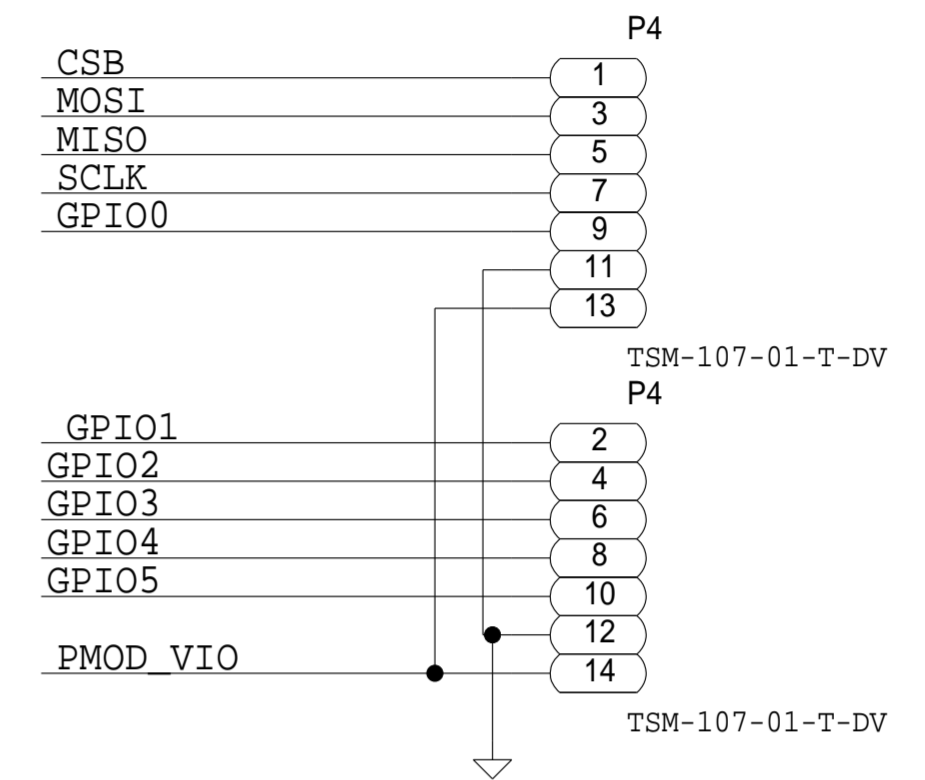




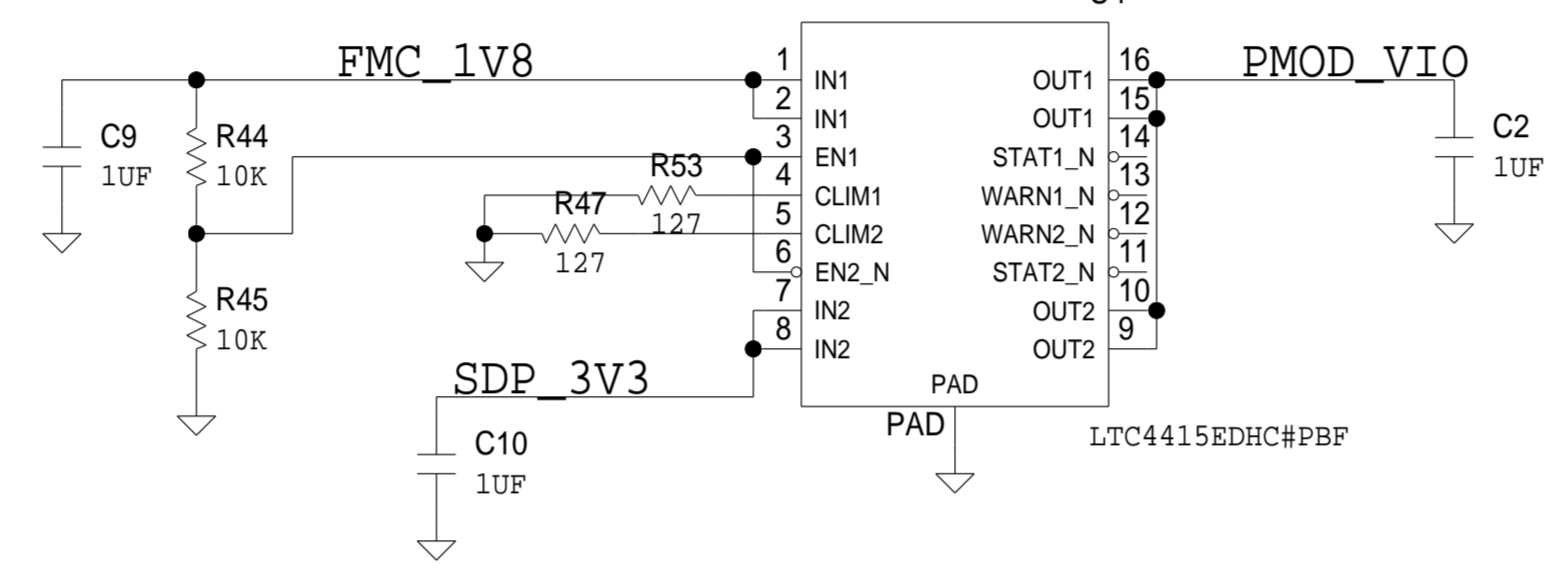
REVISIONS			
REV	DESCRIPTION	DATE	APPROVED

FMC VIO IS 1.8V, SDP VIO IS 3.3V

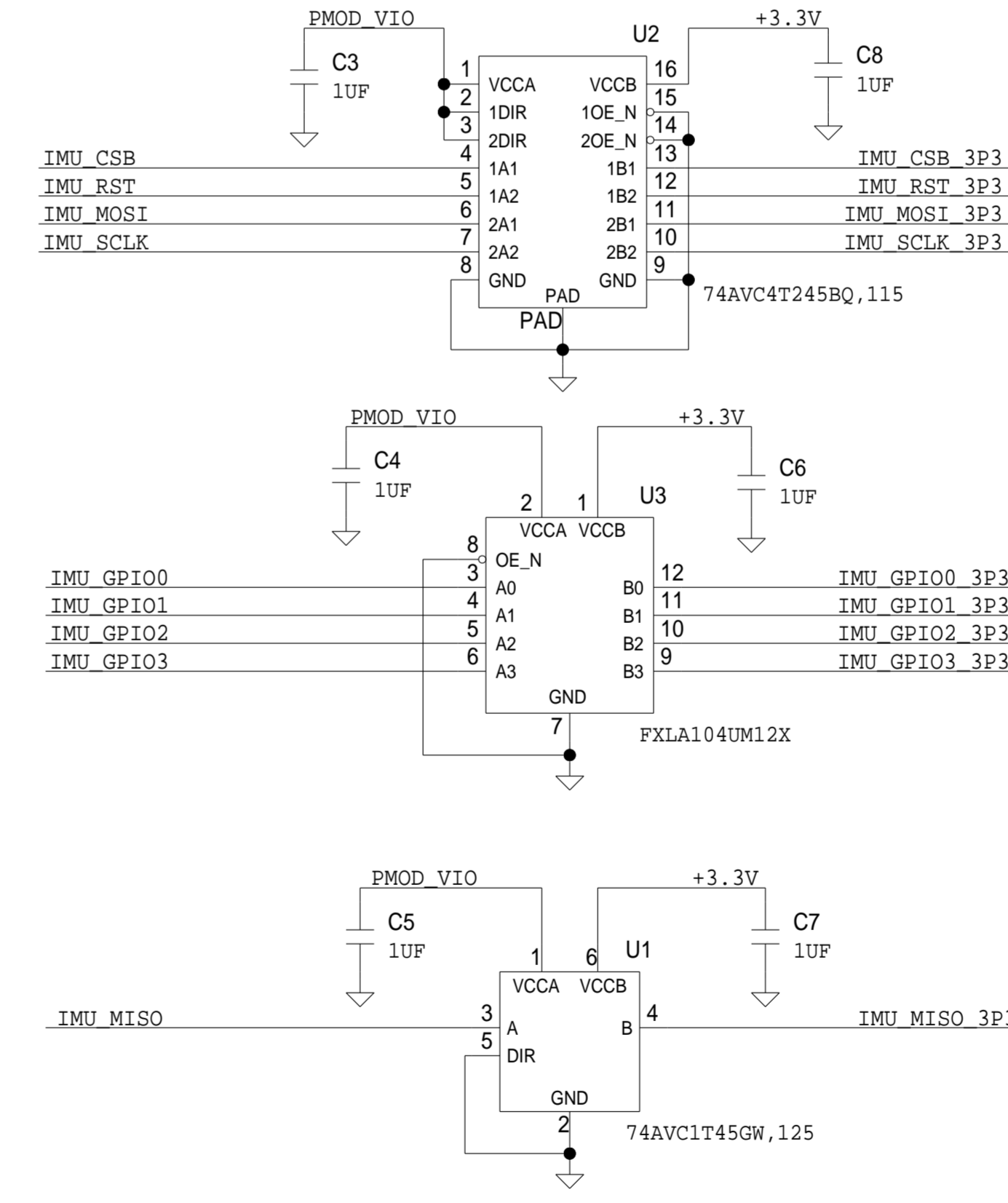
### XUD1A PMOD



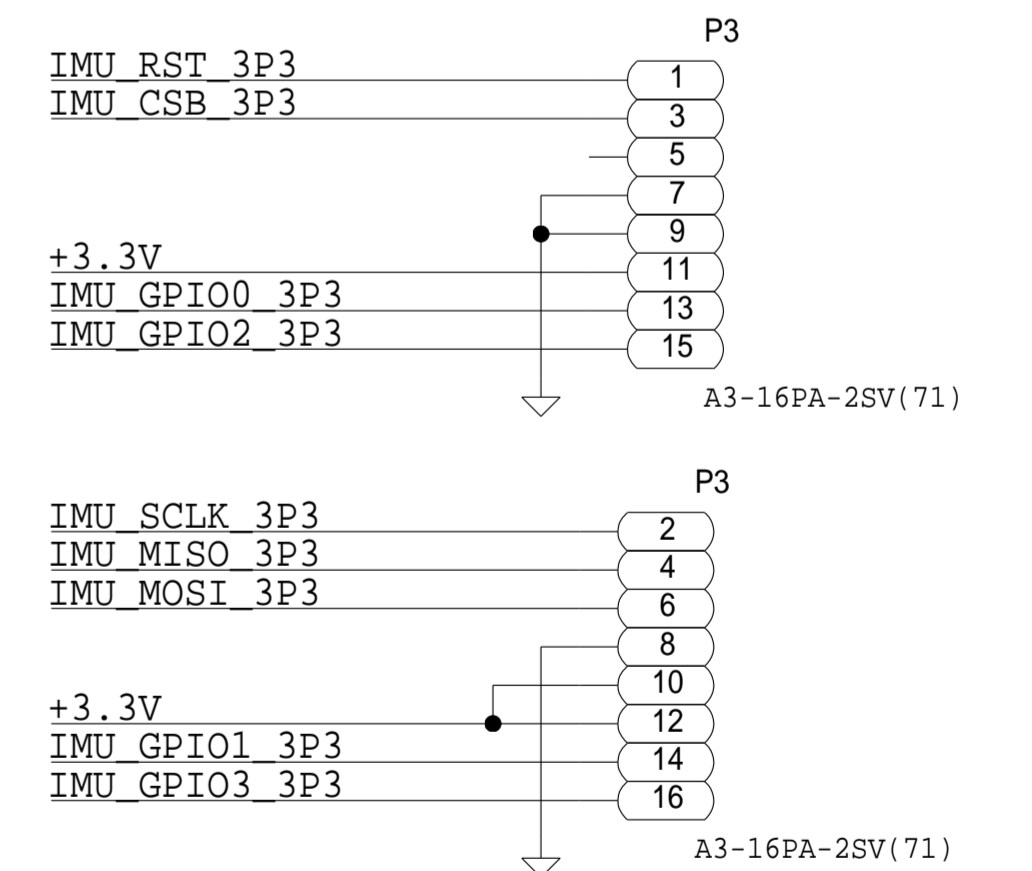
### PMOD VIO



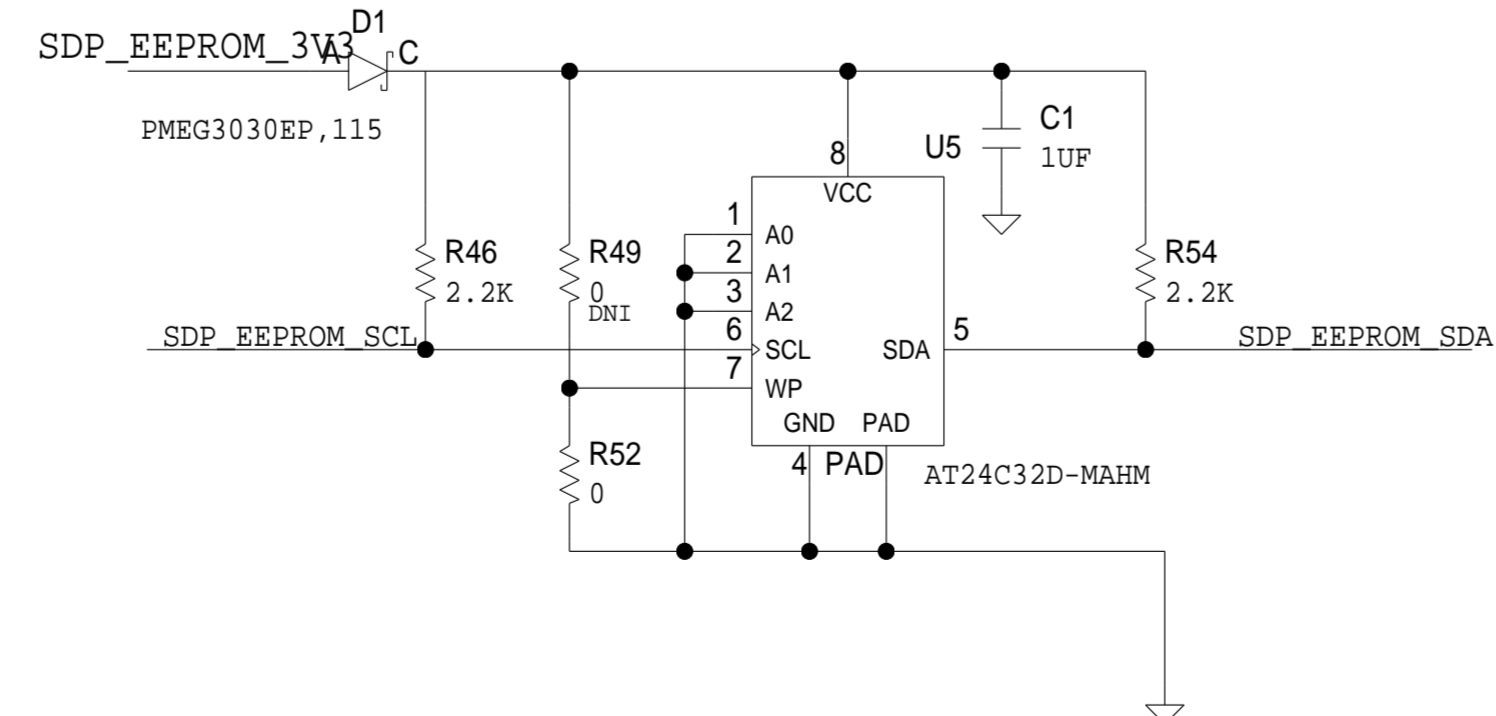
### IMU LVL XTALS



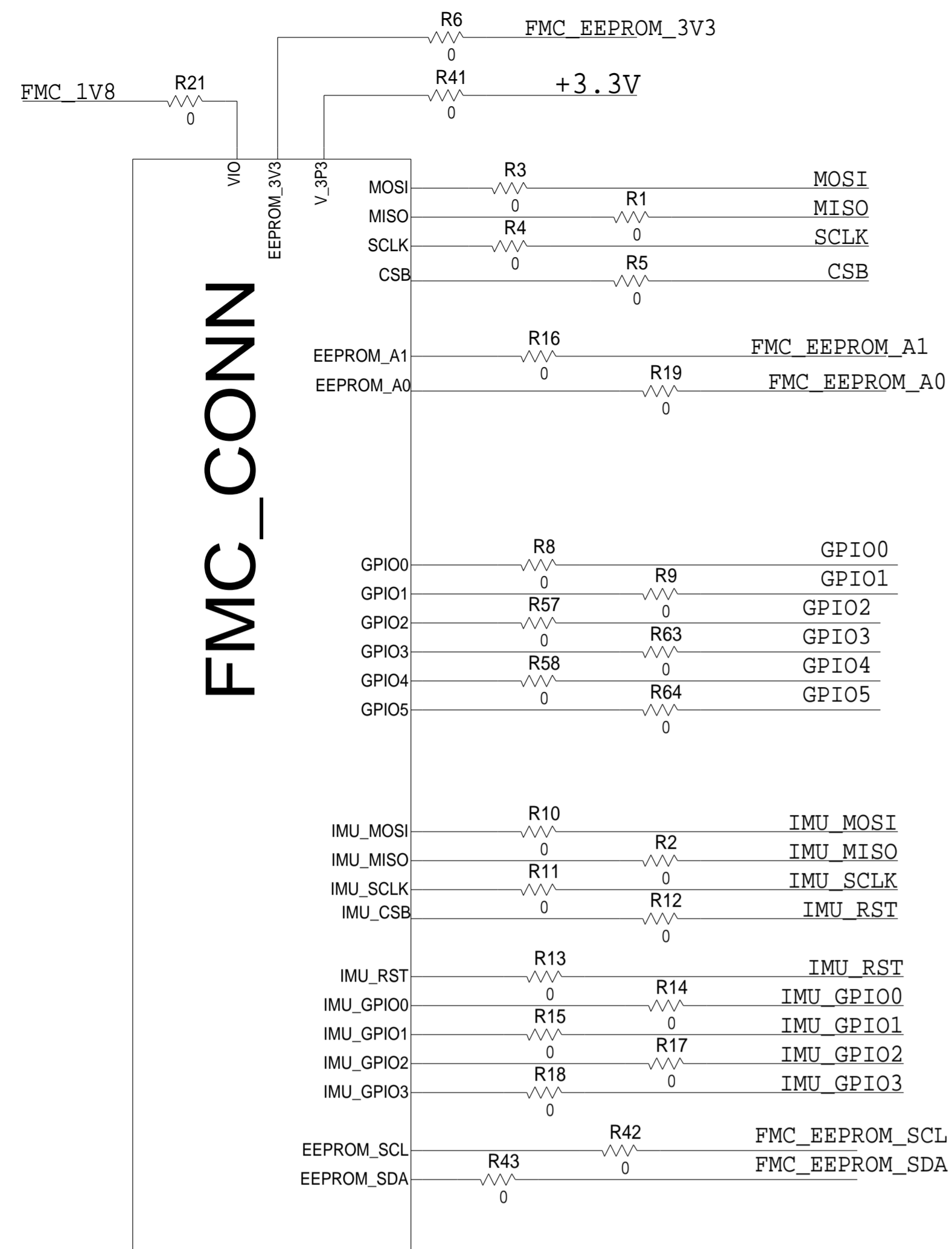
### IMU HEADER



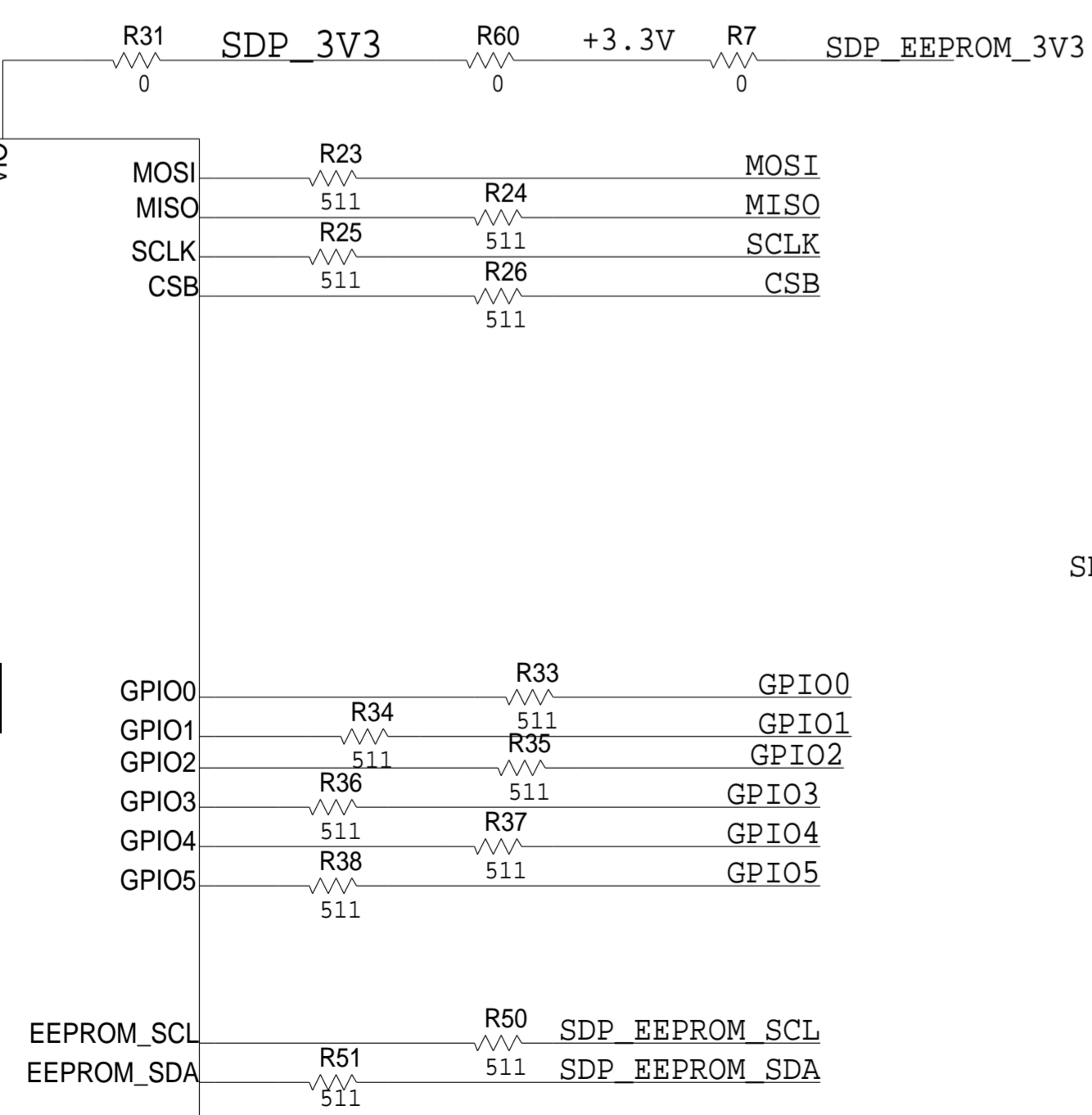
### EEPROM



## FMC\_CONN



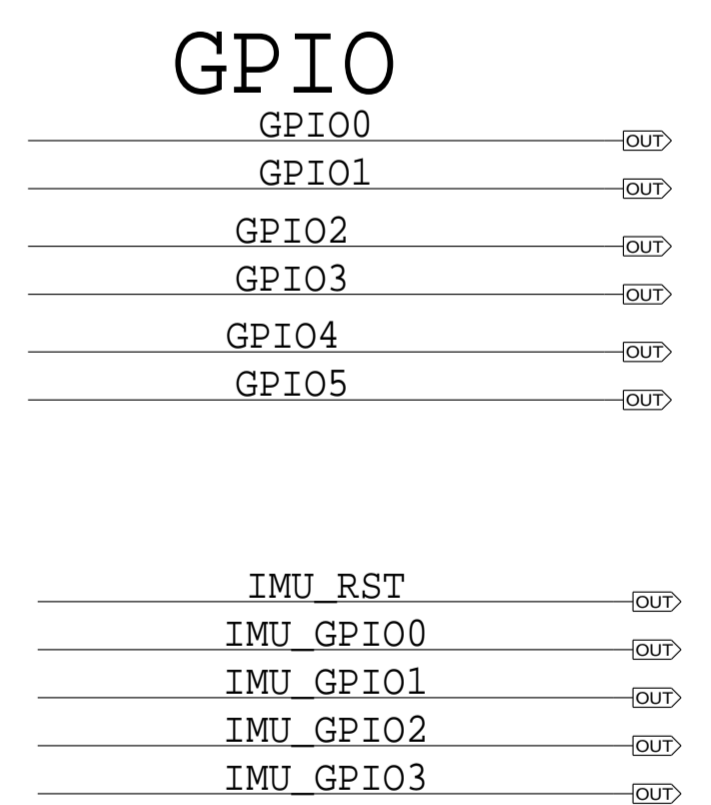
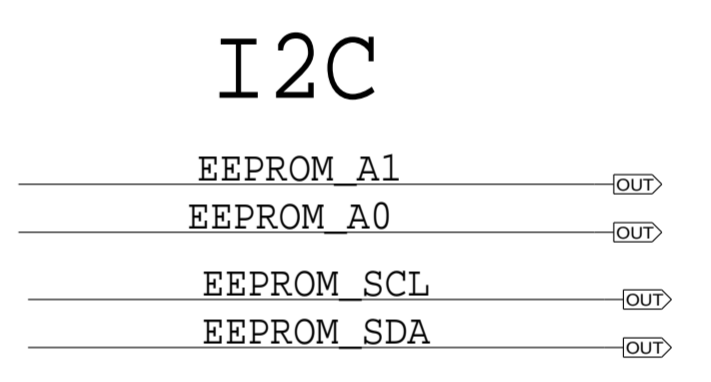
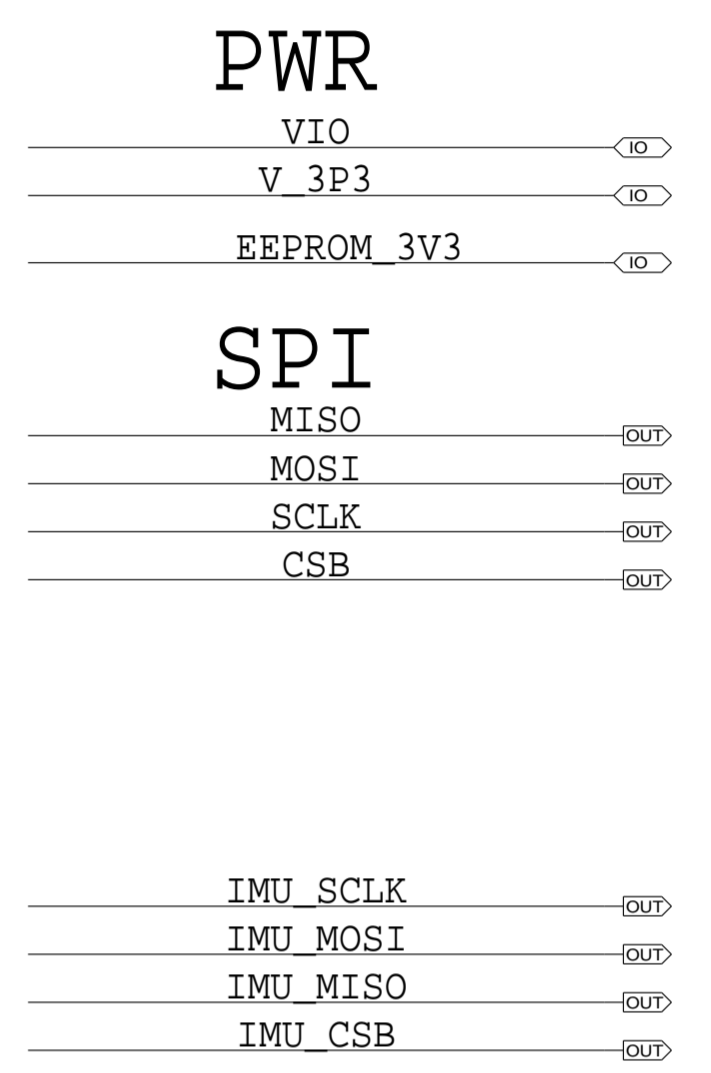
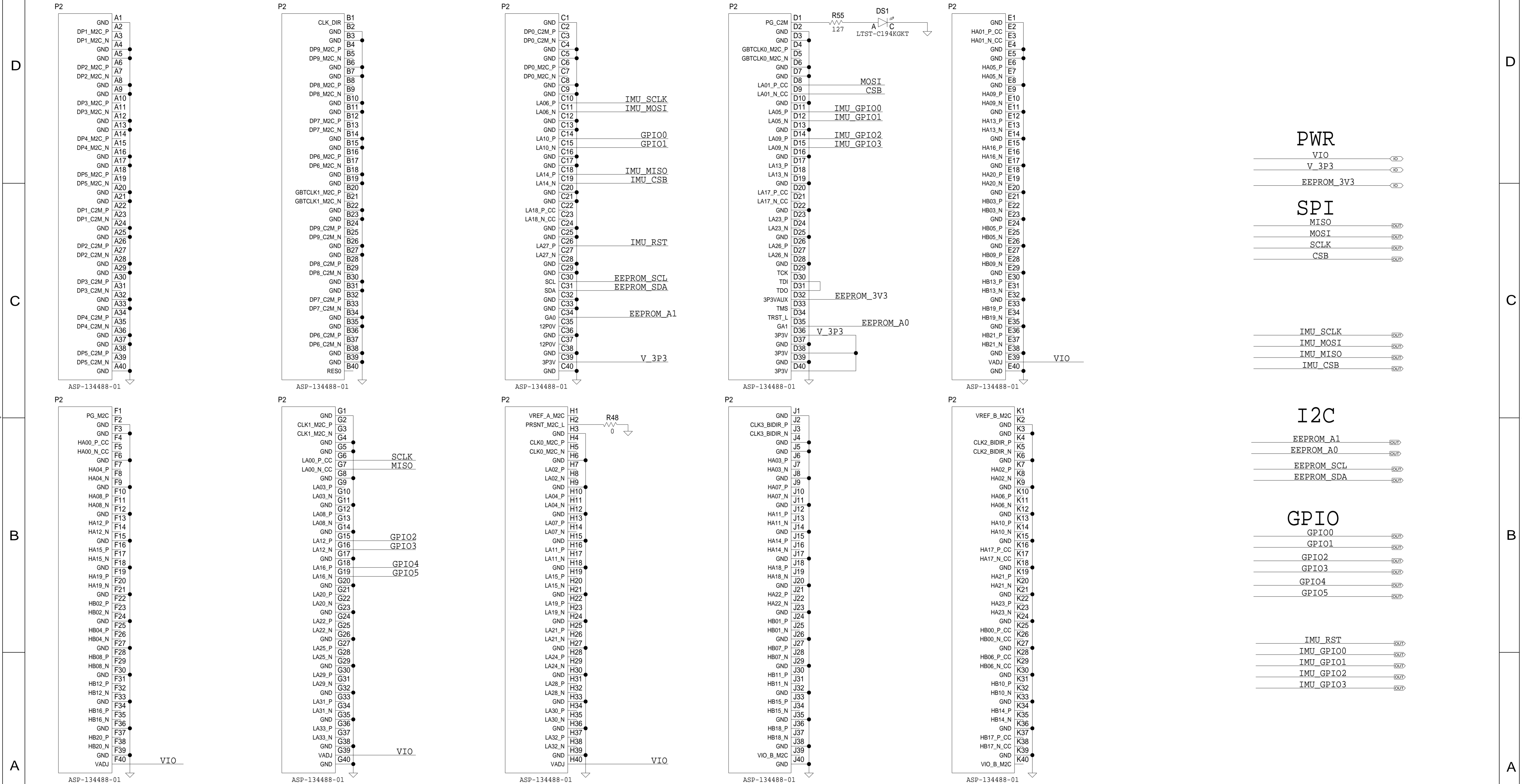
## SDP\_CONN



SCHEMATIC			
HW TYPE : Customer Evaluation Interposer Board		Product(s) : ADXUD1AEBZ	
DESIGN VIEW : <DESIGN_VIEW>		DRAWING NO. : 02_067148	REV : B
PTD ENGINEER : M. STETZLER	SIZE : D	SCALE : 1:1	SHEET 2 OF 4

THIS DRAWING IS THE PROPERTY OF ANALOG DEVICES INC. IT IS NOT TO BE REPRODUCED OR COPIED, IN WHOLE OR IN PART, OR USED IN ANY MANNER FOR THE PROMOTION OF ANY OTHER PRODUCT OR SERVICE, WITHOUT THE WRITTEN PERMISSION OF ANALOG DEVICES. THE EQUIPMENT SHOWN HEREIN MAY BE PROTECTED BY PATENTS OWNED OR CONTROLLED BY ANALOG DEVICES.

REVISIONS			
REV	DESCRIPTION	DATE	APPROVED

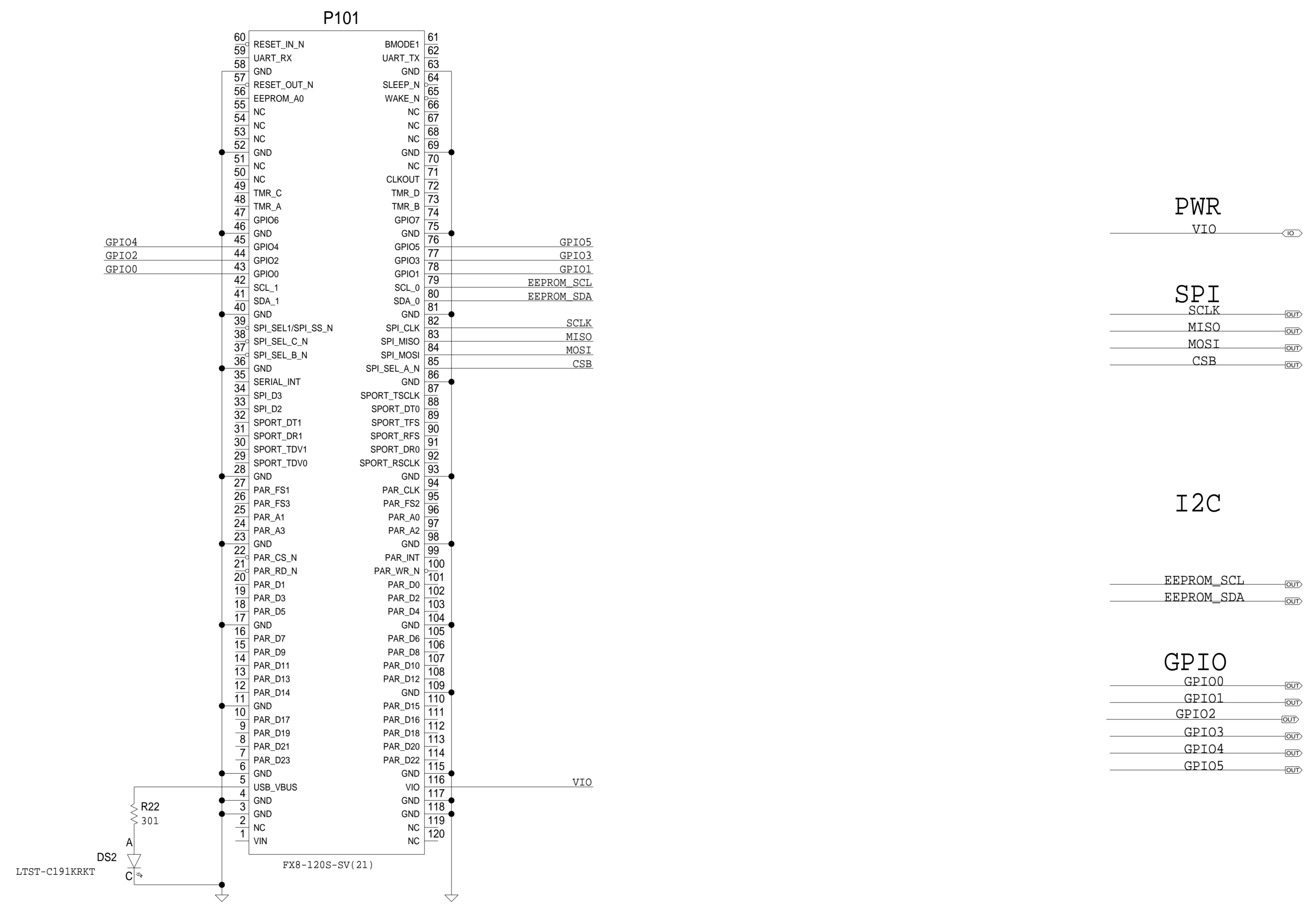


SCHEMATIC			
HW TYPE : Customer Evaluation Interposer Board			
Product(s) : ADXUD1AEBZ			
: N/A			
DESIGN VIEW	DRAWING NO.		REV
<DESIGN_VIEW>	02_067148		B
PTD ENGINEER	SIZE	SCALE	SHEET 3 OF 4
M. STETZLER	D	1:1	



THIS DRAWING IS THE PROPERTY OF ANALOG DEVICES INC. IT IS NOT TO BE REPRODUCED OR COPIED, IN WHOLE OR IN PART, OR USED IN FURNISHING INFORMATION TO OTHERS, OR FOR ANY OTHER PURPOSE DETRIMENTAL TO THE INTERESTS OF ANALOG DEVICES. THE EQUIPMENT SHOWN HEREIN MAY BE PROTECTED BY PATENTS OWNED OR CONTROLLED BY ANALOG DEVICES.

REVISIONS			
REV	DESCRIPTION	DATE	APPROVED



	<b>SCHEMATIC</b>		
	HW TYPE : Customer Evaluation Interposer Board Product(s): ADXUD1AEBZ : N/A		
	DESIGN VIEW <DESIGN_VIEW>	DRAWING NO. 02_067148	REV B
	PTD ENGINEER M. STETZLER	SIZE D	SCALE 1:1

THIS DRAWING IS THE PROPERTY OF ANALOG DEVICES INC. IT IS NOT TO BE REPRODUCED OR COPIED, IN WHOLE OR IN PART, OR USED IN FURNISHING INFORMATION TO OTHERS, OR FOR ANY OTHER PURPOSE DETRIMENTAL TO THE INTERESTS OF ANALOG DEVICES. THE EQUIPMENT SHOWN HEREON MAY BE PROTECTED BY PATENTS OWNED OR CONTROLLED BY ANALOG DEVICES.

8 7 6 5 4 3 2 1

D  
C  
B  
A

8 7 6 5 4 3 2 1