

THIS DRAWING IS THE PROPERTY OF ANALOG DEVICES INC. IT IS NOT TO BE REPRODUCED OR COPIED, IN WHOLE OR IN PART, OR USED IN FURNISHING INFORMATION TO OTHERS, OR FOR ANY OTHER PURPOSE DETRIMENTAL TO THE INTERESTS OF ANALOG DEVICES. THE EQUIPMENT SHOWN HEREON MAY BE PROTECTED BY PATENTS OWNED OR CONTROLLED BY ANALOG DEVICES.				
RELAY CONTROL CHART				
CONTROL	CODE	DEVICE	FUNCTION	CONNECTOR

JUMPER TABLE		
JP#	ON	OFF
1		
2		
3		
4		
5		

* SEE ASSEMBLY INSTRUCTIONS

REVISIONS			
REV	DESCRIPTION	DATE	APPROVED
A	INITIAL RELEASE	30MAR21	M. STETZLER

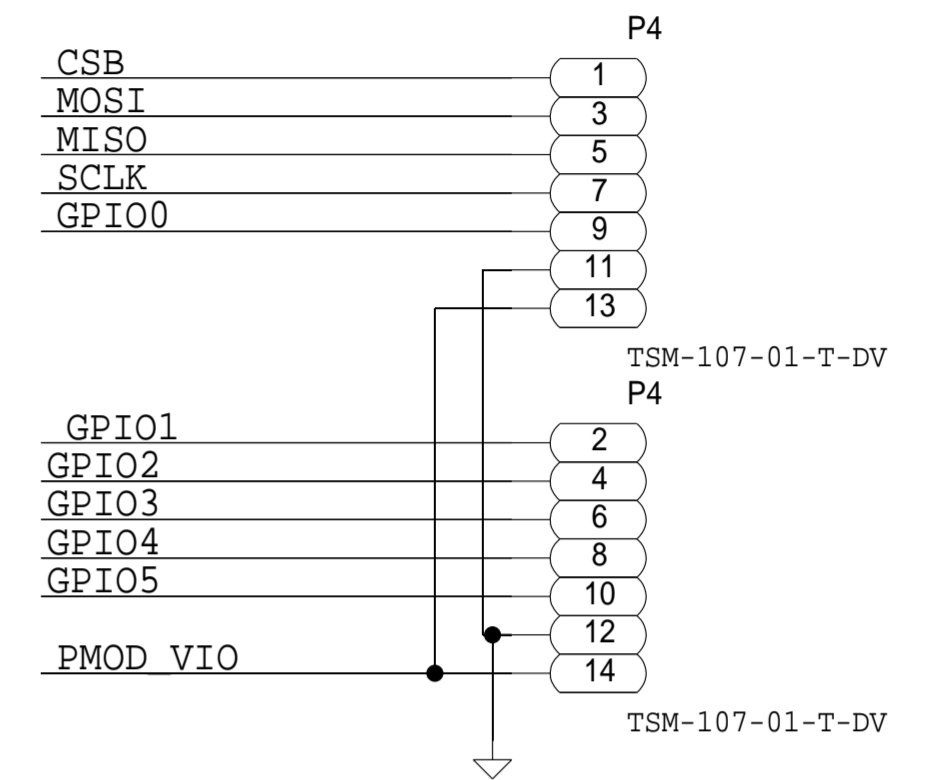
P.O SPEC.	BK/BD SPEC.	SOCKET OEM	OEM PART#	HANDLER

TEMPLATE ENGINEER -	DATE 30MAR21	SCHEMATIC	
HARDWARE SERVICES M. VALE	30MAR21		
HARDWARE SYSTEMS -		HW TYPE : Customer Evaluation Z Product(s): N/A : N/A	
TEST ENGINEER -		PACKAGE : LeadCount-lead BodySize PackageType-family : Pitch-pitch StyleVendor Style	
COMPONENT ENGINEER M. YAN	30MAR21	<User Define> <User Define> <User Define>	
TEST PROCESS -			
HARDWARE RELEASE K. JABATAN	30MAR21		
DESIGNER M. VALE	30MAR21	MASTER PROJECT TEMPLATE TBD	TESTER TEMPLATE no_template
PTD ENGINEER M. STETZLER	30MAR21	DRAWING NO. 02_067148	
CHECKER -		REV. A	
UNLESS OTHERWISE SPECIFIED DIMENSIONS ARE IN INCHES			
TOLERANCES			
DECIMALS X.XX +0.010 X.XXX +0.005	FRACTIONS +1/32	ANGLES +2	SIZE D SCALE 1:1 CODE ID NO. CodeID
		SHEET 1 OF 4	

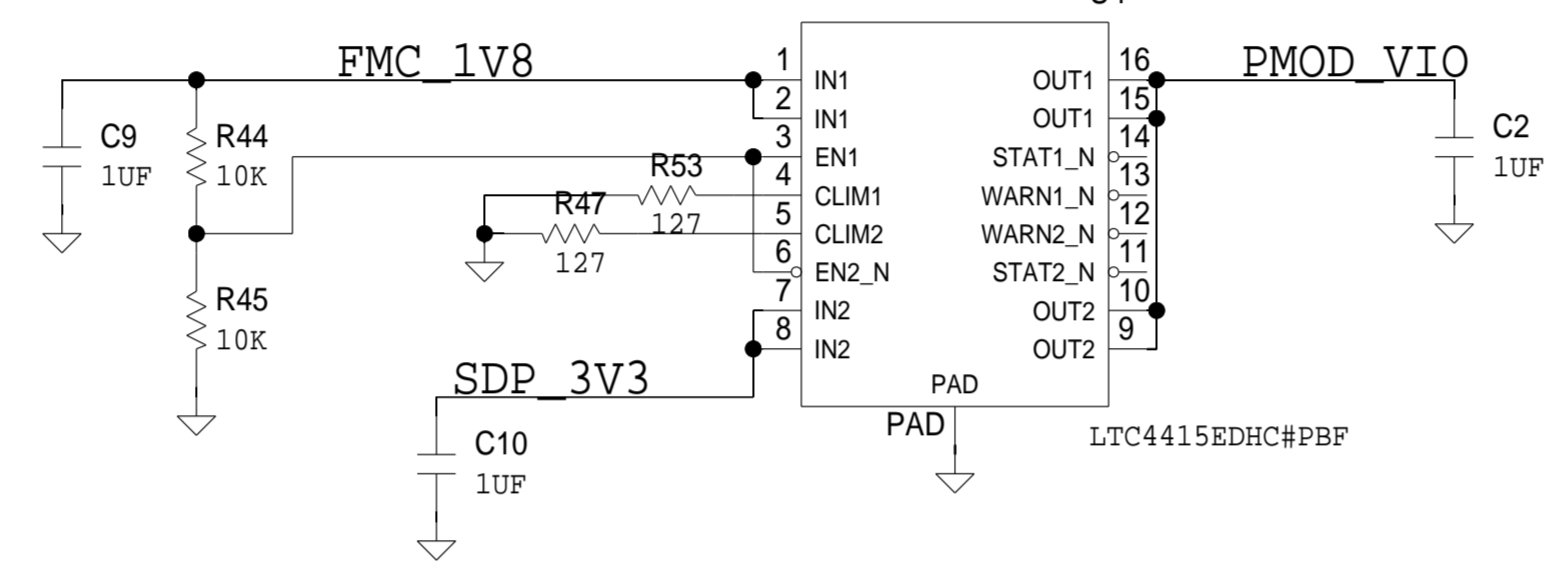
REVISIONS			
REV	DESCRIPTION	DATE	APPROVED

FMC VIO IS 1.8V, SDP VIO IS 3.3V

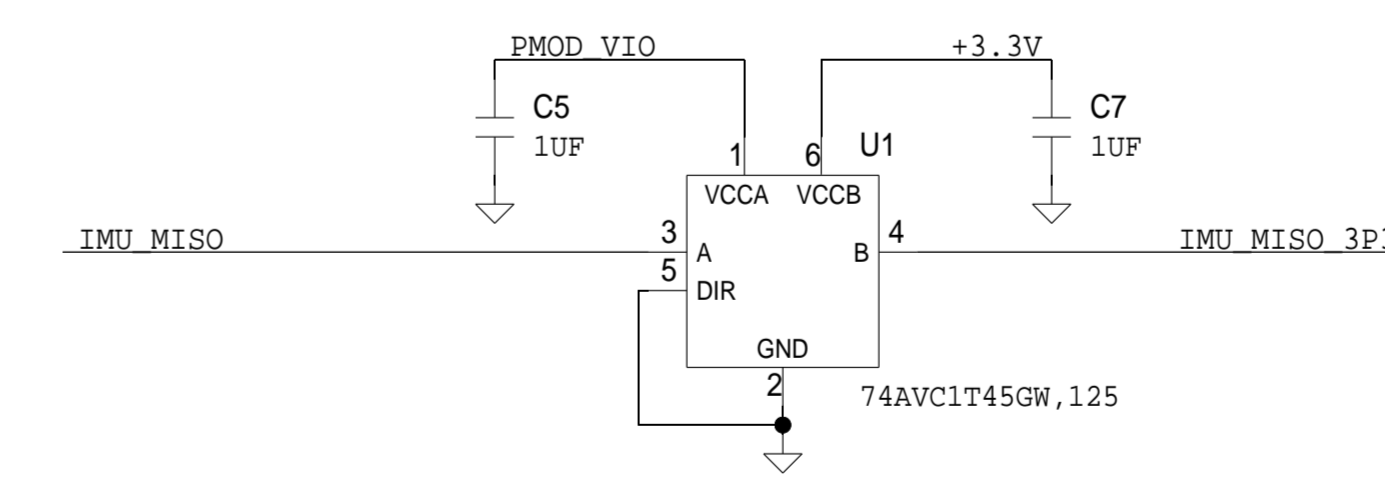
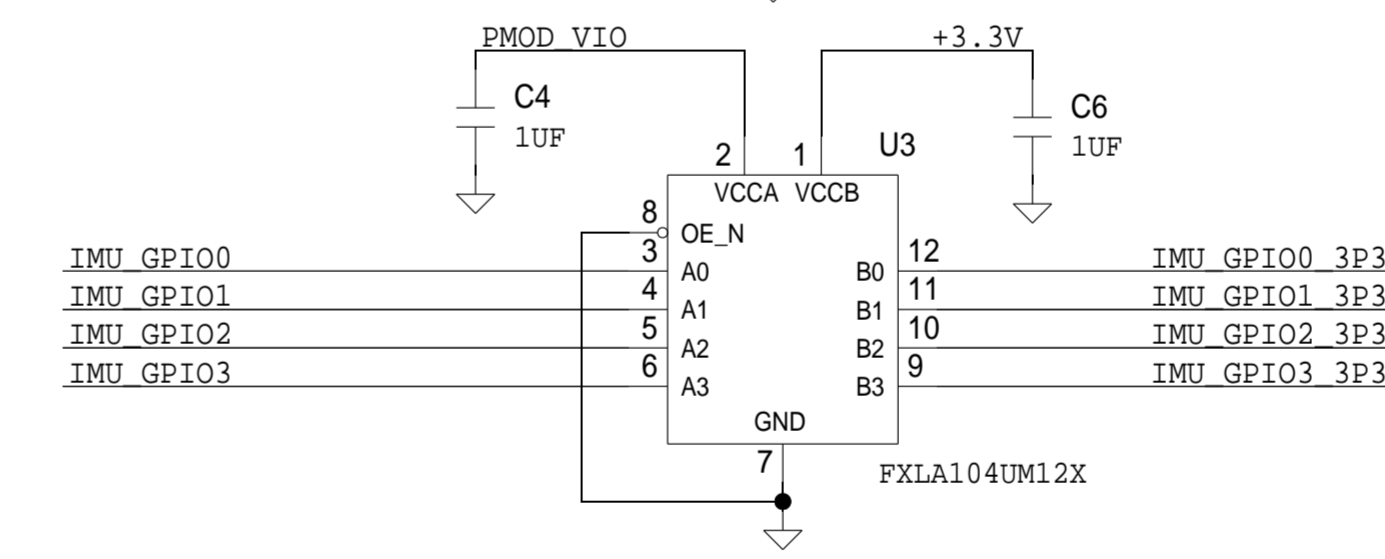
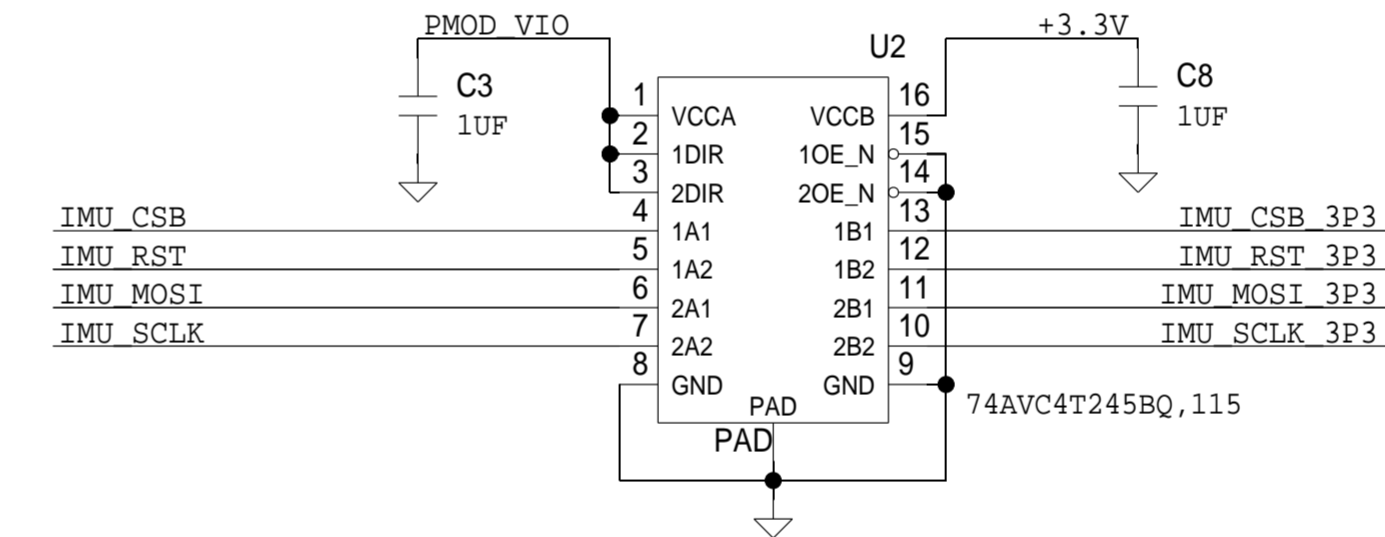
XUD1A PMOD



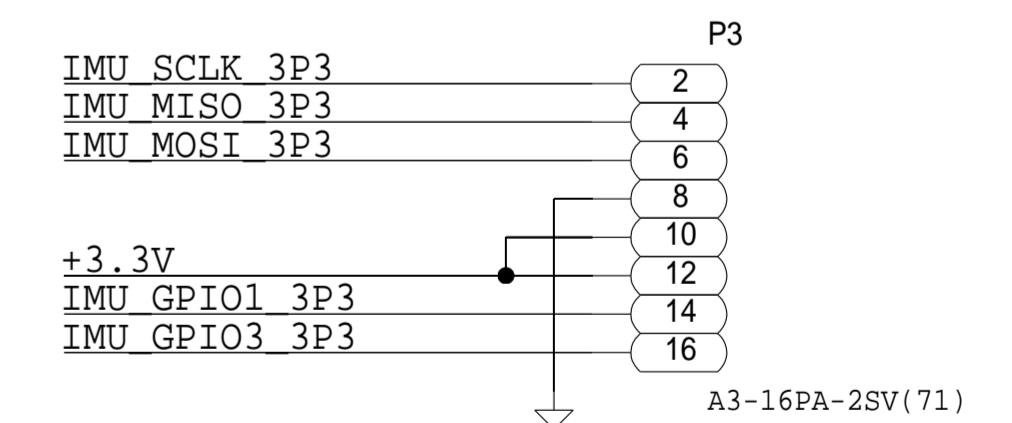
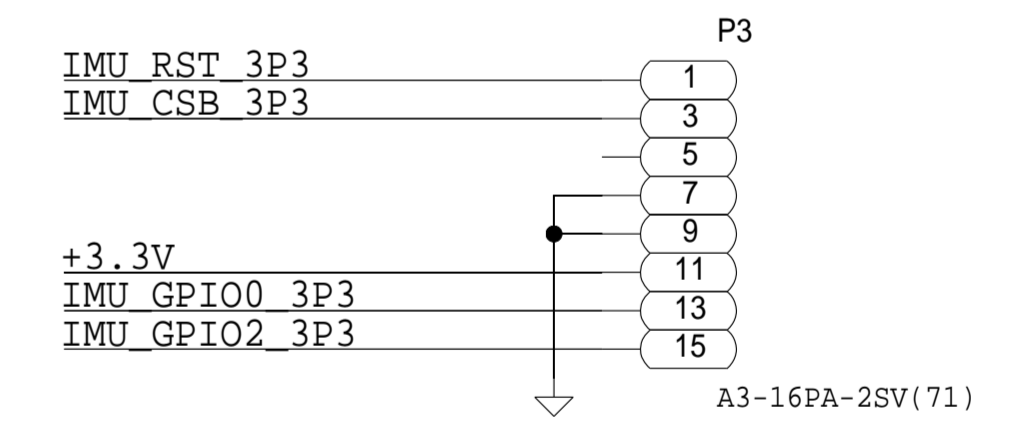
PMOD VIO



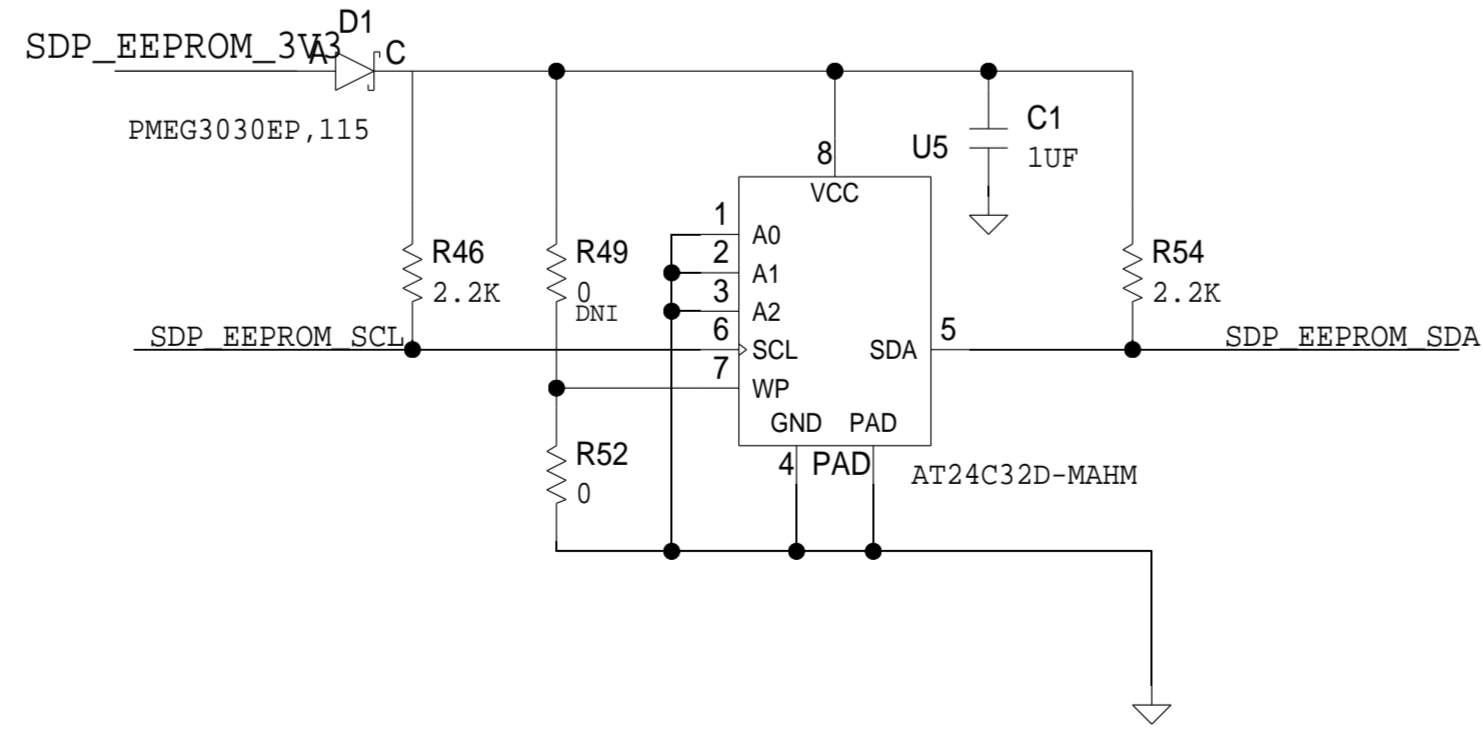
IMU LVL XTALS



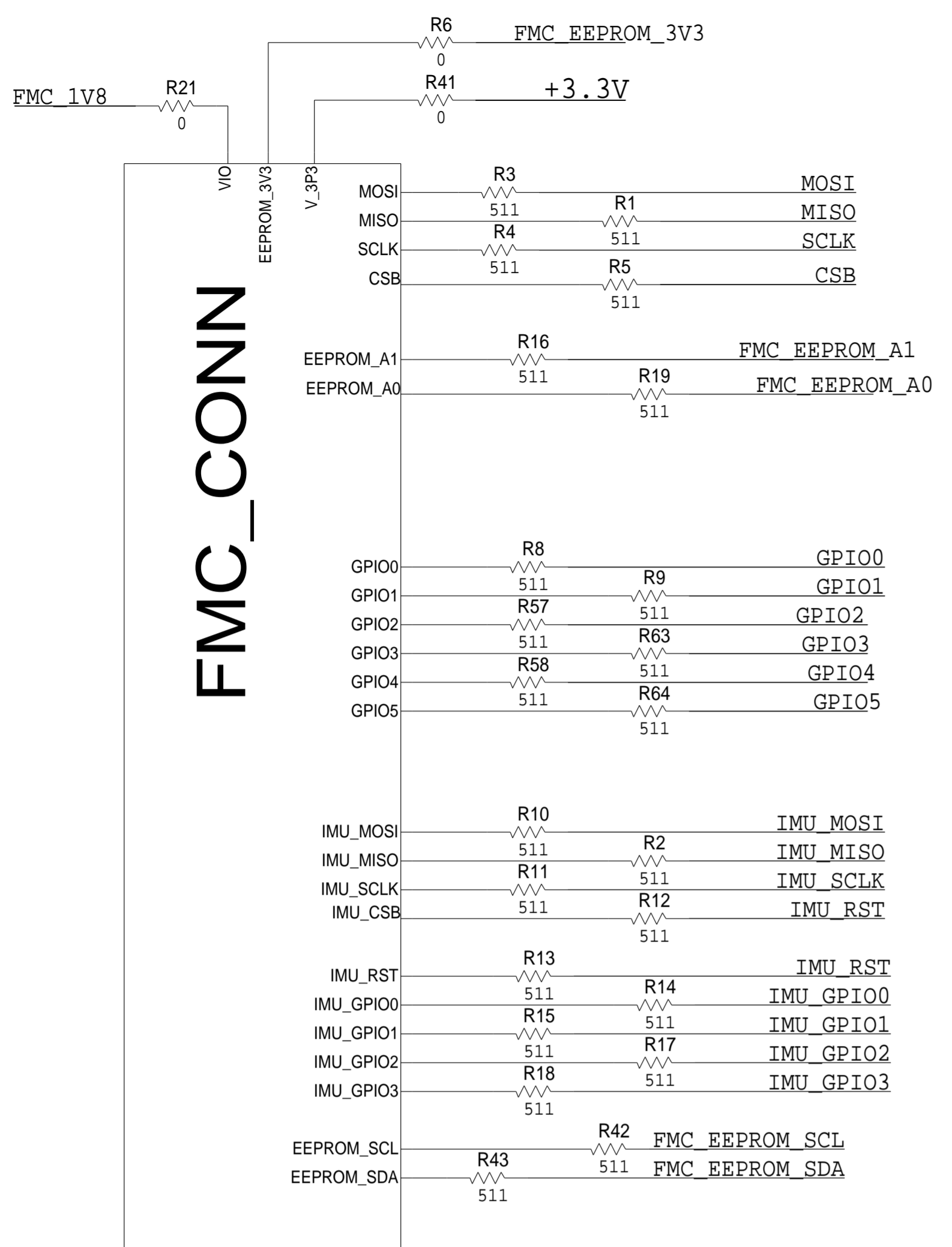
IMU HEADER



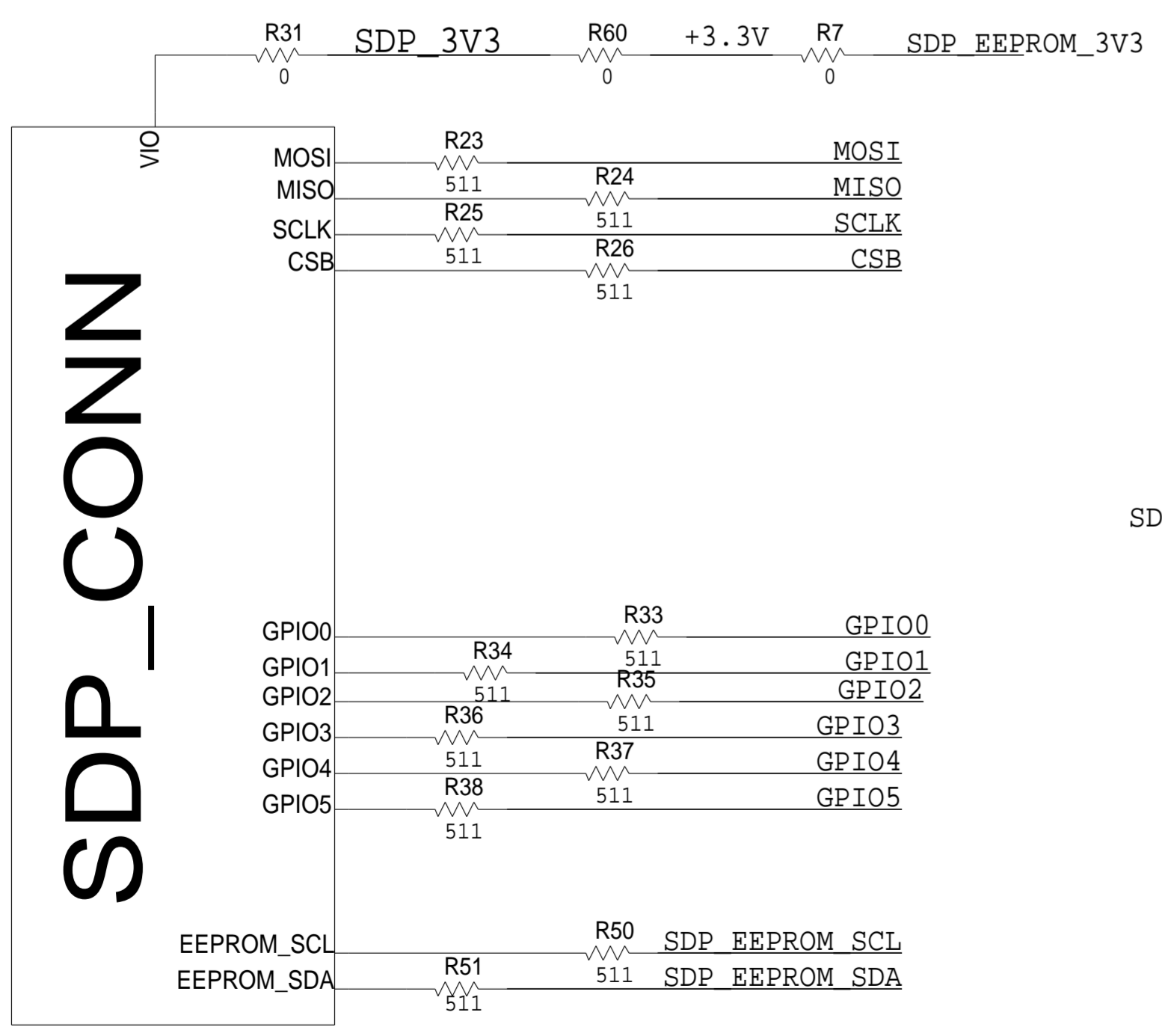
EEPROM



FMC_CONN



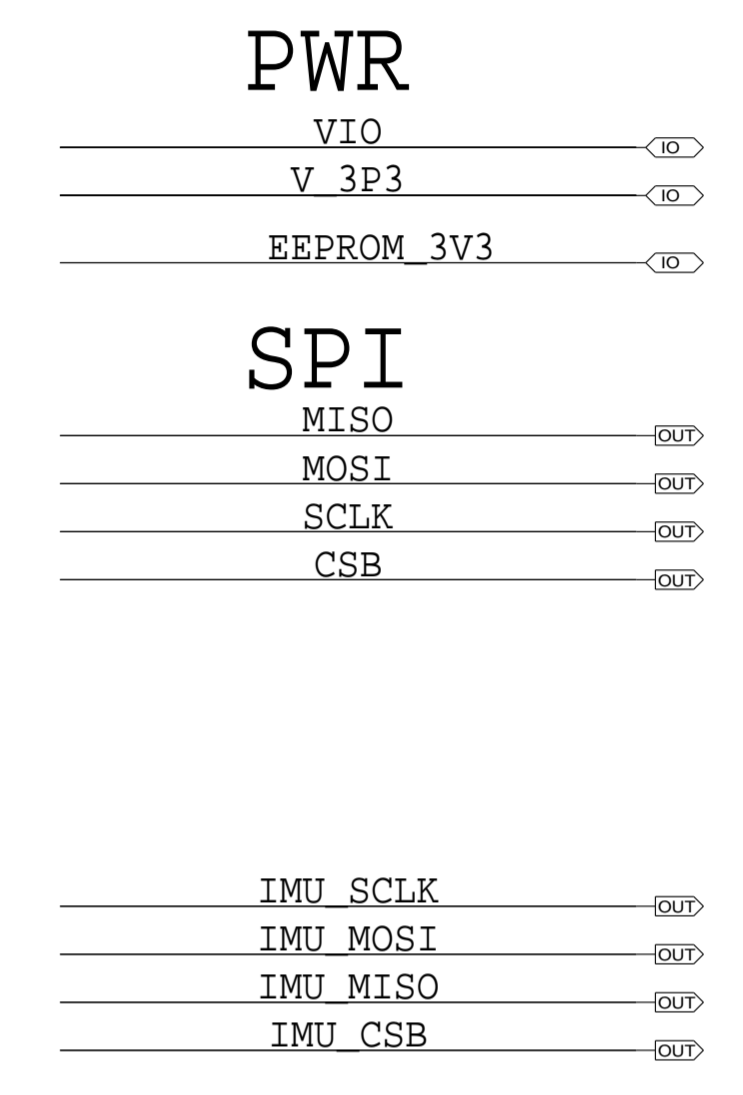
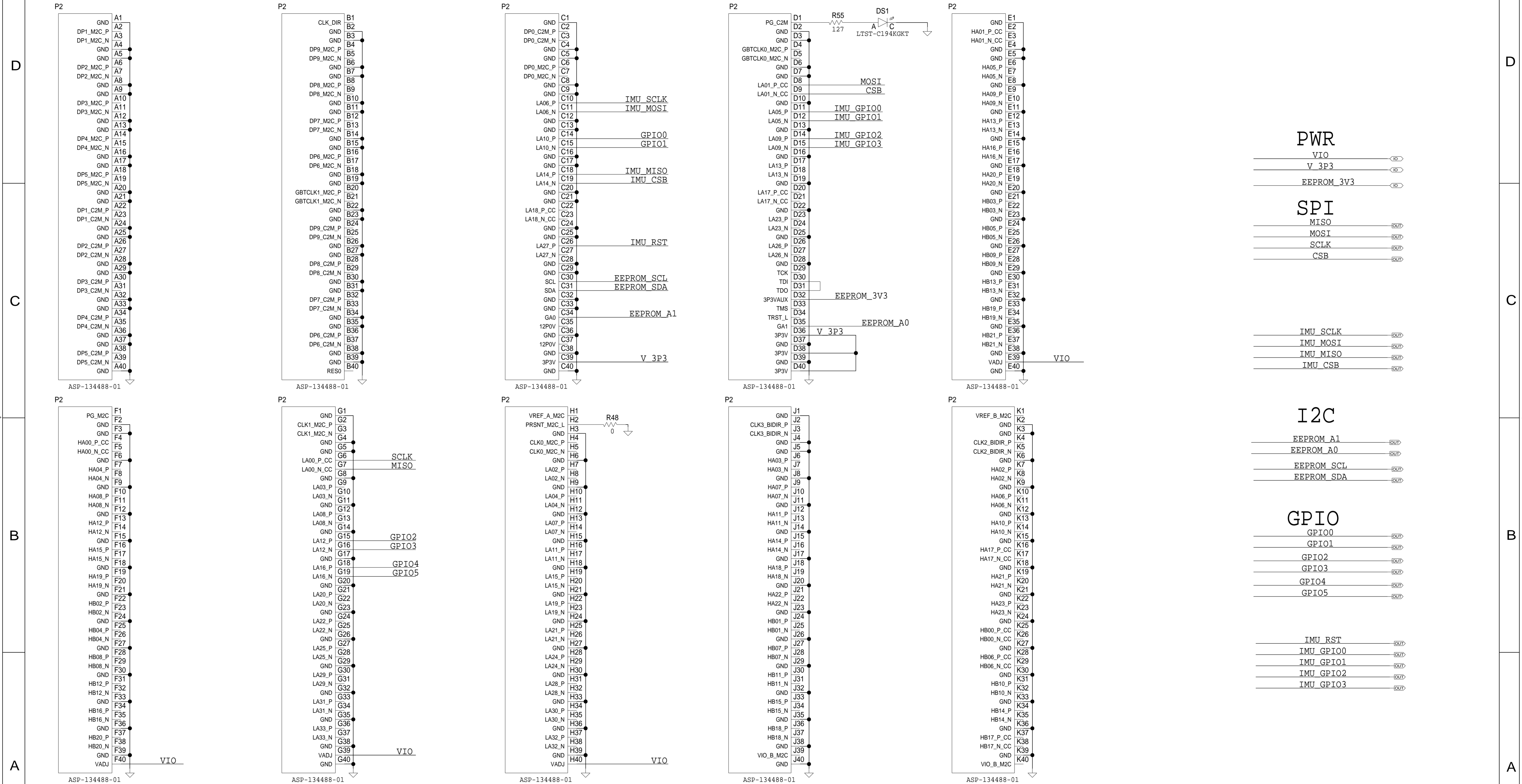
SDP_CONN



SCHEMATIC			
HW TYPE : Customer Evaluation Z		Product(s) : N/A	
DESIGN VIEW : <DESIGN_VIEW>	DRAWING NO. : 02_067148	REV : A	
PTD ENGINEER : M. STETZLER	SIZE : D	SCALE : 1:1	SHEET 2 OF 4

THIS DRAWING IS THE PROPERTY OF ANALOG DEVICES INC. IT IS NOT TO BE REPRODUCED OR COPIED, IN WHOLE OR IN PART, OR USED IN ANY MANNER WITHOUT THE WRITTEN PERMISSION OF ANALOG DEVICES. THE EQUIPMENT SHOWN HEREIN MAY BE PROTECTED BY PATENTS OWNED OR CONTROLLED BY ANALOG DEVICES.

REVISIONS			
REV	DESCRIPTION	DATE	APPROVED

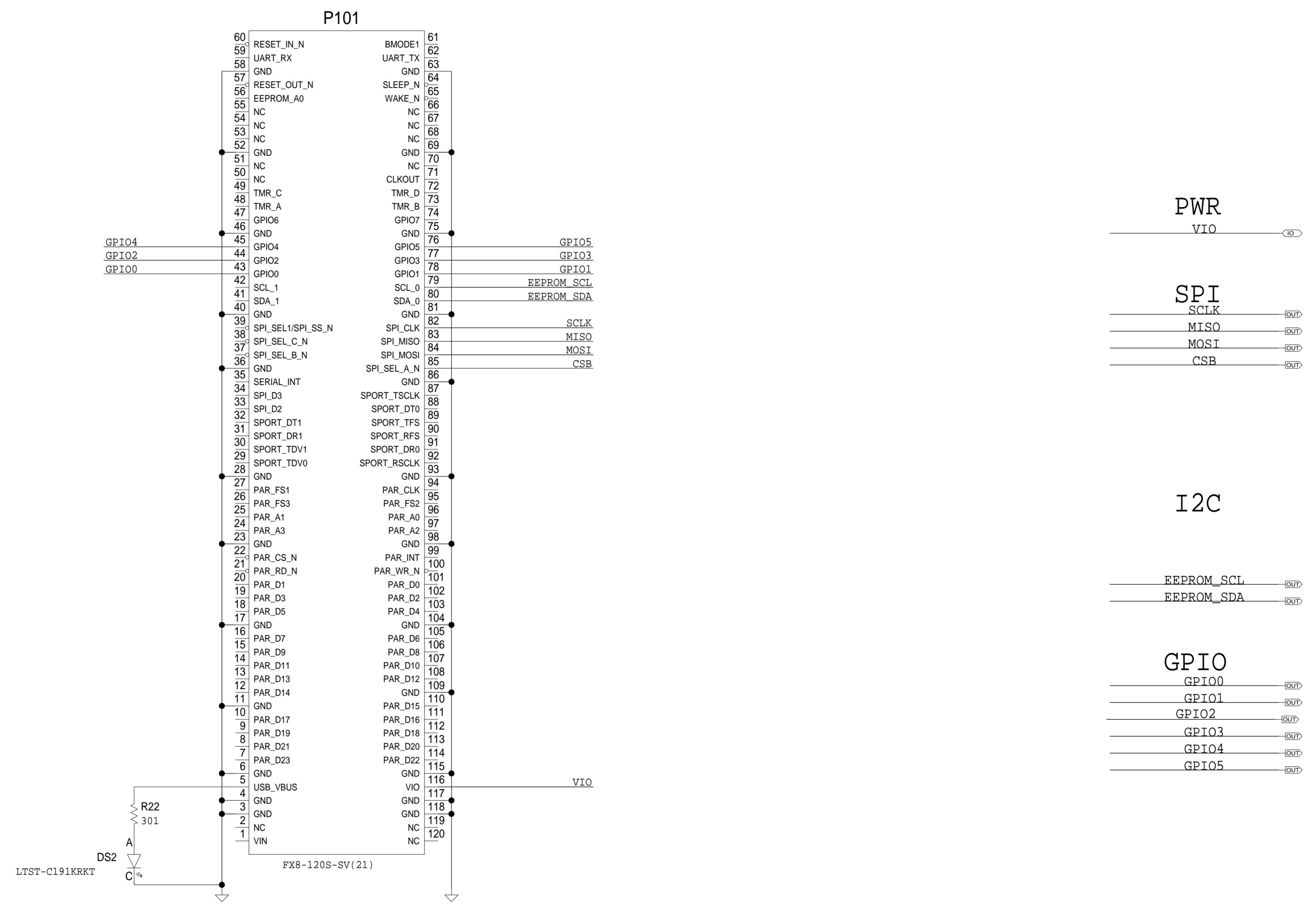


SCHEMATIC			
HW TYPE : Customer Evaluation Z		Product(s) : N/A	
DESIGN VIEW <DESIGN_VIEW>		DRAWING NO. 02_067148	REV A
PTD ENGINEER M. STETZLER		SIZE D	SCALE 1:1
		SHEET 3	OF 4

ANALOG DEVICES

THIS DRAWING IS THE PROPERTY OF ANALOG DEVICES INC. IT IS NOT TO BE REPRODUCED OR COPIED, IN WHOLE OR IN PART, OR USED IN ANY MANNER WITHOUT THE WRITTEN PERMISSION OF ANALOG DEVICES. THE EQUIPMENT SHOWN HEREIN MAY BE PROTECTED BY PATENTS OWNED OR CONTROLLED BY ANALOG DEVICES.

REVISIONS			
REV	DESCRIPTION	DATE	APPROVED



	SCHEMATIC		
	HW TYPE : Customer Evaluation Z		
	Product(s) : N/A		
	: N/A		
DESIGN VIEW <DESIGN_VIEW>	DRAWING NO. 02_067148	REV A	
PTD ENGINEER M. STETZLER	SIZE D	SCALE 1:1	SHEET 4 OF 4