

8 7 6 5 4 3 2 1

THIS DRAWING IS THE PROPERTY OF ANALOG DEVICES INC. IT IS NOT TO BE REPRODUCED OR COPIED, IN WHOLE OR IN PART, OR USED IN FURNISHING INFORMATION TO OTHERS, OR FOR ANY OTHER PURPOSE DETRIMENTAL TO THE INTERESTS OF ANALOG DEVICES. THE EQUIPMENT SHOWN HEREON MAY BE PROTECTED BY PATENTS OWNED OR CONTROLLED BY ANALOG DEVICES.

RELAY CONTROL CHART


CONTROL	CODE	DEVICE	FUNCTION	CONNECTOR

JUMPER TABLE		
JP#	ON	OFF
1		
2		
3		
4		
5		

\* SEE ASSEMBLY INSTRUCTIONS

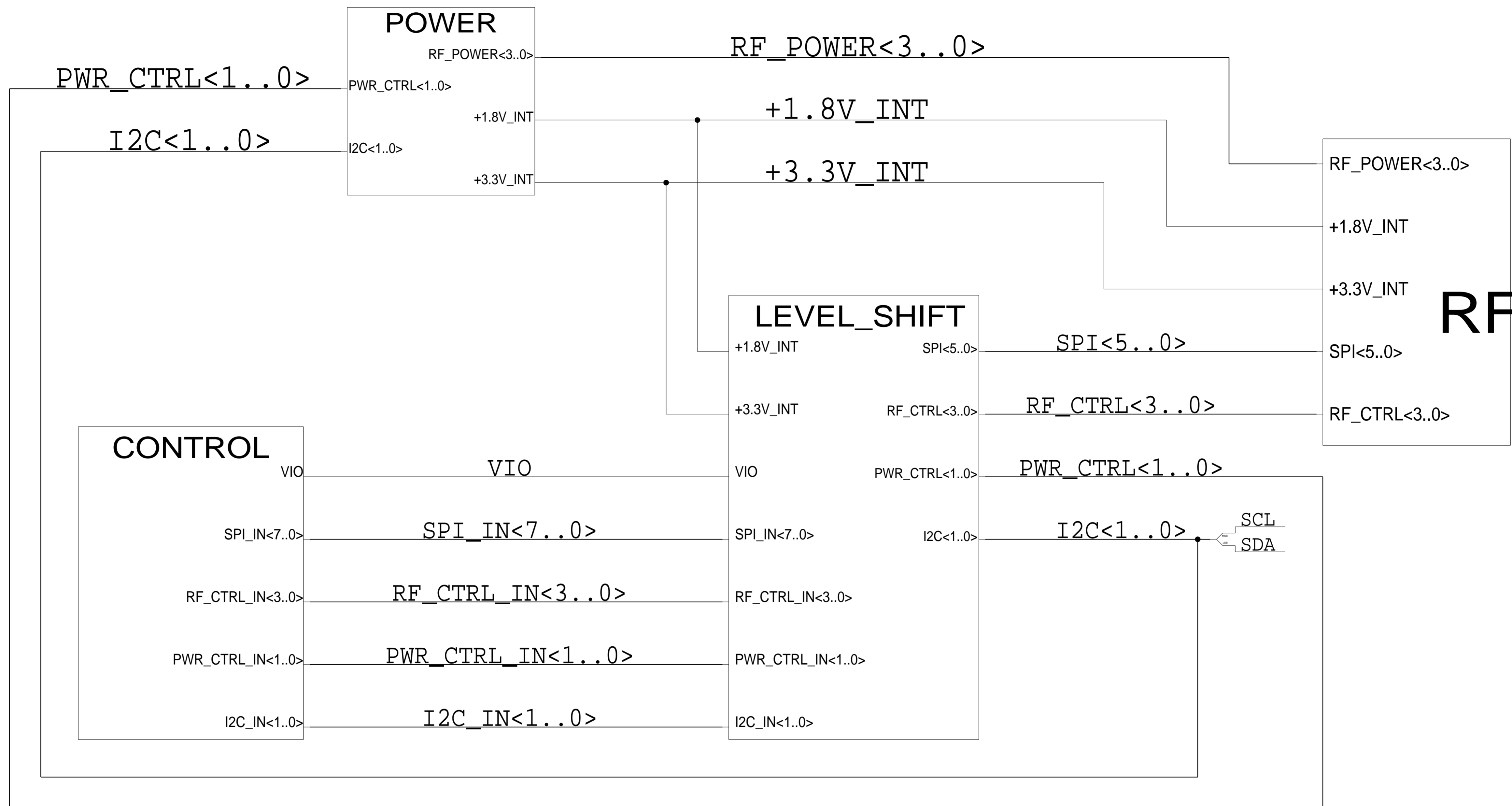
REVISIONS			
REV	DESCRIPTION	DATE	APPROVED

P.O SPEC.	BK/BD SPEC.	SOCKET OEM	OEM PART#	HANDLER

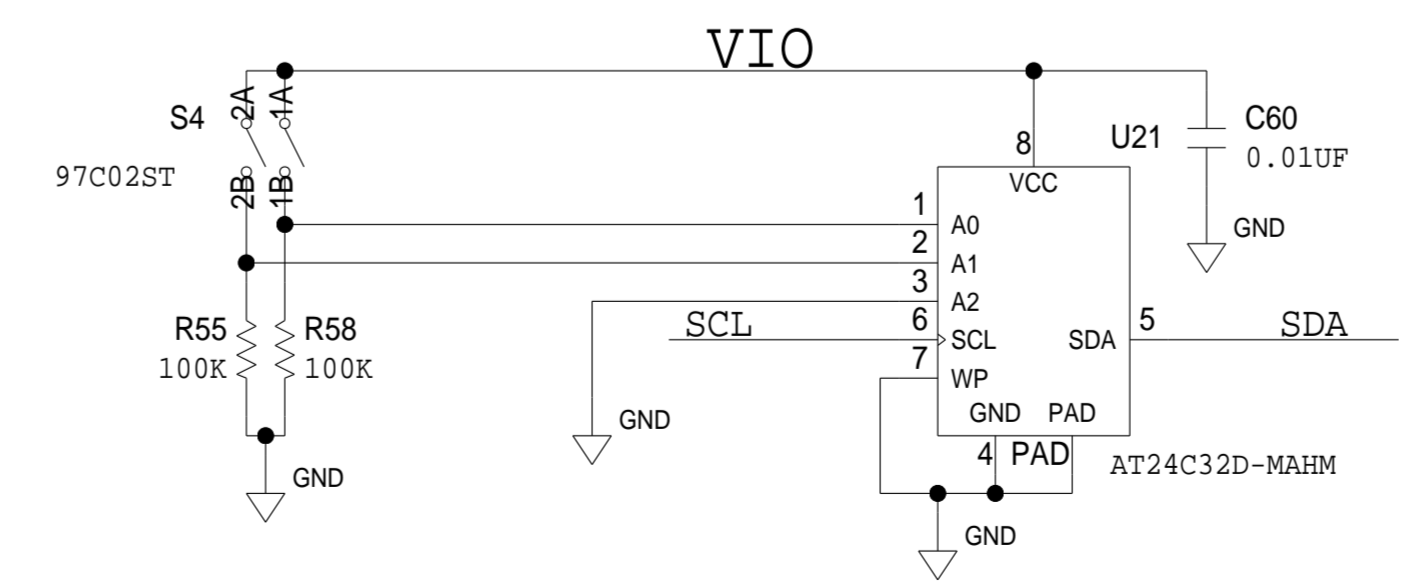
TEMPLATE ENGINEER - HARDWARE SERVICES - HARDWARE SYSTEMS - TEST ENGINEER - COMPONENT ENGINEER - TEST PROCESS - HARDWARE RELEASE - DESIGNER - PTD ENGINEER <PTD_ENGINEER> CHECKER -	DATE                    	<b>SCHEMATIC</b>  HW TYPE : Customer Evaluation Product(s): ADAR1000 : ADTR1107 PACKAGE : LeadCount-lead BodySize PackageType-family : Pitch-pitch StyleVendor Style  <User Define> <User Define> <User Define>	
MASTER PROJECT TEMPLATE TBD  UNLESS OTHERWISE SPECIFIED DIMENSIONS ARE IN INCHES <b>TOLERANCES</b> DECIMALS      FRACTIONS      ANGLES X.XX +0.010      +1/32      +2 X.XXX +0.005	TESTER TEMPLATE no_template	<b>DRAWING NO.</b> 02_059522  <b>REV.</b> B	<b>SIZE</b> D <b>SCALE</b> 1:1 <b>CODE ID NO.</b> CodeID <b>SHEET</b> 1 <b>OF</b> 19

8 7 6 5 4 3 2 1

REVISIONS			
REV	DESCRIPTION	DATE	APPROVED

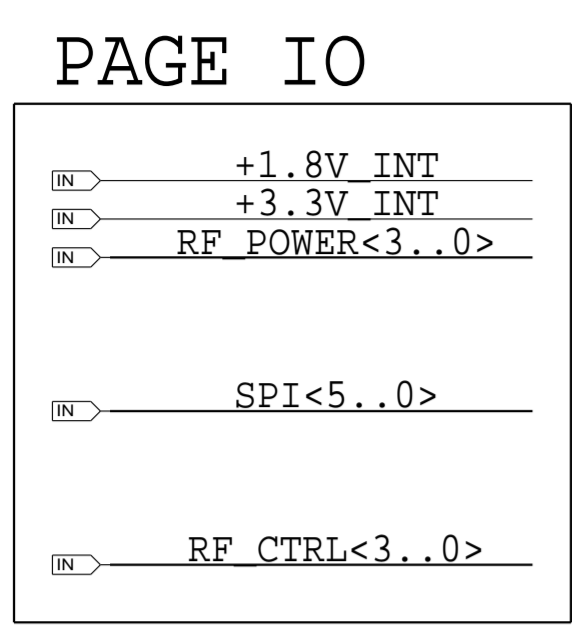


### BOARD ADDRESS & EEPROM

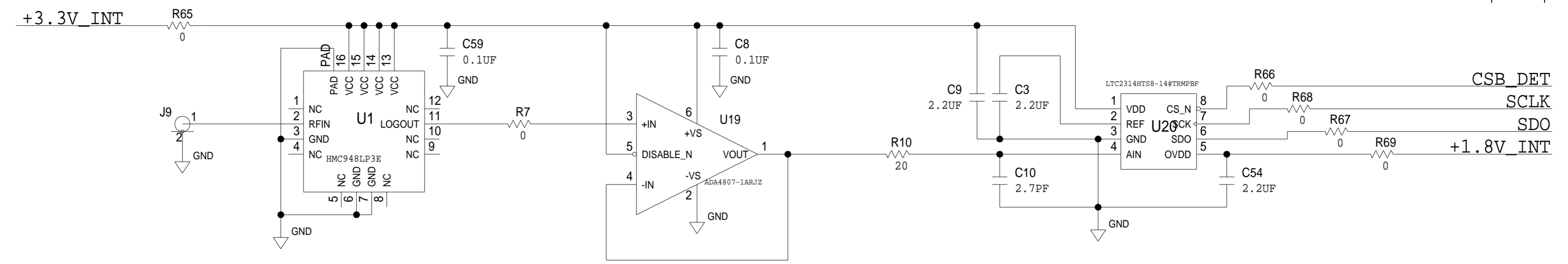


	<b>SCHEMATIC</b>		
	HW TYPE : Customer Evaluation Product(s) : ADAR1000 : ADTR1107		
	DESIGN VIEW <DESIGN_VIEW>	DRAWING NO. 02_059522	REV B
	PTD ENGINEER <PTD_ENGINEER>	SIZE <b>D</b> SCALE 1:1	SHEET 2 OF 19

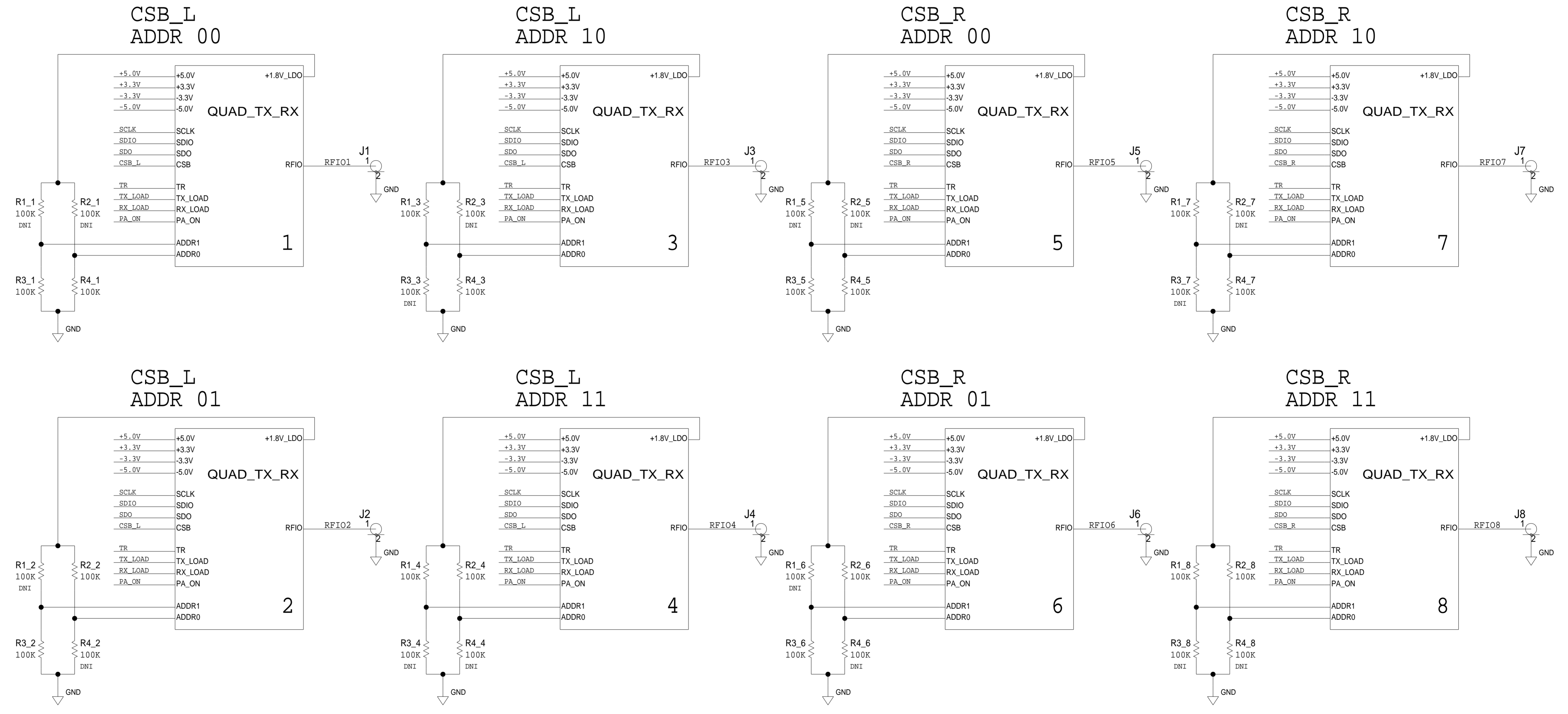
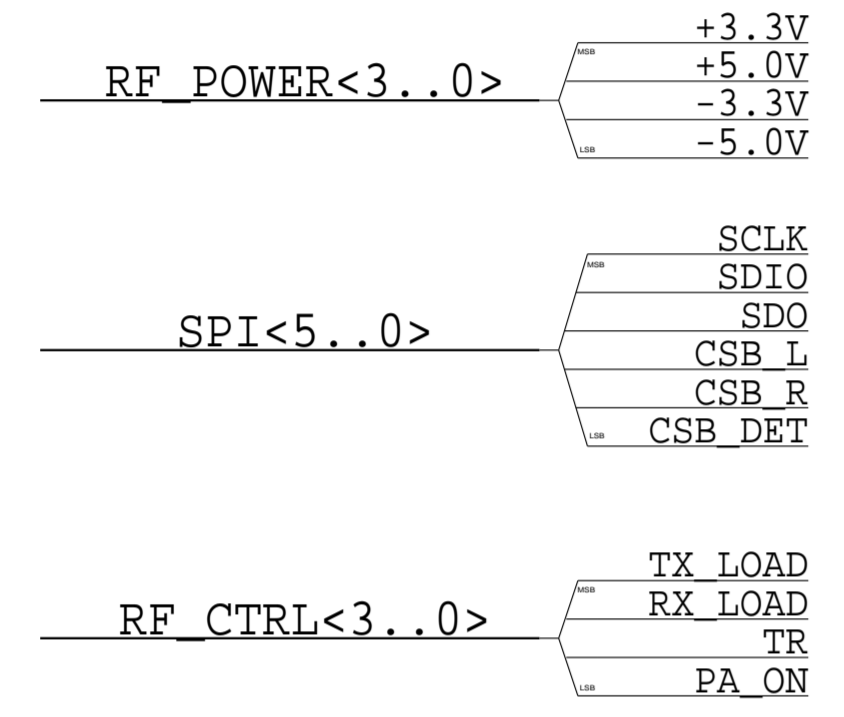
REVISIONS			
REV	DESCRIPTION	DATE	APPROVED



**CALIBRATION DETECTOR/ADC COMBO**

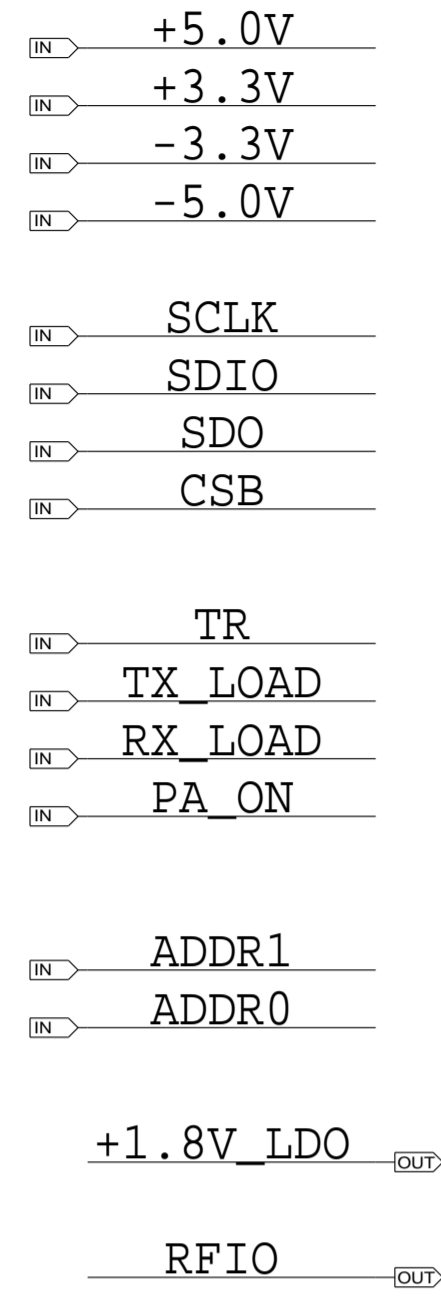


**INPUT BUSES**

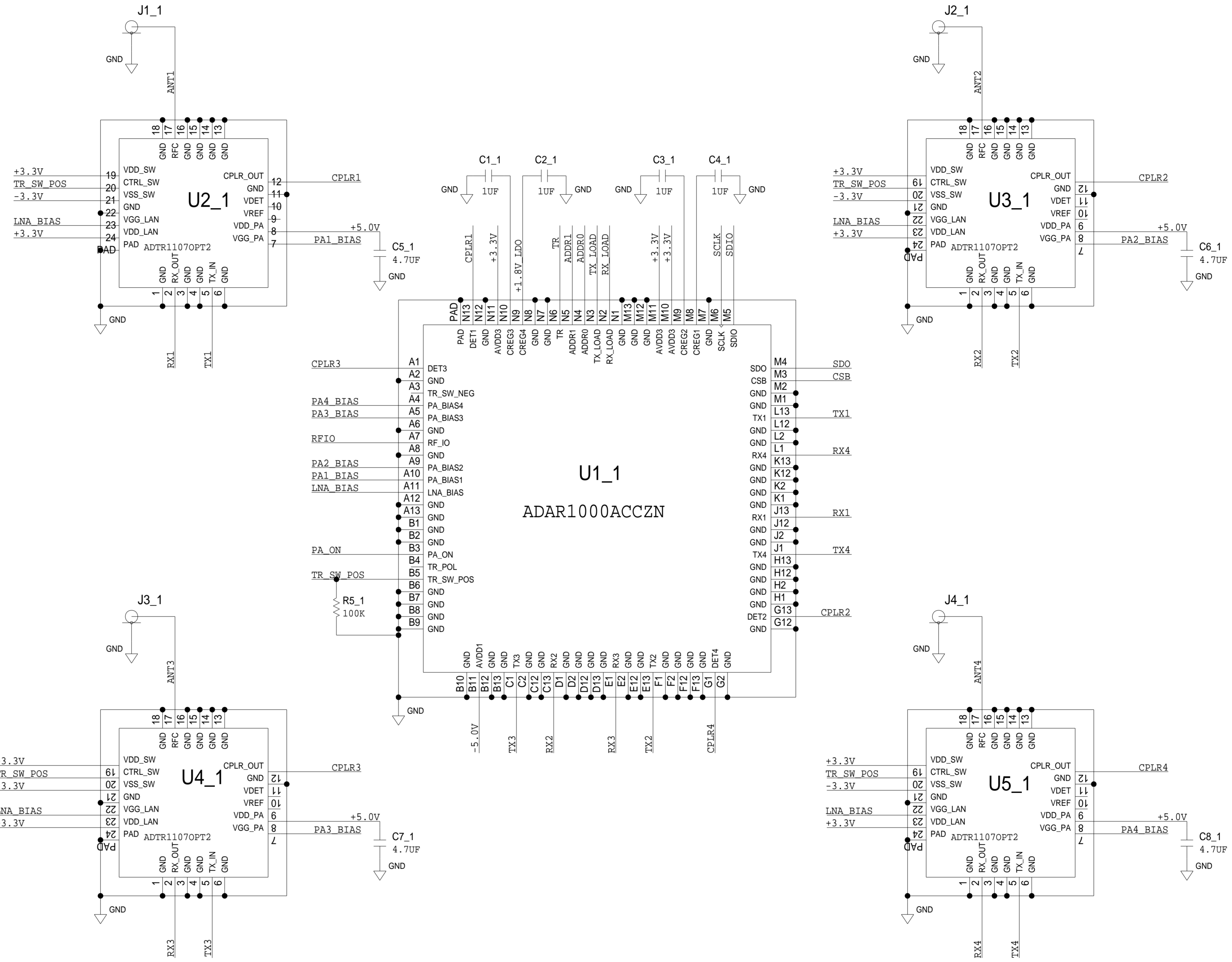
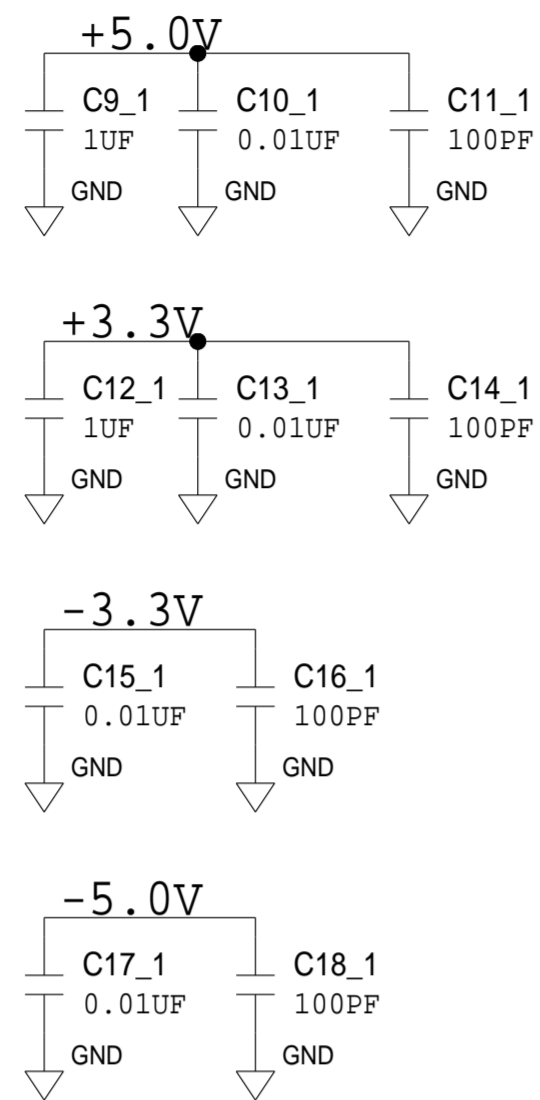


	<b>SCHEMATIC</b>			
	HW TYPE : Customer Evaluation Product(s) : ADAR1000 : ADTR1107			
	DESIGN VIEW	DRAWING NO.		REV
	<DESIGN_VIEW>	02_059522		B
PTD ENGINEER	SIZE	SCALE	SHEET 3 OF 19	
<PTD_ENGINEER>	D	1:1		

# PAGE IO



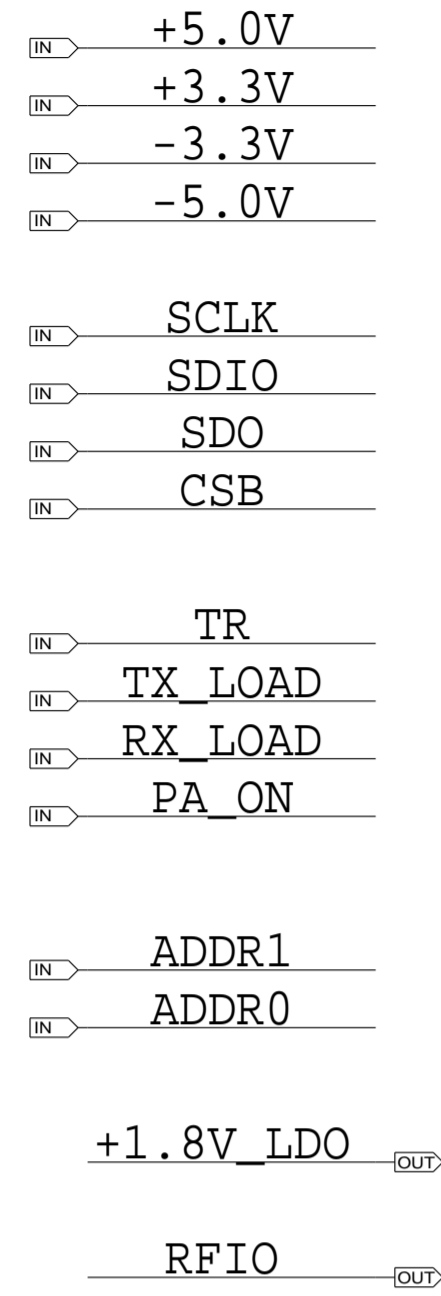
## DECOUPLING



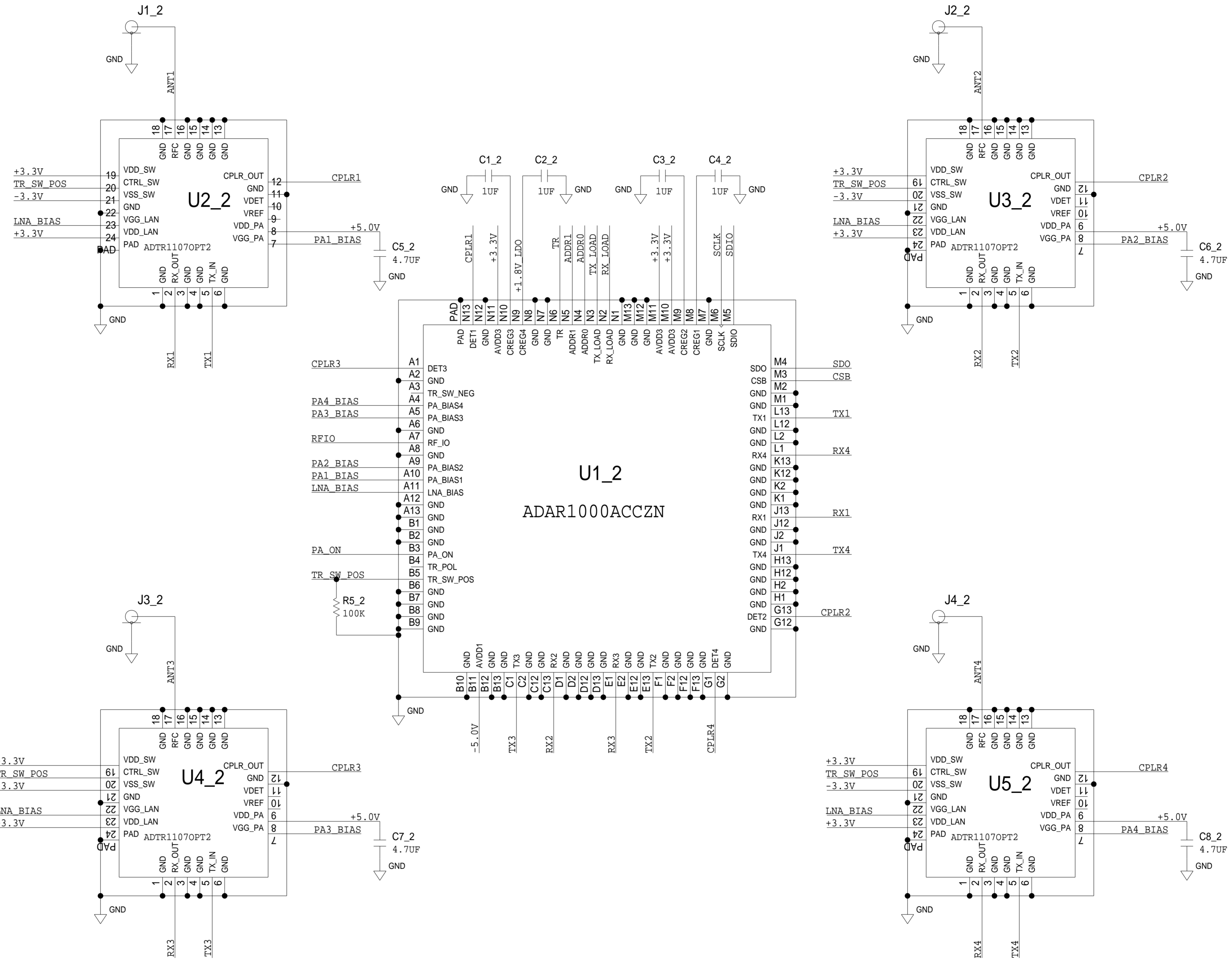
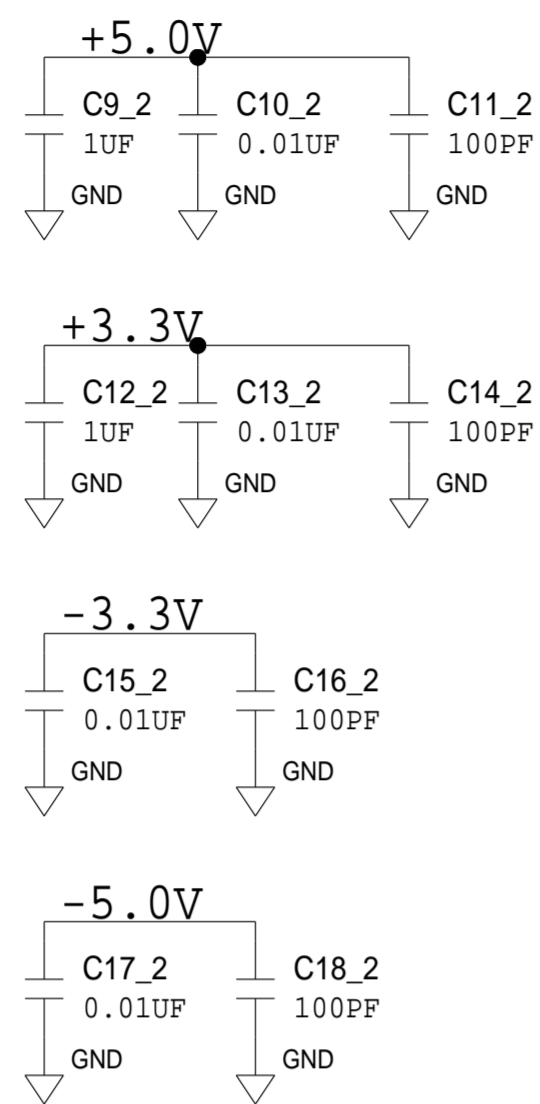
REVISIONS			
REV	DESCRIPTION	DATE	APPROVED

	<b>SCHEMATIC</b>		
	HW TYPE : Customer Evaluation		
	Product(s) : ADAR1000 : ADTR1107		
	DESIGN VIEW <DESIGN_VIEW>	DRAWING NO. 02_059522	REV B
PTD ENGINEER <PTD_ENGINEER>	SIZE D	SCALE 1:1	SHEET 4 OF 19

# PAGE IO



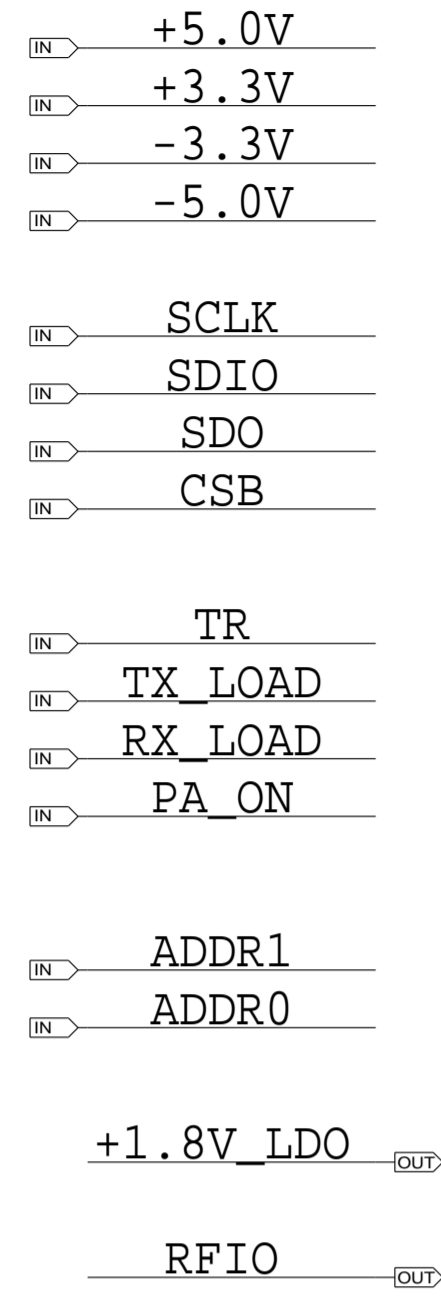
## DECOUPLING



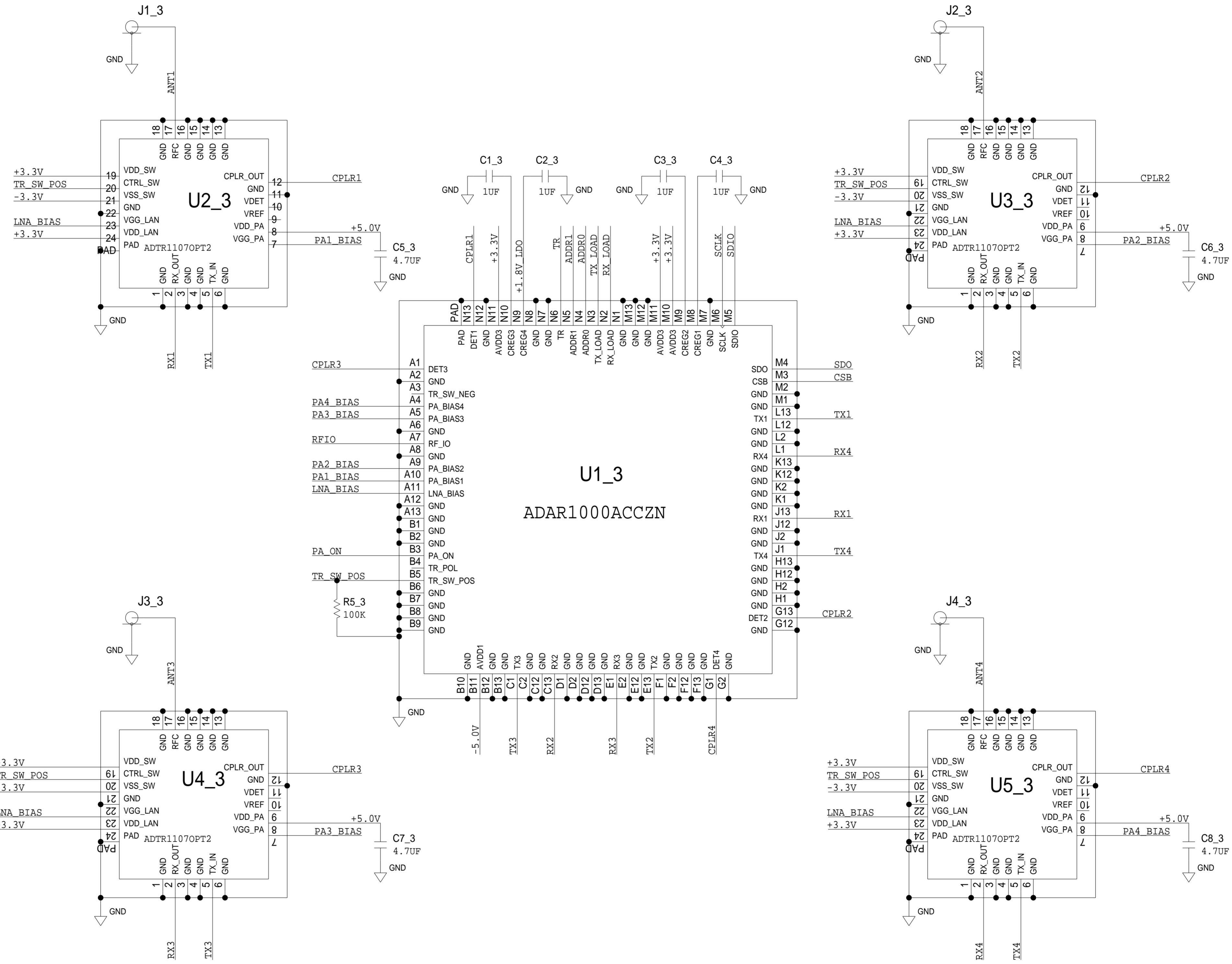
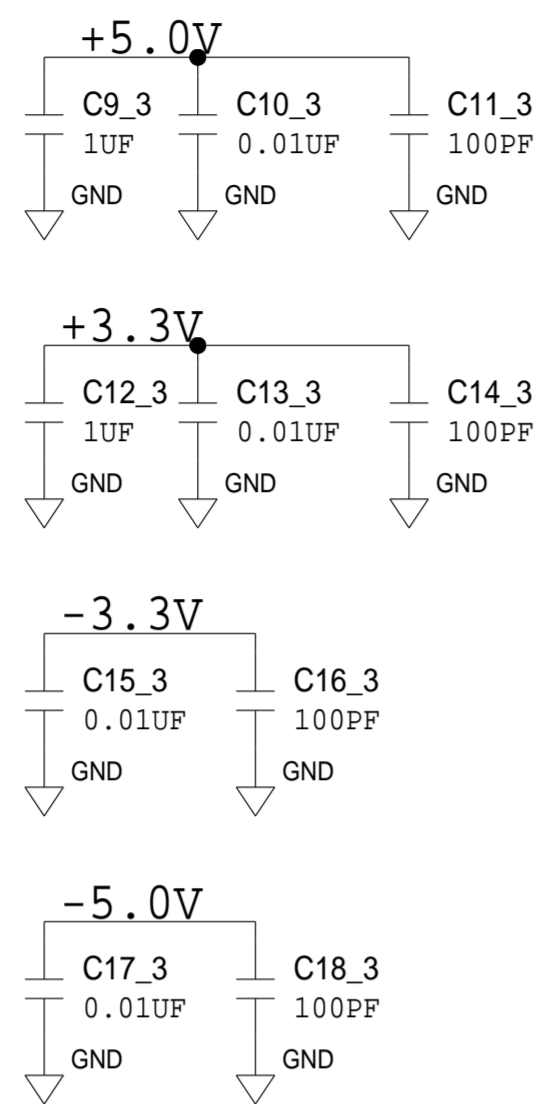
REVISIONS			
REV	DESCRIPTION	DATE	APPROVED

	<b>SCHEMATIC</b>		
	HW TYPE : Customer Evaluation		
	Product(s): ADAR1000 : ADTR1107		
	DESIGN VIEW <DESIGN_VIEW>	DRAWING NO. 02_059522	REV B
PTD ENGINEER <PTD_ENGINEER>	SIZE D	SCALE 1:1	SHEET 5 OF 19

# PAGE IO



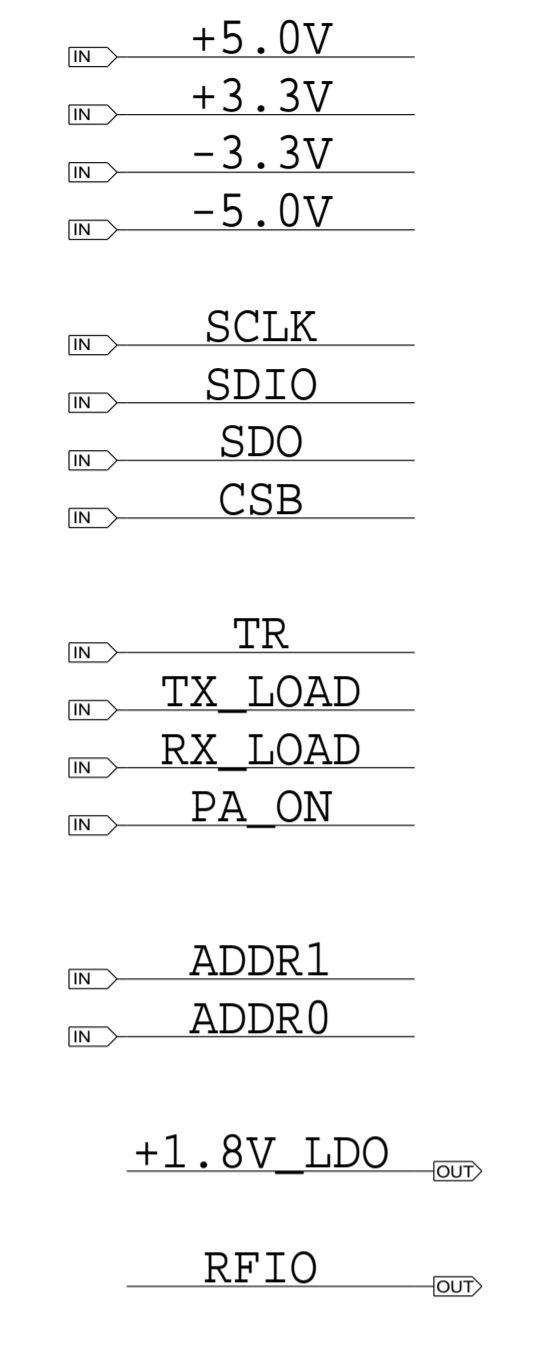
## DECOUPLING



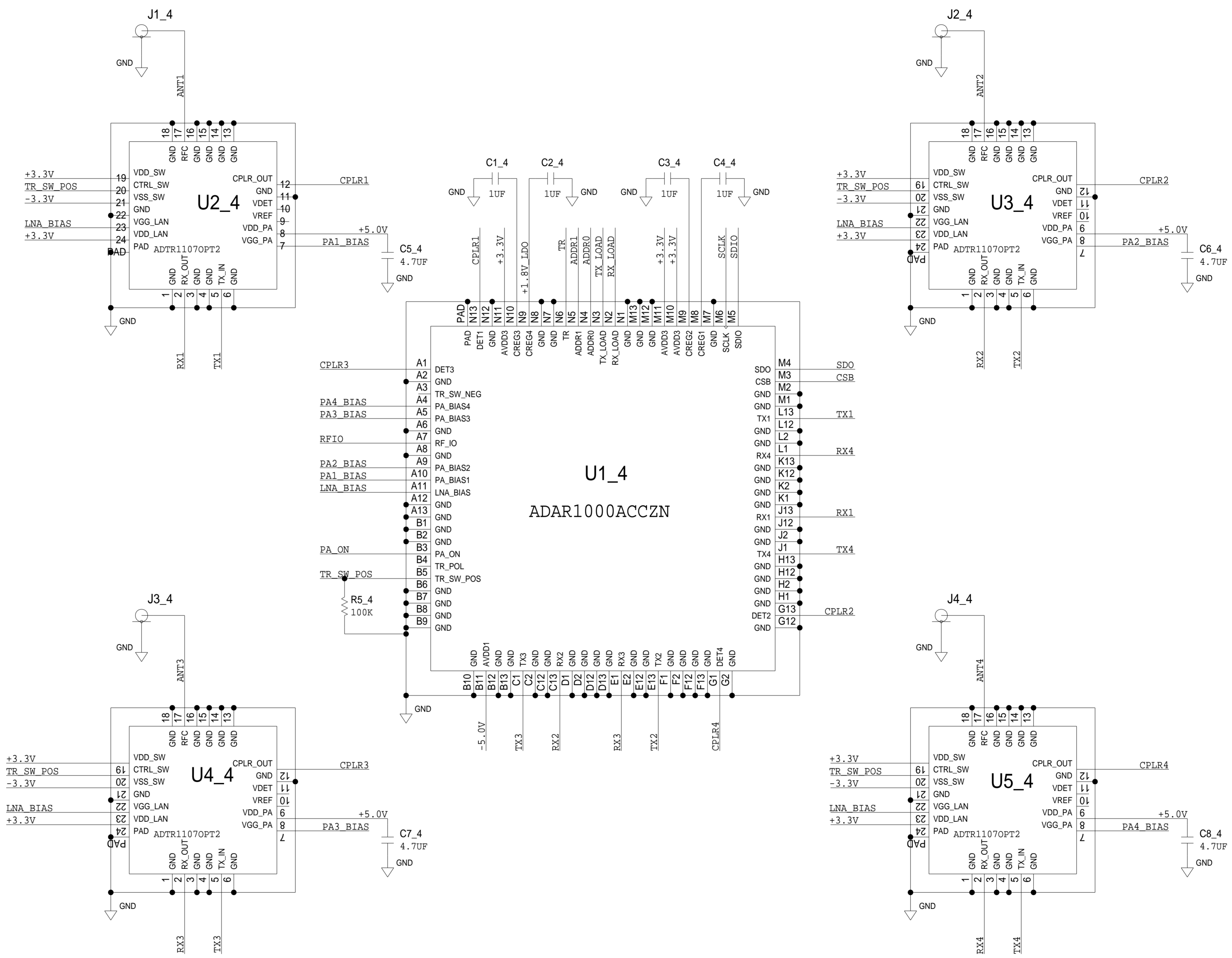
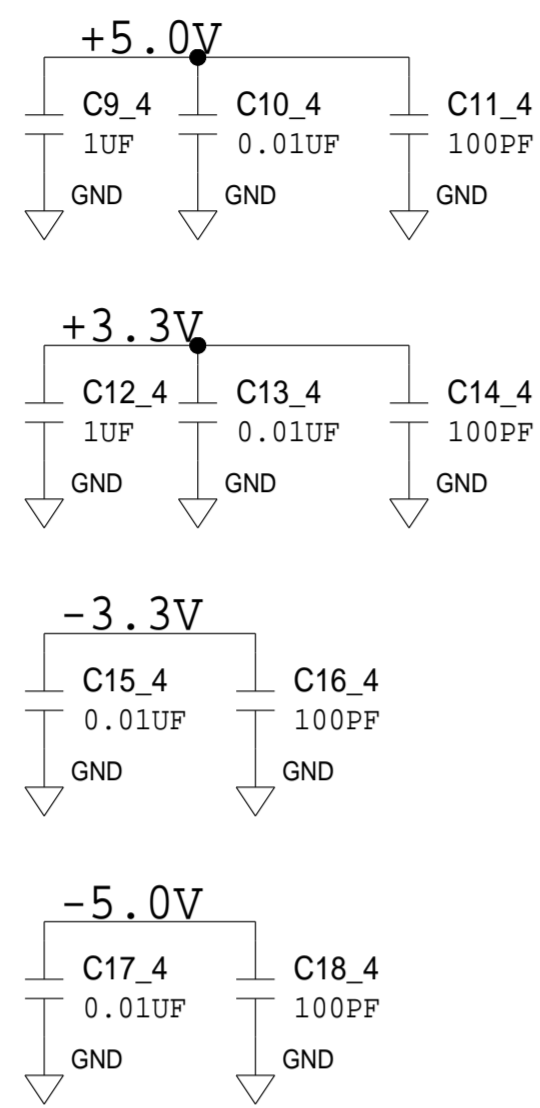
REVISIONS			
REV	DESCRIPTION	DATE	APPROVED

	<b>SCHEMATIC</b>		
	HW TYPE : Customer Evaluation		
	Product(s) : ADAR1000 : ADTR1107		
	DESIGN VIEW <DESIGN_VIEW>	DRAWING NO. 02_059522	REV B
PTD ENGINEER <PTD_ENGINEER>	SIZE D	SCALE 1:1	SHEET 6 OF 19

PAGE IO



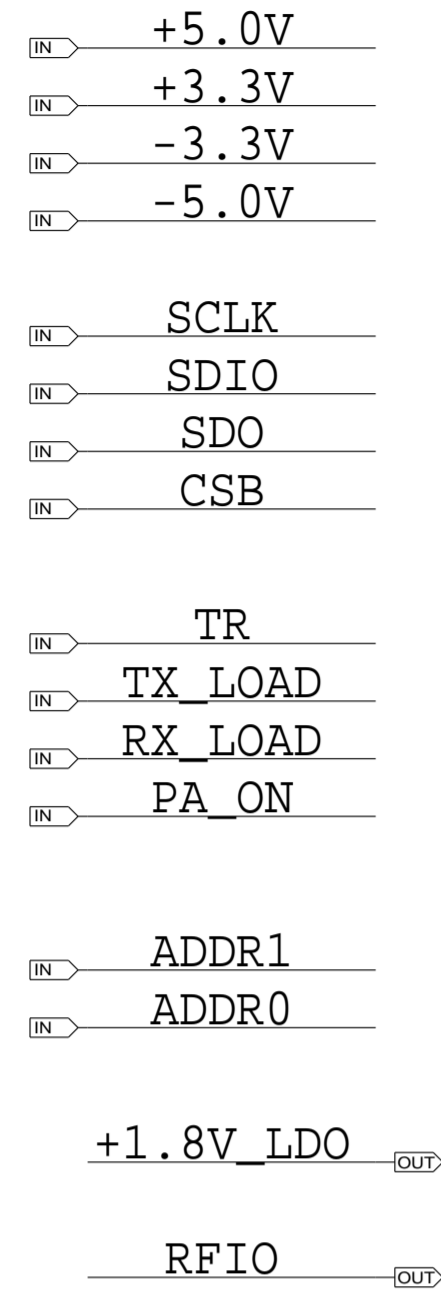
DECOUPLING



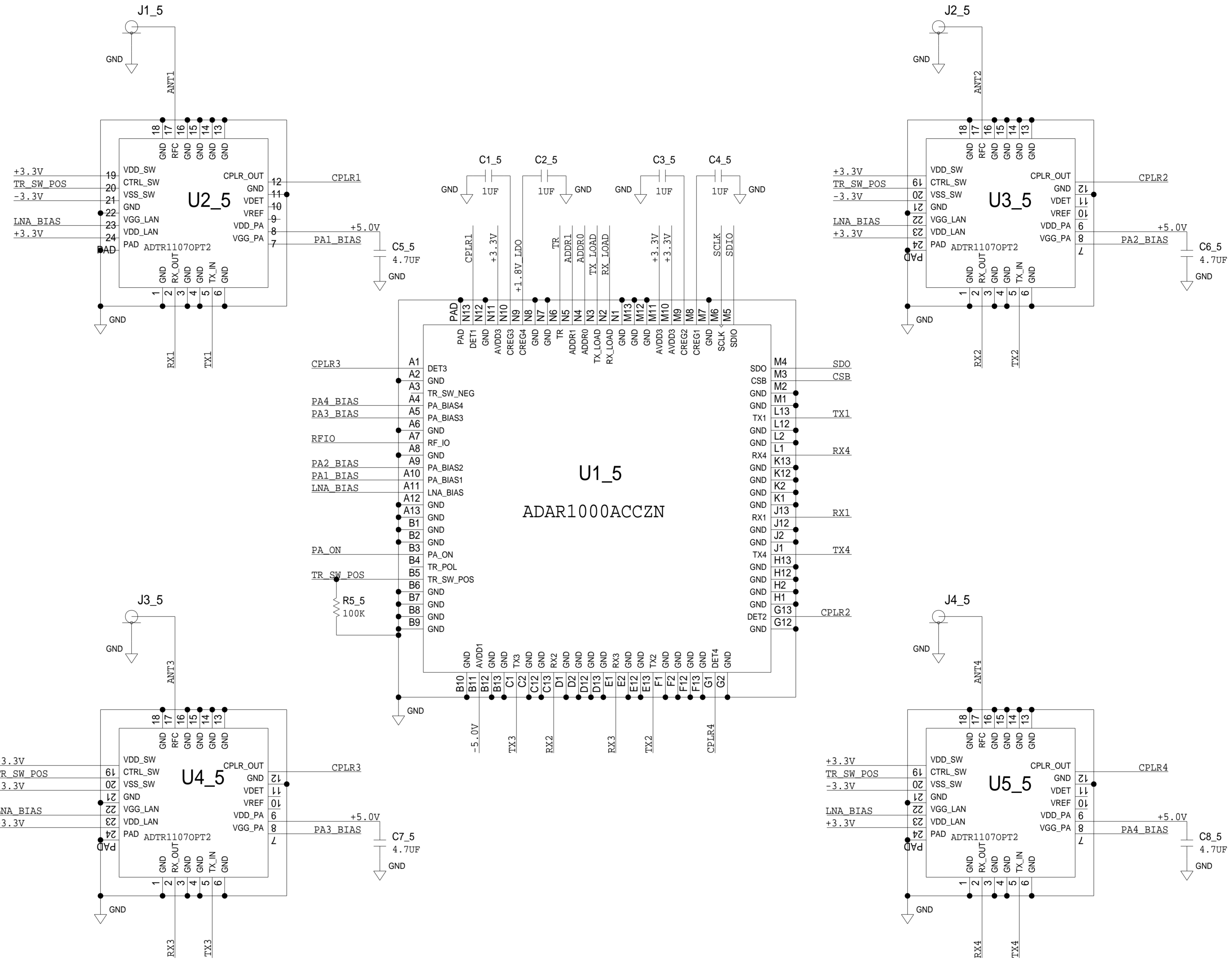
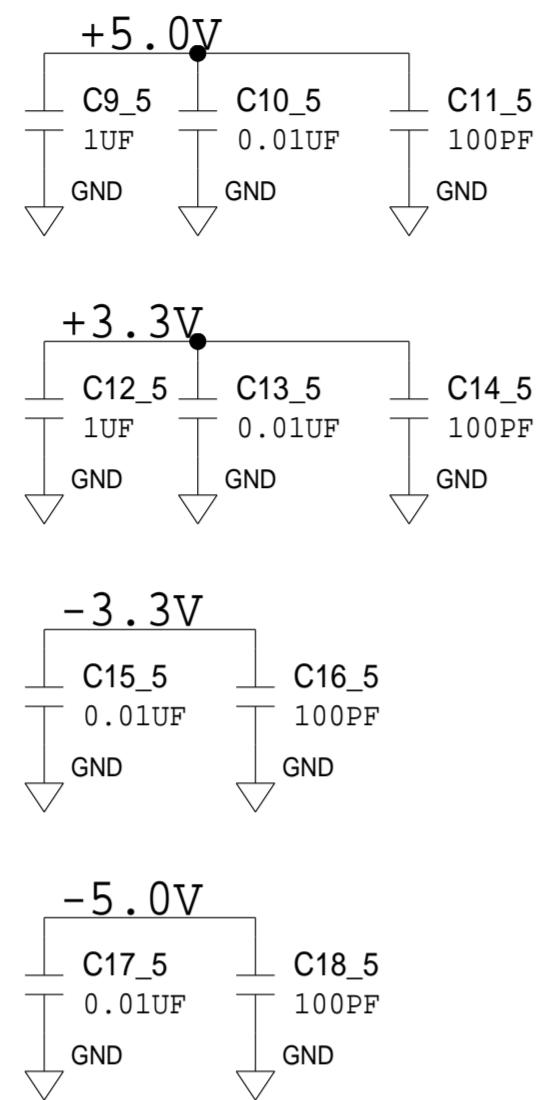
REVISIONS			
REV	DESCRIPTION	DATE	APPROVED

	<b>SCHEMATIC</b>		
	HW TYPE : Customer Evaluation		
	Product(s): ADAR1000 : ADTR1107		
	DESIGN VIEW <DESIGN_VIEW>	DRAWING NO. 02_059522	REV B
PTD ENGINEER <PTD_ENGINEER>	SIZE D	SCALE 1:1	SHEET 7 OF 19

# PAGE IO



## DECOUPLING

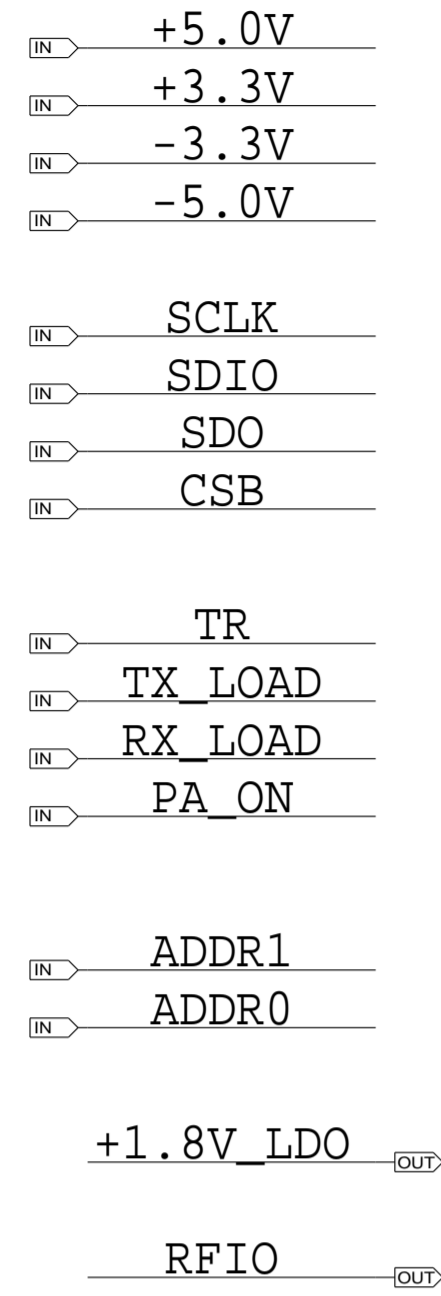


REVISIONS			
REV	DESCRIPTION	DATE	APPROVED

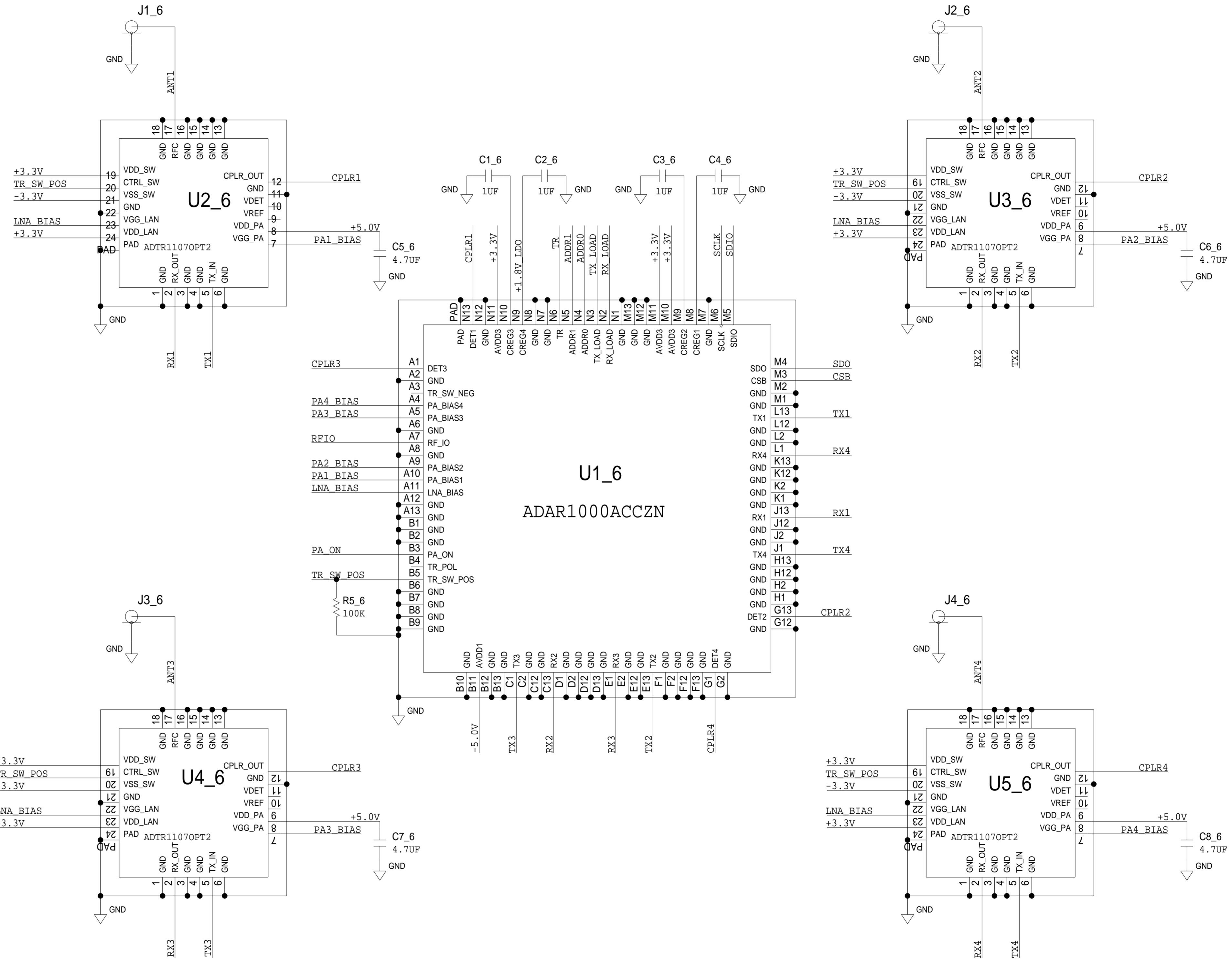
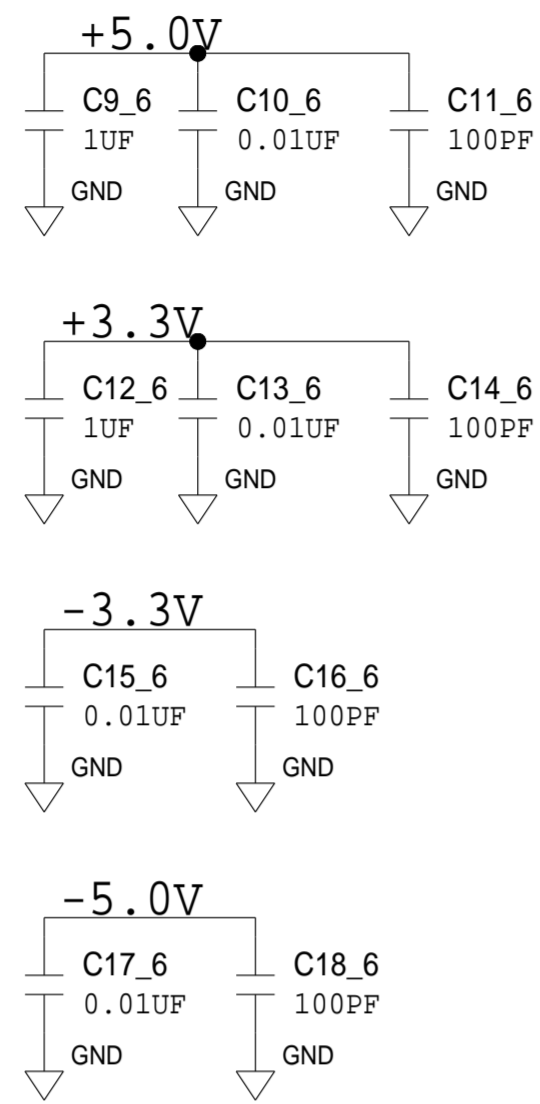
	<b>SCHEMATIC</b>		
	HW TYPE : Customer Evaluation		
	Product(s) : ADAR1000 : ADTR1107		
	DESIGN VIEW <DESIGN_VIEW>	DRAWING NO. 02_059522	REV B
PTD ENGINEER <PTD_ENGINEER>	SIZE D	SCALE 1:1	
		SHEET 8 OF 19	



# PAGE IO



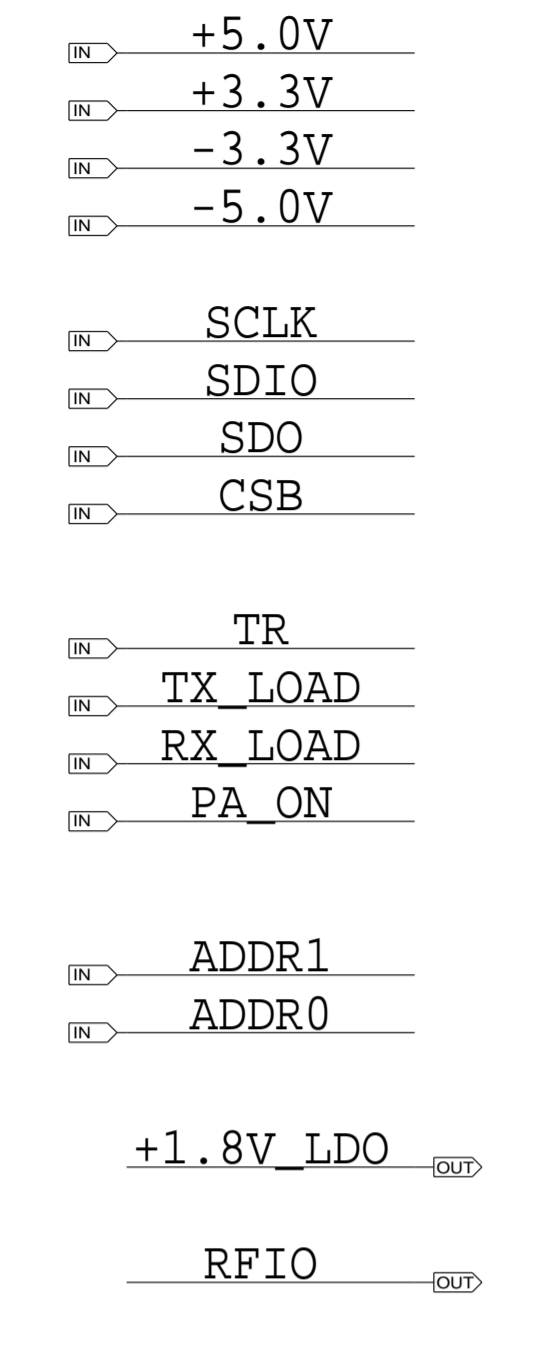
## DECOUPLING



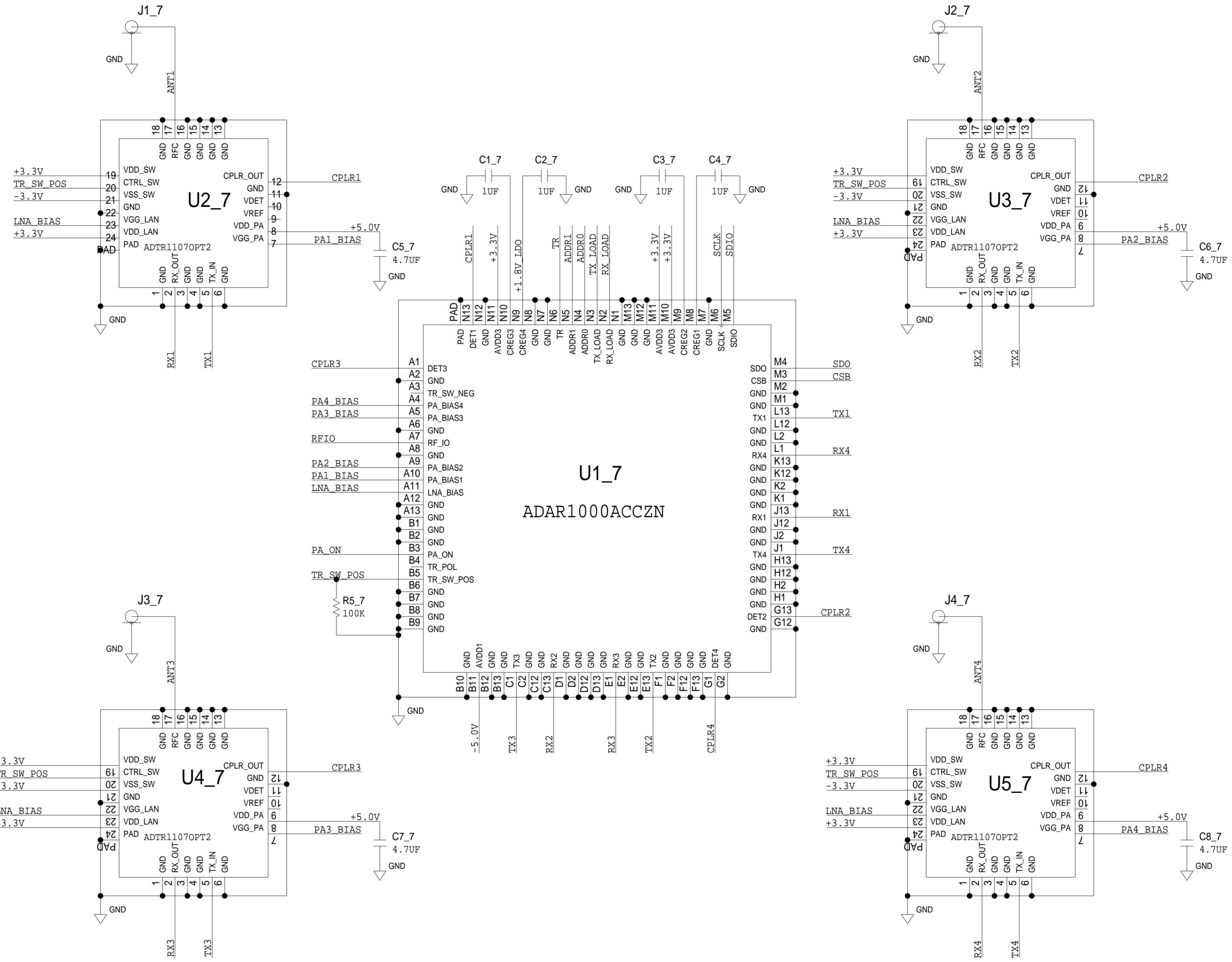
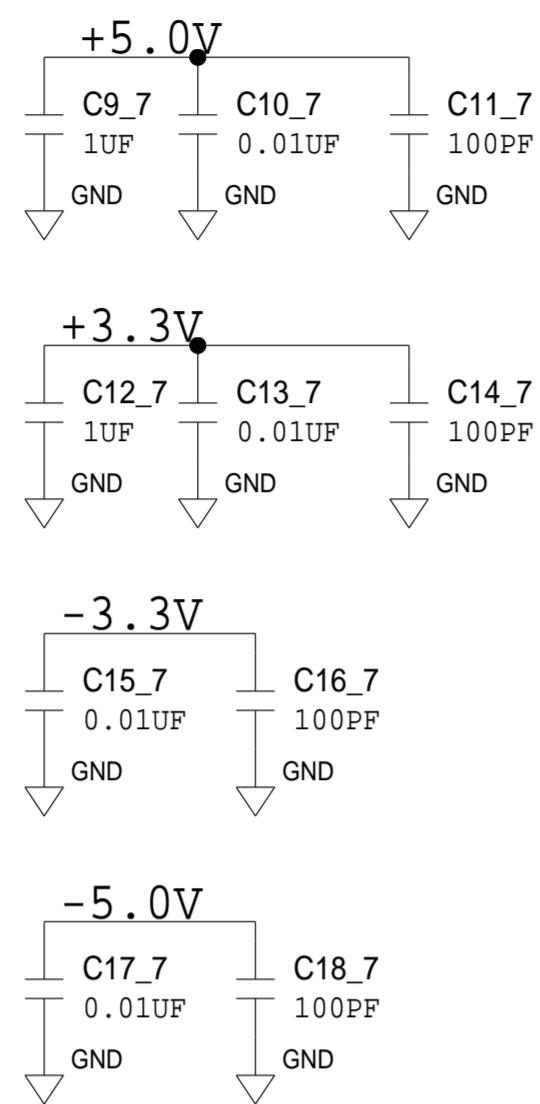
REVISIONS			
REV	DESCRIPTION	DATE	APPROVED

	<b>SCHEMATIC</b>		
	HW TYPE : Customer Evaluation		
	Product(s) : ADAR1000 : ADTR1107		
	DESIGN VIEW <DESIGN_VIEW>	DRAWING NO. 02_059522	REV B
PTD ENGINEER <PTD_ENGINEER>	SIZE D	SCALE 1:1	SHEET 9 OF 19

# PAGE IO



## DECOUPLING

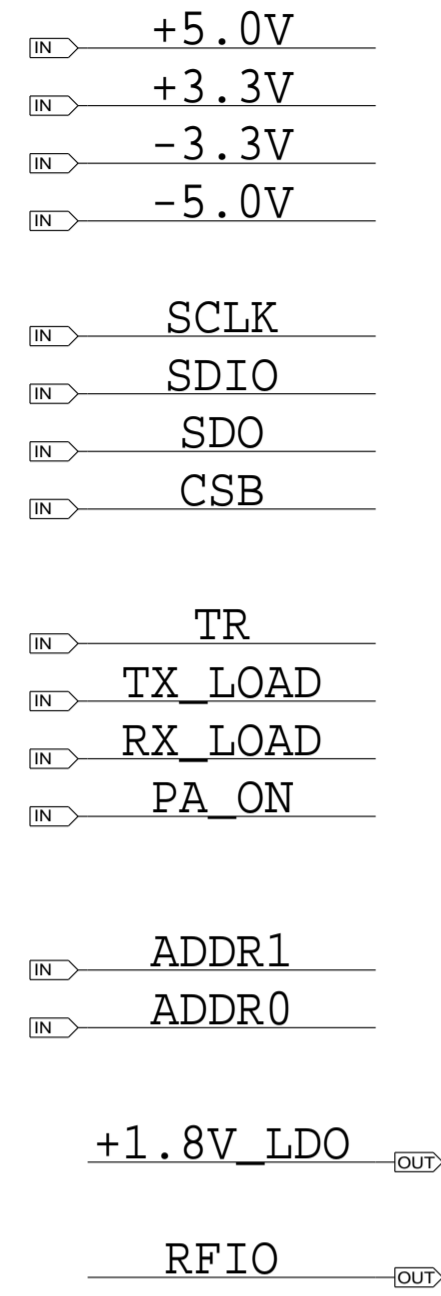


REVISIONS			
REV	DESCRIPTION	DATE	APPROVED

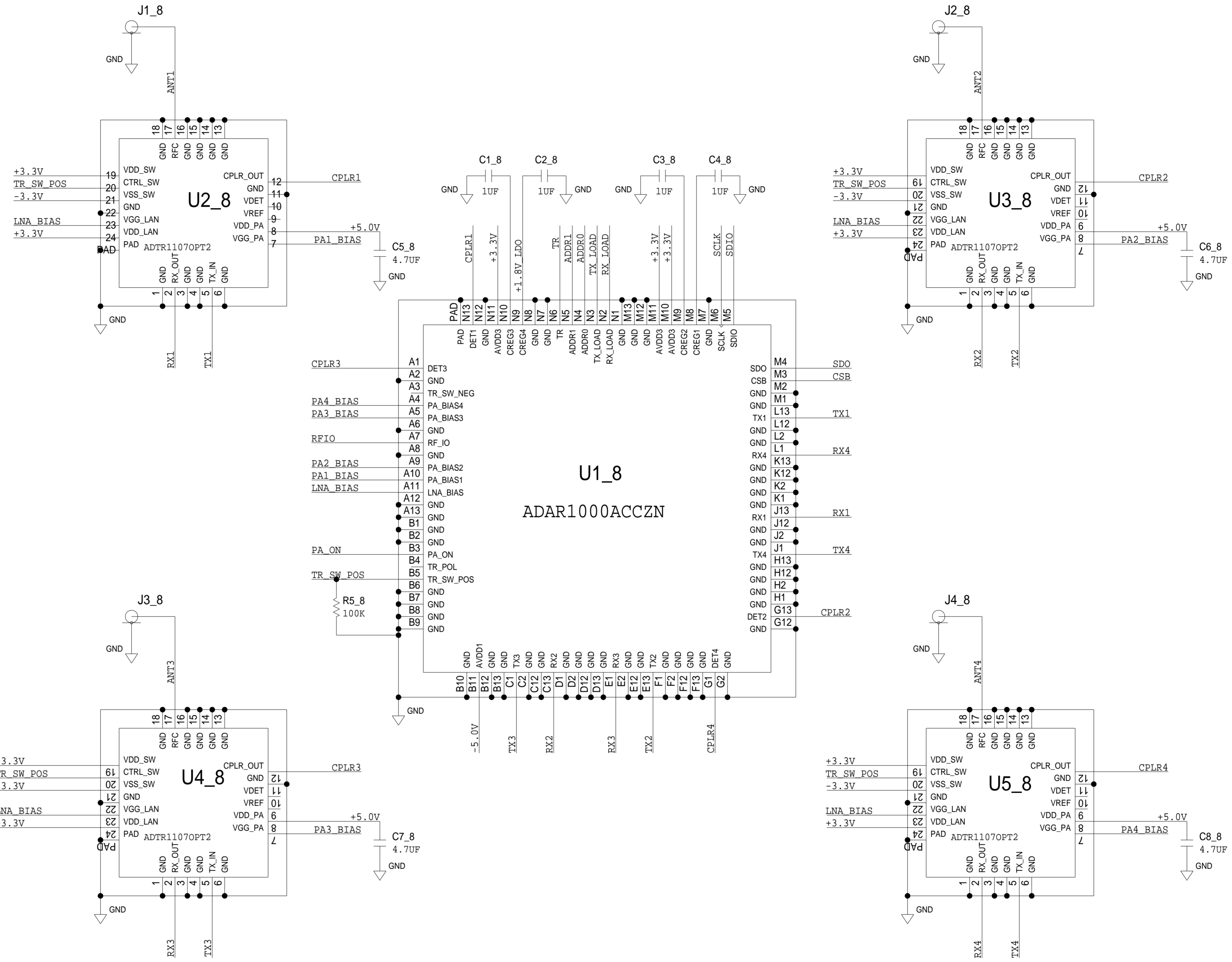
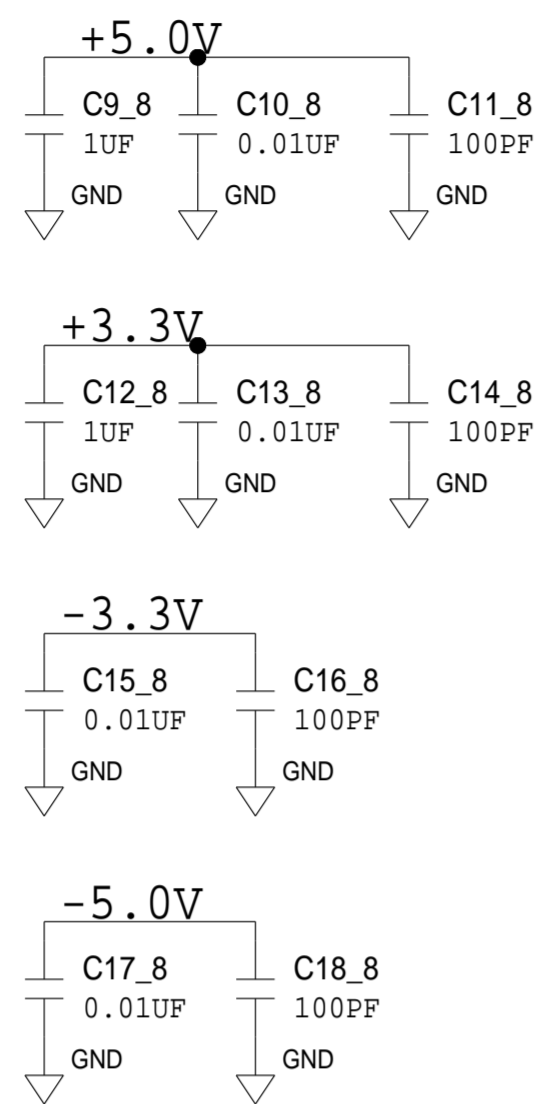
  

<b>SCHEMATIC</b>			
HW TYPE : Customer Evaluation			
Product(s) : ADAR1000 : ADTR1107			
DESIGN VIEW <DESIGN_VIEW>	DRAWING NO. 02_059522	REV B	
PTD ENGINEER <PTD_ENGINEER>	SIZE D	SCALE 1:1	SHEET 10 OF 19

# PAGE IO



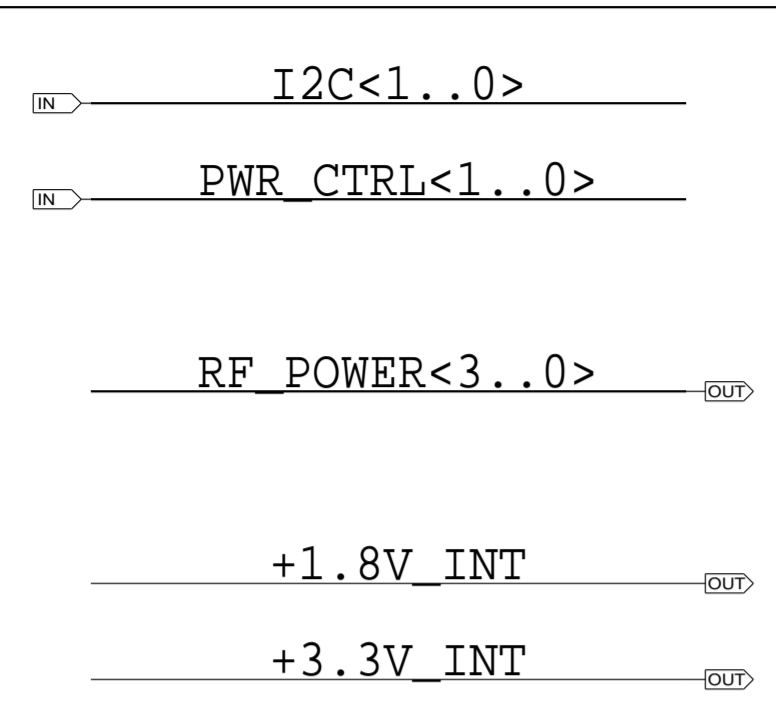
## DECOUPLING



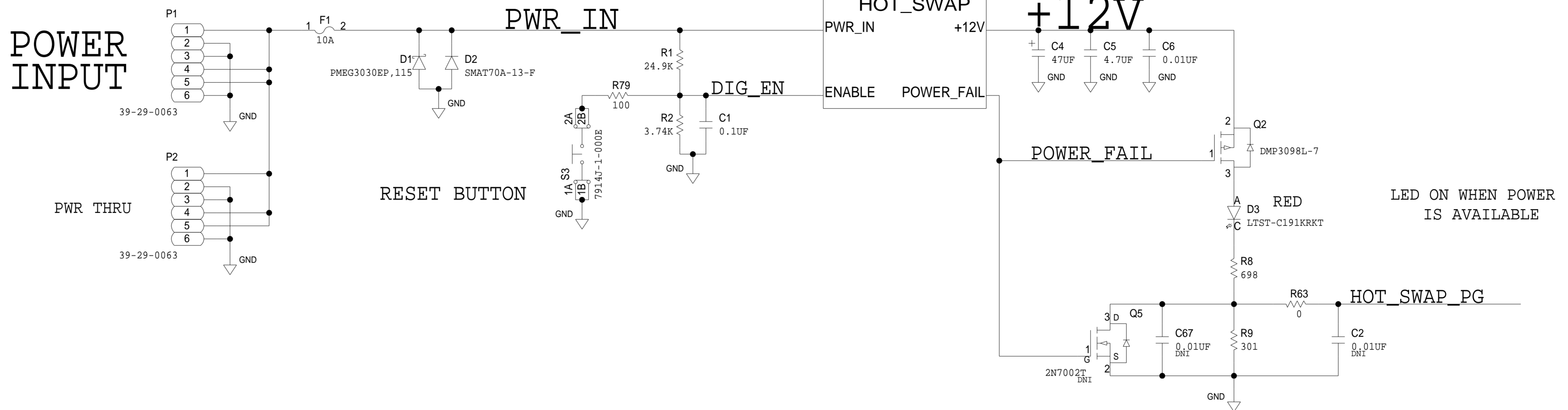
REVISIONS			
REV	DESCRIPTION	DATE	APPROVED

	<b>SCHEMATIC</b>		
	HW TYPE : Customer Evaluation Product(s): ADAR1000 : ADTR1107		
DESIGN VIEW <DESIGN_VIEW>	DRAWING NO. 02_059522	REV B	
PTD ENGINEER <PTD_ENGINEER>	SIZE D	SCALE 1:1	SHEET 11 OF 19

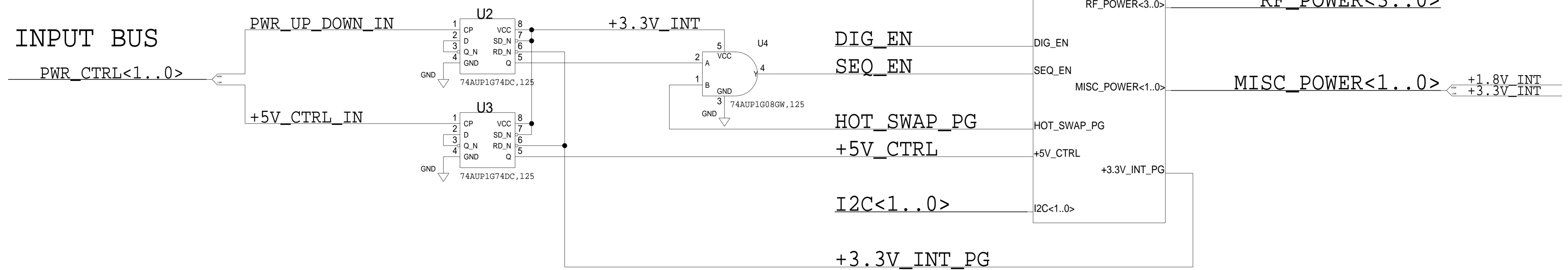
# PAGE IO



USE WITH SL POWER ELECTRONICS  
TE240A1251F01/ME240A1251N01



# POWER CONTROL

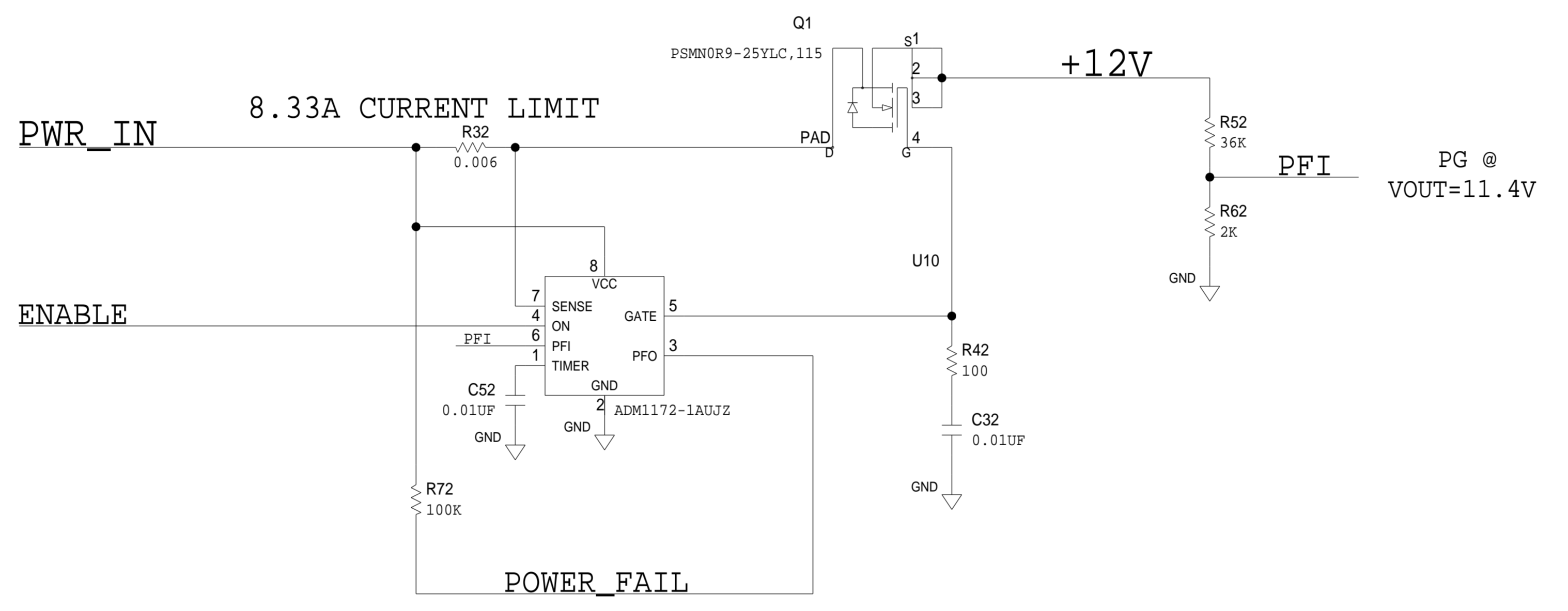
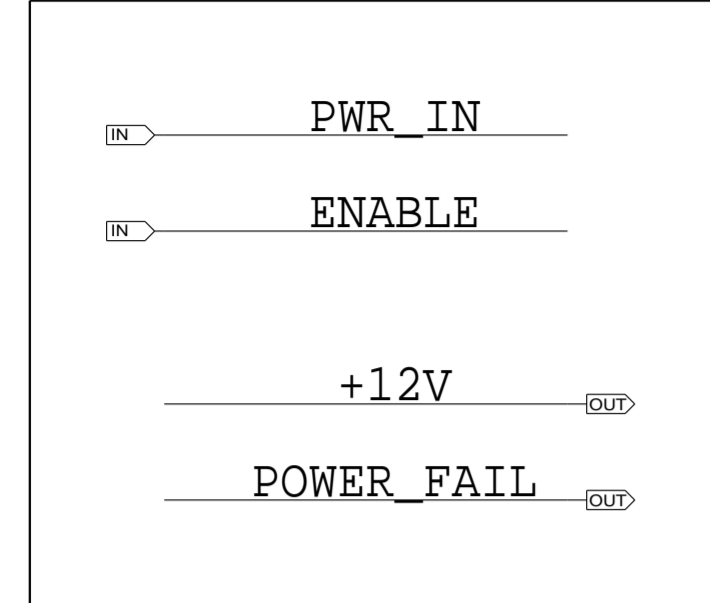


REVISIONS			
REV	DESCRIPTION	DATE	APPROVED

<p>THIS DRAWING IS THE PROPERTY OF ANALOG DEVICES INC. IT IS NOT TO BE REPRODUCED OR COPIED IN WHOLE OR IN PART, OR USED IN FURNISHING INFORMATION TO OTHERS, OR FOR ANY OTHER PURPOSE DETRIMENTAL TO THE INTERESTS OF ANALOG DEVICES. THE EQUIPMENT SHOWN HEREON MAY BE PROTECTED BY PATENTS OWNED OR CONTROLLED BY OWNED ANALOG DEVICES.</p>	<b>SCHEMATIC</b>		
	HW TYPE : Customer Evaluation Product(s): ADAR1000 : ADTR1107		
	DESIGN VIEW <DESIGN_VIEW>	DRAWING NO. 02_059522	REV B
	PTD ENGINEER <PTD_ENGINEER>	SIZE D	SCALE 1:1
		SHEET 12 OF 19	

REVISIONS			
REV	DESCRIPTION	DATE	APPROVED

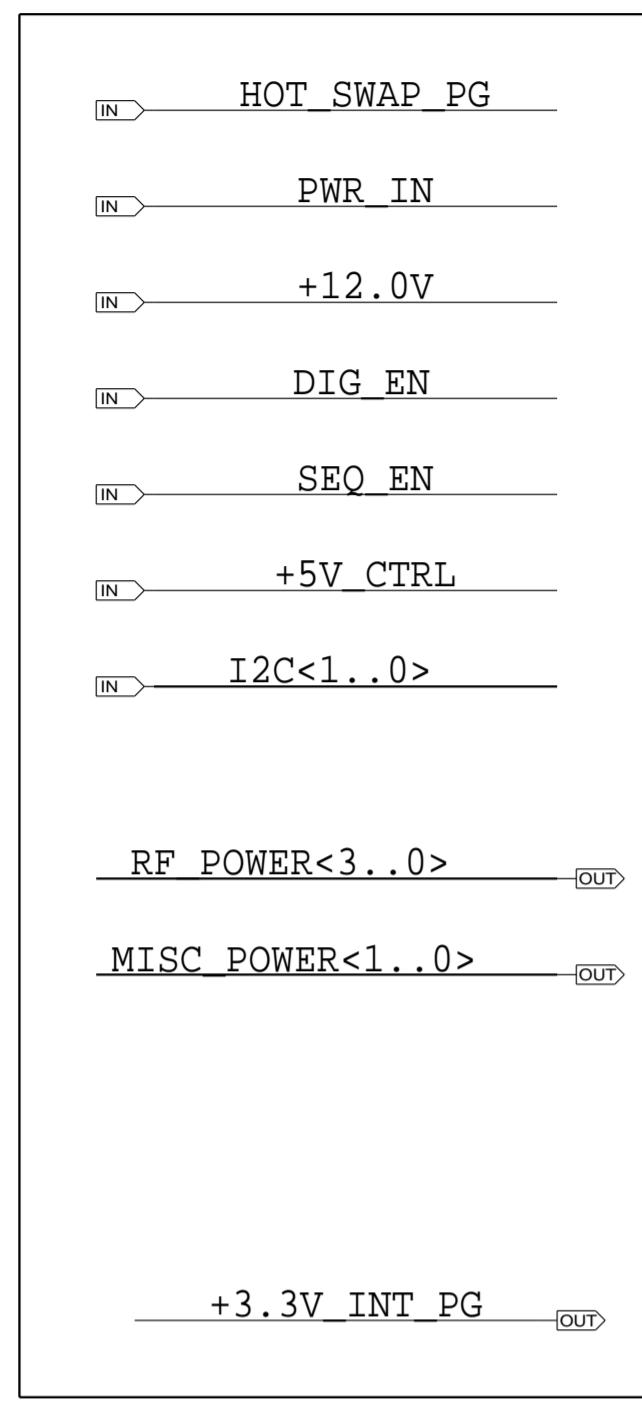
# PAGE IO



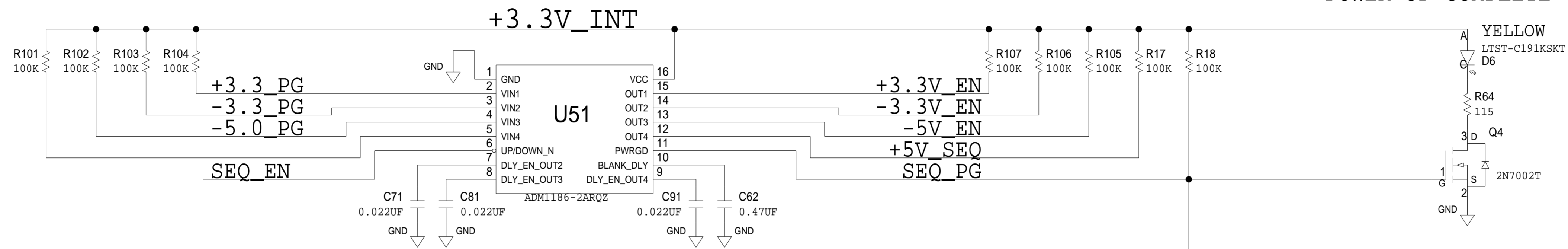
	<b>SCHEMATIC</b>		
	HW TYPE : Customer Evaluation Product(s): ADAR1000 : ADTR1107		
	DESIGN VIEW <DESIGN_VIEW>	DRAWING NO. 02_059522	REV B
	PTD ENGINEER <PTD_ENGINEER>	SIZE D	SCALE 1:1
		SHEET 13 OF 19	

REVISIONS			
REV	DESCRIPTION	DATE	APPROVED

# PAGE 10

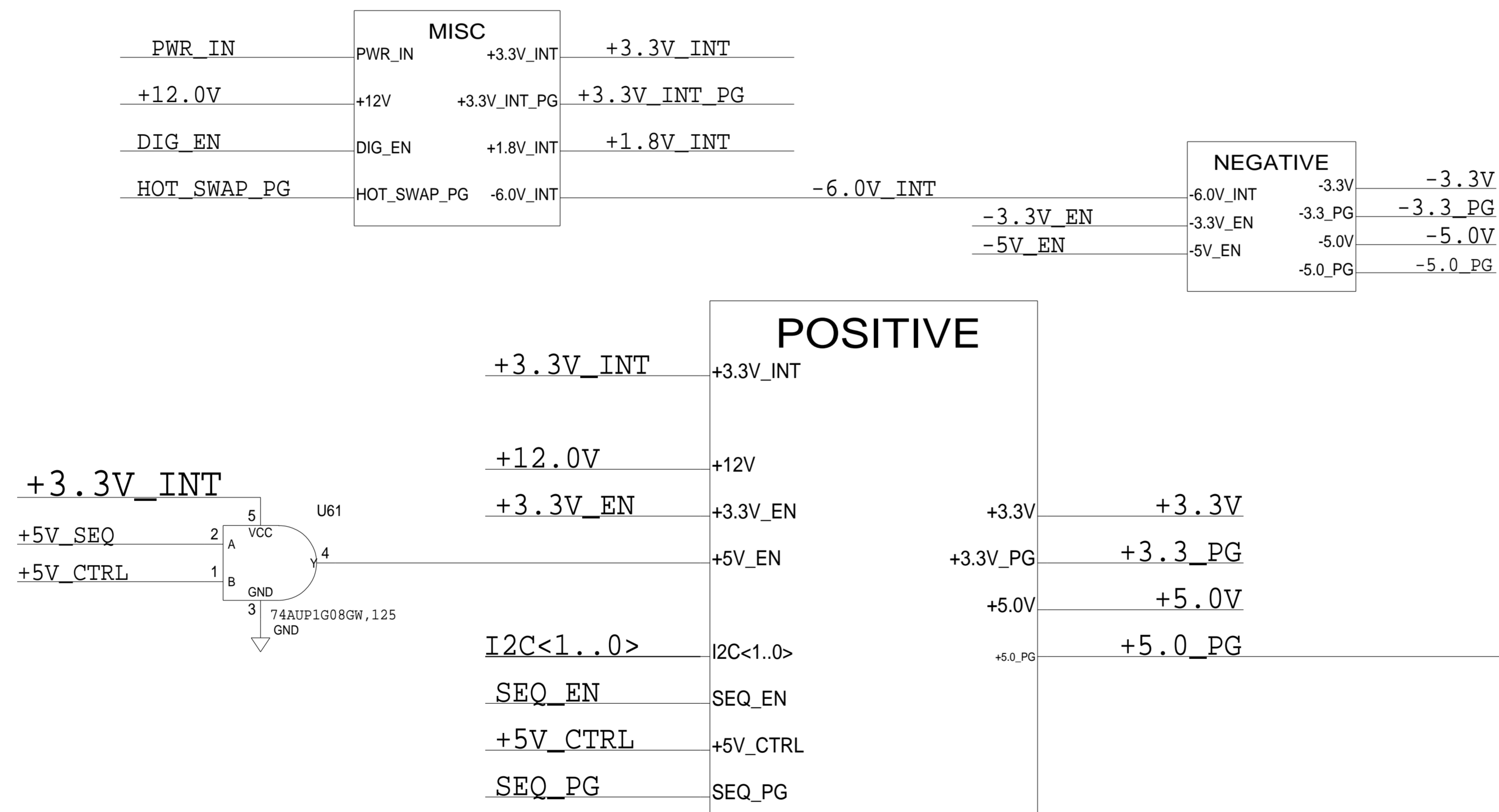


## POWER SEQUENCING/MONITORING

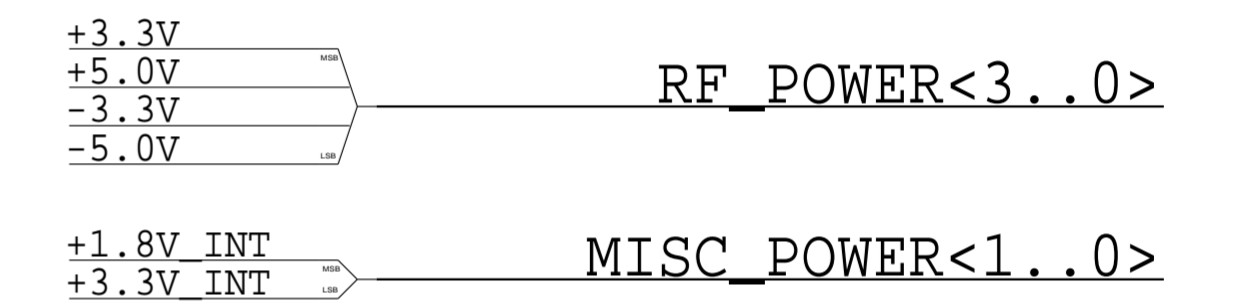


LED ON AFTER INITIAL POWER-UP COMPLETE

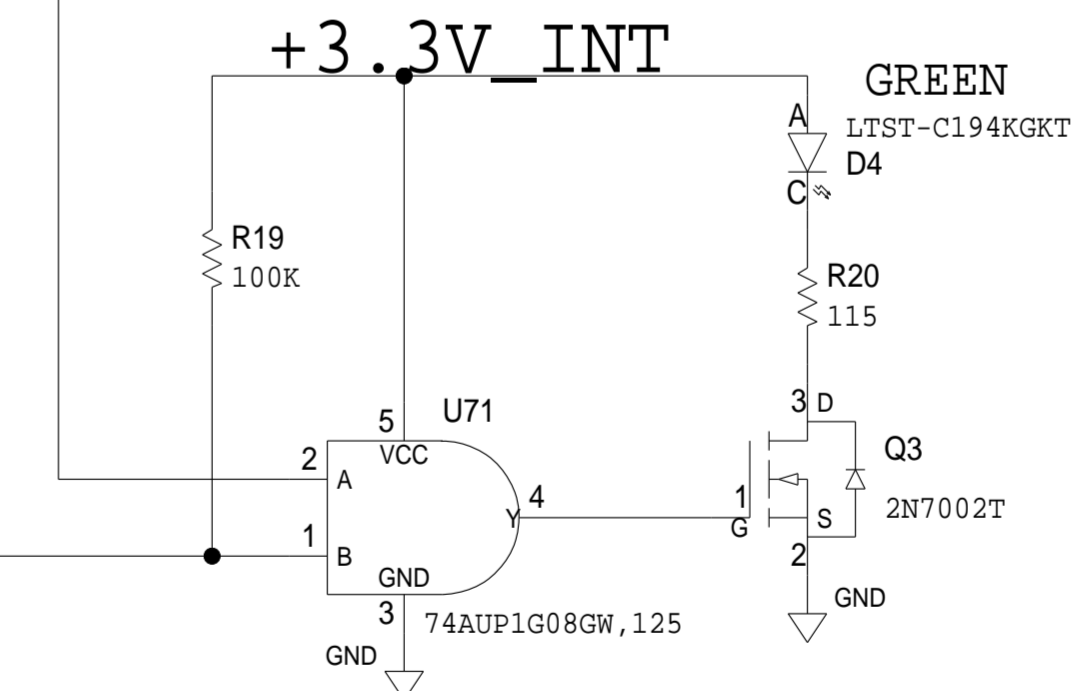
## POWER GENERATION



## OUTPUT BUSES



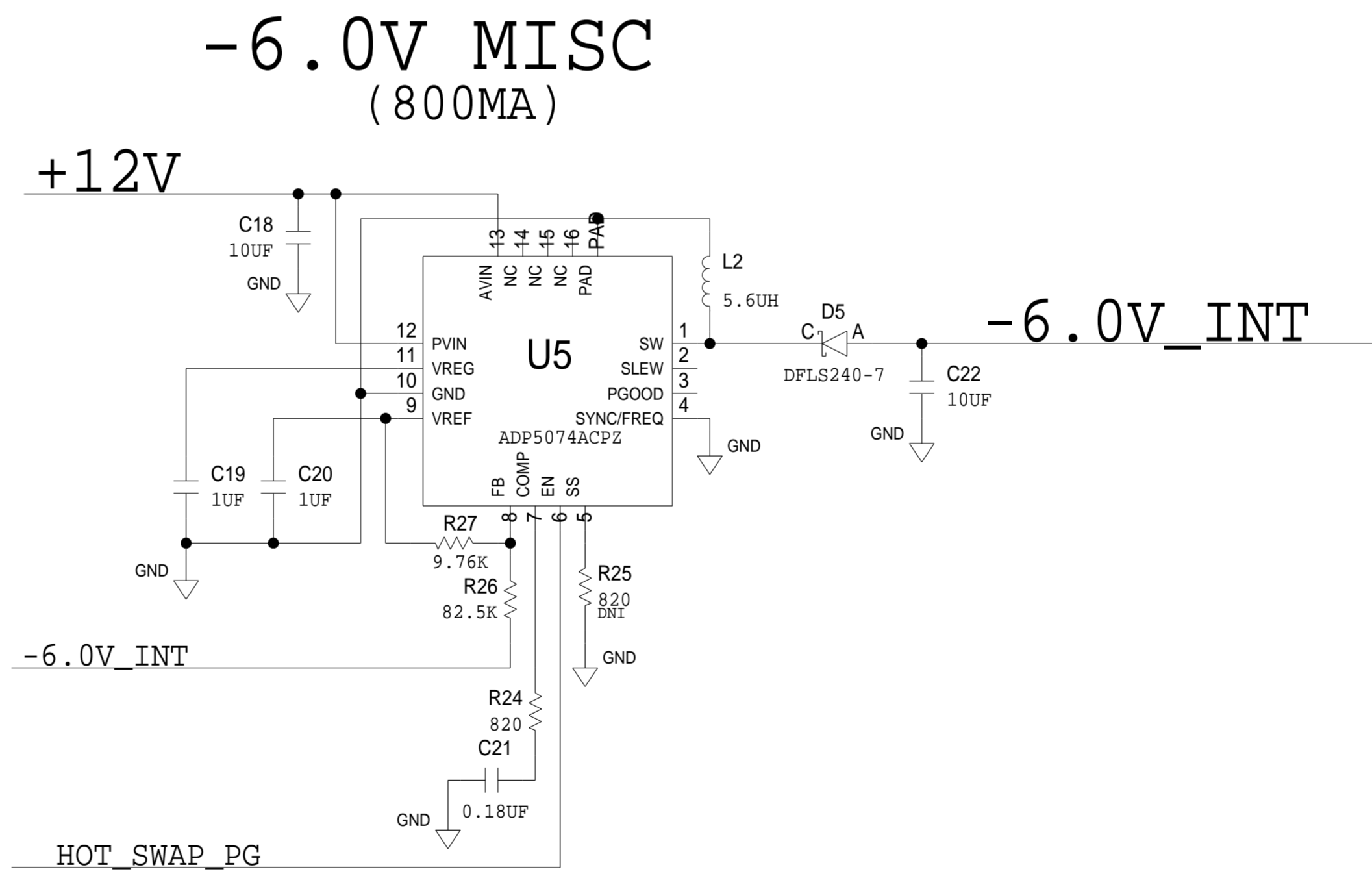
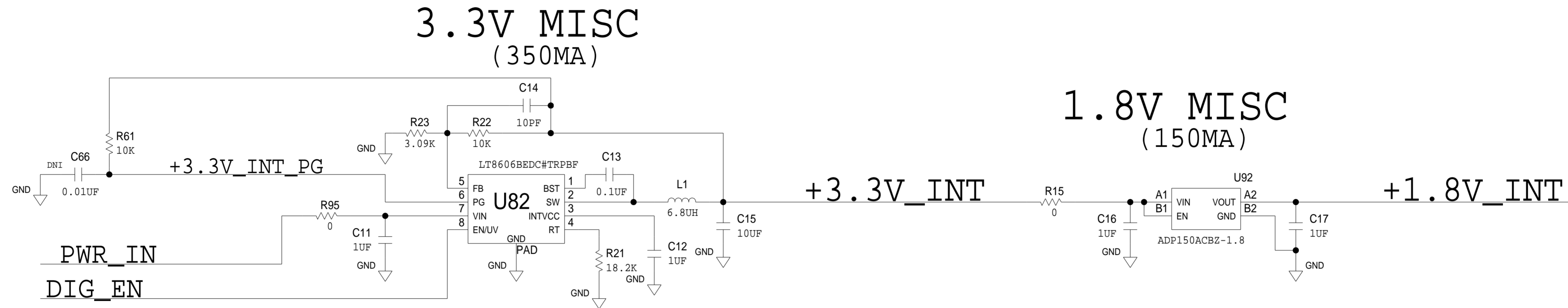
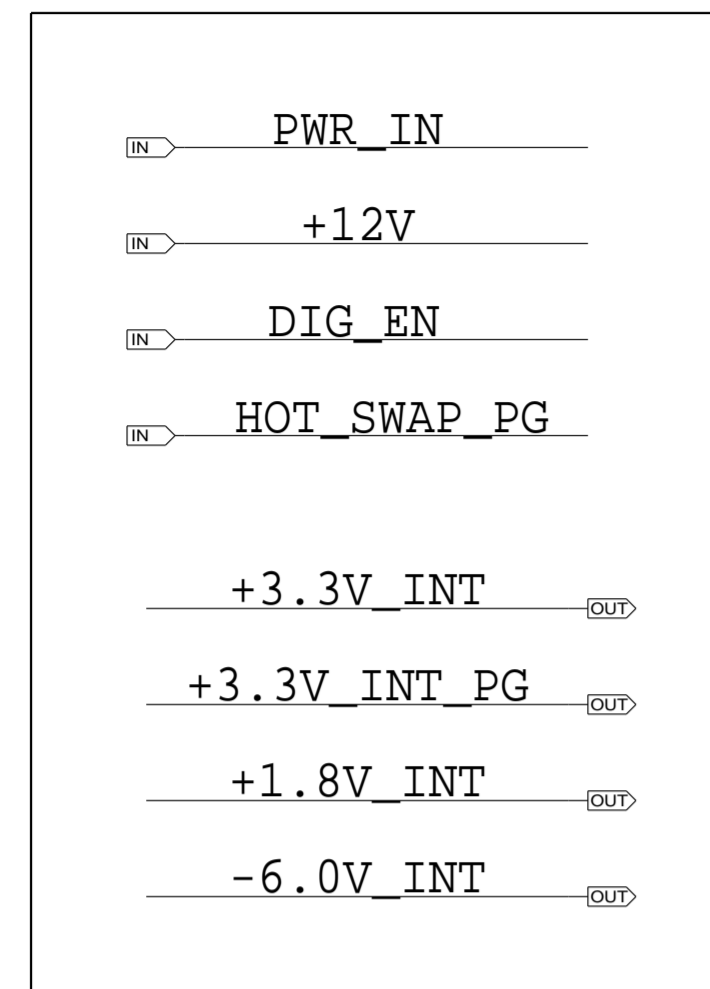
LED ON AFTER ALL RAILS ARE UP



	<b>SCHEMATIC</b>		
	HW TYPE : Customer Evaluation		
	Product(s): ADAR1000 : ADTR1107		
	DESIGN VIEW <DESIGN_VIEW>	DRAWING NO. 02_059522	REV B
PTD ENGINEER <PTD_ENGINEER>	SIZE D	SCALE 1:1	
		SHEET 14 OF 19	

REVISIONS			
REV	DESCRIPTION	DATE	APPROVED

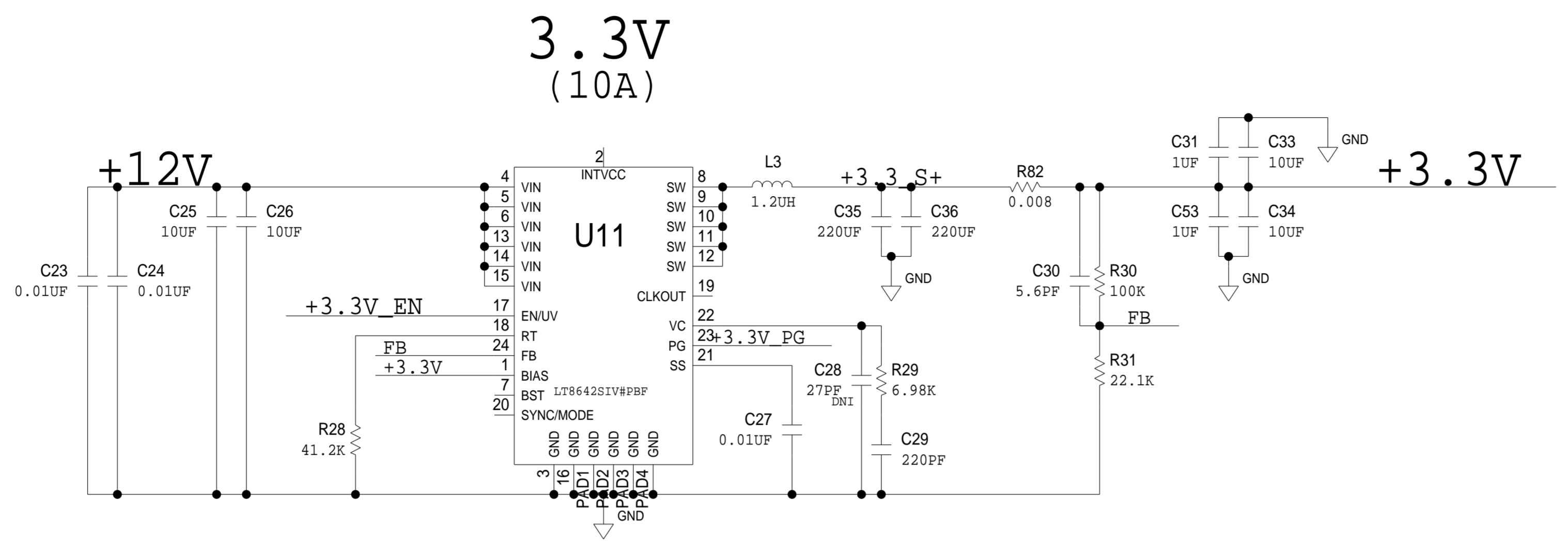
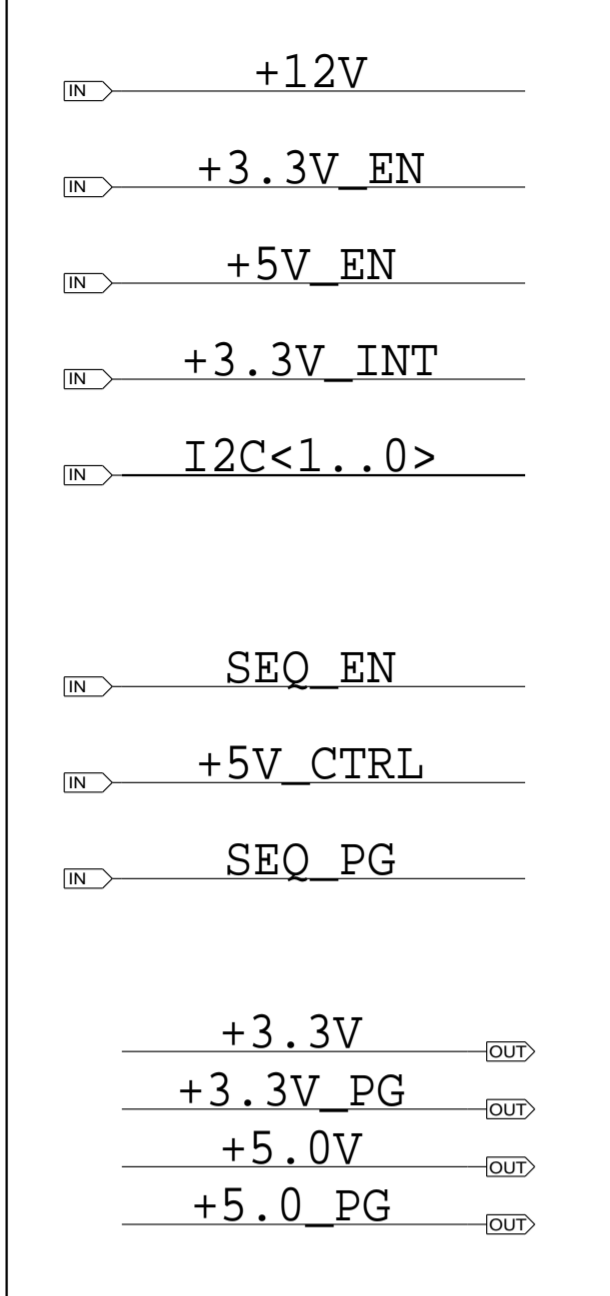
PAGE IO



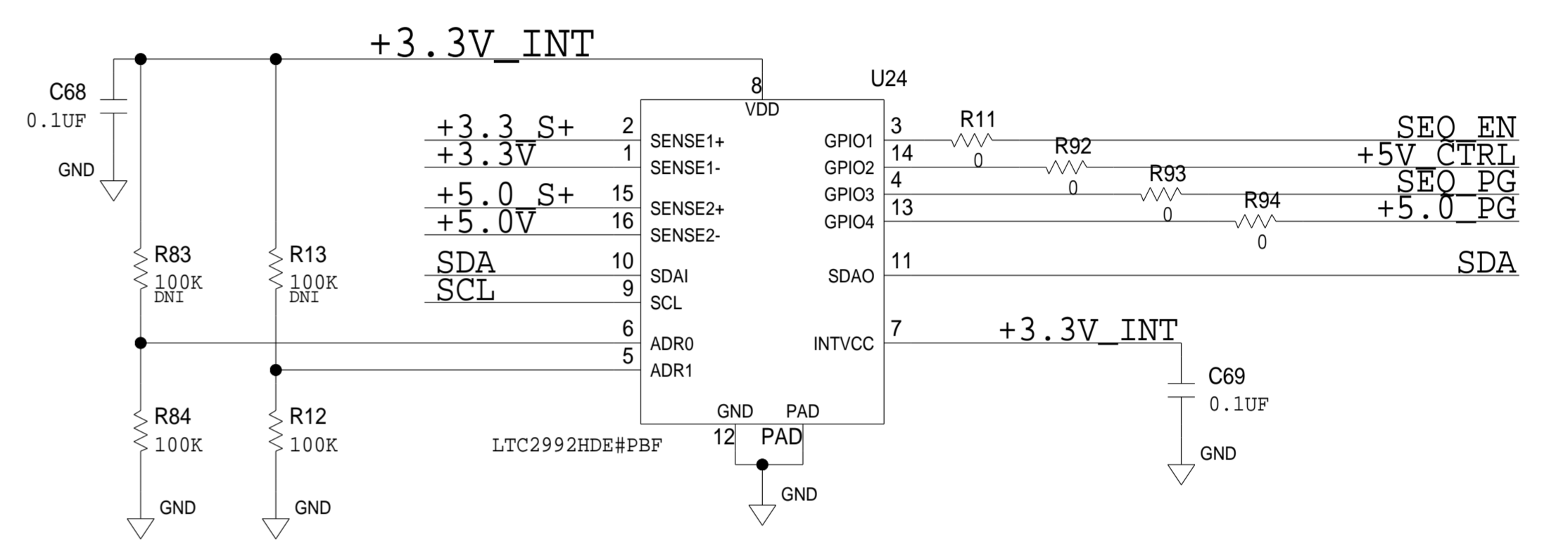
	<b>SCHEMATIC</b>		
	HW TYPE : Customer Evaluation		
	Product(s): ADAR1000 : ADTR1107		
	DESIGN VIEW <DESIGN_VIEW>	DRAWING NO. 02_059522	REV B
PTD ENGINEER <PTD_ENGINEER>	SIZE D	SCALE 1:1	SHEET 15 OF 19

REVISIONS			
REV	DESCRIPTION	DATE	APPROVED

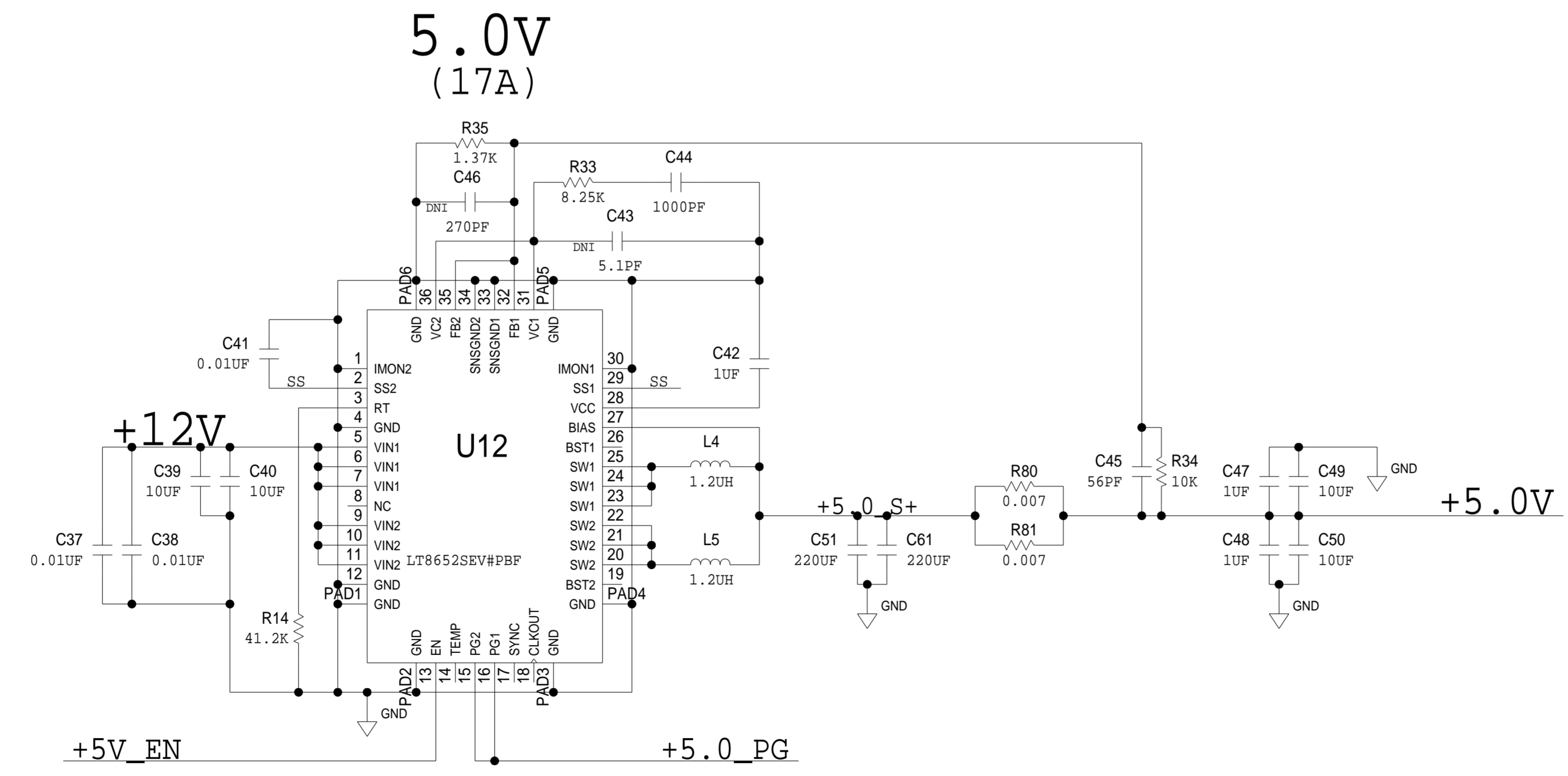
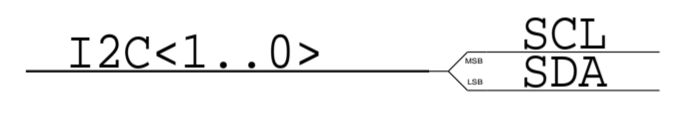
### PAGE IO



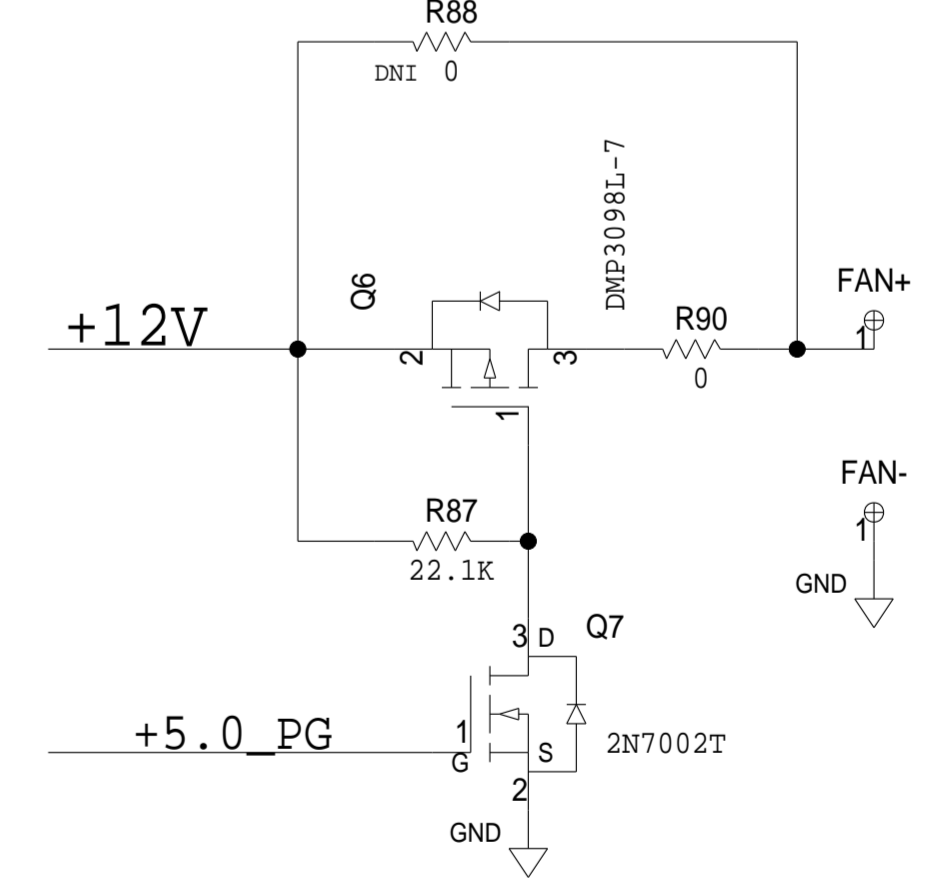
### CURRENT MONITOR/GPIO



### INPUT BUS



### EXTERNAL FAN POWER

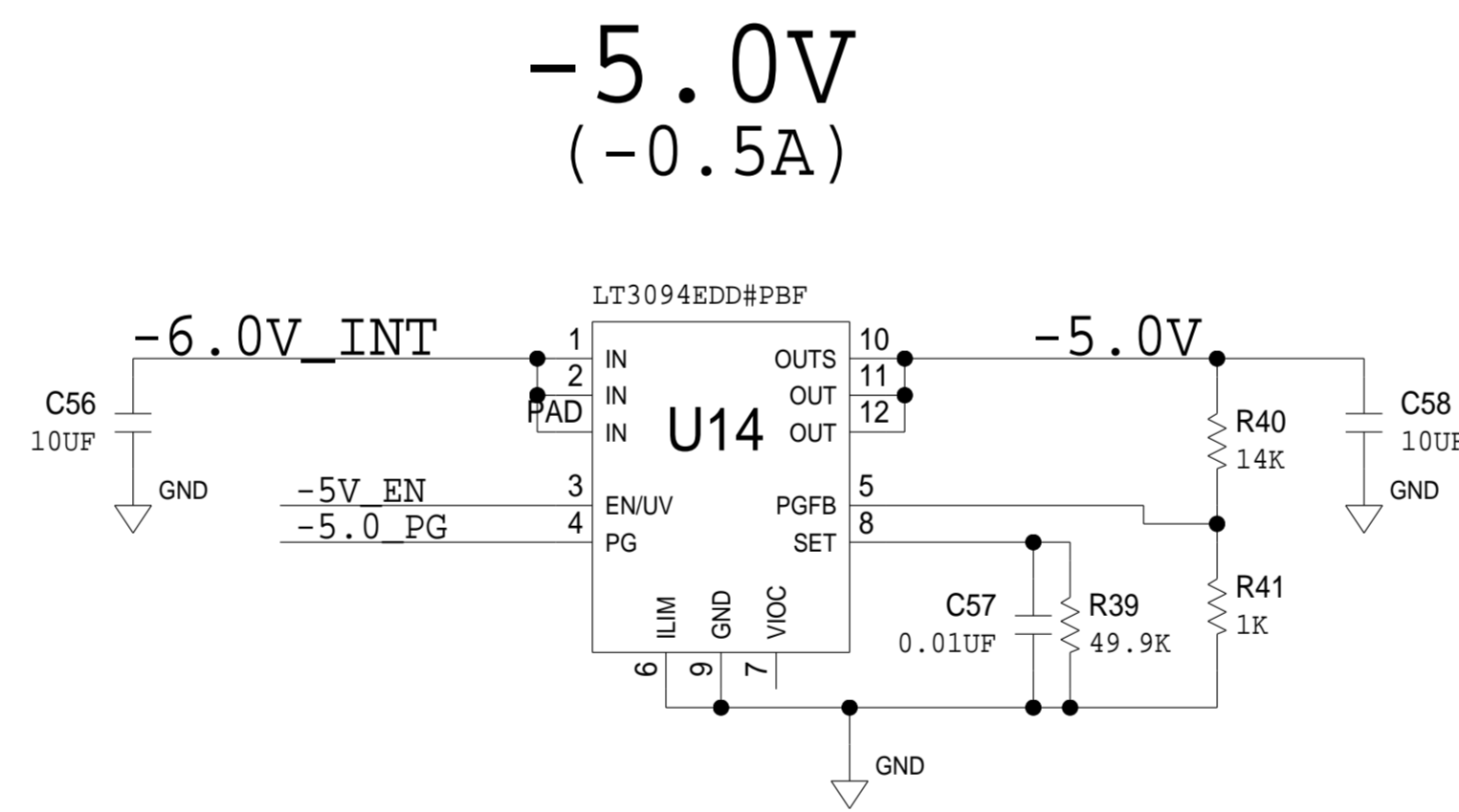
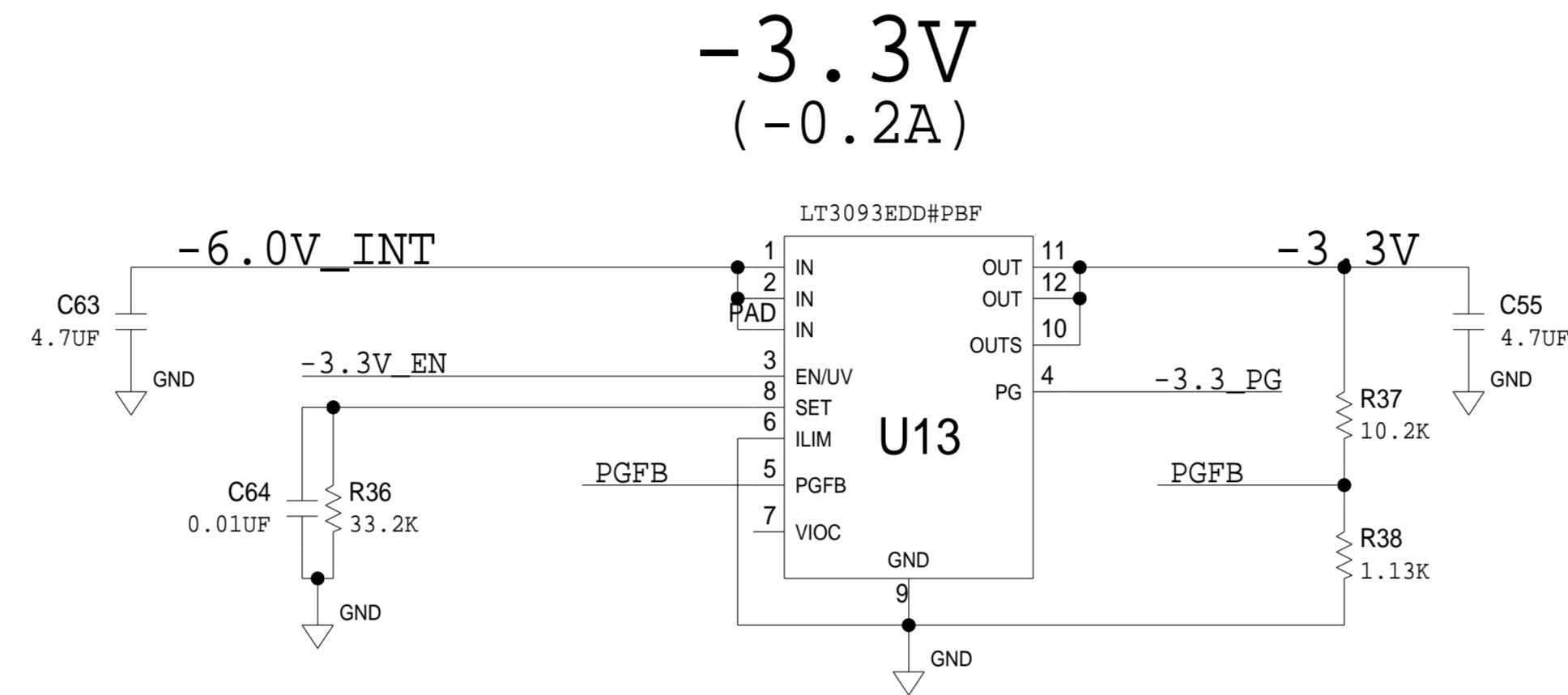
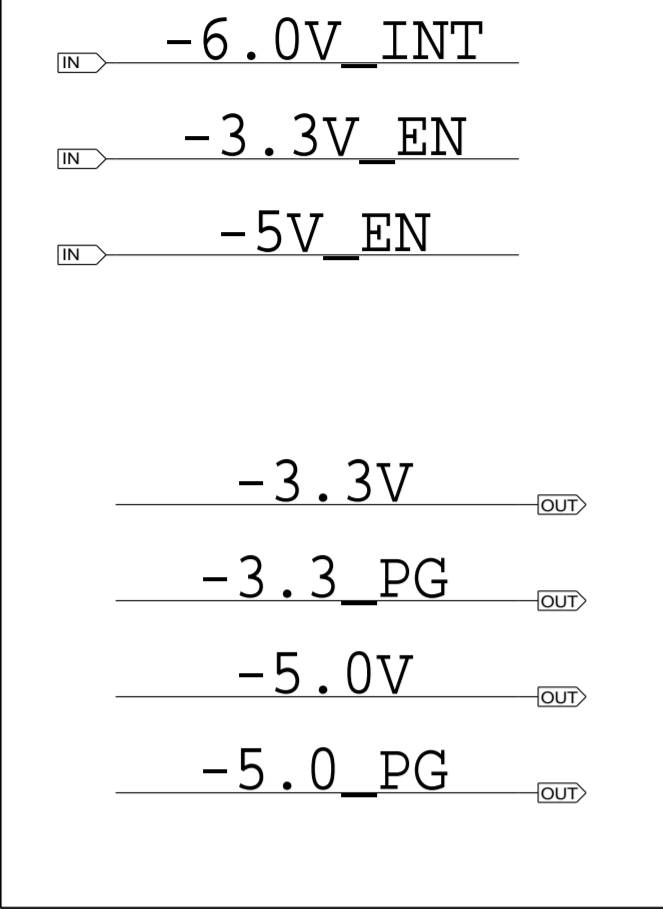


SCHEMATIC			
ANALOG DEVICES		HW TYPE : Customer Evaluation	
Product(s): ADAR1000		Product(s): ADTR1107	
DESIGN VIEW	<DESIGN_VIEW>	DRAWING NO.	02_059522
PTD ENGINEER	<PTD_ENGINEER>	REV	B
SIZE	D	SCALE	1:1
SHEET 16		OF 19	



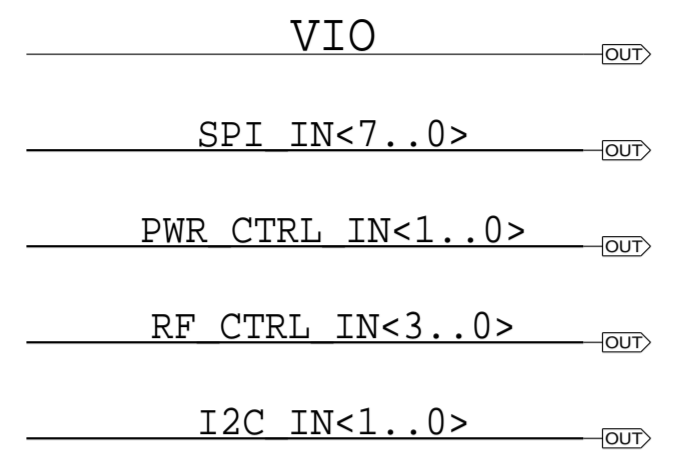
REVISIONS			
REV	DESCRIPTION	DATE	APPROVED

PAGE 10

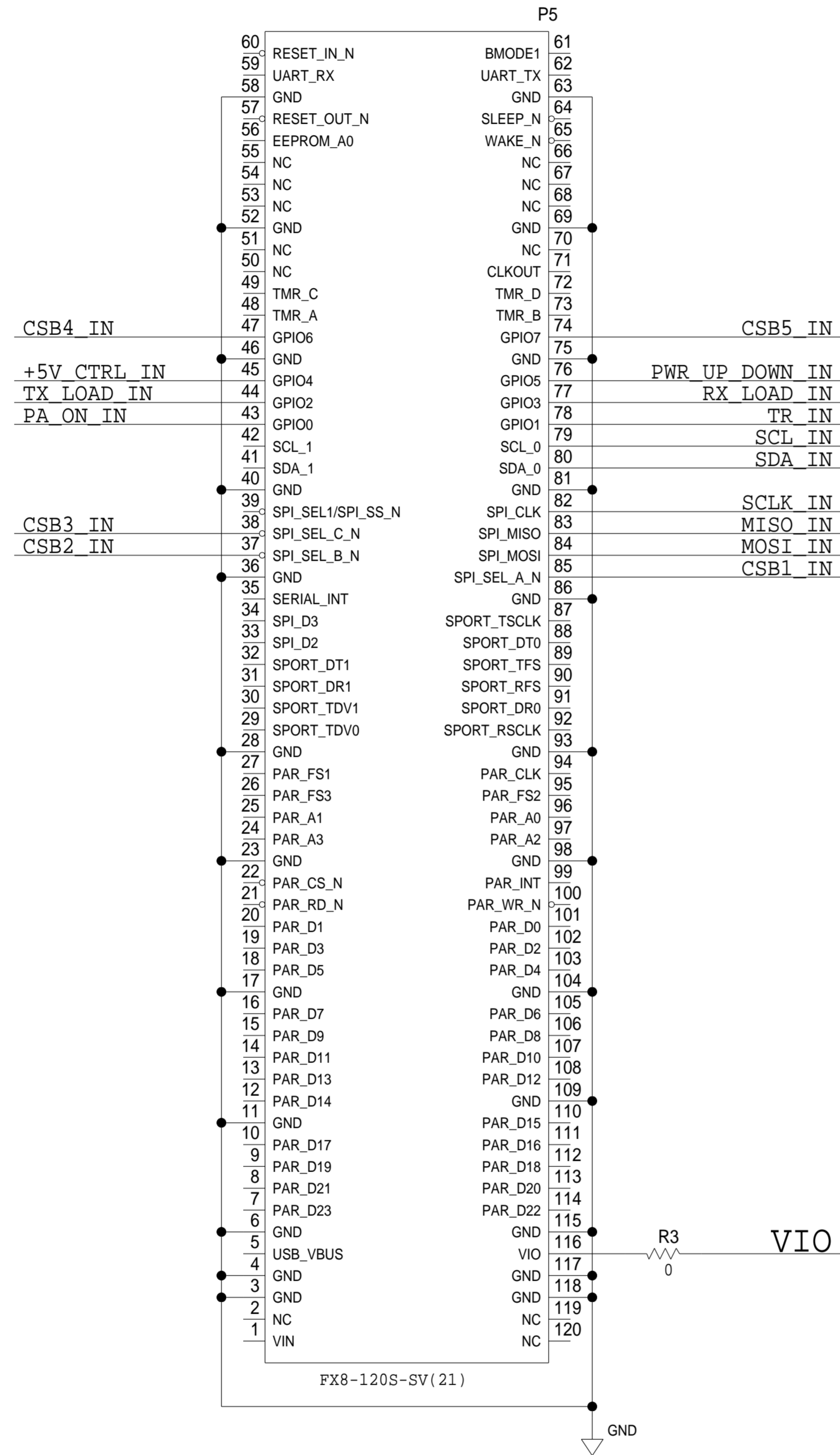


	<b>SCHEMATIC</b>		
	HW TYPE : Customer Evaluation Product(s): ADAR1000 : ADTR1107		
	DESIGN VIEW <DESIGN_VIEW>	DRAWING NO. 02_059522	REV B
	PTD ENGINEER <PTD_ENGINEER>	SIZE D	SCALE 1:1
		SHEET 17 OF 19	

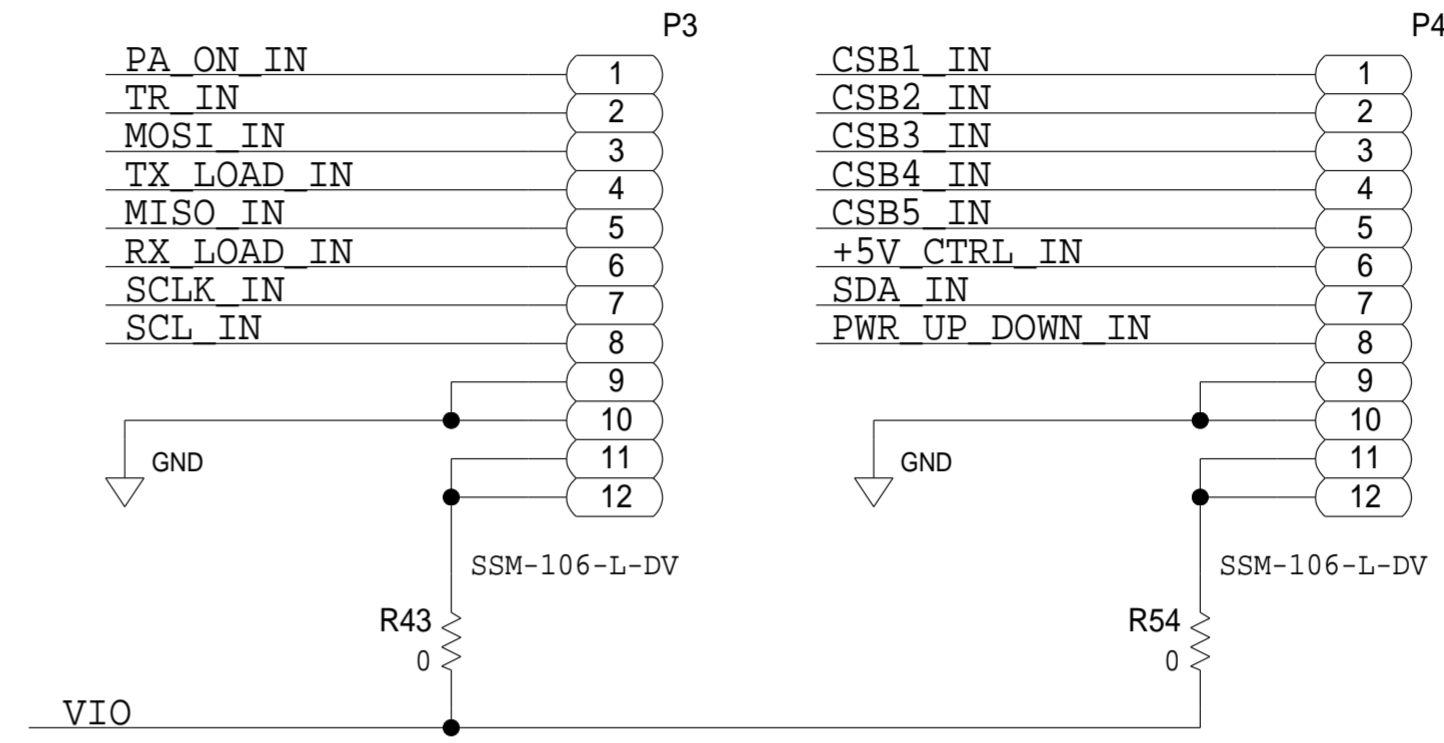
PAGE IO



SDP

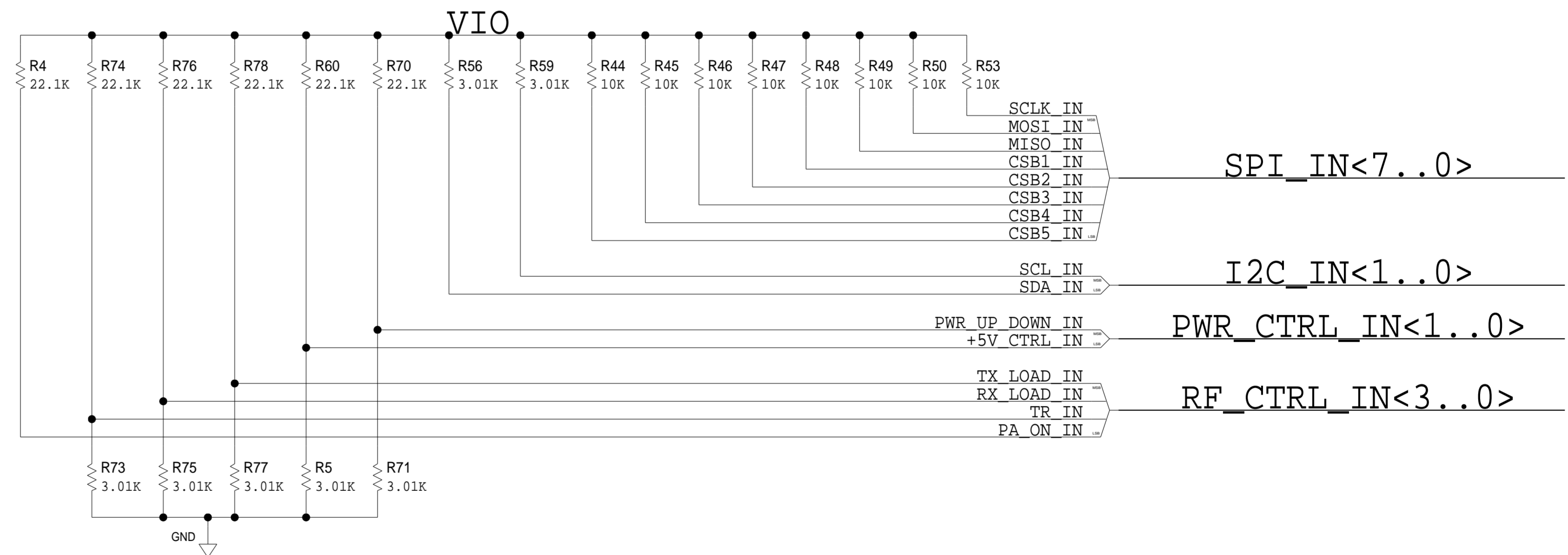


PMOD



CSB 1-4 USED FOR ADAR1000 PARTS  
CSB 5 USED FOR RF DET./ADC COMBO

OUTPUT BUSES AND  
DEFAULT SET RESISTORS



NOTE:

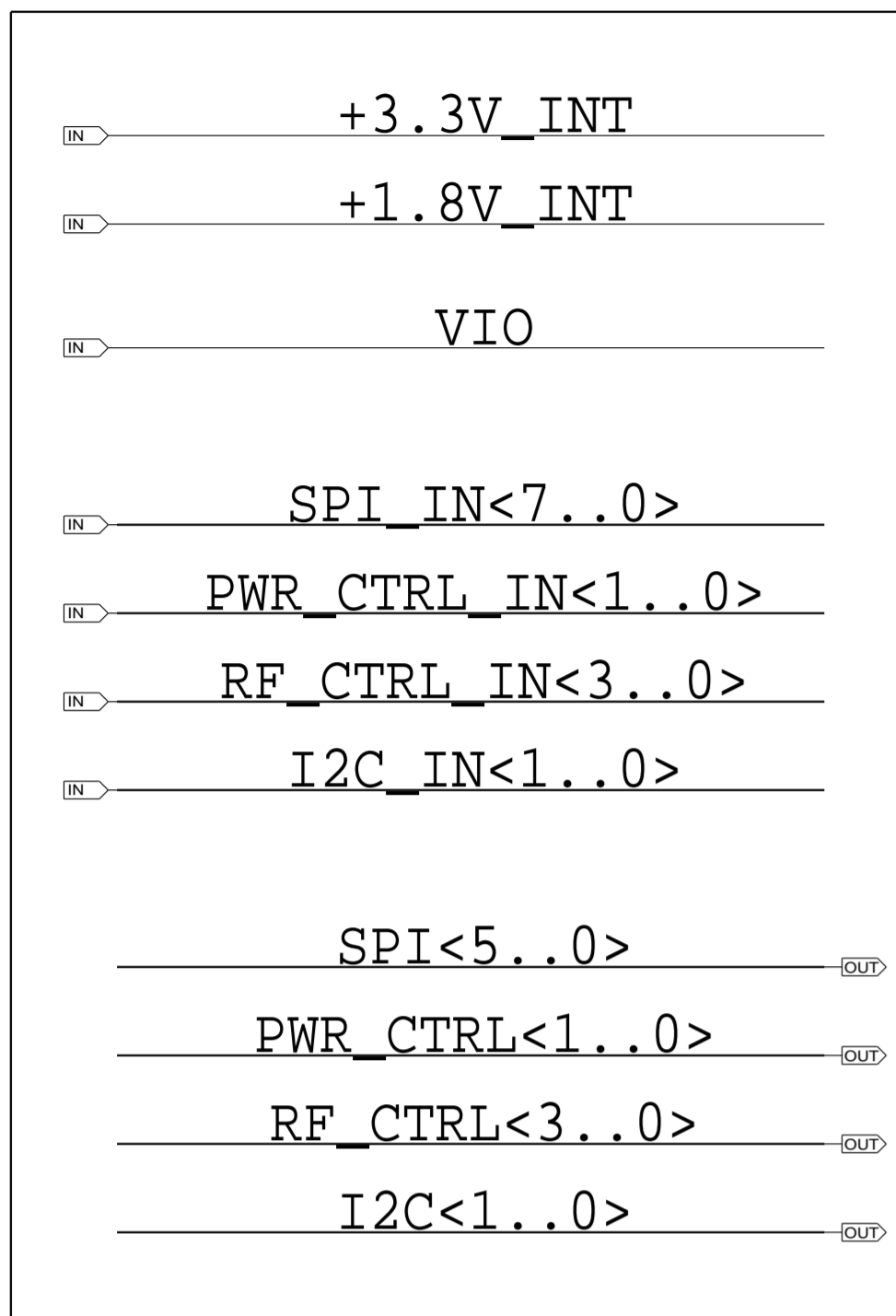
VIO AND INPUT LOGIC LEVEL IS EXPECTED TO BE +3.3V IF USING THESE CONNECTORS

REVISIONS			
REV	DESCRIPTION	DATE	APPROVED

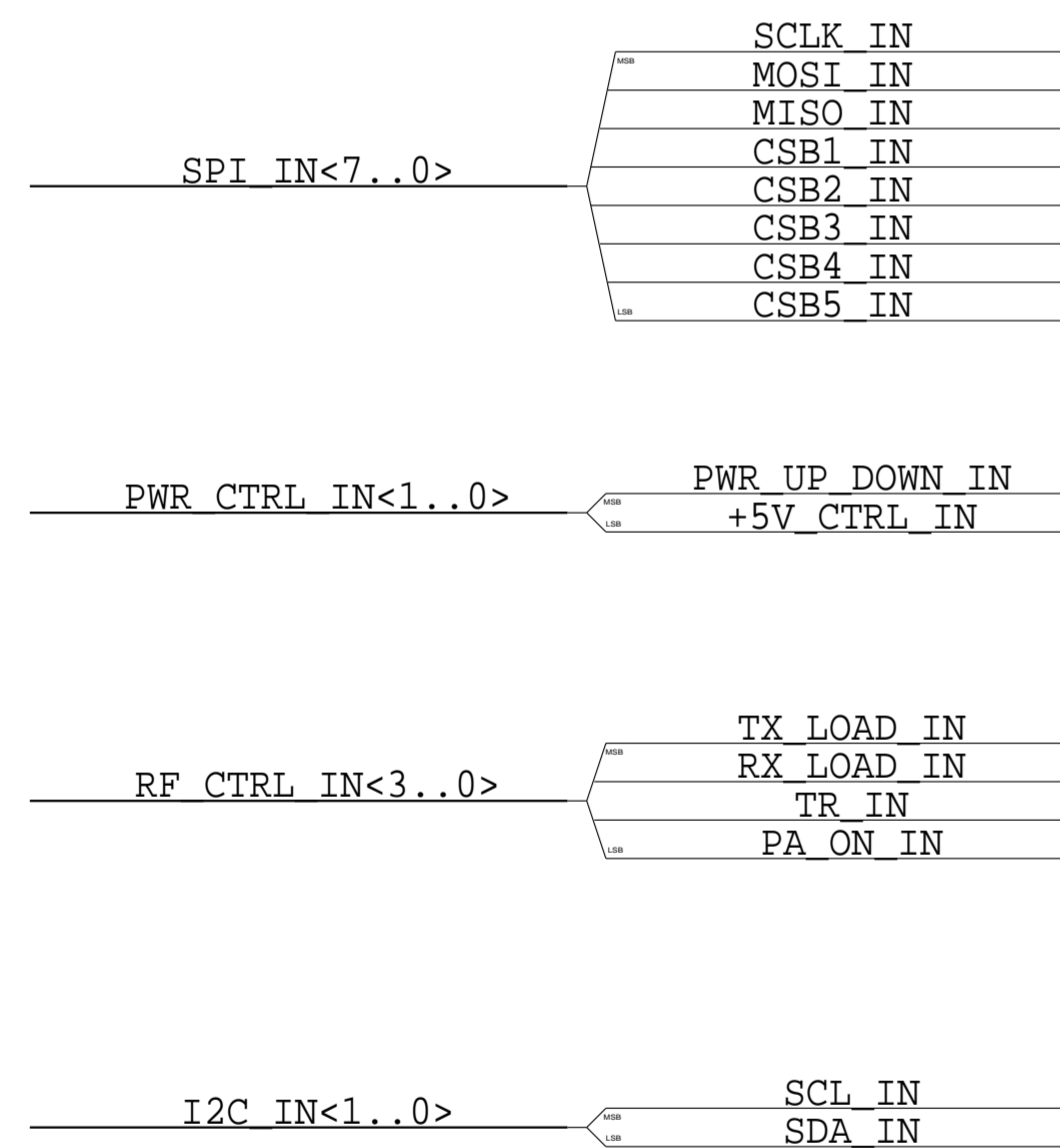
	SCHEMATIC		
	HW TYPE : Customer Evaluation		
	Product(s) : ADAR1000 : ADTR1107		
	DESIGN VIEW <DESIGN_VIEW>	DRAWING NO. 02_059522	REV B
PTD ENGINEER <PTD_ENGINEER>	SIZE D	SCALE 1:1	SHEET 18 OF 19

REVISIONS			
REV	DESCRIPTION	DATE	APPROVED

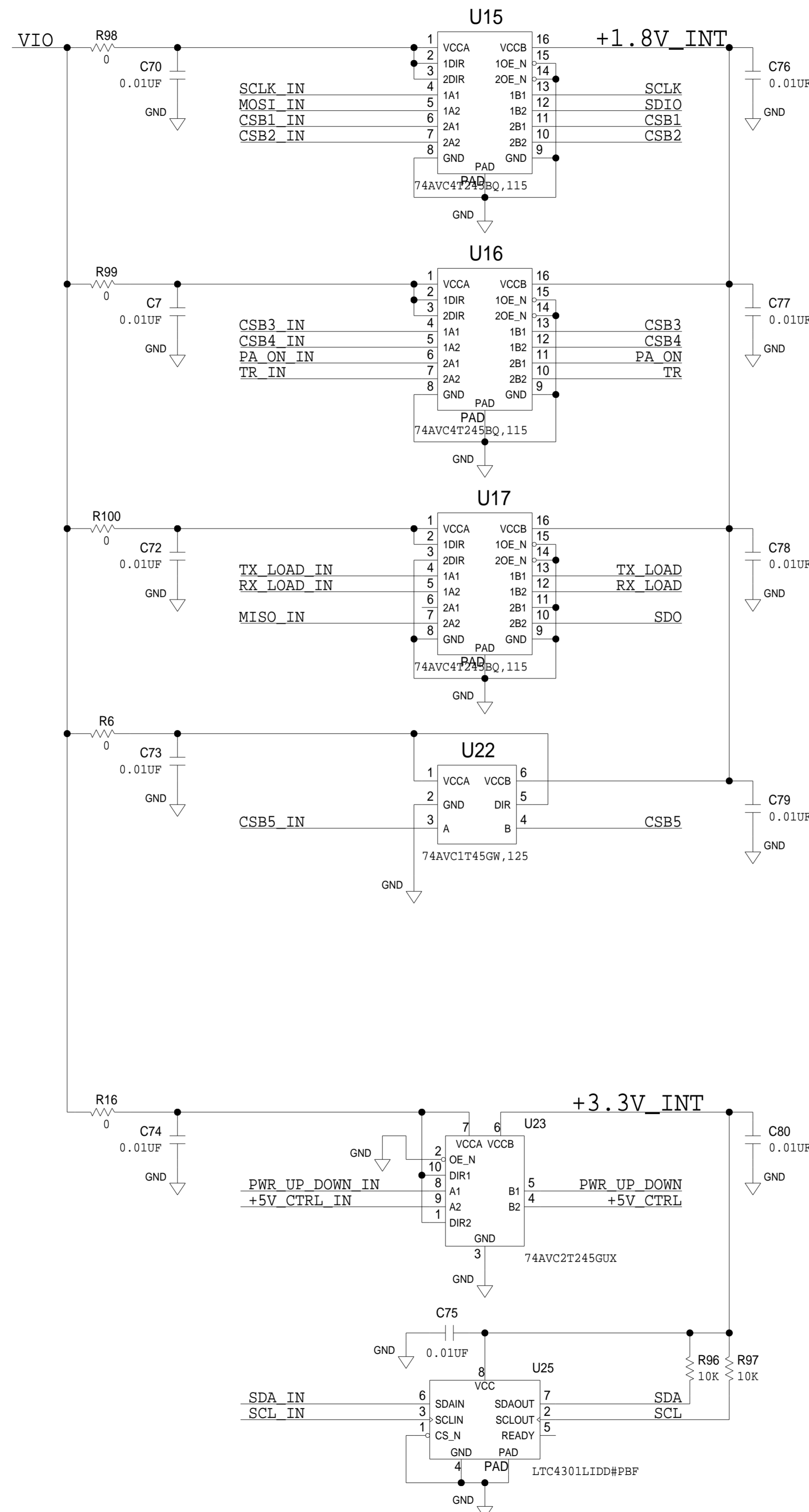
# PAGE IO



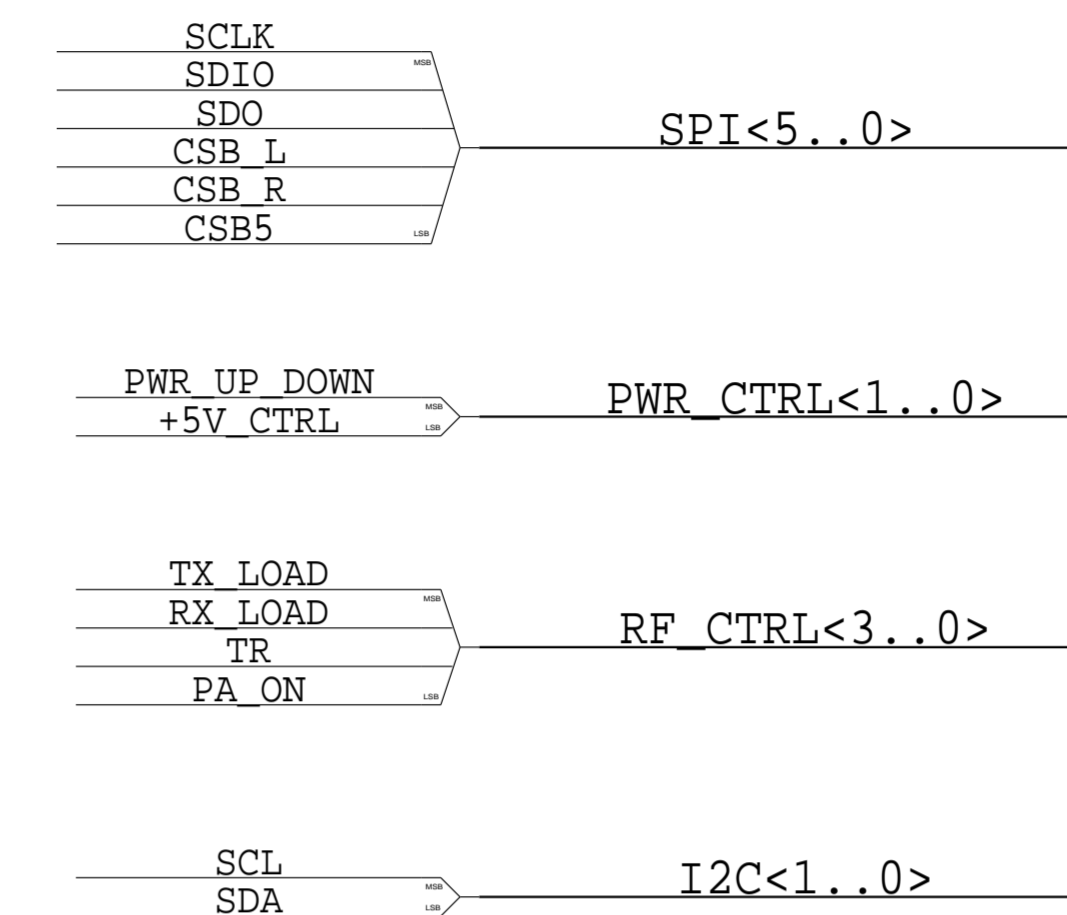
# INPUT BUSES



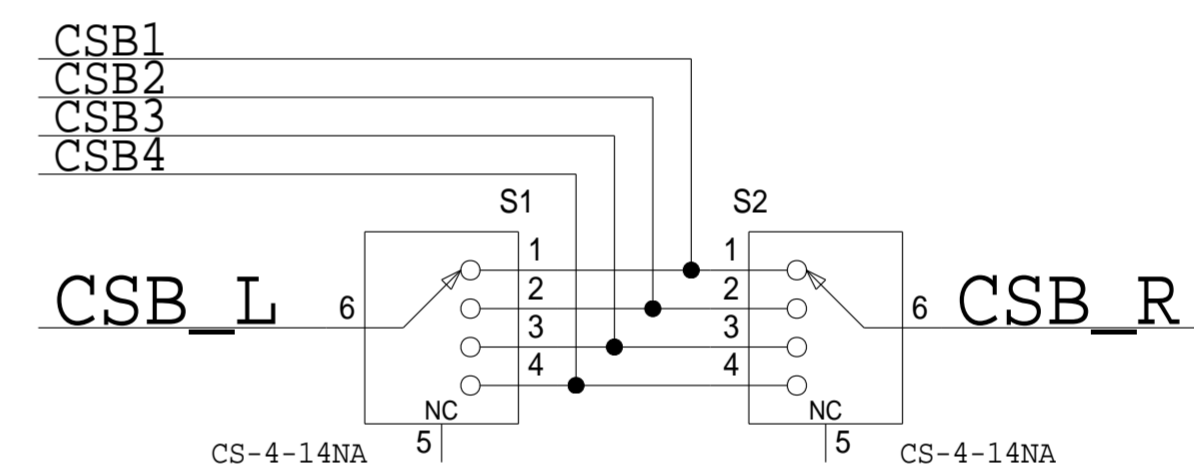
# LEVEL SHIFTERS



# OUTPUT BUSES



# CSB SELECTORS



# 1.8V TEST POINTS

SCLK	SDIO	PA_ON	PA_ON
SDIO	CSB1	TR	TR
CSB1	CSB2	TX_LOAD	TX_LOAD
CSB2	CSB3	RX_LOAD	RX_LOAD
CSB3	CSB4	SDO	SDO
CSB4	CSB5	CSB5	CSB5

**NOTE:**  
INPUT LOGIC LEVEL IS EXPECTED TO BE 1.8V IF USING THE TEST POINTS DIRECTLY

ANALOG DEVICES		SCHEMATIC		
<small>THIS DRAWING IS THE PROPERTY OF ANALOG DEVICES INC. IT IS NOT TO BE REPRODUCED OR COPIED IN WHOLE OR IN PART, OR USED IN FURNISHING INFORMATION TO OTHERS, OR FOR ANY OTHER PURPOSE DETRIMENTAL TO THE INTERESTS OF ANALOG DEVICES. THE EQUIPMENT SHOWN HEREON MAY BE PROTECTED BY PATENTS OWNED OR CONTROLLED BY ANALOG DEVICES.</small>		HW TYPE : Customer Evaluation Product(s) : ADAR1000 : ADTR1107		REV B
DESIGN VIEW <DESIGN_VIEW>		DRAWING NO. 02_059522		REV B
PTD ENGINEER <PTD_ENGINEER>		SIZE D	SCALE 1:1	SHEET 19 OF 19