

THIS DRAWING IS THE PROPERTY OF ANALOG DEVICES INC. IT IS NOT TO BE REPRODUCED OR COPIED, IN WHOLE OR IN PART, OR USED IN FURNISHING INFORMATION TO OTHERS, OR FOR ANY OTHER PURPOSE DETRIMENTAL TO THE INTERESTS OF ANALOG DEVICES. THE EQUIPMENT SHOWN HEREON MAY BE PROTECTED BY PATENTS OWNED OR CONTROLLED BY ANALOG DEVICES.

RELAY CONTROL CHART

CONTROL	CODE	DEVICE	FUNCTION	CONNECTOR

JUMPER TABLE		
JP#	ON	OFF
1		
2		
3		
4		
5		

* SEE ASSEMBLY INSTRUCTIONS

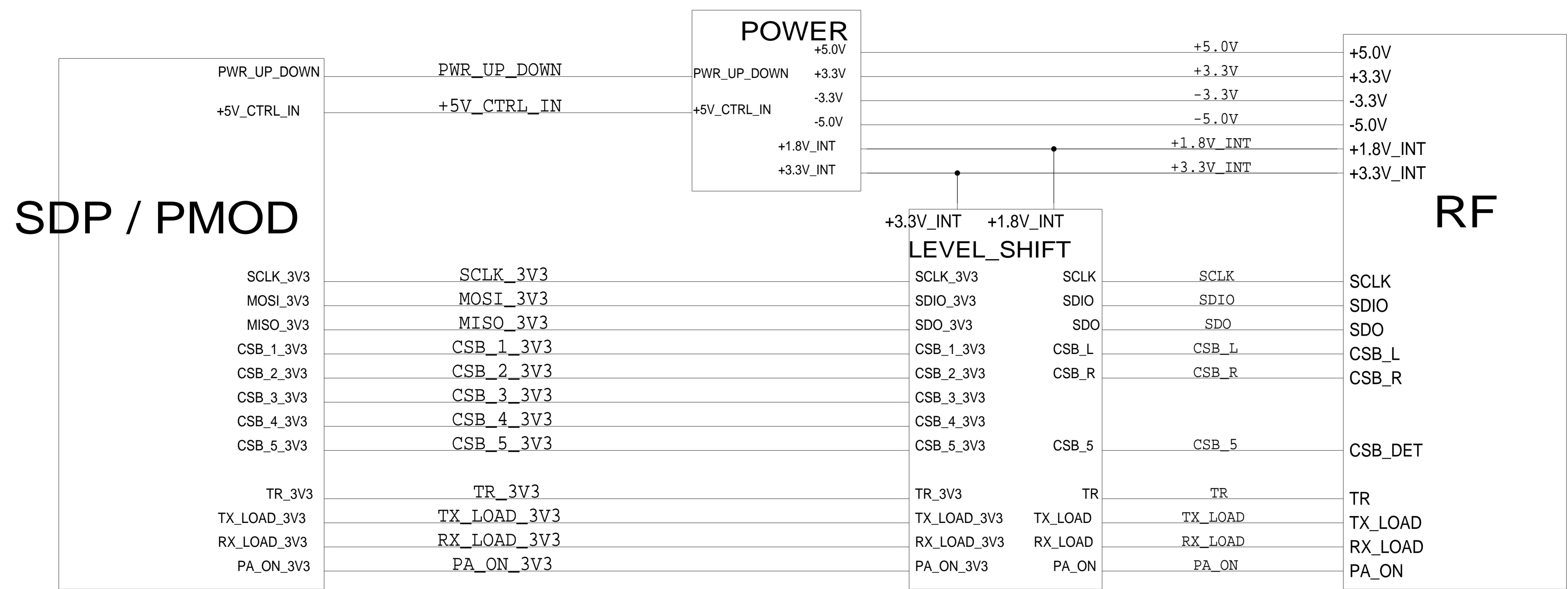
REVISIONS			
REV	DESCRIPTION	DATE	APPROVED

P.O SPEC.	BK/BD SPEC.	SOCKET OEM	OEM PART#	HANDLER

TEMPLATE ENGINEER	DATE
-	
HARDWARE SERVICES	
-	
HARDWARE SYSTEMS	
-	
TEST ENGINEER	
-	
COMPONENT ENGINEER	
-	
TEST PROCESS	
-	
HARDWARE RELEASE	
-	
DESIGNER	
-	
PTD ENGINEER	
<PTD_ENGINEER>	
CHECKER	
-	

SCHEMATIC		ANALOG DEVICES	
HW TYPE	: Customer Evaluation	DRAWING NO.	REV.
Product(s)	: ADAR1000	02_059522	A
	: ADTR1107		
PACKAGE	: LeadCount-lead BodySize PackageType-family		
	: Pitch-pitch StyleVendor Style		
	<User Define>		
	<User Define>		
	<User Define>		
MASTER PROJECT TEMPLATE	TESTER TEMPLATE		
TBD	no_template		
UNLESS OTHERWISE SPECIFIED DIMENSIONS ARE IN INCHES			
TOLERANCES			
DECIMALS	FRACTIONS	ANGLES	
X.XX +0.010	+1/32	+2	
X.XXX +0.005			
SIZE	SCALE	CODE ID NO.	SHEET 1 OF 18
D	1:1	CodeID	

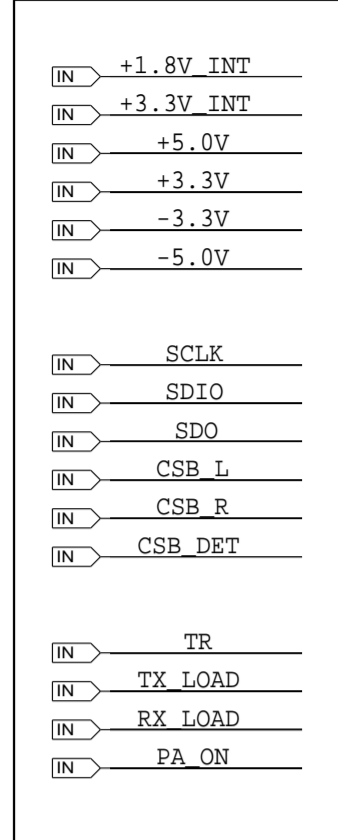
REVISIONS			
REV	DESCRIPTION	DATE	APPROVED



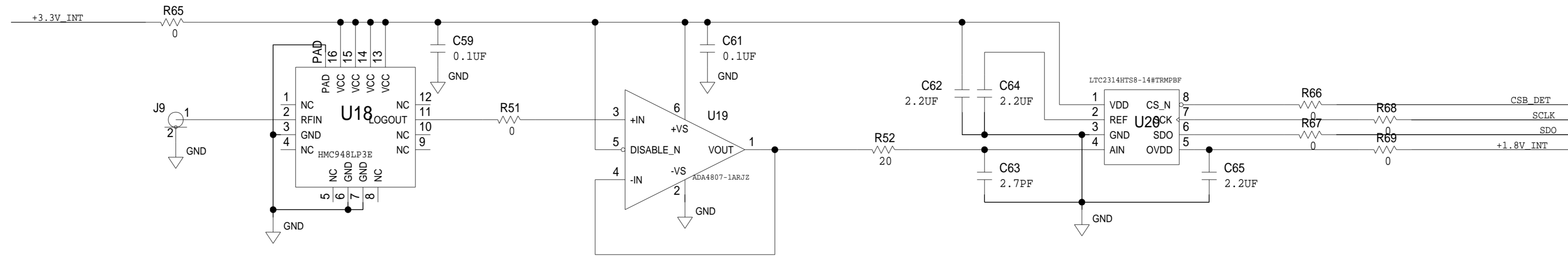
	SCHEMATIC		
	HW TYPE : Customer Evaluation Product(s) : ADAR1000 : ADTR1107		
	DESIGN VIEW <DESIGN_VIEW>	DRAWING NO. 02_059522	REV A
	PTD ENGINEER <PTD_ENGINEER>	SIZE D SCALE 1:1	SHEET 2 OF 18

REVISIONS			
REV	DESCRIPTION	DATE	APPROVED

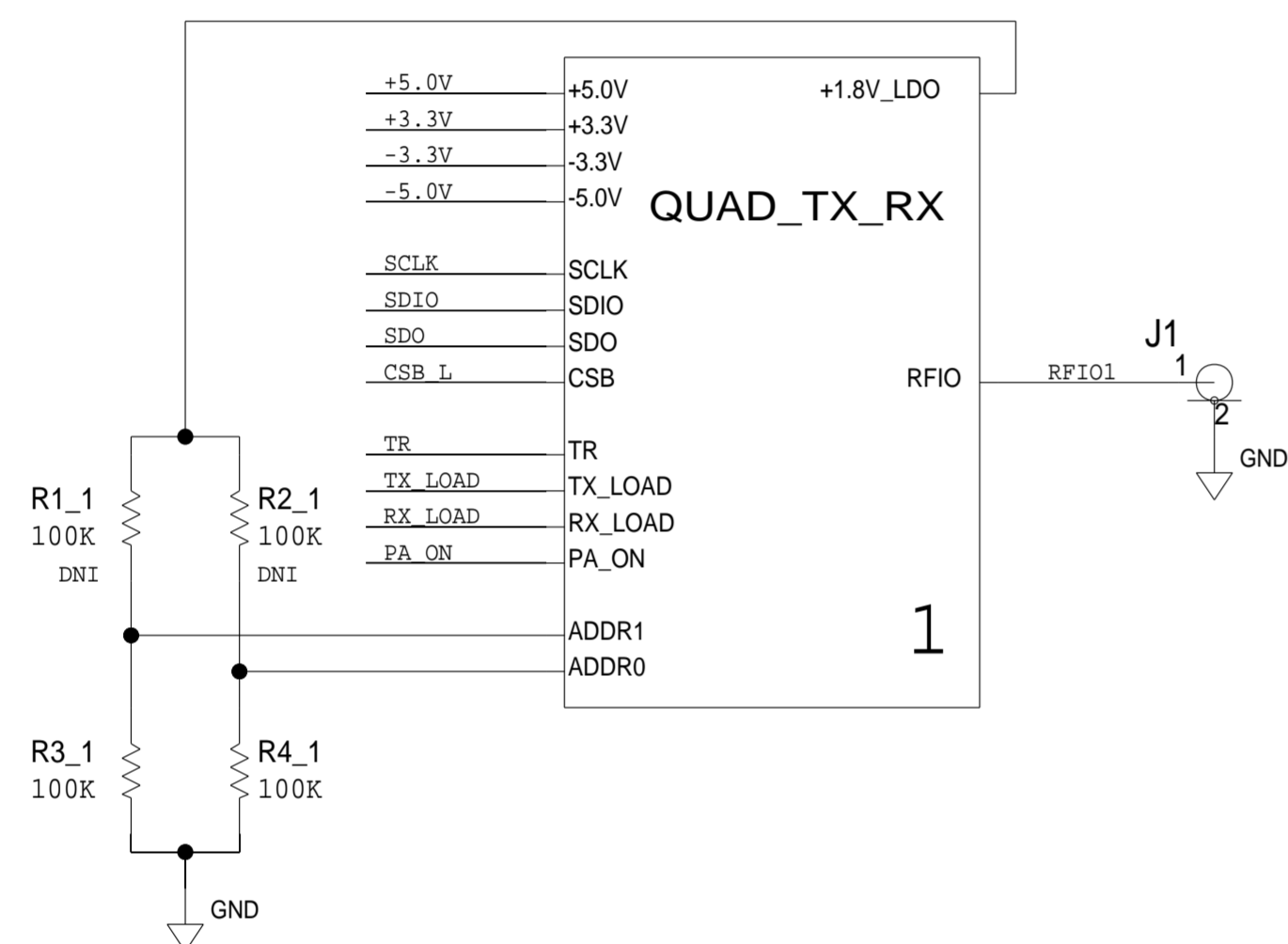
PAGE IO



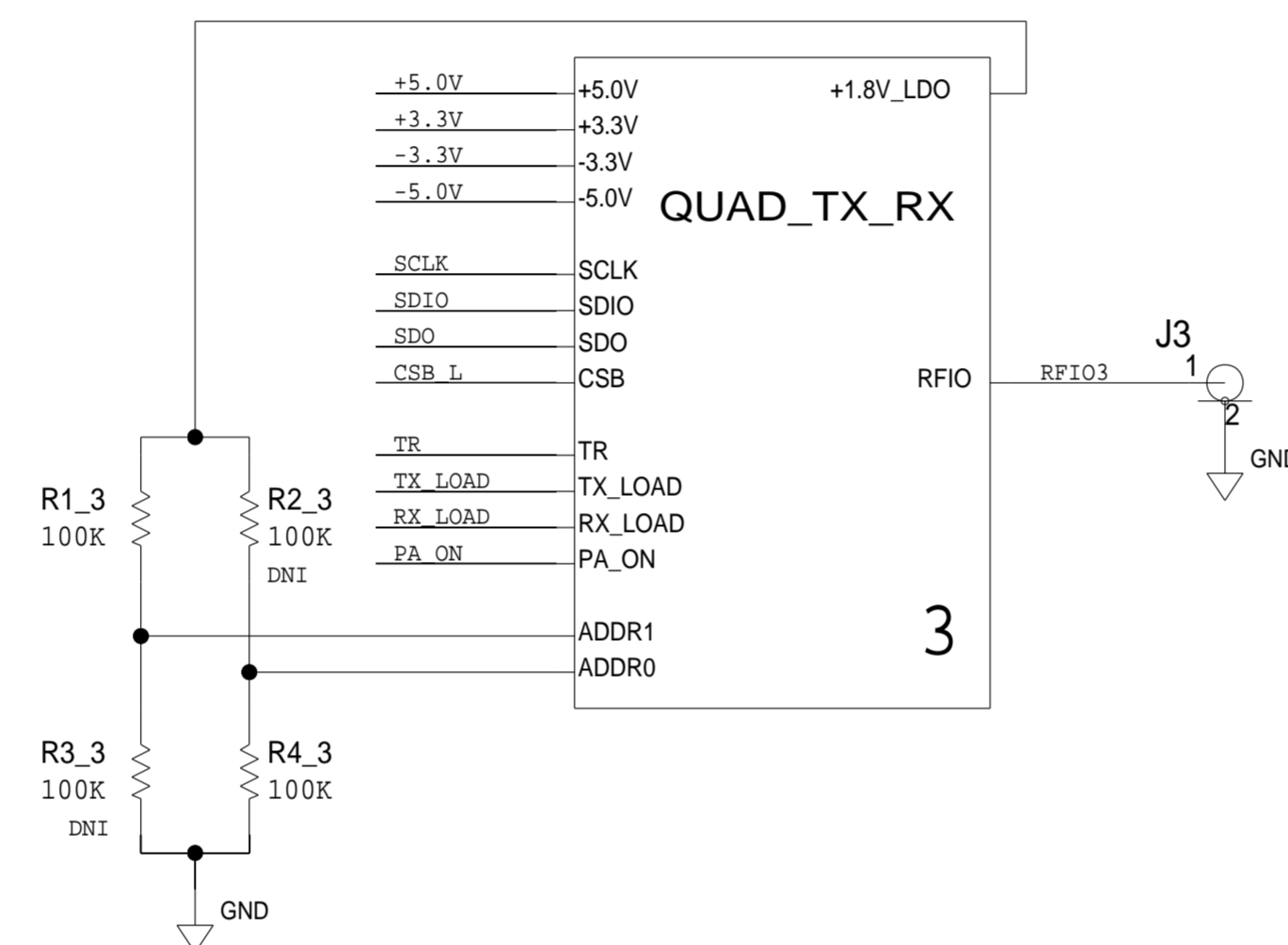
CALIBRATION DETECTOR/ADC COMBO



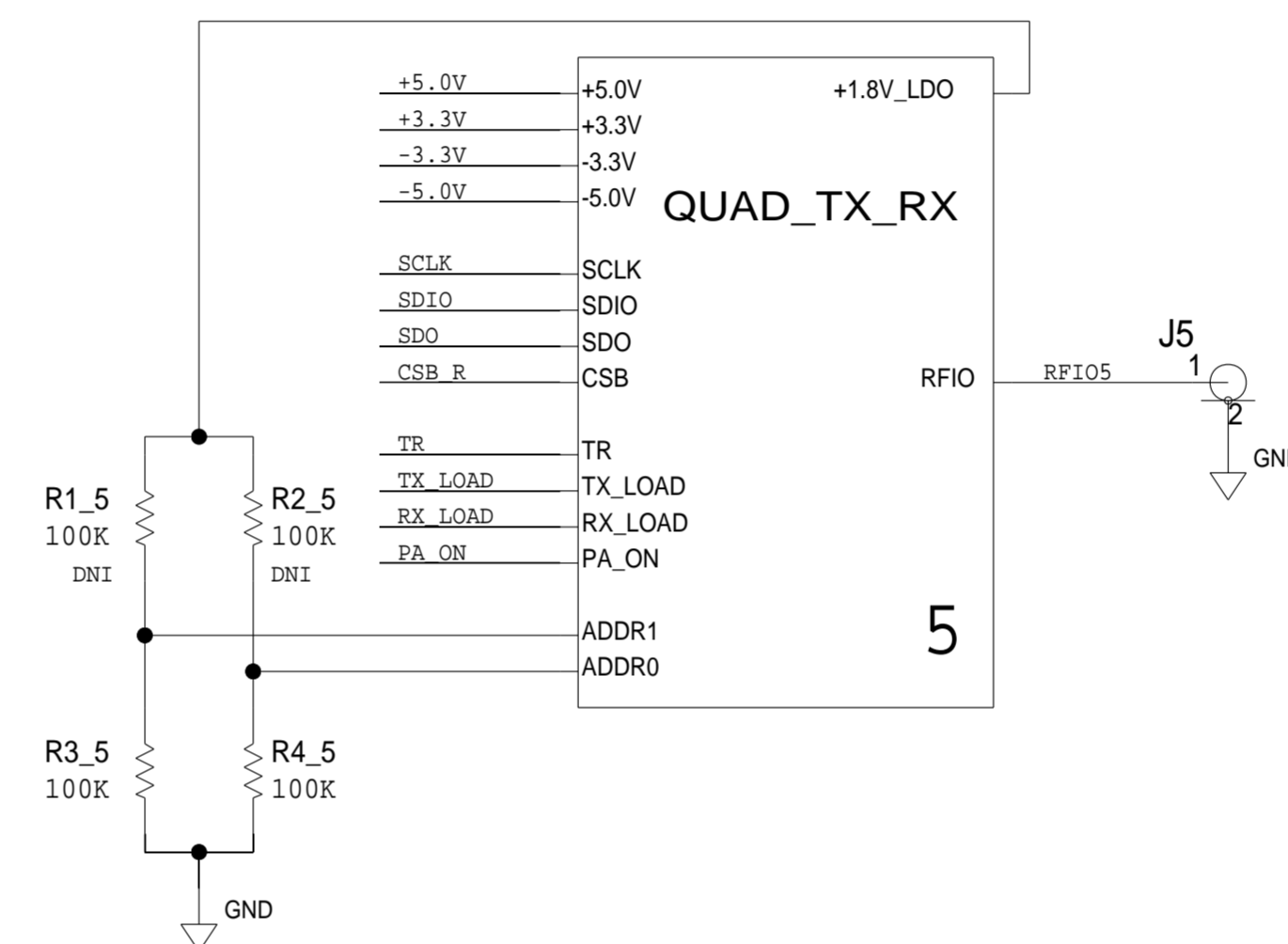
CSB_L
ADDR 00



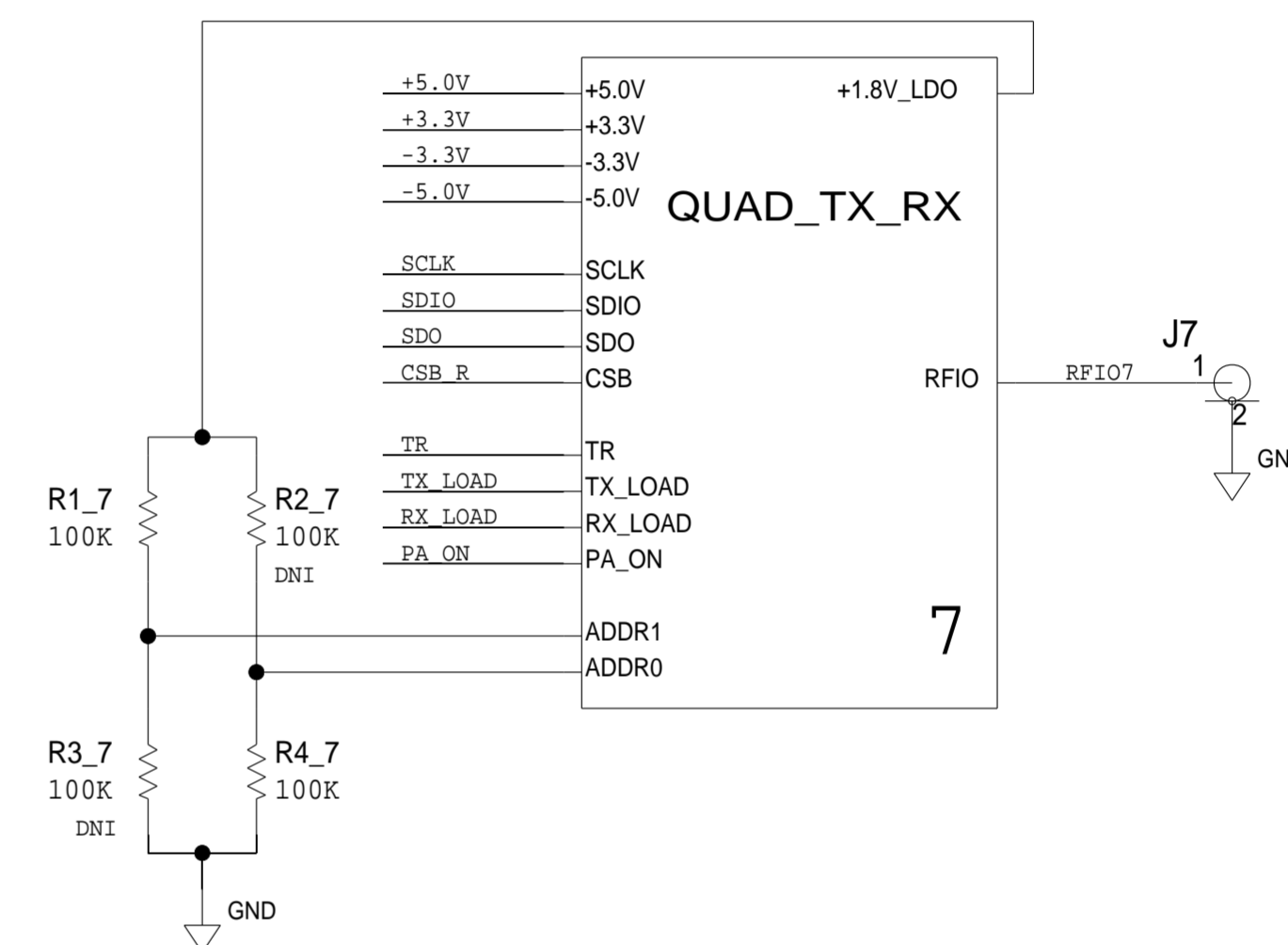
CSB_L
ADDR 10



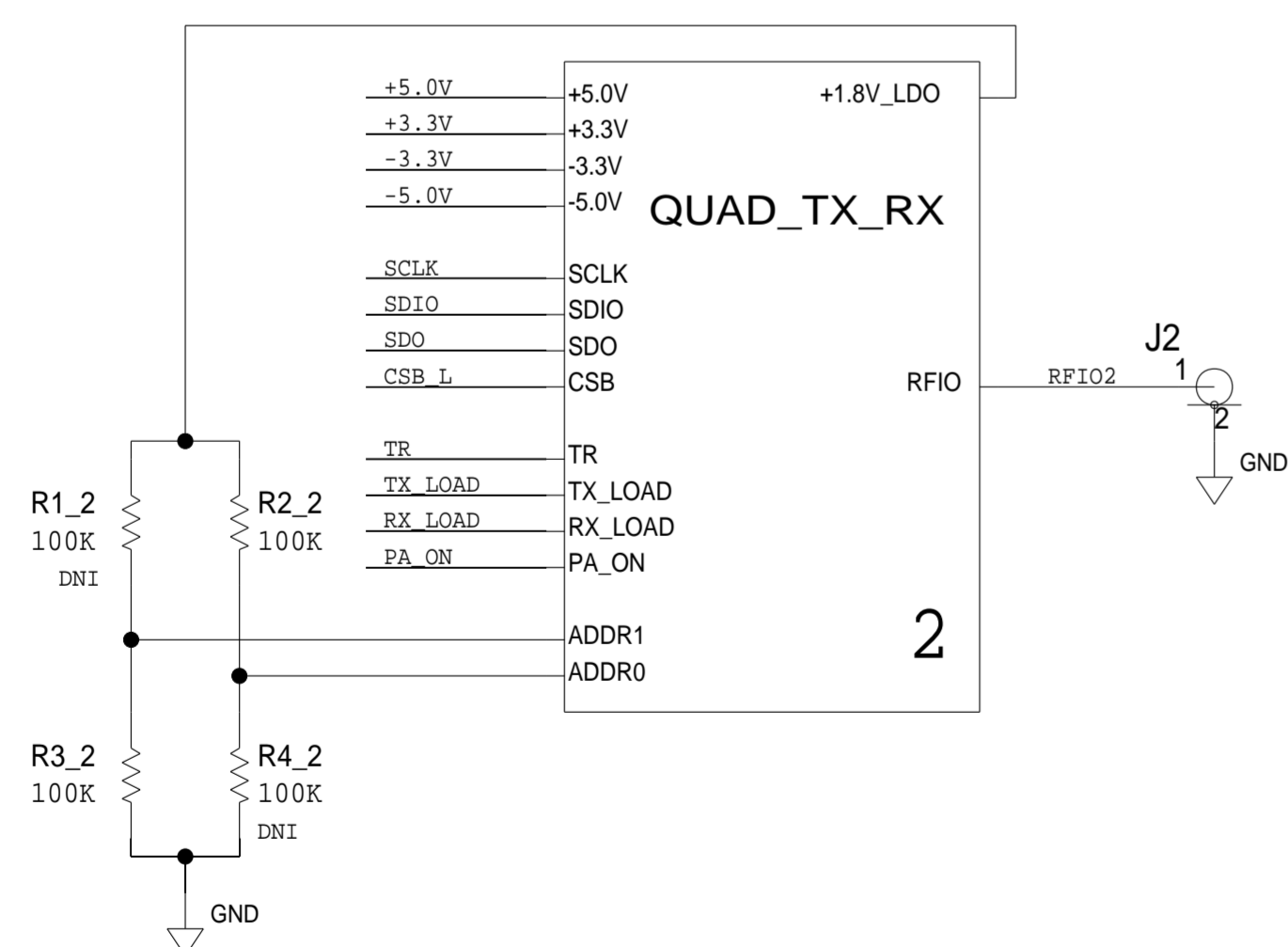
CSB_R
ADDR 00



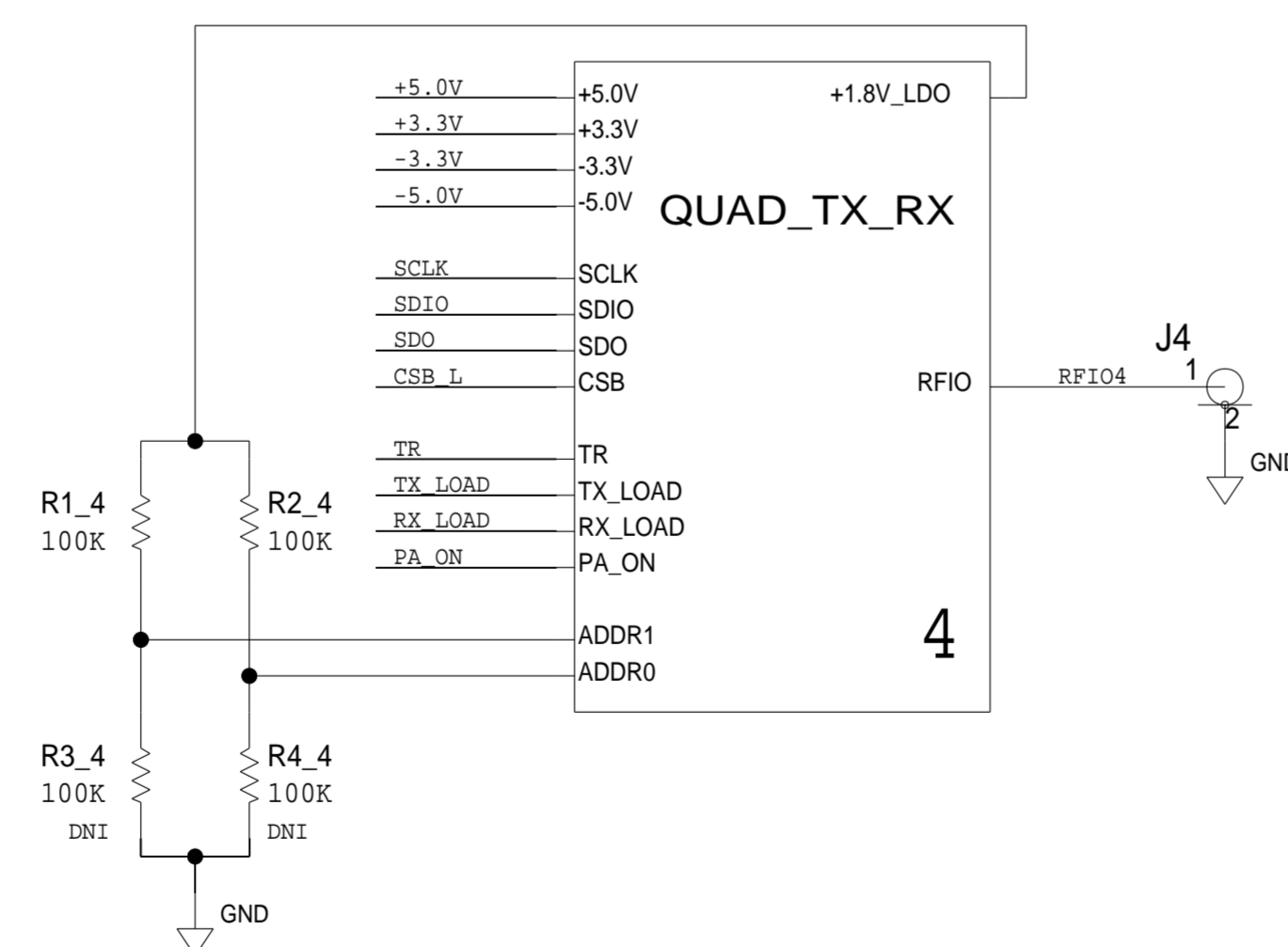
CSB_R
ADDR 10



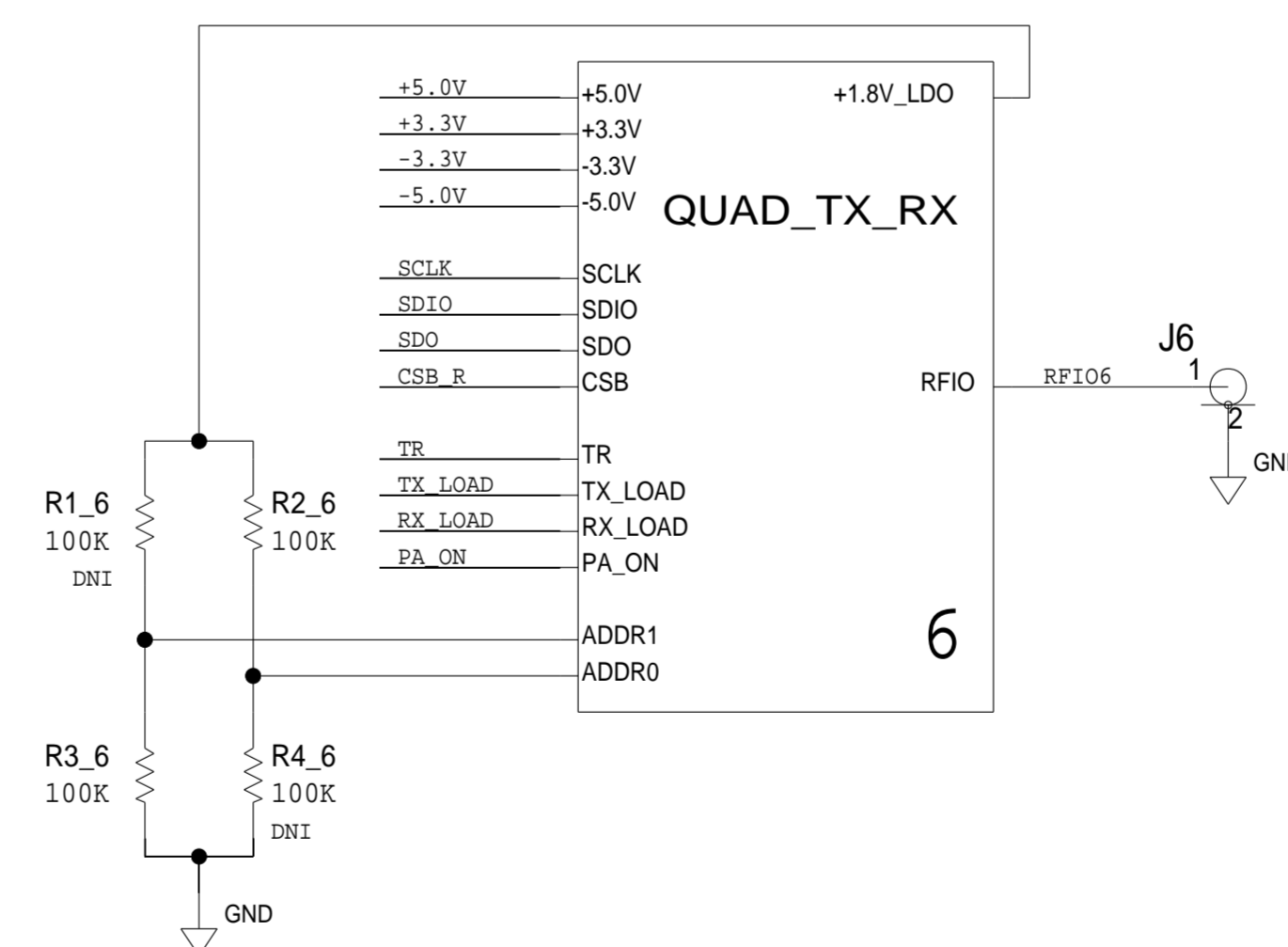
CSB_L
ADDR 01



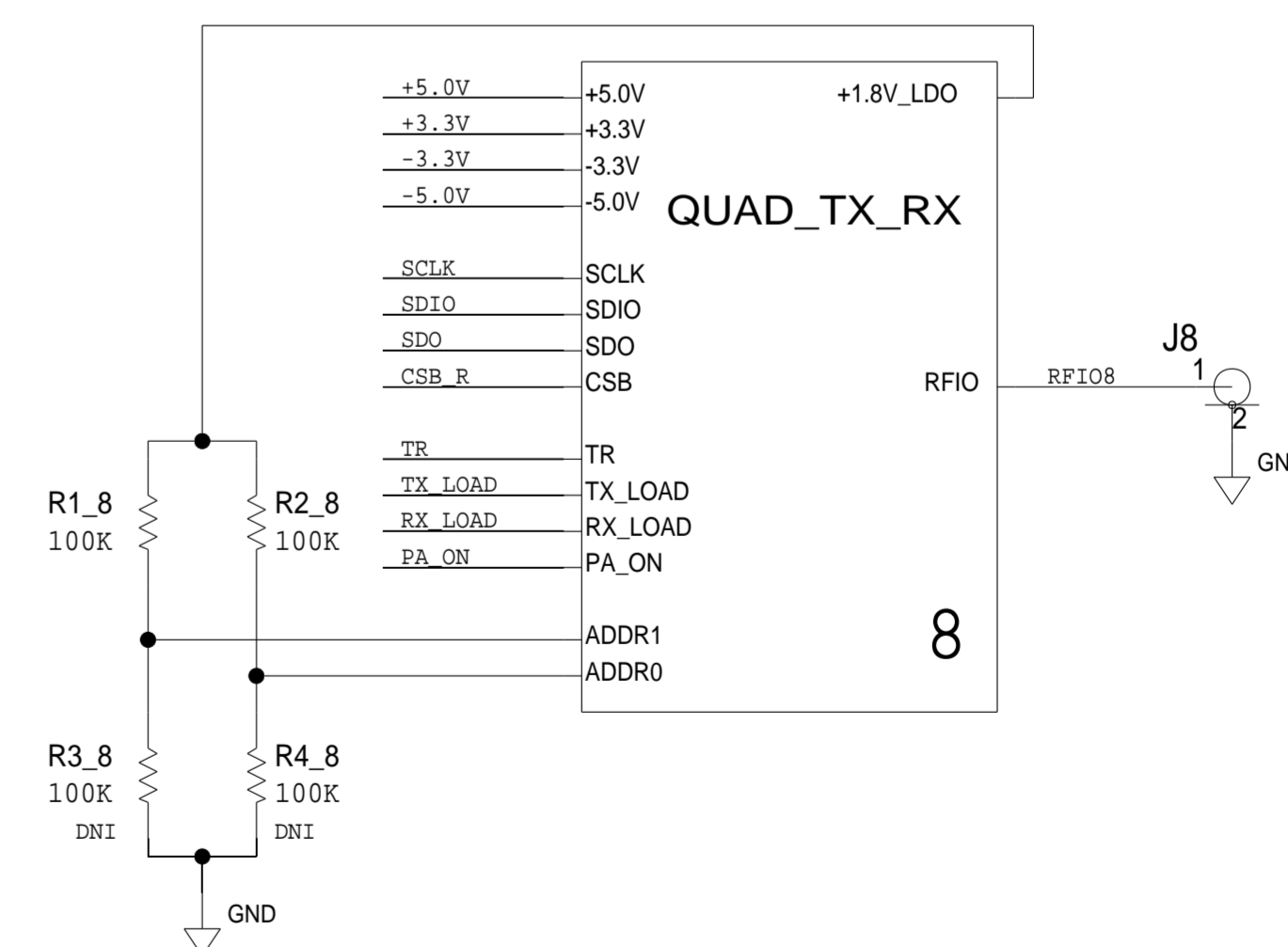
CSB_L
ADDR 11



CSB_R
ADDR 01

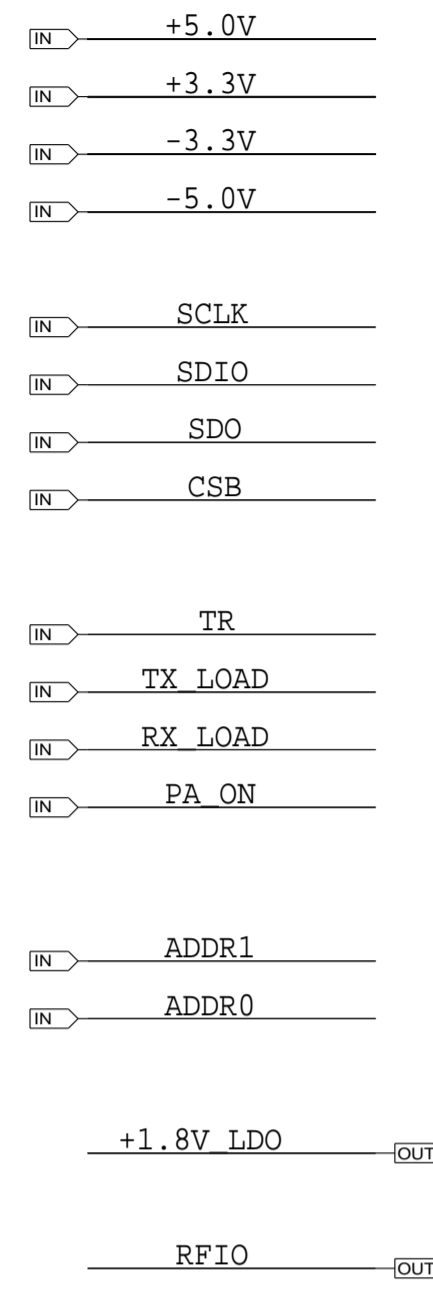


CSB_R
ADDR 11

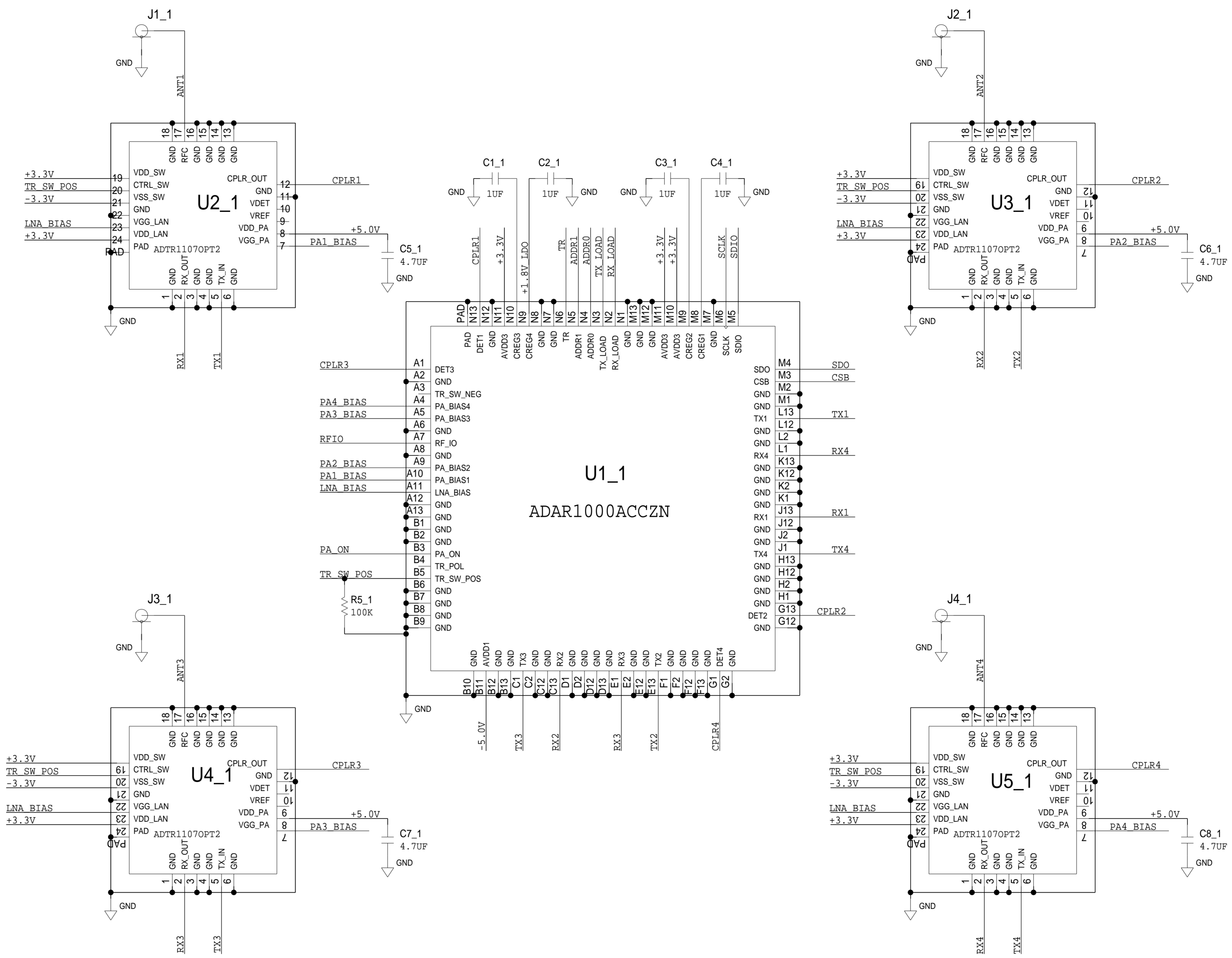
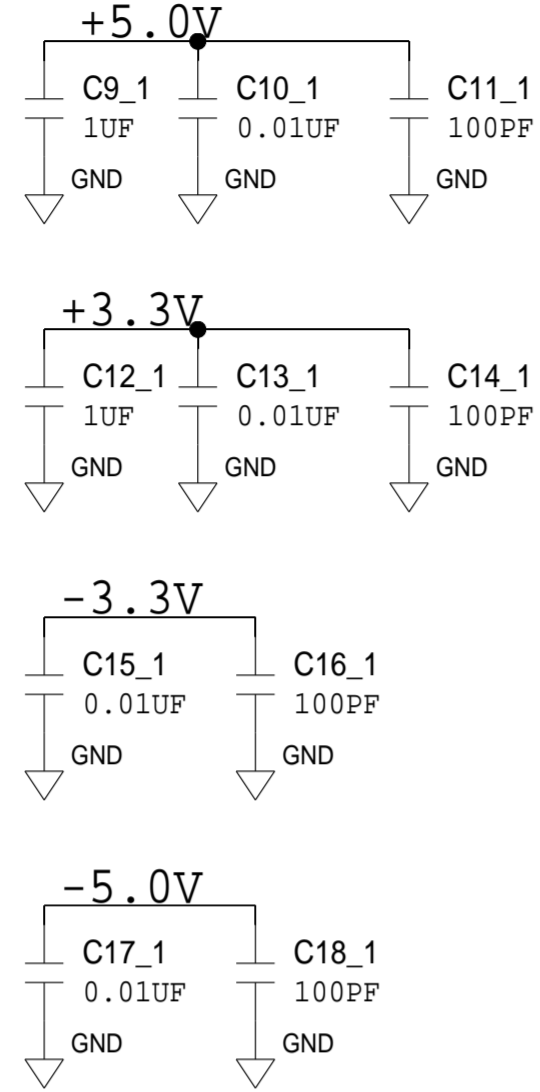


	SCHEMATIC		
	HW TYPE : Customer Evaluation Product(s) : ADAR1000 : ADTR1107		
	DESIGN VIEW <DESIGN_VIEW>	DRAWING NO. 02_059522	REV A
	PTD ENGINEER <PTD_ENGINEER>	SIZE D	SCALE 1:1
		SHEET 3 OF 18	

PAGE IO



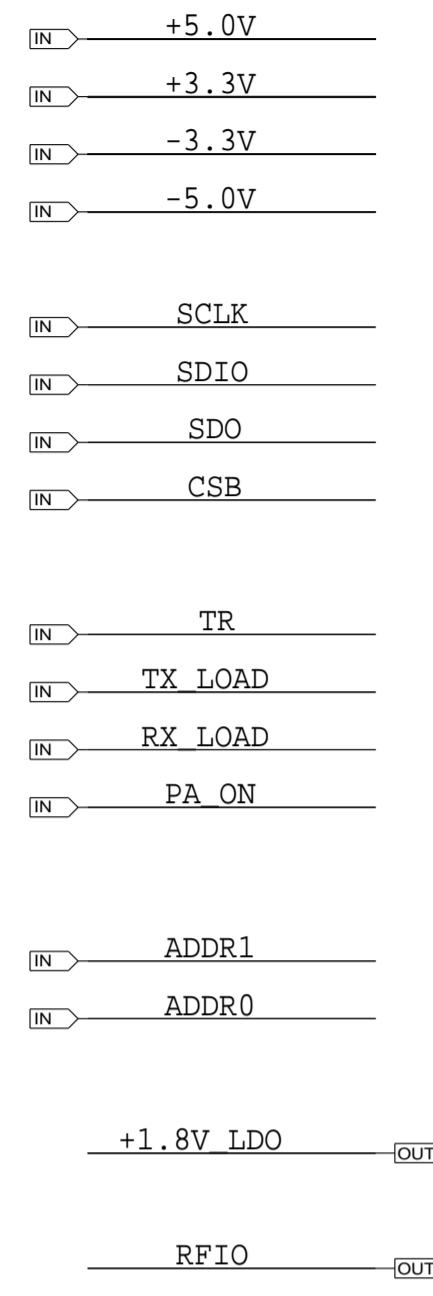
DECOUPLING



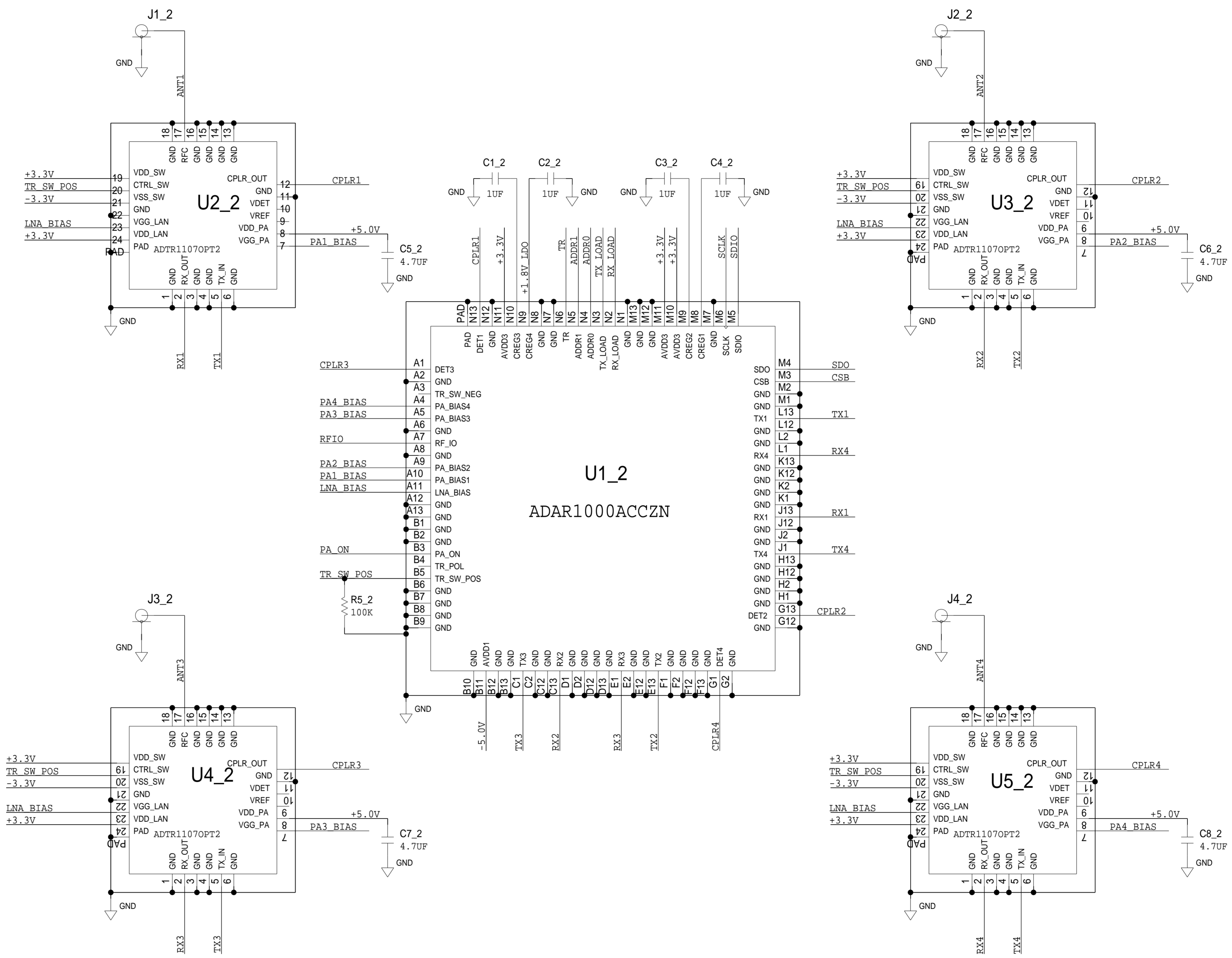
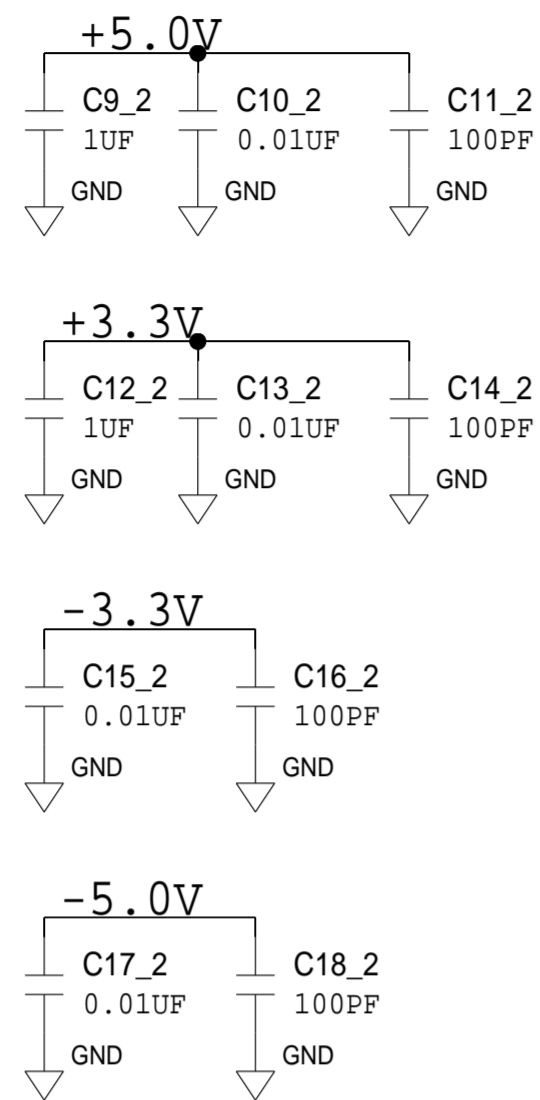
REVISIONS			
REV	DESCRIPTION	DATE	APPROVED

	SCHEMATIC		
	HW TYPE : Customer Evaluation		
	Product(s) : ADAR1000 : ADTR1107		
	DESIGN VIEW <DESIGN_VIEW>	DRAWING NO. 02_059522	REV A
PTD ENGINEER <PTD_ENGINEER>	SIZE D	SCALE 1:1	SHEET 4 OF 18

PAGE IO



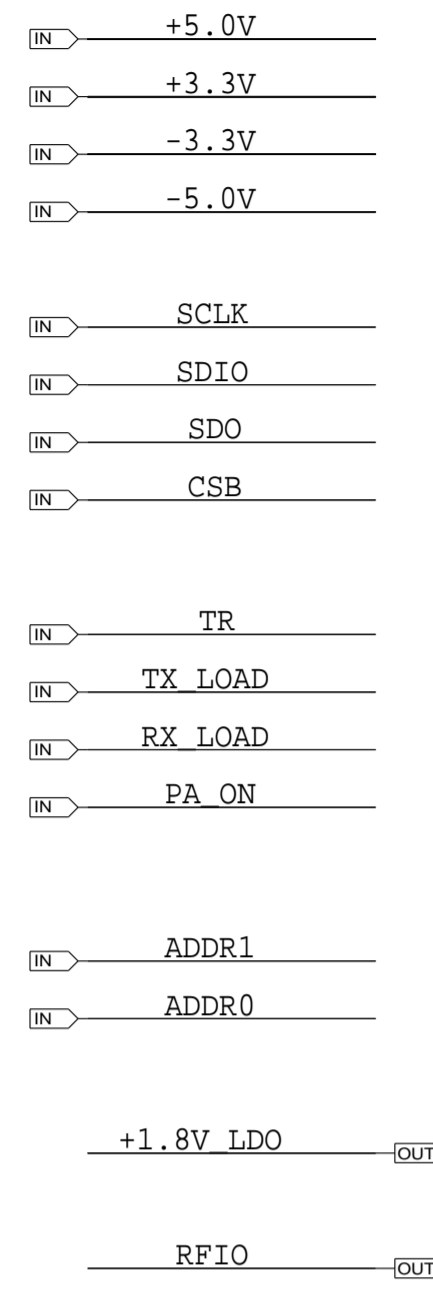
DECOUPLING



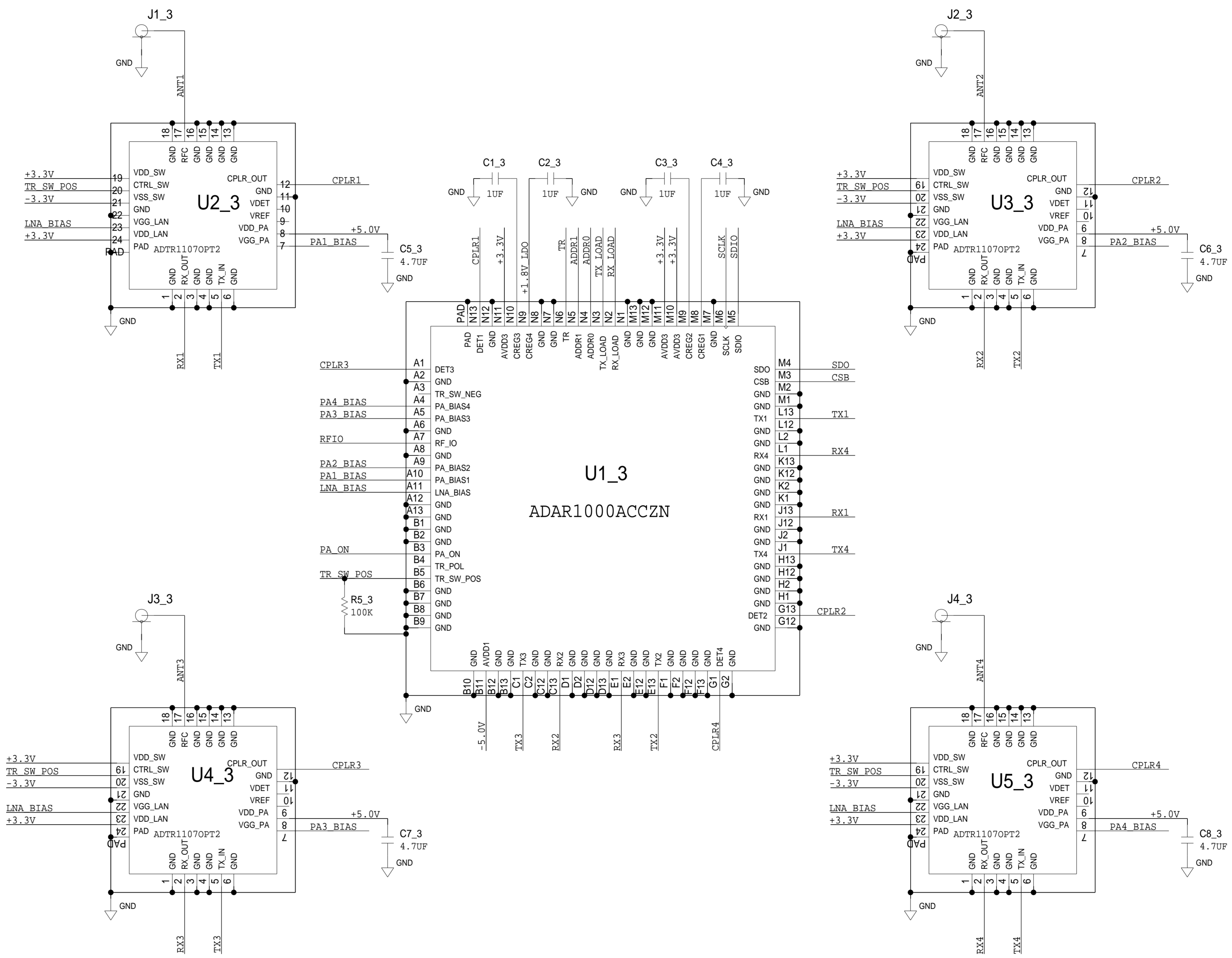
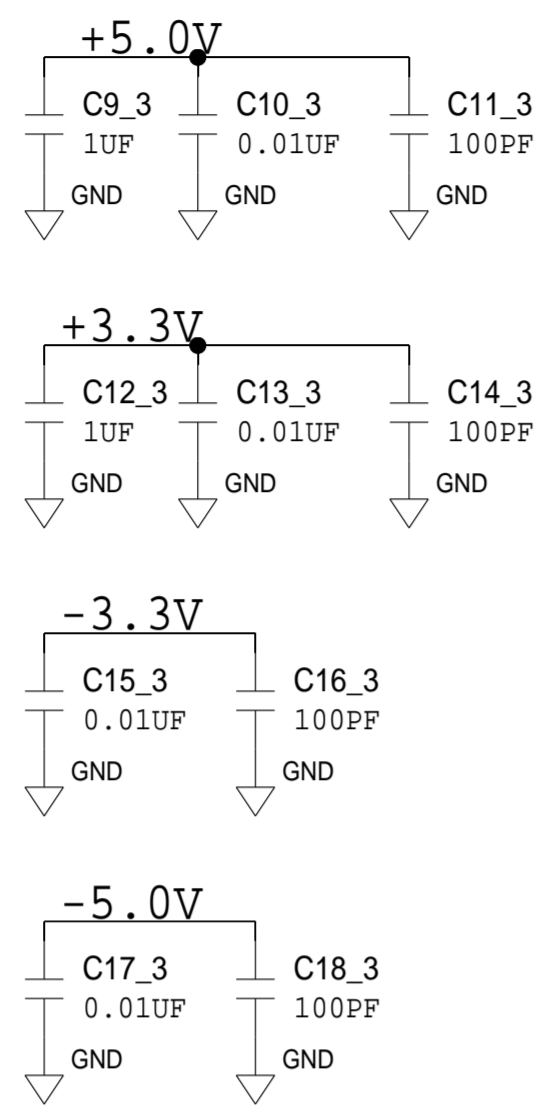
REVISIONS			
REV	DESCRIPTION	DATE	APPROVED

	SCHEMATIC		
	HW TYPE : Customer Evaluation		
	Product(s) : ADAR1000 : ADTR1107		
	DESIGN VIEW <DESIGN_VIEW>	DRAWING NO. 02_059522	REV A
PTD ENGINEER <PTD_ENGINEER>	SIZE D	SCALE 1:1	SHEET 5 OF 18

PAGE IO



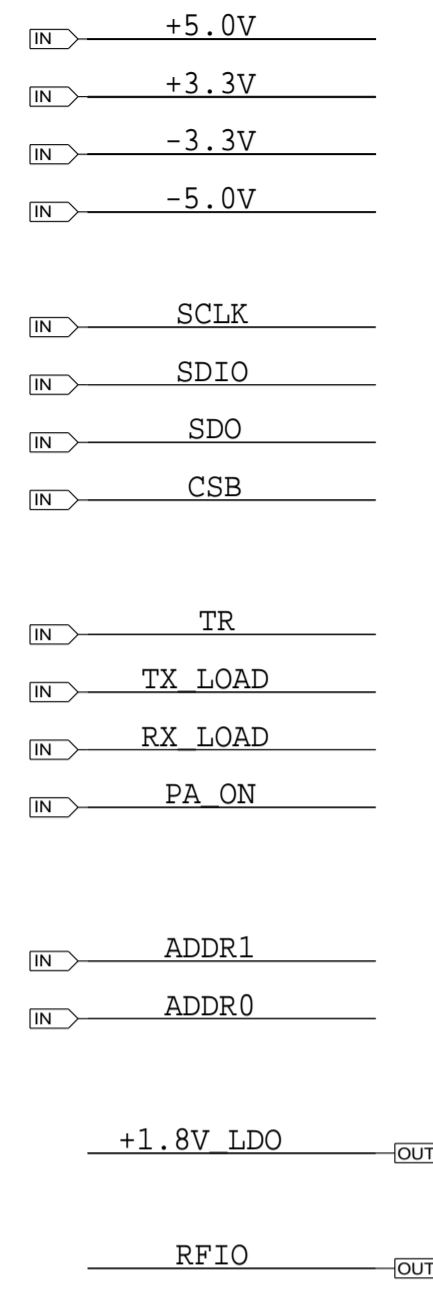
DECOUPLING



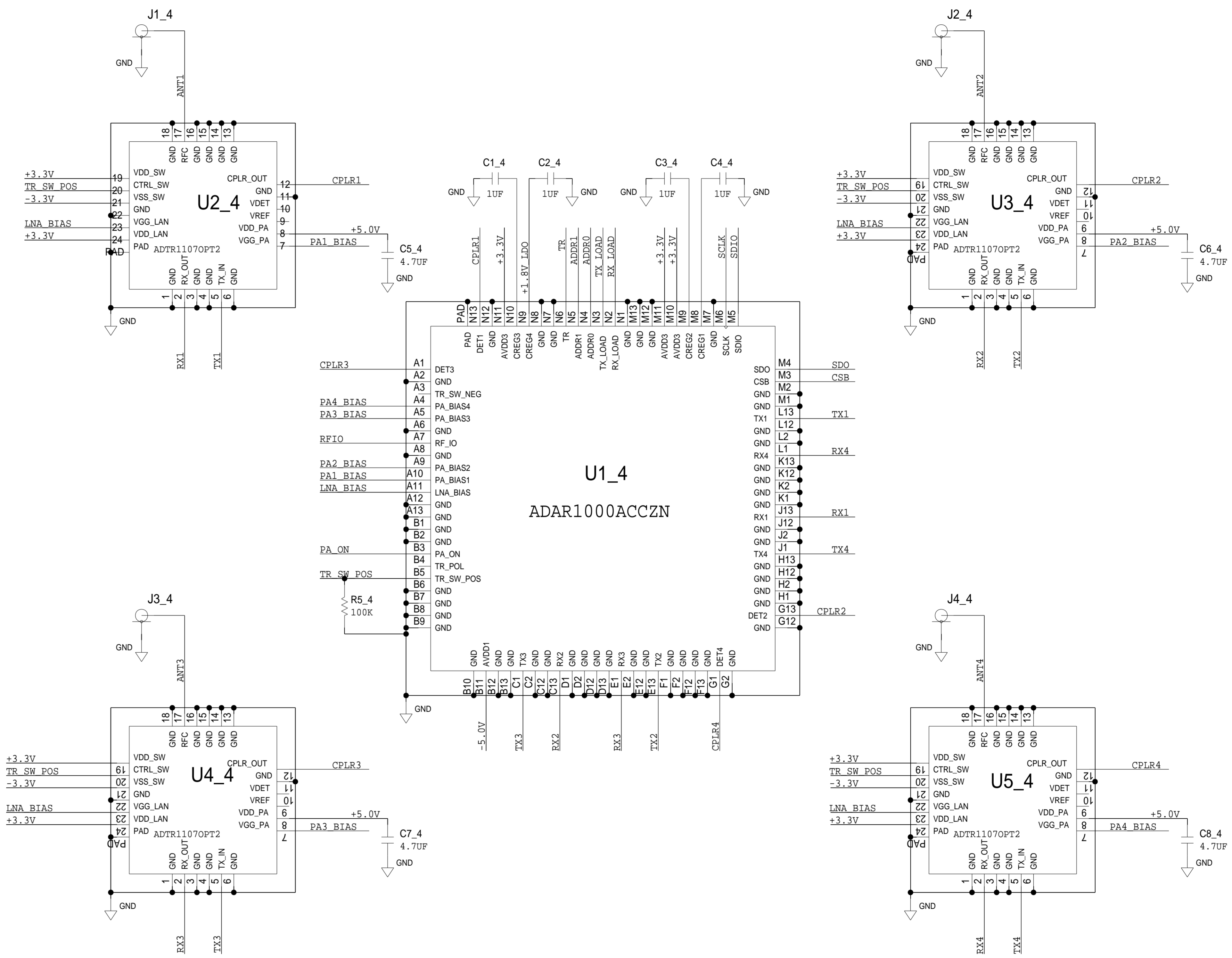
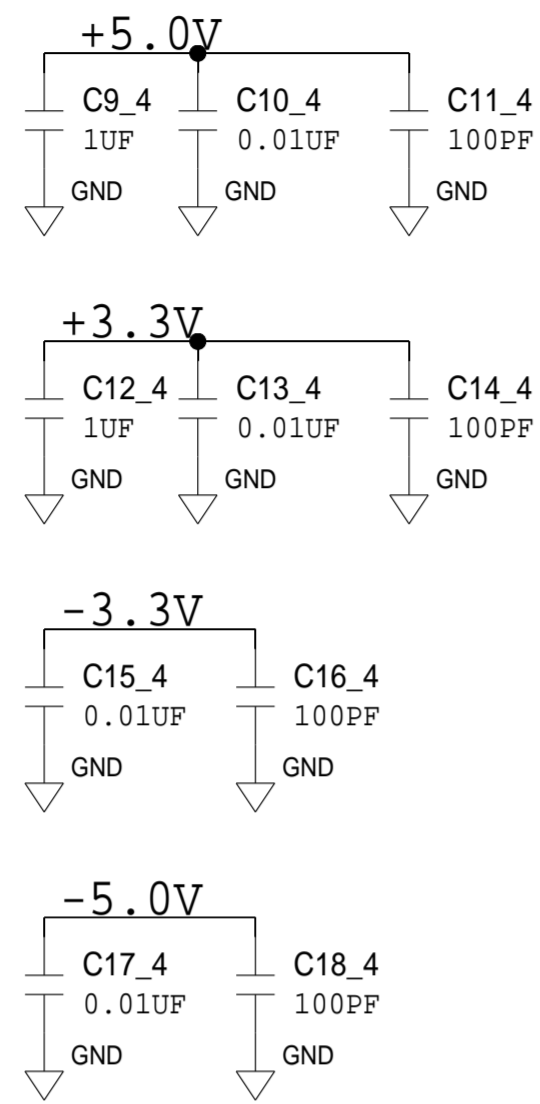
REVISIONS			
REV	DESCRIPTION	DATE	APPROVED

	SCHEMATIC		
	HW TYPE : Customer Evaluation		
	Product(s) : ADAR1000 : ADTR1107		
	DESIGN VIEW <DESIGN_VIEW>	DRAWING NO. 02_059522	REV A
PTD ENGINEER <PTD_ENGINEER>	SIZE D	SCALE 1:1	SHEET 6 OF 18

PAGE IO



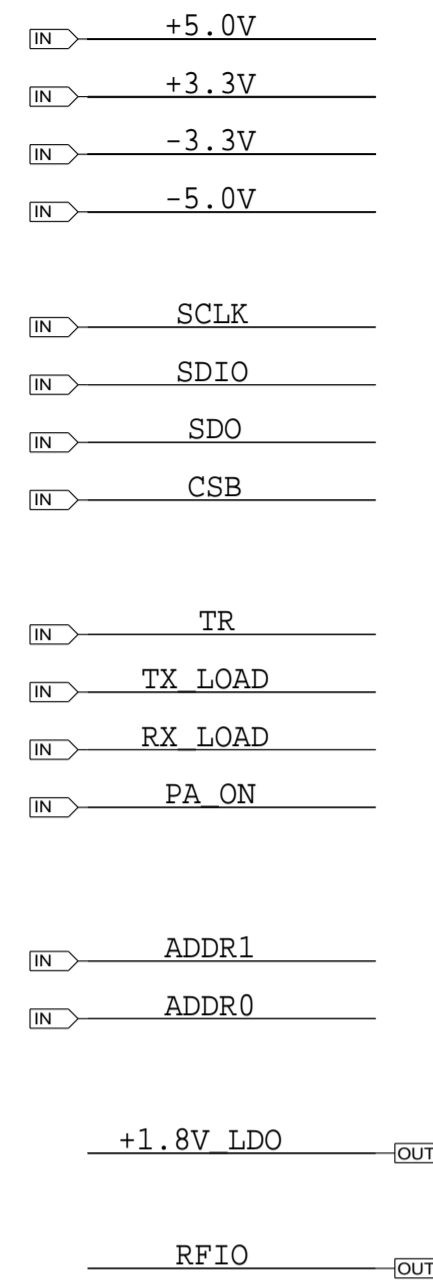
DECOUPLING



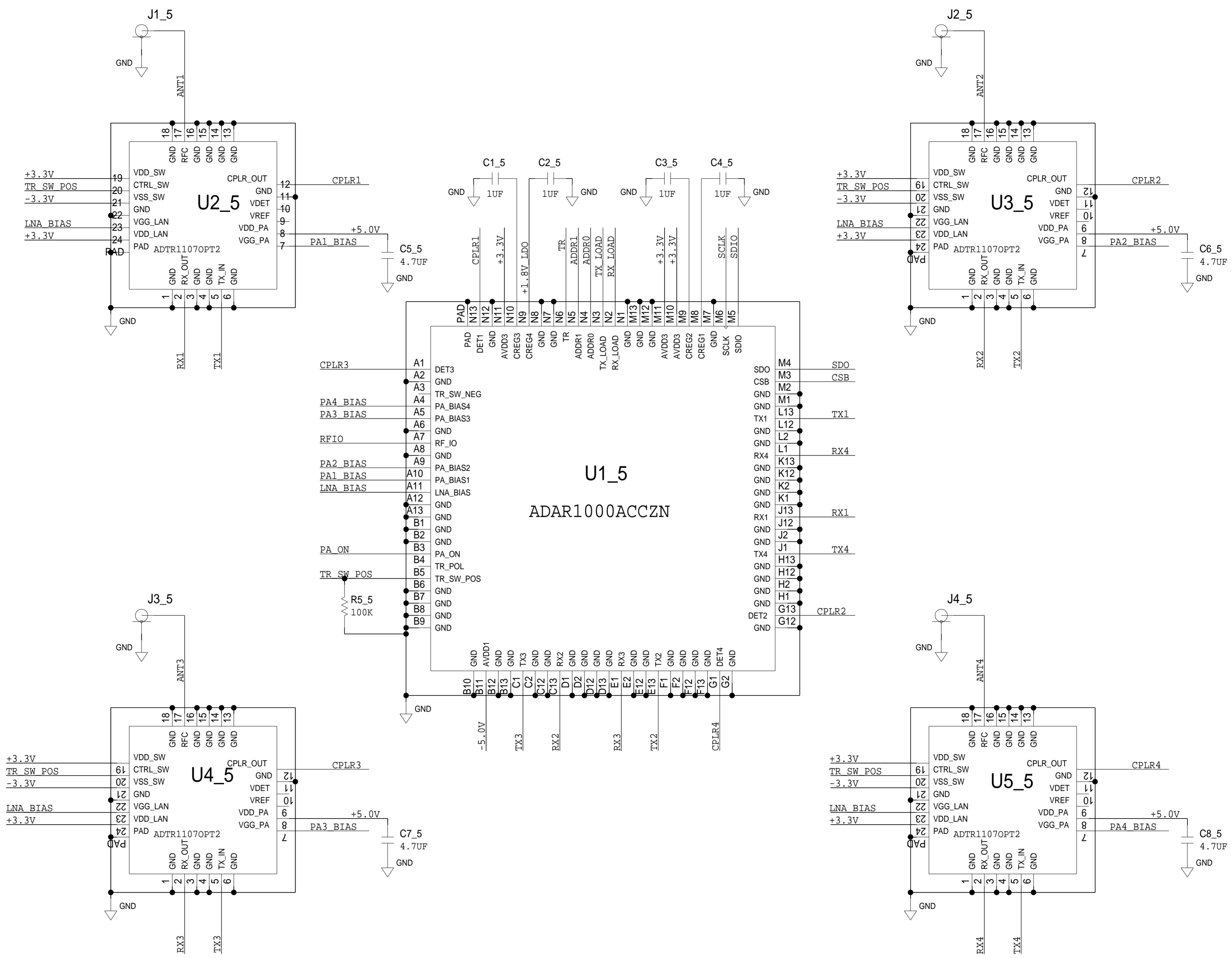
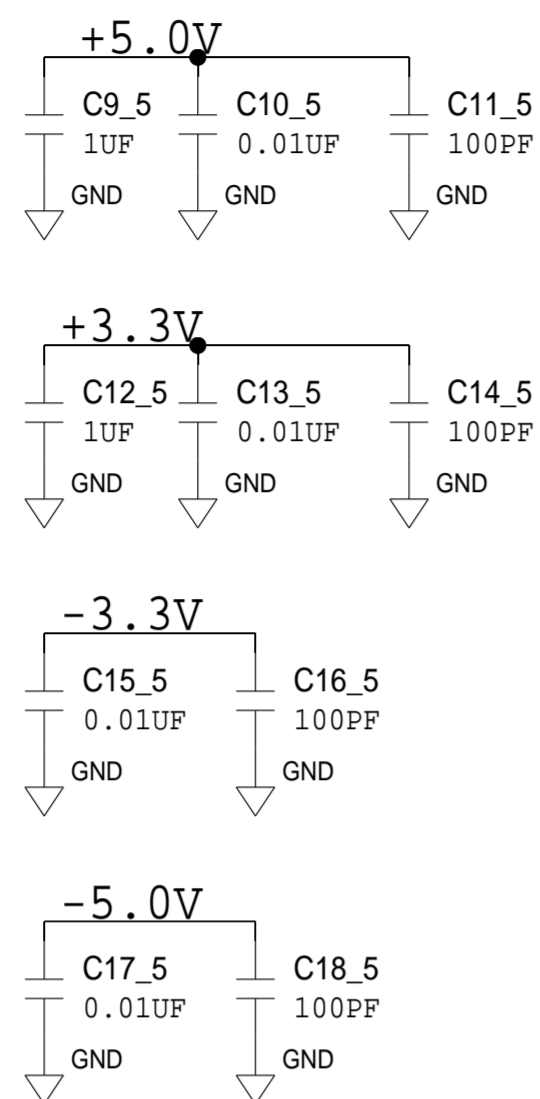
REVISIONS			
REV	DESCRIPTION	DATE	APPROVED

	SCHEMATIC		
	HW TYPE : Customer Evaluation		
	Product(s) : ADAR1000 : ADTR1107		
	DESIGN VIEW <DESIGN_VIEW>	DRAWING NO. 02_059522	REV A
PTD ENGINEER <PTD_ENGINEER>	SIZE D	SCALE 1:1	SHEET 7 OF 18

PAGE IO



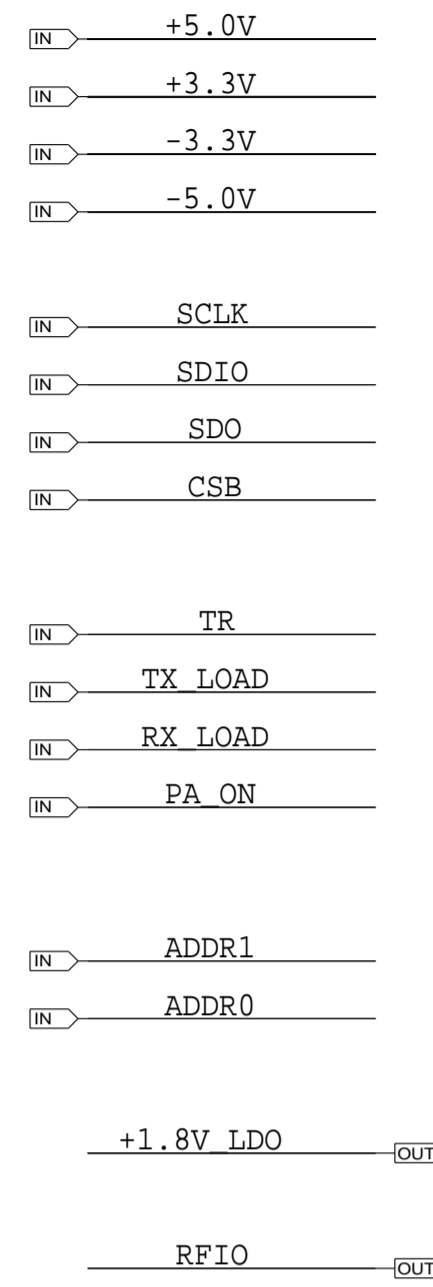
DECOUPLING



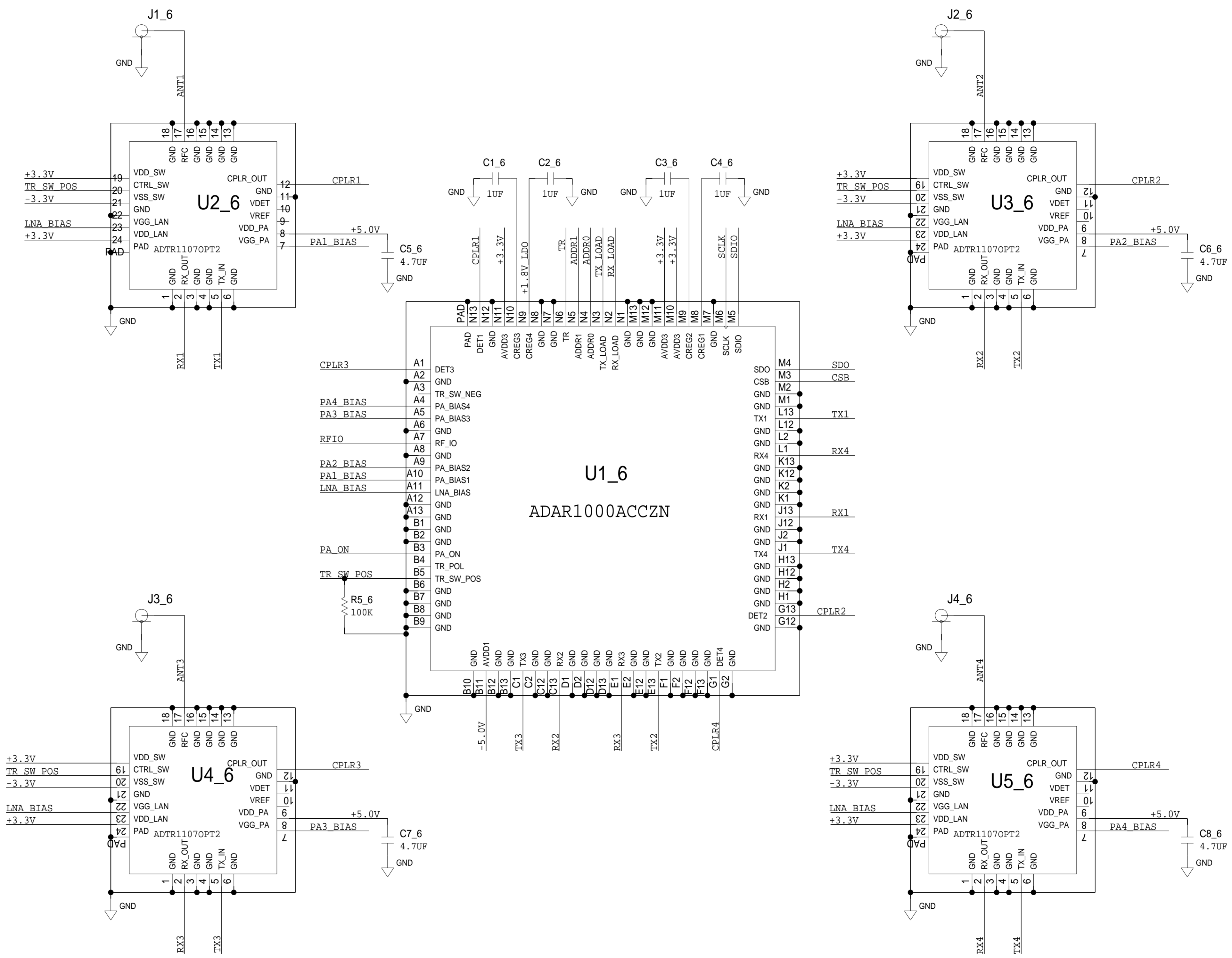
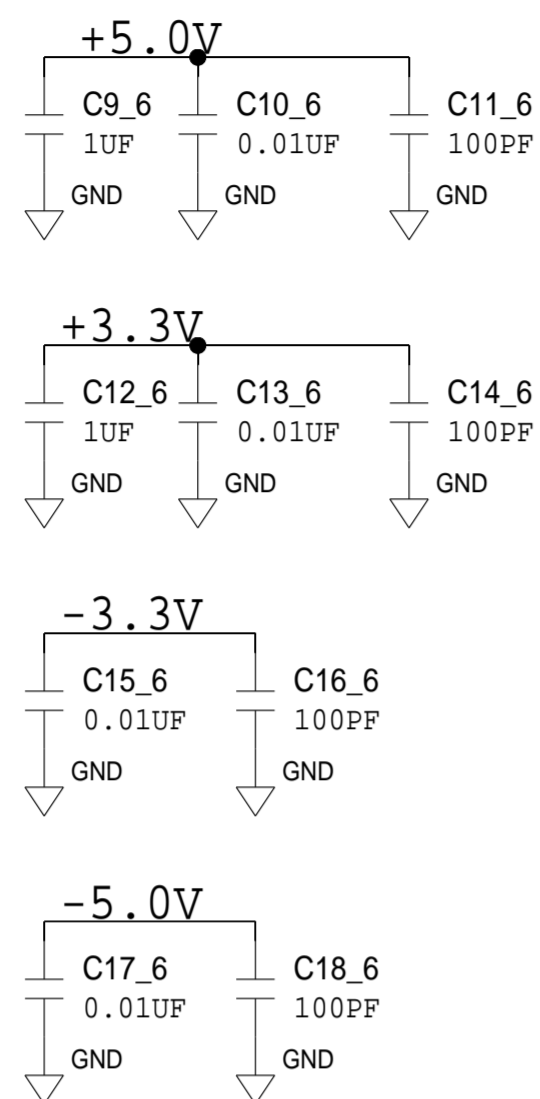
REVISIONS			
REV	DESCRIPTION	DATE	APPROVED

	SCHEMATIC		
	HW TYPE : Customer Evaluation		
	Product(s) : ADAR1000 : ADTR1107		
	DESIGN VIEW <DESIGN_VIEW>	DRAWING NO. 02_059522	REV A
PTD ENGINEER <PTD_ENGINEER>	SIZE D	SCALE 1:1	SHEET 8 OF 18

PAGE IO



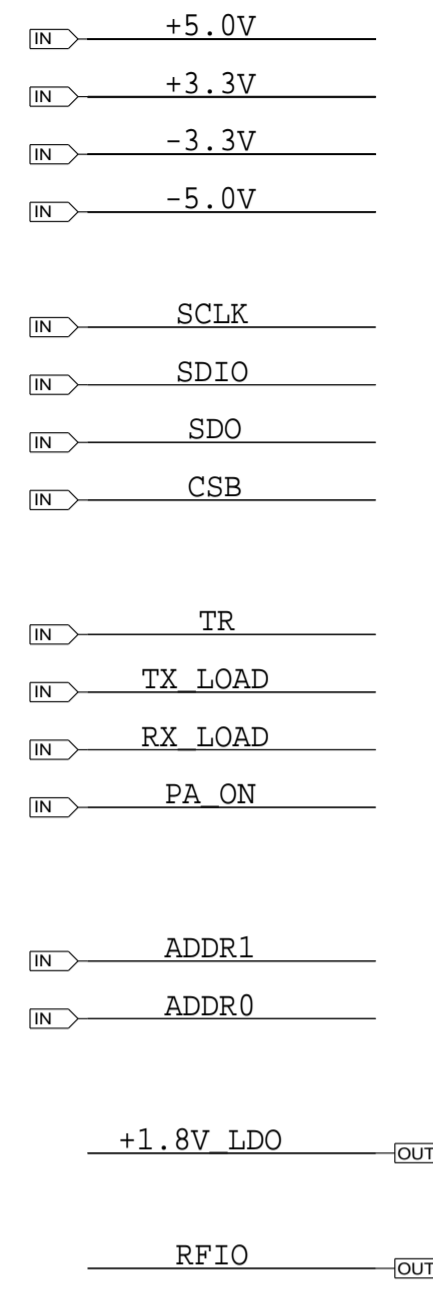
DECOUPLING



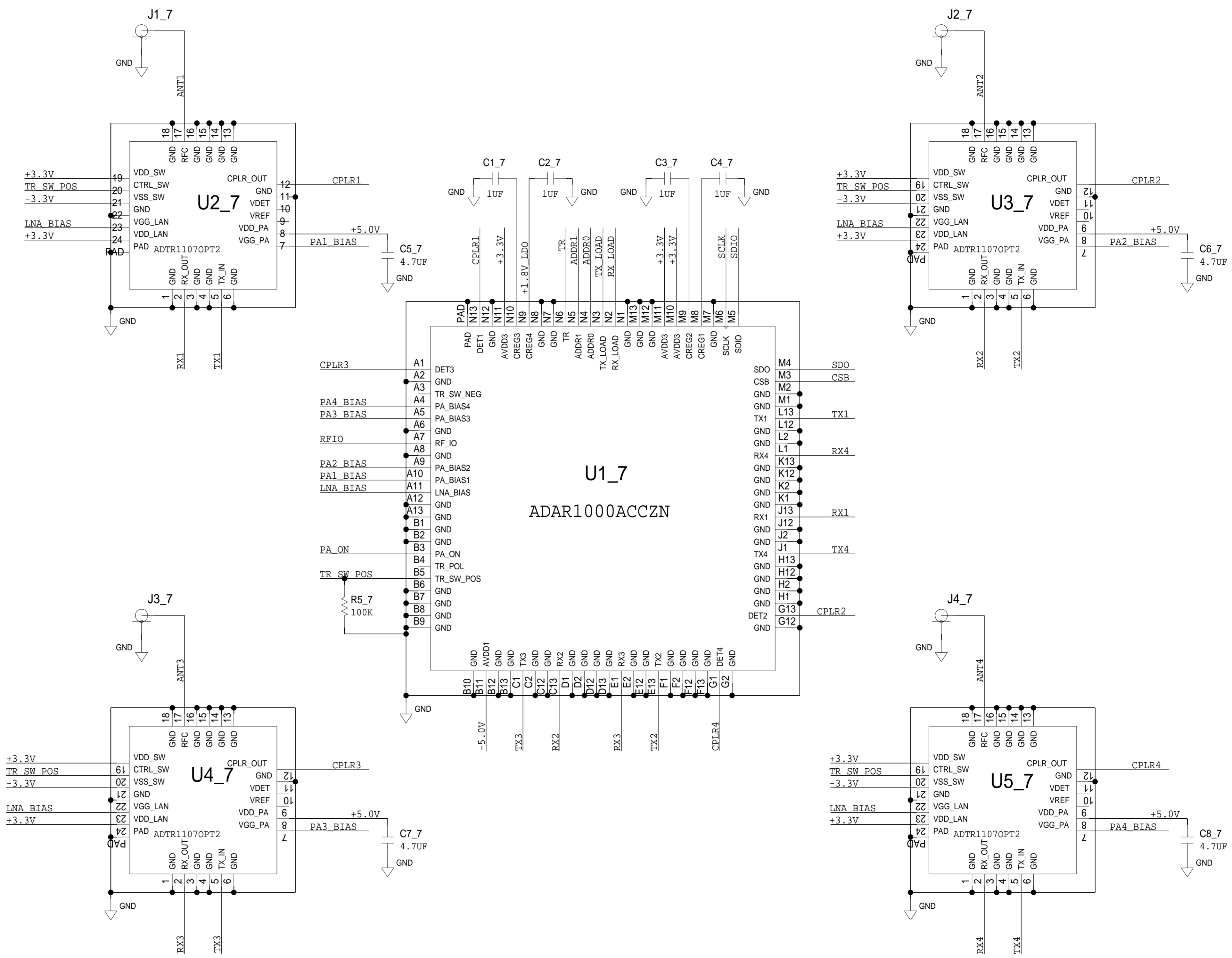
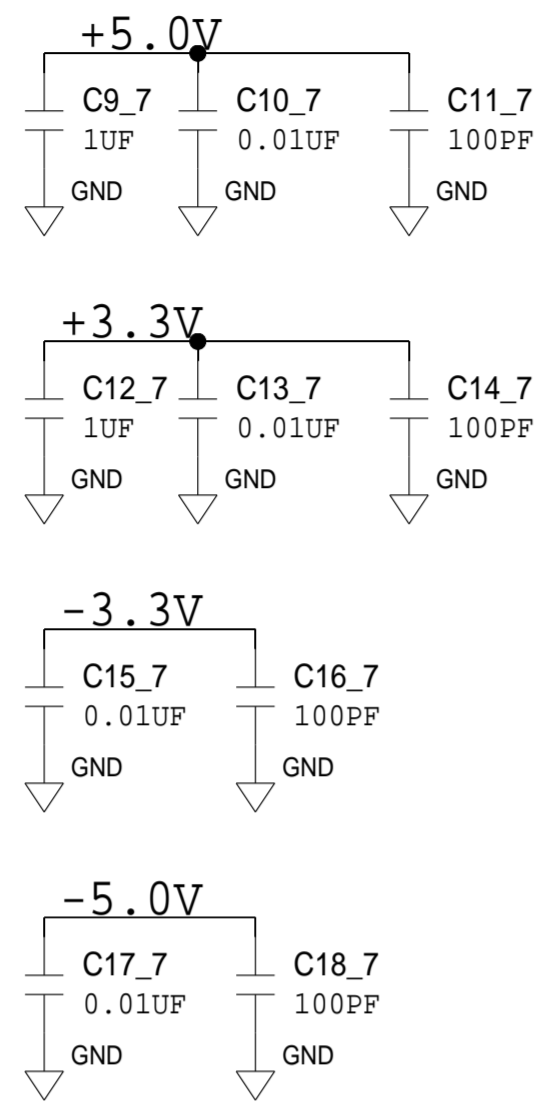
REVISIONS			
REV	DESCRIPTION	DATE	APPROVED

	SCHEMATIC		
	HW TYPE : Customer Evaluation Product(s) : ADAR1000 : ADTR1107		
	DESIGN VIEW <DESIGN_VIEW>	DRAWING NO. 02_059522	REV A
	PTD ENGINEER <PTD_ENGINEER>	SIZE D	SCALE 1:1
		SHEET 9 OF 18	

PAGE IO



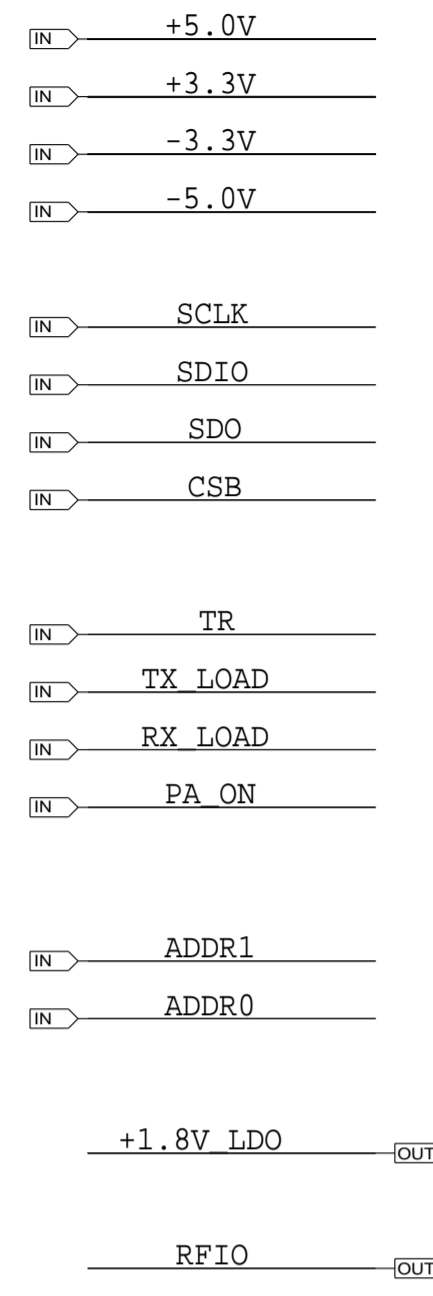
DECOUPLING



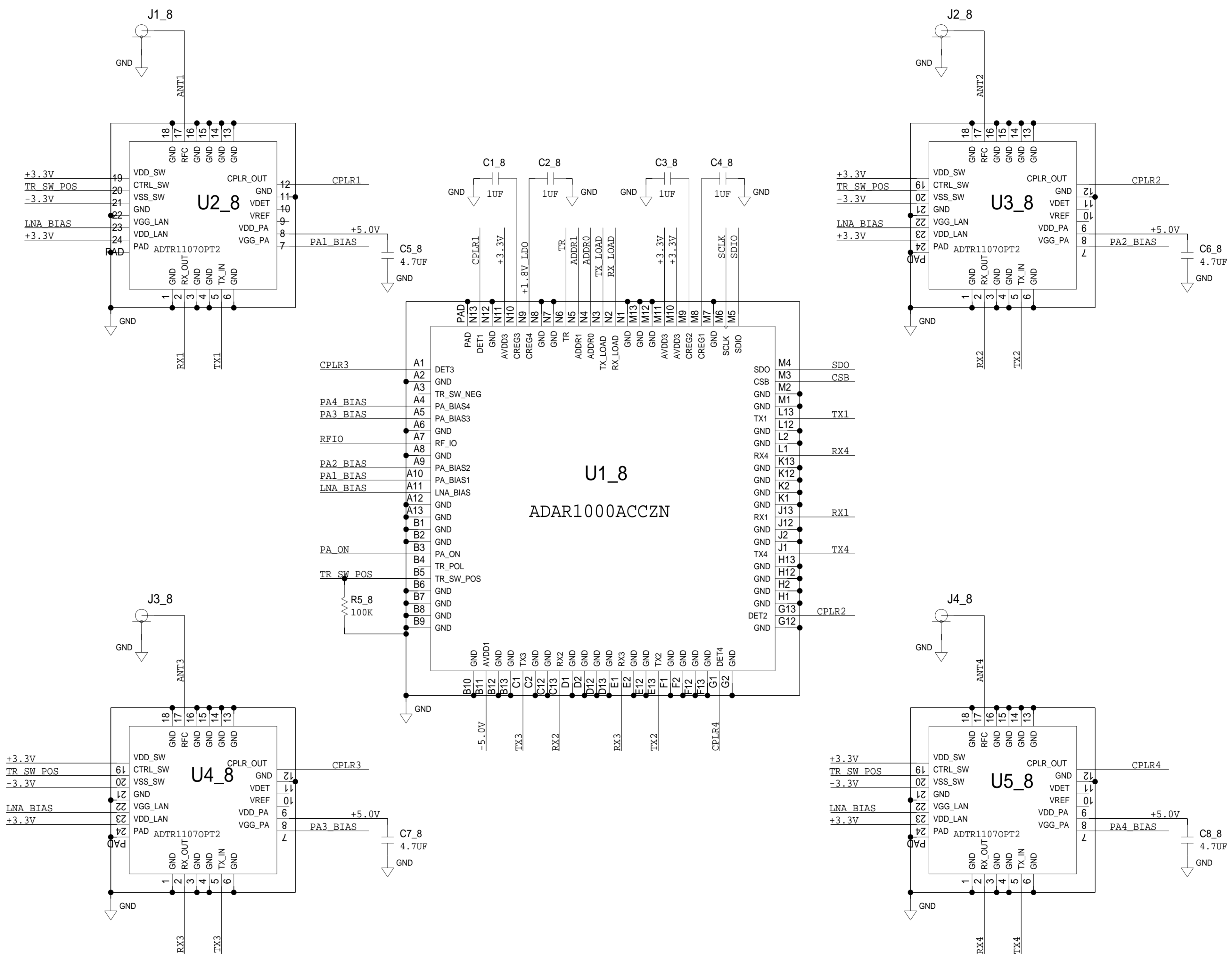
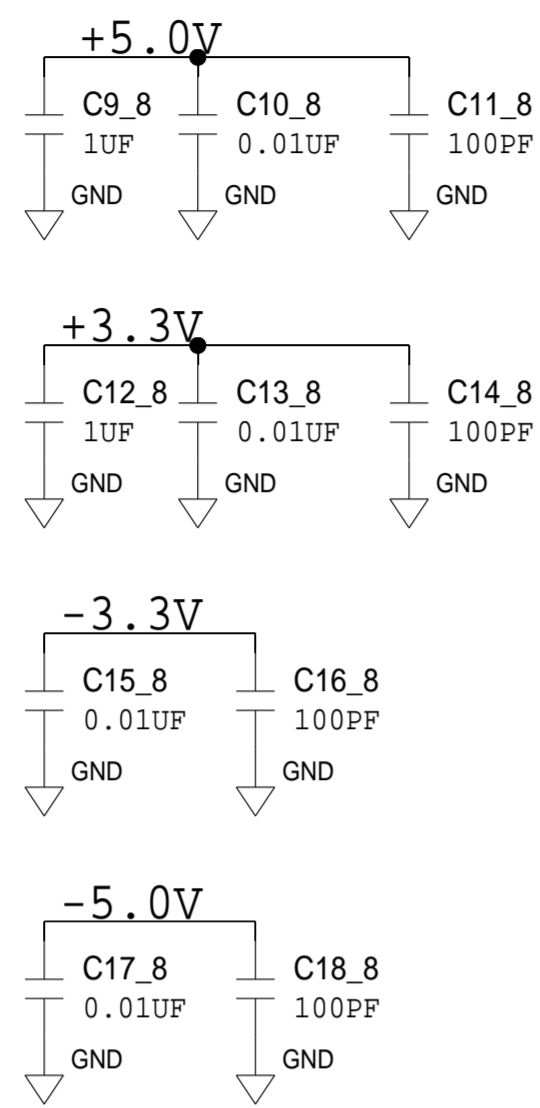
REVISIONS			
REV	DESCRIPTION	DATE	APPROVED

	SCHEMATIC		
	HW TYPE : Customer Evaluation		
	Product(s) : ADAR1000 : ADTR1107		
	DESIGN VIEW <DESIGN_VIEW>	DRAWING NO. 02_059522	REV A
PTD ENGINEER <PTD_ENGINEER>	SIZE D	SCALE 1:1	SHEET 10 OF 18

PAGE IO



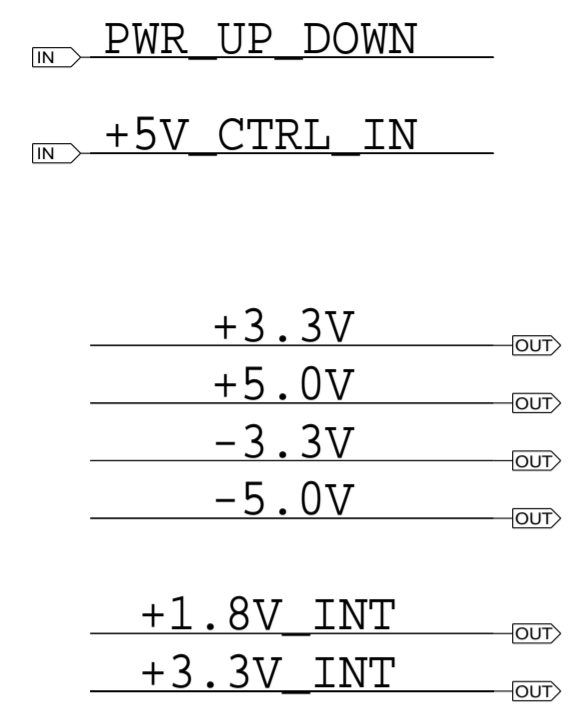
DECOUPLING



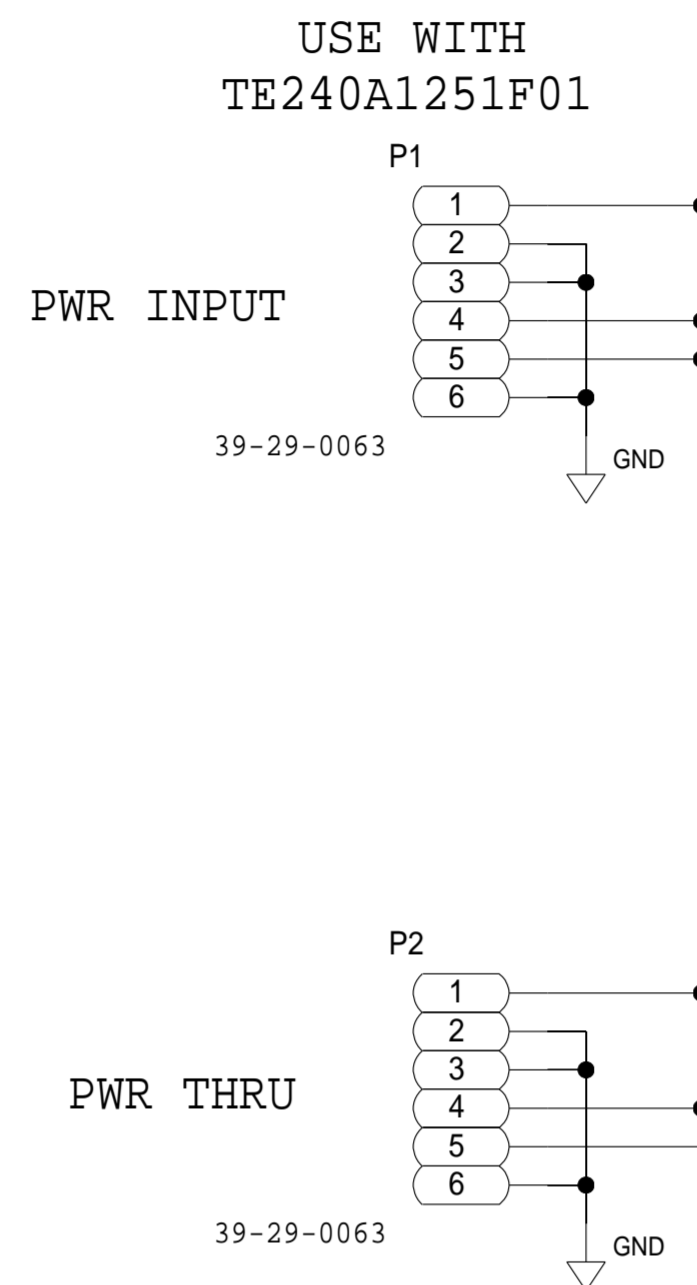
REVISIONS			
REV	DESCRIPTION	DATE	APPROVED

	SCHEMATIC		
	HW TYPE : Customer Evaluation Product(s) : ADAR1000 : ADTR1107		
	DESIGN VIEW <DESIGN_VIEW>	DRAWING NO. 02_059522	REV A
	PTD ENGINEER <PTD_ENGINEER>	SIZE D	SCALE 1:1
		SHEET 11 OF 18	

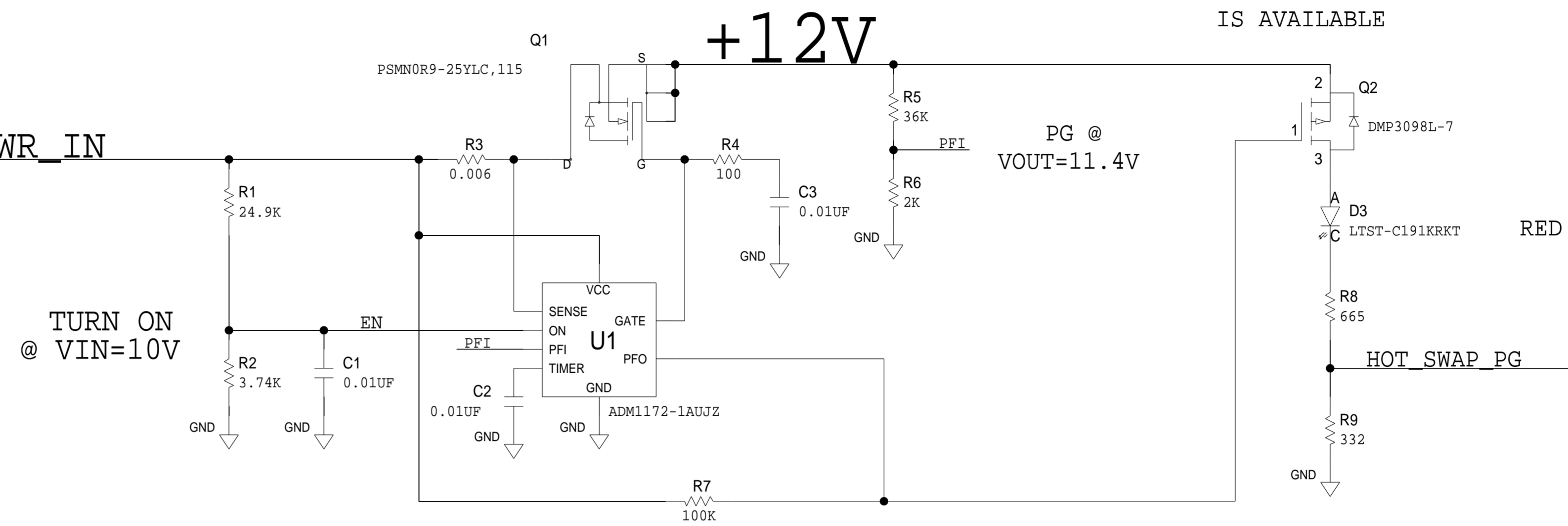
PAGE IO



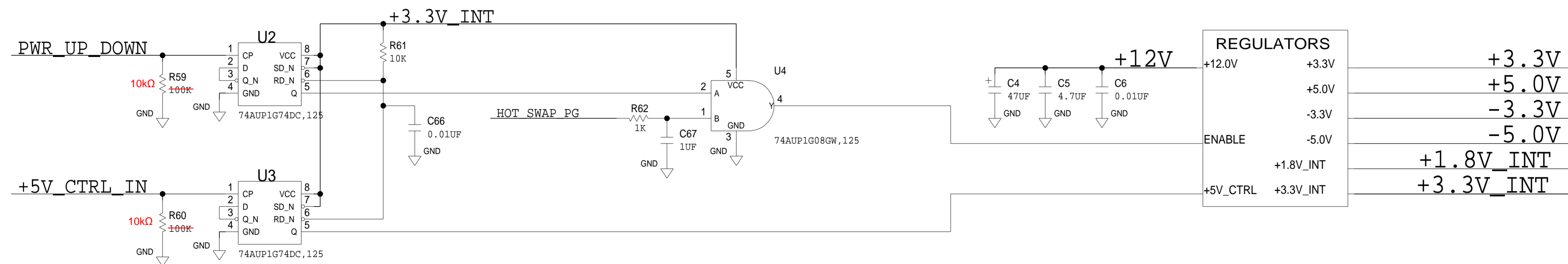
POWER INPUT



HOT SWAP



RAIL GENERATION

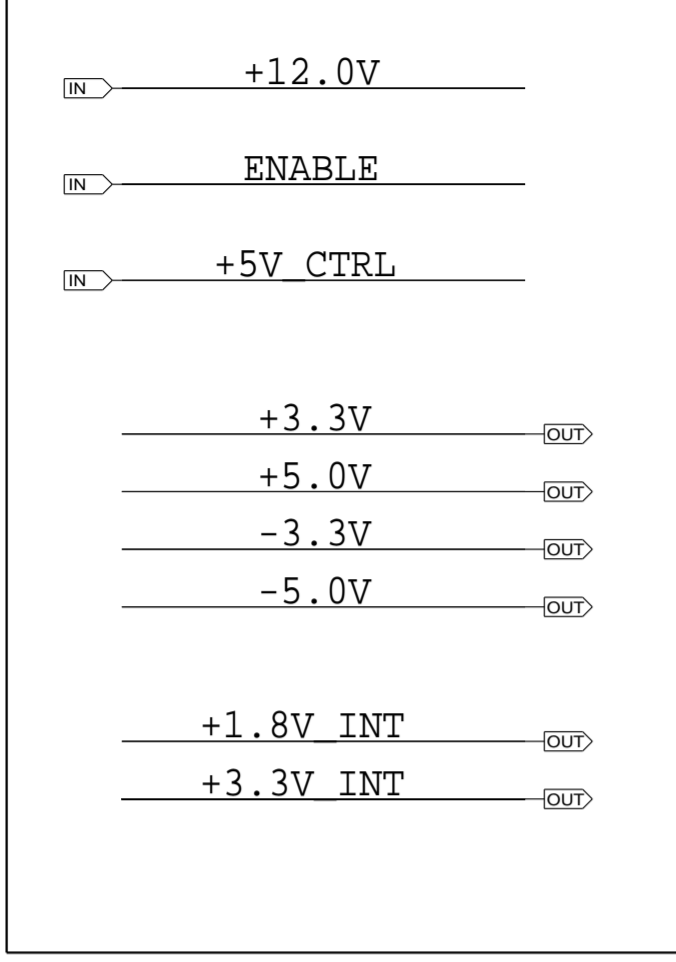


REVISIONS			
REV	DESCRIPTION	DATE	APPROVED

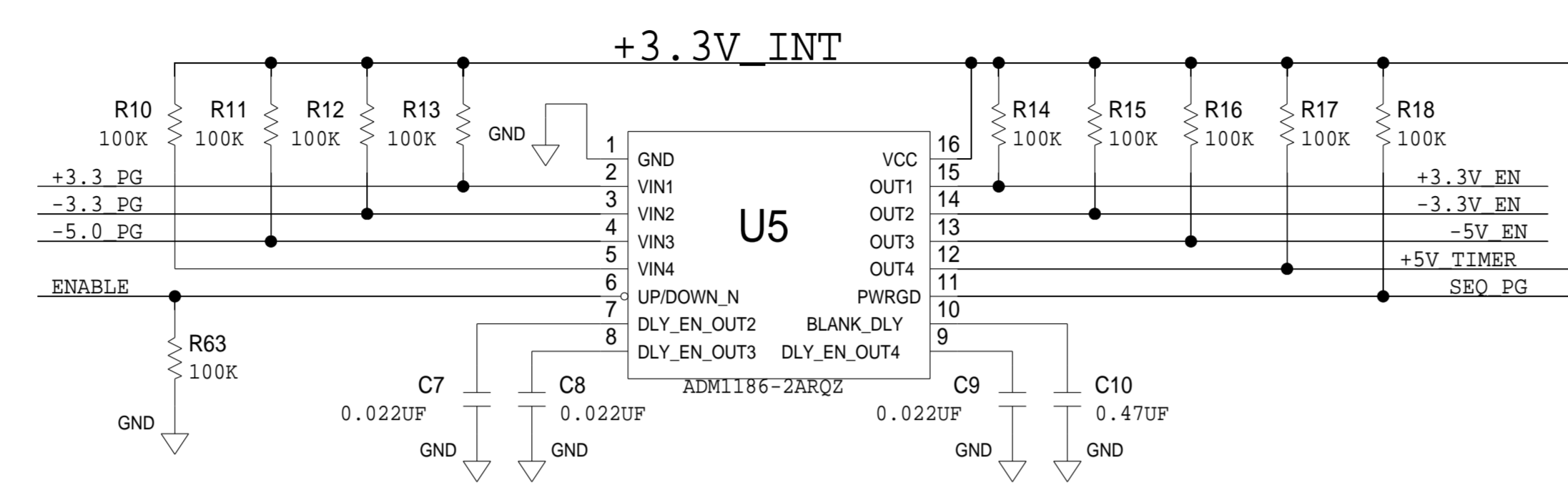
	SCHEMATIC		
	HW TYPE : Customer Evaluation Product(s) : ADAR1000 : ADTR1107		
	DESIGN VIEW <DESIGN_VIEW>	DRAWING NO. 02_059522	REV A
	PTD ENGINEER <PTD_ENGINEER>	SIZE D	SCALE 1:1
		SHEET 12 OF 18	

REVISIONS			
REV	DESCRIPTION	DATE	APPROVED

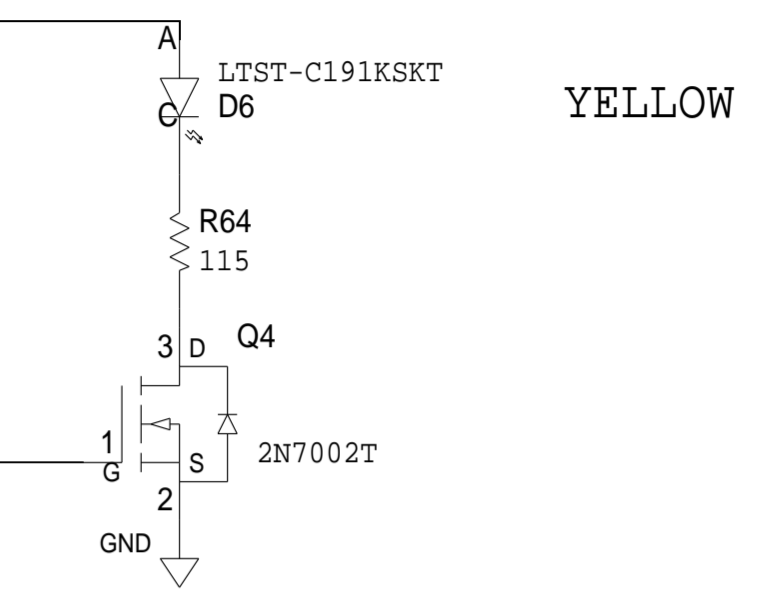
PAGE IO



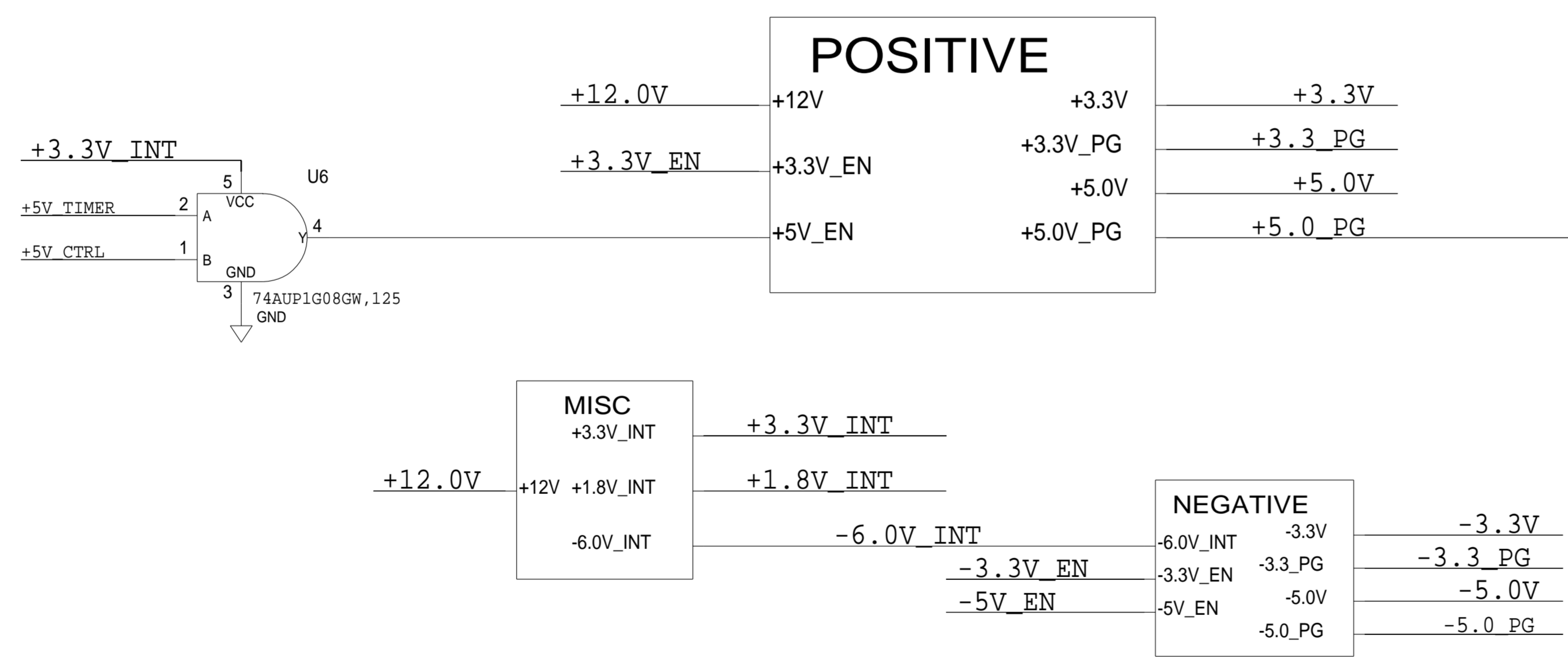
SEQUENCING/MONITORING



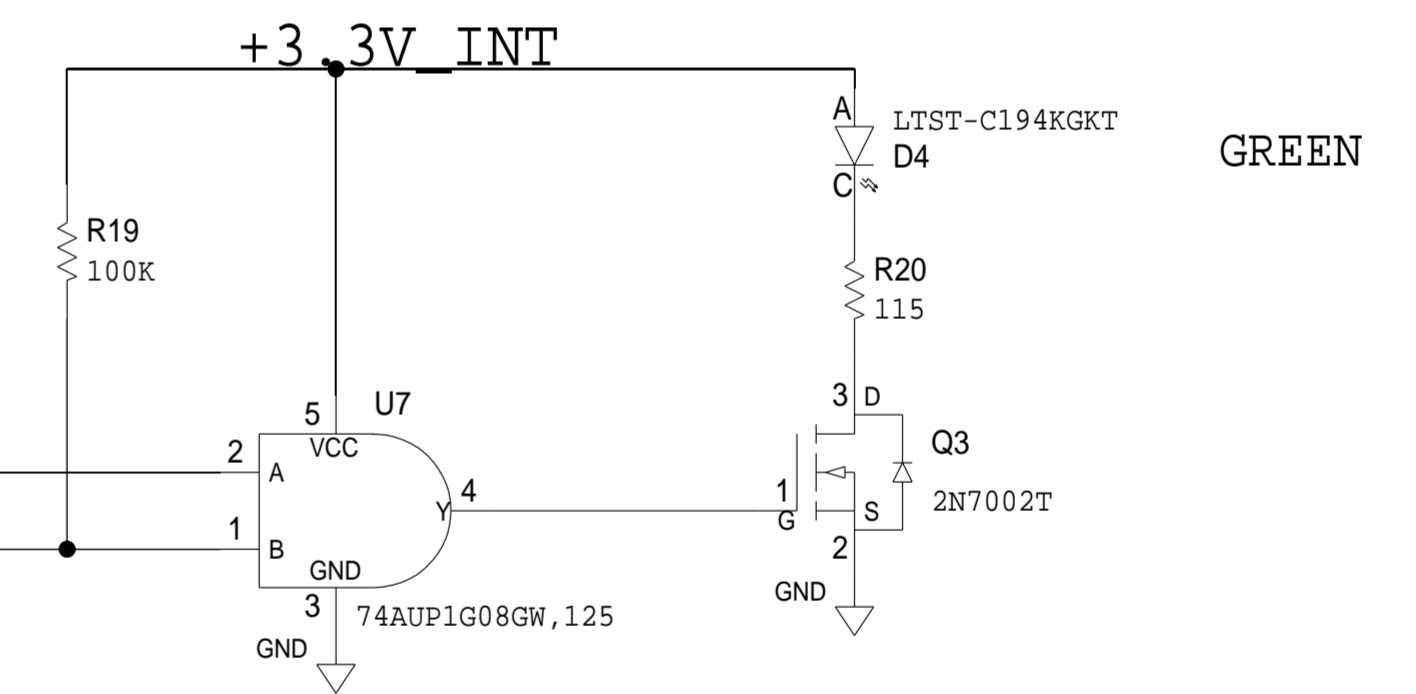
LED ON AFTER INITIAL POWER-UP COMPLETE



RAIL GENERATION



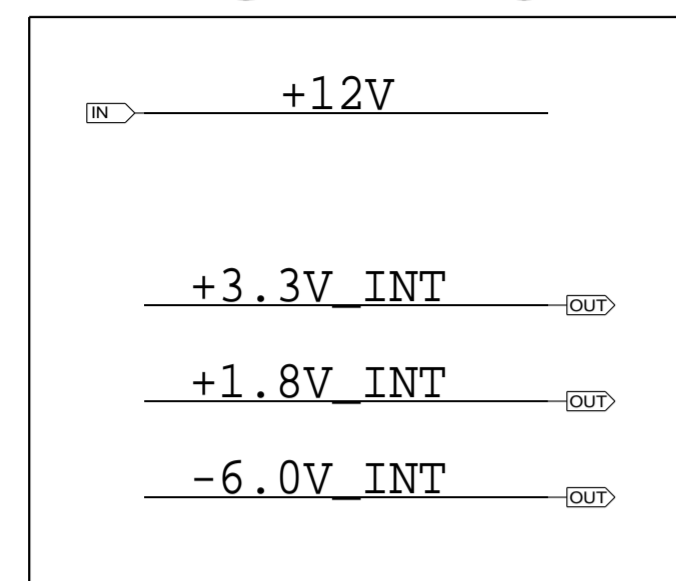
LED ON AFTER ALL RAILS ARE UP



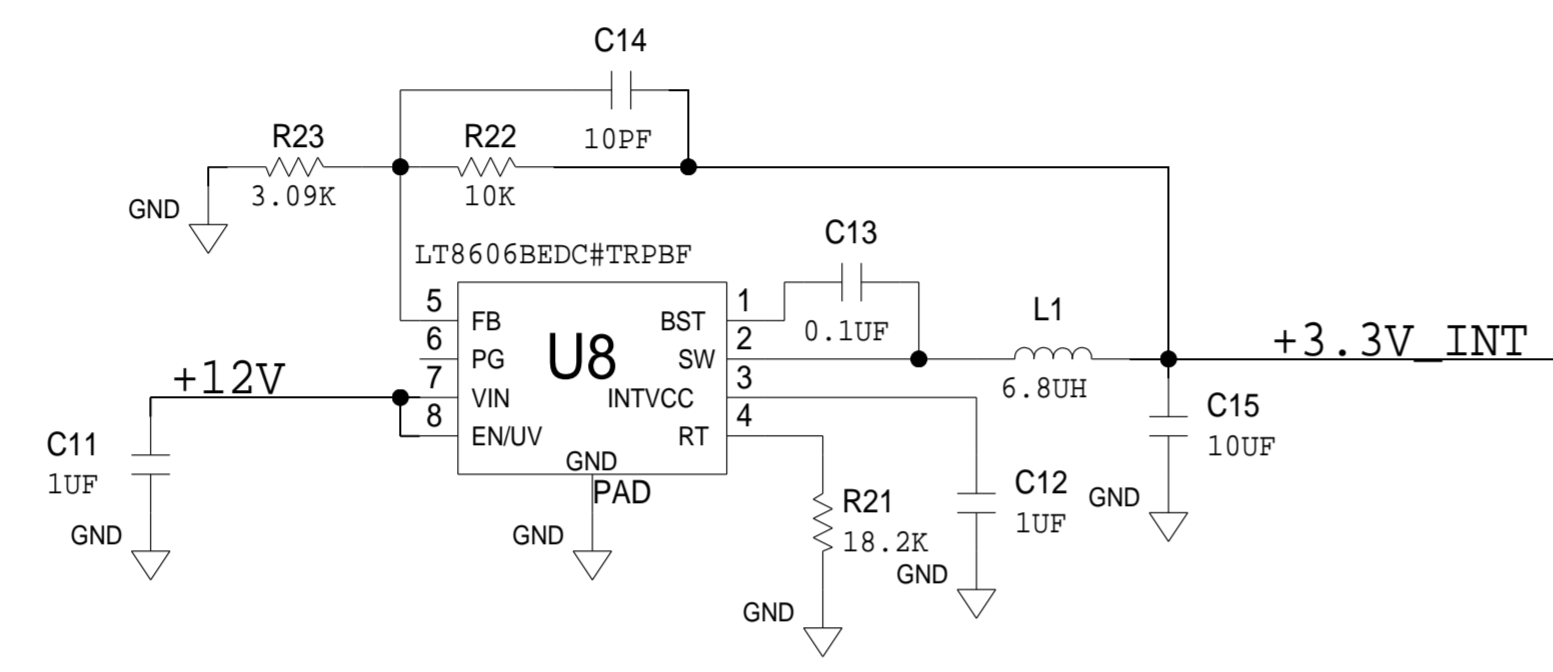
SCHEMATIC			
		HW TYPE : Customer Evaluation Product(s): ADAR1000 : ADTR1107	
DESIGN VIEW <DESIGN_VIEW>	DRAWING NO. 02_059522	REV A	
PTD ENGINEER <PTD_ENGINEER>	SIZE D	SCALE 1:1	SHEET 13 OF 18

REVISIONS			
REV	DESCRIPTION	DATE	APPROVED

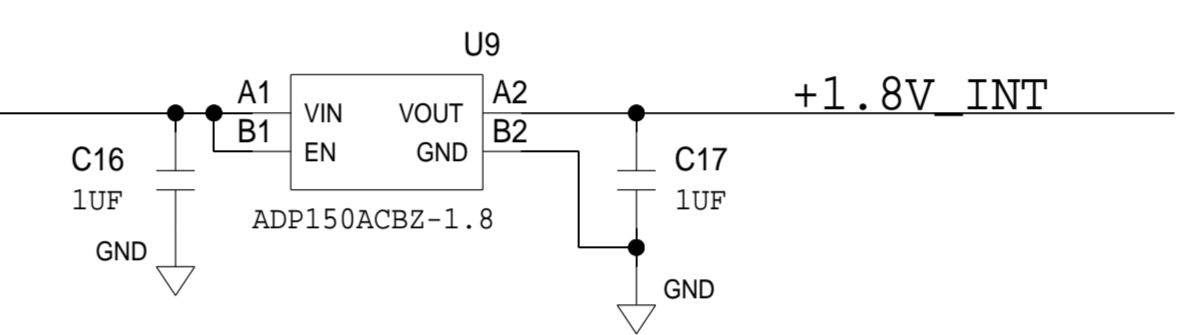
PAGE 10



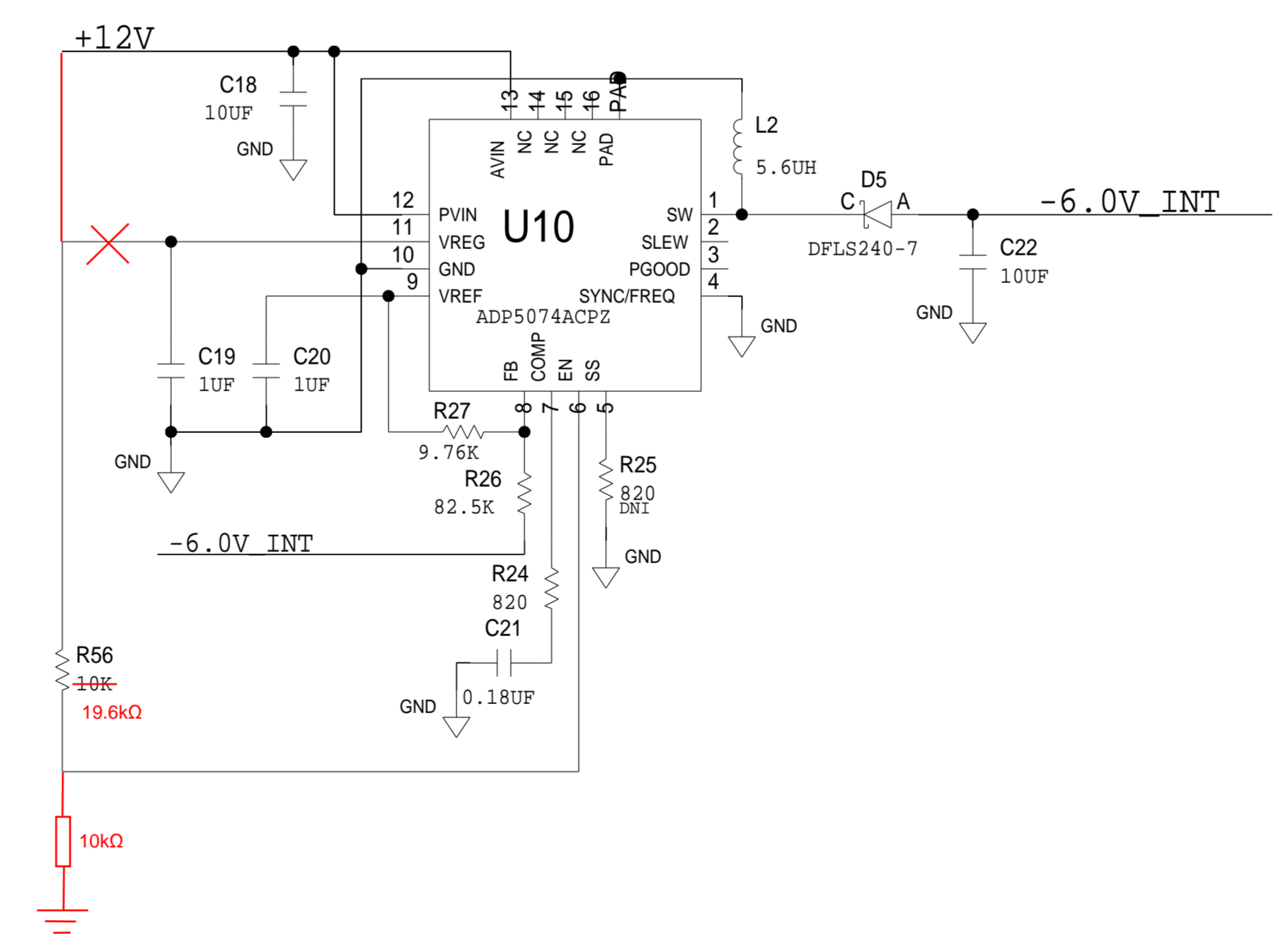
3.3V MISC (350MA)



1.8V MISC (150MA)

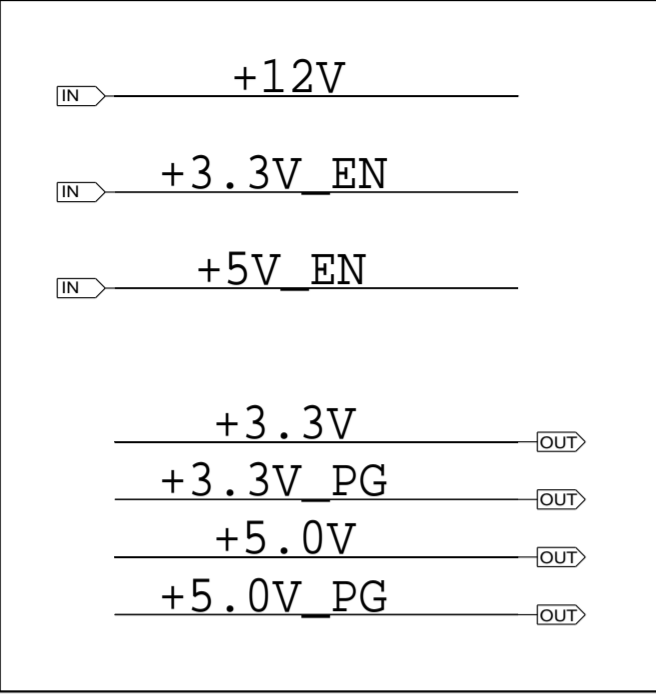


-6.0V MISC (800MA)

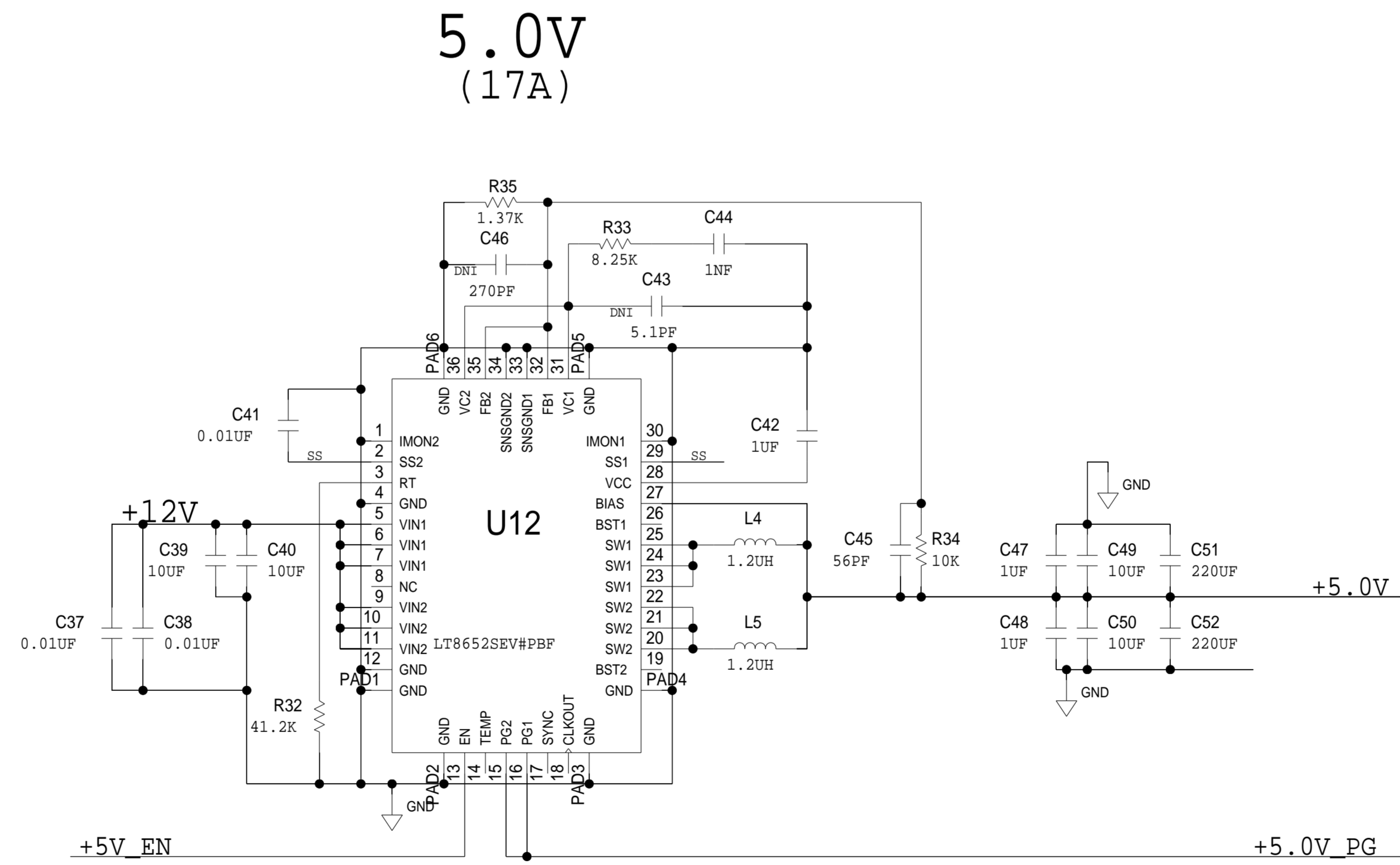
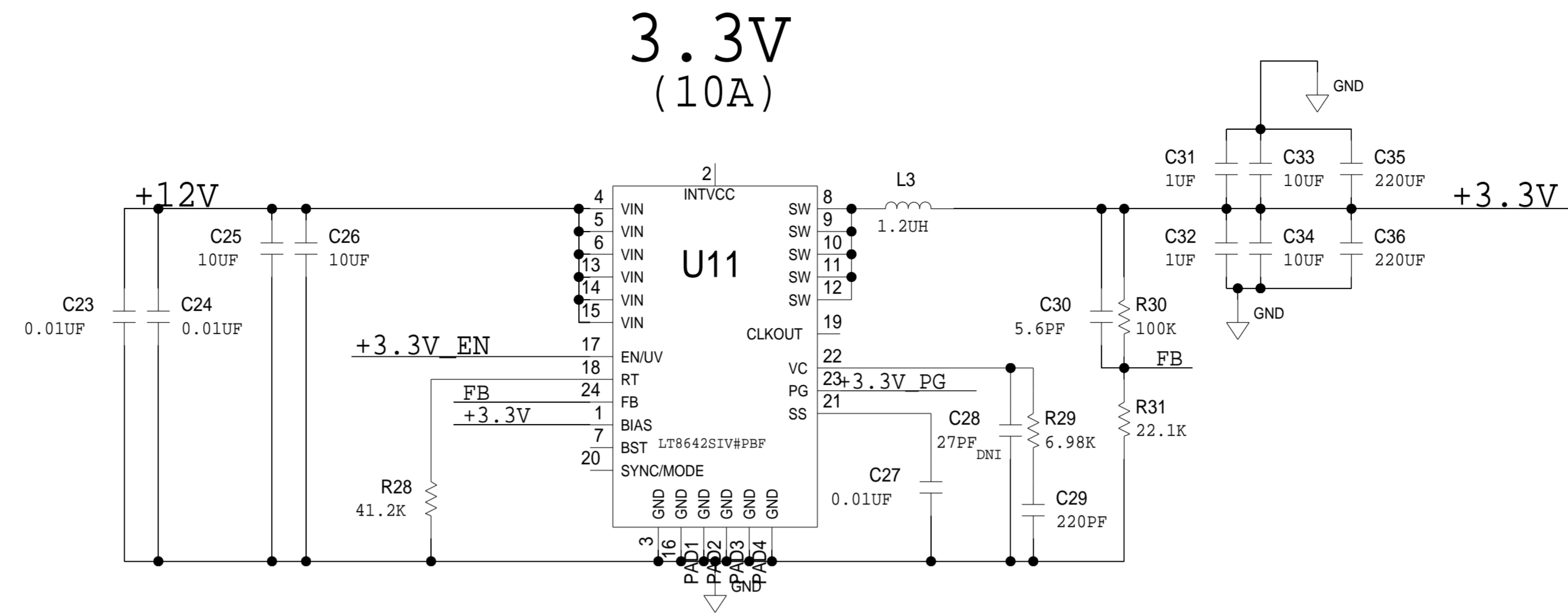


	SCHEMATIC		
	HW TYPE : Customer Evaluation Product(s): ADAR1000 : ADTR1107		
	DESIGN VIEW <DESIGN_VIEW>	DRAWING NO. 02_059522	REV A
	PTD ENGINEER <PTD_ENGINEER>	SIZE D	SCALE 1:1
		SHEET 14 OF 18	

PAGE IO



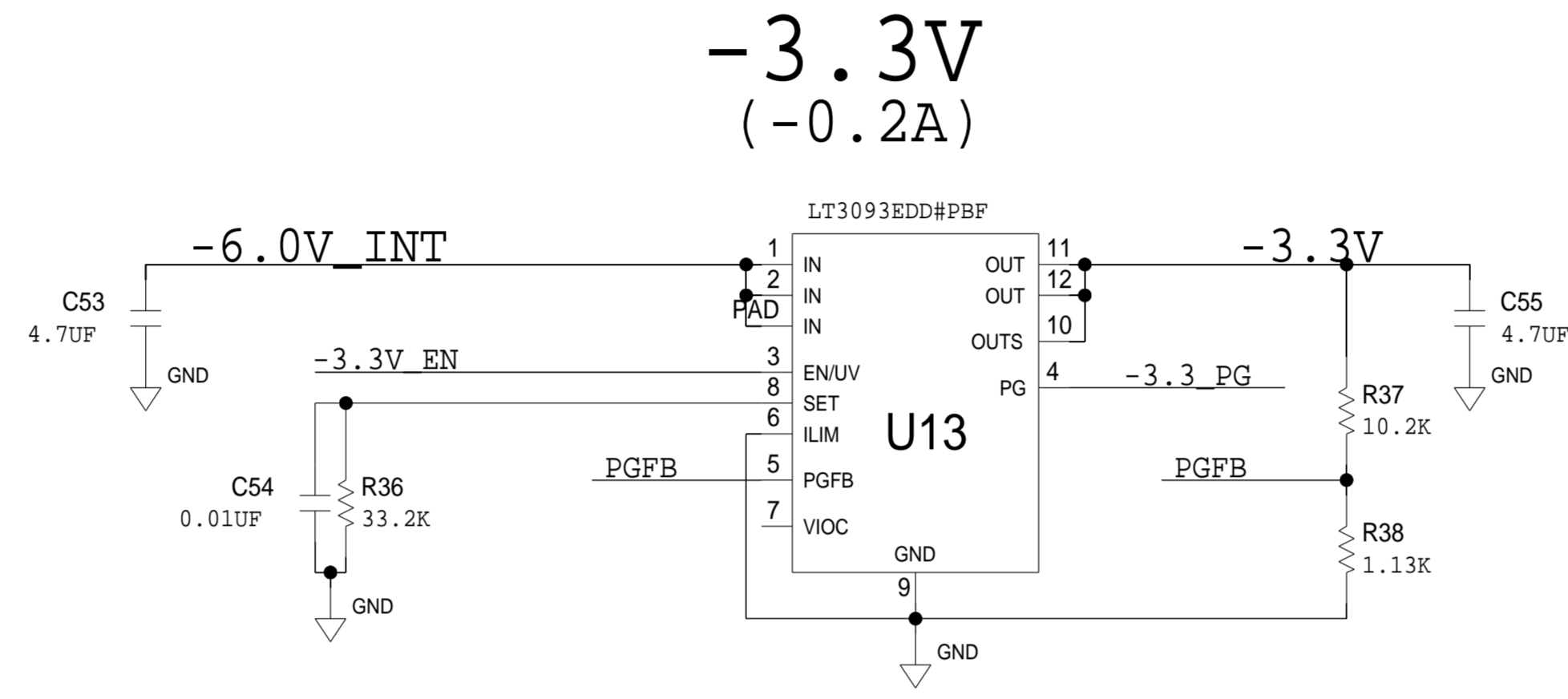
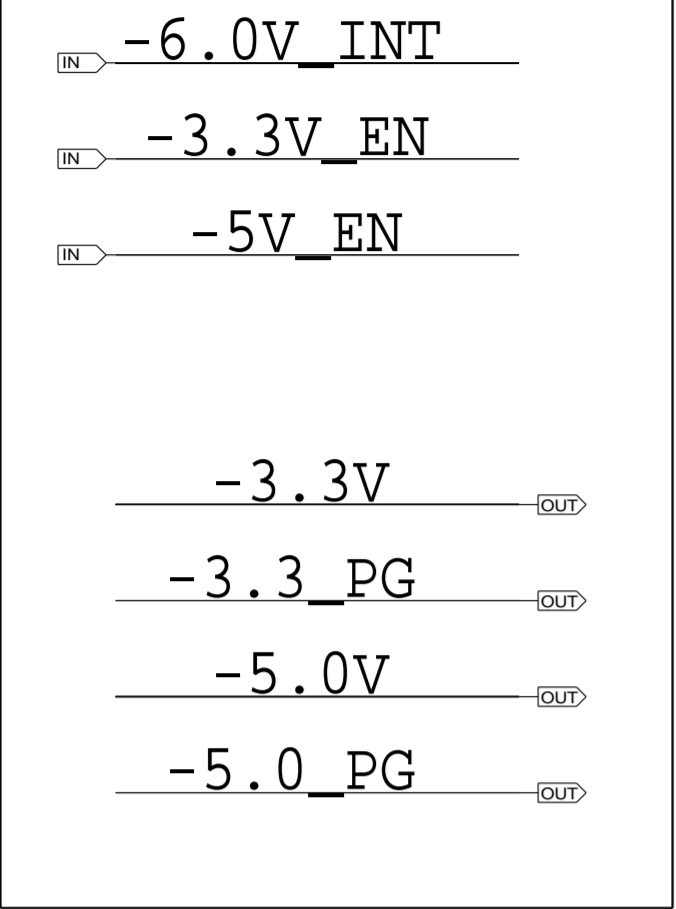
REVISIONS			
REV	DESCRIPTION	DATE	APPROVED



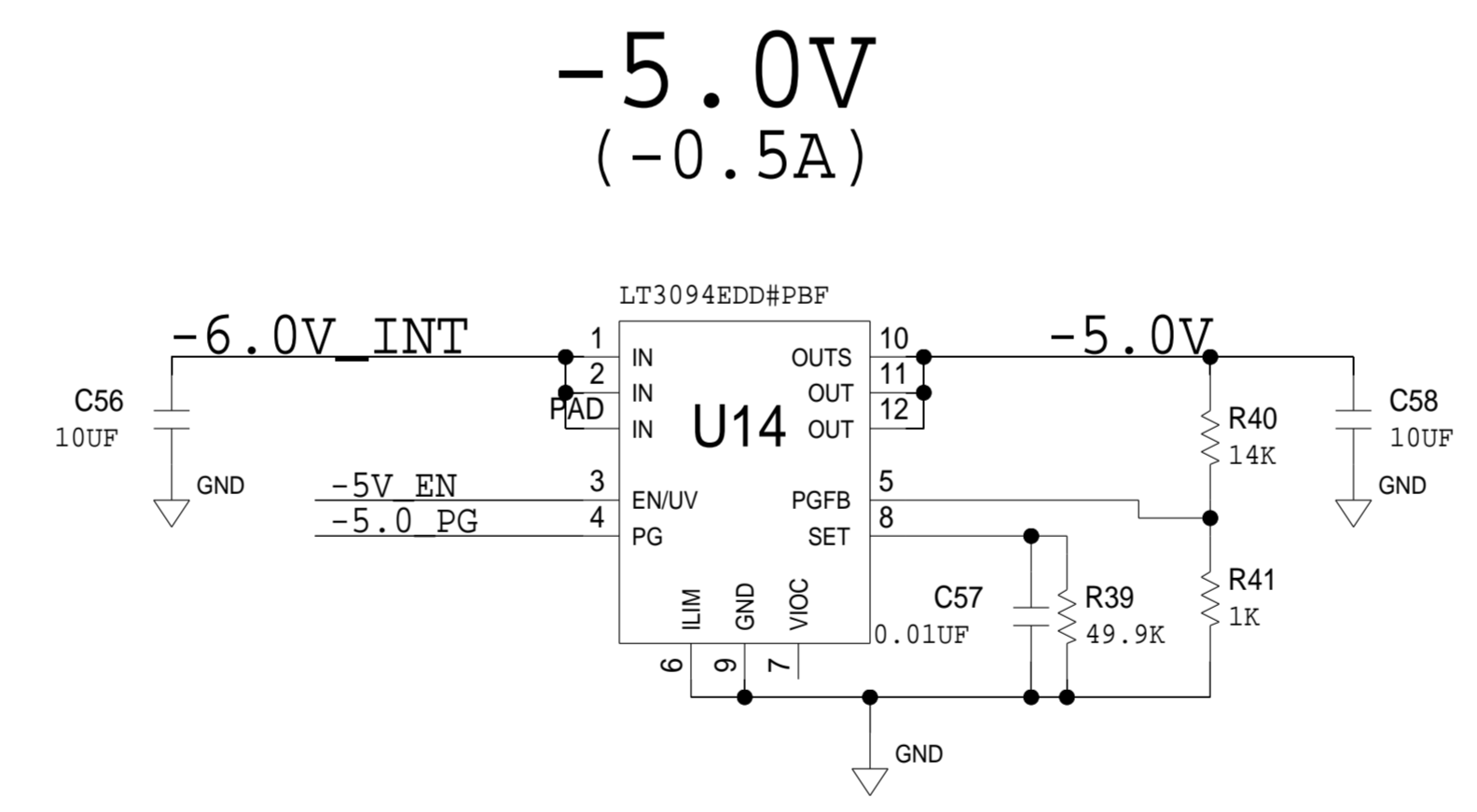
	SCHEMATIC		
	HW TYPE : Customer Evaluation Product(s): ADAR1000 : ADTR1107		
	DESIGN VIEW <DESIGN_VIEW>	DRAWING NO. 02_059522	REV A
	PTD ENGINEER <PTD_ENGINEER>	SIZE D	SCALE 1:1
		SHEET 15 OF 18	

REVISIONS			
REV	DESCRIPTION	DATE	APPROVED

PAGE 10



-3.3V
(-0.2A)

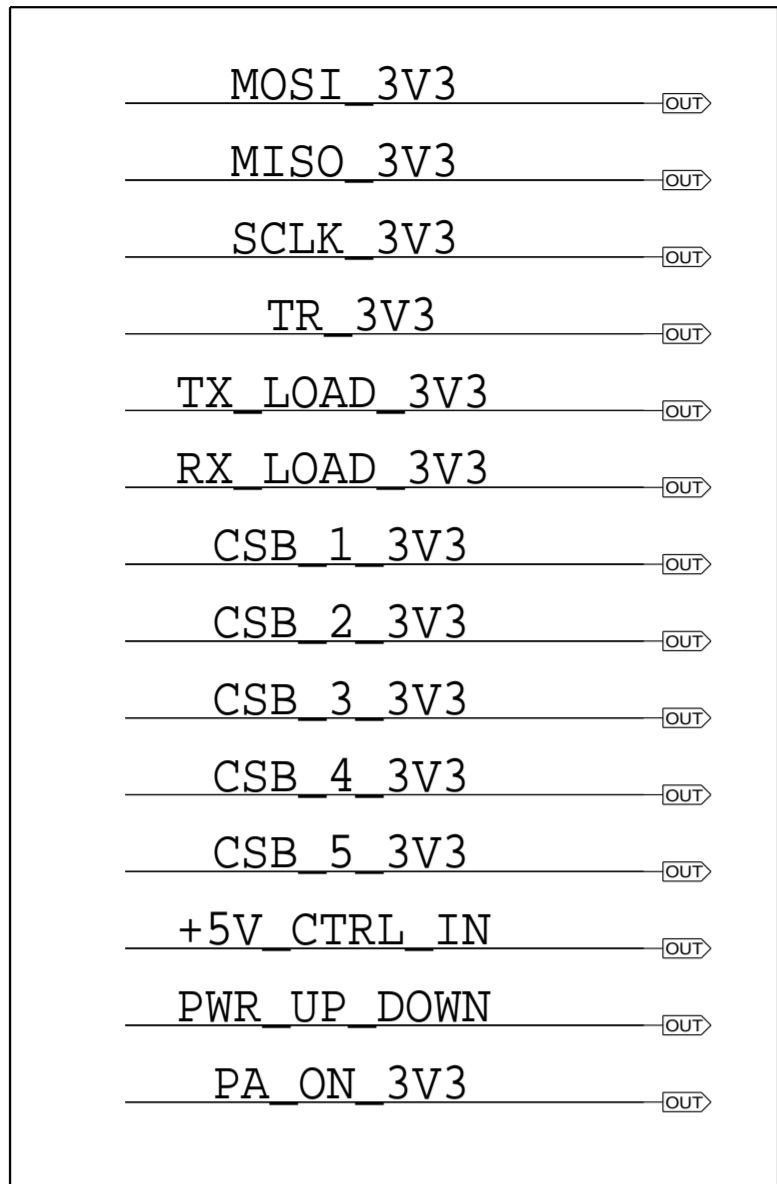


-5.0V
(-0.5A)

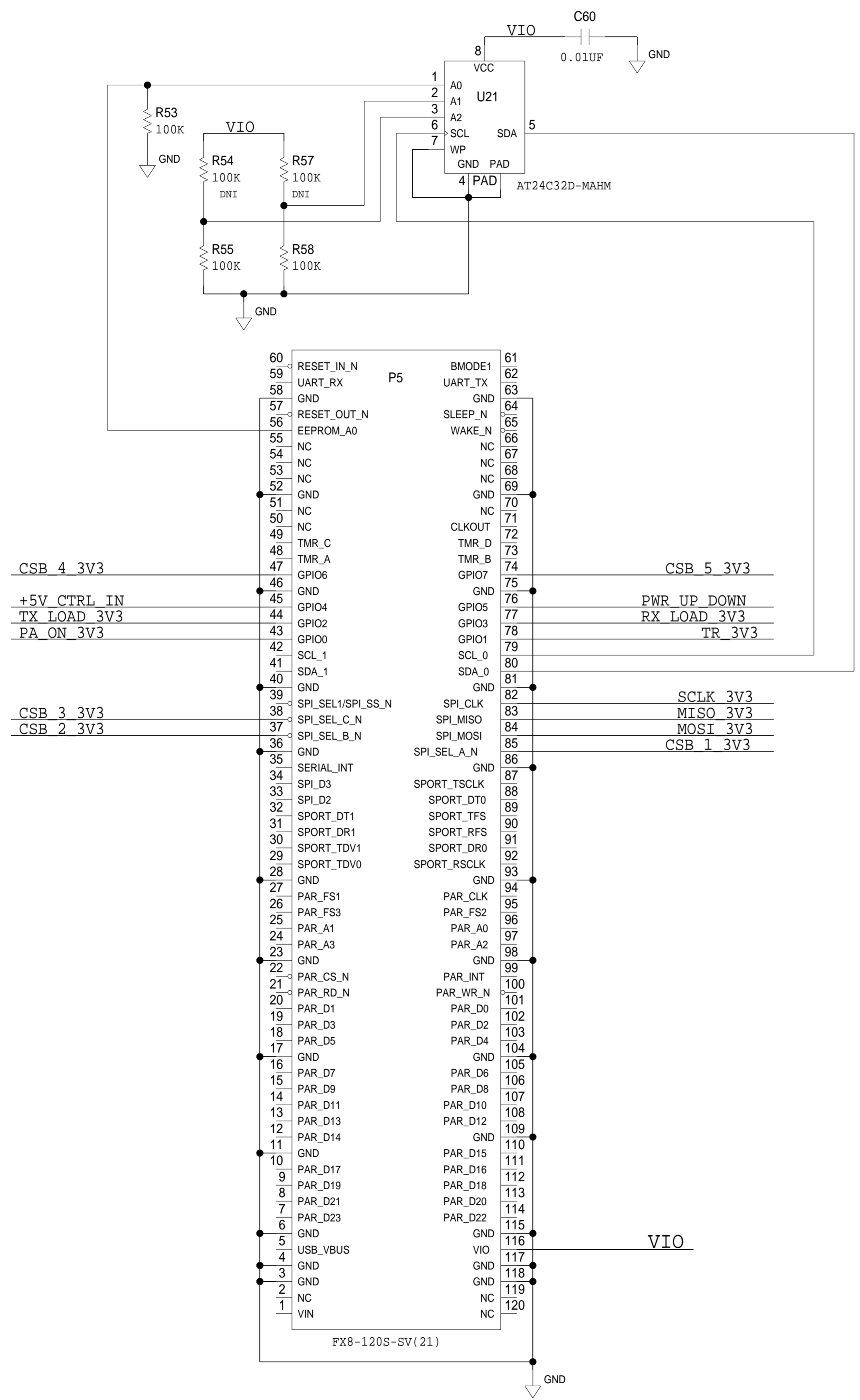
	SCHEMATIC		
	HW TYPE : Customer Evaluation Product(s): ADAR1000 : ADTR1107		
	DESIGN VIEW <DESIGN_VIEW>	DRAWING NO. 02_059522	REV A
	PTD ENGINEER <PTD_ENGINEER>	SIZE D SCALE 1:1 SHEET 16 OF 18	

REVISIONS			
REV	DESCRIPTION	DATE	APPROVED

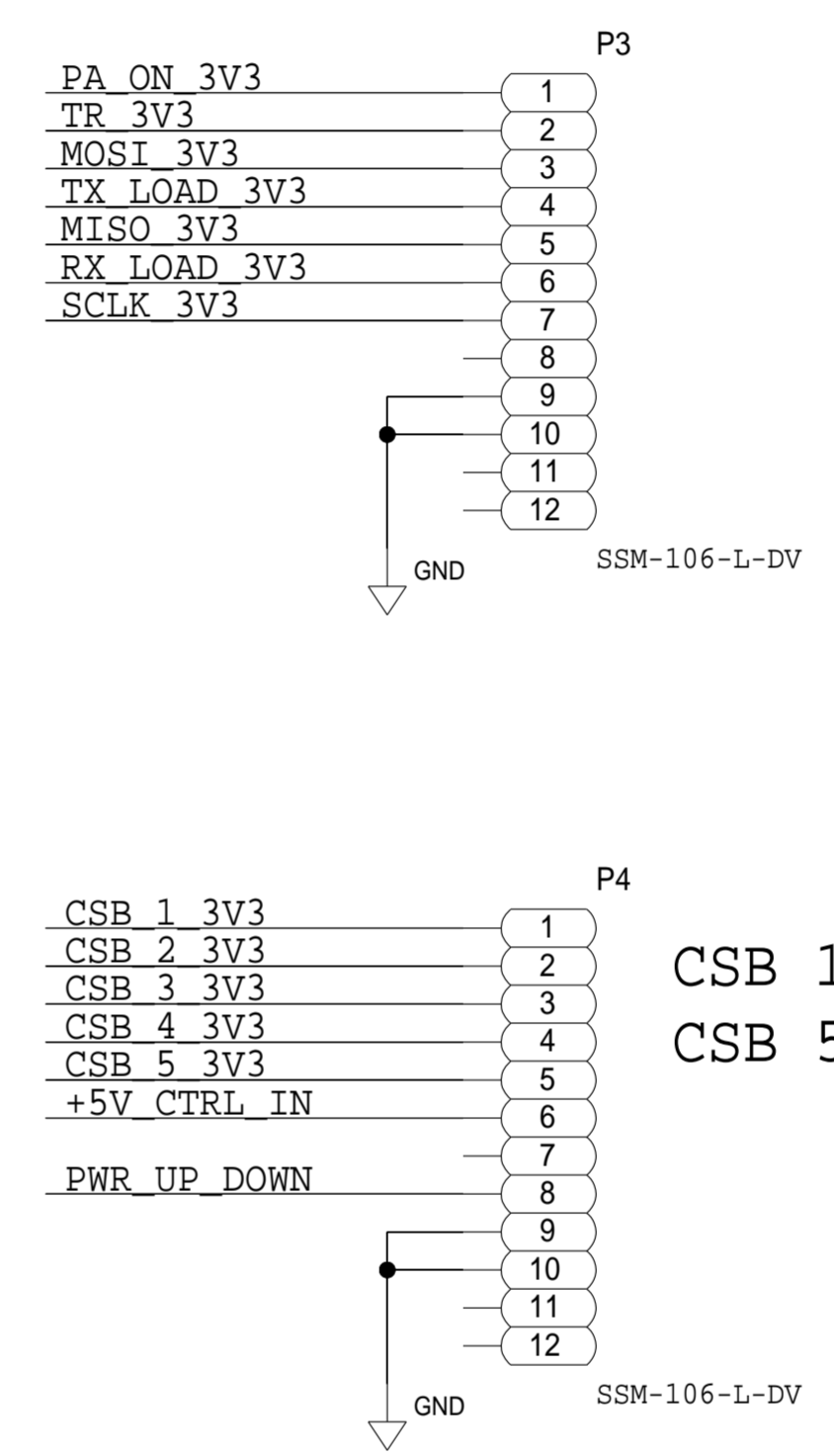
PAGE IO



SDP



PMOD

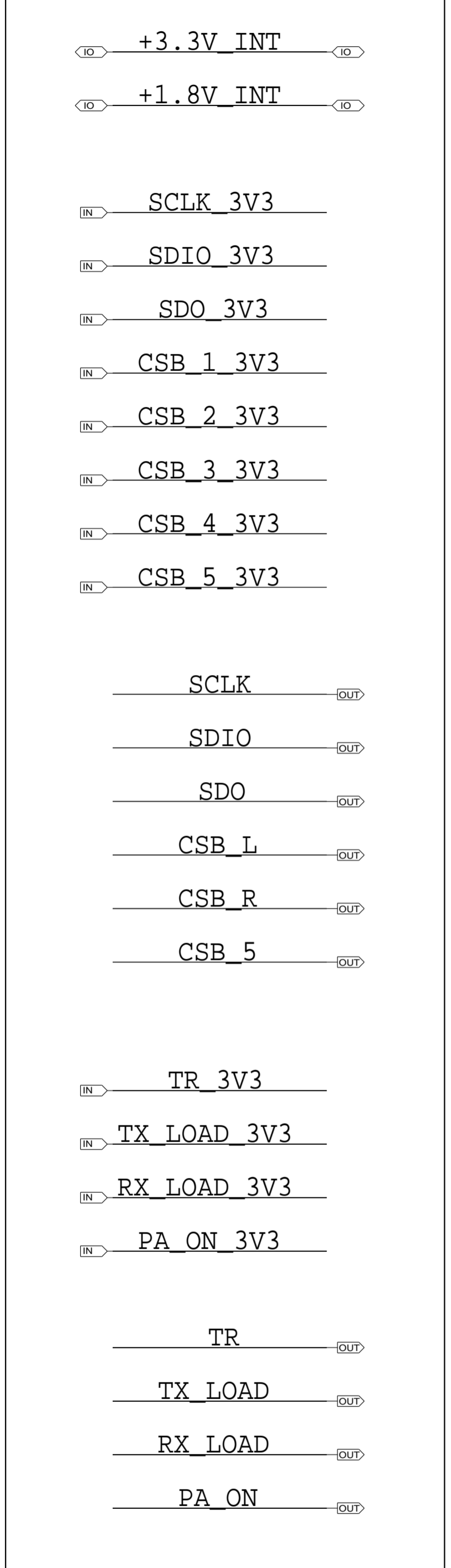


CSB 1-4 USED FOR ADAR1000 PARTS
CSB 5 USED FOR RF DET./ADC COMBO

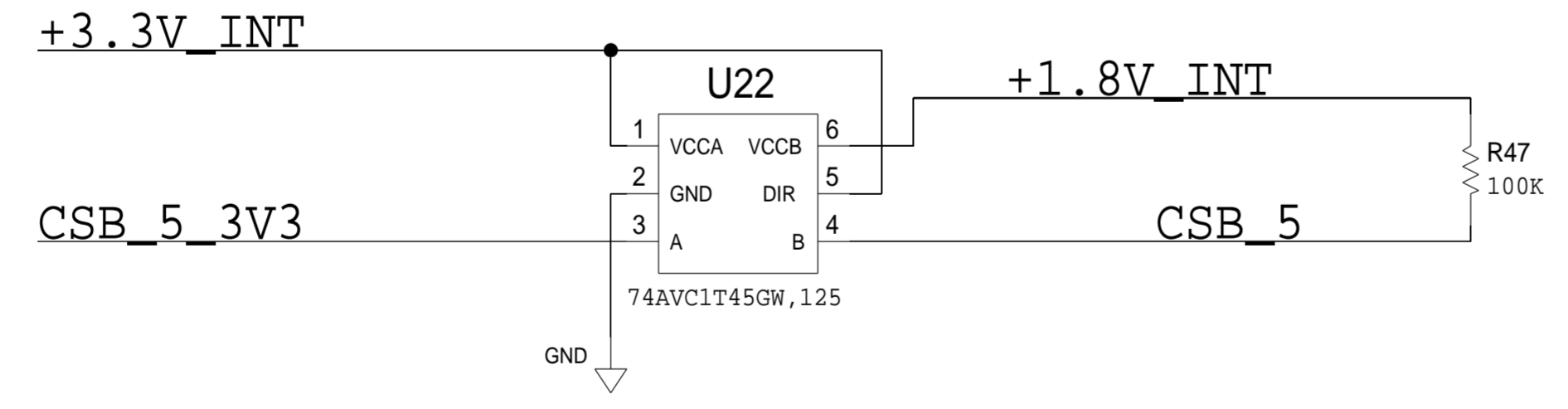
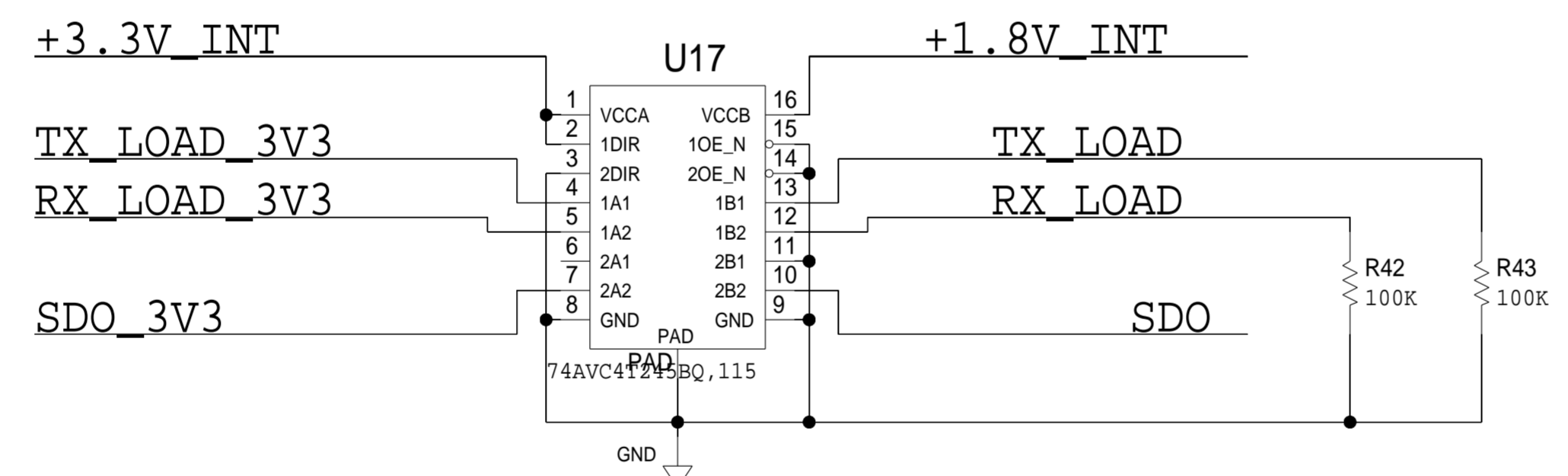
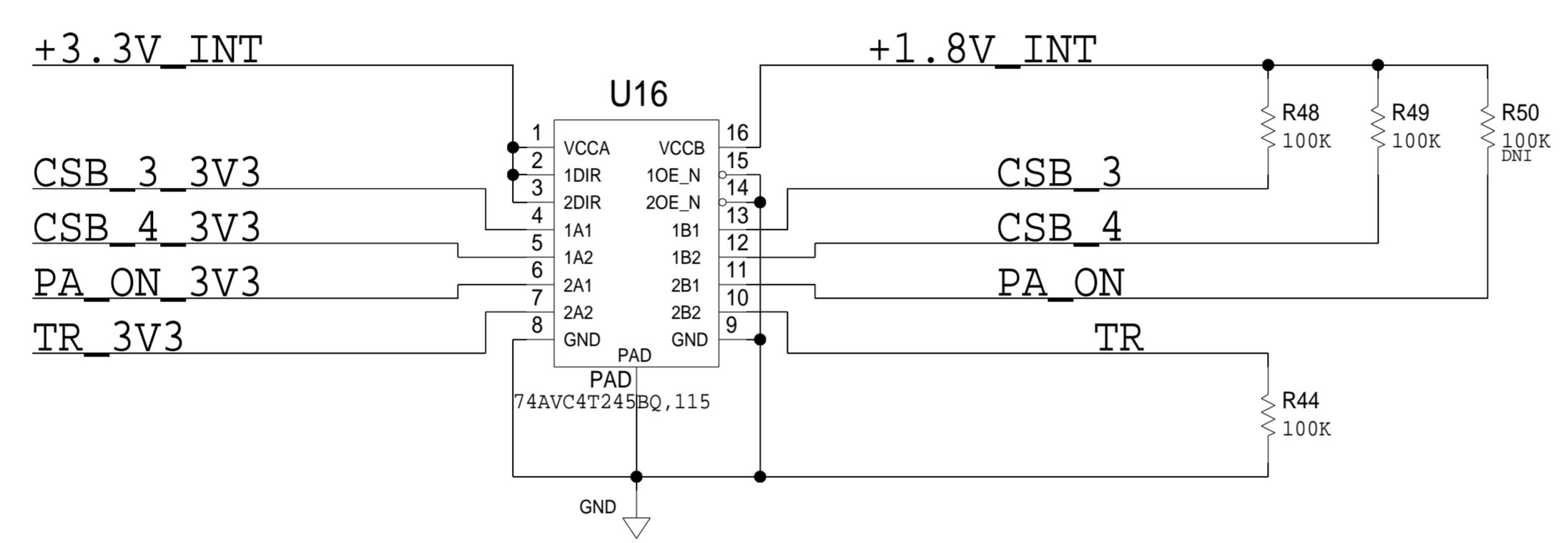
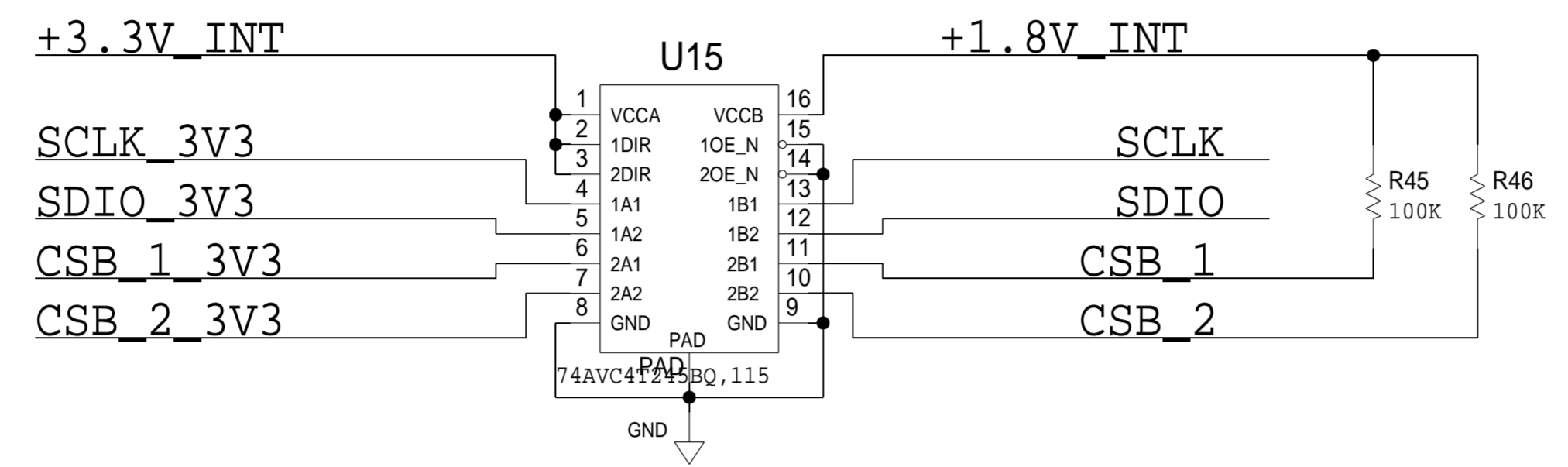
SCHEMATIC			
		HW TYPE : Customer Evaluation Product(s): ADAR1000 : ADTR1107	
<small>THIS DRAWING IS THE PROPERTY OF ANALOG DEVICES INC. IT IS NOT TO BE REPRODUCED OR COPIED, IN WHOLE OR IN PART, OR USED IN FURNISHING INFORMATION TO OTHERS, OR FOR ANY OTHER PURPOSE DETRIMENTAL TO THE INTERESTS OF ANALOG DEVICES. THE EQUIPMENT SHOWN HEREON MAY BE PROTECTED BY PATENTS OWNED OR CONTROLLED BY ANALOG DEVICES.</small>		DESIGN VIEW <DESIGN_VIEW>	DRAWING NO. 02_059522
PTD ENGINEER <PTD_ENGINEER>		SIZE D	SCALE 1:1
SHEET 17 OF 18		REV A	

REVISIONS			
REV	DESCRIPTION	DATE	APPROVED

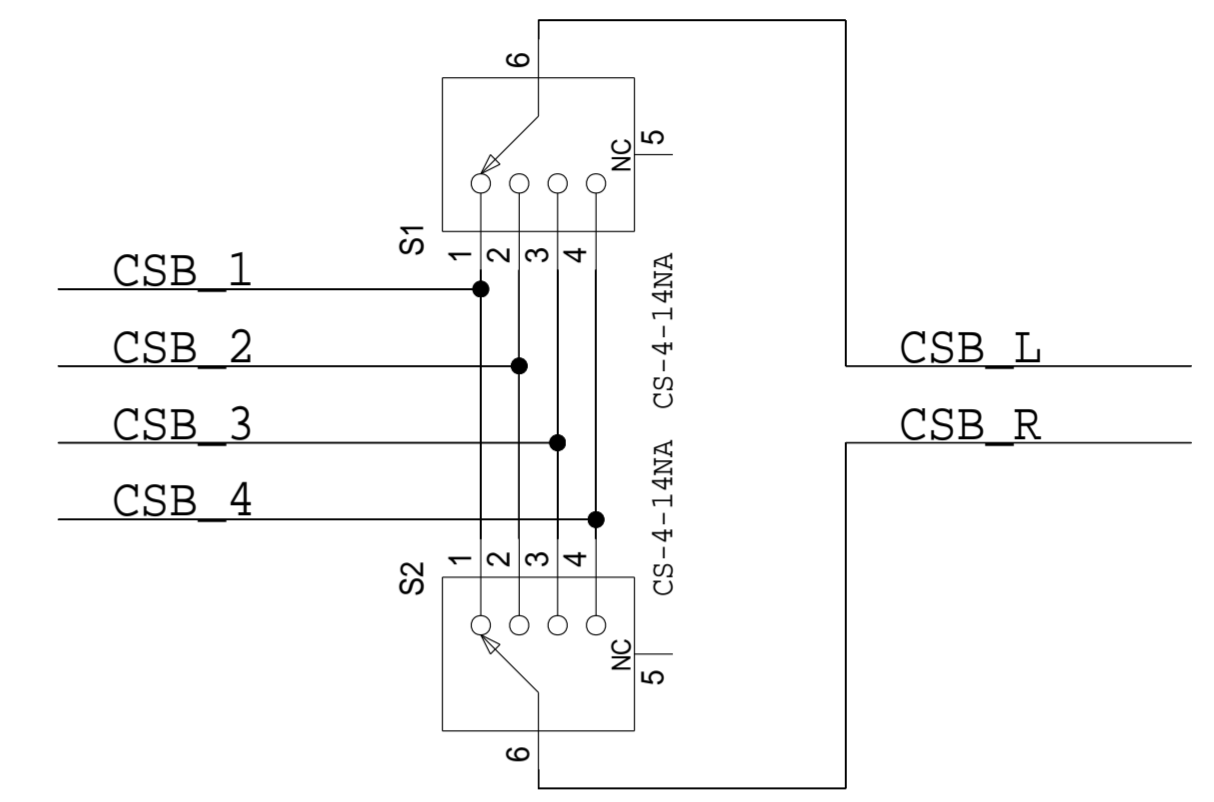
PAGE IO



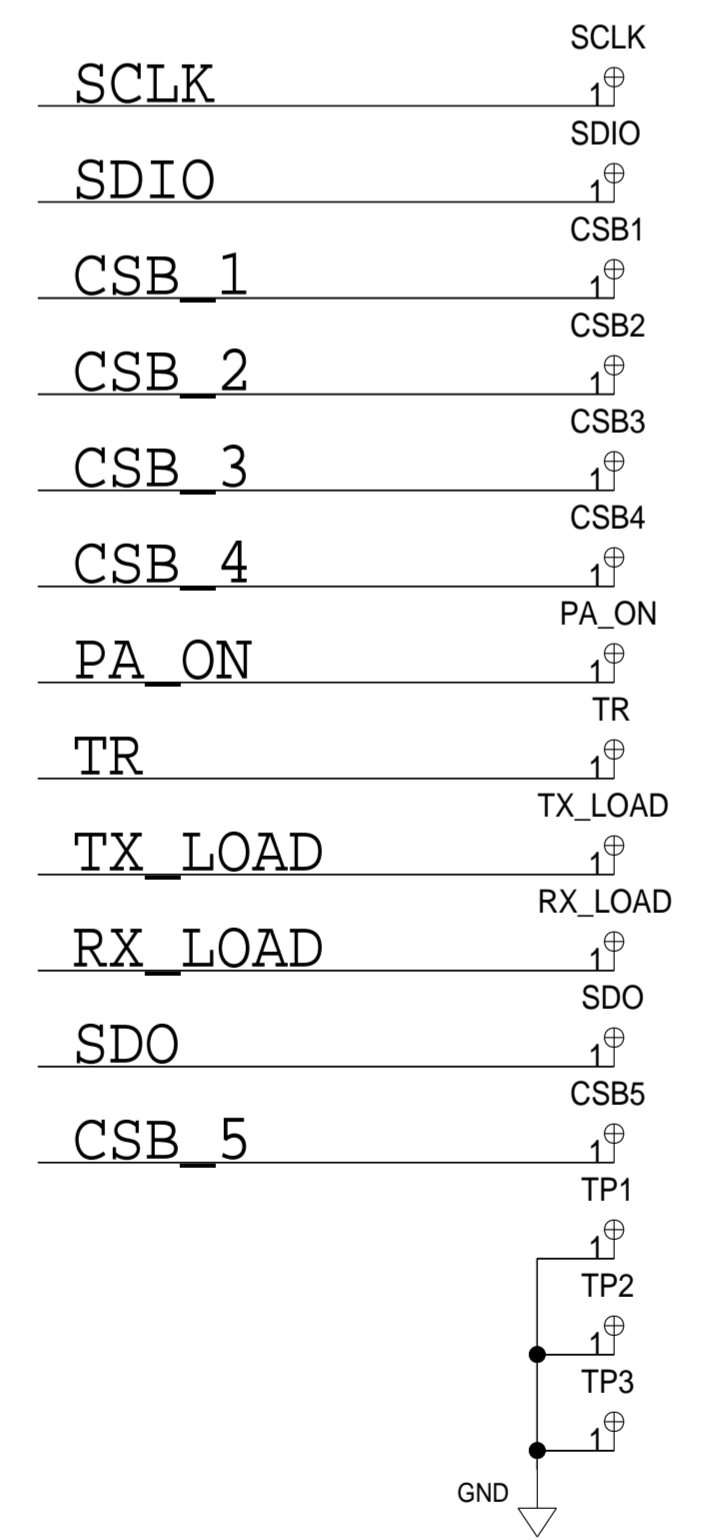
LEVEL SHIFTERS



CSB SELECTORS



TEST POINTS



	SCHEMATIC		
	HW TYPE : Customer Evaluation Product(s): ADAR1000 : ADTR1107		
	DESIGN VIEW <DESIGN_VIEW>	DRAWING NO. 02_059522	REV A
	PTD ENGINEER <PTD_ENGINEER>	SIZE D	SCALE 1:1
		SHEET 18 OF 18	