

8

7

6

5

4

3

2

1

THIS DRAWING IS THE PROPERTY OF ANALOG DEVICES INC. IT IS NOT TO BE REPRODUCED OR COPIED, IN WHOLE OR IN PART, OR USED IN FURNISHING INFORMATION TO OTHERS, OR FOR ANY OTHER PURPOSE DETRIMENTAL TO THE INTERESTS OF ANALOG DEVICES. THE EQUIPMENT SHOWN HEREON MAY BE PROTECTED BY PATENTS OWNED OR CONTROLLED BY ANALOG DEVICES.

JUMPER TABLE

REVISIONS

JP#	ON	OFF
1		
2		
3		
4		
5		

REV	DESCRIPTION	DATE	APPROVED
A	INITIAL RELEASE	17JUN20	W. SAPIA
B	CHANGES AS PER ECR-097341	30JUL20	W. SAPIA

RELAY CONTROL CHART

CONTROL	CODE	DEVICE	FUNCTION	CONNECTOR

* SEE ASSEMBLY INSTRUCTIONS

D

D

C

C

B

B

A

A

P.O SPEC.	BK/BD SPEC.	SOCKET OEM	OEM PART#	HANDLER

TEMPLATE ENGINEER -		DATE	<h3 style="text-align: center;">SCHEMATIC</h3>	
HARDWARE SERVICES -				
HARDWARE SYSTEMS -			HW TYPE : Customer Evaluation Z Product(s): ADAR1000 : ADTR1107	
TEST ENGINEER -			PACKAGE : LeadCount-lead BodySize PackageType-family : Pitch-pitch StyleVendor Style	
COMPONENT ENGINEER -			<User Define> <User Define> <User Define>	
TEST PROCESS -				
HARDWARE RELEASE -				
DESIGNER -		MASTER PROJECT TEMPLATE TBD	TESTER TEMPLATE no_template	DRAWING NO. 02_059522
PTD ENGINEER <PTD_ENGINEER>		UNLESS OTHERWISE SPECIFIED DIMENSIONS ARE IN INCHES TOLERANCES		REV. B
CHECKER -		DECIMALS X.XX +0.010 X.XXX +0.005	FRACTIONS +1/32	ANGLES +2
		SIZE	SCALE	CODE ID NO. CodeID
		D	1:1	SHEET 1 OF 19

8

7

6

5

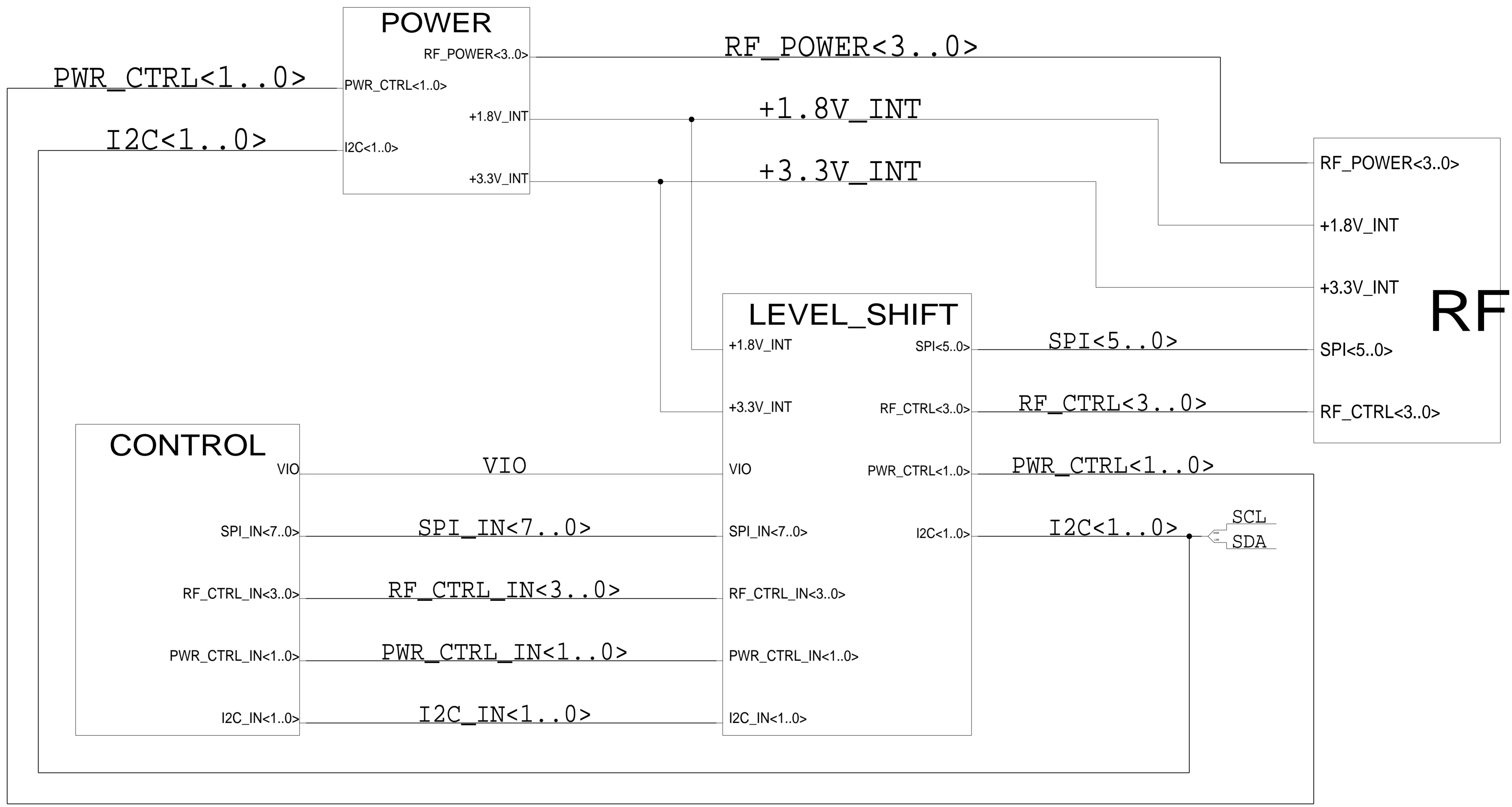
4

3

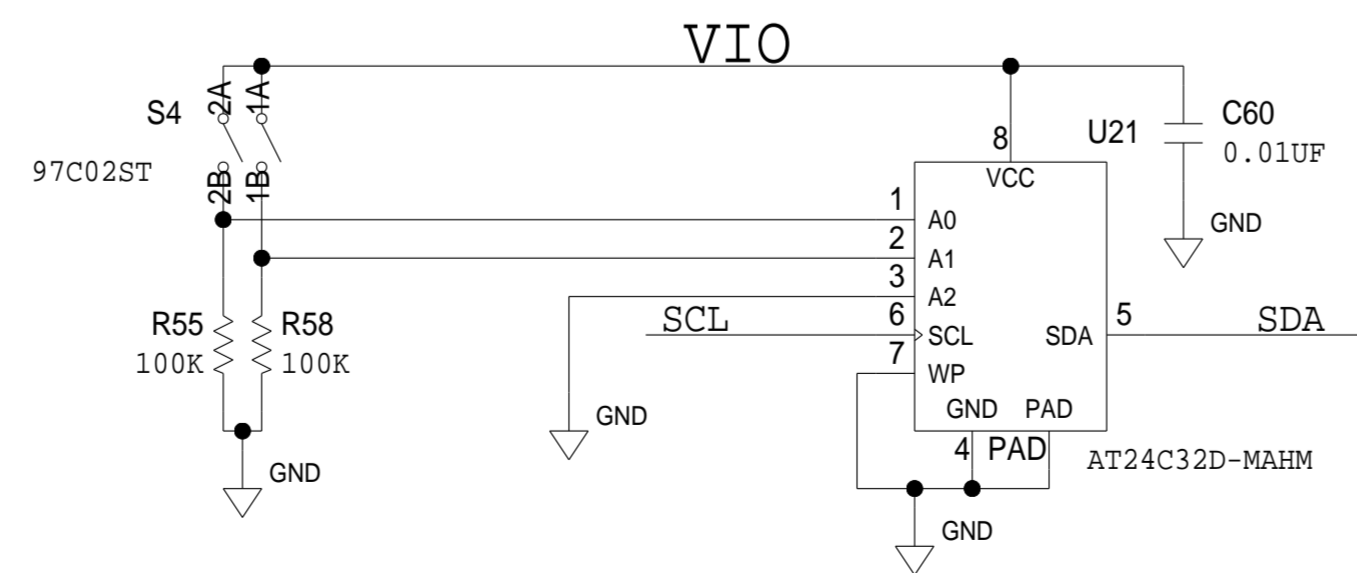
2

1

REVISIONS			
REV	DESCRIPTION	DATE	APPROVED



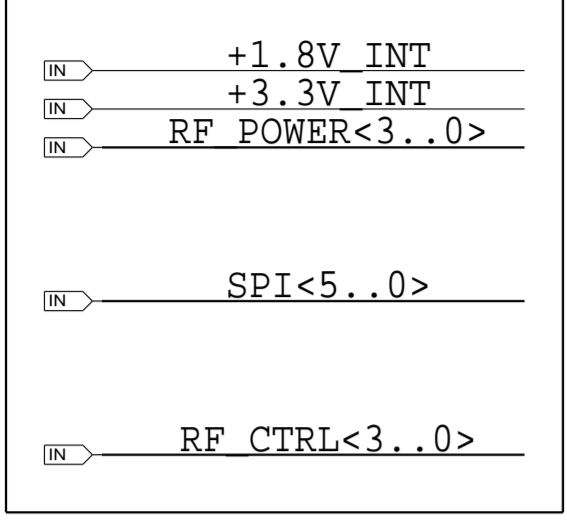
BOARD ADDRESS & EEPROM



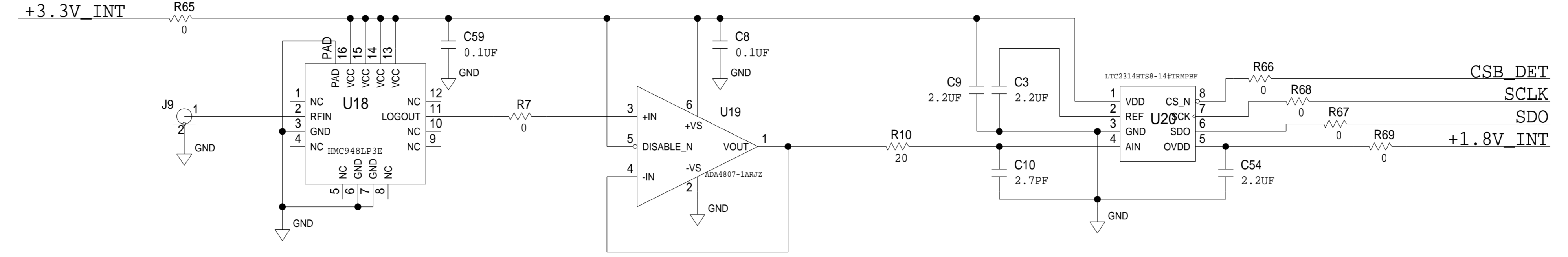
ANALOG DEVICES				SCHEMATIC			
<small>THIS DRAWING IS THE PROPERTY OF ANALOG DEVICES INC. IT IS NOT TO BE REPRODUCED OR COPIED, IN WHOLE OR IN PART, OR USED IN ANY MANNER FOR THE DESIGN, CONSTRUCTION, OR FOR ANY OTHER PURPOSE DETRIMENTAL TO THE INTERESTS OF ANALOG DEVICES. THE EQUIPMENT DESIGN HEREON MAY BE PROTECTED BY PATENTS OWNED OR CONTROLLED BY ANALOG DEVICES.</small>				HW TYPE : Customer Evaluation Z		DRAWING NO. 02_059522	
				Product(s): ADAR1000 : ADTR1107		REV B	
DESIGN VIEW <DESIGN_VIEW>		PTD ENGINEER <PTD_ENGINEER>		SIZE D	SCALE 1:1	SHEET 2 OF 19	

REVISIONS			
REV	DESCRIPTION	DATE	APPROVED

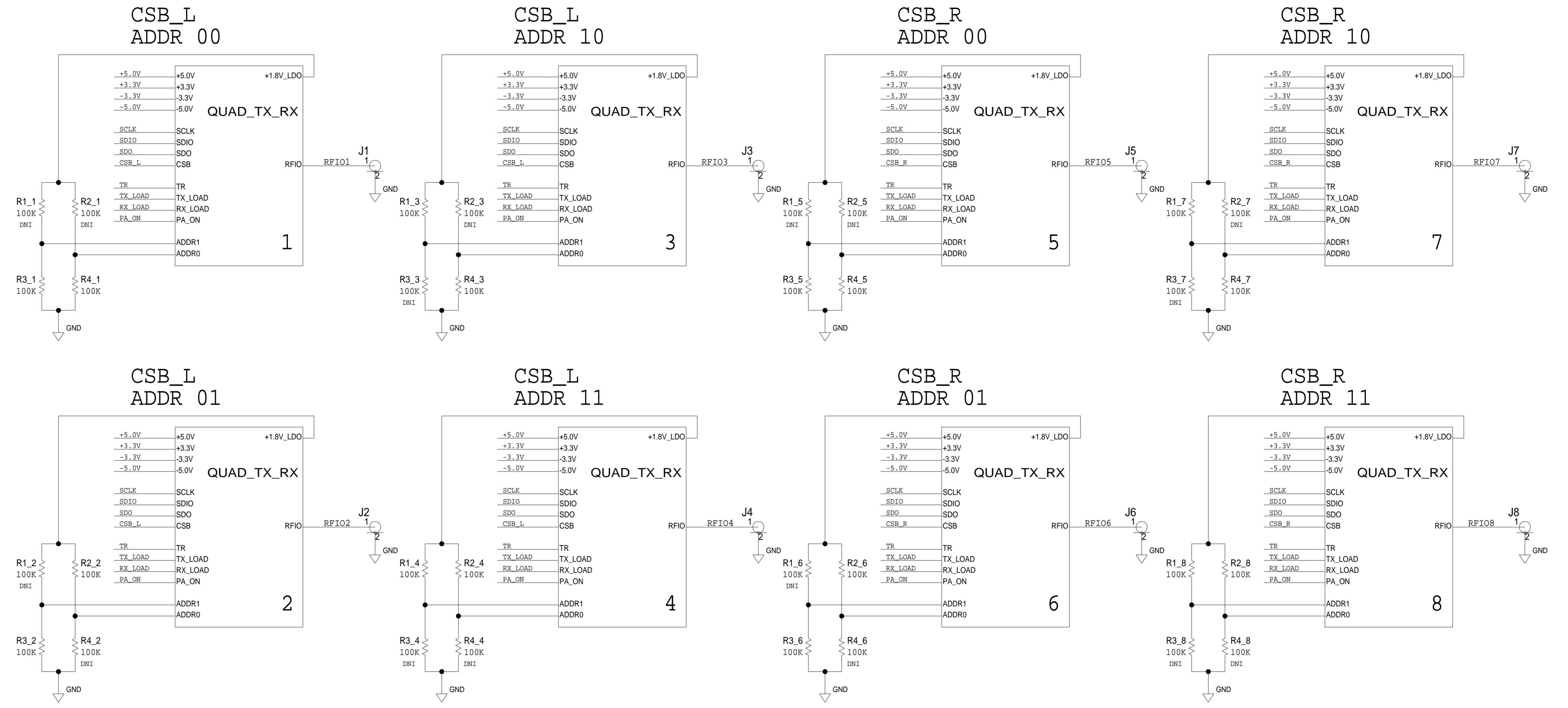
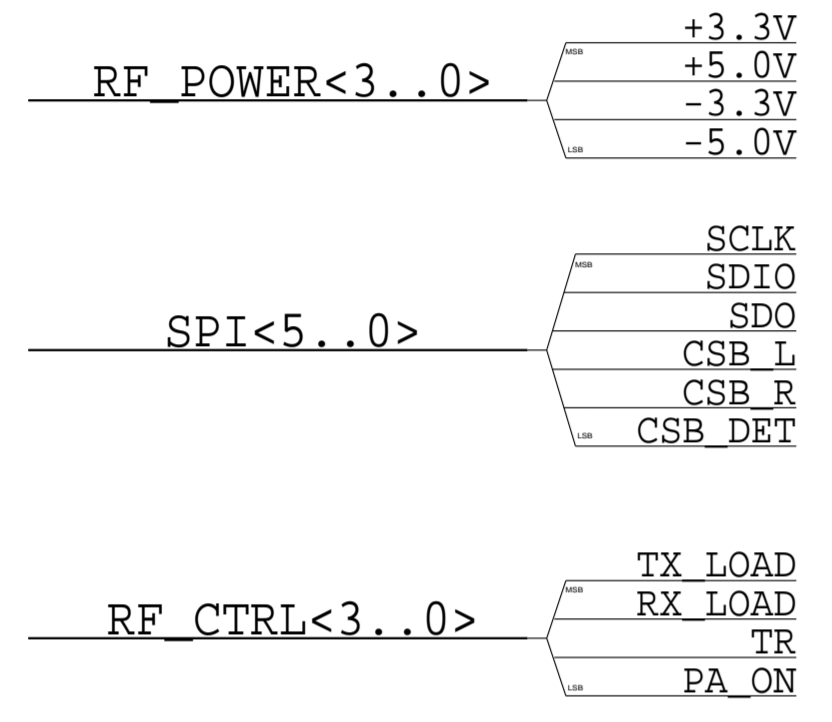
PAGE IO



CALIBRATION DETECTOR/ADC COMBO

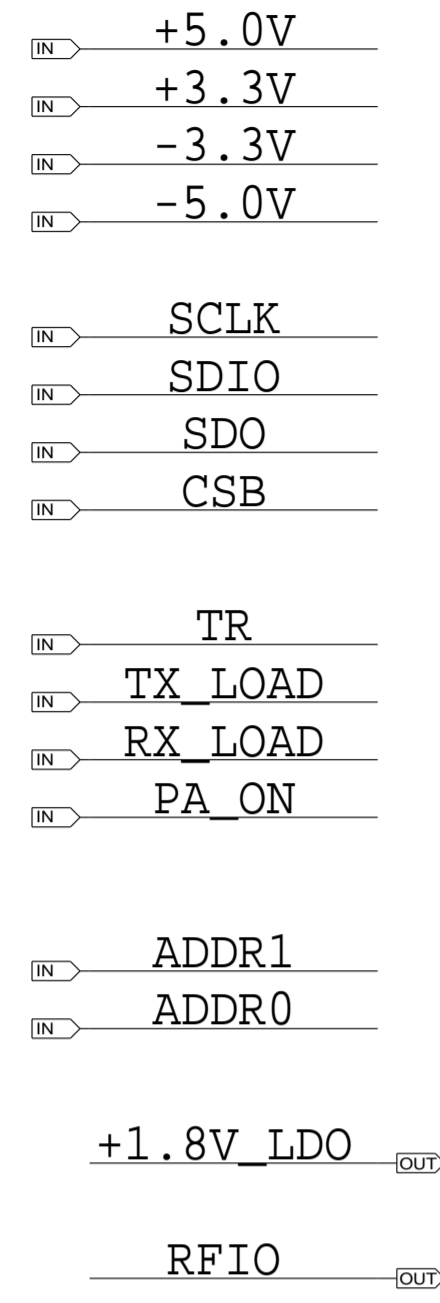


INPUT BUSES

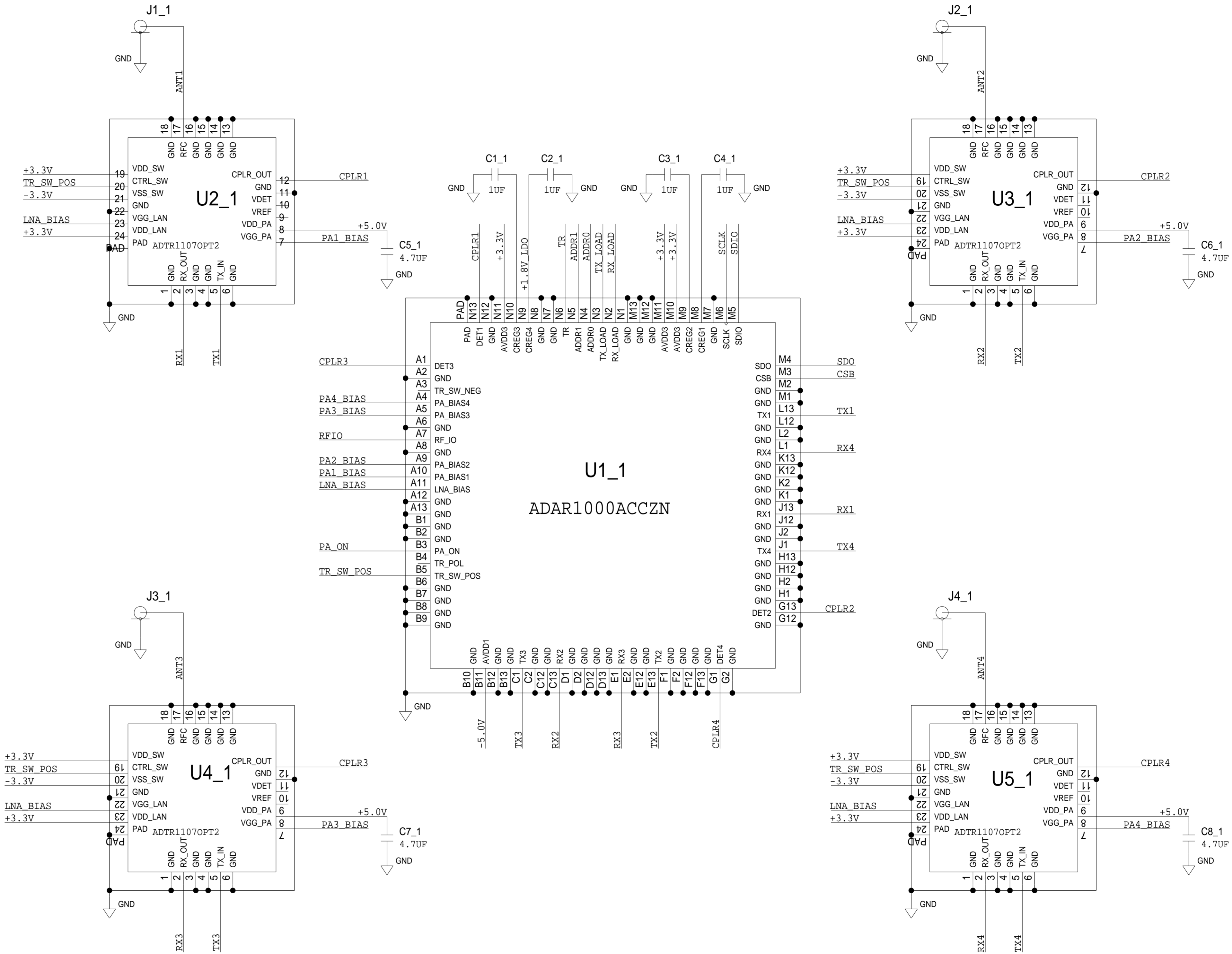
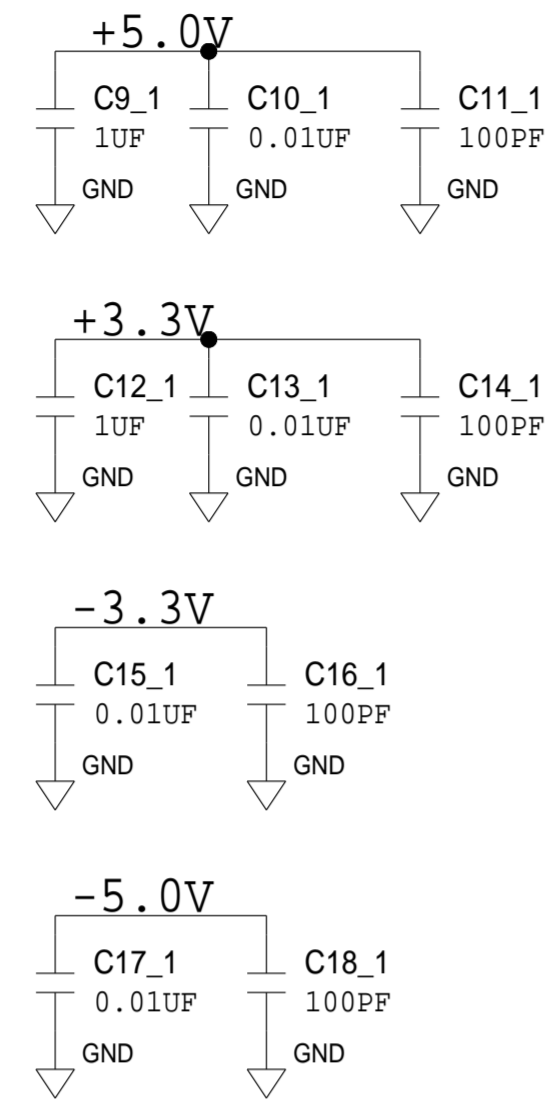


	SCHEMATIC		
	HW TYPE : Customer Evaluation Z Product(s) : ADAR100 : ADTR1107		
DESIGN VIEW <DESIGN_VIEW>	DRAWING NO. 02_059522	REV B	
PTD ENGINEER <PTD_ENGINEER>	SIZE D	SCALE 1:1	SHEET 3 OF 19

PAGE IO



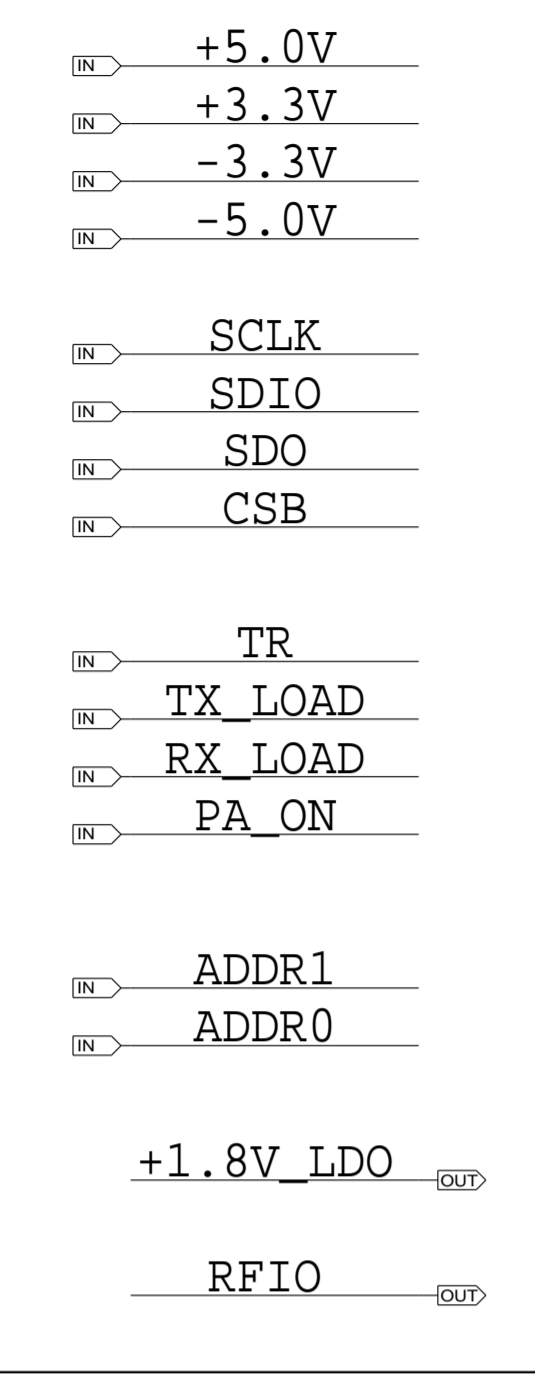
DECOUPLING



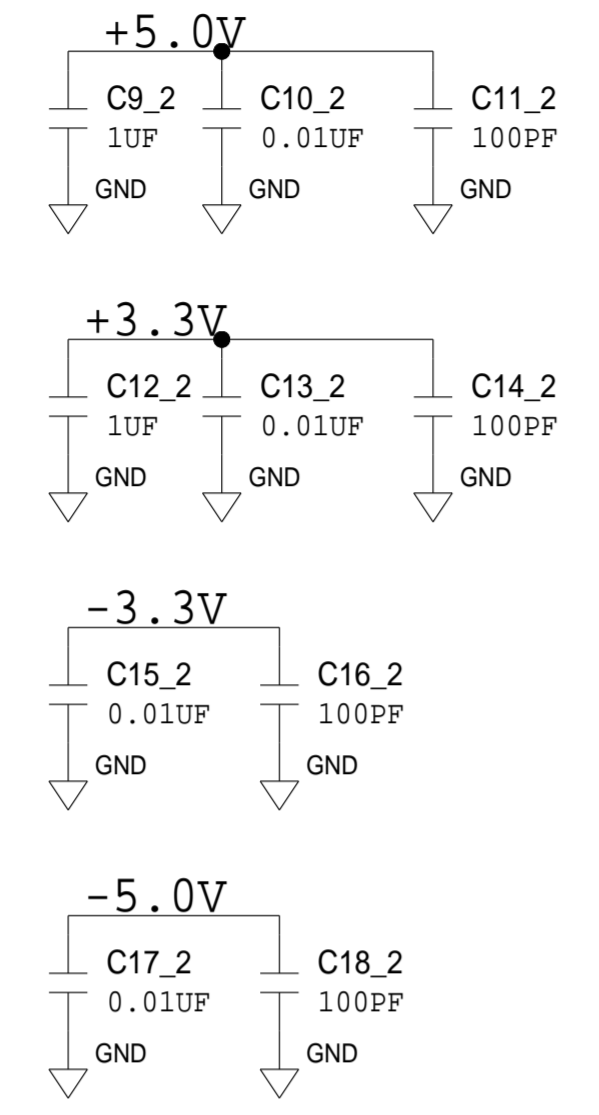
REVISIONS			
REV	DESCRIPTION	DATE	APPROVED

		SCHEMATIC	
		HW TYPE : Customer Evaluation Z Product(s) : ADAR1000 : ADTR1107	
DESIGN VIEW <DESIGN_VIEW>	DRAWING NO. 02_059522	REV B	
PTD ENGINEER <PTD_ENGINEER>	SIZE D	SCALE 1:1	SHEET 4 OF 19

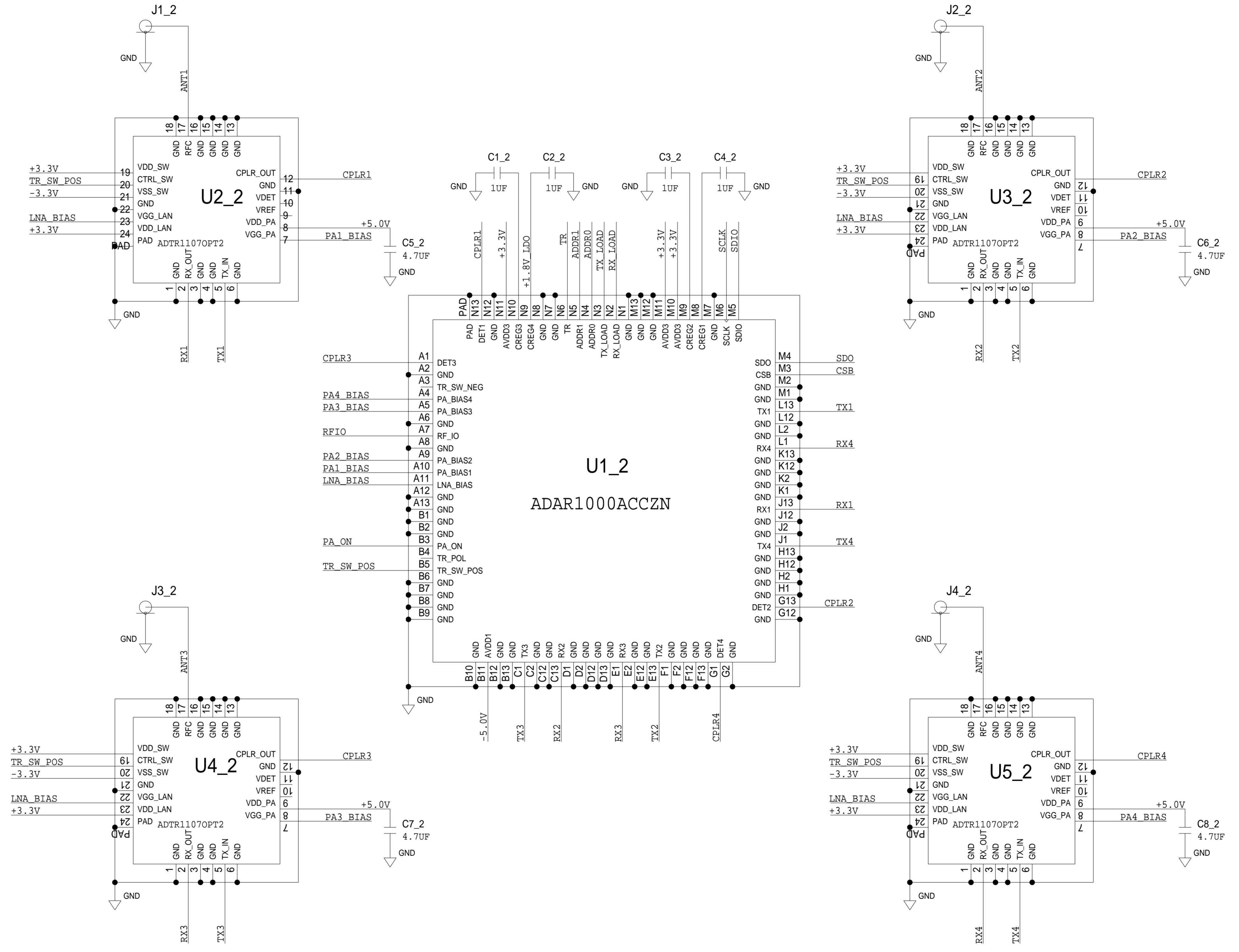
PAGE IO



DECOUPLING

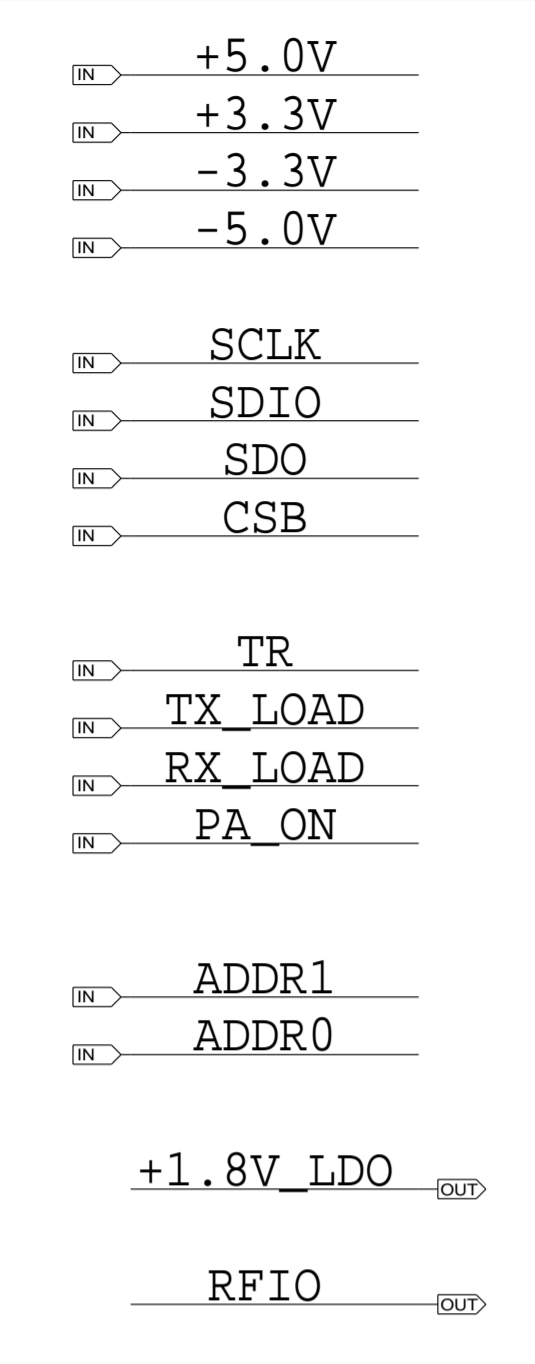


REVISIONS			
REV	DESCRIPTION	DATE	APPROVED

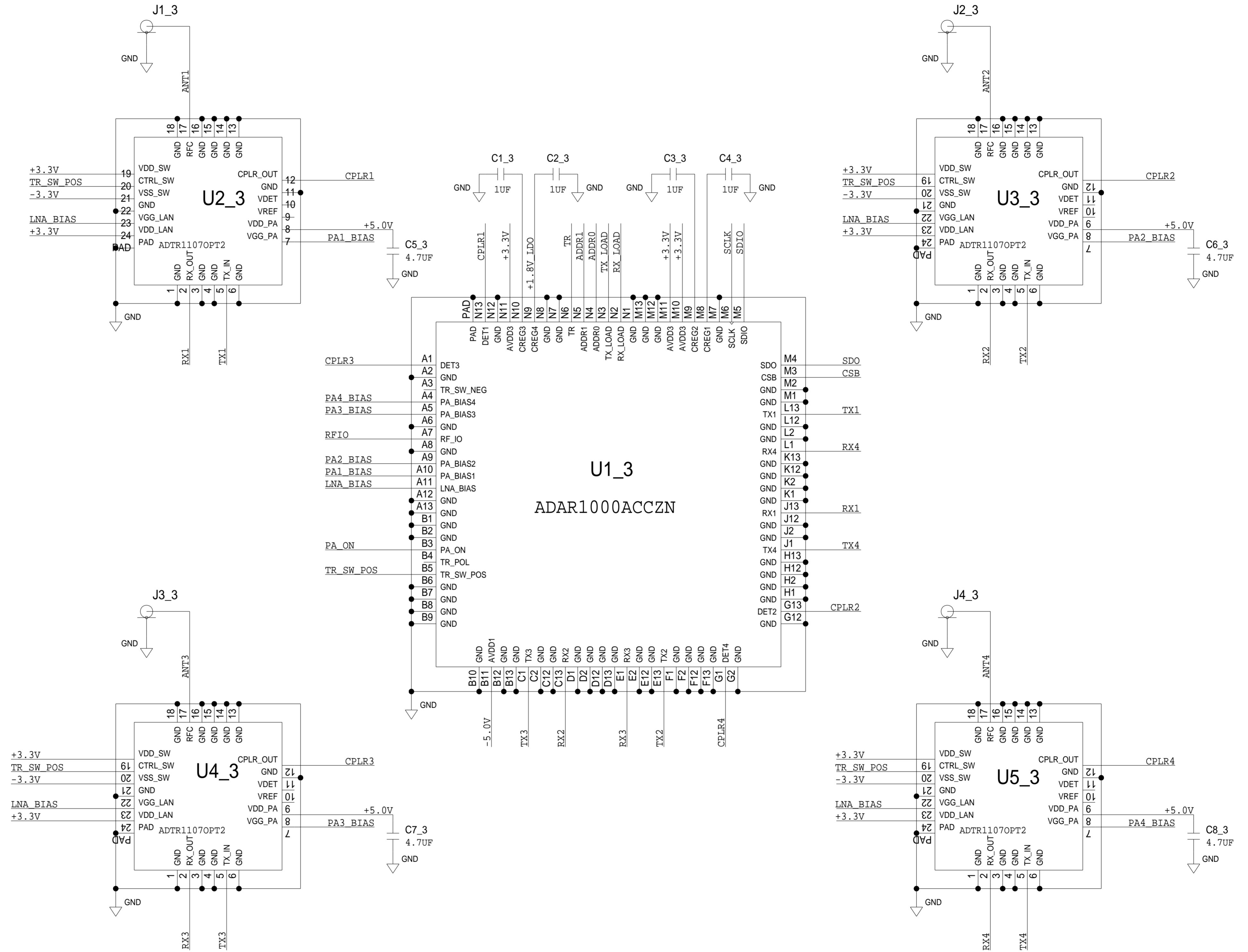
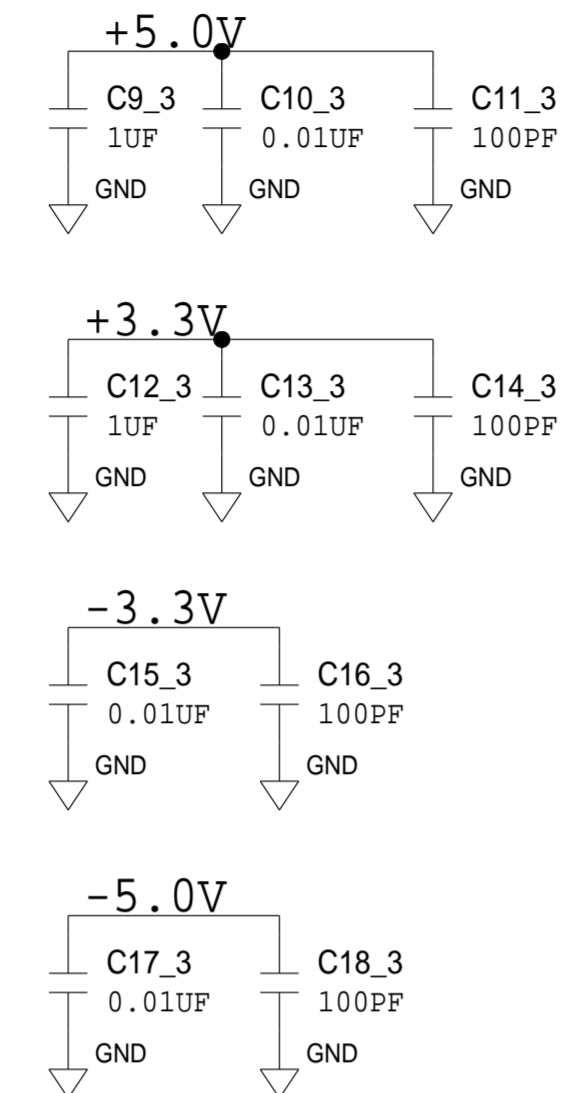


	SCHEMATIC		
	HW TYPE : Customer Evaluation Z Product(s) : ADAR1000 : ADTR1107		
DESIGN VIEW <DESIGN_VIEW>	DRAWING NO. 02_059522	REV B	
PTD ENGINEER <PTD_ENGINEER>	SIZE D	SCALE 1:1	
SHEET 5 OF 19			

PAGE IO



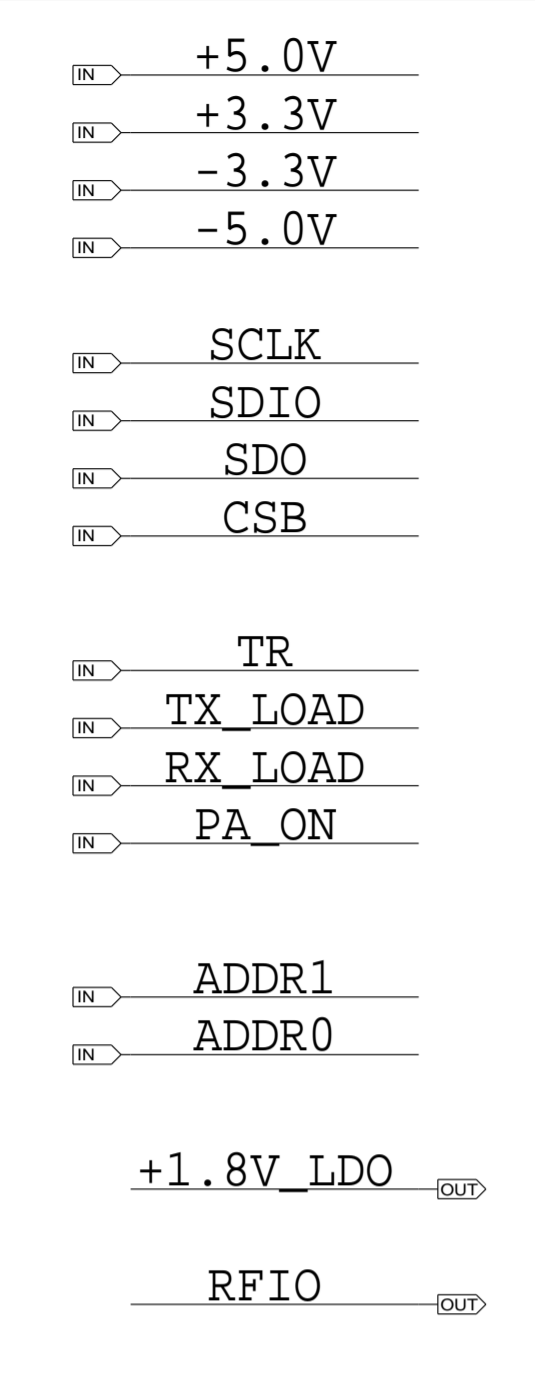
DECOUPLING



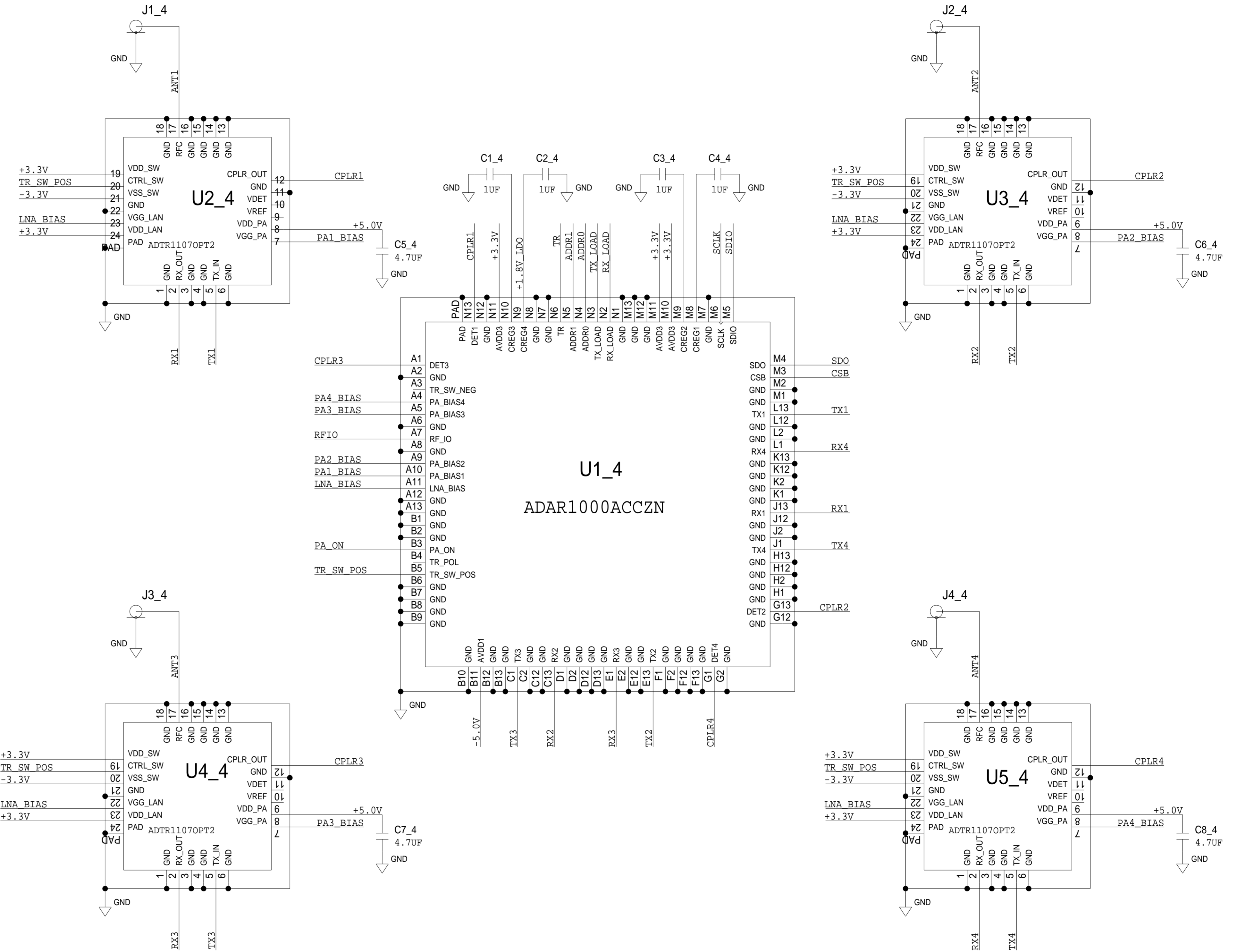
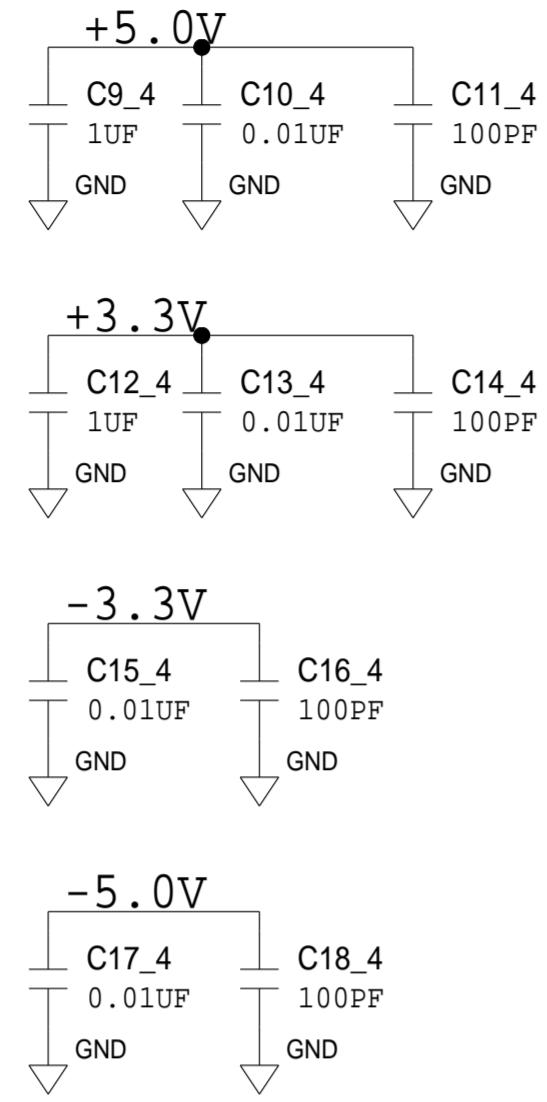
REVISIONS			
REV	DESCRIPTION	DATE	APPROVED

	SCHEMATIC		
	HW TYPE : Customer Evaluation Z Product(s) : ADAR1000 : ADTR1107		
DESIGN VIEW <DESIGN_VIEW>	DRAWING NO. 02_059522	REV B	
PTD ENGINEER <PTD_ENGINEER>	SIZE D	SCALE 1:1	SHEET 6 OF 19

PAGE IO



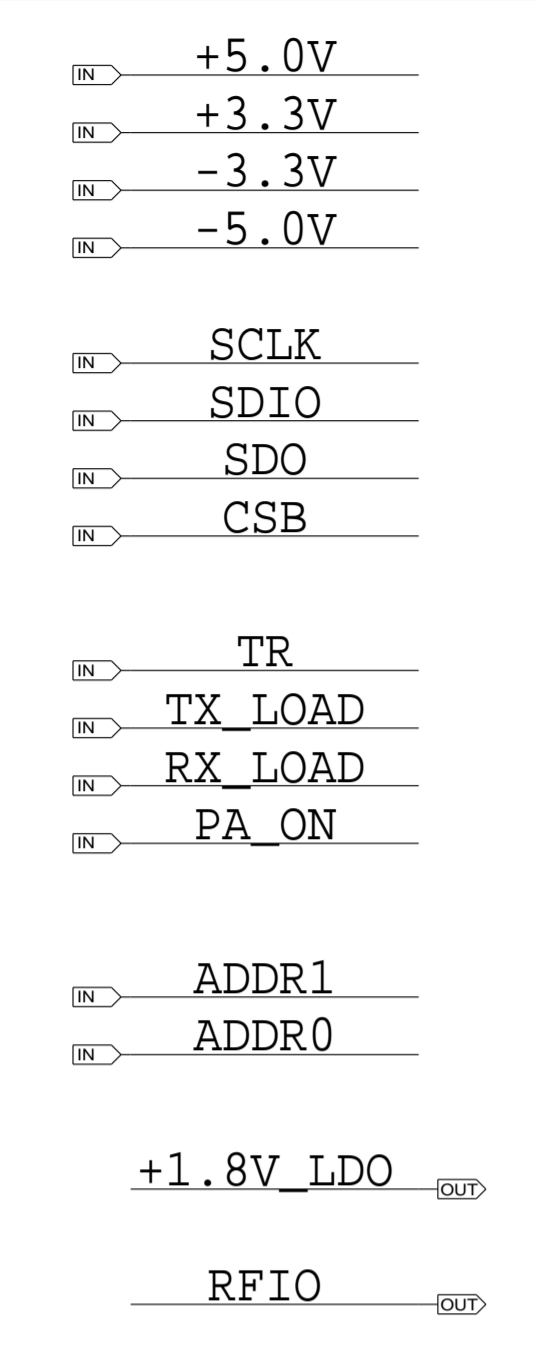
DECOUPLING



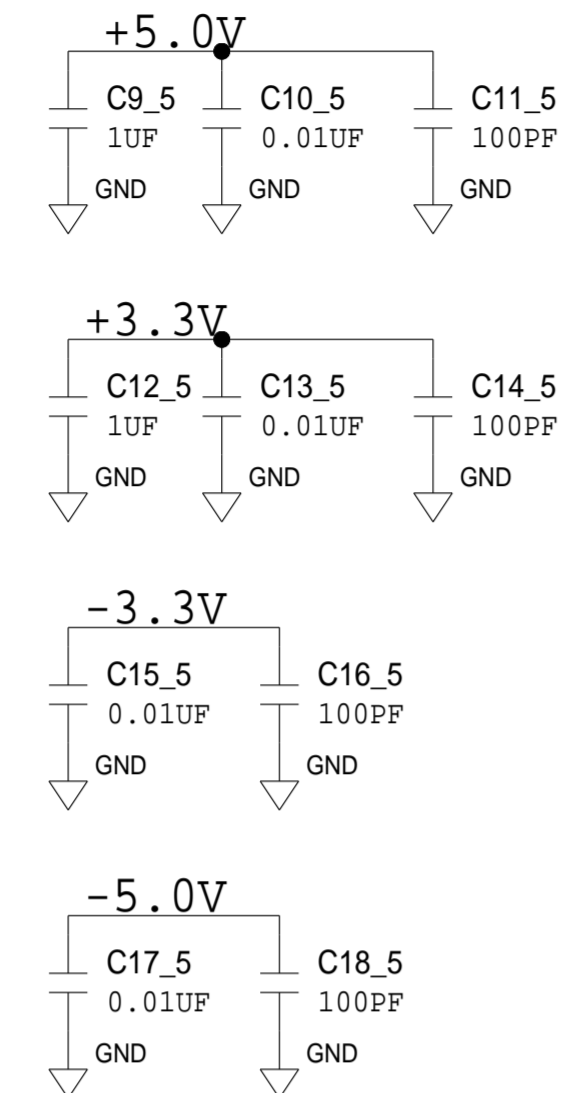
REVISIONS			
REV	DESCRIPTION	DATE	APPROVED

	SCHEMATIC		
	HW TYPE : Customer Evaluation Z Product(s) : ADAR1000 : ADTR1107		
DESIGN VIEW <DESIGN_VIEW>	DRAWING NO. 02_059522	REV B	
PTD ENGINEER <PTD_ENGINEER>	SIZE D	SCALE 1:1	SHEET 7 OF 19

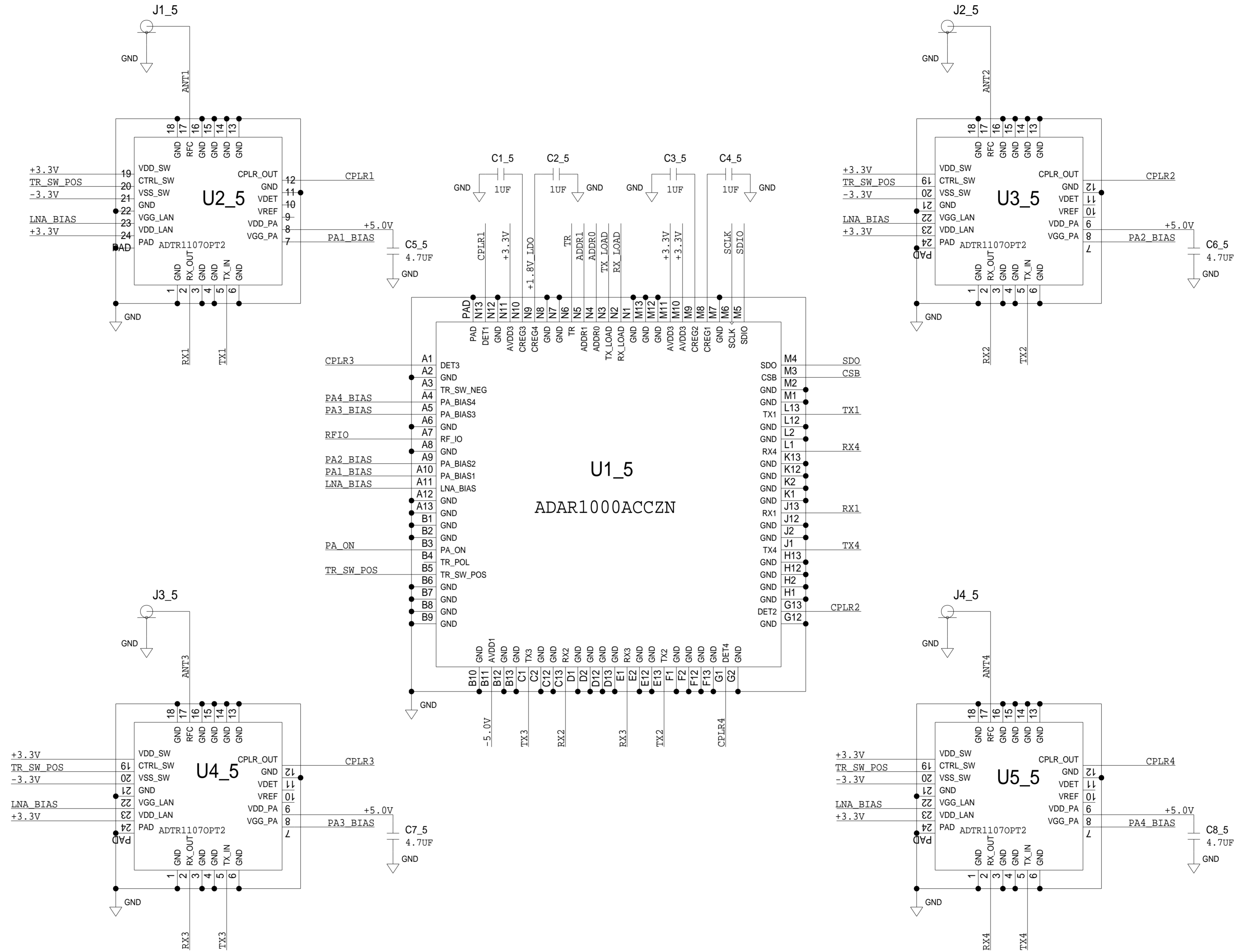
PAGE IO



DECOUPLING



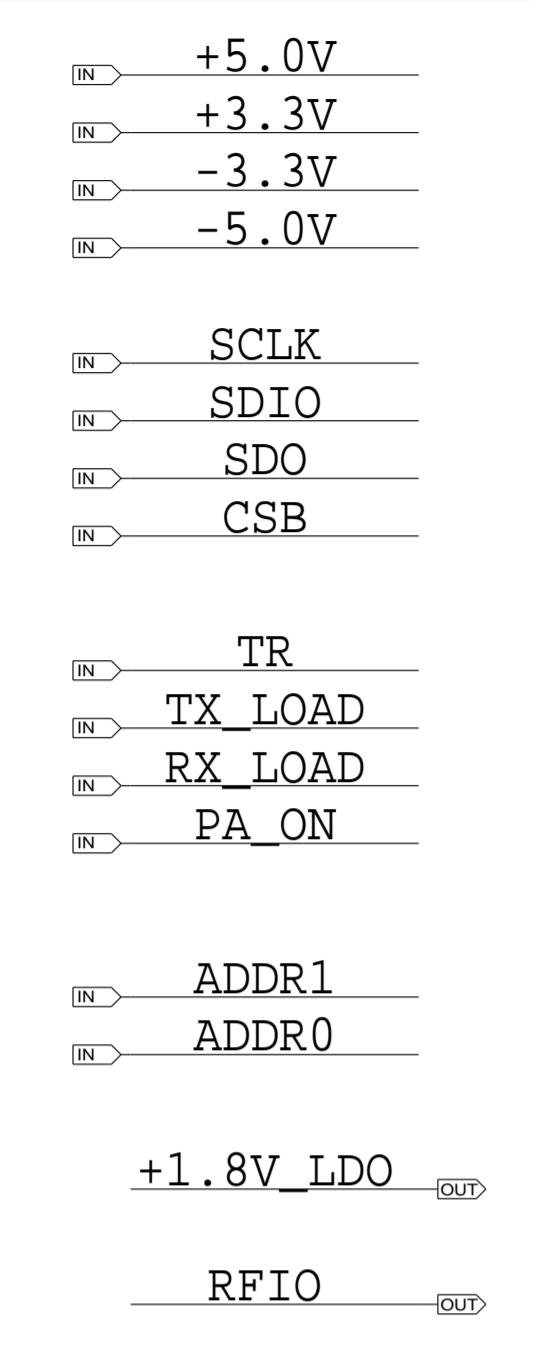
REVISIONS			
REV	DESCRIPTION	DATE	APPROVED



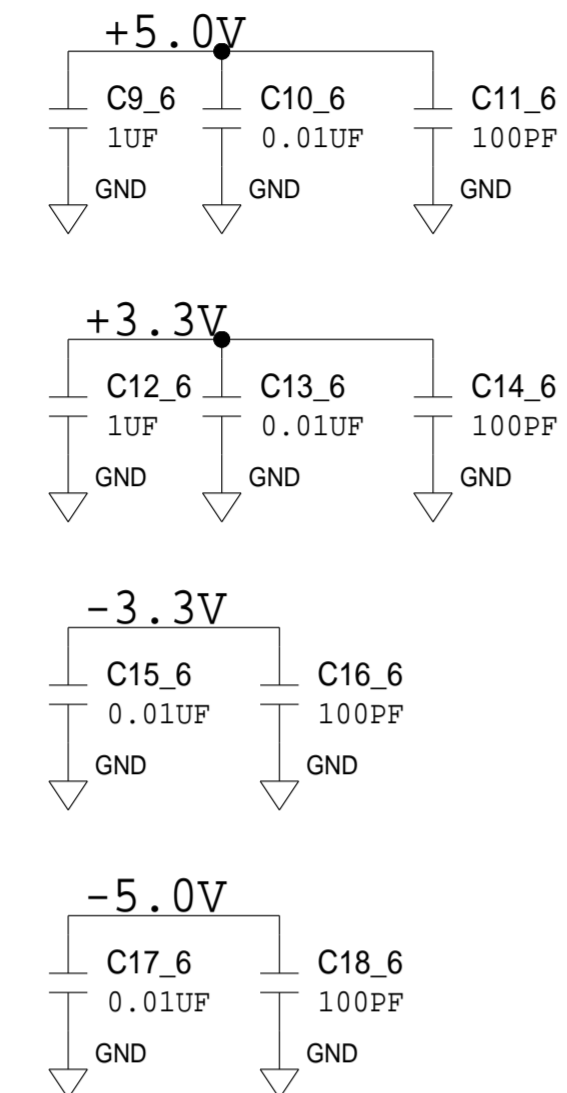
	SCHEMATIC		
	HW TYPE : Customer Evaluation Z Product(s) : ADAR1000 : ADTR1107		
	DESIGN VIEW <DESIGN_VIEW>	DRAWING NO. 02_059522	REV B
	PTD ENGINEER <PTD_ENGINEER>	SIZE D	SCALE 1:1

THIS DRAWING IS THE PROPERTY OF ANALOG DEVICES INC.
 IT IS NOT TO BE REPRODUCED OR COPIED, IN WHOLE OR
 IN PART, OR USED IN ANY MANNER WITHOUT THE EXPRESS
 WRITTEN PERMISSION OF ANALOG DEVICES INC.
 THE EQUIPMENT DESIGN HEREON MAY BE PROTECTED BY PATENTS
 OWNED OR CONTROLLED BY ANALOG DEVICES.

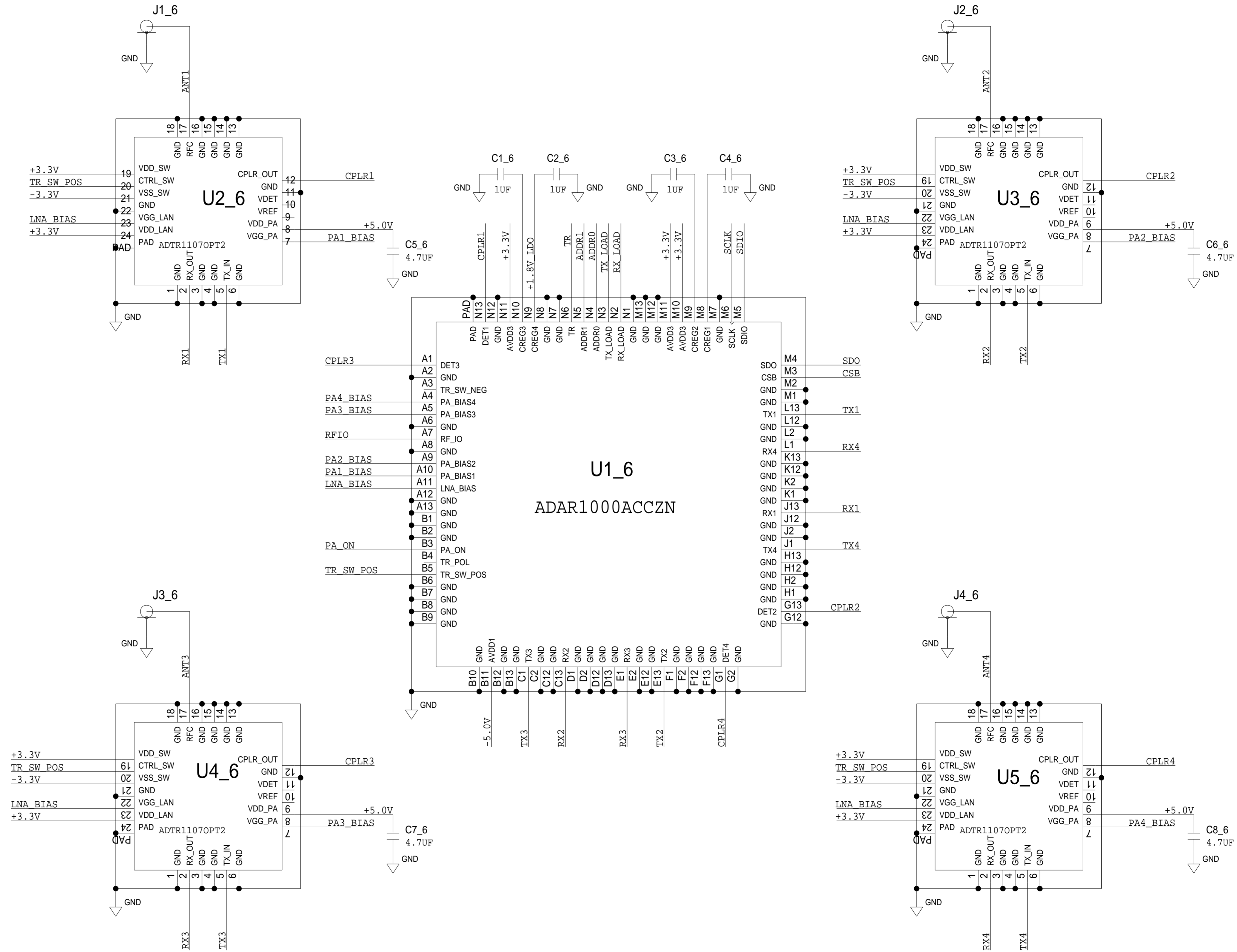
PAGE IO



DECOUPLING

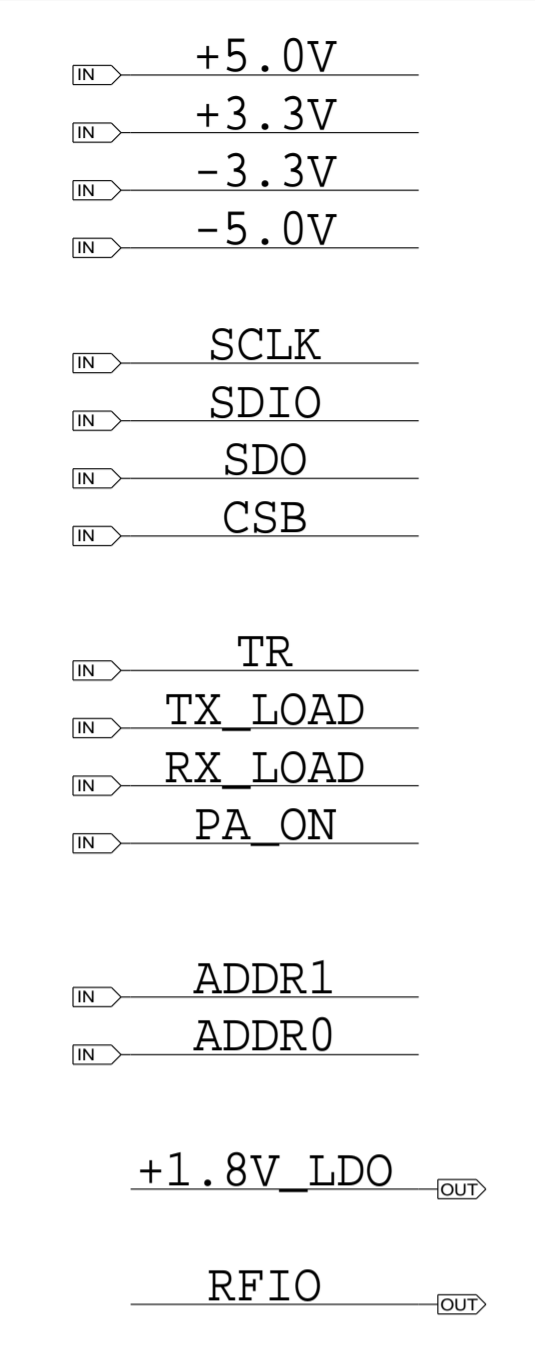


REVISIONS			
REV	DESCRIPTION	DATE	APPROVED

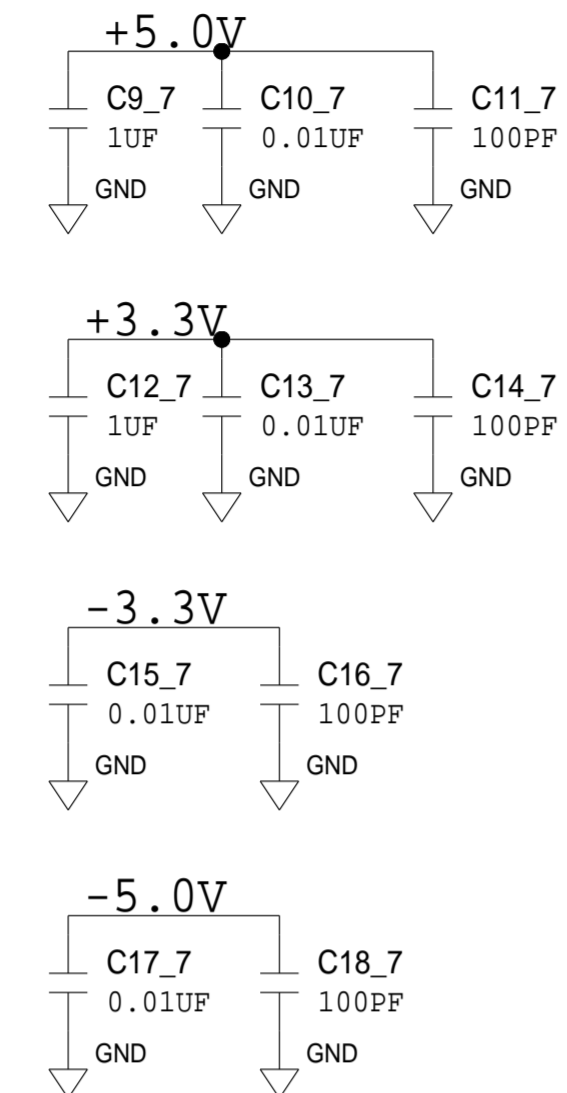


	SCHEMATIC		
	HW TYPE : Customer Evaluation Z Product(s) : ADAR1000 : ADTR1107		
DESIGN VIEW <DESIGN_VIEW>	DRAWING NO. 02_059522	REV B	
PTD ENGINEER <PTD_ENGINEER>	SIZE D	SCALE 1:1	SHEET 9 OF 19

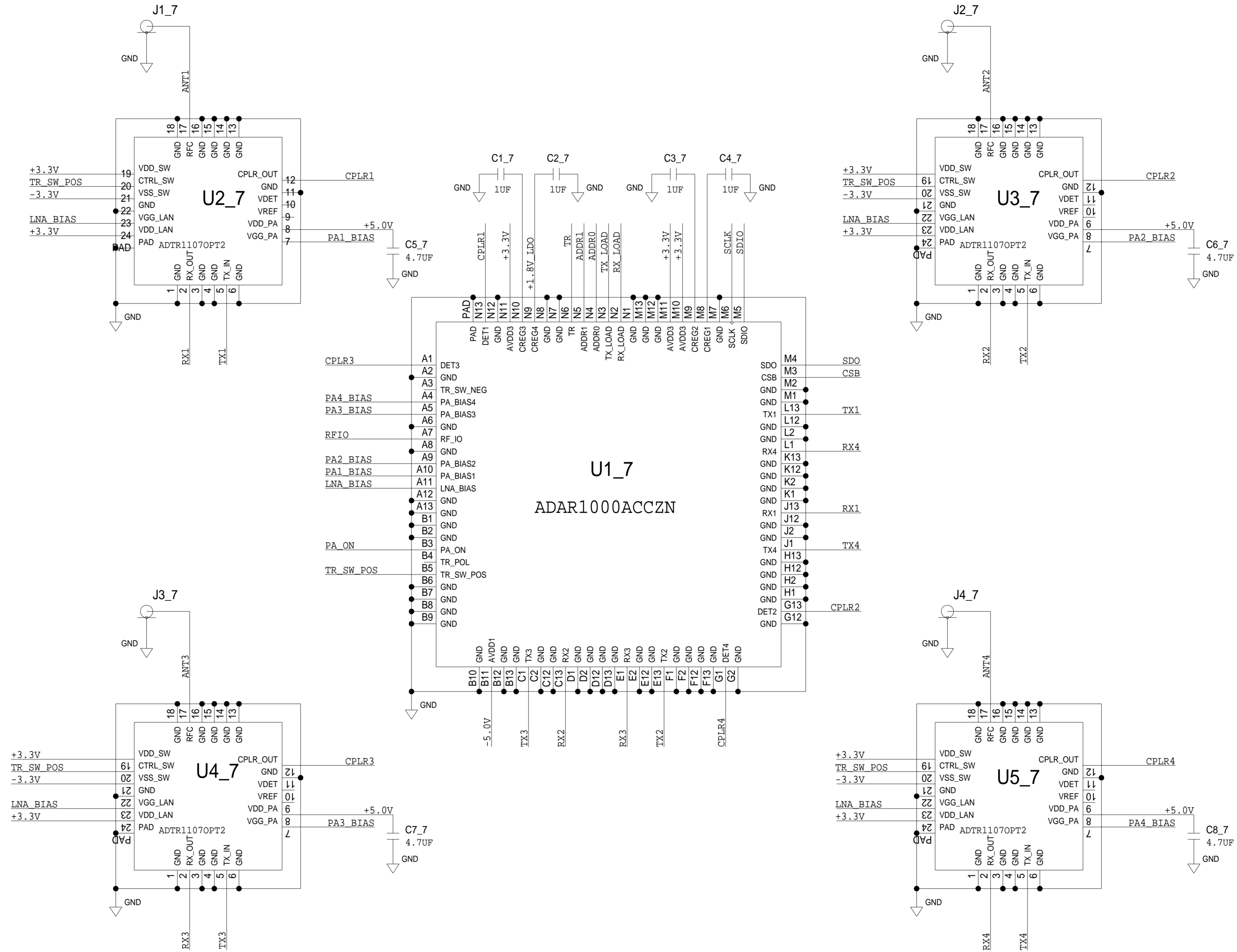
PAGE IO



DECOUPLING

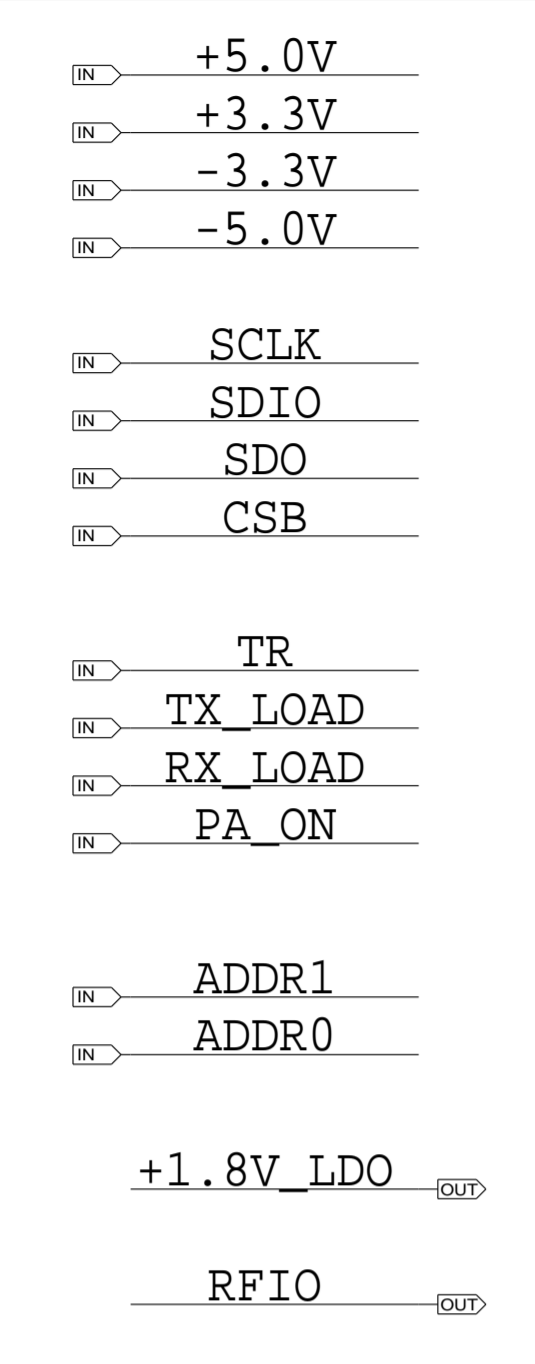


REVISIONS			
REV	DESCRIPTION	DATE	APPROVED

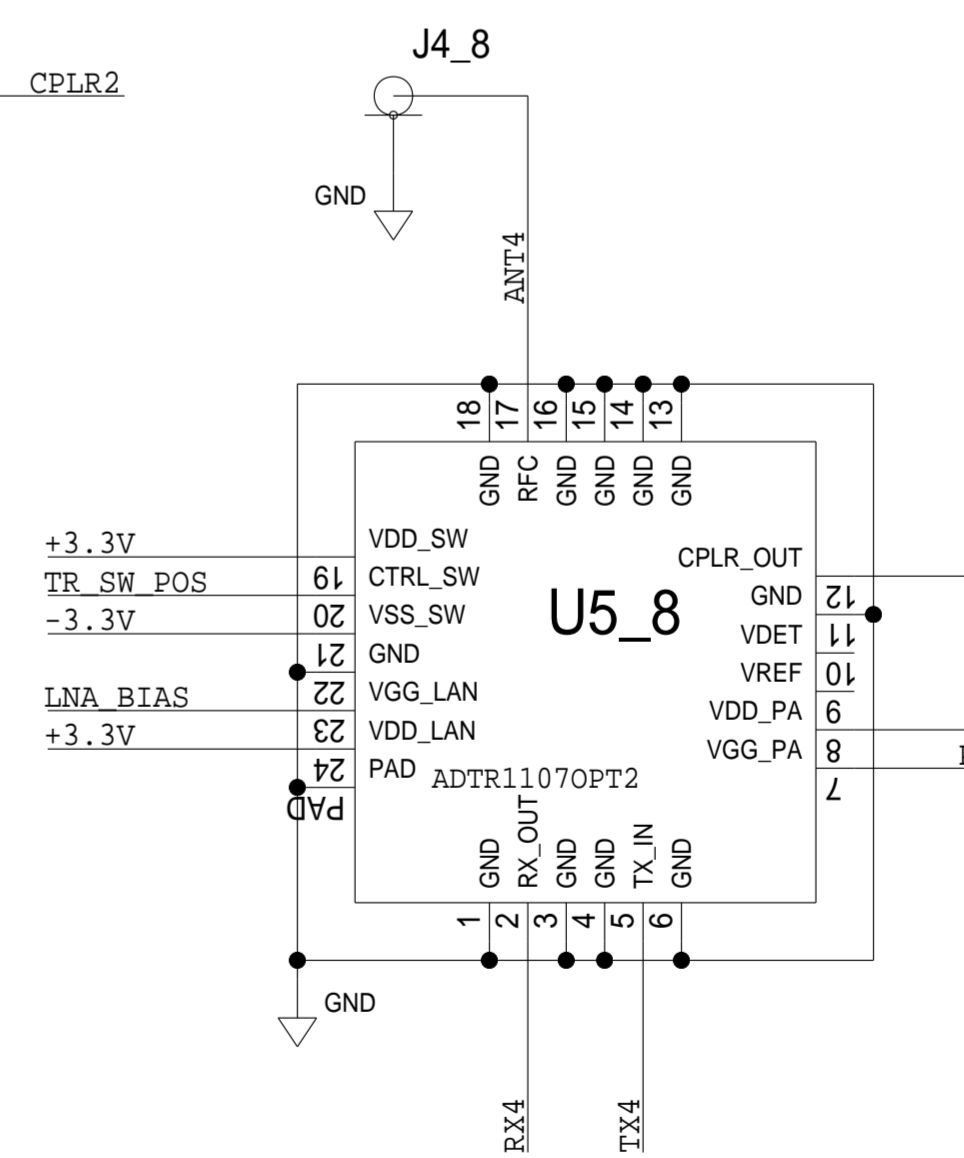
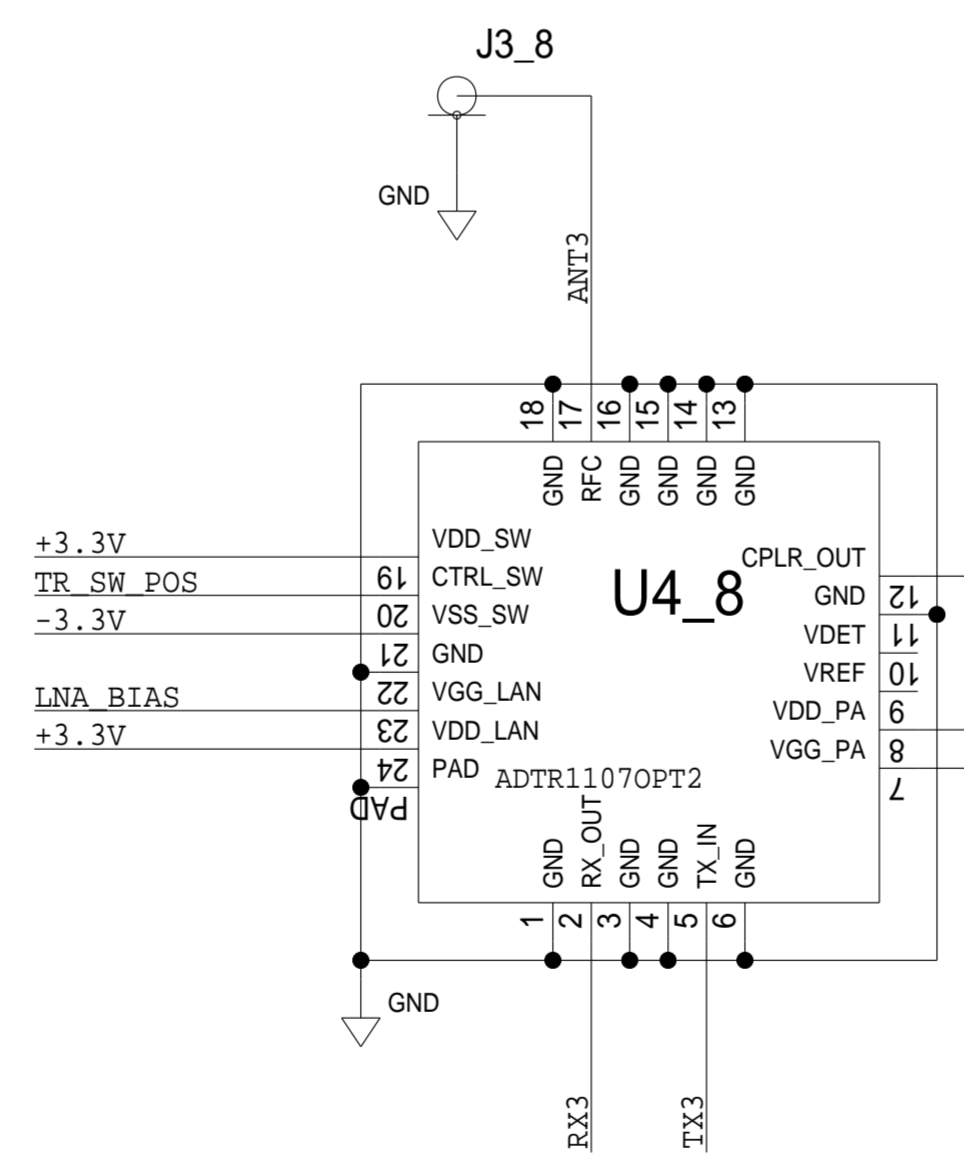
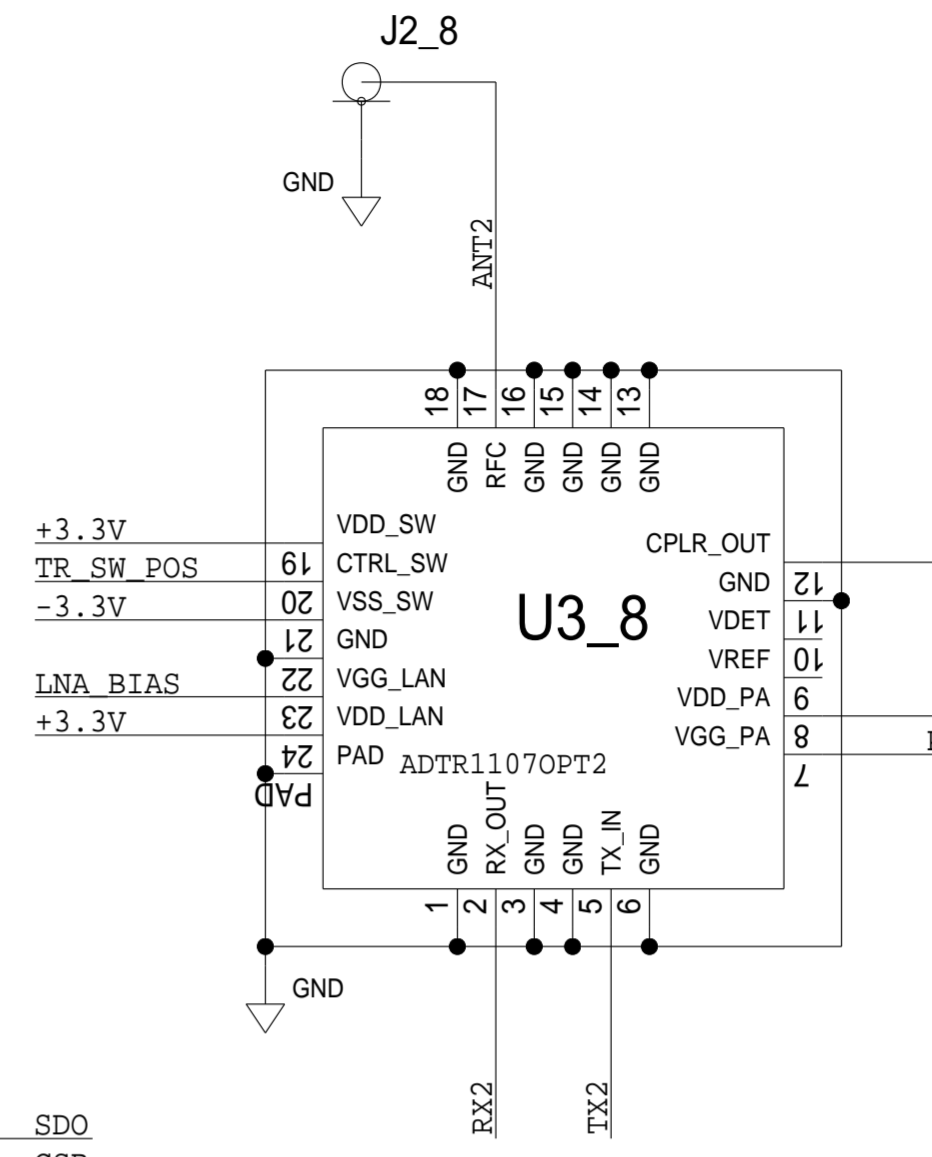
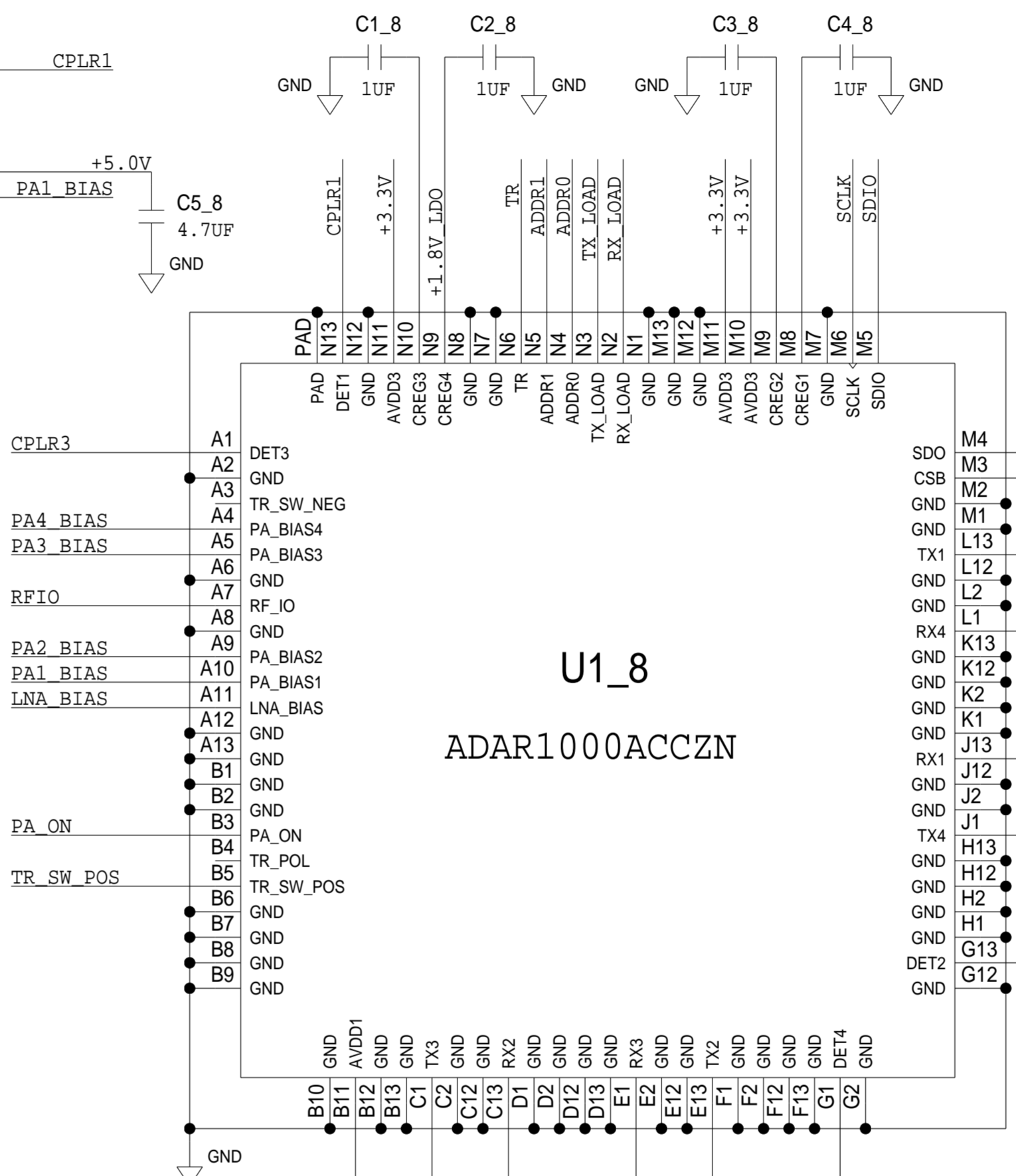
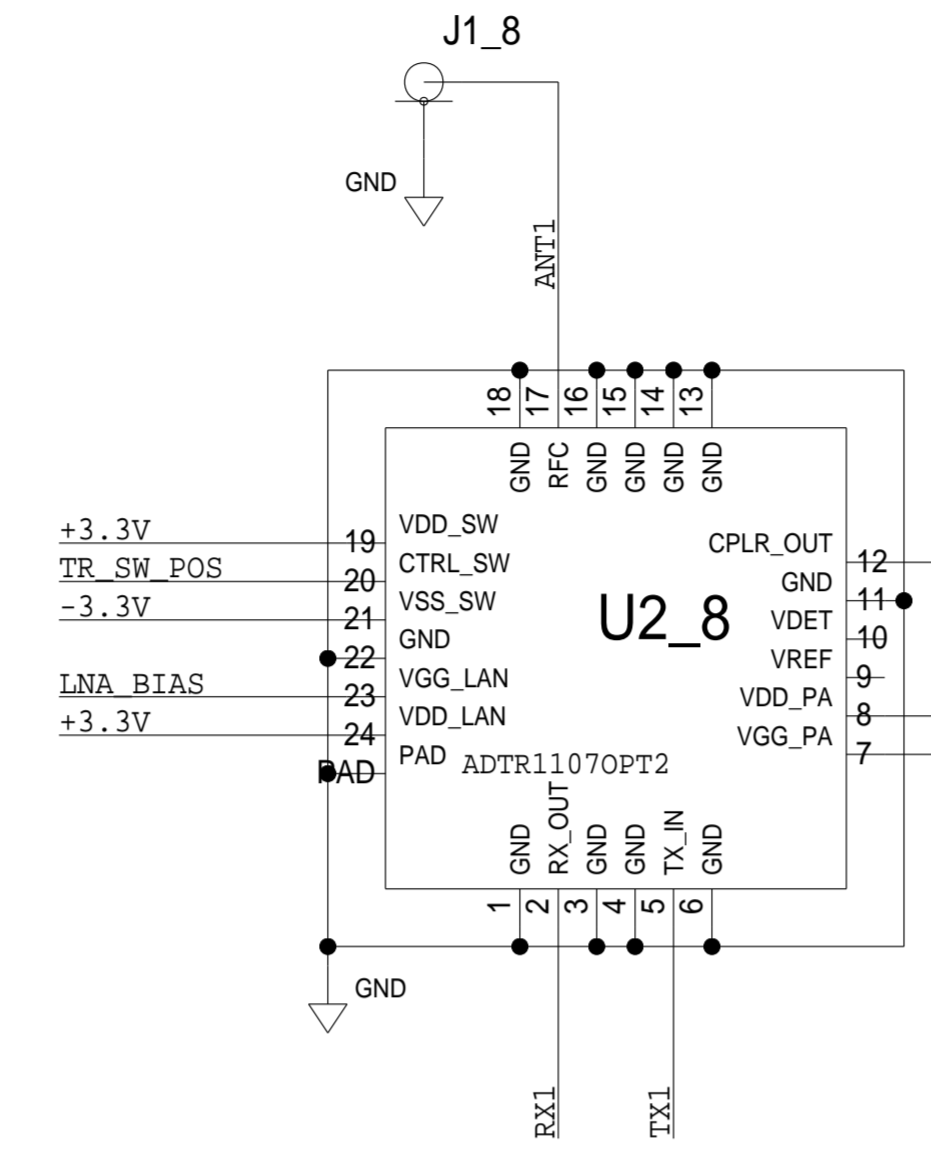
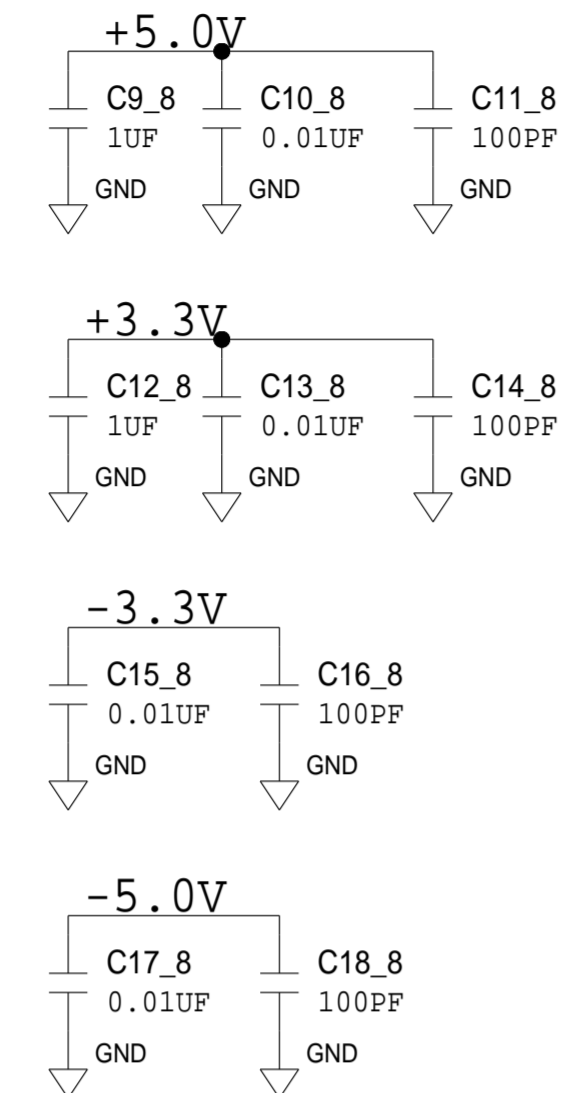


	SCHEMATIC		
	HW TYPE : Customer Evaluation Z Product(s) : ADAR1000 : ADTR1107		
DESIGN VIEW <DESIGN_VIEW>	DRAWING NO. 02_059522	REV B	
PTD ENGINEER <PTD_ENGINEER>	SIZE D	SCALE 1:1	SHEET 10 OF 19

PAGE IO



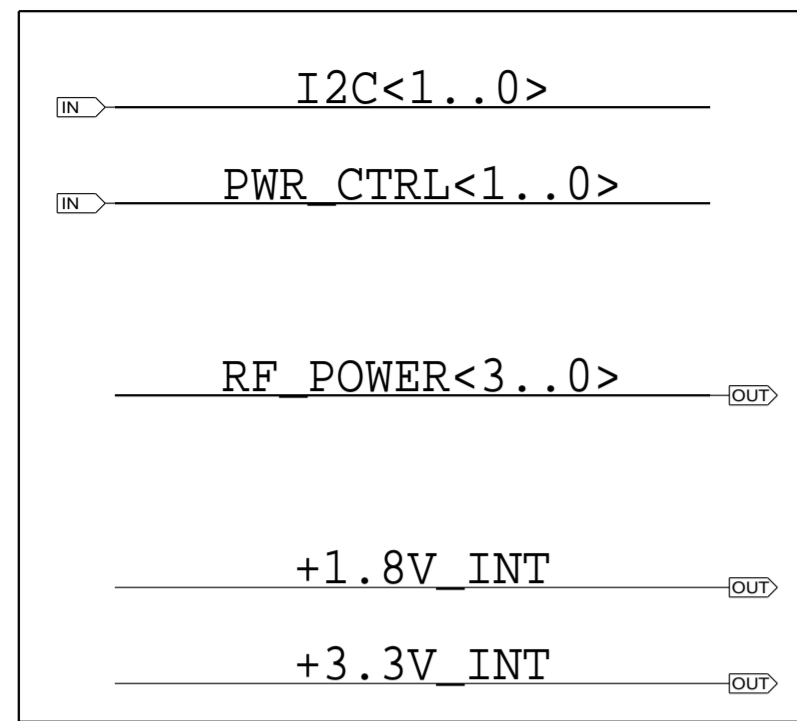
DECOUPLING



REVISIONS			
REV	DESCRIPTION	DATE	APPROVED

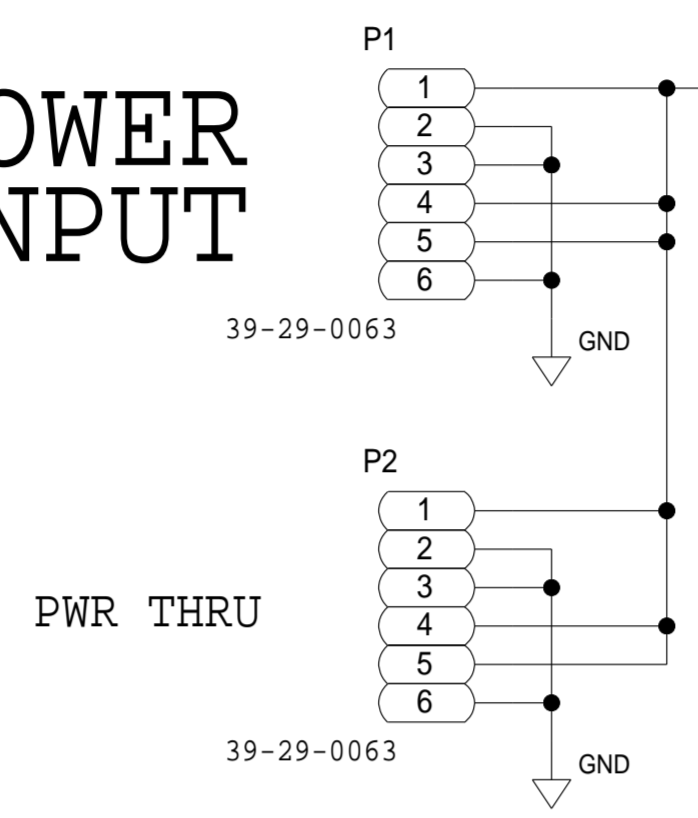
		SCHEMATIC	
		HW TYPE : Customer Evaluation Z Product(s) : ADAR1000 : ADTR1107	
DESIGN VIEW <DESIGN_VIEW>	DRAWING NO. 02_059522	REV B	
PTD ENGINEER <PTD_ENGINEER>	SIZE D	SCALE 1:1	SHEET 11 OF 19

PAGE IO

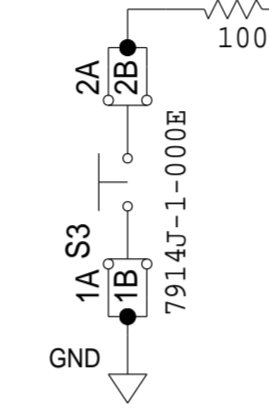


USE WITH SL POWER ELECTRONICS
TE240A1251F01/ME240A1251N01

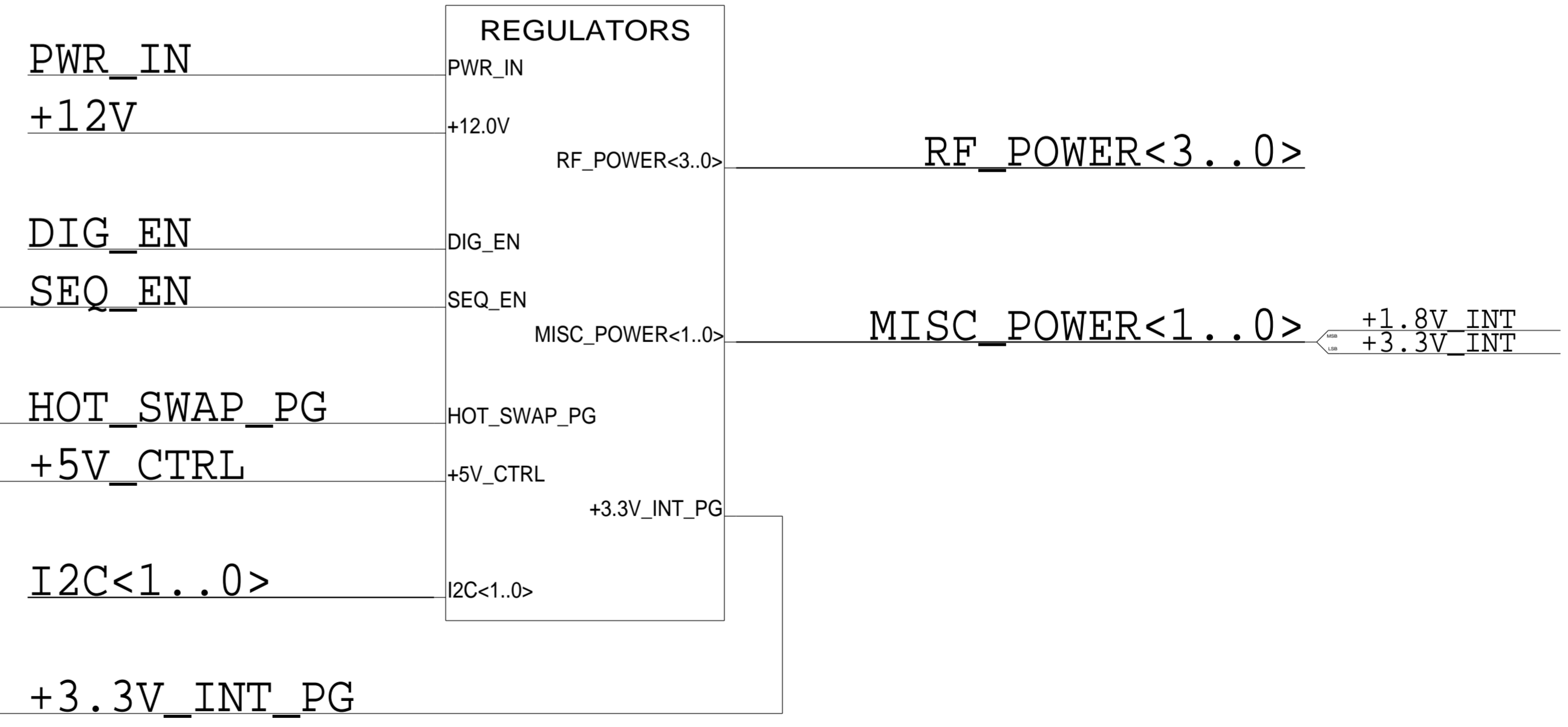
POWER INPUT



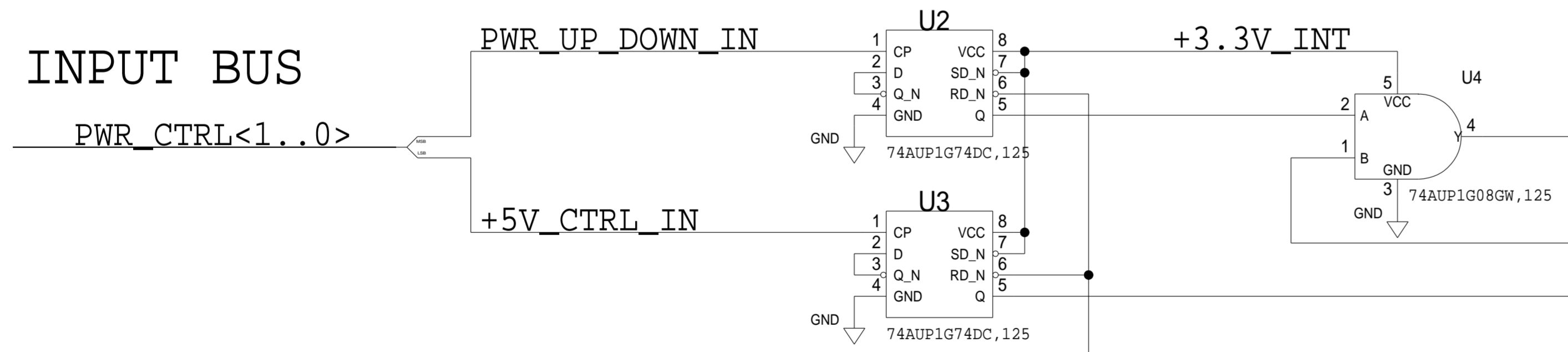
RESET BUTTON



POWER GENERATION



POWER CONTROL



REVISIONS			
REV	DESCRIPTION	DATE	APPROVED

		SCHEMATIC	
		HW TYPE : Customer Evaluation Z Product(s) : ADAR1000 : ADTR1107	
THIS DRAWING IS THE PROPERTY OF ANALOG DEVICES INC. IT IS NOT TO BE REPRODUCED OR COPIED, IN WHOLE OR IN PART, OR USED IN ANY MANNER FOR THE DESIGN, OR FOR ANY OTHER PURPOSE DETRIMENTAL TO THE INTERESTS OF ANALOG DEVICES. THE EQUIPMENT DESIGN HEREON MAY BE PROTECTED BY PATENTS OWNED OR CONTROLLED BY ANALOG DEVICES.	DESIGN VIEW <DESIGN_VIEW>	DRAWING NO. 02_059522	REV B
	PTD ENGINEER <PTD_ENGINEER>	SIZE D	SCALE 1:1

8

7

6

5

4

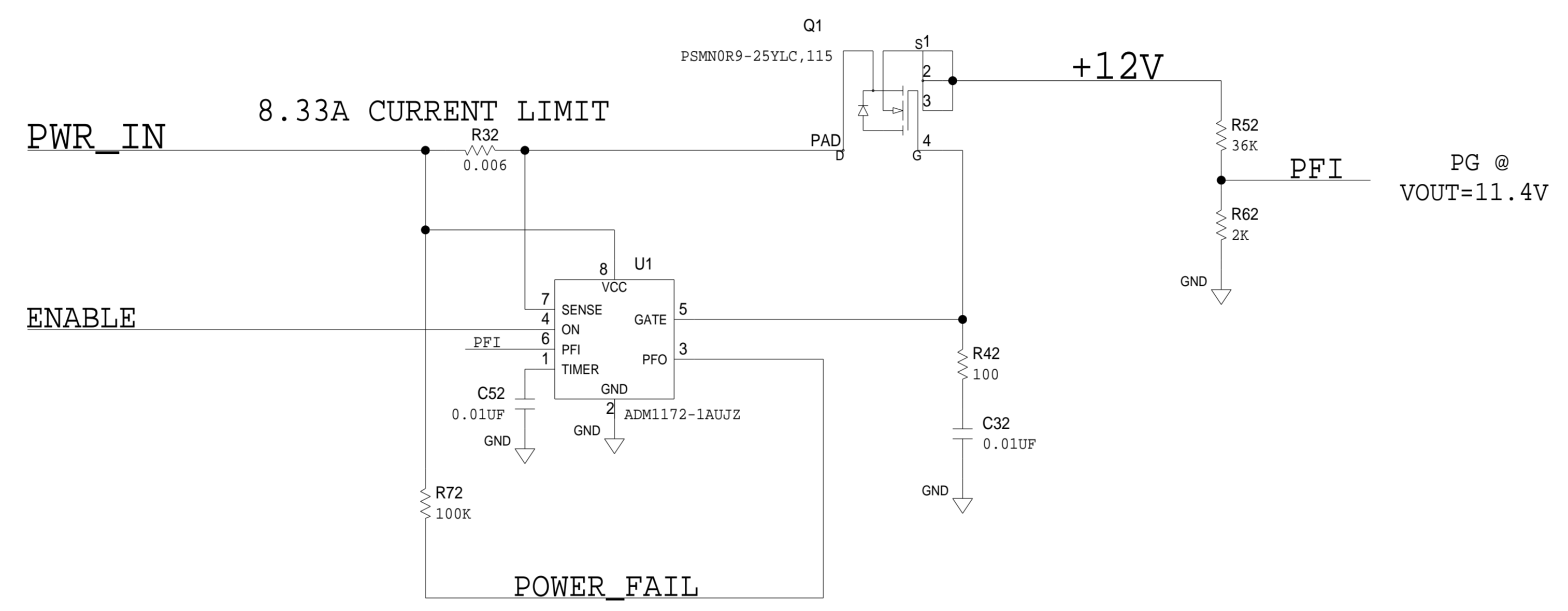
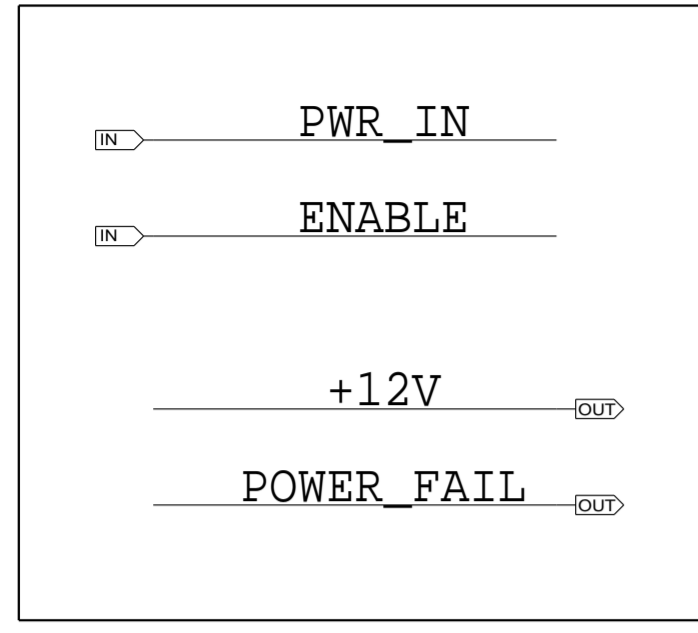
3

2

1

REVISIONS			
REV	DESCRIPTION	DATE	APPROVED

PAGE IO



	SCHEMATIC		
	HW TYPE : Customer Evaluation Z Product(s) : ADAR1000 : ADTR1107		
	DESIGN VIEW <DESIGN_VIEW>	DRAWING NO. 02_059522	REV B
	PTD ENGINEER <PTD_ENGINEER>	SIZE D	SCALE 1:1
		SHEET 13 OF 19	

8

7

6

5

4

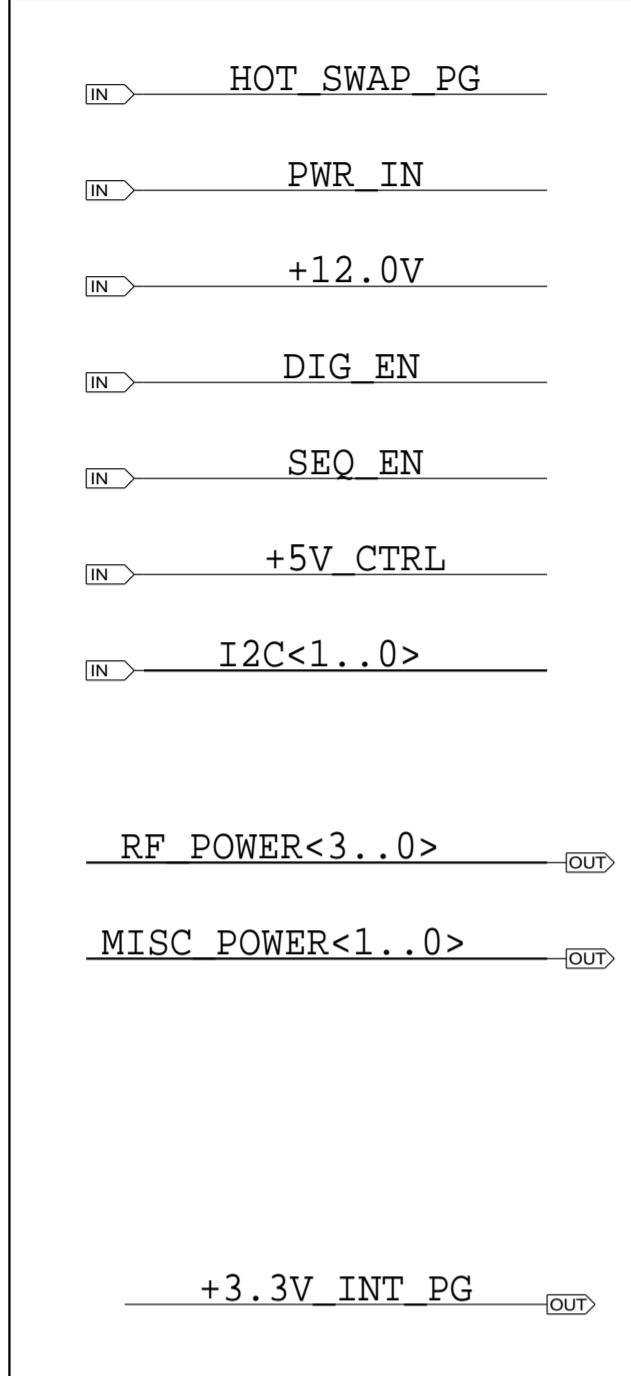
3

2

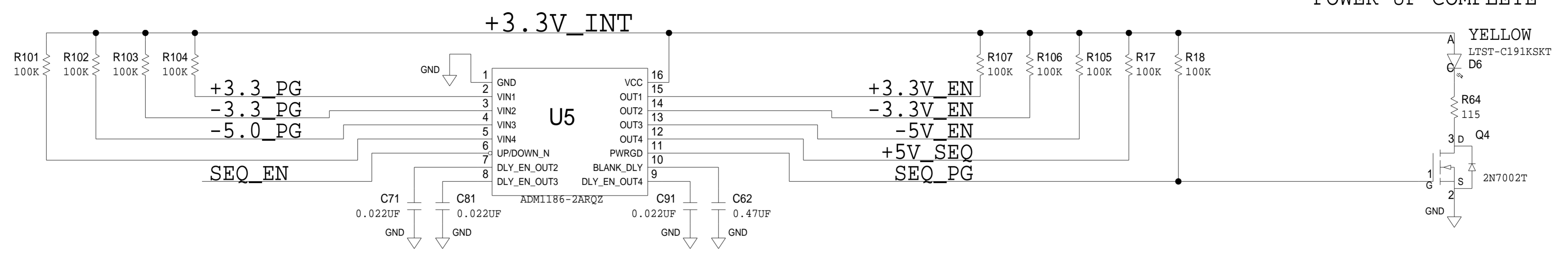
1

REVISIONS			
REV	DESCRIPTION	DATE	APPROVED

PAGE IO

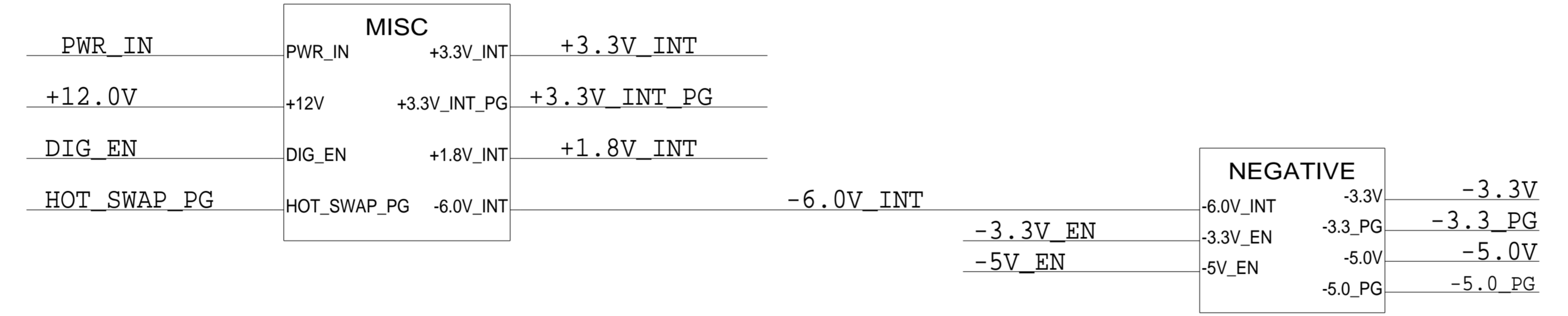


POWER SEQUENCING/MONITORING

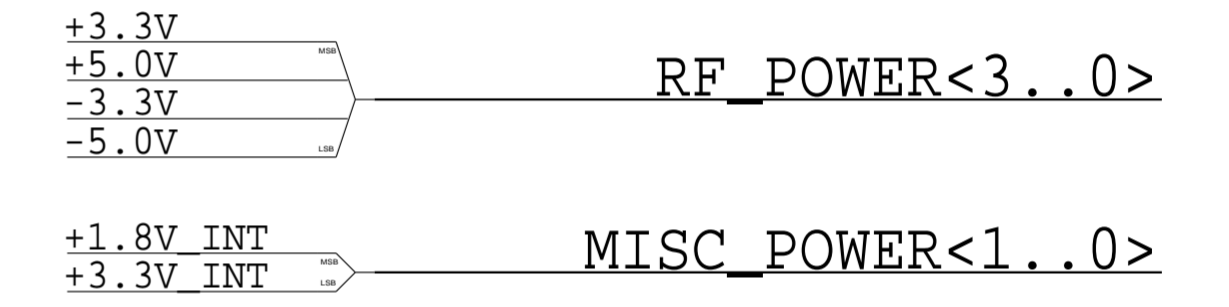


LED ON AFTER INITIAL POWER-UP COMPLETE

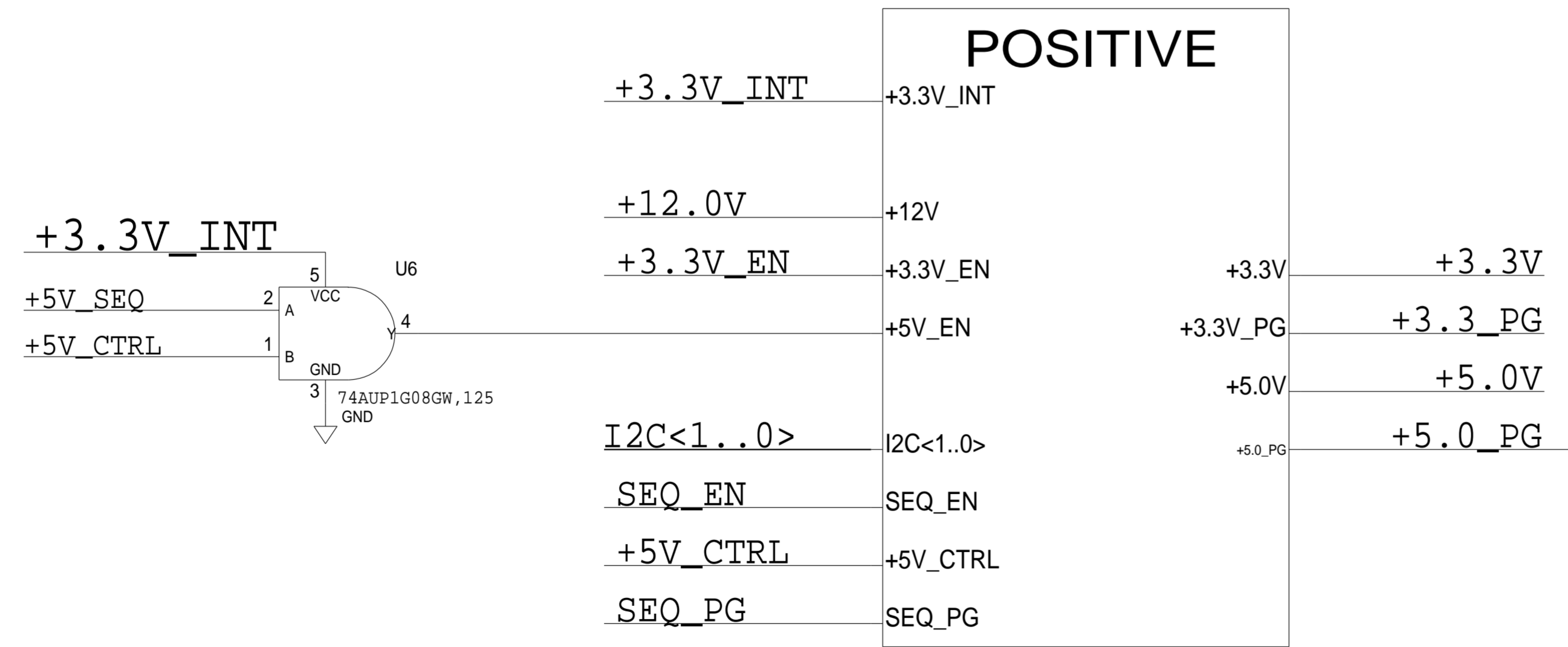
POWER GENERATION



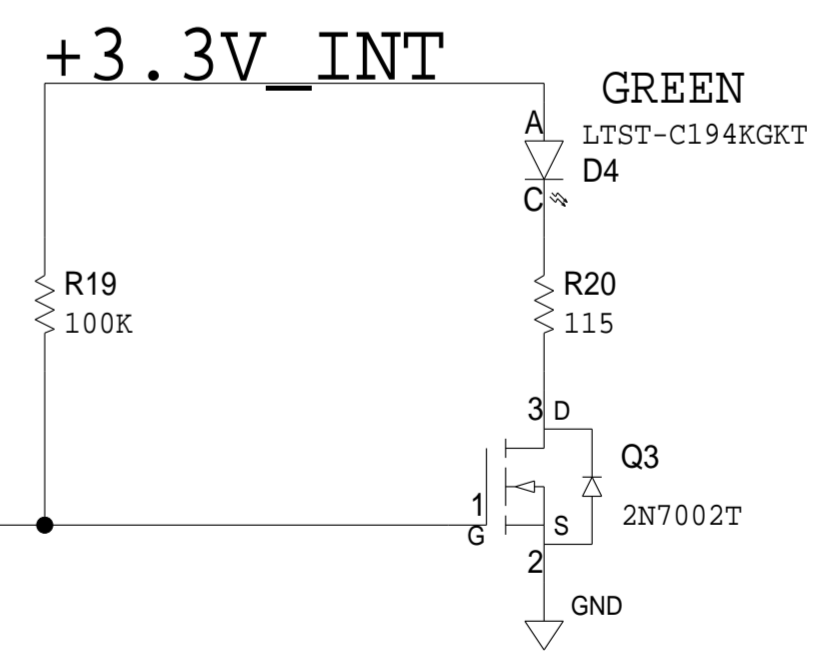
OUTPUT BUSES



POSITIVE

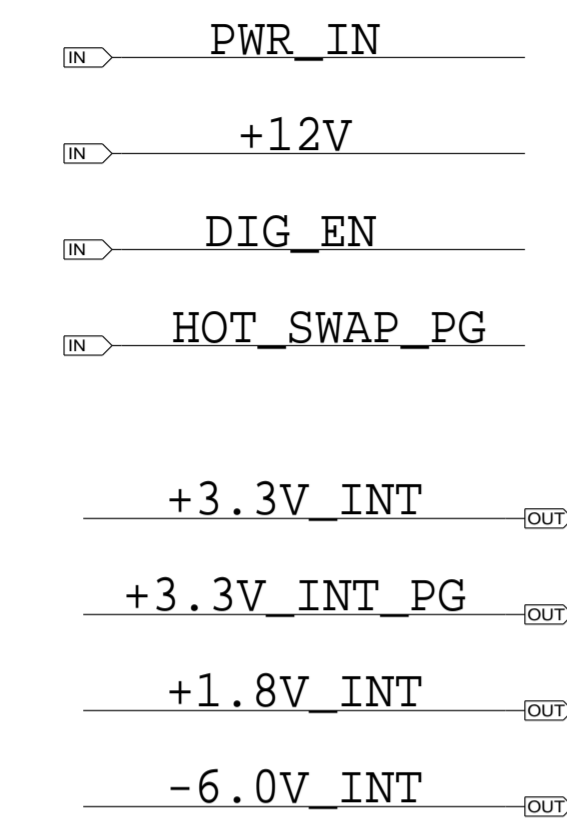


LED ON AFTER ALL RAILS ARE UP



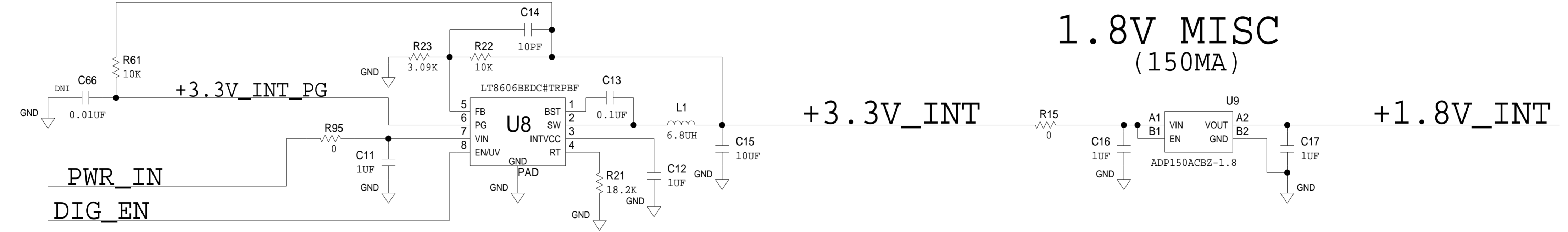
	SCHEMATIC		
	HW TYPE : Customer Evaluation Z Product(s): ADAR1000 : ADTR1107		
	DESIGN VIEW <DESIGN_VIEW>	DRAWING NO. 02_059522	REV B
PTD ENGINEER <PTD_ENGINEER>	SIZE D	SCALE 1:1	SHEET 14 OF 19

PAGE IO

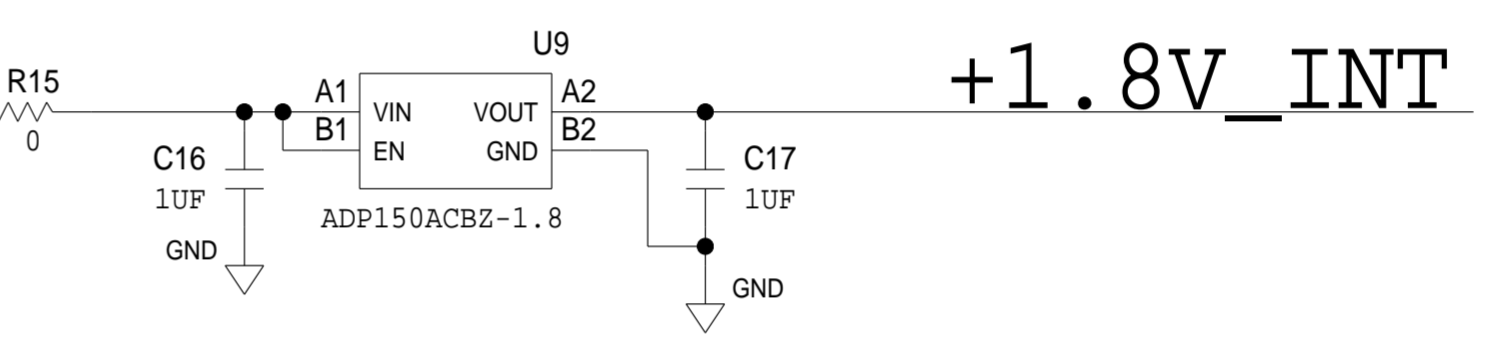


REVISIONS			
REV	DESCRIPTION	DATE	APPROVED

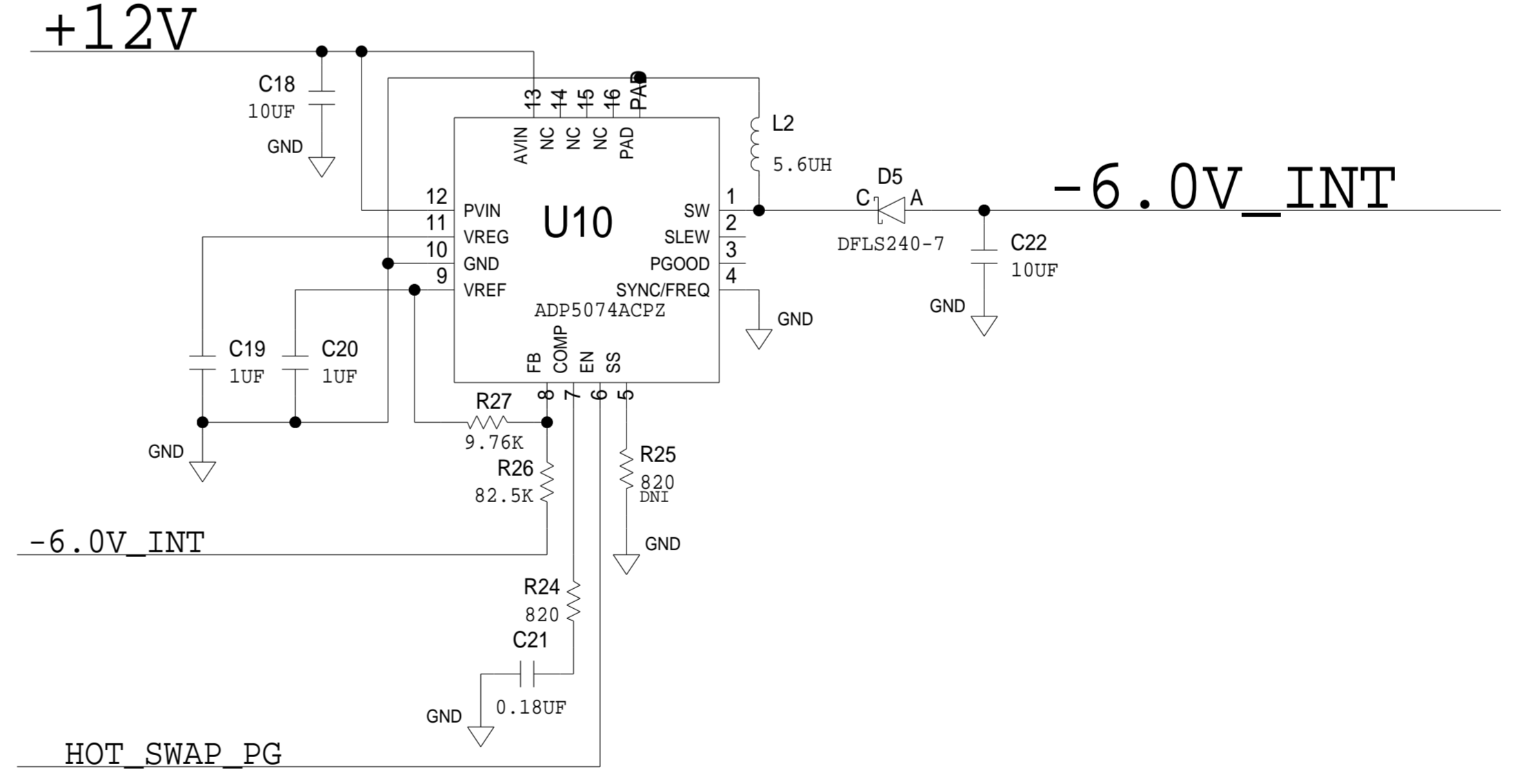
3.3V MISC (350MA)



1.8V MISC (150MA)



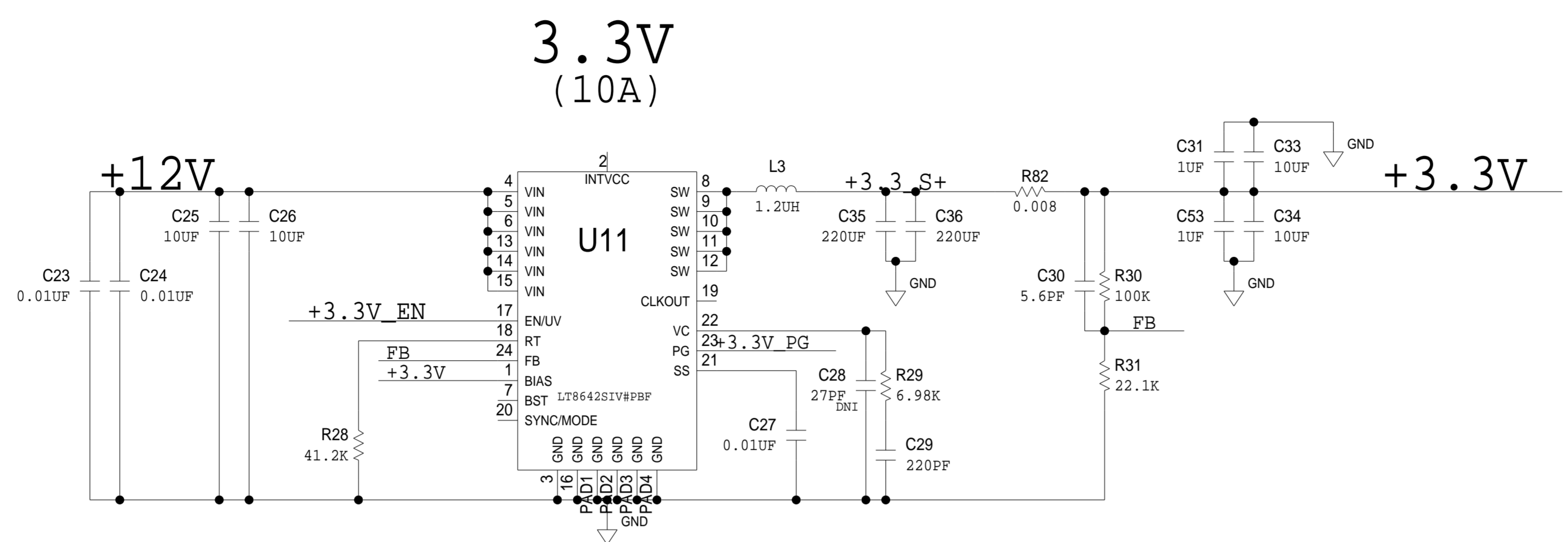
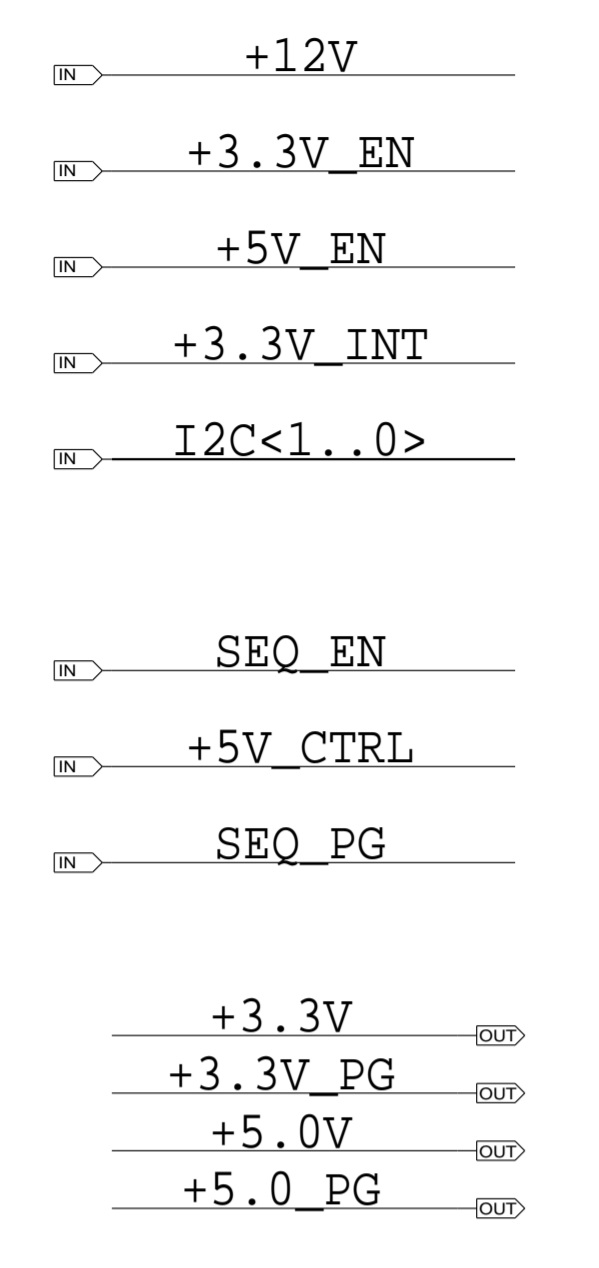
-6.0V MISC (800MA)



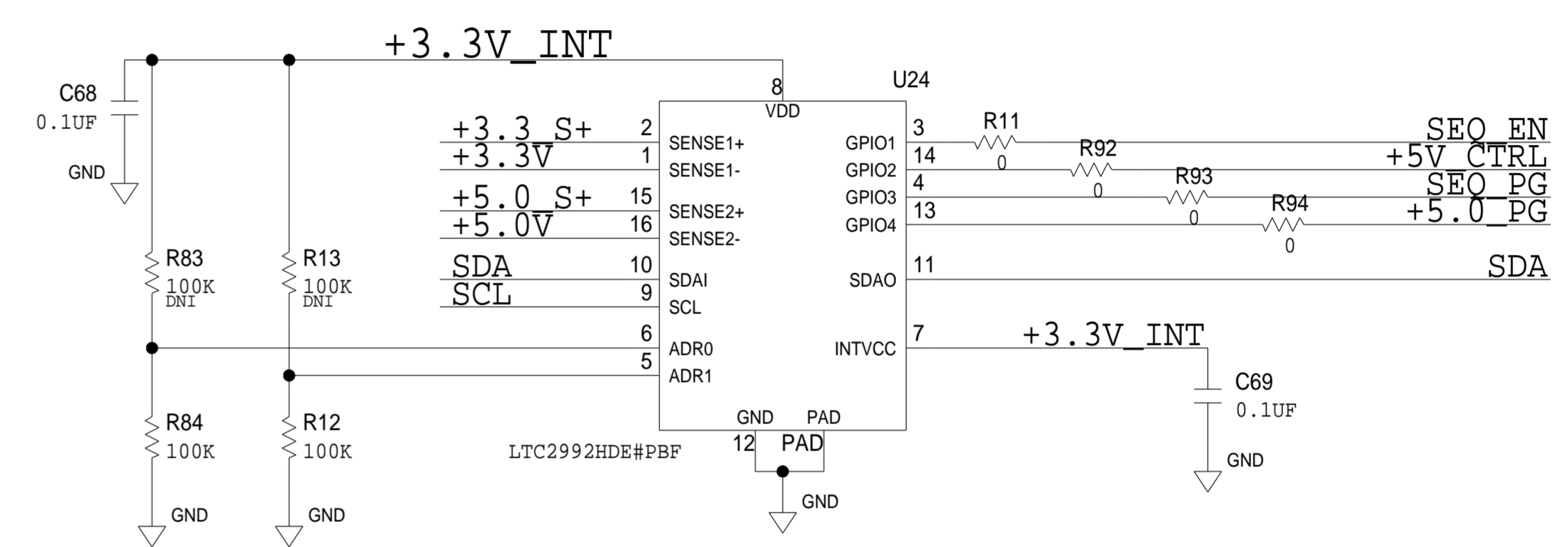
	SCHEMATIC		
	HW TYPE : Customer Evaluation Z Product(s) : ADAR1000 : ADTR1107		
	DESIGN VIEW <DESIGN_VIEW>	DRAWING NO. 02_059522	REV B
	PTD ENGINEER <PTD_ENGINEER>	SIZE D	SCALE 1:1
		SHEET 15 OF 19	

REVISIONS			
REV	DESCRIPTION	DATE	APPROVED

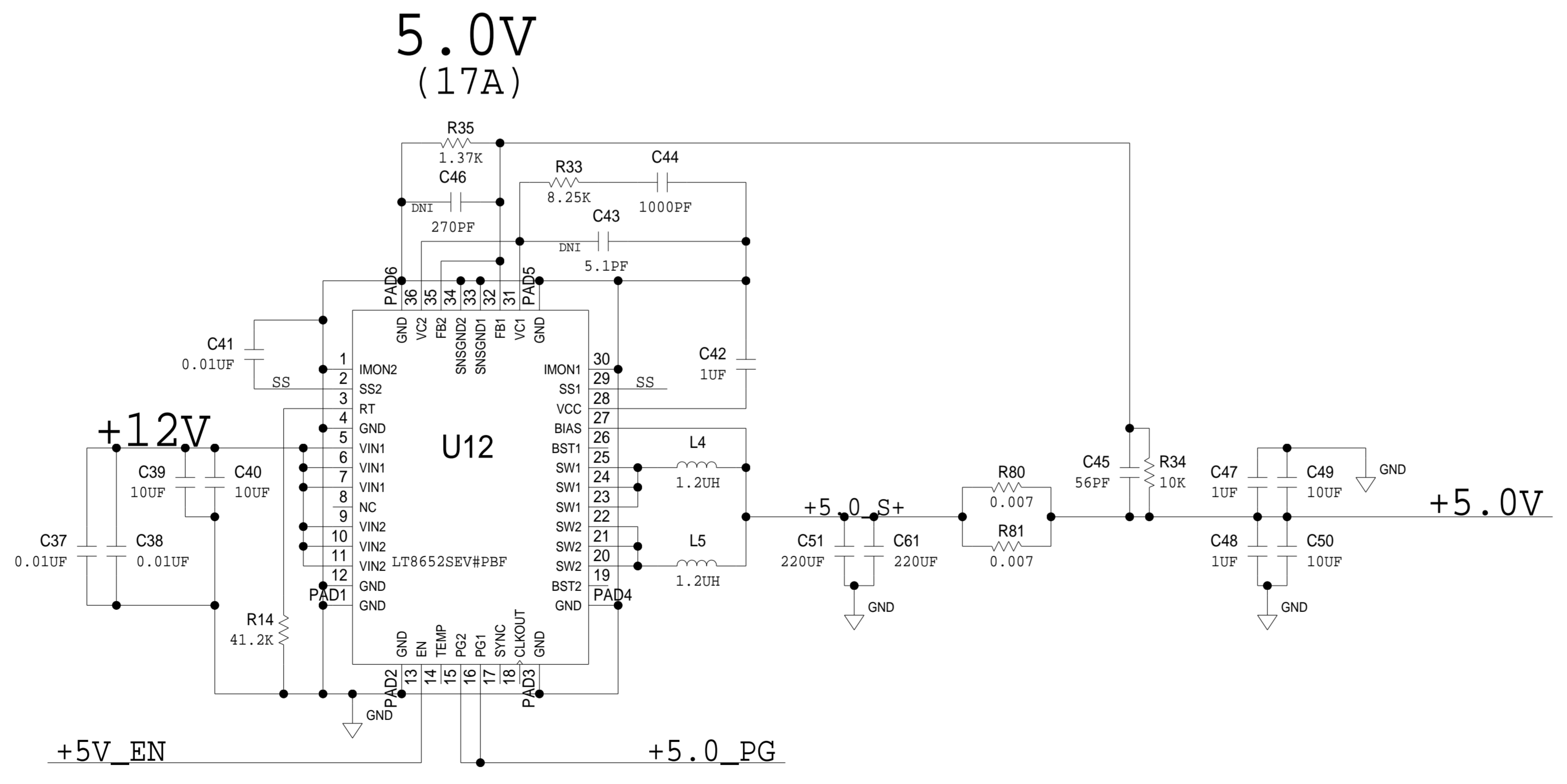
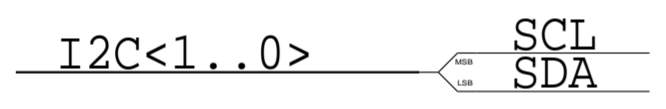
PAGE IO



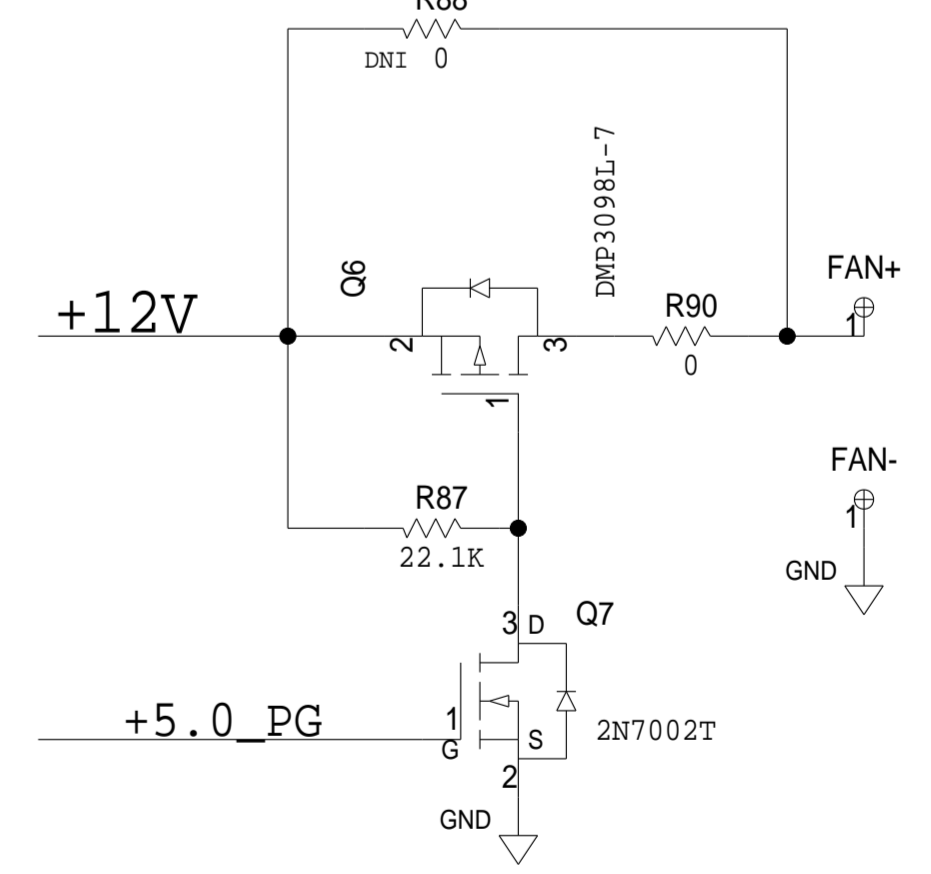
CURRENT MONITOR/GPIO



INPUT BUS



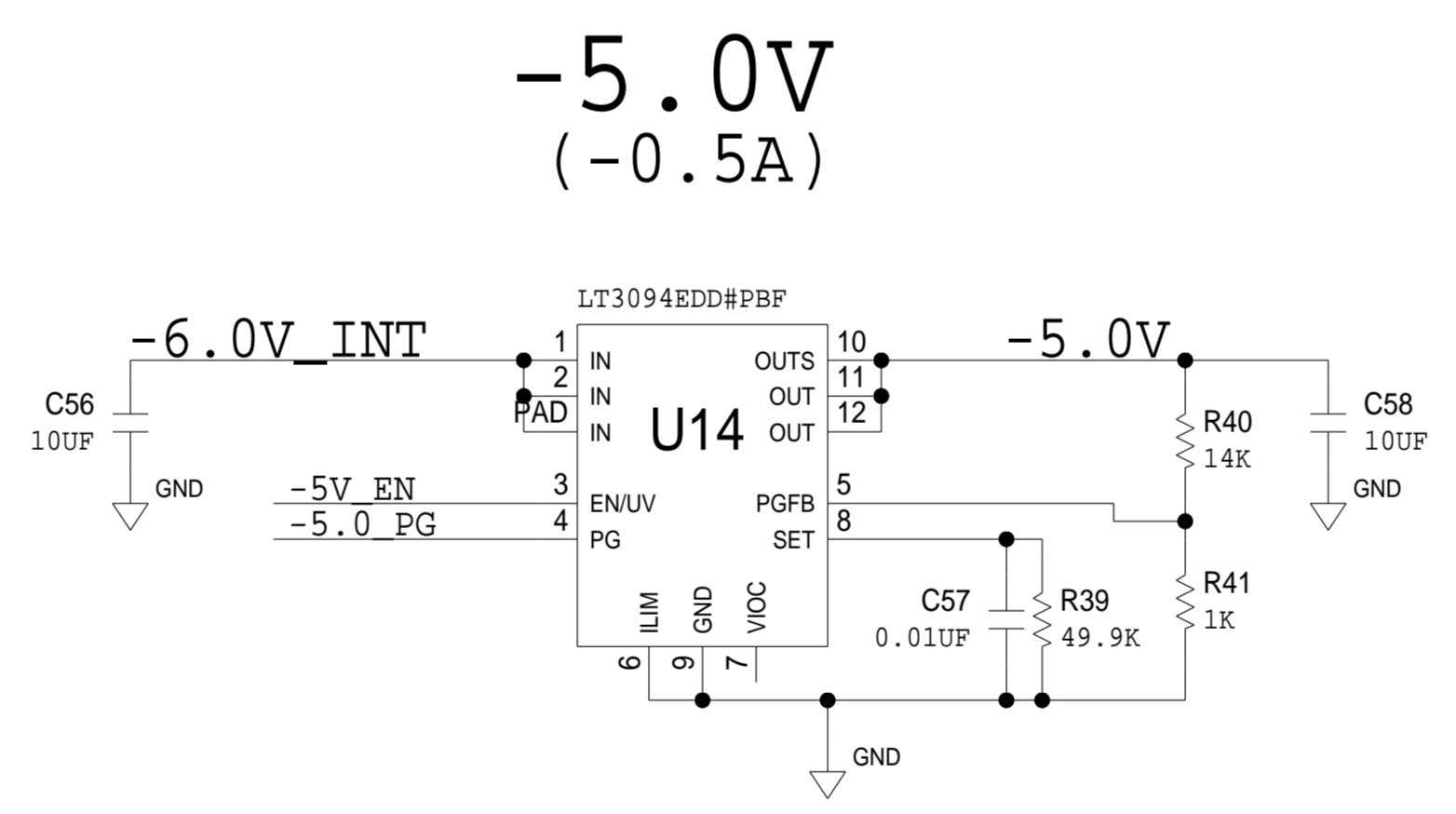
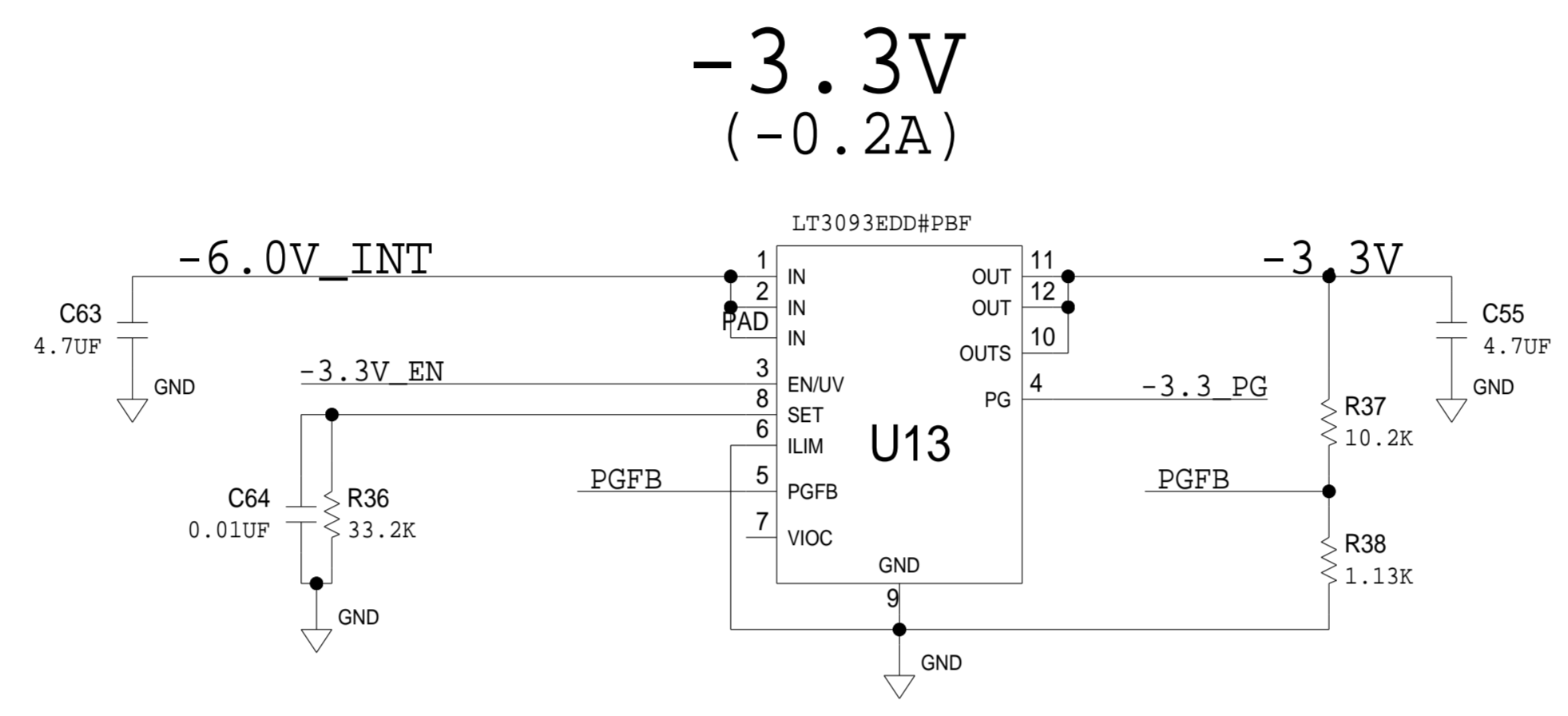
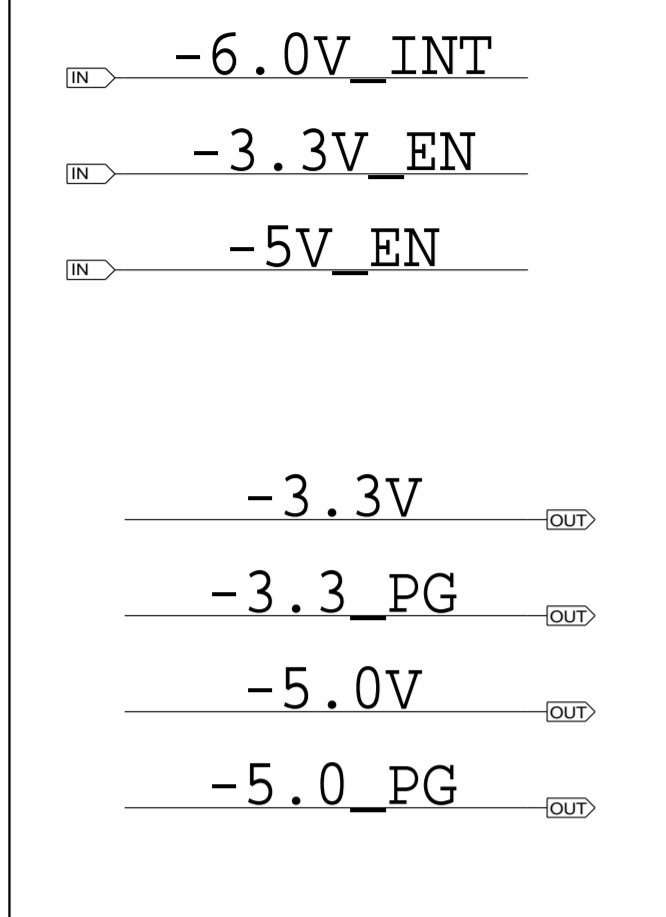
EXTERNAL FAN POWER



	SCHEMATIC		
	HW TYPE : Customer Evaluation Z Product(s) : ADAR100 : ADTR1107		
	DESIGN VIEW <DESIGN_VIEW>	DRAWING NO. 02_059522	REV B
	PTD ENGINEER <PTD_ENGINEER>	SIZE D	SCALE 1:1
		SHEET 16 OF 19	

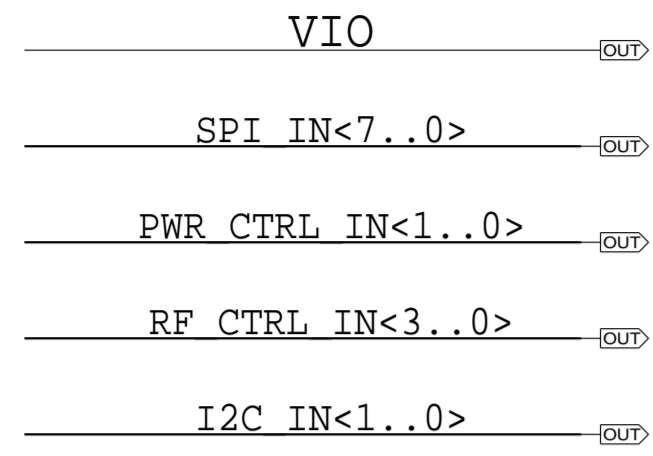
REVISIONS			
REV	DESCRIPTION	DATE	APPROVED

PAGE IO

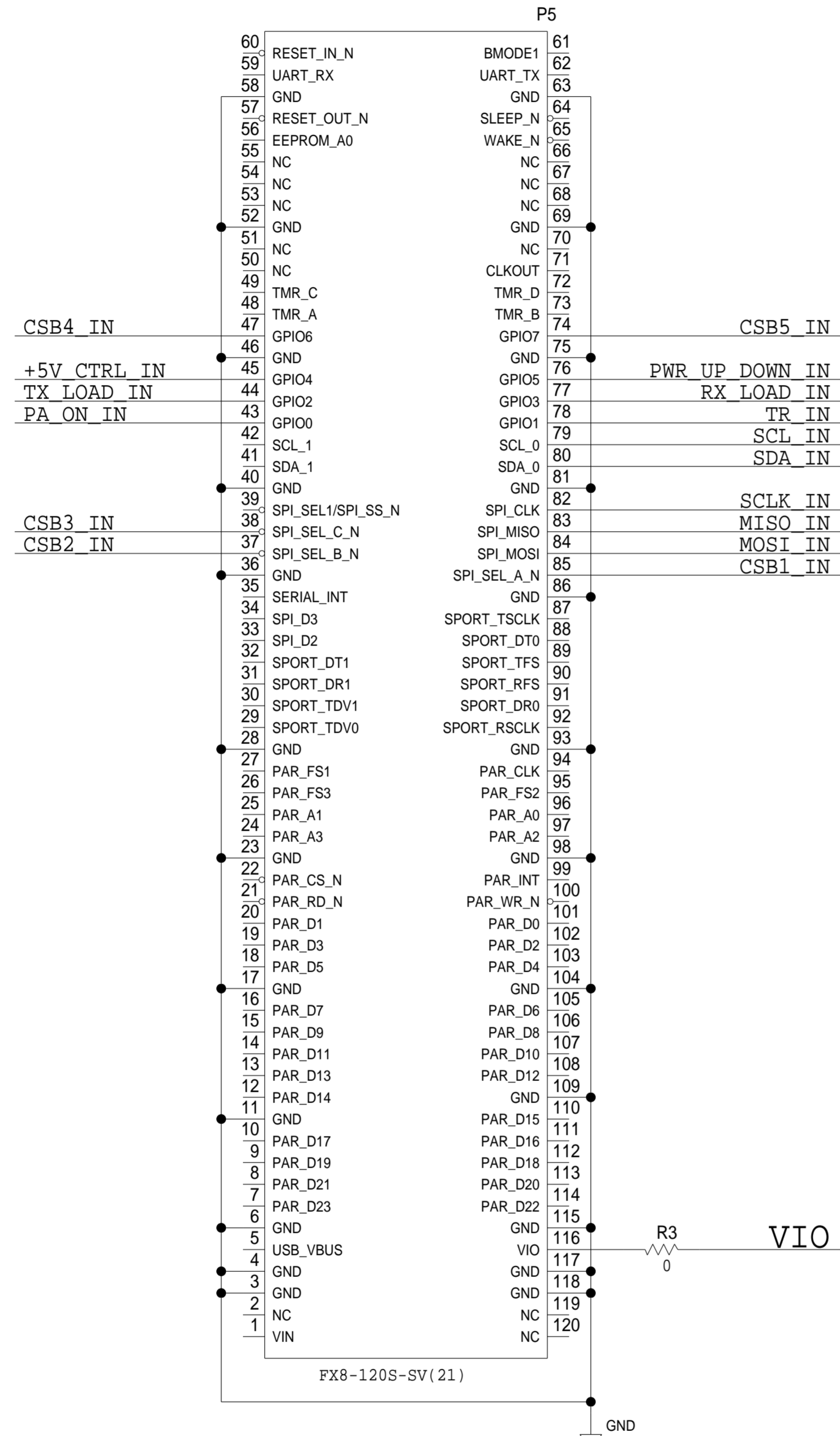


	SCHEMATIC		
	HW TYPE : Customer Evaluation Z Product(s) : ADAR1000 : ADTR1107		
DESIGN VIEW <DESIGN_VIEW>	DRAWING NO. 02_059522	REV B	SIZE D
PTD ENGINEER <PTD_ENGINEER>	SCALE 1:1	SHEET 17 OF 19	1

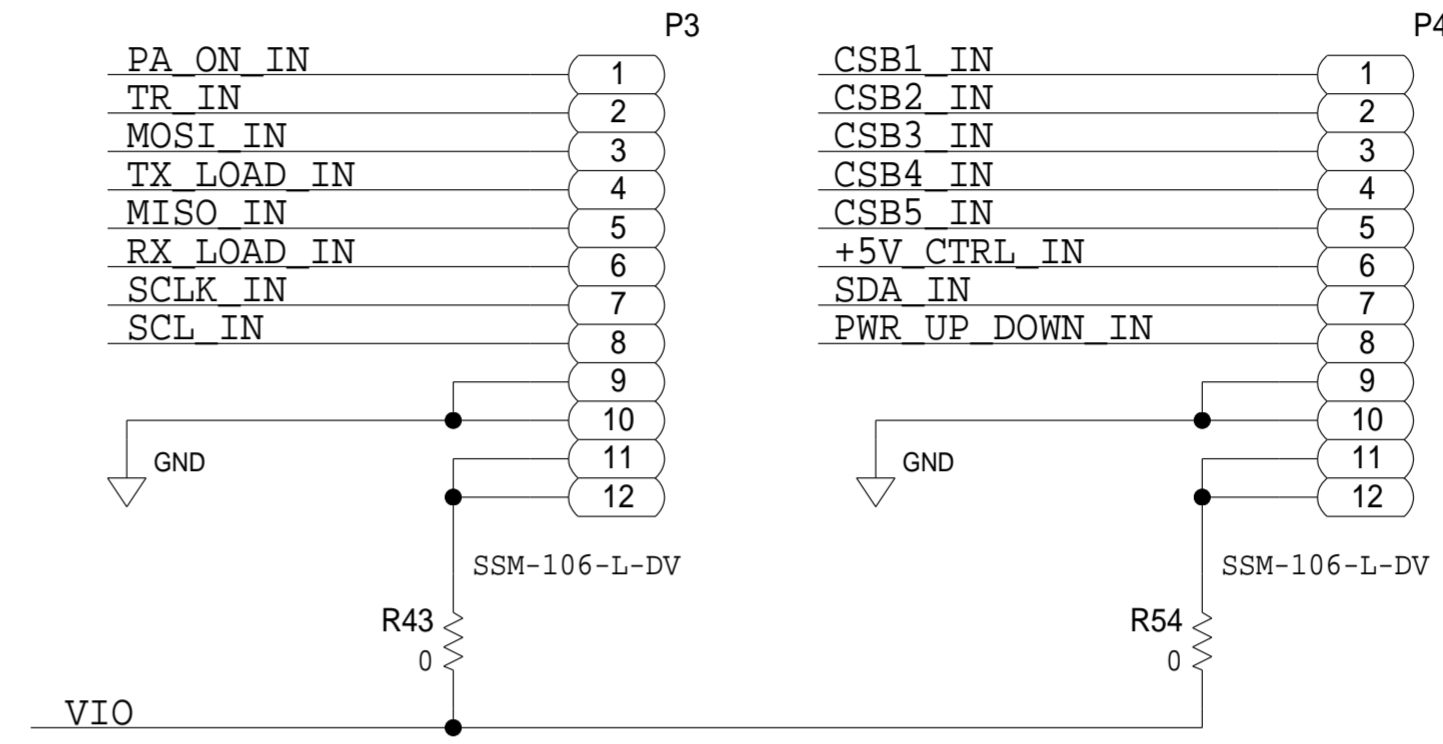
PAGE IO



SDP

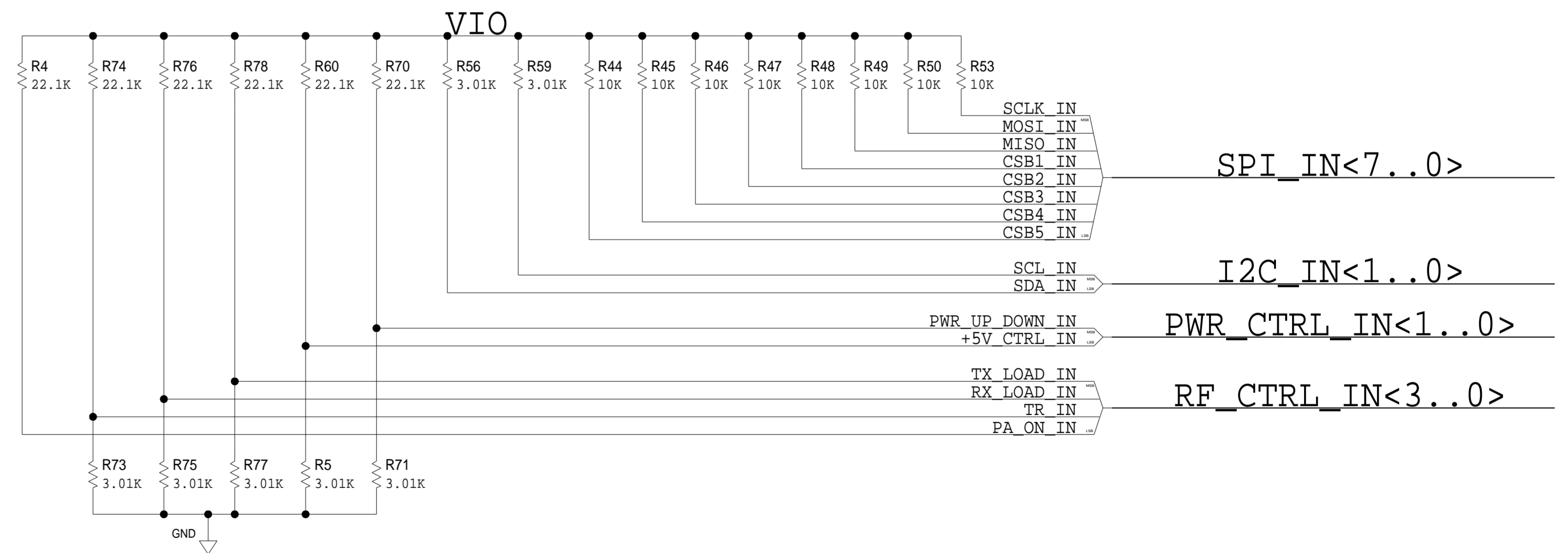


PMOD



CSB 1-4 USED FOR ADAR1000 PARTS
CSB 5 USED FOR RF DET./ADC COMBO

OUTPUT BUSES AND
DEFAULT SET RESISTORS



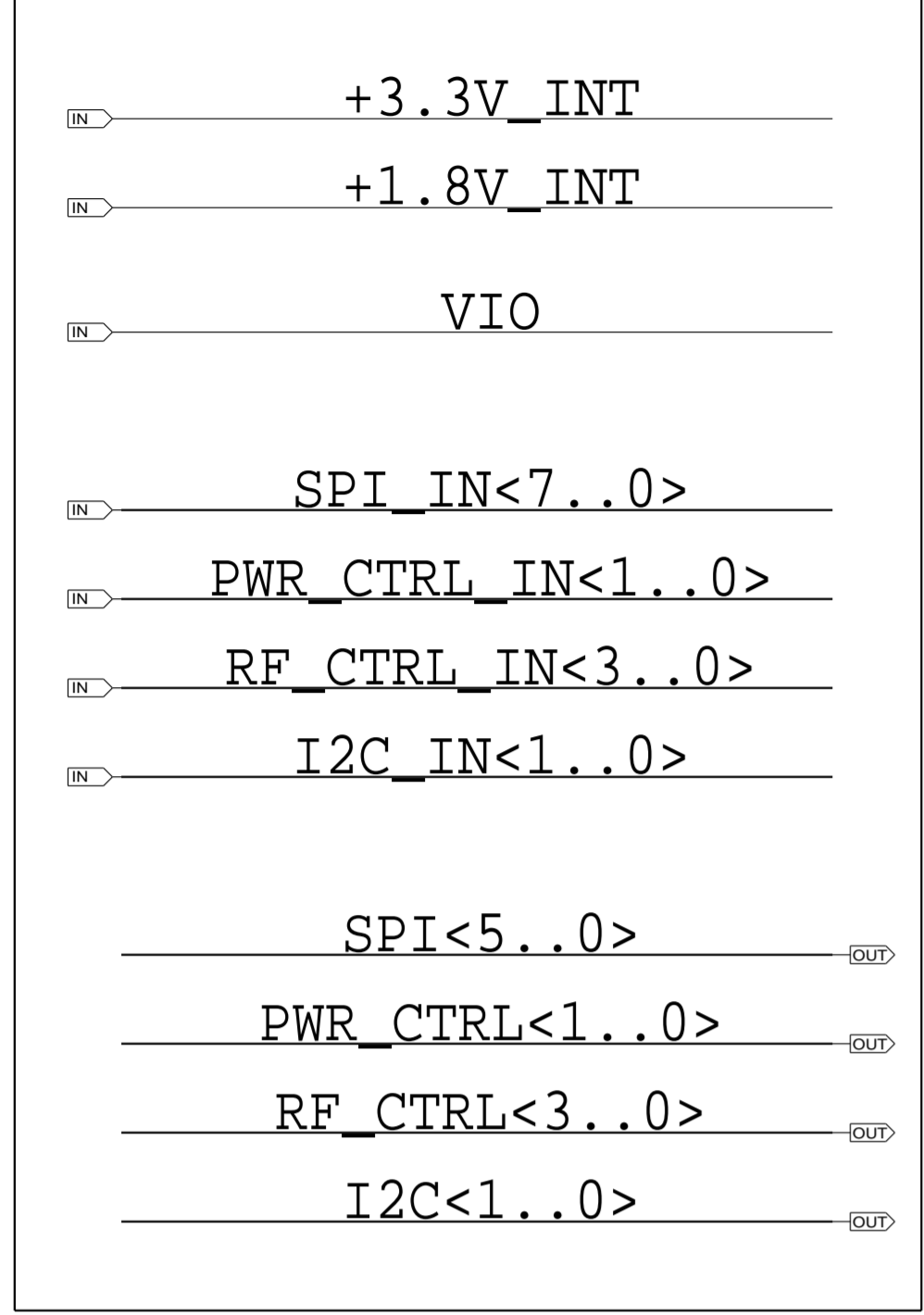
NOTE:
VIO AND INPUT LOGIC LEVEL IS EXPECTED TO BE +3.3V IF USING THESE CONNECTORS

REVISIONS			
REV	DESCRIPTION	DATE	APPROVED

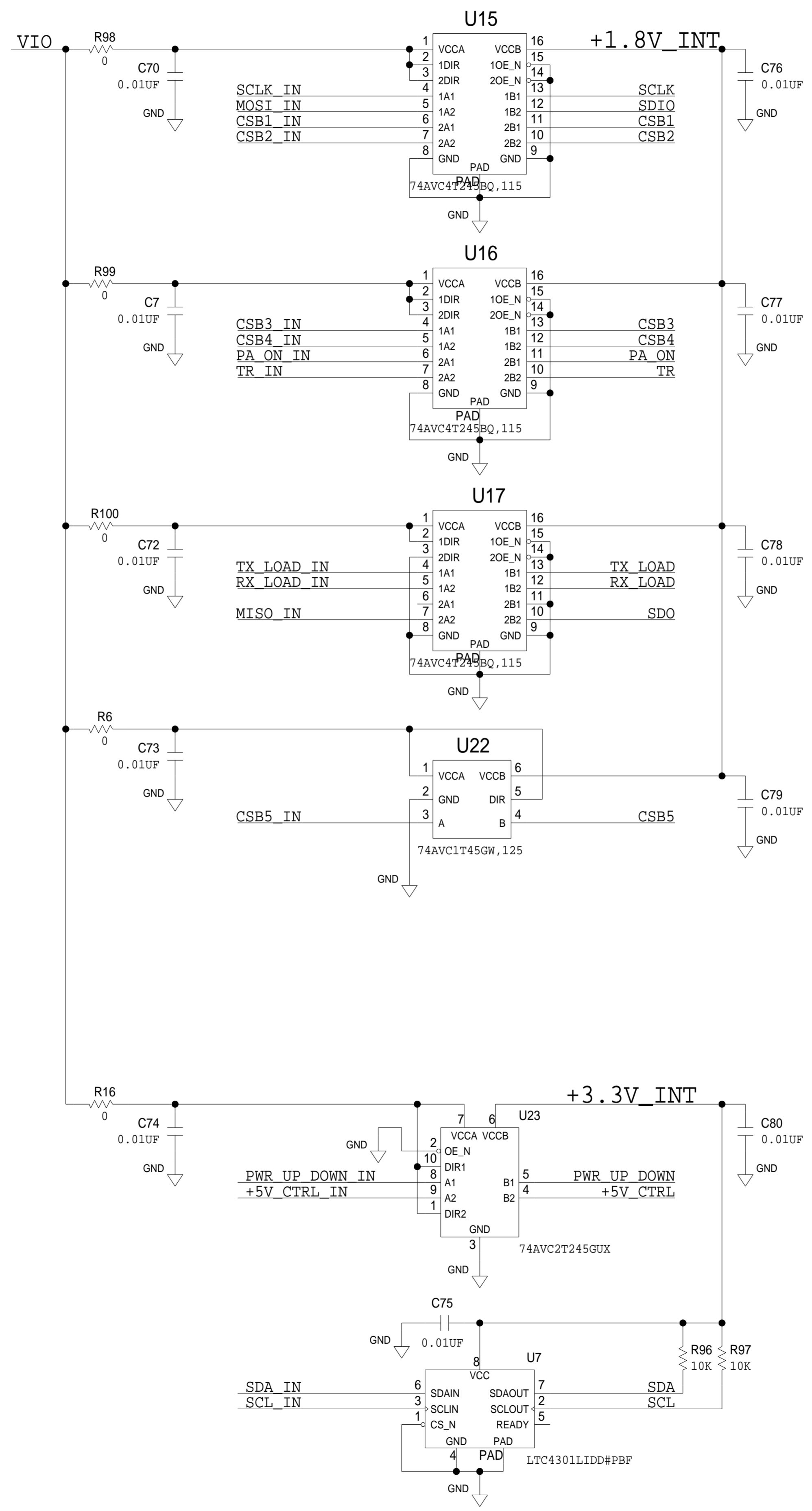
		SCHEMATIC	
		HW TYPE : Customer Evaluation Z Product(s): ADAR1000 : ADR1107	
DESIGN VIEW <DESIGN_VIEW>	DRAWING NO. 02_059522	REV B	
PTD ENGINEER <PTD_ENGINEER>	SIZE D	SCALE 1:1	SHEET 18 OF 19

REVISIONS			
REV	DESCRIPTION	DATE	APPROVED

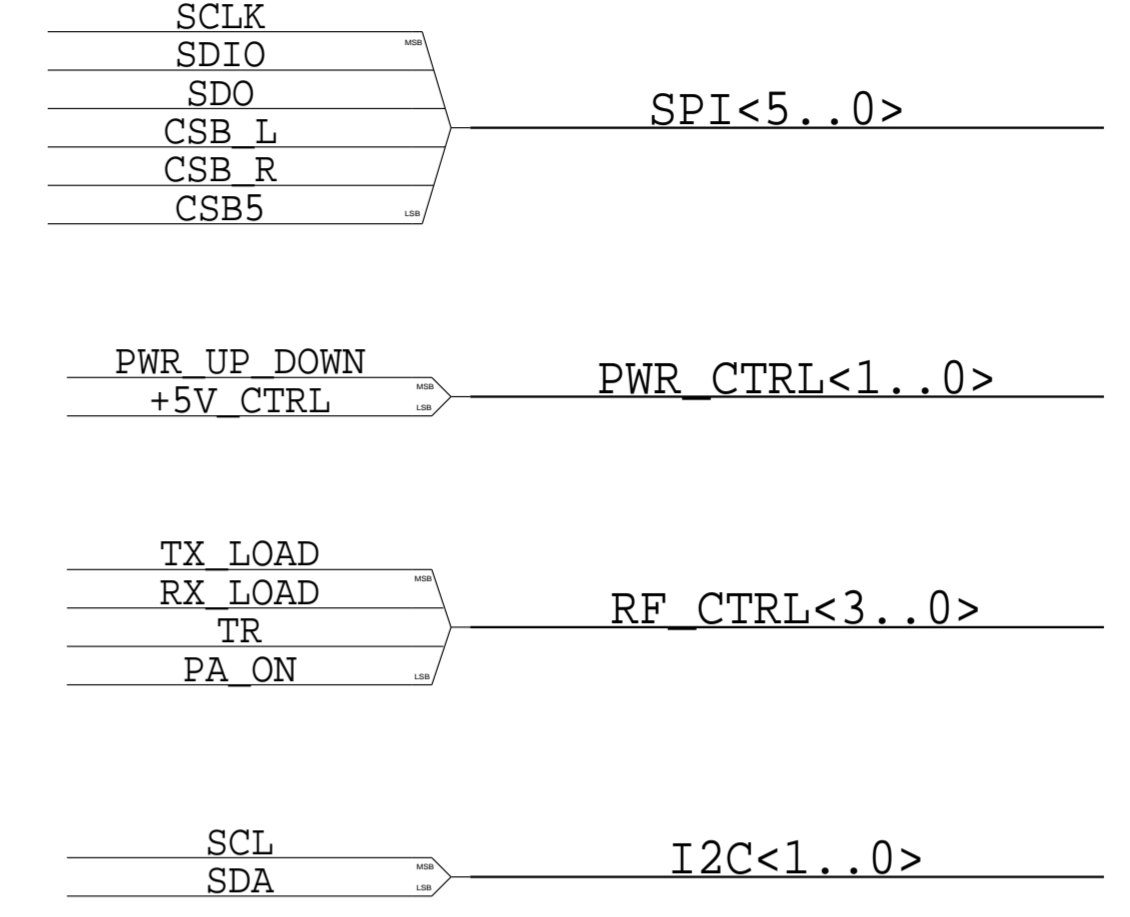
PAGE IO



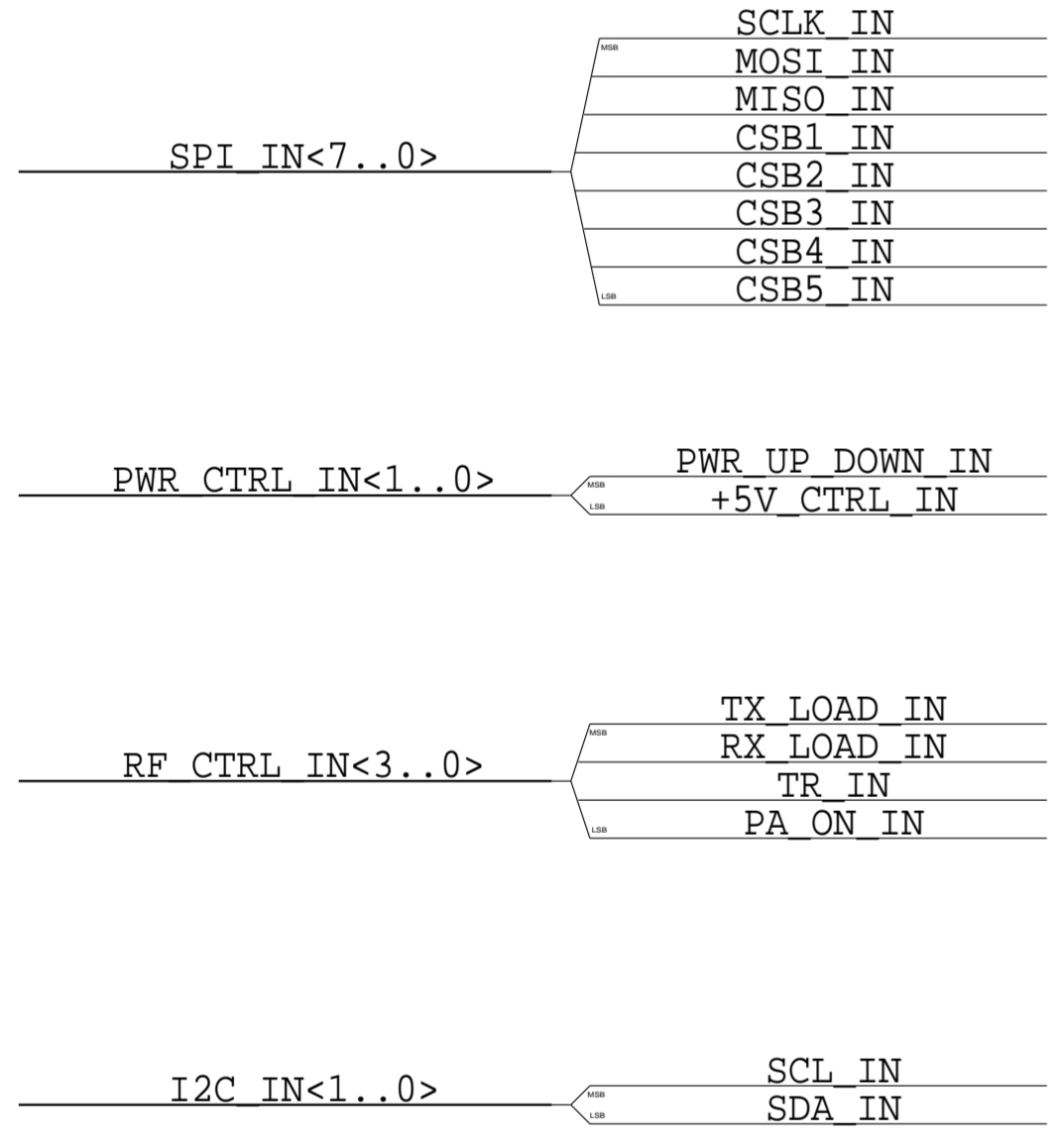
LEVEL SHIFTERS



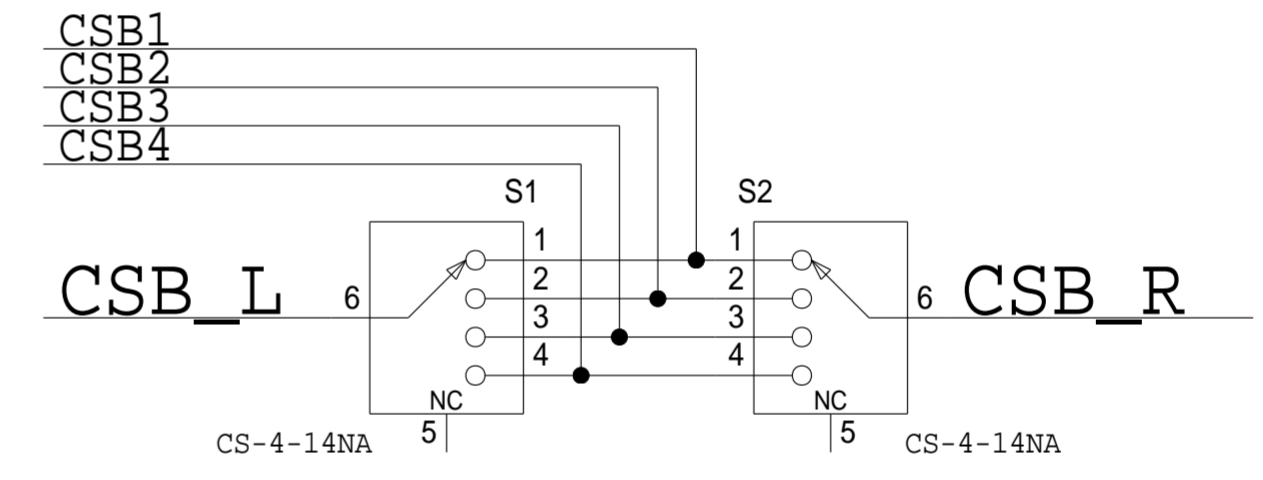
OUTPUT BUSES



INPUT BUSES



CSB SELECTORS



1.8V TEST POINTS

SCLK	SCLK	PA_ON	PA_ON
SDIO	SDIO	TR	TR
CSB1	CSB1	TX_LOAD	TX_LOAD
CSB2	CSB2	RX_LOAD	RX_LOAD
CSB3	CSB3	SDO	SDO
CSB4	CSB4	CSB5	CSB5

NOTE:
INPUT LOGIC LEVEL IS EXPECTED TO BE 1.8V IF USING THE TEST POINTS DIRECTLY

	SCHEMATIC		
	HW TYPE : Customer Evaluation Z Product(s) : ADAR1000 : ADTR1107		
DESIGN VIEW	DRAWING NO.	REV	
<DESIGN_VIEW>	02_059522	B	
PTD ENGINEER	SIZE	SCALE	SHEET 19 OF 19
<PTD_ENGINEER>	D	1:1	