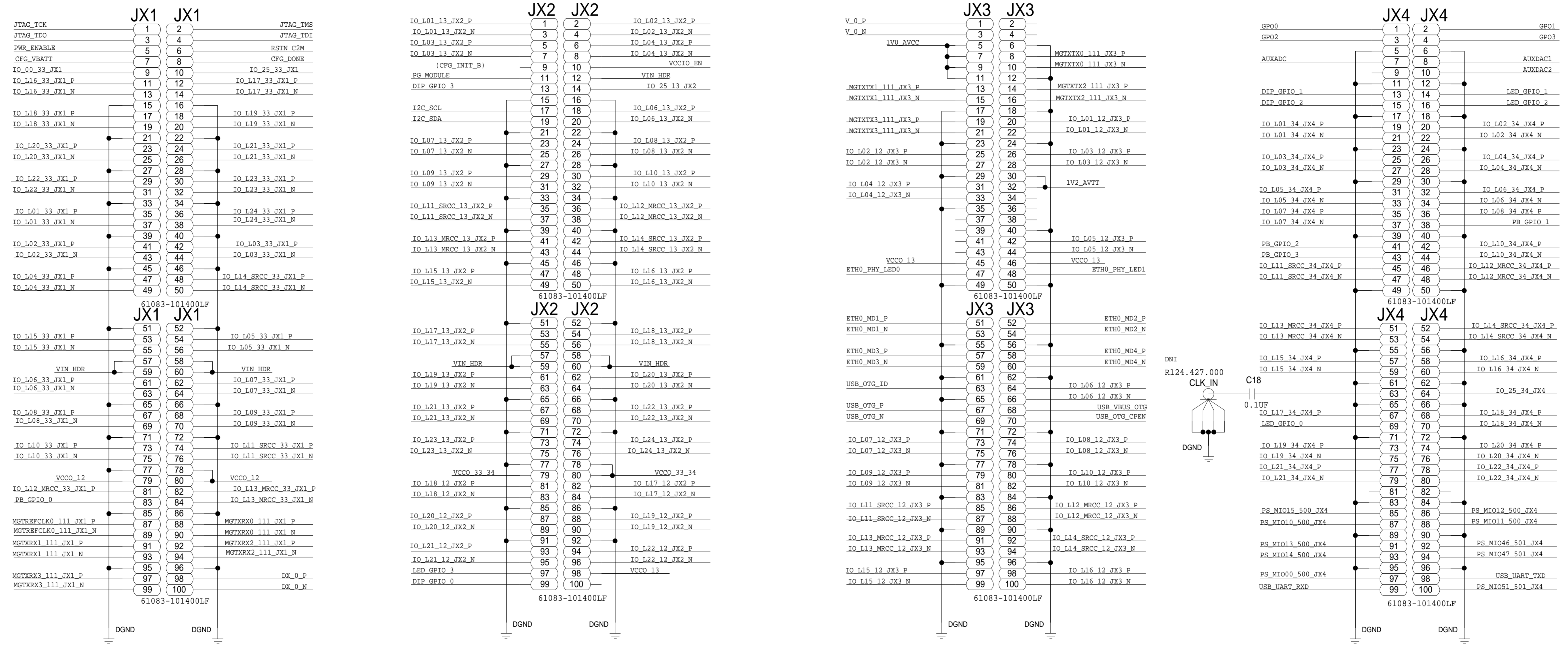


AD9361-ZYNQ CARRIER TO MODULE CONNECTORS

REVISIONS			
REV	DESCRIPTION	DATE	APPROVED



MGTXRK0_111_JX1_P	==	MGTXTX0_111_JX3_P
MGTXRK0_111_JX1_N	==	MGTXTX0_111_JX3_N
MGTXRK1_111_JX1_P	==	MGTXTX1_111_JX3_P
MGTXRK1_111_JX1_N	==	MGTXTX1_111_JX3_N
MGTXRK2_111_JX1_P	==	MGTXTX2_111_JX3_P
MGTXRK2_111_JX1_N	==	MGTXTX2_111_JX3_N
MGTXRK3_111_JX1_P	==	MGTXTX3_111_JX3_P
MGTXRK3_111_JX1_N	==	MGTXTX3_111_JX3_N

	SCHEMATIC		
	HW TYPE : Customer Evaluation Product(s) : ADP50 : ADP5052		
DESIGN VIEW <DESIGN_VIEW>	DRAWING NO. 02_039931	REV C2	
PTD ENGINEER C. ELKHOURY	SIZE D	SCALE 1:1	SHEET 2 OF 7

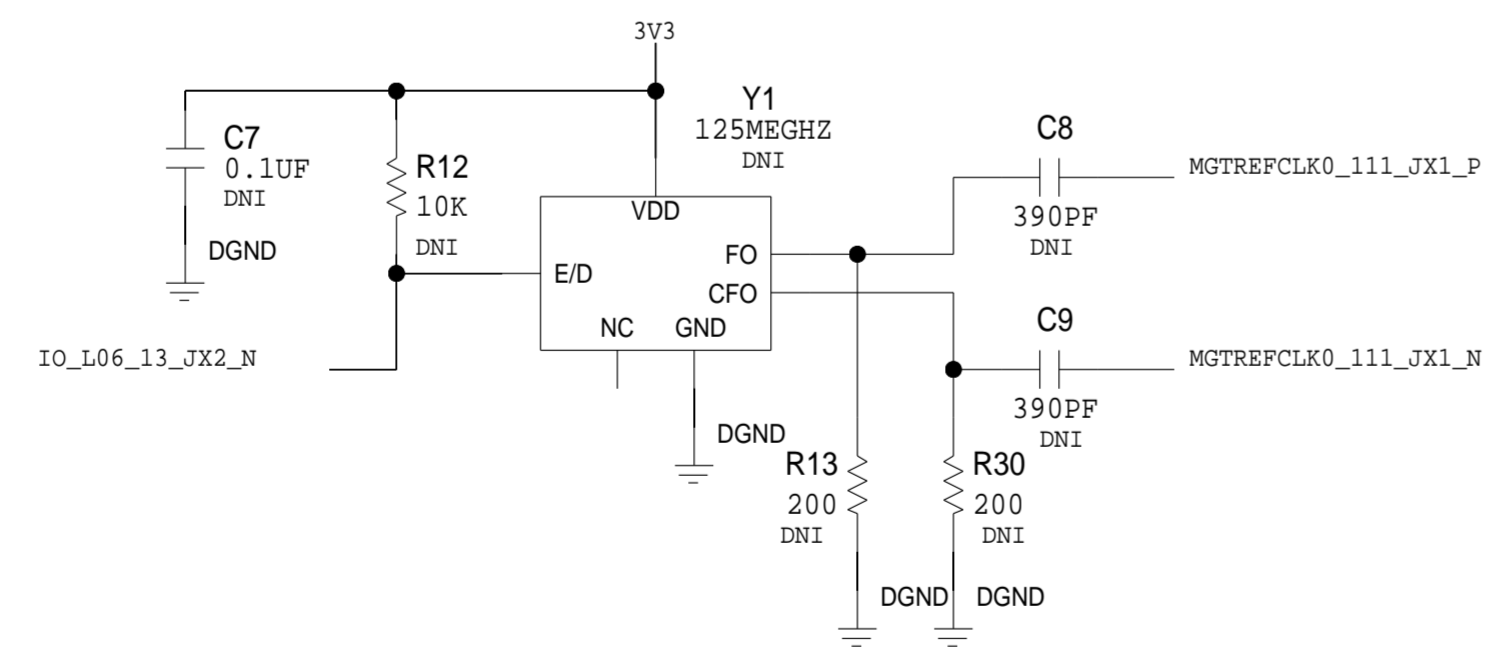
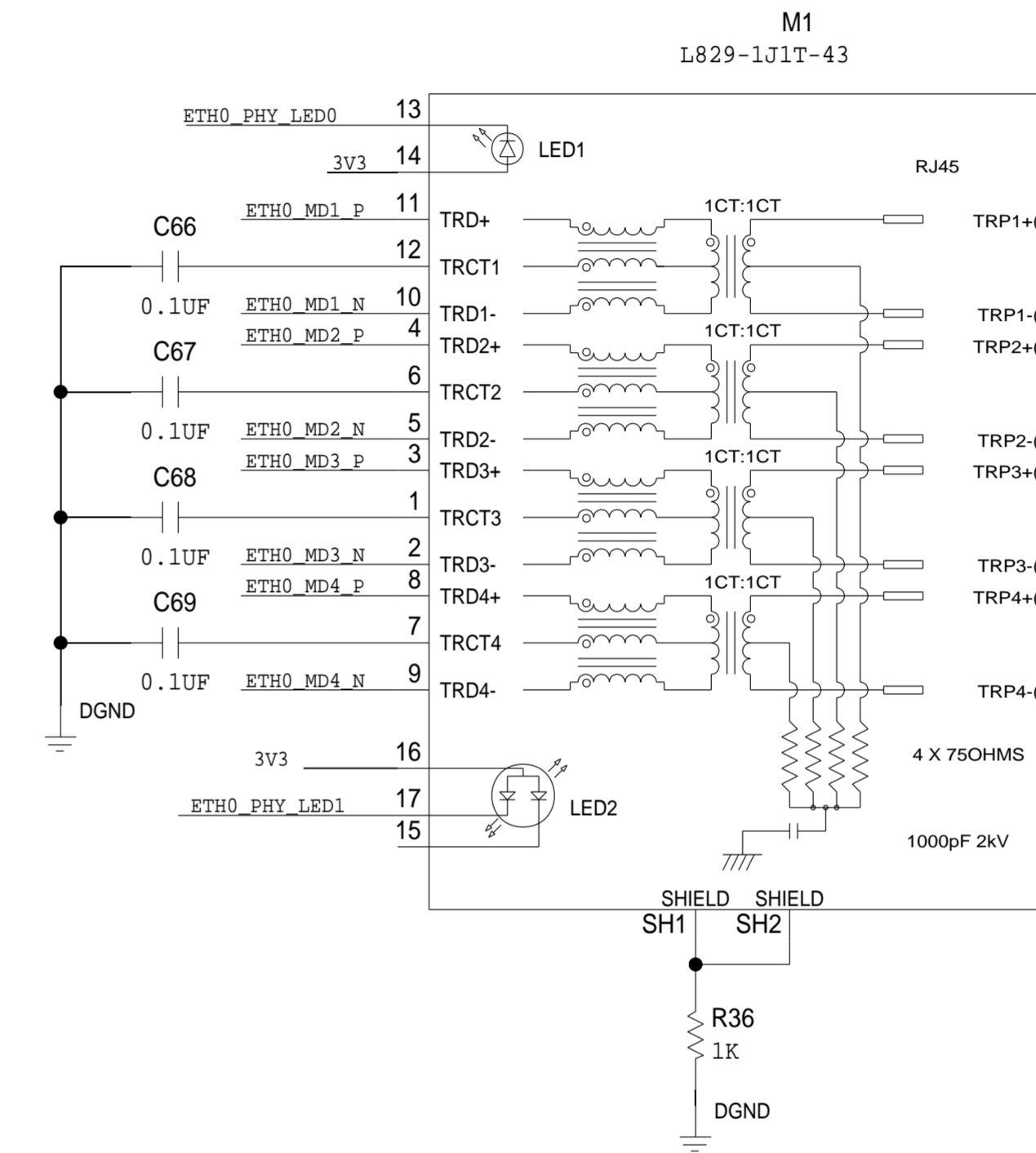
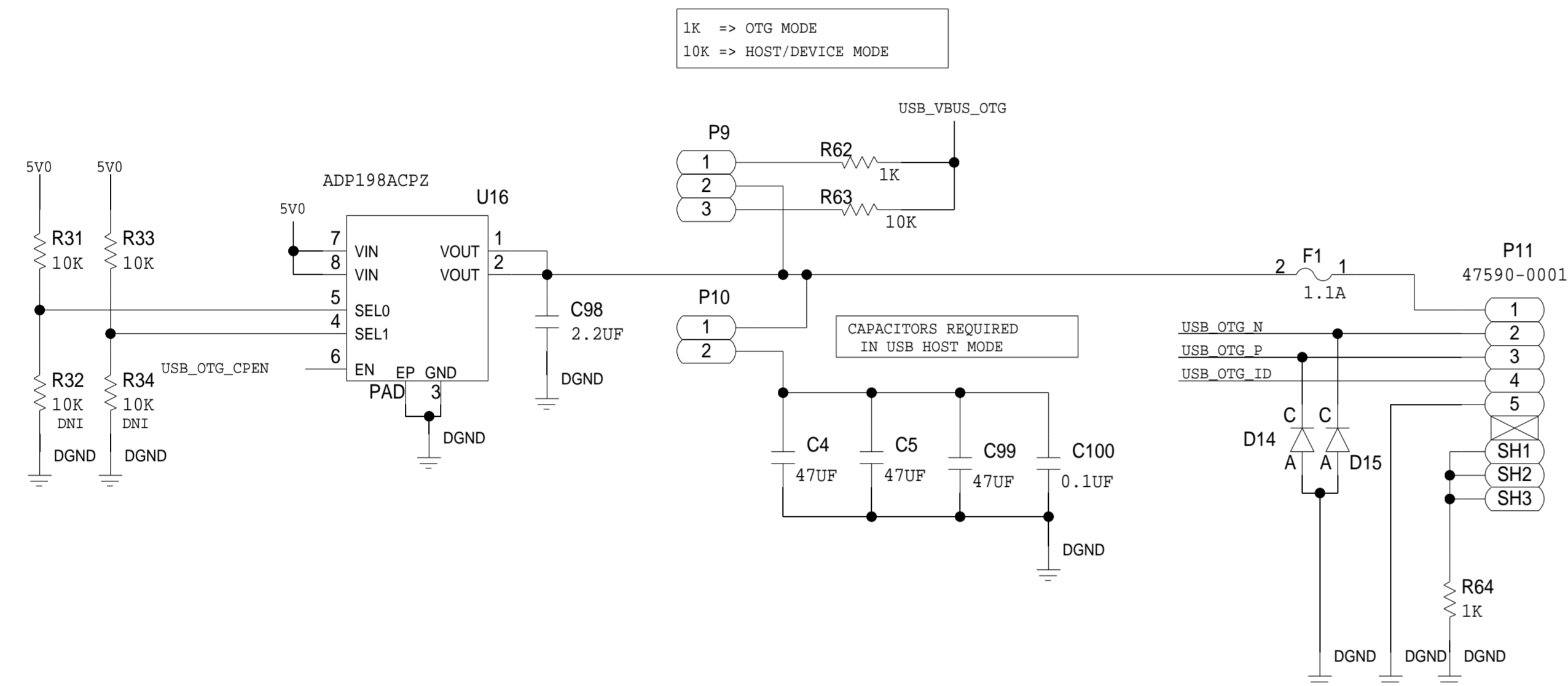
THIS DRAWING IS THE PROPERTY OF ANALOG DEVICES INC. IT IS NOT TO BE REPRODUCED OR COPIED IN WHOLE OR IN PART, OR USED IN ANY MANNER THAT IS DETRIMENTAL TO THE INTERESTS OF ANALOG DEVICES. THE EQUIPMENT SHOWN HEREON MAY BE PROTECTED BY PATENTS OWNED OR CONTROLLED BY ANALOG DEVICES.

USB AND ETHERNET CONNECTORS

PASSIVE CONN

REVISIONS

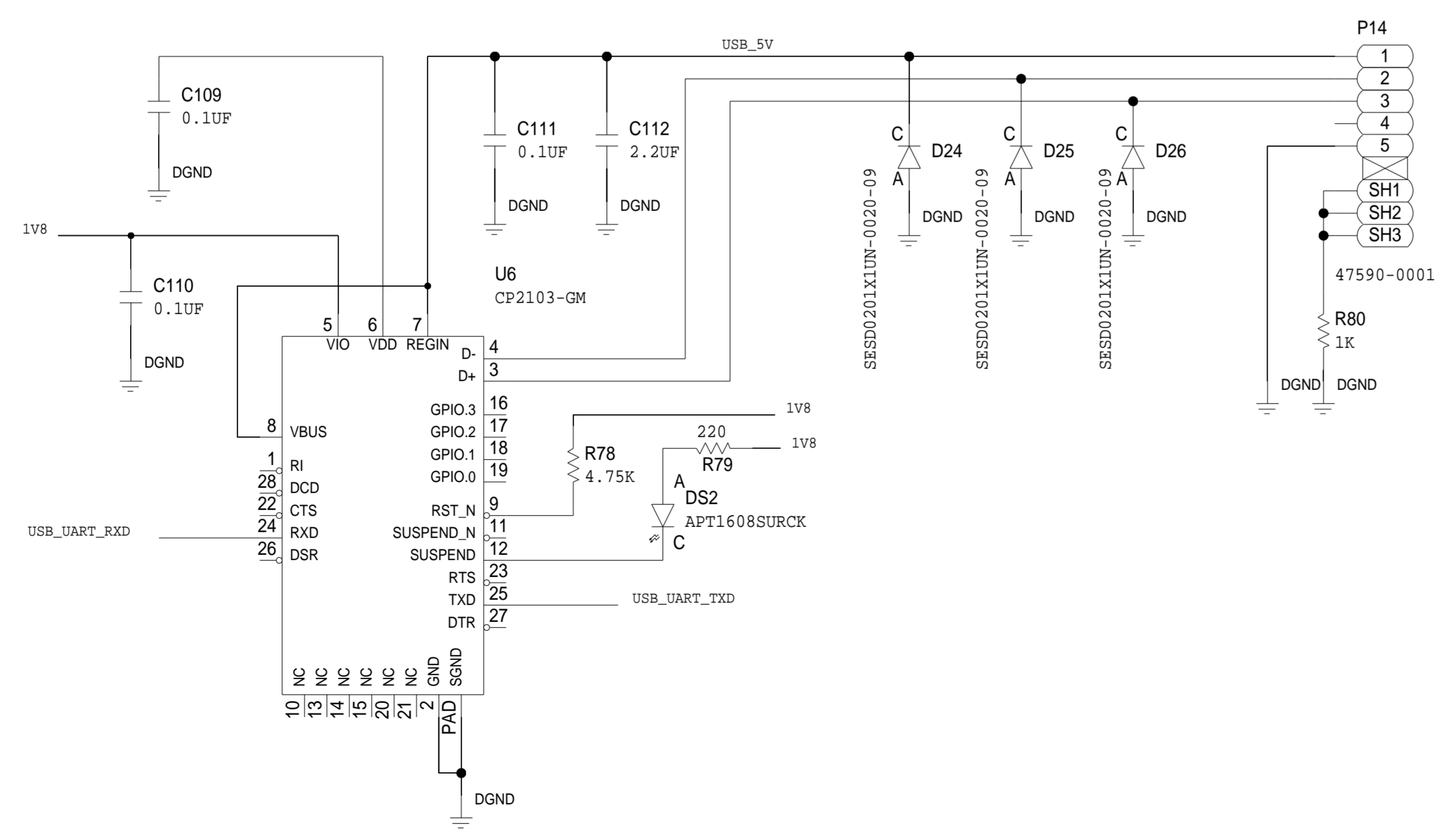
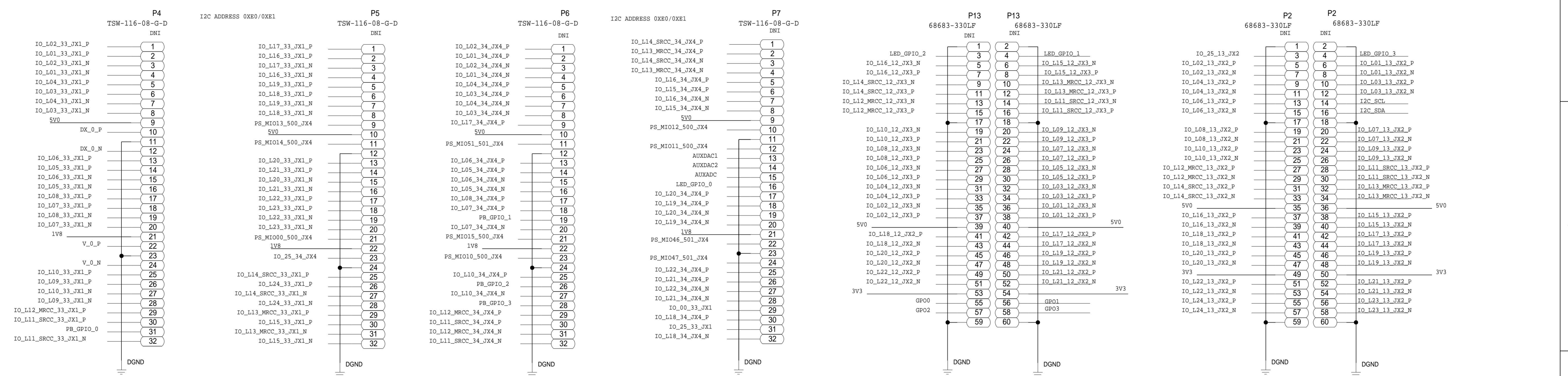
REV	DESCRIPTION	DATE	APPROVED



ANALOG DEVICES		SCHEMATIC		
<small>THIS DRAWING IS THE PROPERTY OF ANALOG DEVICES INC. IT IS NOT TO BE REPRODUCED OR COPIED, IN WHOLE OR IN PART, OR USED IN FURNISHING INFORMATION TO OTHERS, OR FOR ANY OTHER PURPOSE DETRIMENTAL TO THE INTERESTS OF ANALOG DEVICES. THE EQUIPMENT SHOWN HEREON MAY BE PROTECTED BY PATENTS OWNED OR CONTROLLED BY ANALOG DEVICES.</small>		HW TYPE : Customer Evaluation		REV C2
		Product(s) : ADP50 : ADP5052		
DESIGN VIEW <DESIGN_VIEW>		DRAWING NO. 02_039931	SHEET 3 OF 7	
PTD ENGINEER C. ELKHOURY		SIZE D	SCALE 1:1	

USB -> SERIAL, BREAKOUT

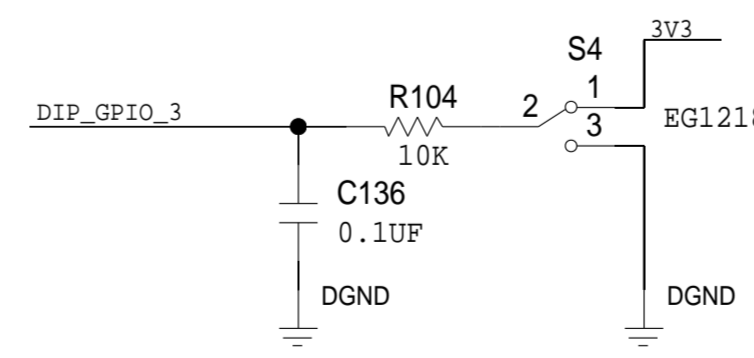
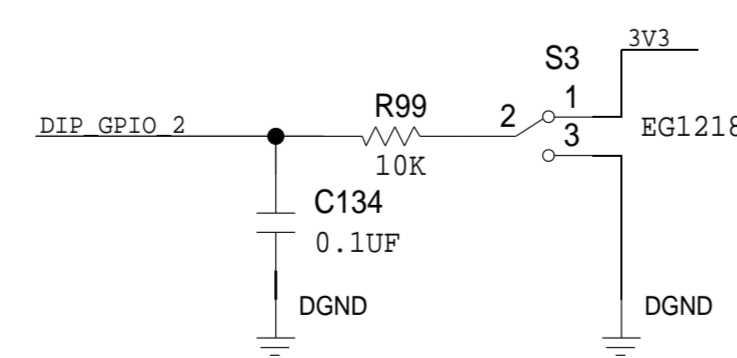
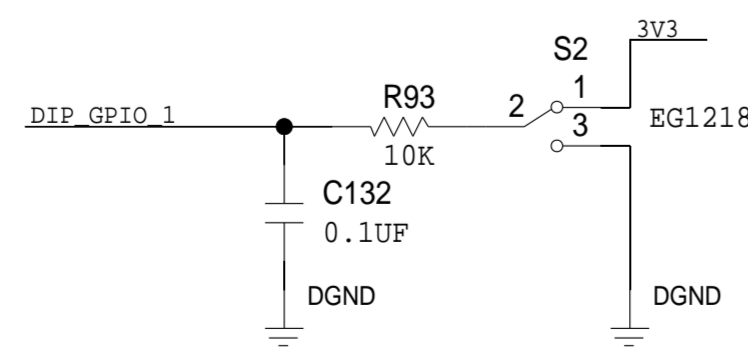
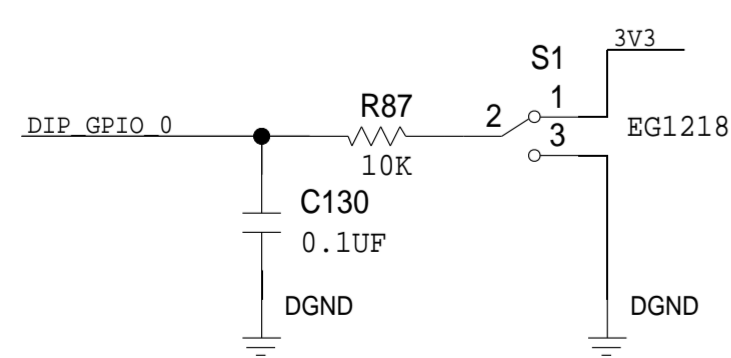
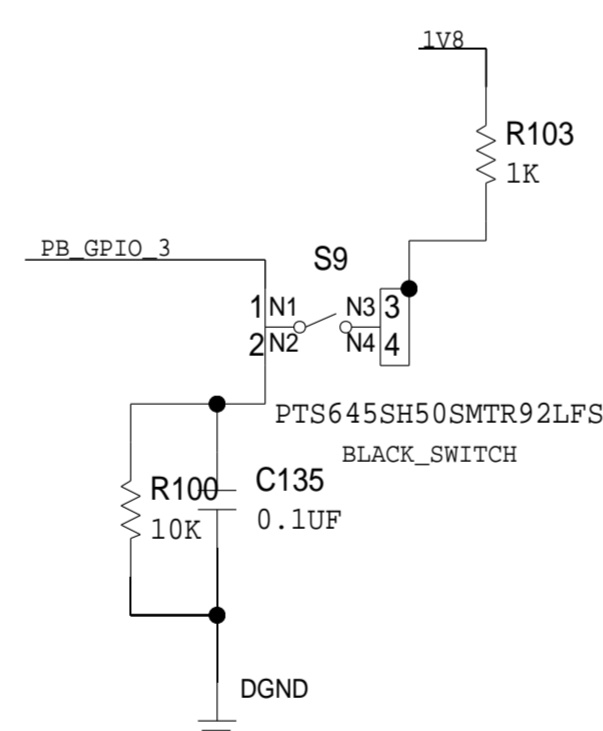
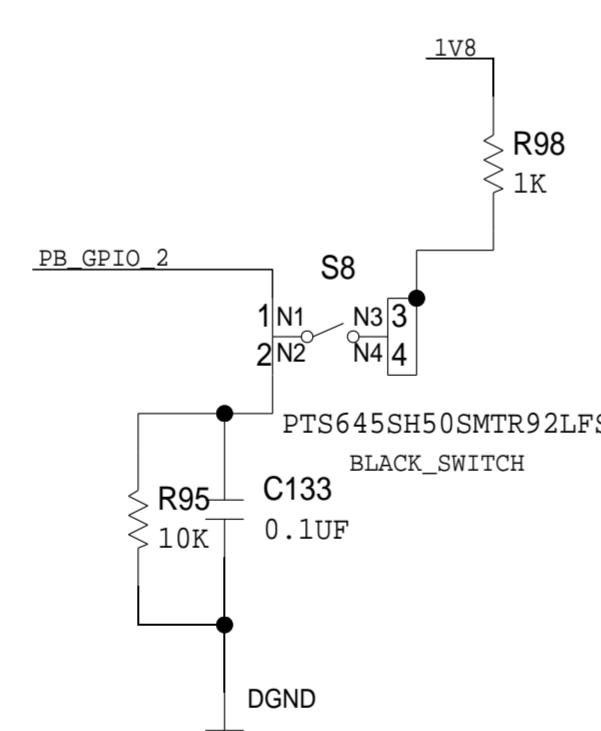
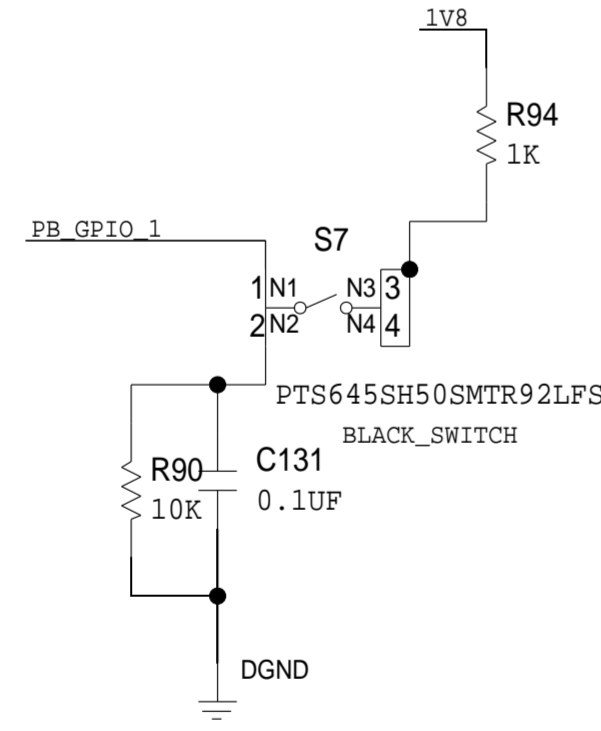
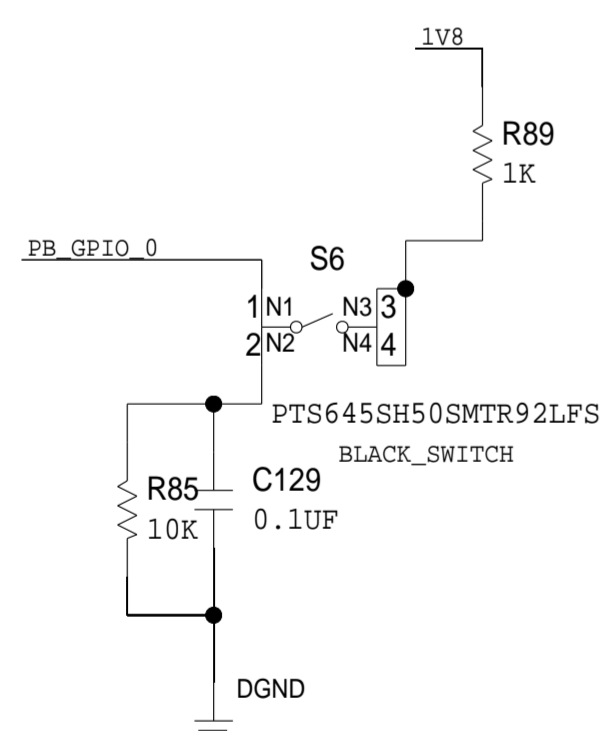
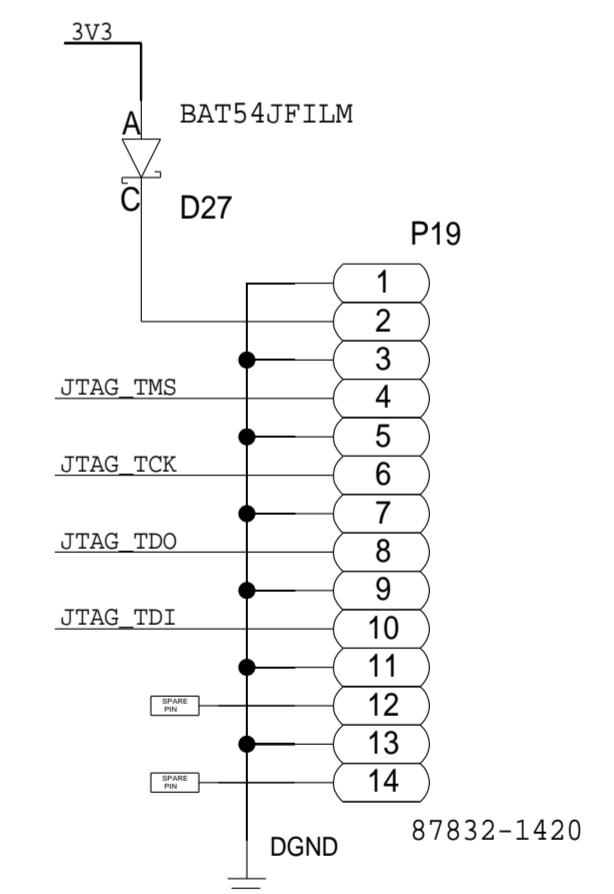
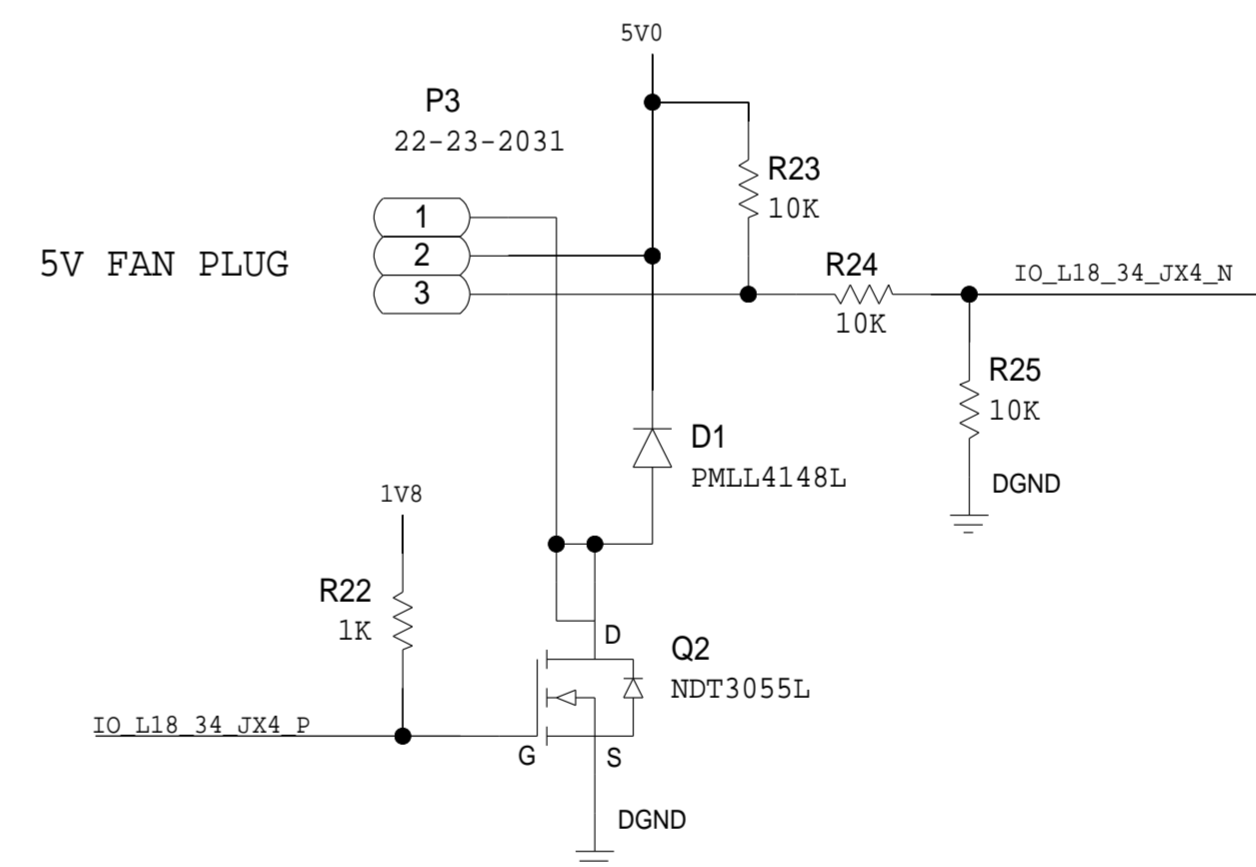
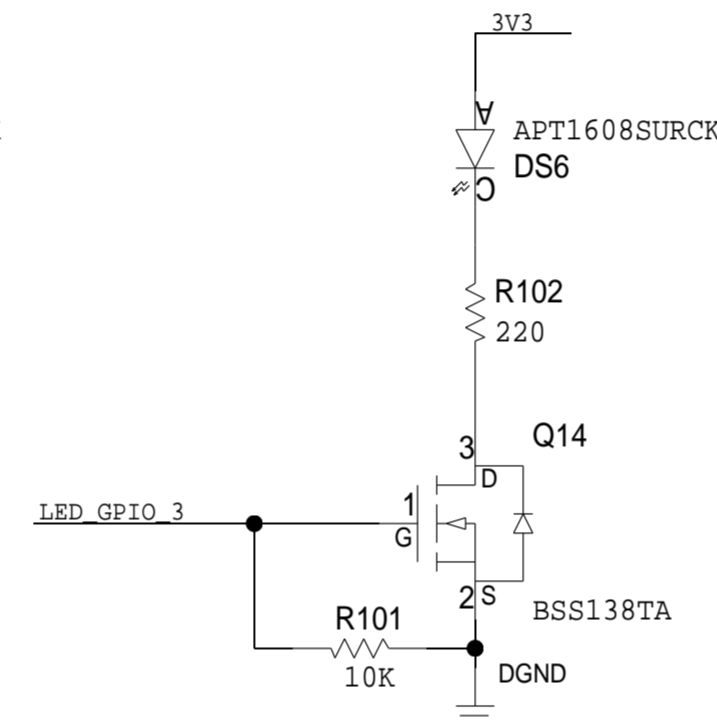
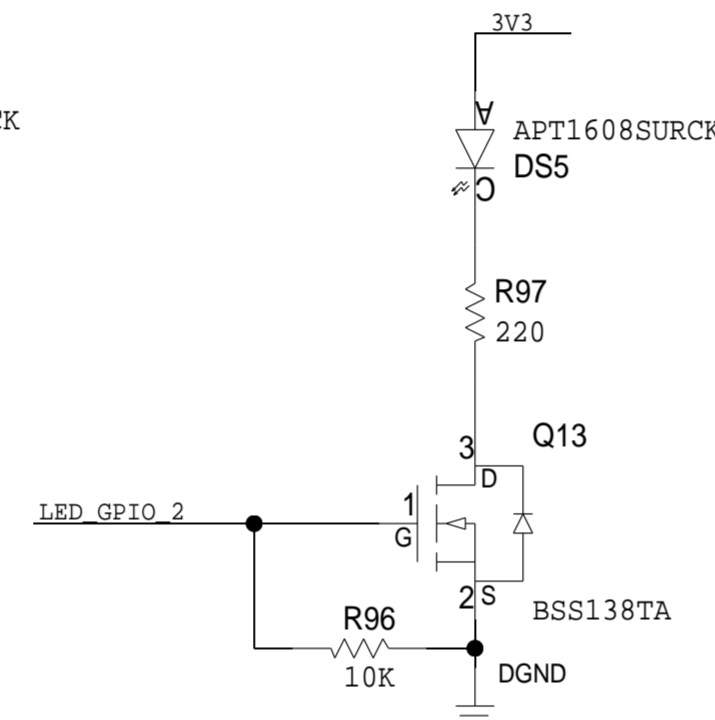
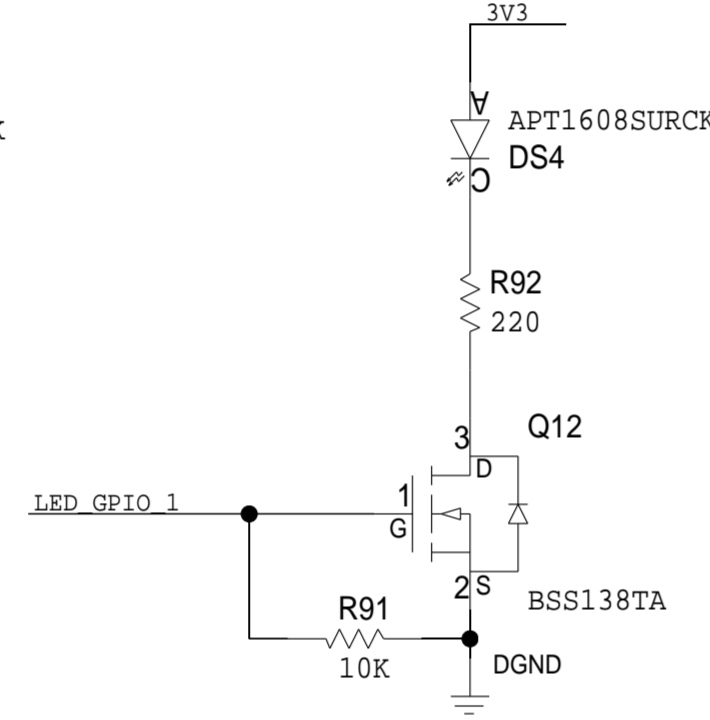
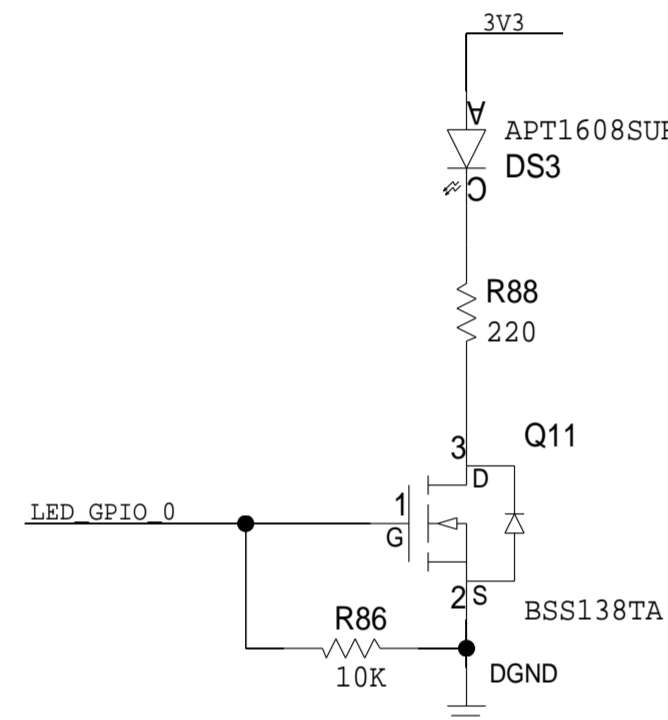
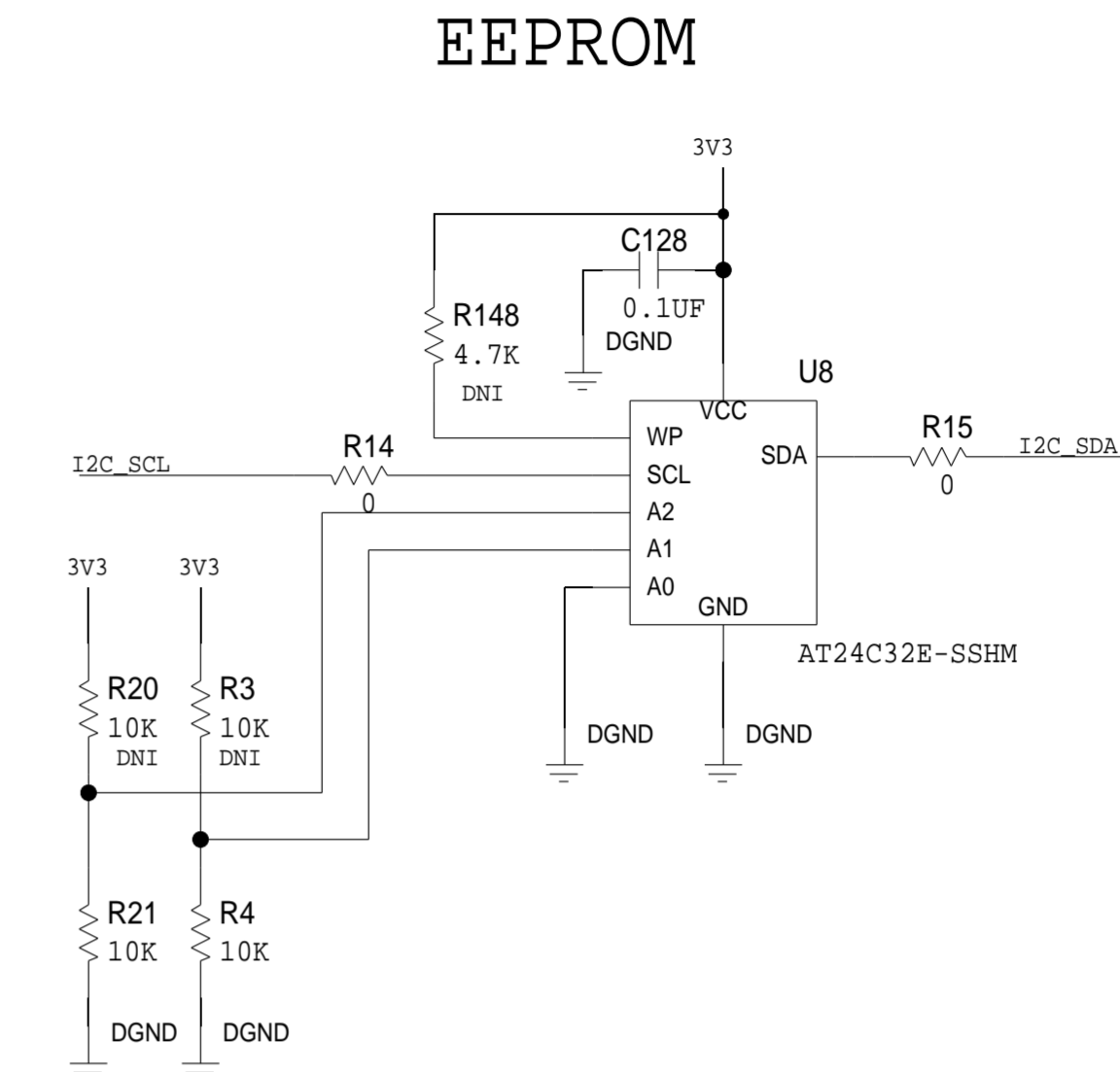
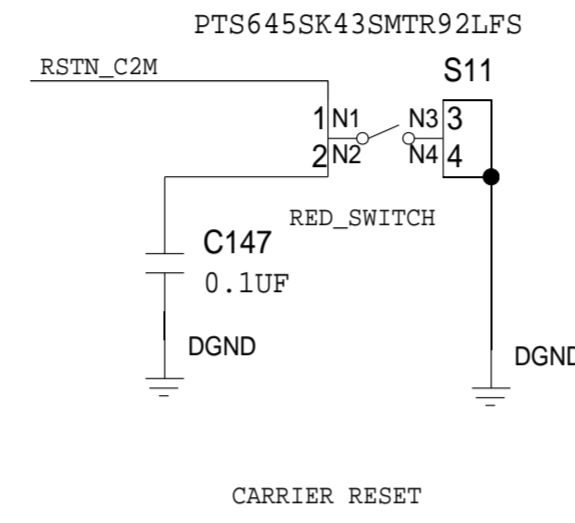
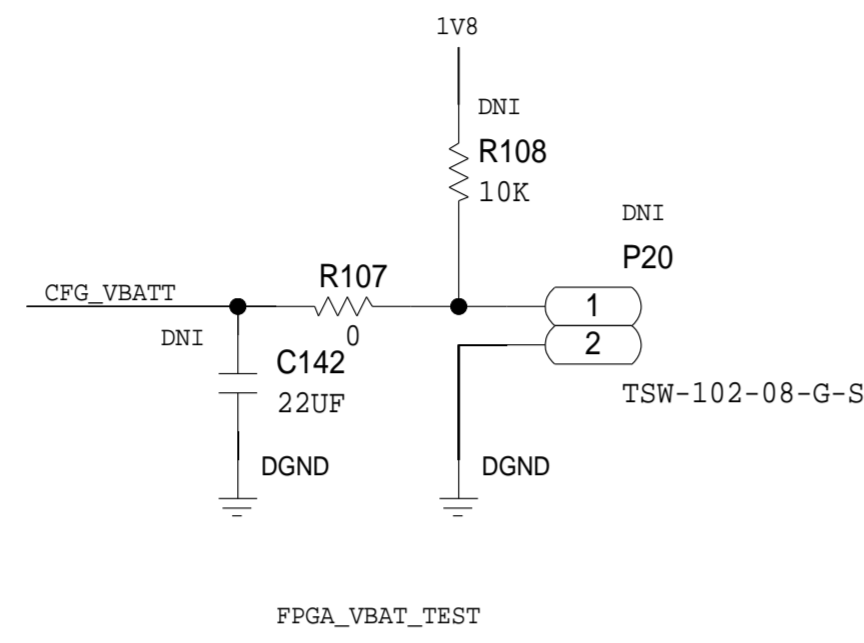
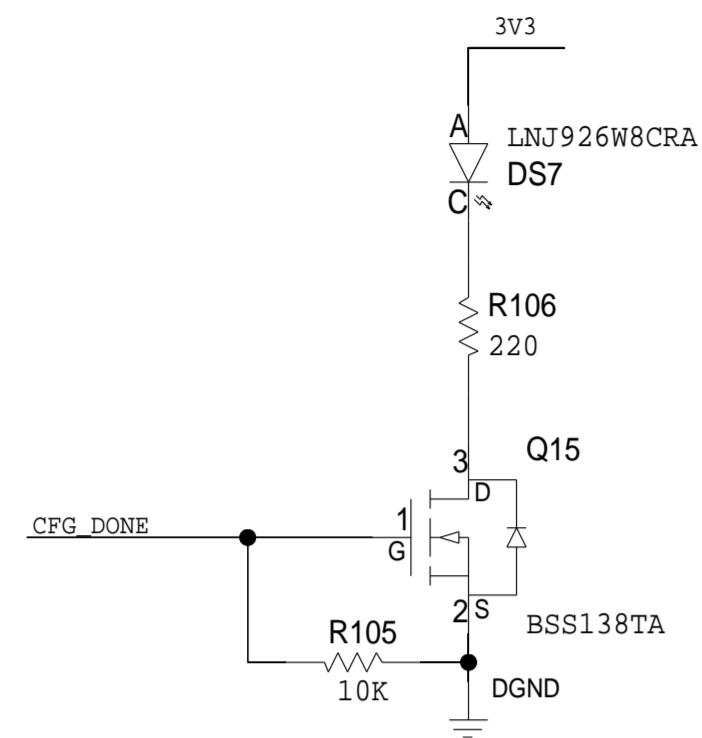
REVISIONS			
REV	DESCRIPTION	DATE	APPROVED



	SCHEMATIC		
	HW TYPE : Customer Evaluation Product(s) : ADP50 : ADP5052		
DESIGN VIEW <DESIGN_VIEW>	DRAWING NO. 02_039931	REV C2	
PTD ENGINEER C. ELKHOURY	SIZE D	SCALE 1:1	SHEET 4 OF 7

JTAG, PUSHBUTTONS, SLIDE SWITCHES, LEDS

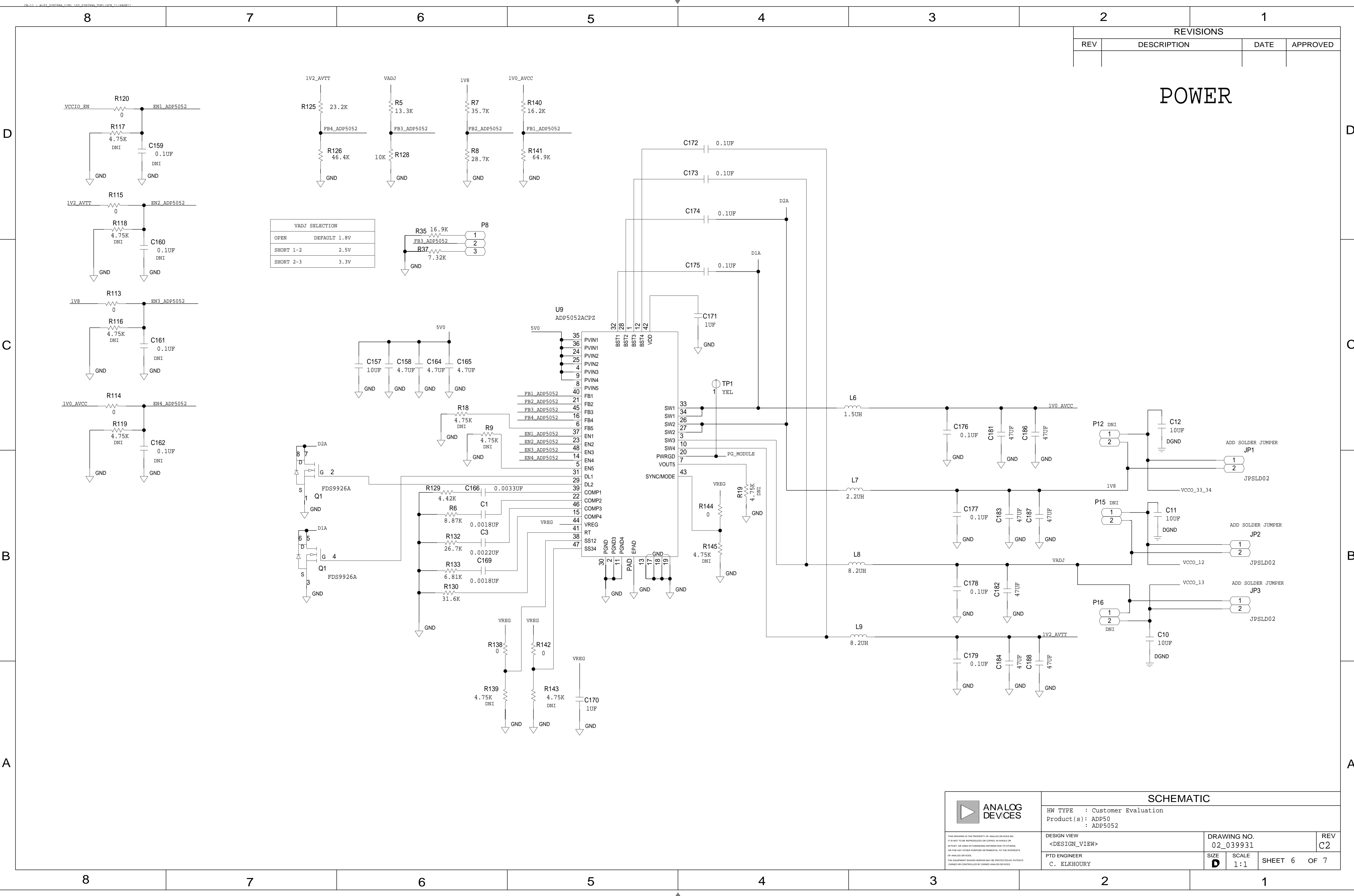
REVISIONS			
REV	DESCRIPTION	DATE	APPROVED



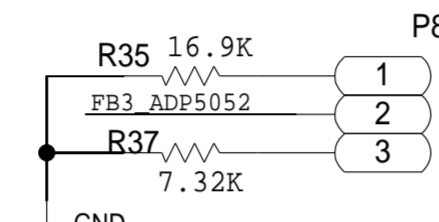
ANALOG DEVICES			
HW TYPE : Customer Evaluation Product(s) : ADP50 : ADP5052		SCHEMATIC	
DESIGN VIEW <DESIGN_VIEW>	DRAWING NO. 02_039931	REV C2	
PTD ENGINEER C. ELKHOURY	SIZE D	SCALE 1:1	SHEET 5 OF 7

REVISIONS			
REV	DESCRIPTION	DATE	APPROVED

POWER



VADJ SELECTION	
OPEN	DEFAULT 1.8V
SHORT 1-2	2.5V
SHORT 2-3	3.3V

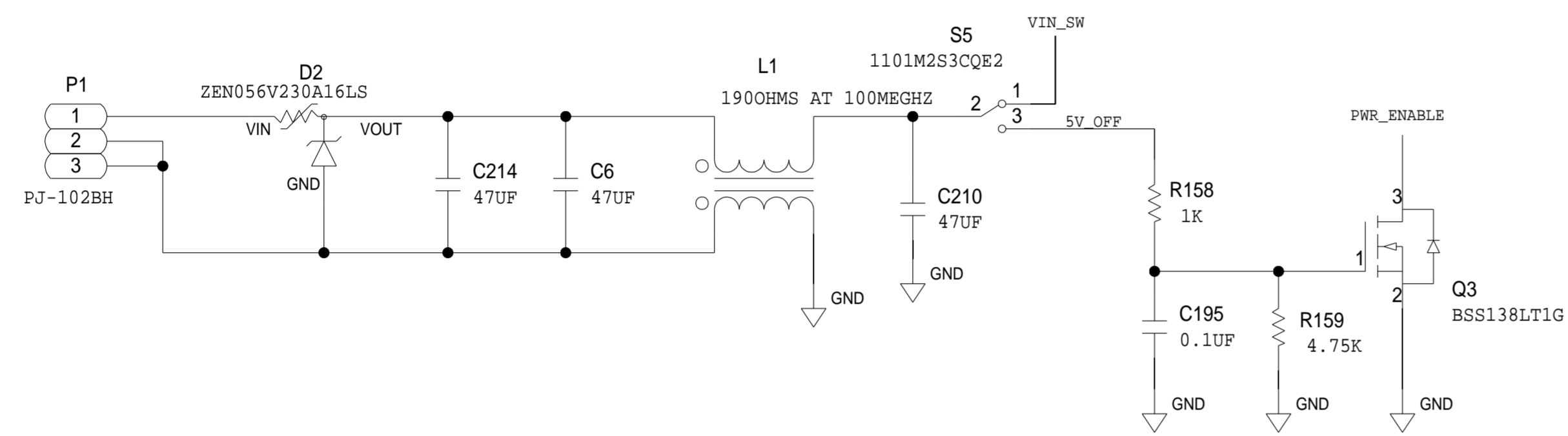


	SCHMATIC		
	HW TYPE : Customer Evaluation Product(s) : ADP5052		
	DESIGN VIEW <DESIGN_VIEW>	DRAWING NO. 02_039931	REV C2
	PTD ENGINEER C. ELKHOURY	SIZE D	SCALE 1:1

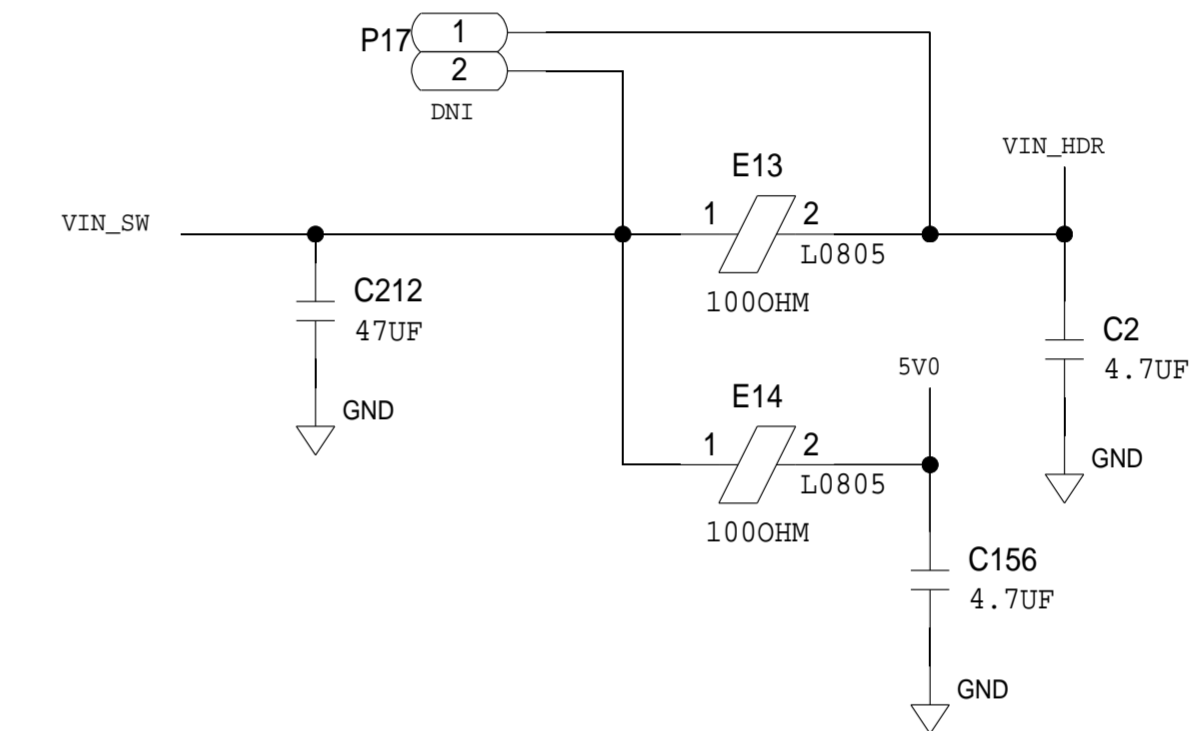
THIS DRAWING IS THE PROPERTY OF ANALOG DEVICES INC. IT IS NOT TO BE REPRODUCED OR COPIED, IN WHOLE OR IN PART, OR USED IN FURNISHING INFORMATION TO OTHERS, OR FOR ANY OTHER PURPOSE DETRIMENTAL TO THE INTERESTS OF ANALOG DEVICES. THE EQUIPMENT SHOWN HEREIN MAY BE PROTECTED BY PATENTS OWNED OR CONTROLLED BY ANALOG DEVICES.

POWER

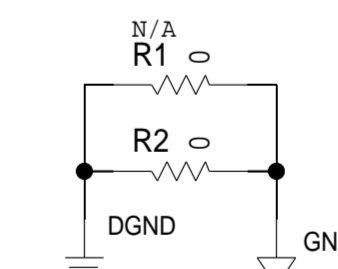
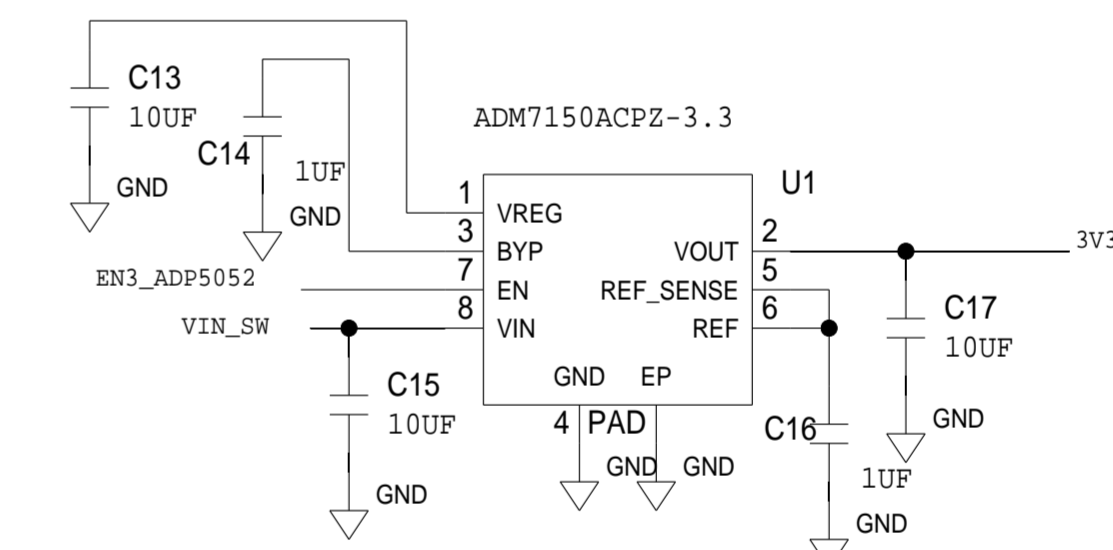
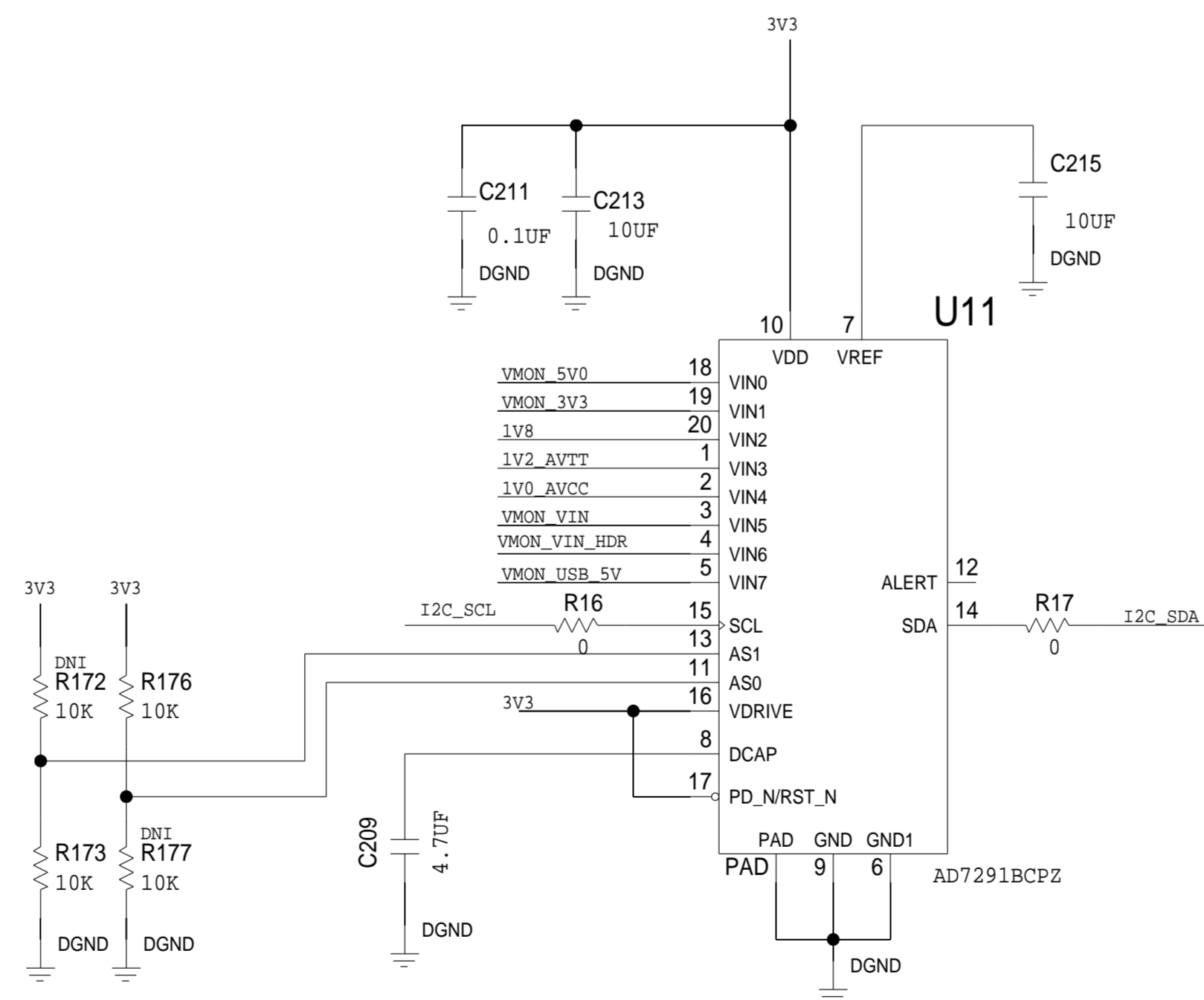
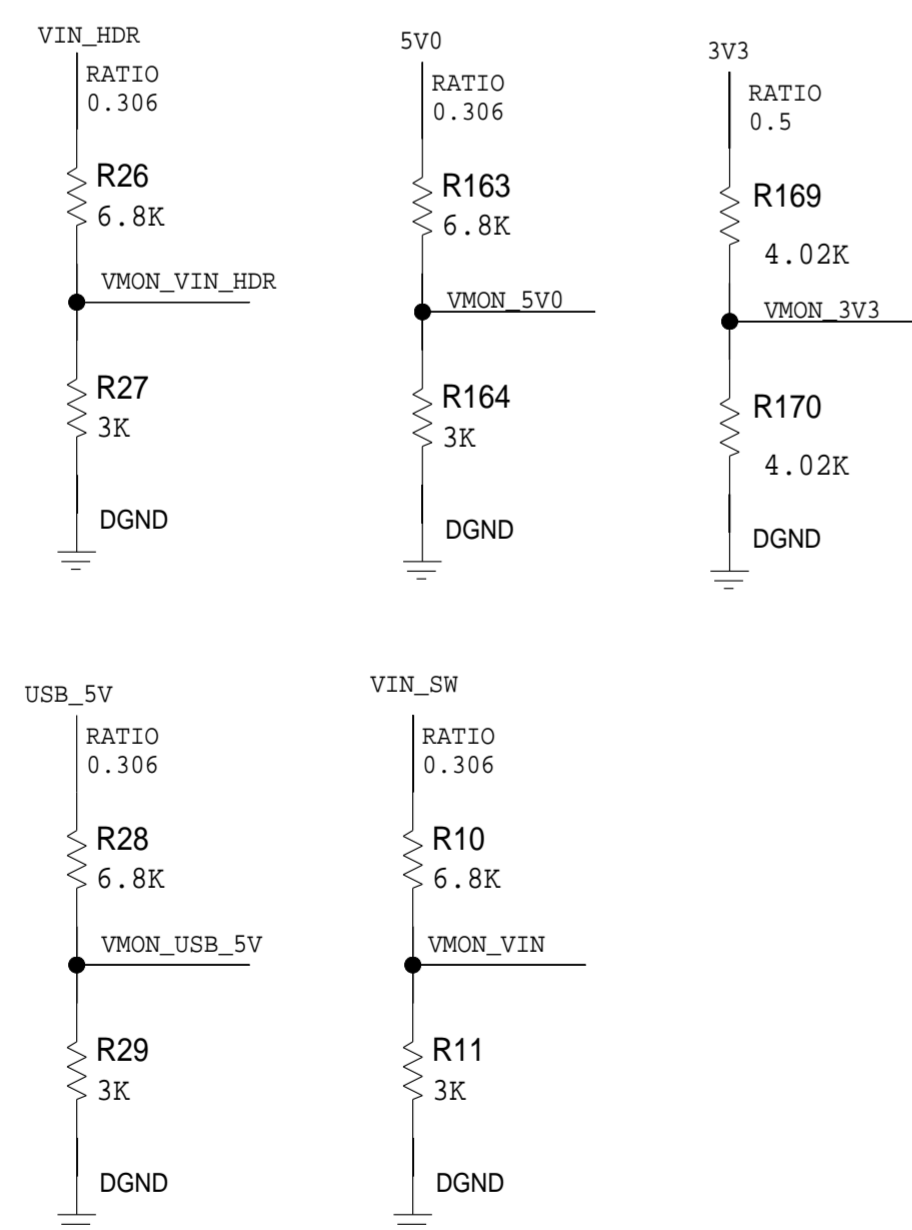
REVISIONS			
REV	DESCRIPTION	DATE	APPROVED



5V0 POWER SUPPLY



VOLTAGE MONITORING



	SCHEMATIC		
	HW TYPE : Customer Evaluation Product(s) : ADP50 : ADP5052		
DESIGN VIEW <DESIGN_VIEW>	DRAWING NO. 02_039931	REV C2	
PTD ENGINEER C. ELKHOURY	SIZE D	SCALE 1:1	SHEET 7 OF 7