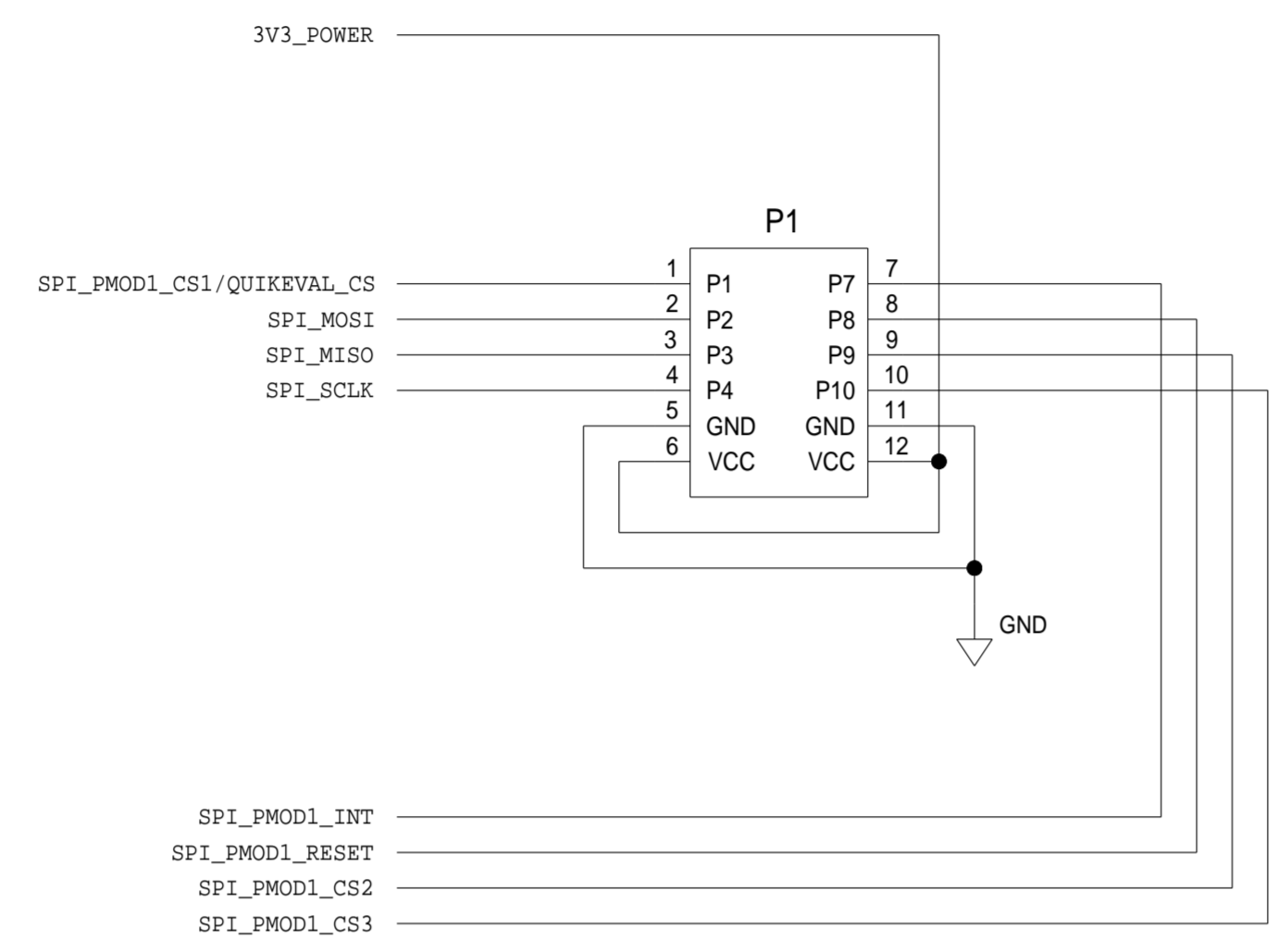
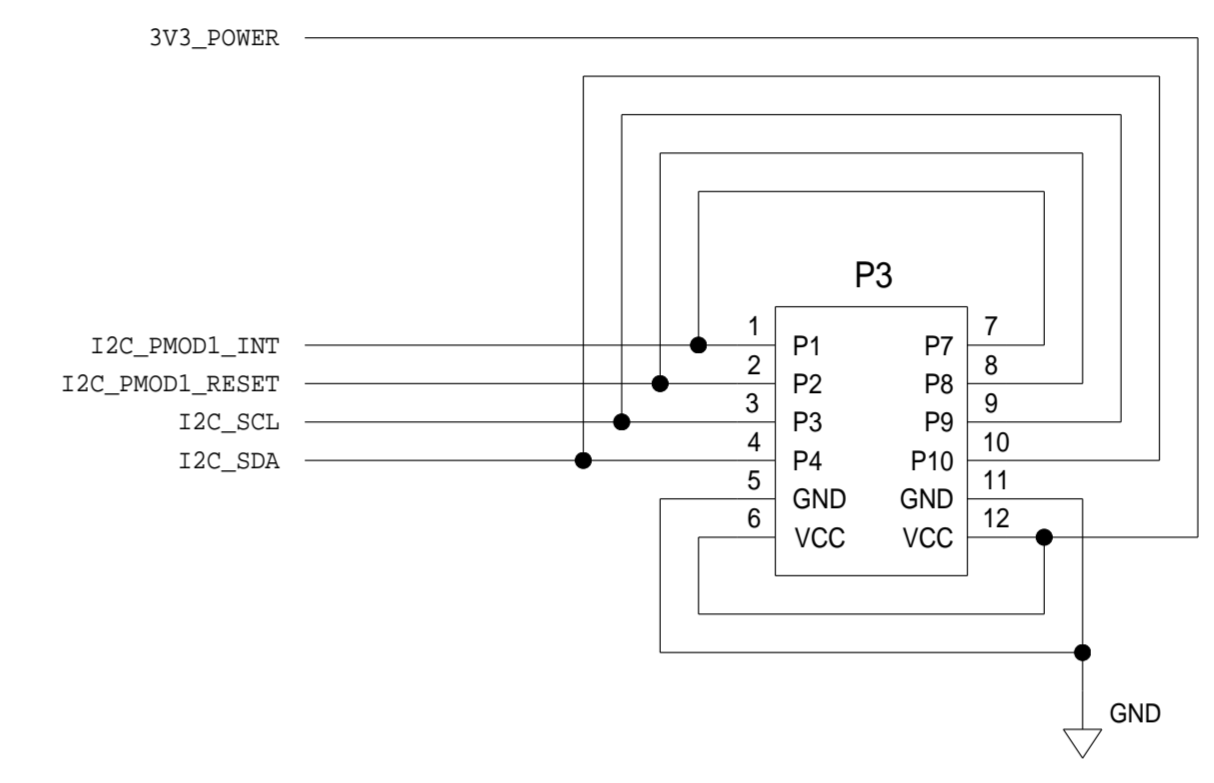


REVISIONS			
REV	DESCRIPTION	DATE	APPROVED

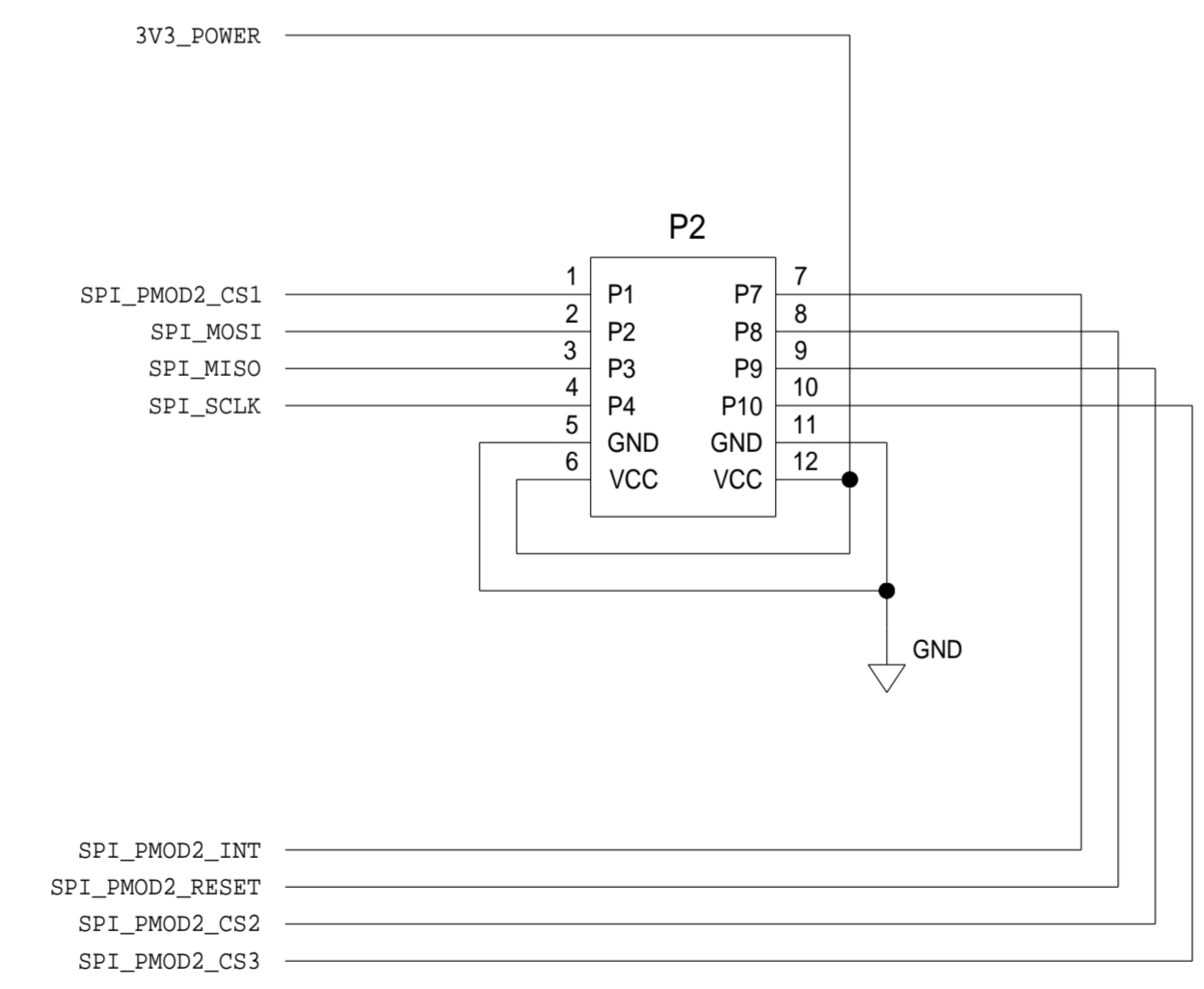
SPI PMOD CONNECTOR #1



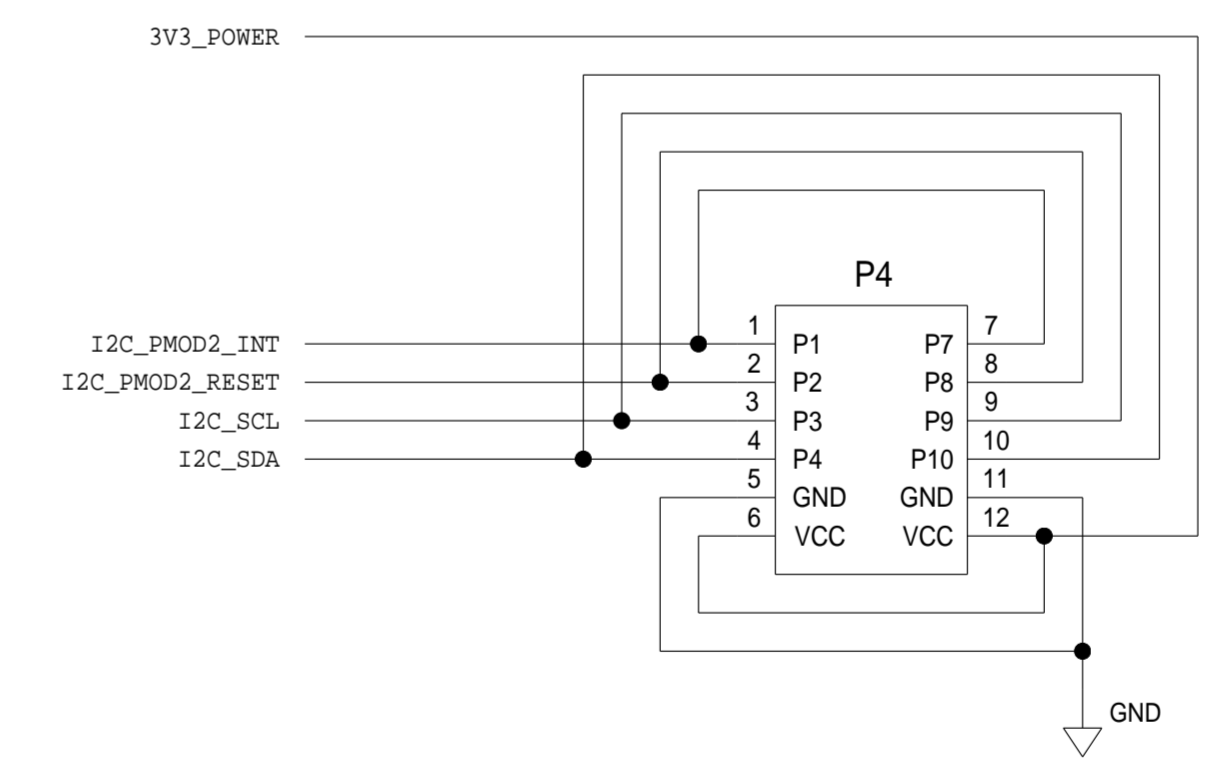
I2C PMOD CONNECTOR #1



SPI PMOD CONNECTOR #2



I2C PMOD CONNECTOR #2

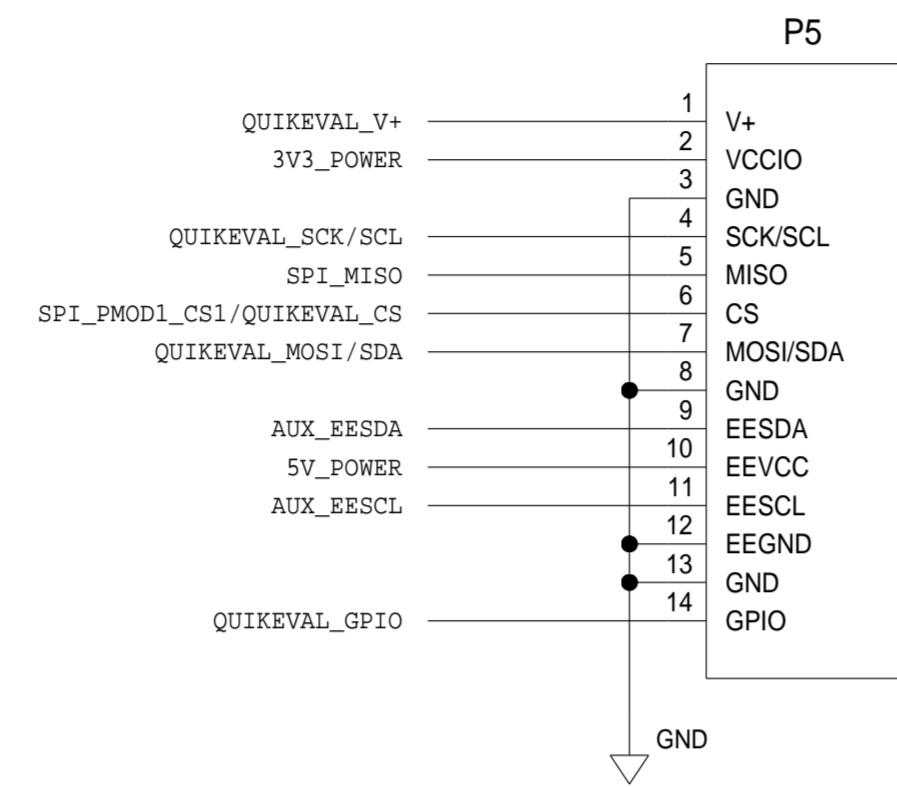


PMOD CONNECTIONS

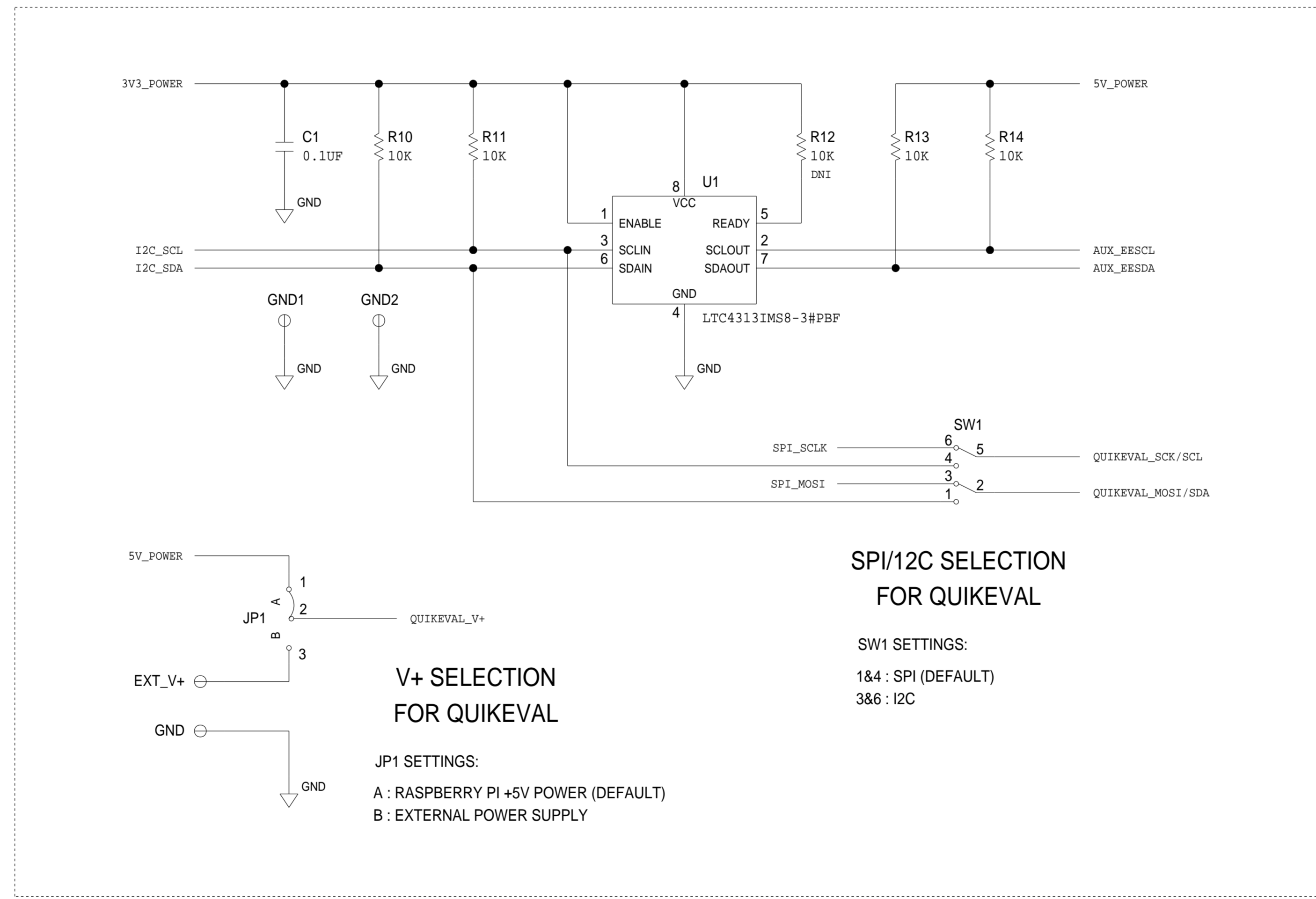
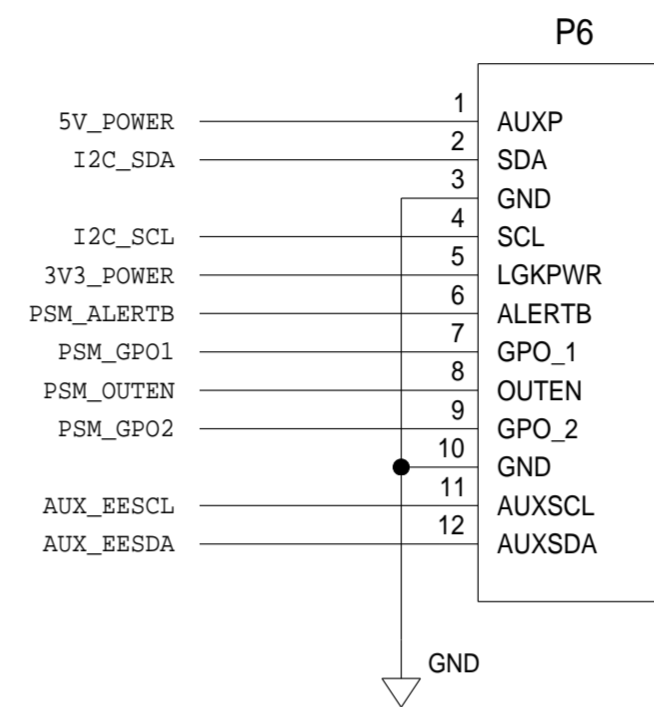
	SCHEMATIC		
	HW TYPE : Customer Evaluation Z Product(s): LTC4313-3		
	DESIGN VIEW <DESIGN_VIEW>	DRAWING NO. 02_065962	REV D
	PTD ENGINEER A.UY	SIZE D	SCALE 1:1
		SHEET 2 OF 10	

REVISIONS			
REV	DESCRIPTION	DATE	APPROVED

QUIKEVAL CONNECTOR



PSM CONNECTOR

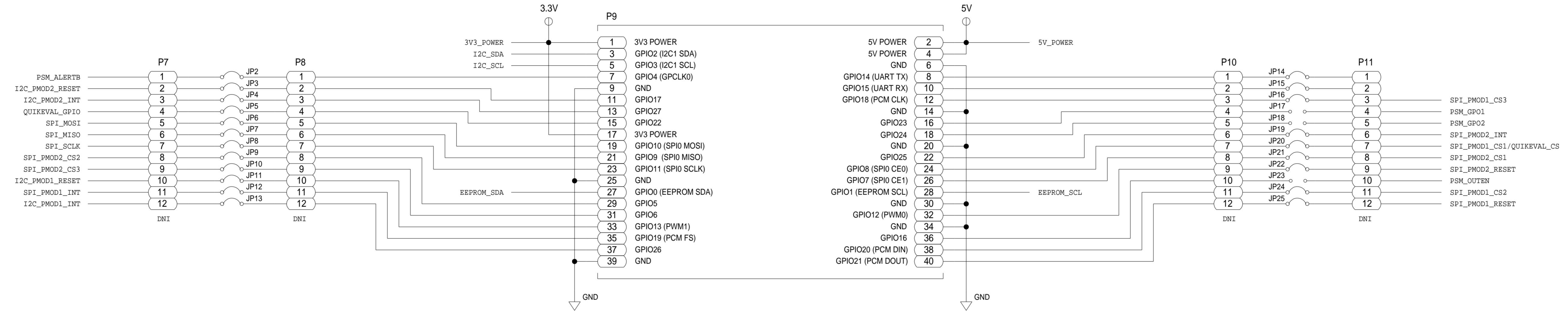


QUIKEVAL AND PSM CONNECTIONS

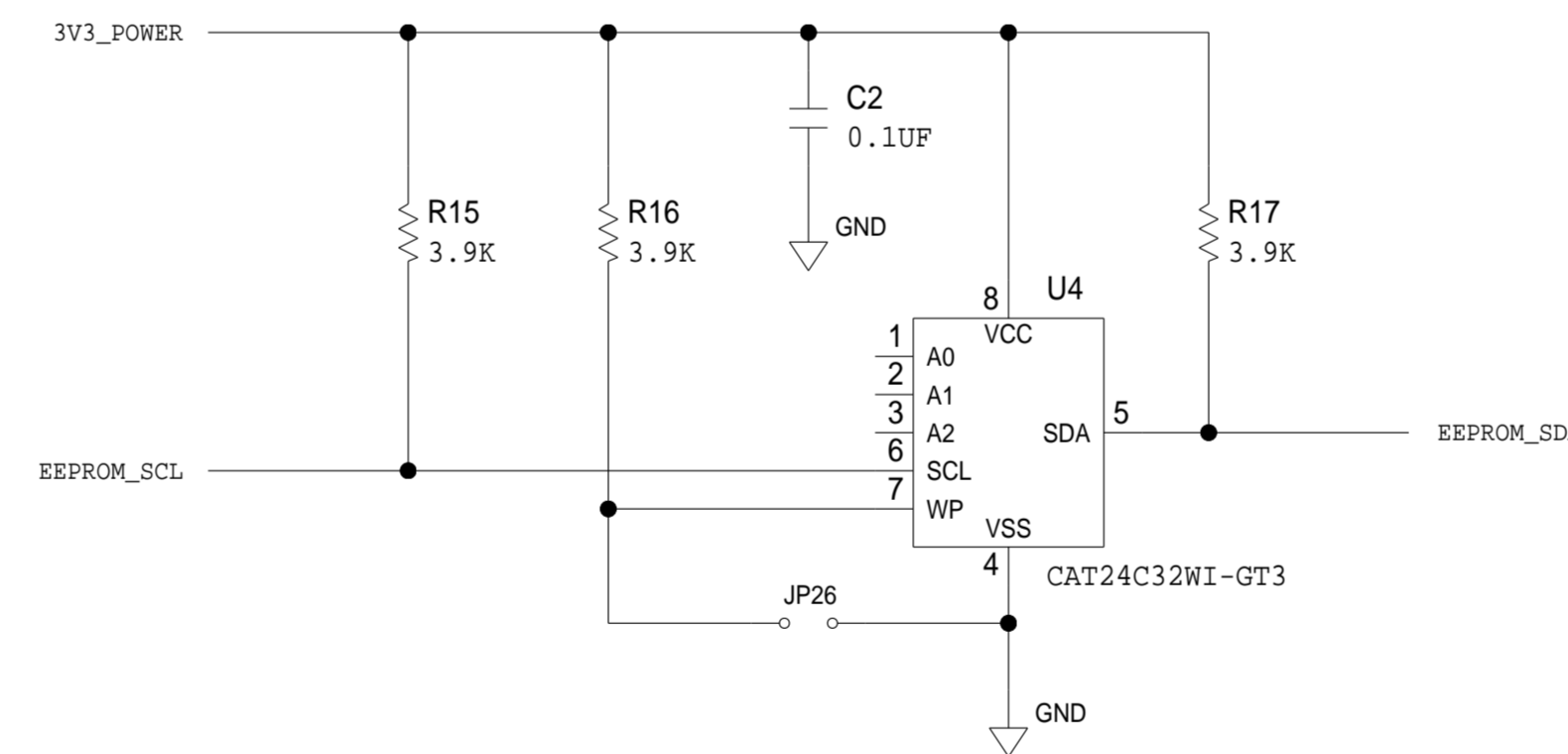
	SCHEMATIC		
	HW TYPE : Customer Evaluation Z Product(s): LTC4313-3		
DESIGN VIEW <DESIGN_VIEW>	DRAWING NO. 02_065962	REV D	
PTD ENGINEER A.UY	SIZE D	SCALE 1:1	SHEET 3 OF 10

REVISIONS			
REV	DESCRIPTION	DATE	APPROVED

RASPBERRY PI CONNECTOR



ID EEPROM



RASPBERRY PI CONNECTION

	SCHEMATIC		
	HW TYPE : Customer Evaluation Z		
	Product(s): LTC4313-3		
	DESIGN VIEW <DESIGN_VIEW>	DRAWING NO. 02_065962	REV D
PTD ENGINEER A.UY	SIZE D	SCALE 1:1	SHEET 4 OF 10