

THIS DRAWING IS THE PROPERTY OF ANALOG DEVICES INC. IT IS NOT TO BE REPRODUCED OR COPIED, IN WHOLE OR IN PART, OR USED IN FURNISHING INFORMATION TO OTHERS, OR FOR ANY OTHER PURPOSE DETRIMENTAL TO THE INTERESTS OF ANALOG DEVICES. THE EQUIPMENT SHOWN HEREON MAY BE PROTECTED BY PATENTS OWNED OR CONTROLLED BY ANALOG DEVICES.

RELAY CONTROL CHART

CONTROL	CODE	DEVICE	FUNCTION	CONNECTOR

JUMPER TABLE

JP#	ON	OFF
1		
2		
3		
4		
5		

REVISIONS

REV	DESCRIPTION	DATE	APPROVED
A	INITIAL RELEASE	20JUL23	E. REYTA

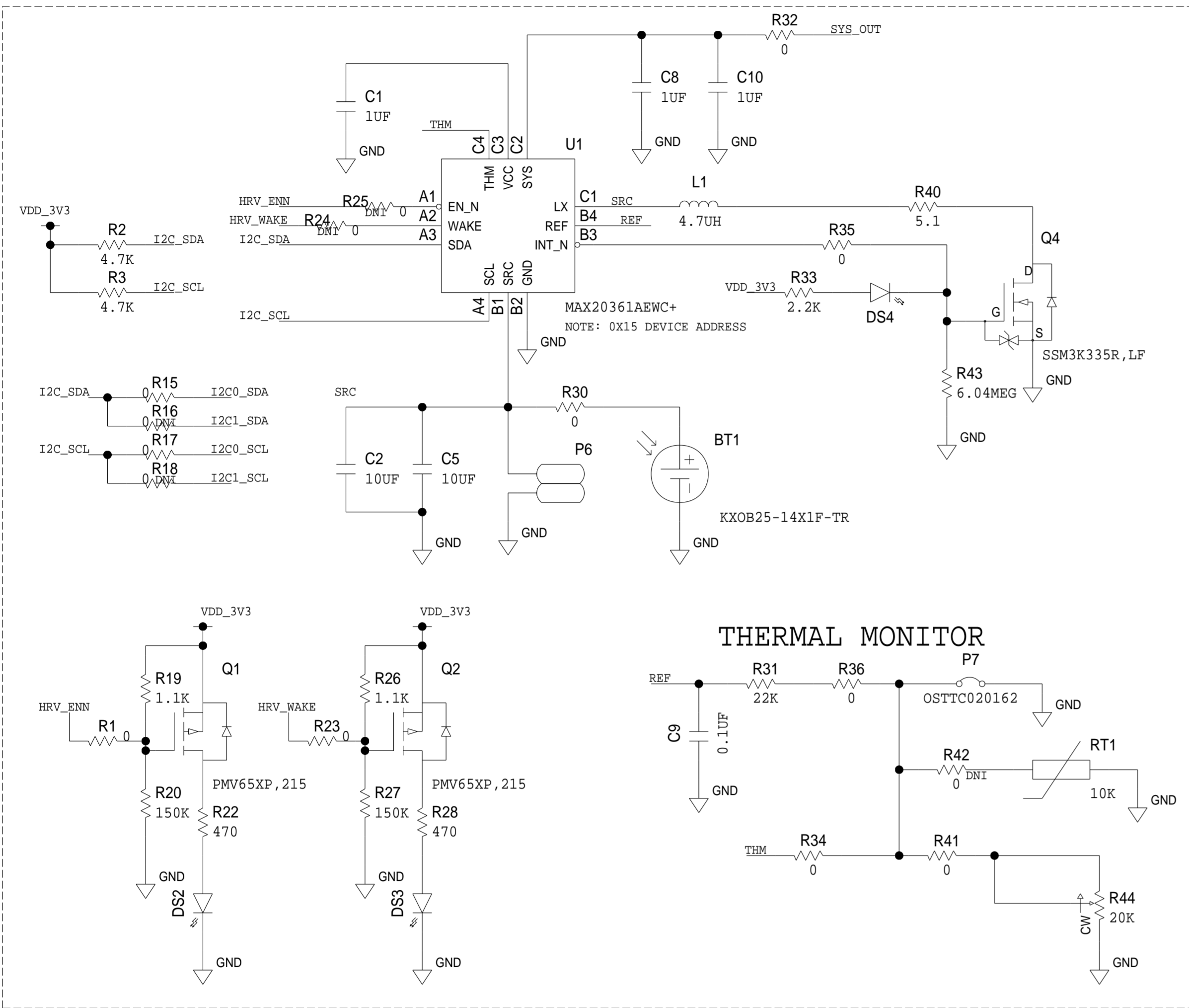
# LIVESTOCK SMART TAG SENSOR NODE

P.O SPEC.	BK/BD SPEC.	SOCKET OEM	OEM PART#	HANDLER

TEMPLATE ENGINEER BILLY PHILLIPS	DATE 07APR21	<b>SCHEMATIC</b>	
HARDWARE SERVICES BOB MACDONALD	07APR21		
HARDWARE SYSTEMS DAVE WILLIAMS	07APR21	HW TYPE : Customer Evaluation	
TEST ENGINEER N/A	N/A	Product(s) : MAX20361 : MAX20335, MAX30210, ADP198	
COMPONENT ENGINEER ADGT LIBRARY	20JUL23	PACKAGE : LeadCount-lead BodySize PackageType-family : Pitch-pitch StyleVendor Style	
TEST PROCESS N/A	N/A	<User Define>	
HARDWARE RELEASE C. PASIA	20JUL23	<User Define>	
DESIGNER C. PASIA	20JUL23	MASTER PROJECT TEMPLATE TBD	TESTER TEMPLATE 064489_c
PTD ENGINEER E. REYTA	20JUL23	DRAWING NO. 02_079920	
CHECKER N/A	N/A	REV. A	
UNLESS OTHERWISE SPECIFIED DIMENSIONS ARE IN INCHES			
TOLERANCES			
DECIMALS X.XX +0.010 X.XXX +0.005	FRACTIONS +1/32	ANGLES +2	SIZE <b>D</b>
SCALE 1:1	CODE ID NO. CodeID	SHEET 1	OF 2

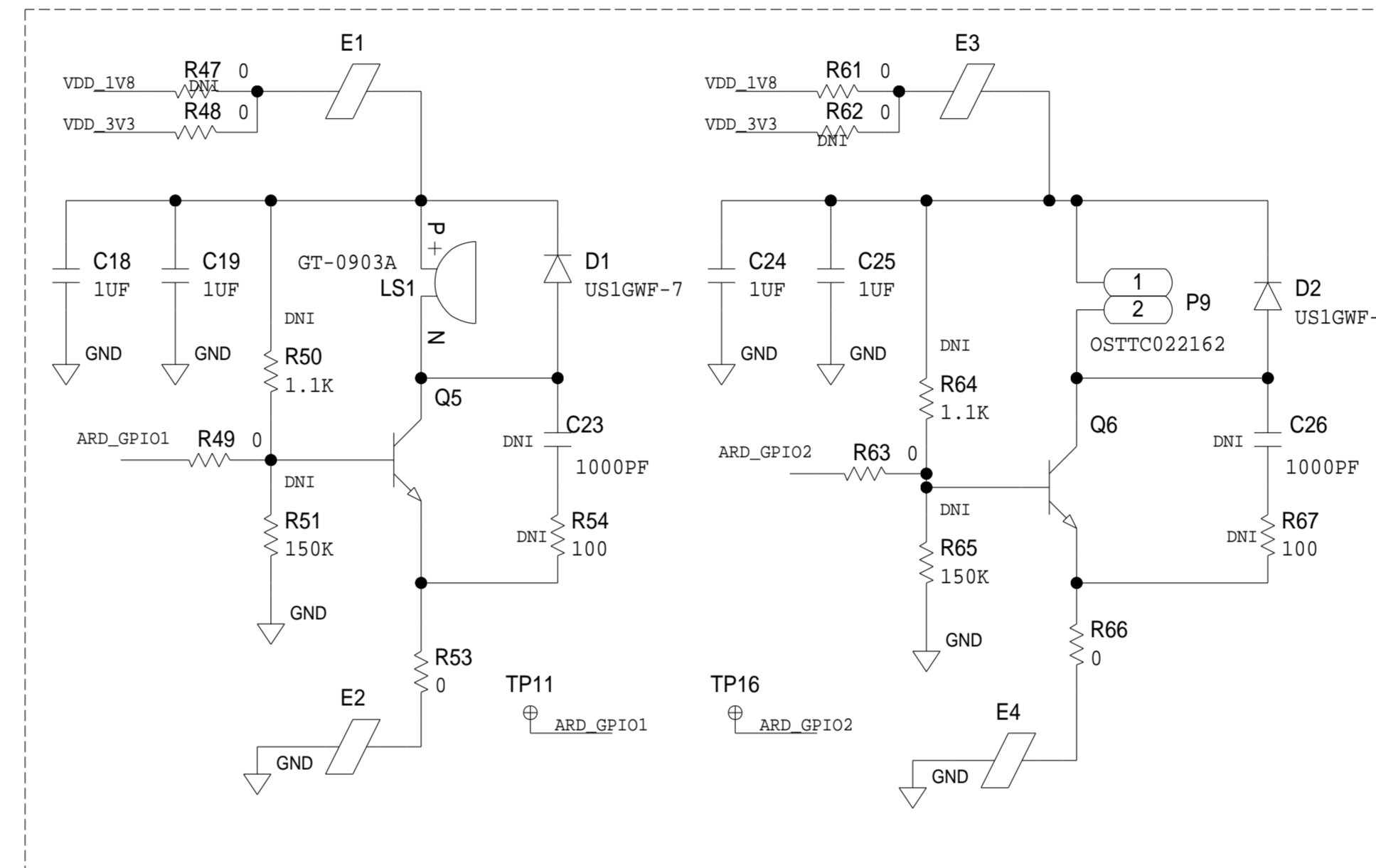
REVISIONS			
REV	DESCRIPTION	DATE	APPROVED

# POWER HARVESTER

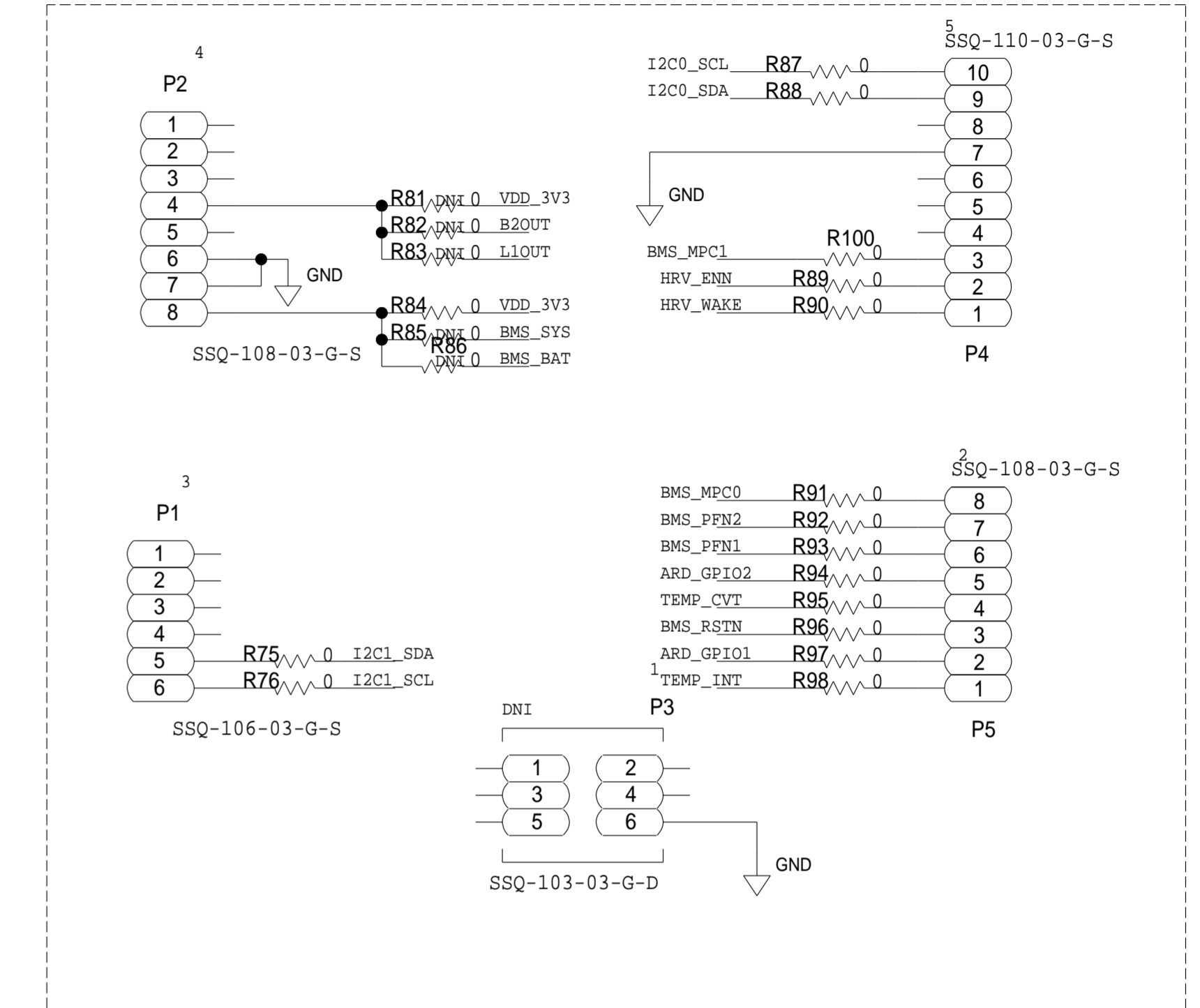


# LOAD SWITCH

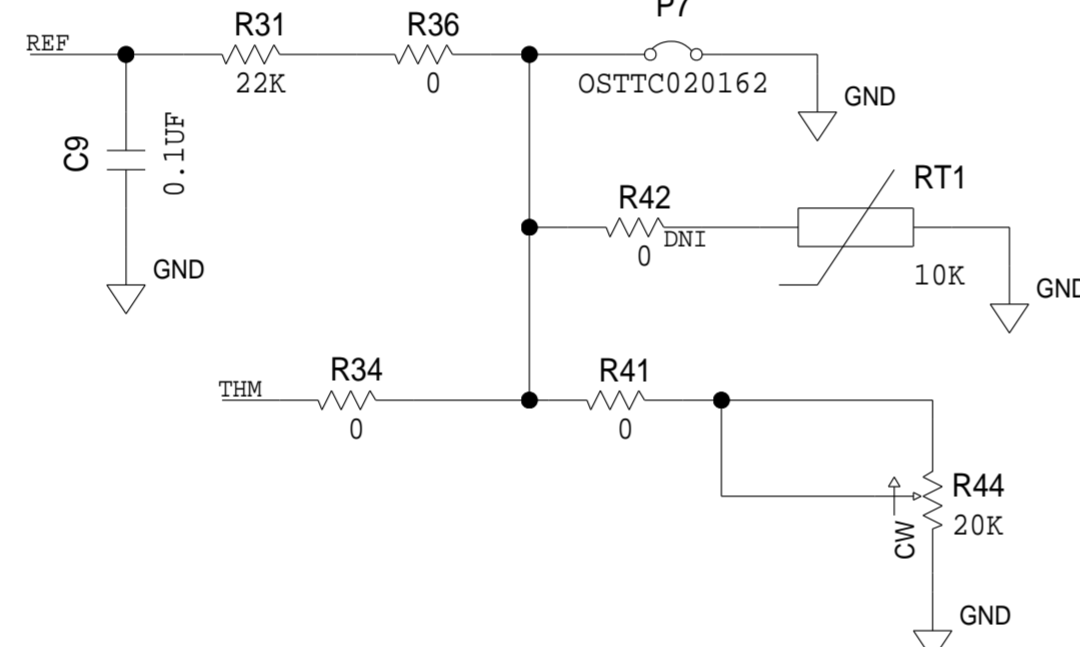
## BEEPER AND VIBRATION MOTOR



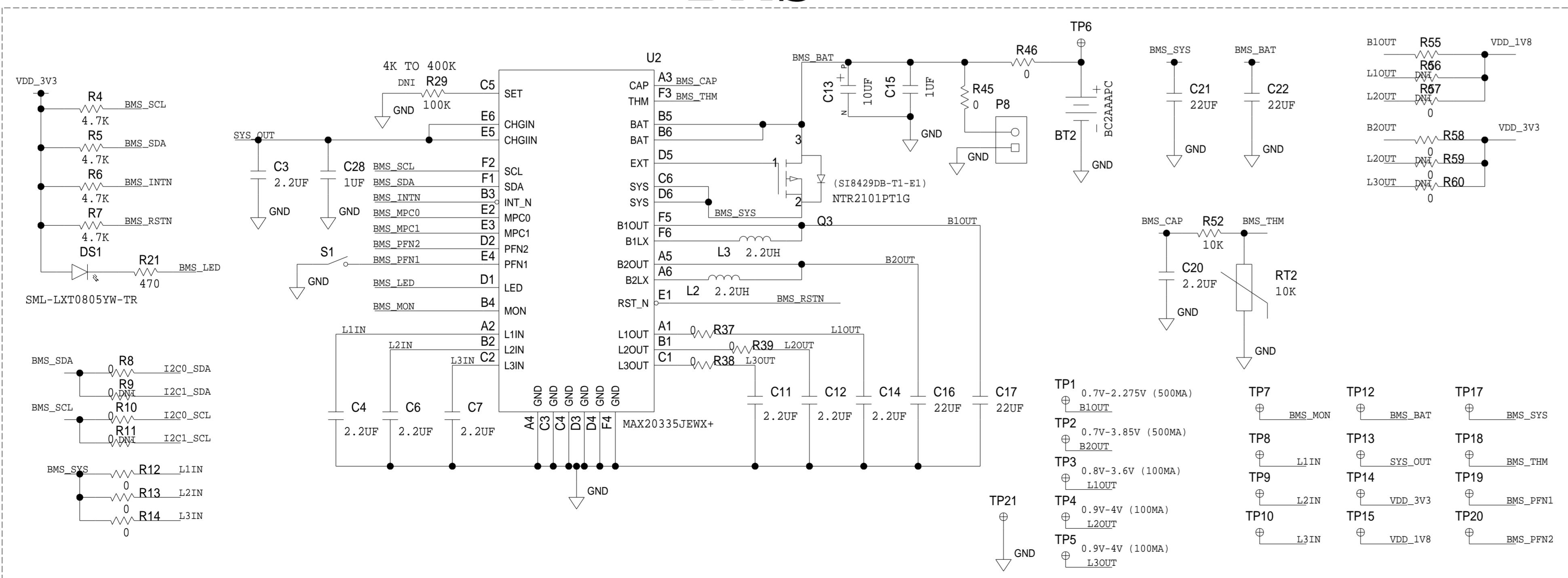
# ARDUINO CONNECTORS



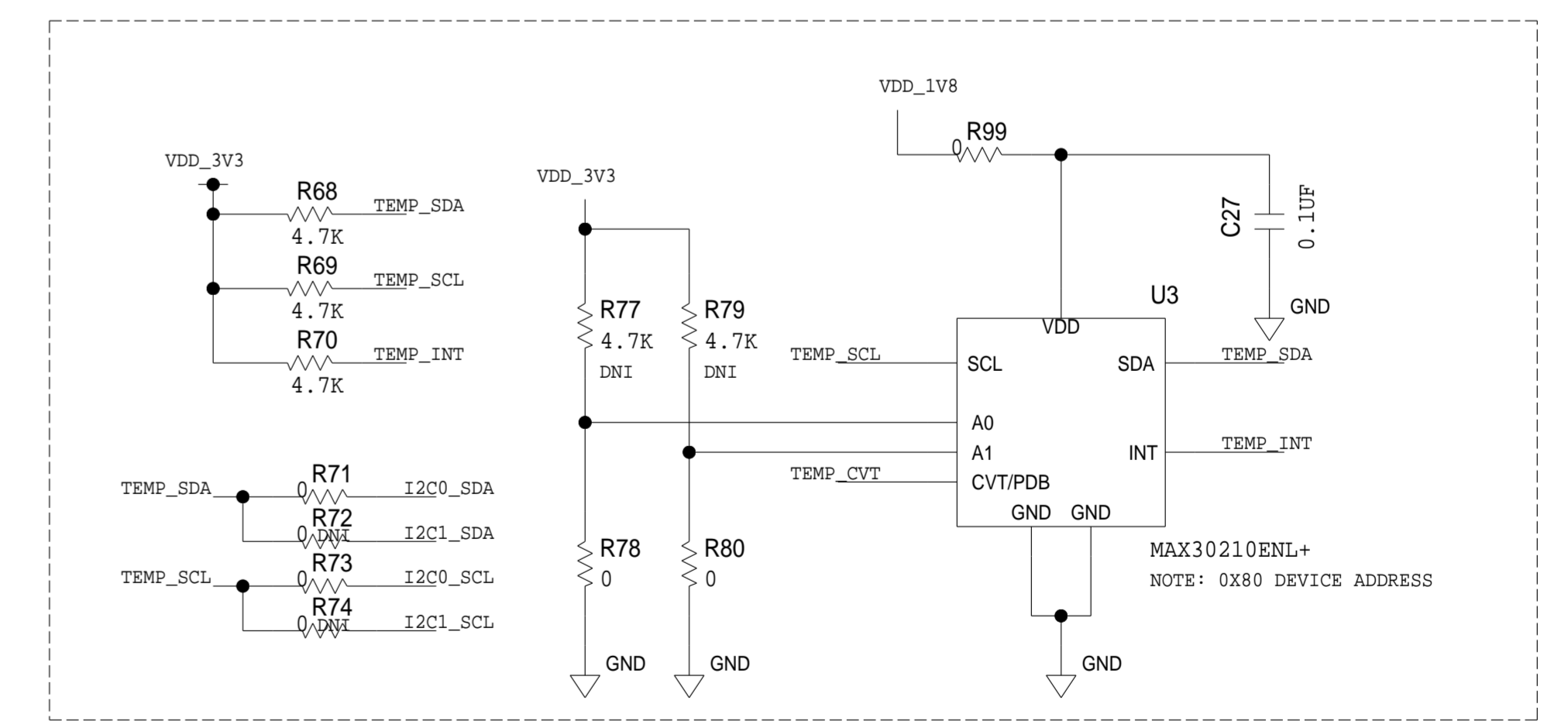
# THERMAL MONITOR



# BMS



# TEMP SENSOR



ANALOG DEVICES		SCHEMATIC	
HW TYPE : Customer Evaluation		Product(s) : MAX20361	
DESIGN VIEW <DESIGN_VIEW>		DRAWING NO. 02_079920	
PTD ENGINEER E. REYTA		SIZE D	SCALE 1:1
		SHEET 2 OF 2	