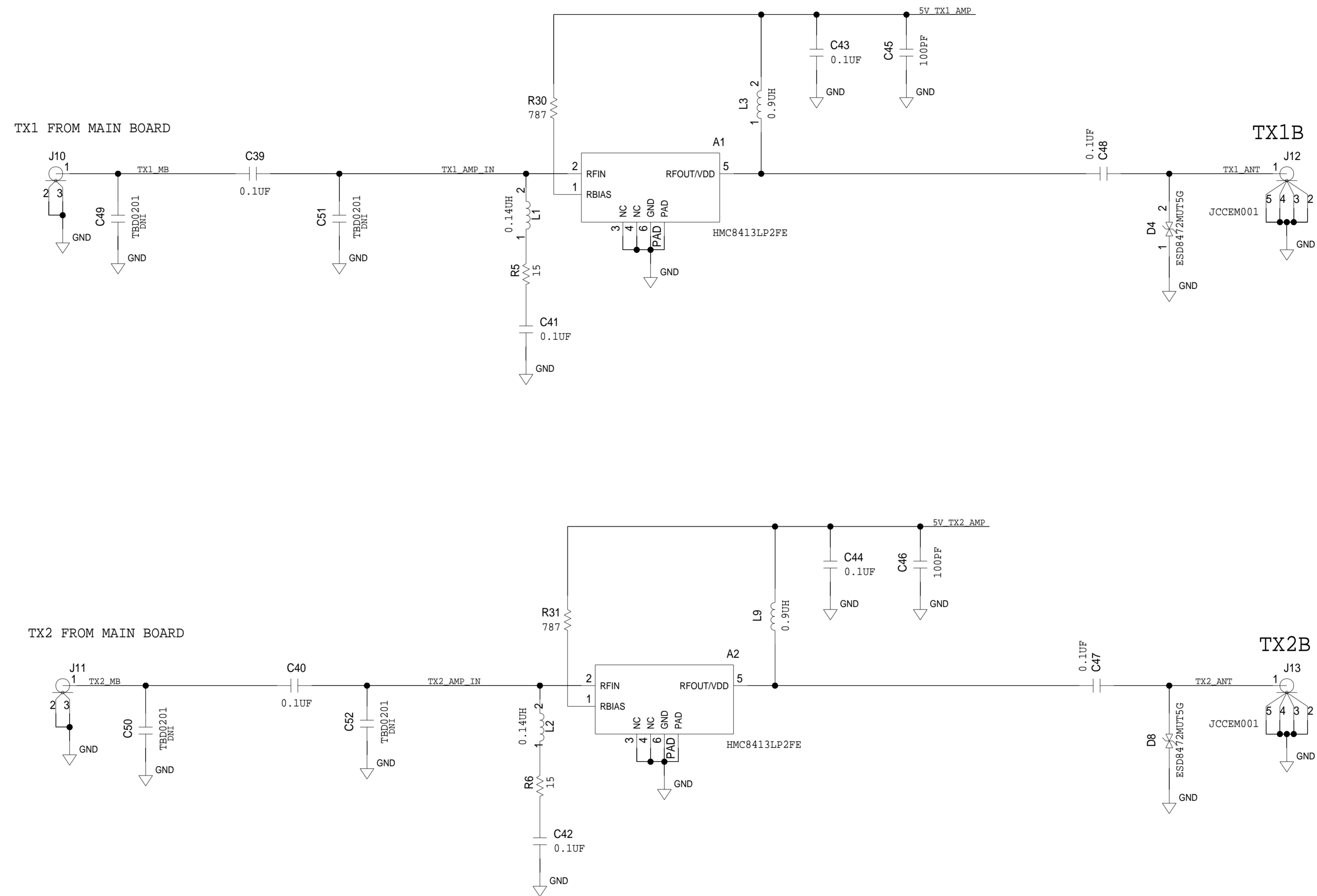


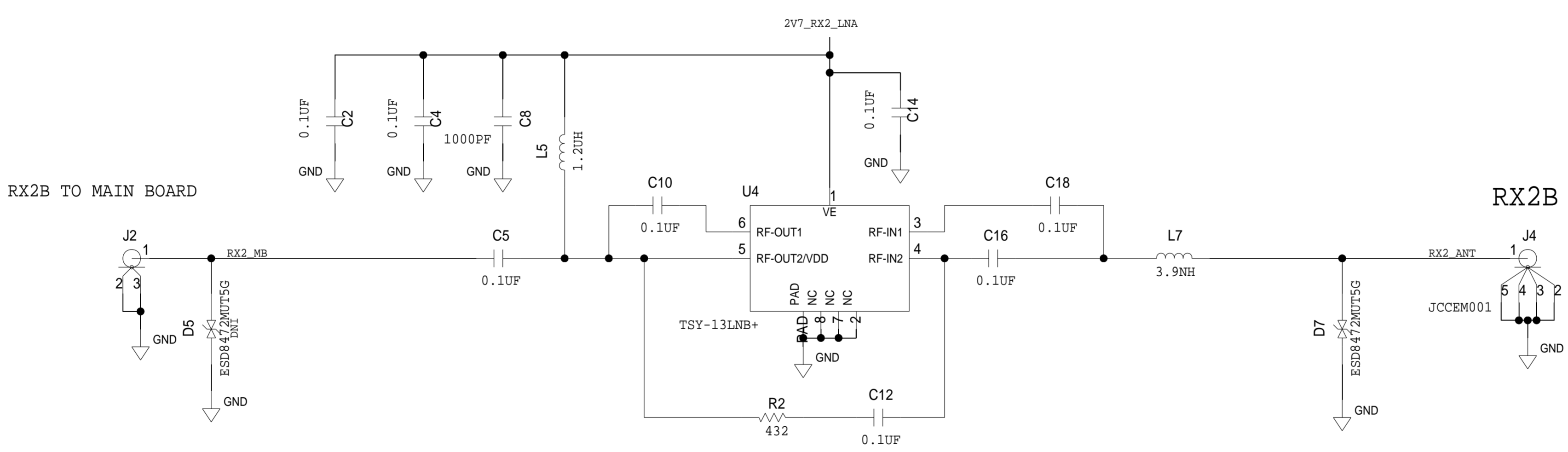
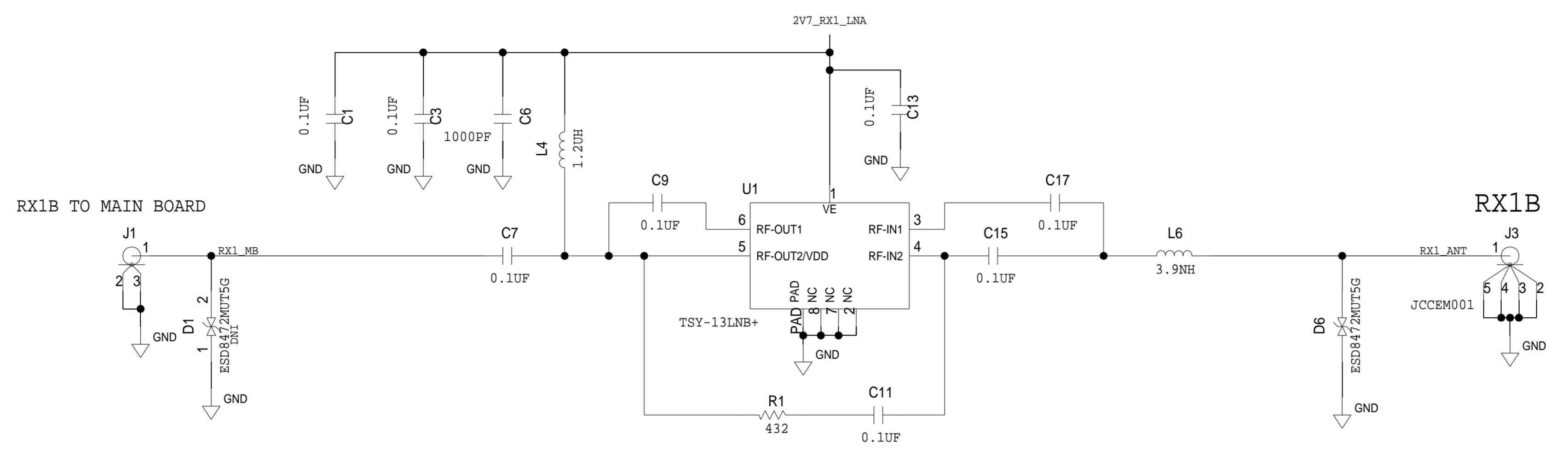


REVISIONS			
REV	DESCRIPTION	DATE	APPROVED



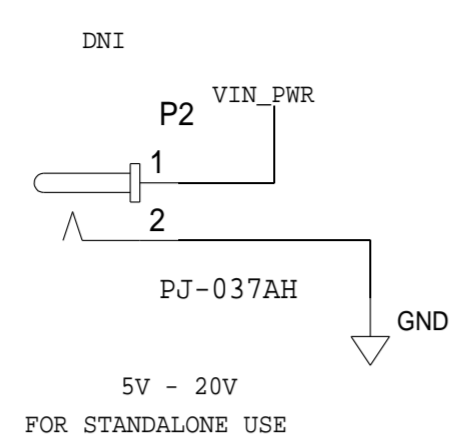
	<b>SCHEMATIC</b>		
	HW TYPE : Customer Evaluation Z Product(s): ADALM PLUTO-NG : RF FE ADD ON BOARD		
	DESIGN VIEW <DESIGN_VIEW>	DRAWING NO. 02_071103	REV B
	PTD ENGINEER F. HURGOI	SIZE D	SCALE 1:1
		SHEET 2 OF 4	

REVISIONS			
REV	DESCRIPTION	DATE	APPROVED

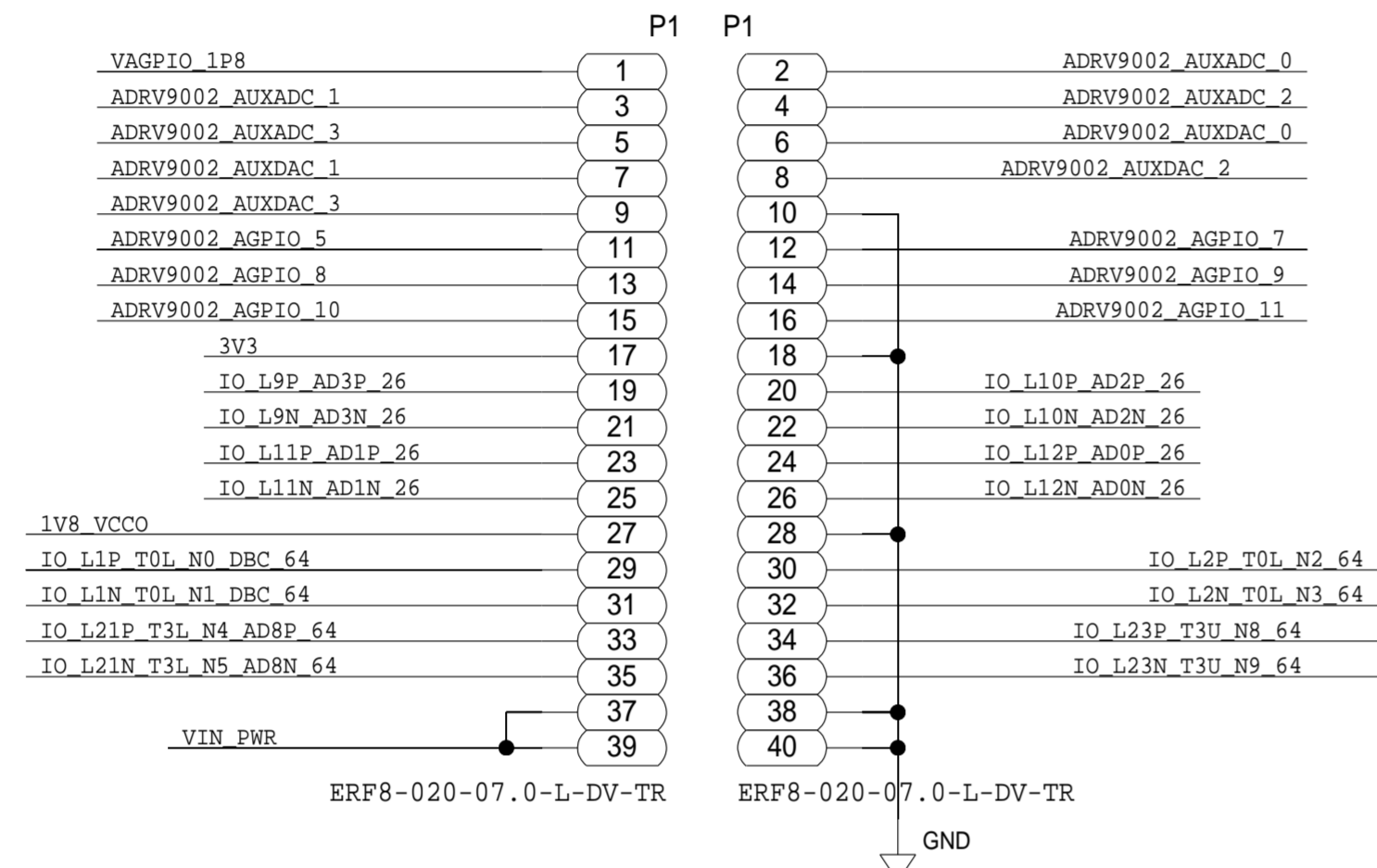


	<b>SCHEMATIC</b>		
	HW TYPE : Customer Evaluation Z Product(s): ADALM PLUTO-NG : RF FE ADD ON BOARD		
	DESIGN VIEW <DESIGN_VIEW>	DRAWING NO. 02_071103	REV B
	PTD ENGINEER F. HURGOI	SIZE D	SCALE 1:1
		SHEET 3 OF 4	

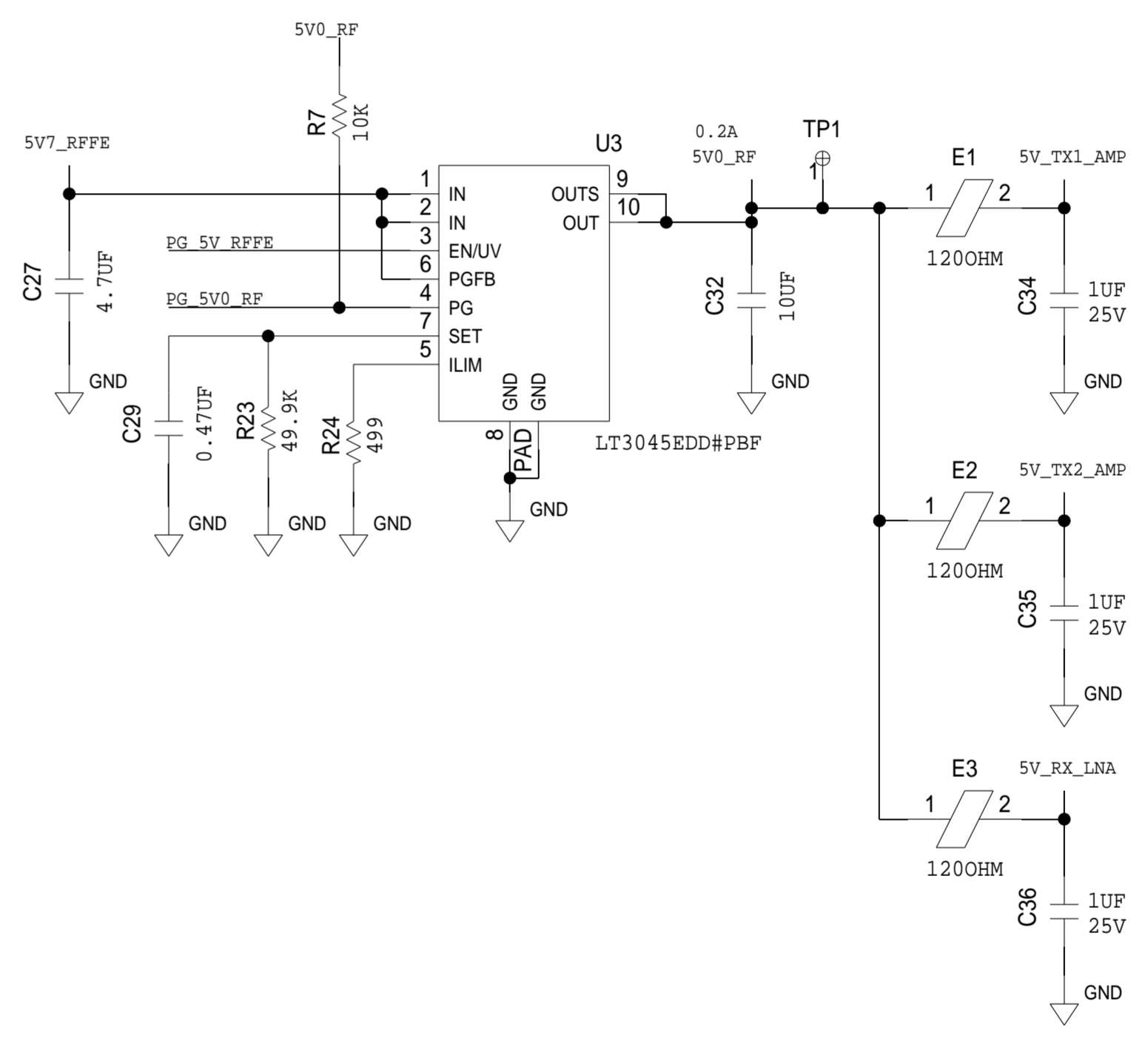
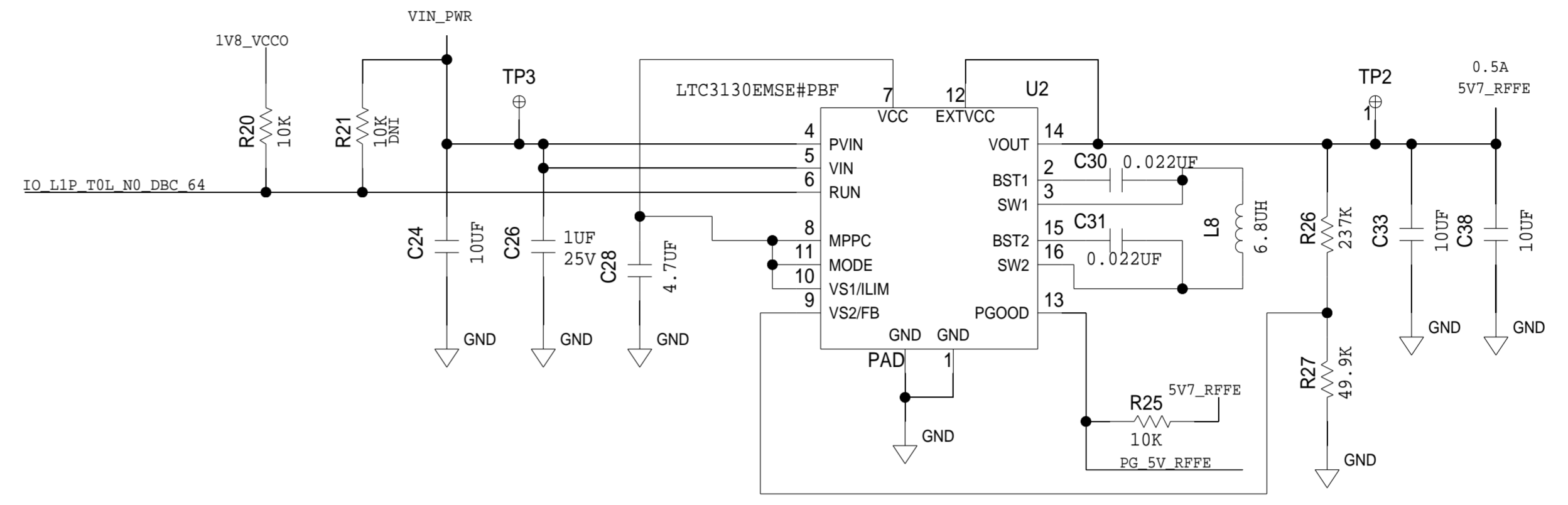
REVISIONS			
REV	DESCRIPTION	DATE	APPROVED



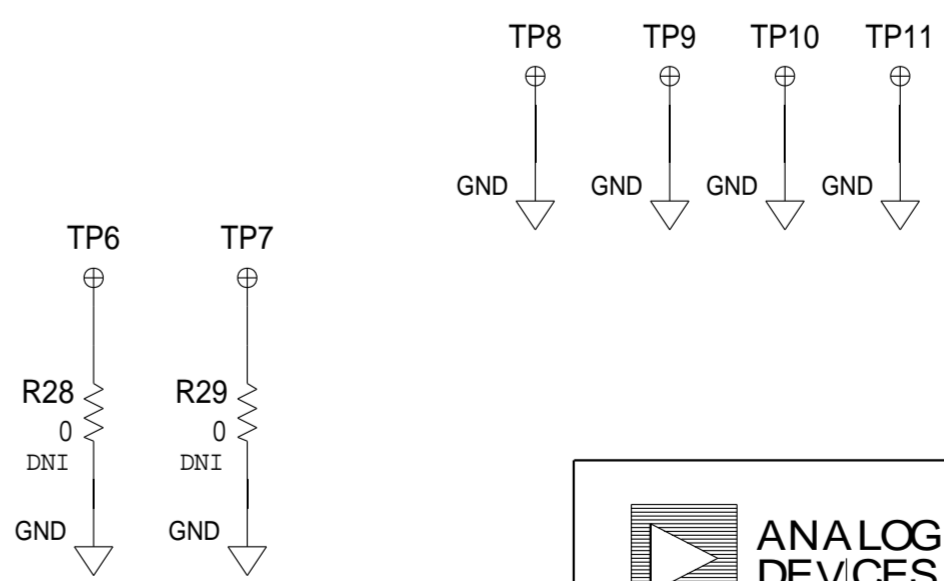
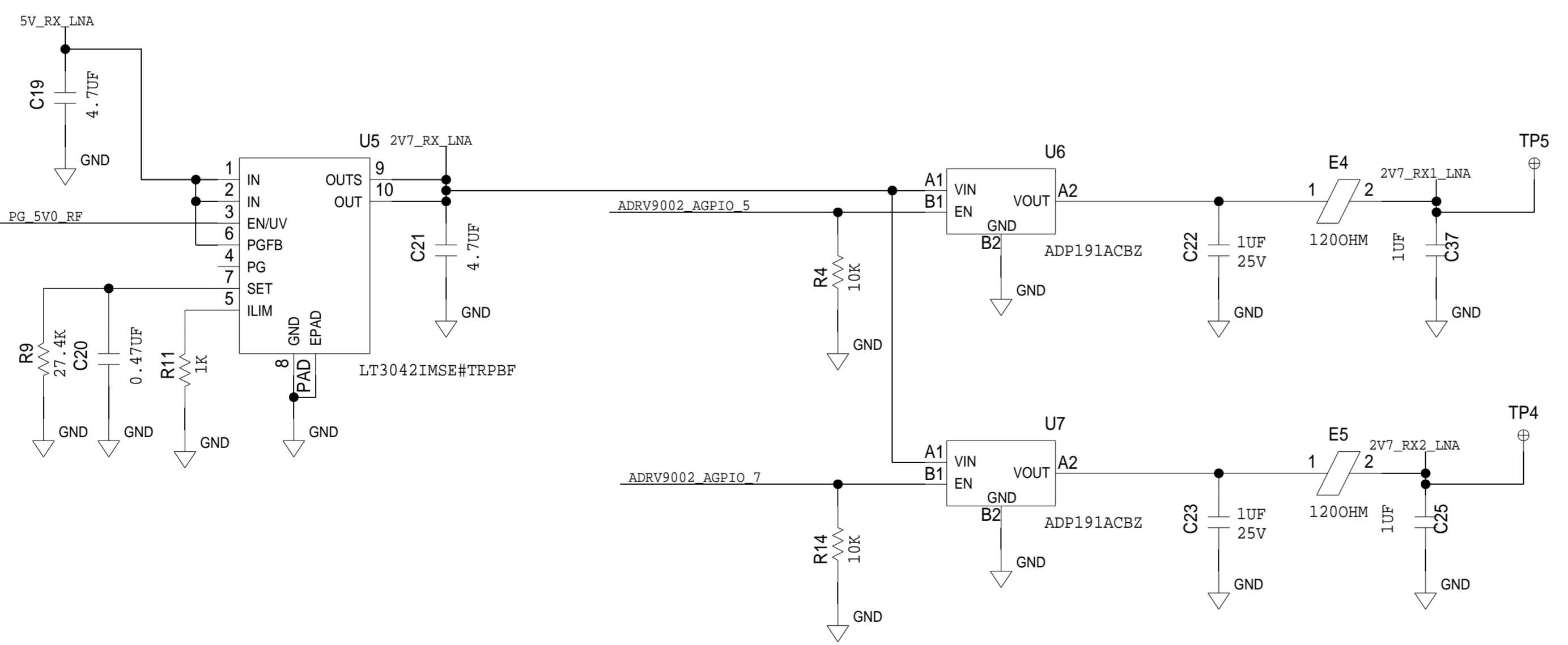
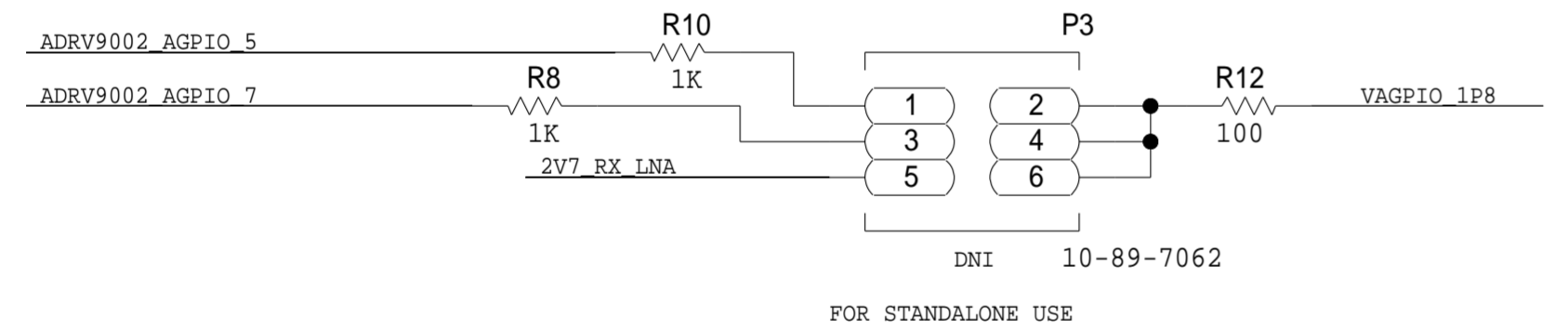
### MAIN BOARD INTERFACE



### POWER SUPPLY



### JUMPER CONFIG



ANALOG DEVICES			
HW TYPE : Customer Evaluation Z Product(s) : ADALM PLUTO-NG : RF FE ADD ON BOARD		<b>SCHMATIC</b>	
DESIGN VIEW <DESIGN_VIEW>	DRAWING NO. 02_071103	REV B	
PTD ENGINEER P. HURGOI	SIZE D	SCALE 1:1	SHEET 4 OF 4