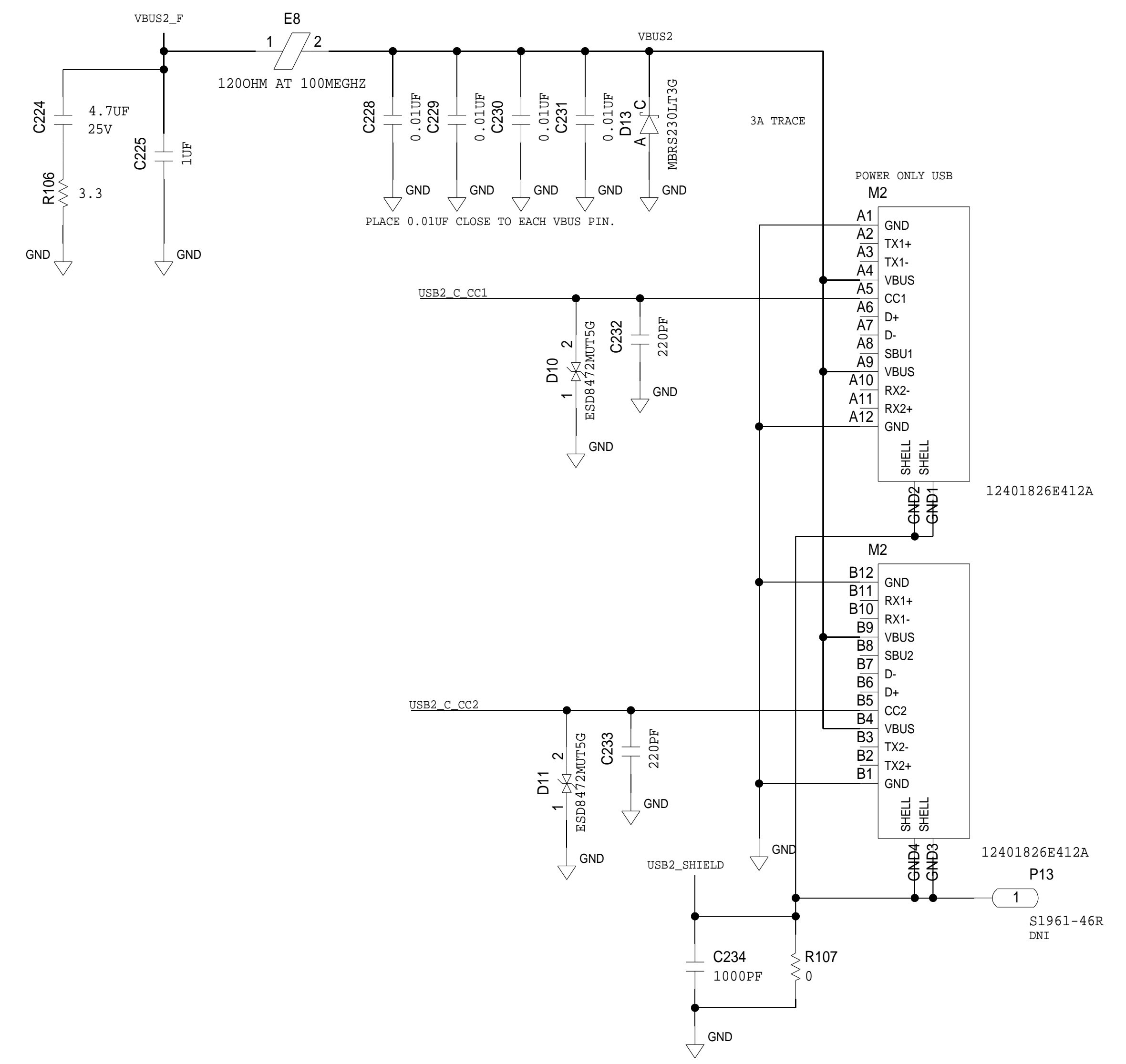
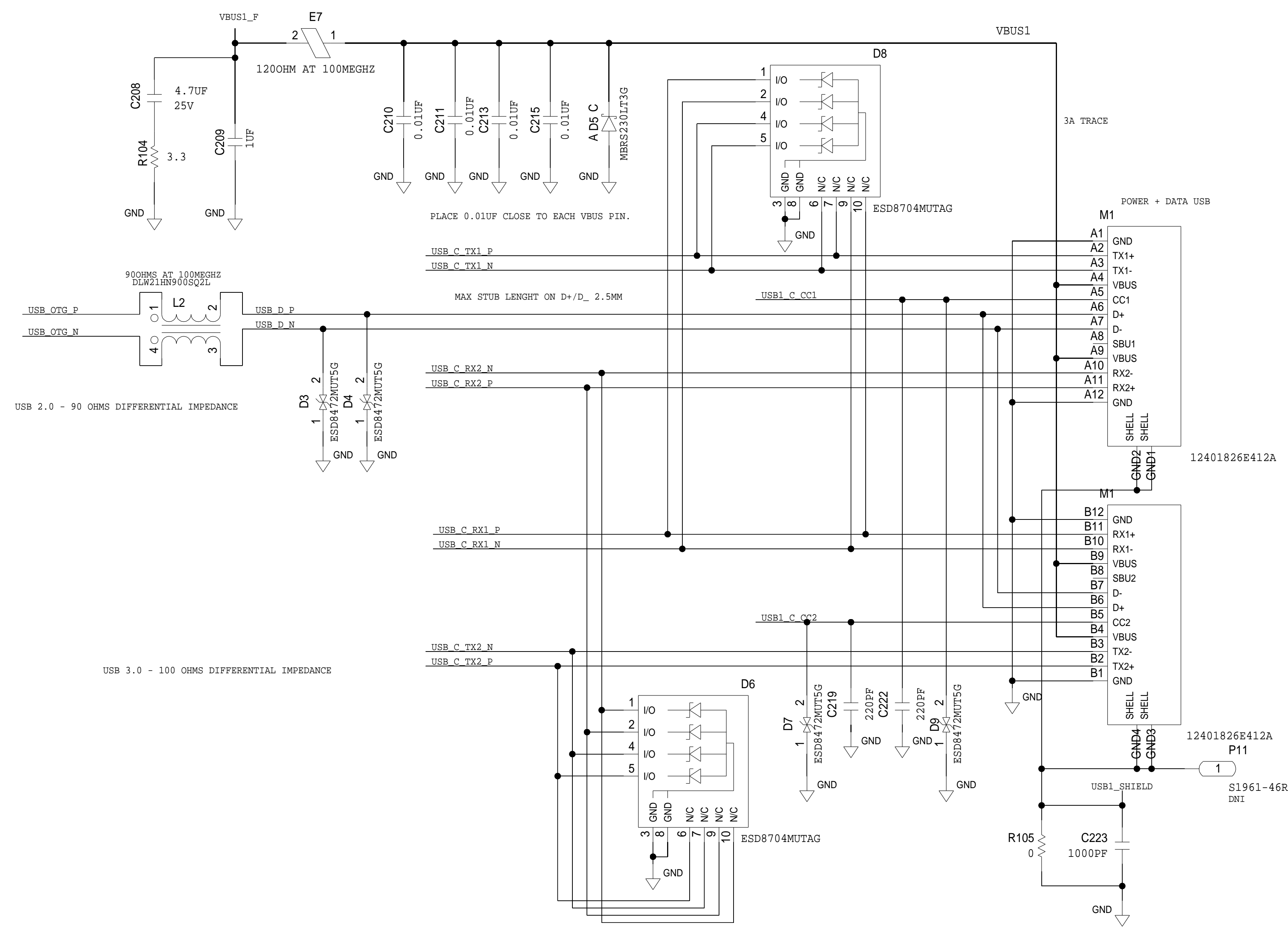


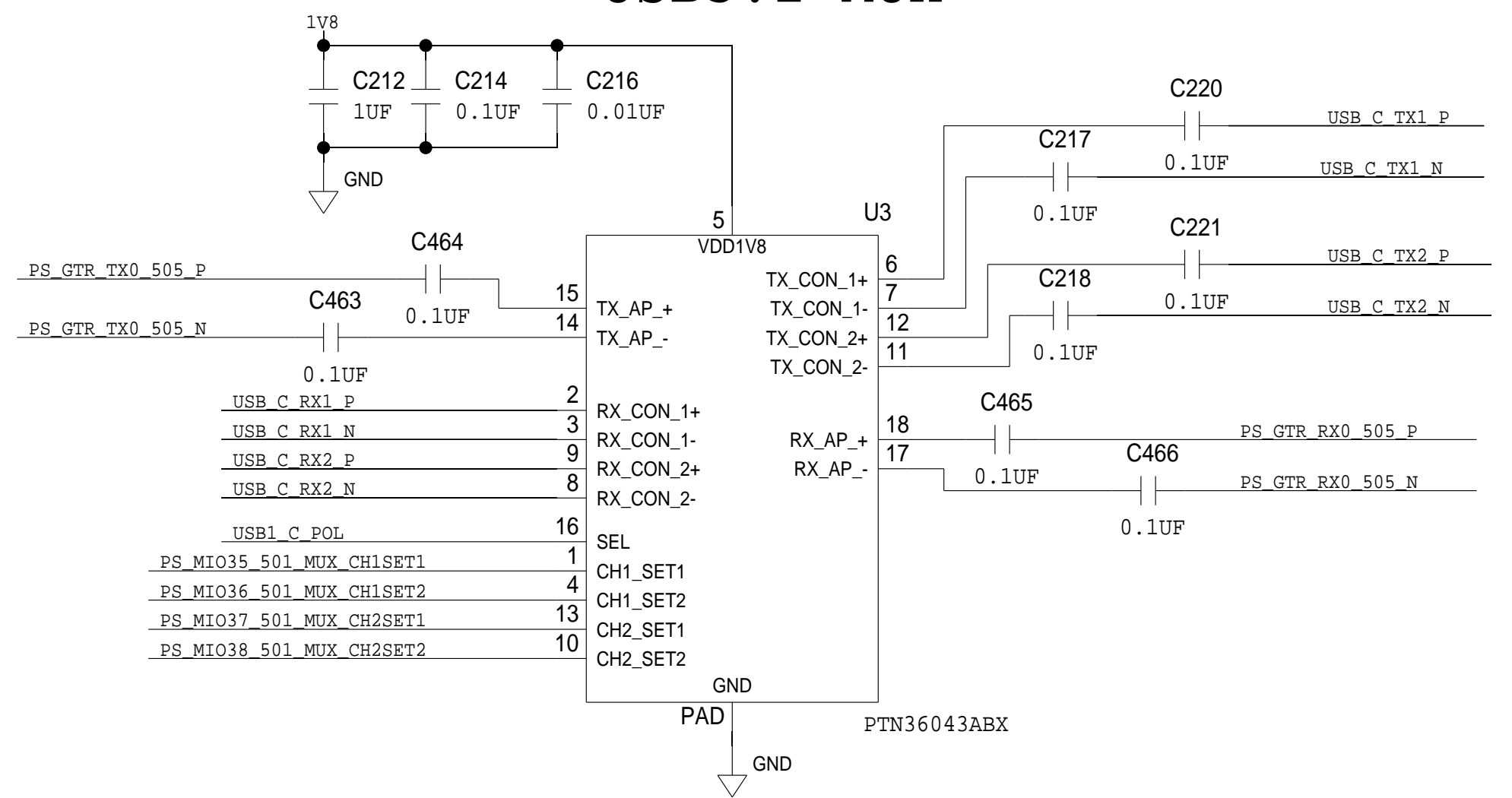


# USB TYPE C CONNECTORS

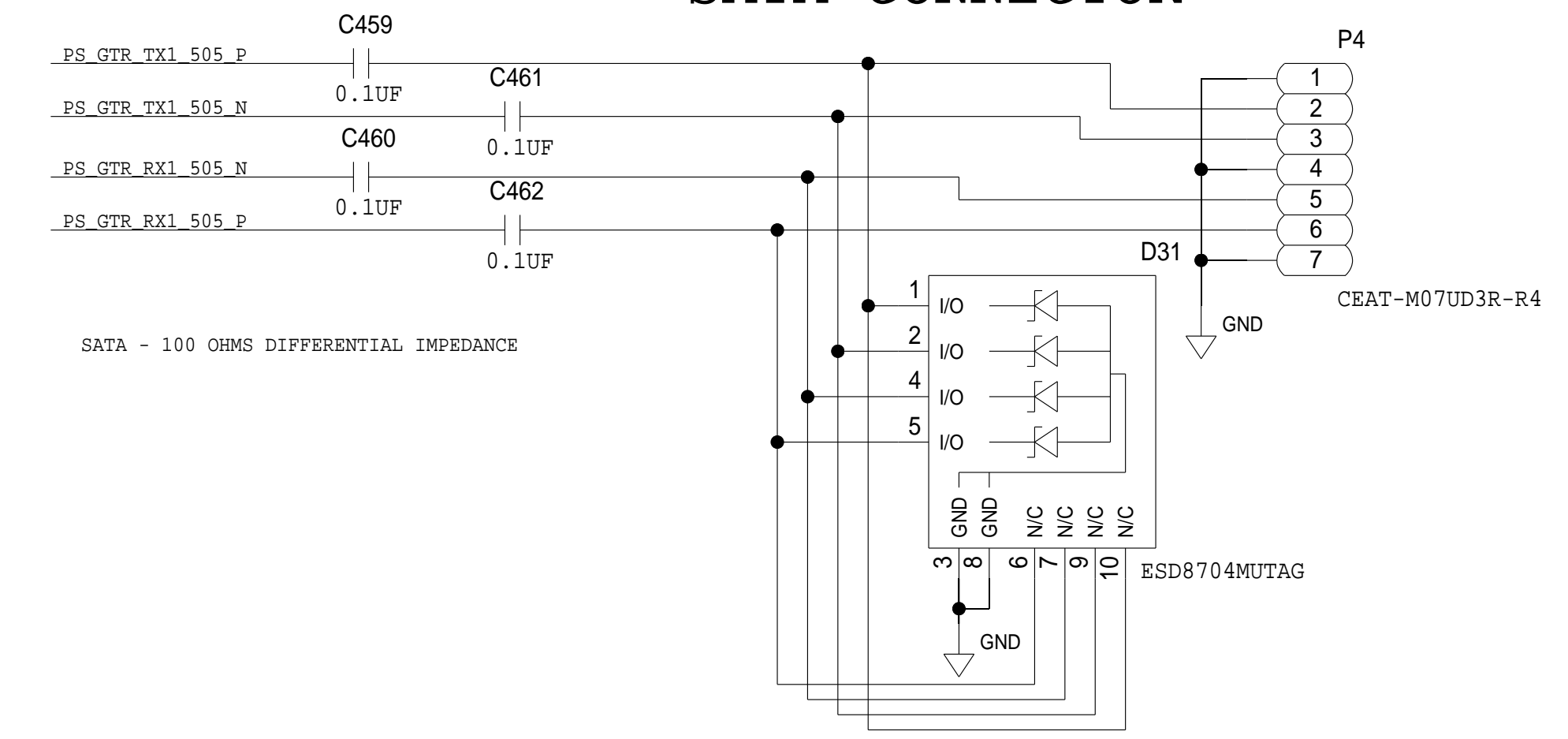
REVISIONS			
REV	DESCRIPTION	DATE	APPROVED



## USB3.1 MUX



## SATA CONNECTOR



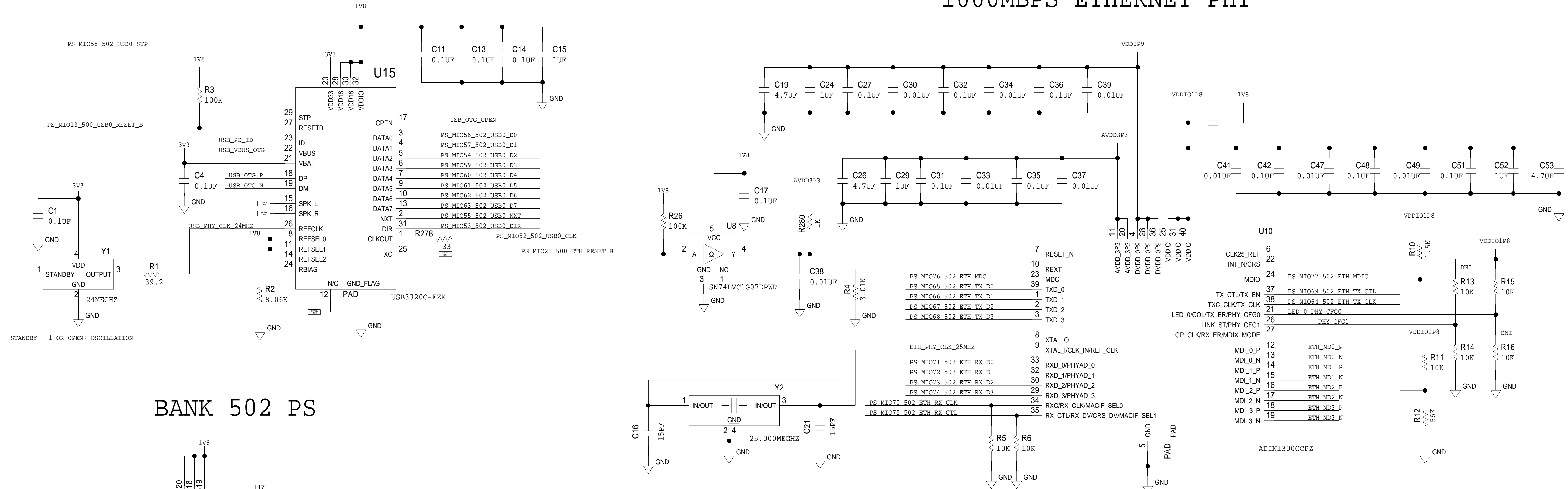
SCHEMATIC			
ANALOG DEVICES		HW TYPE : Customer Evaluation Z Product(s): ADRV9002 : zynq ultrascale	
DESIGN VIEW <DESIGN_VIEW>	DRAWING NO. 02_048139	REV C	
PTD ENGINEER P. HURGOI	SIZE D	SCALE 1:1	SHEET 2 OF 23

THIS DRAWING IS THE PROPERTY OF ANALOG DEVICES INC. IT IS NOT TO BE REPRODUCED OR COPIED, IN WHOLE OR IN PART, OR USED IN ANY MANNER WITHOUT THE WRITTEN PERMISSION OF ANALOG DEVICES. THE EQUIPMENT SHOWN HEREIN MAY BE PROTECTED BY PATENTS OWNED OR CONTROLLED BY ANALOG DEVICES.

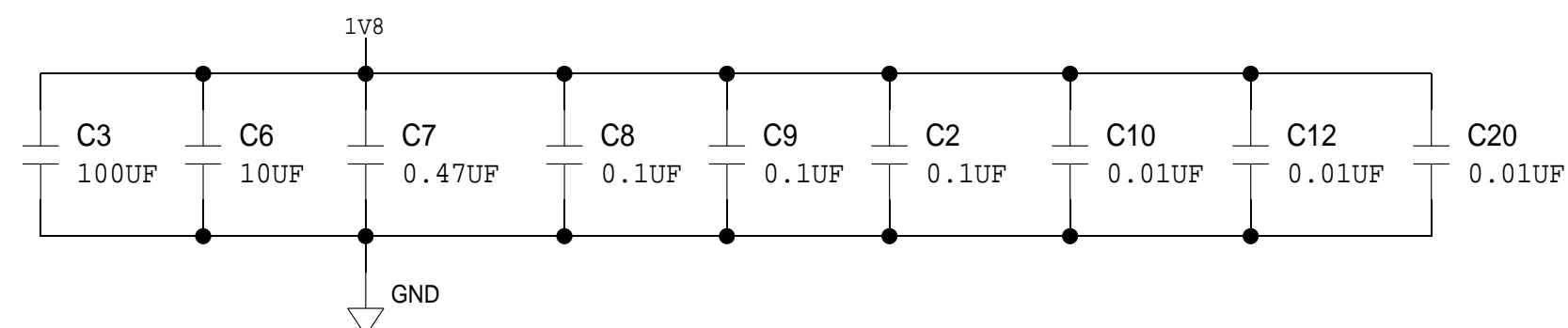
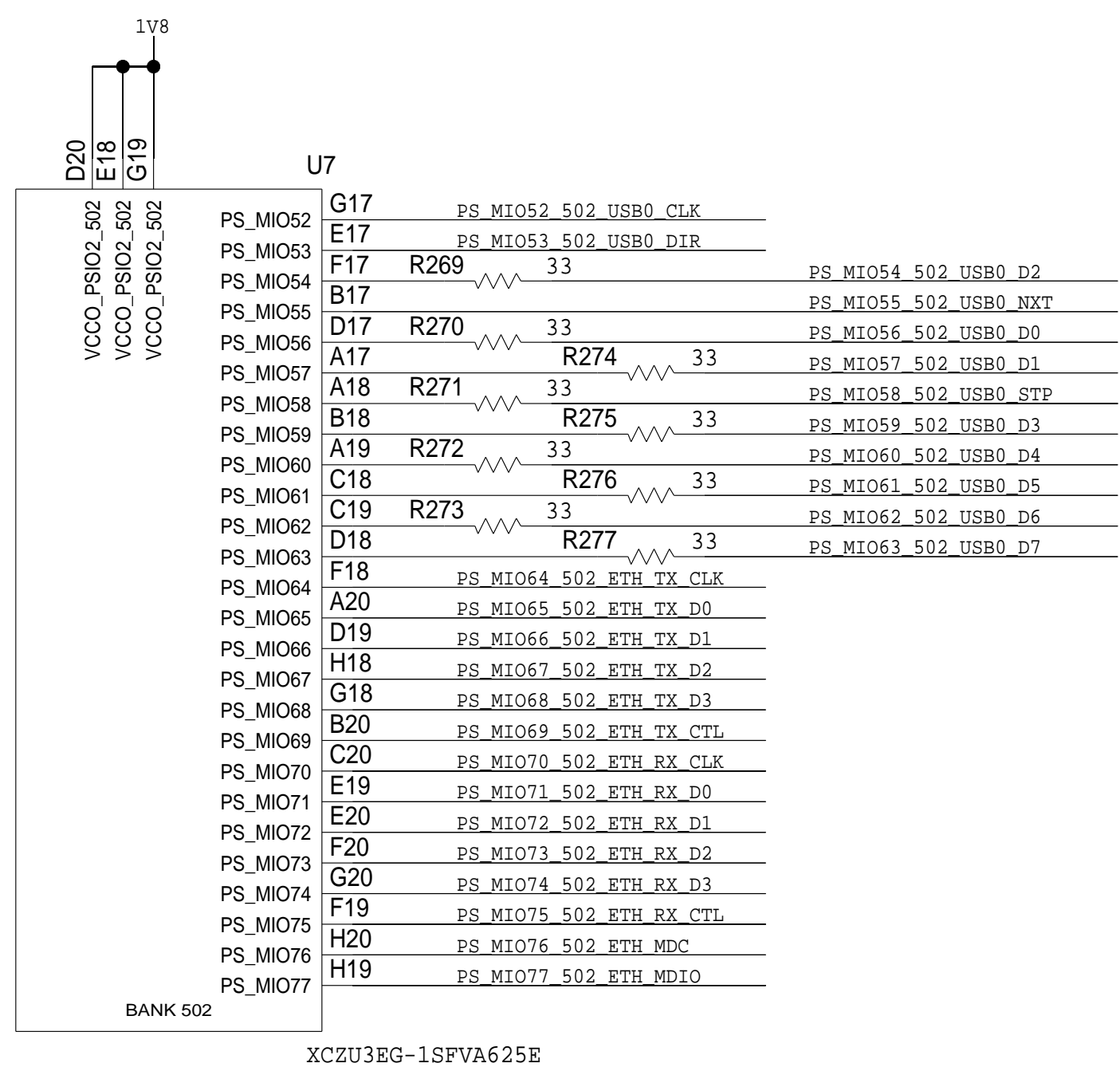
REVISIONS			
REV	DESCRIPTION	DATE	APPROVED

### USB2.0 PHY

### 1000MBPS ETHERNET PHY



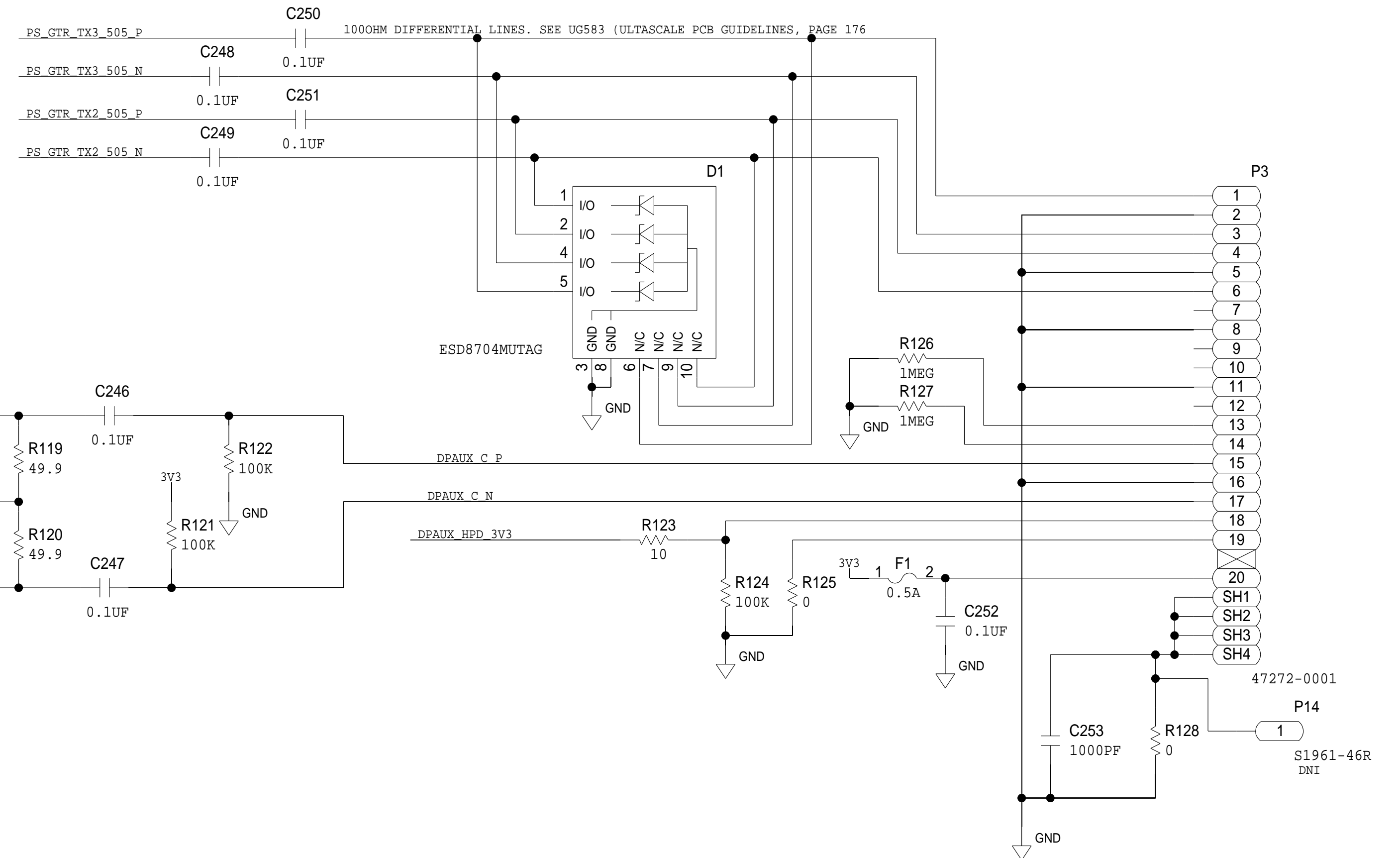
### BANK 502 PS



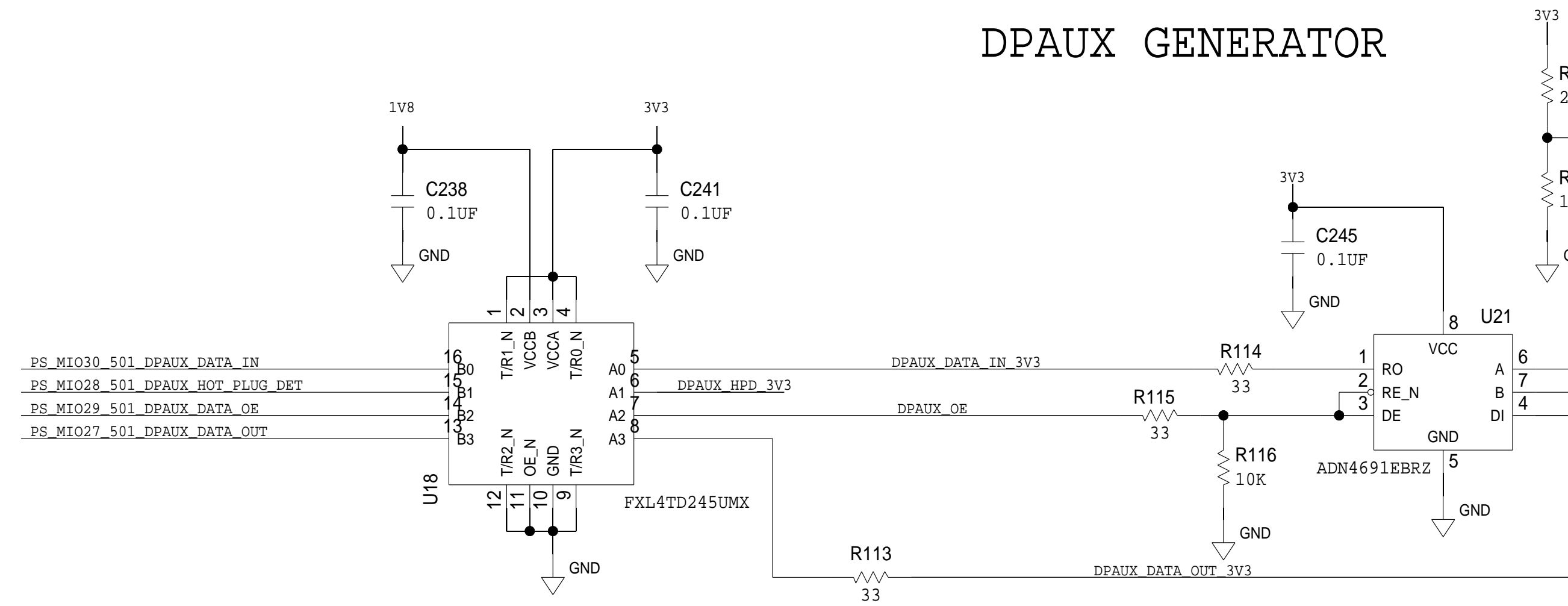
	<b>SCHEMATIC</b>		
	HW TYPE : Customer Evaluation Z Product(s) : ADRV9002 : zynq ultrascale		
DESIGN VIEW <DESIGN_VIEW>	DRAWING NO. 02_048139	REV C	
PTD ENGINEER P. HURGOI	SIZE D	SCALE 1:1	SHEET 3 OF 23

REVISIONS			
REV	DESCRIPTION	DATE	APPROVED

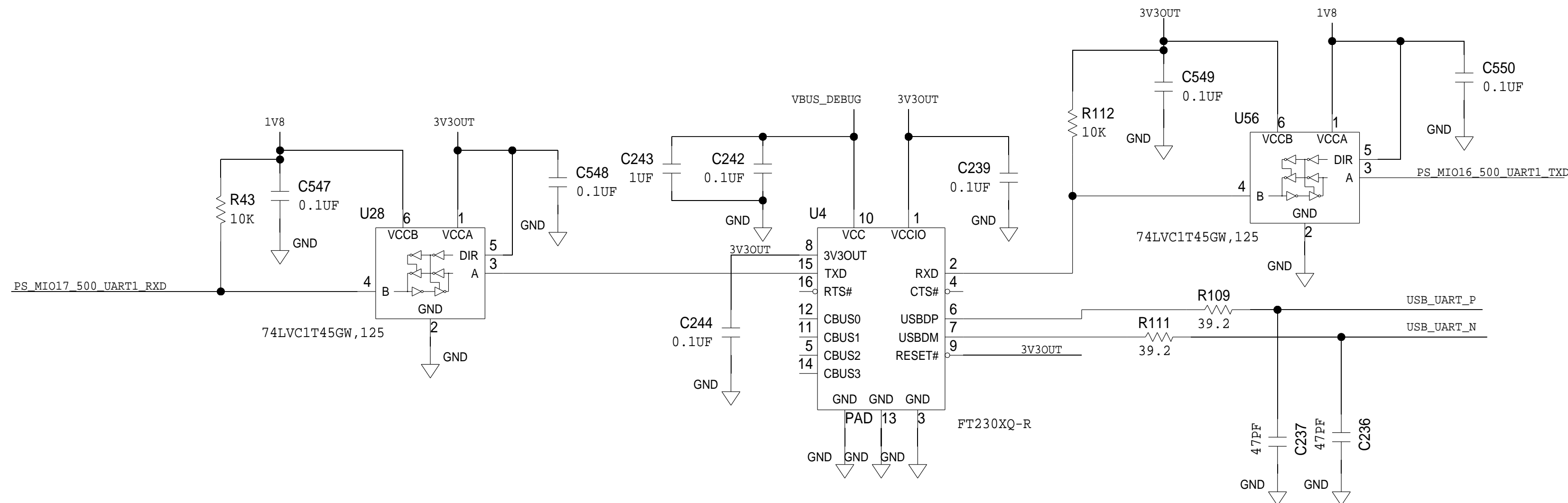
### DISPLAYPORT CONNECTOR



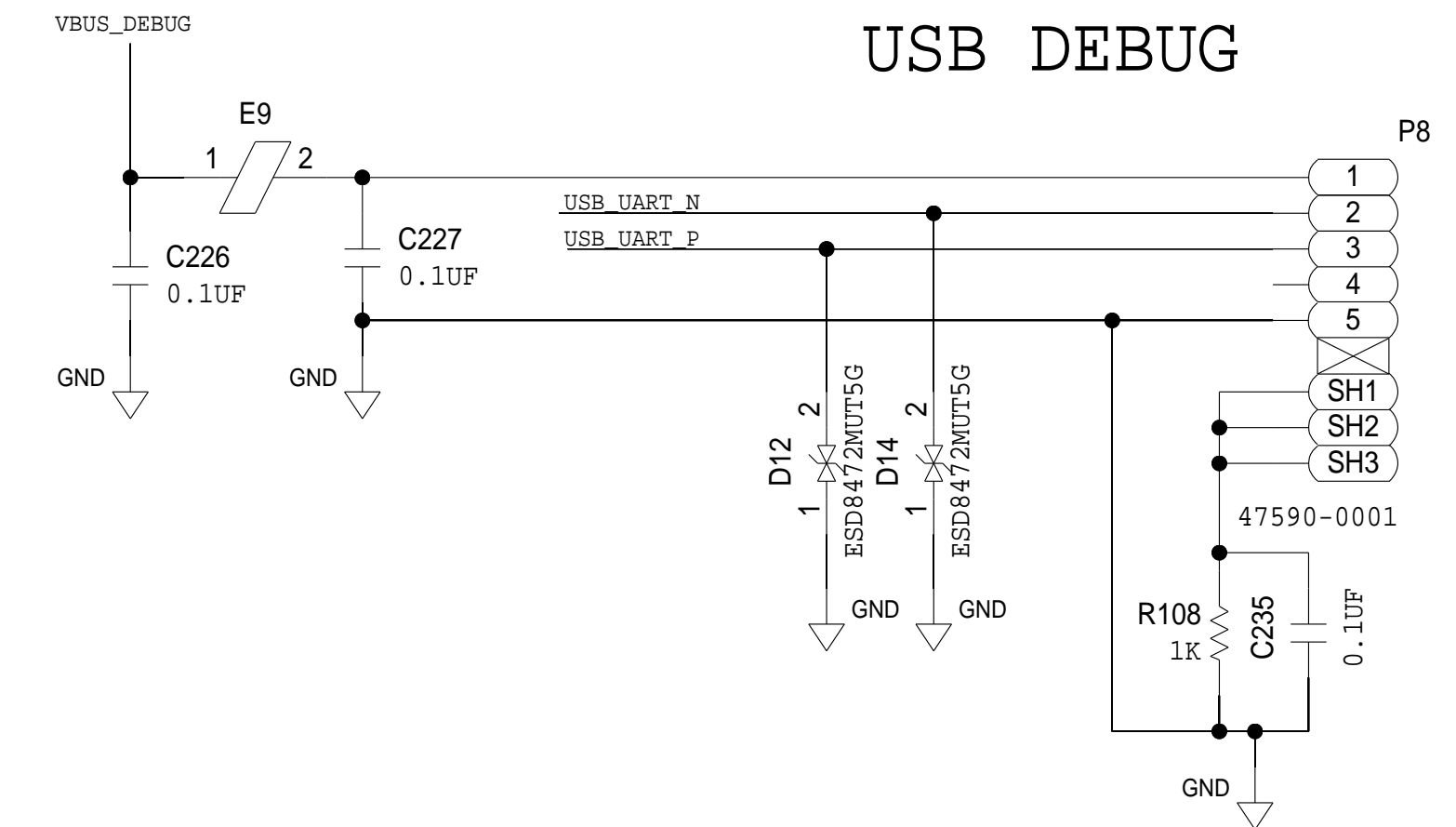
### DPAUX GENERATOR



### UART TRANSCEIVER



### USB DEBUG

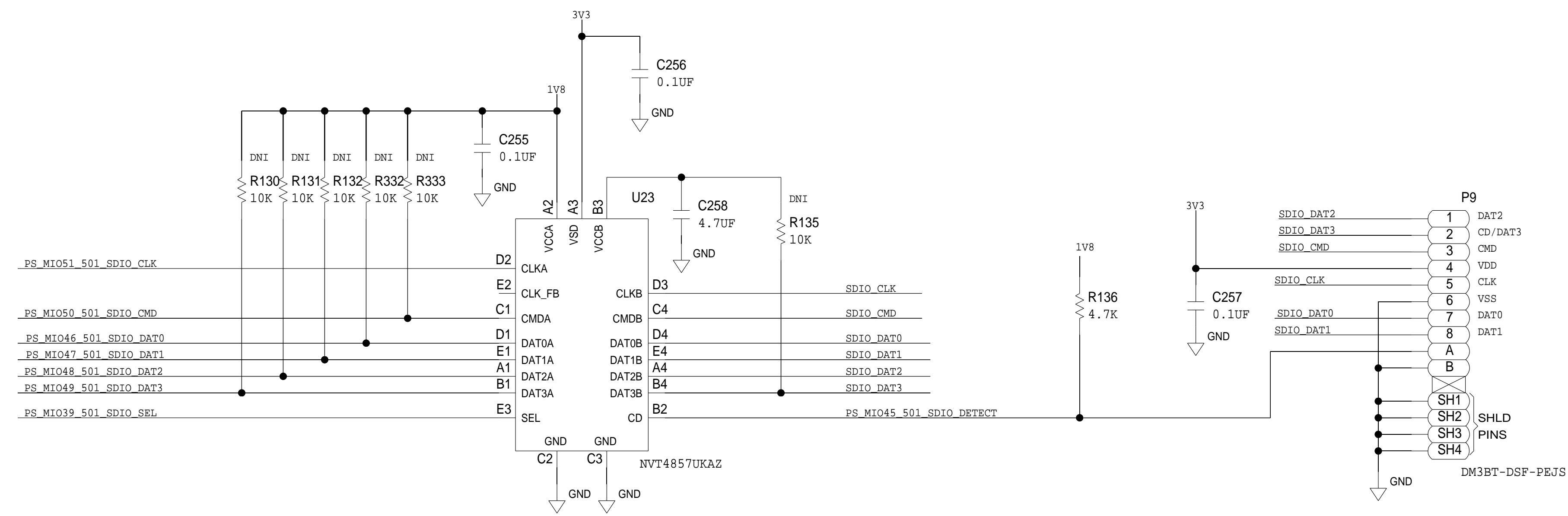


SCHEMATIC			
	HW TYPE : Customer Evaluation Z	DRAWING NO.	REV
	Product(s) : ADRV9002 : zynq ultrascale	02_048139	C
DESIGN VIEW <DESIGN_VIEW>	PTD ENGINEER P. HURGOI	SIZE D	SCALE 1:1
		SHEET 4	OF 23



REVISIONS			
REV	DESCRIPTION	DATE	APPROVED

### SD CARD



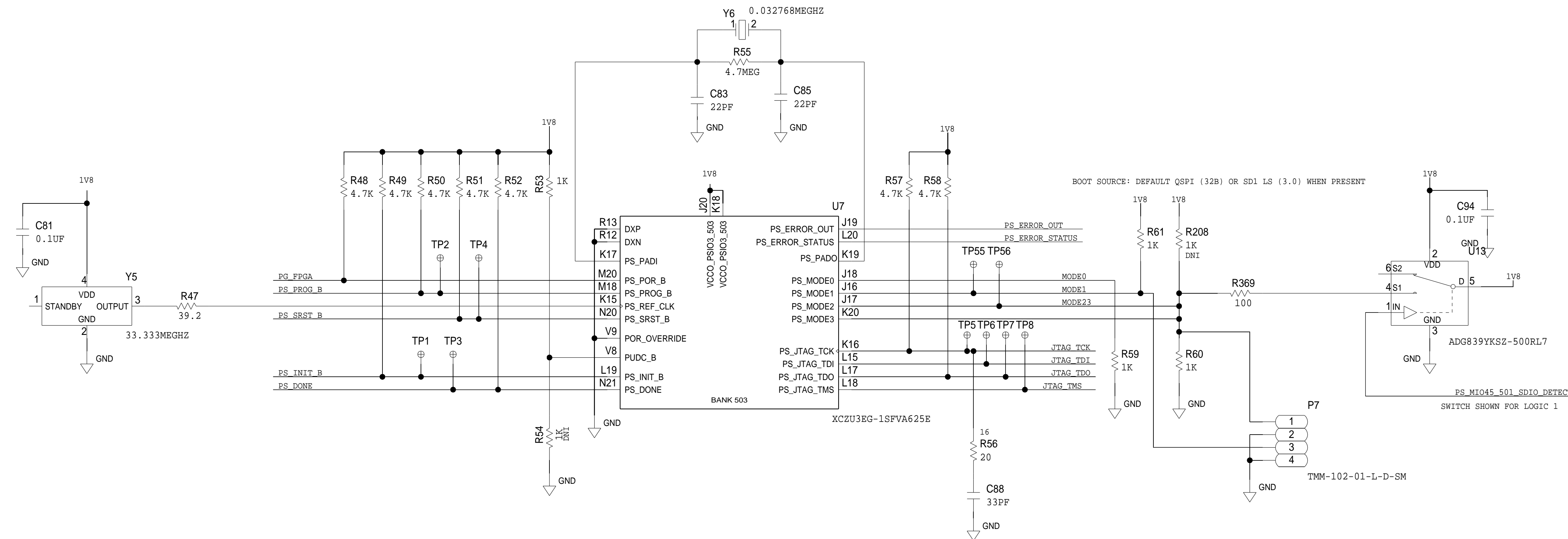
### QSPI FLASH



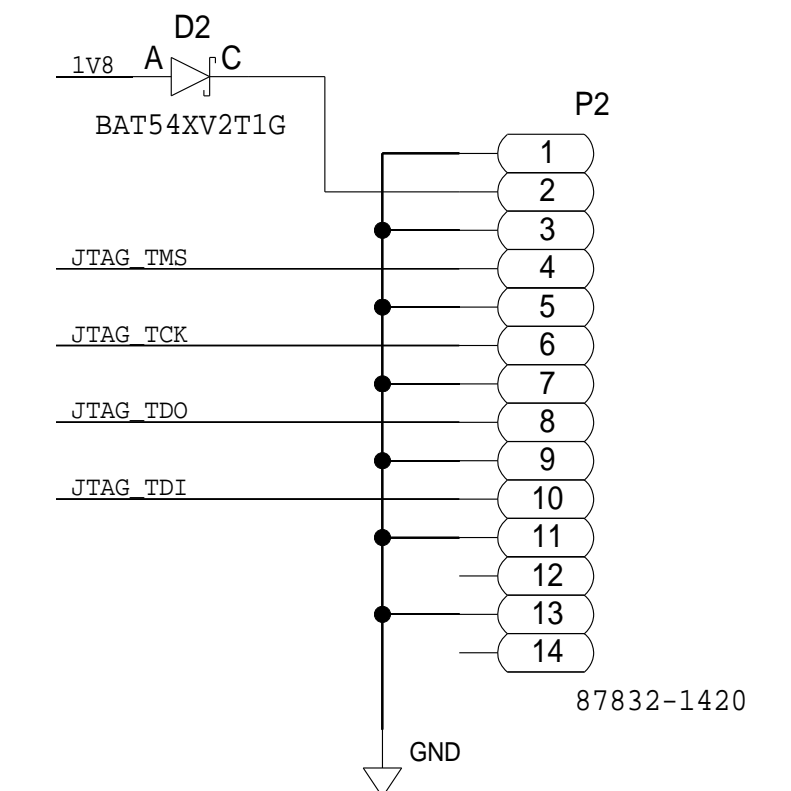
SCHEMATIC			
		HW TYPE : Customer Evaluation Z Product(s): ADRV9002 : zynq ultrascale	
DESIGN VIEW <DESIGN_VIEW>		DRAWING NO. 02_048139	
PTD ENGINEER F. HURGOI		SIZE D	SCALE 1:1
		SHEET 6 OF 23	

REVISIONS			
REV	DESCRIPTION	DATE	APPROVED

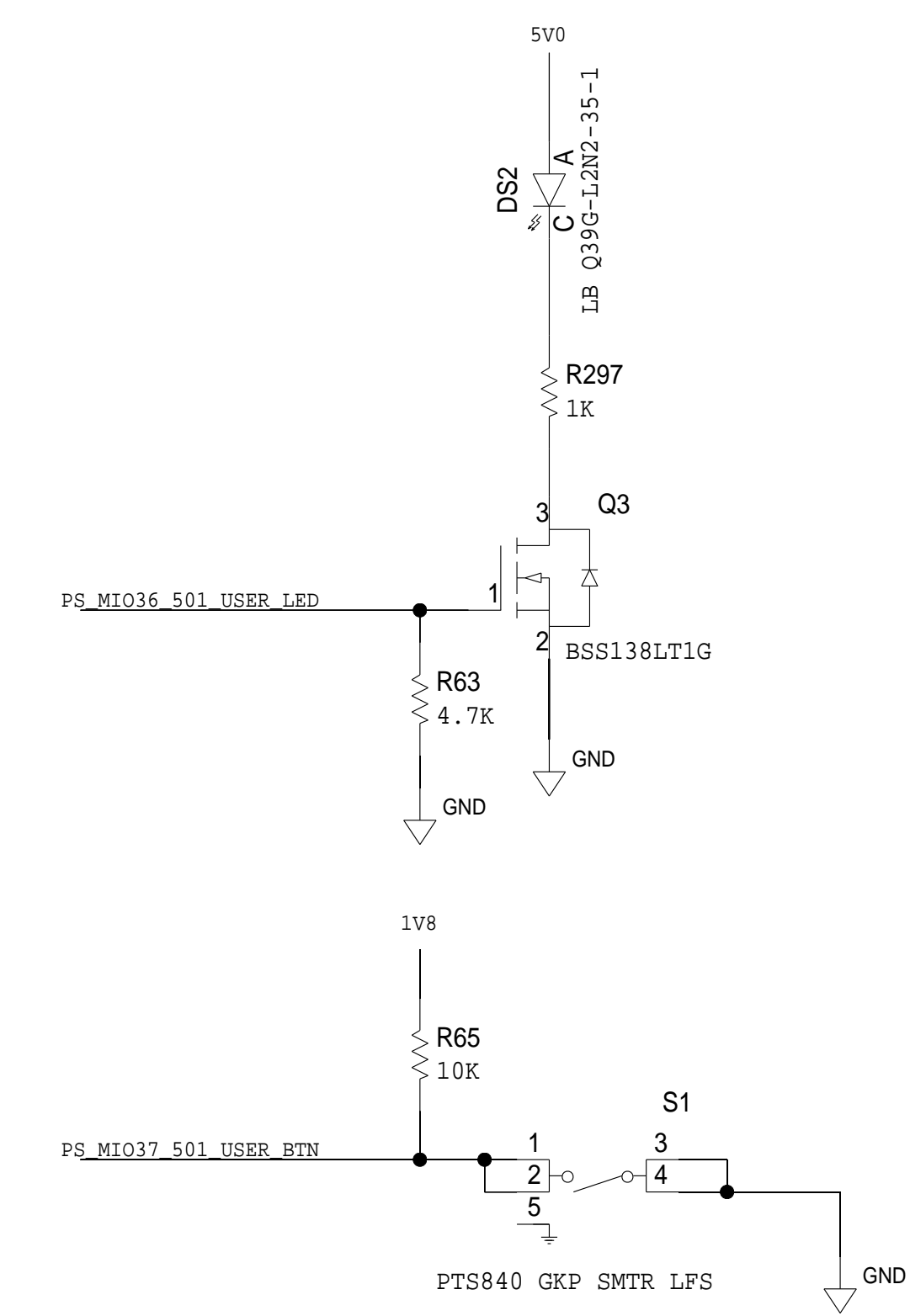
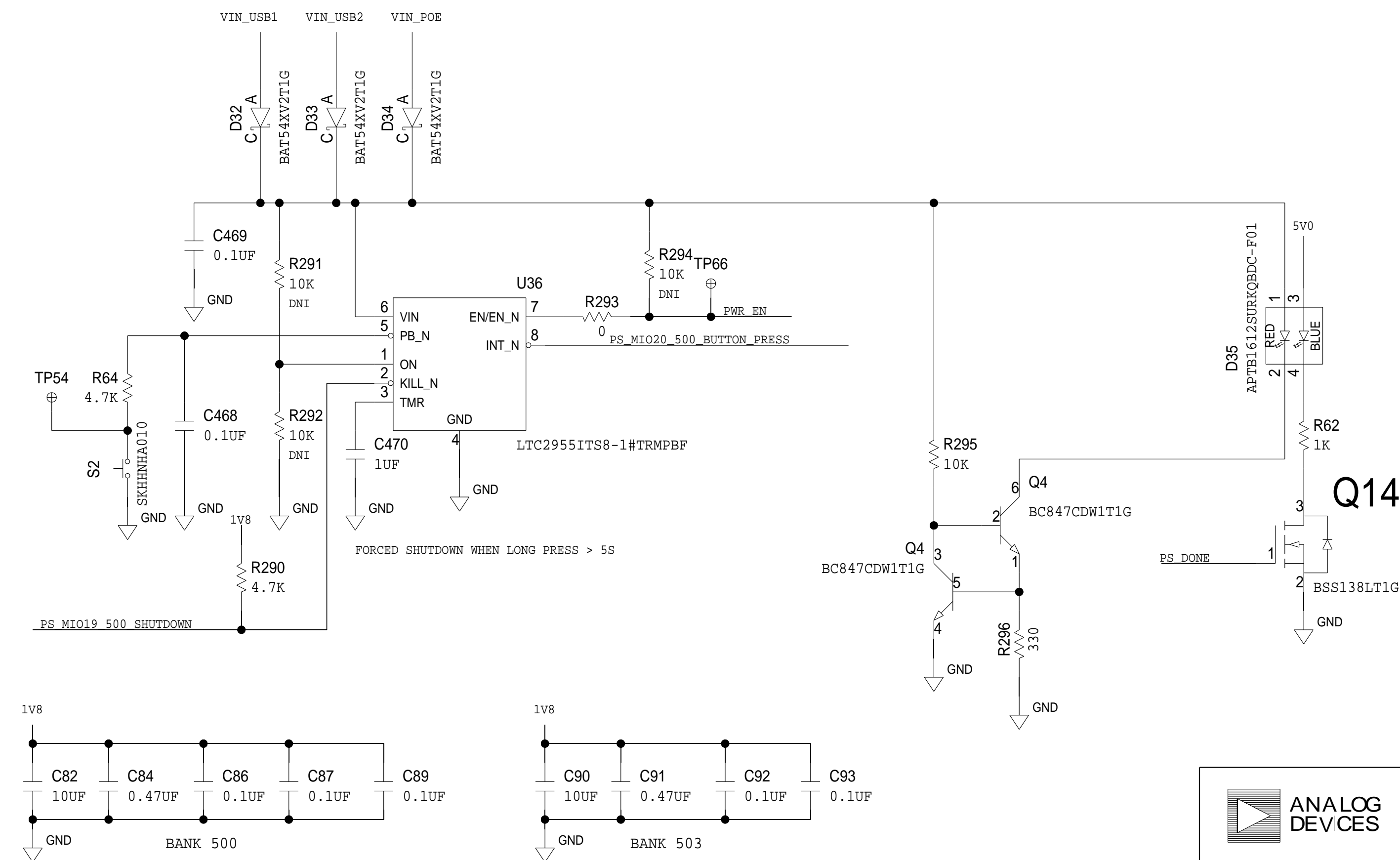
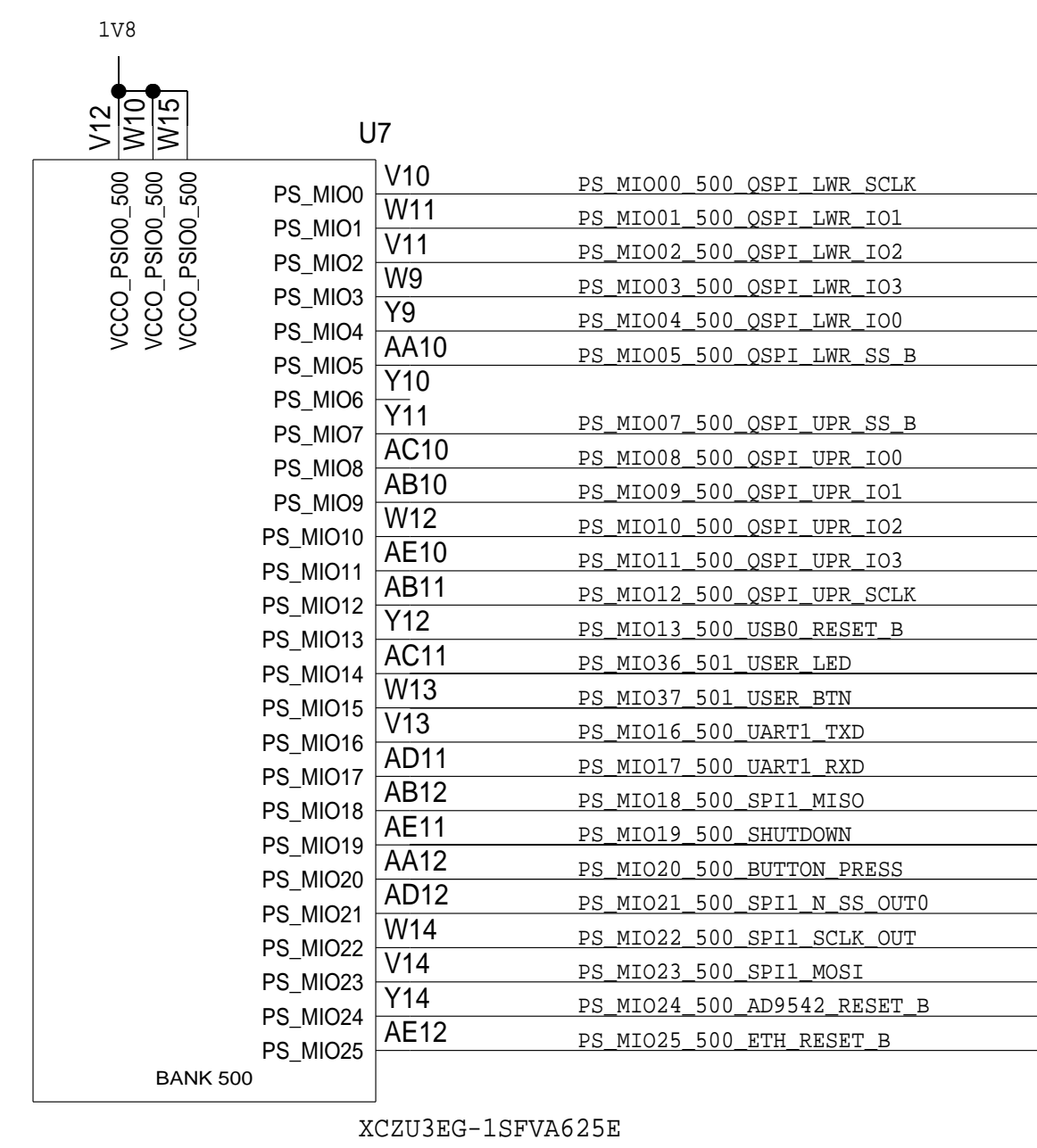
## PS BANK 503 1V8 BOOT AND CONFIGURATION



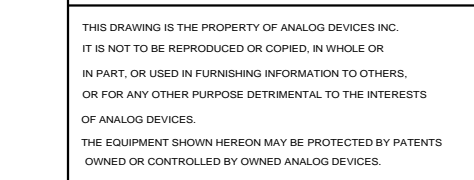
## JTAG DEBUG INTERFACE



## PS BANK 500 1V8



SCHEMATIC			
HW TYPE : Customer Evaluation Z Product(s): ADRV9002 : zynq ultrascale		DRAWING NO. 02_048139	REV C
DESIGN VIEW <DESIGN_VIEW>	SIZE D	SCALE 1:1	SHEET 7 OF 23
PTD ENGINEER F. HURGOI			



THIS DRAWING IS THE PROPERTY OF ANALOG DEVICES INC. IT IS NOT TO BE REPRODUCED OR COPIED, IN WHOLE OR IN PART, OR USED IN FURNISHING INFORMATION TO OTHERS, OR FOR ANY OTHER PURPOSE DETRIMENTAL TO THE INTERESTS OF ANALOG DEVICES. THE EQUIPMENT SHOWN HEREIN MAY BE PROTECTED BY PATENTS OWNED OR CONTROLLED BY ANALOG DEVICES.

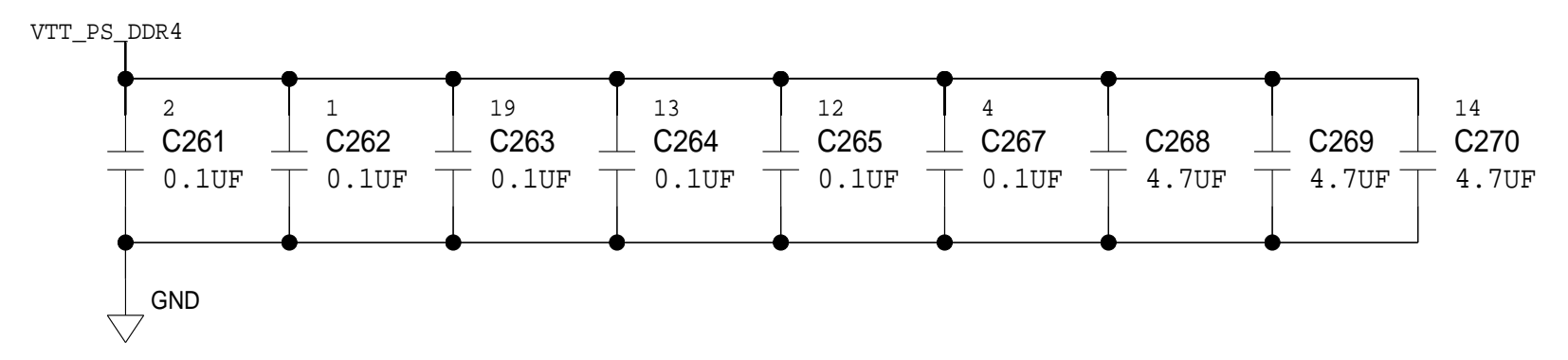
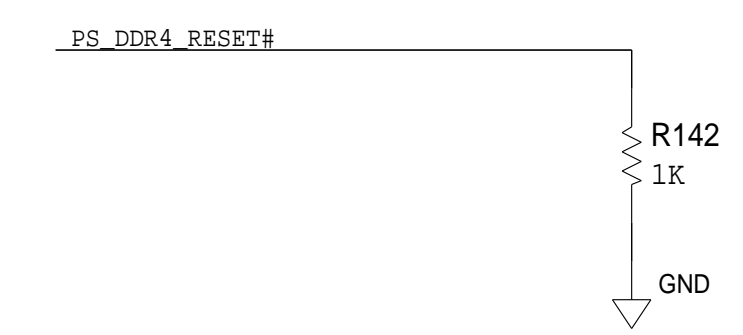
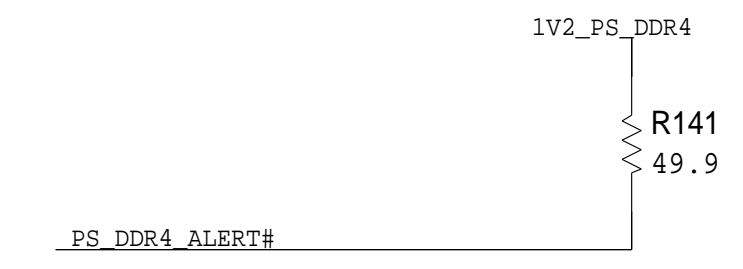
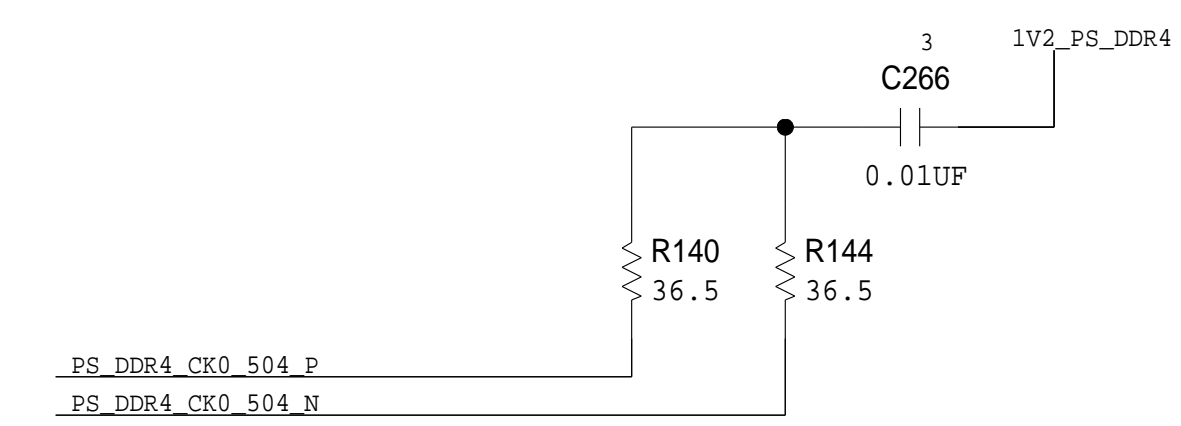
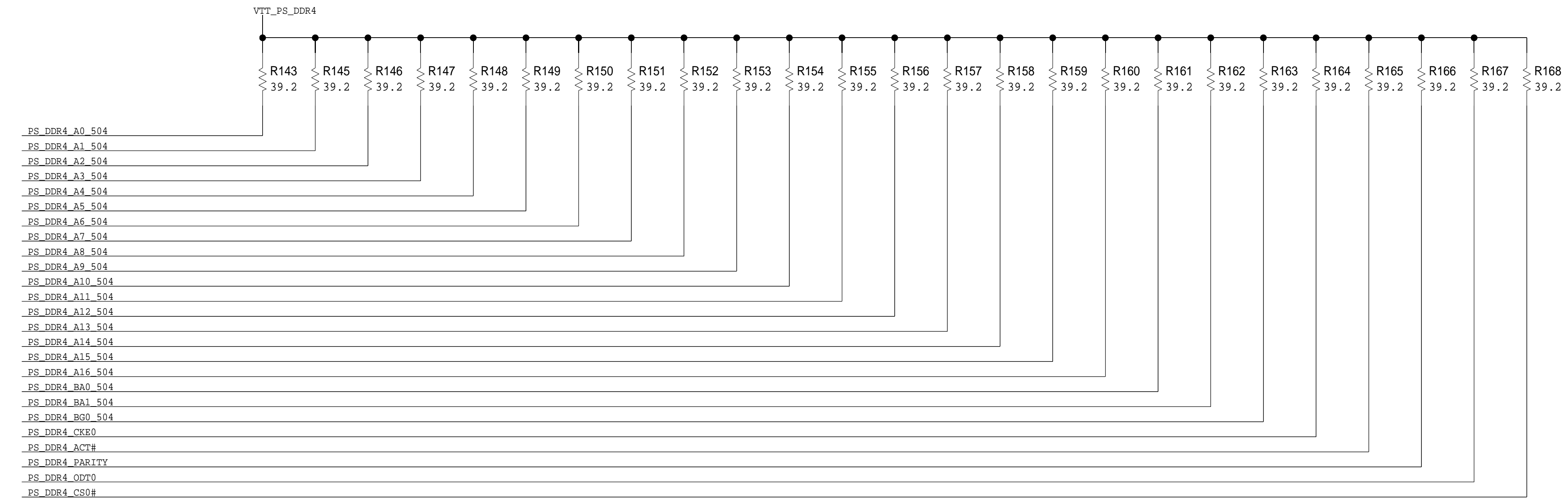






REVISIONS			
REV	DESCRIPTION	DATE	APPROVED

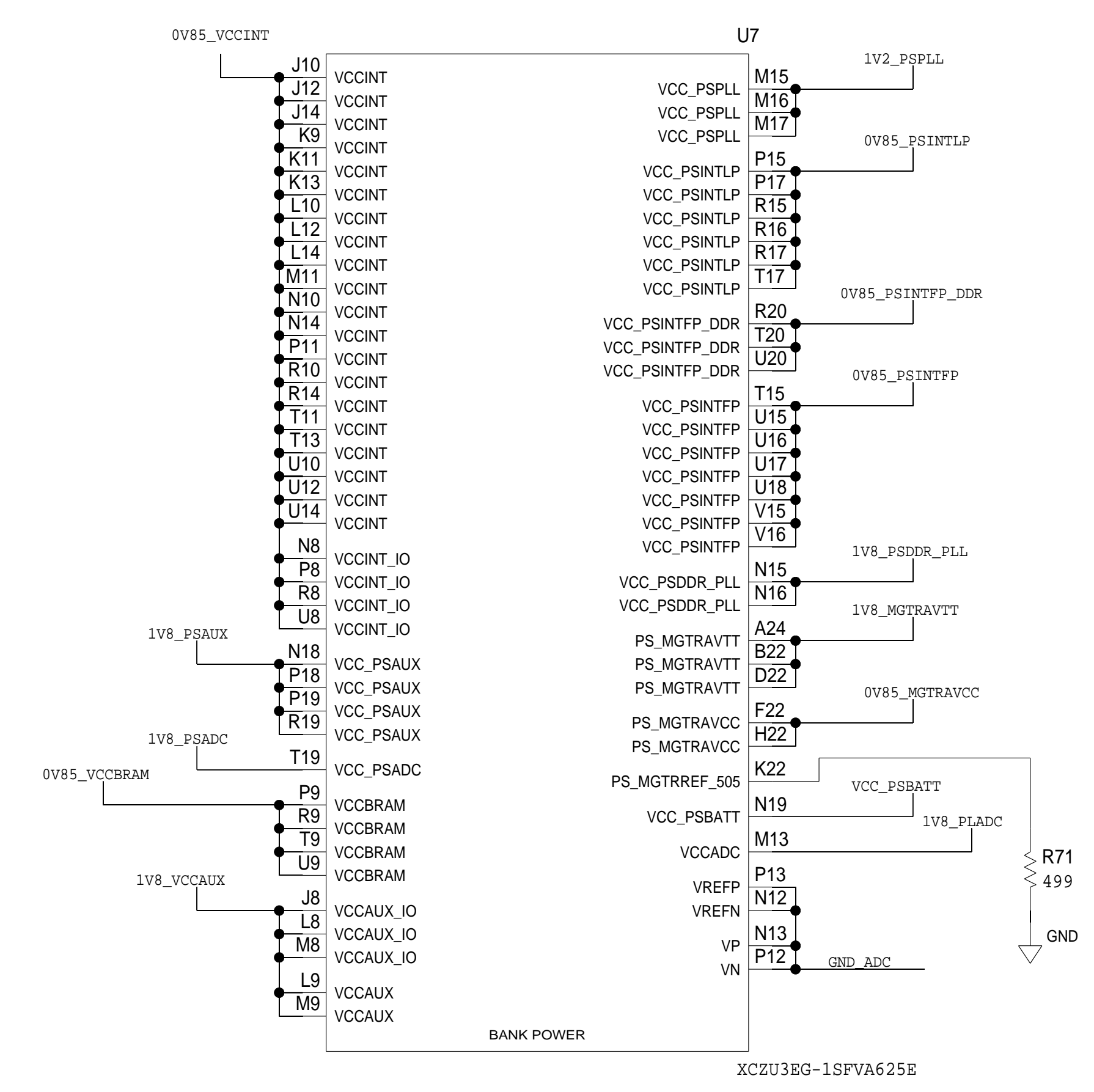
# PS DDR TERMINATION



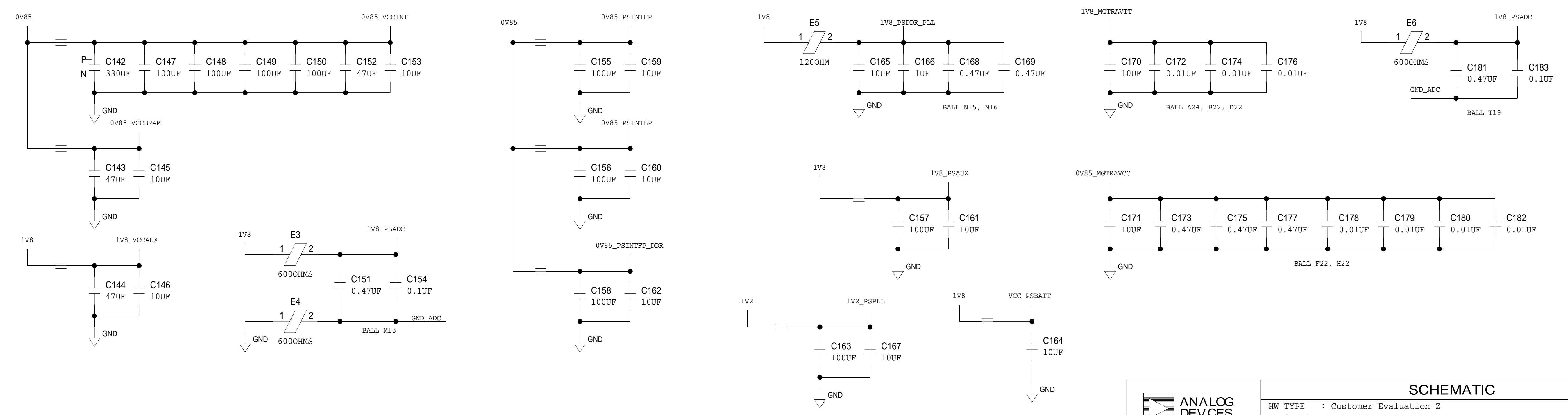
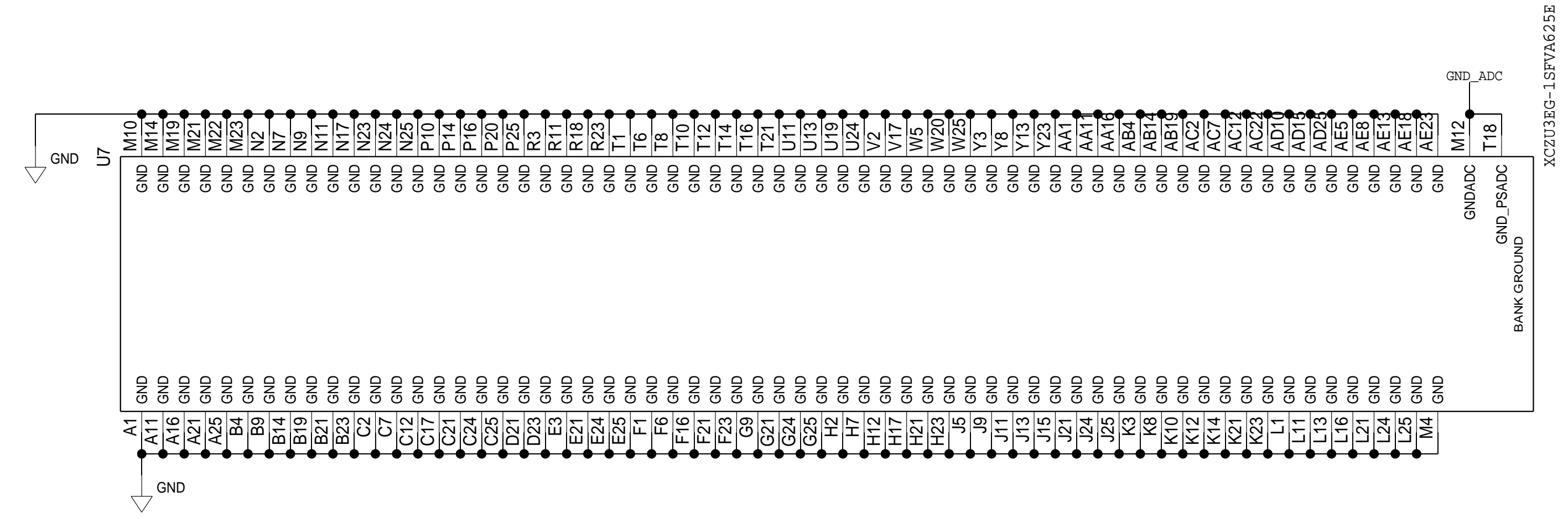
	<b>SCHEMATIC</b>		
	HW TYPE : Customer Evaluation Z Product(s): ADRV9002 : zynq ultrascale		
	DESIGN VIEW <DESIGN_VIEW>	DRAWING NO. 02_048139	REV C
	PTD ENGINEER F. HURGOI	SIZE D	SCALE 1:1
		SHEET 9 OF 23	

REVISIONS			
REV	DESCRIPTION	DATE	APPROVED

# ZYNQ ULTRASCALE POWER



# ZYNQ ULTRASCALE GND

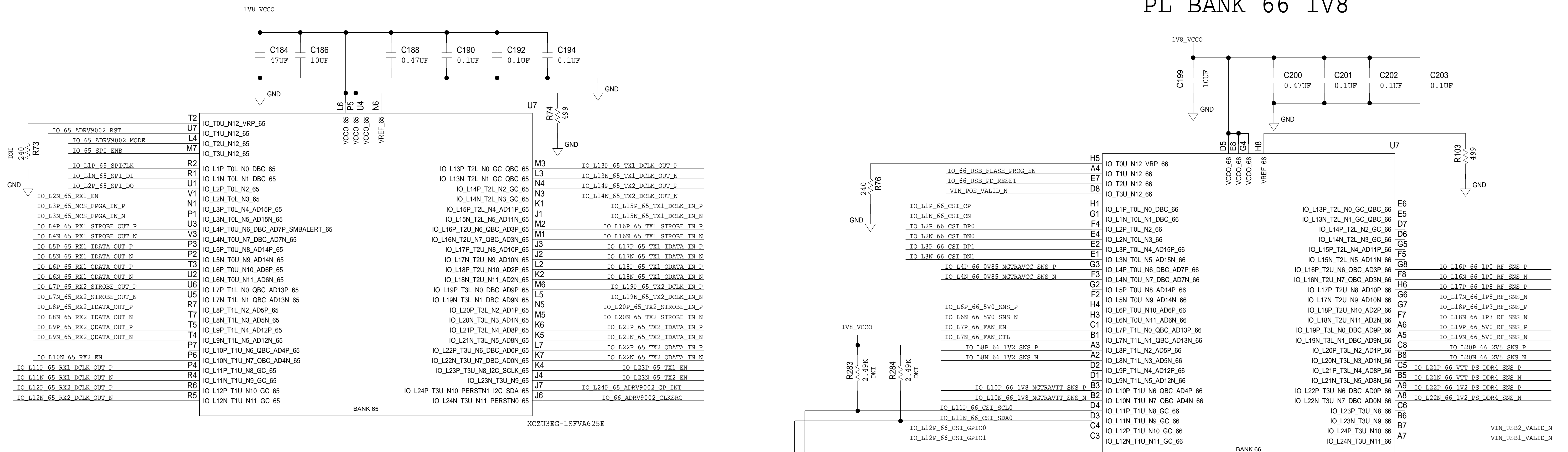


	<b>SCHEMATIC</b>		
	HW TYPE : Customer Evaluation Z Product(s) : ADRV9002 : zynq ultrascale		
DESIGN VIEW <DESIGN_VIEW>	DRAWING NO. 02_048139	REV C	
PTD ENGINEER P. HURGOI	SIZE D	SCALE 1:1	SHEET 10 OF 23

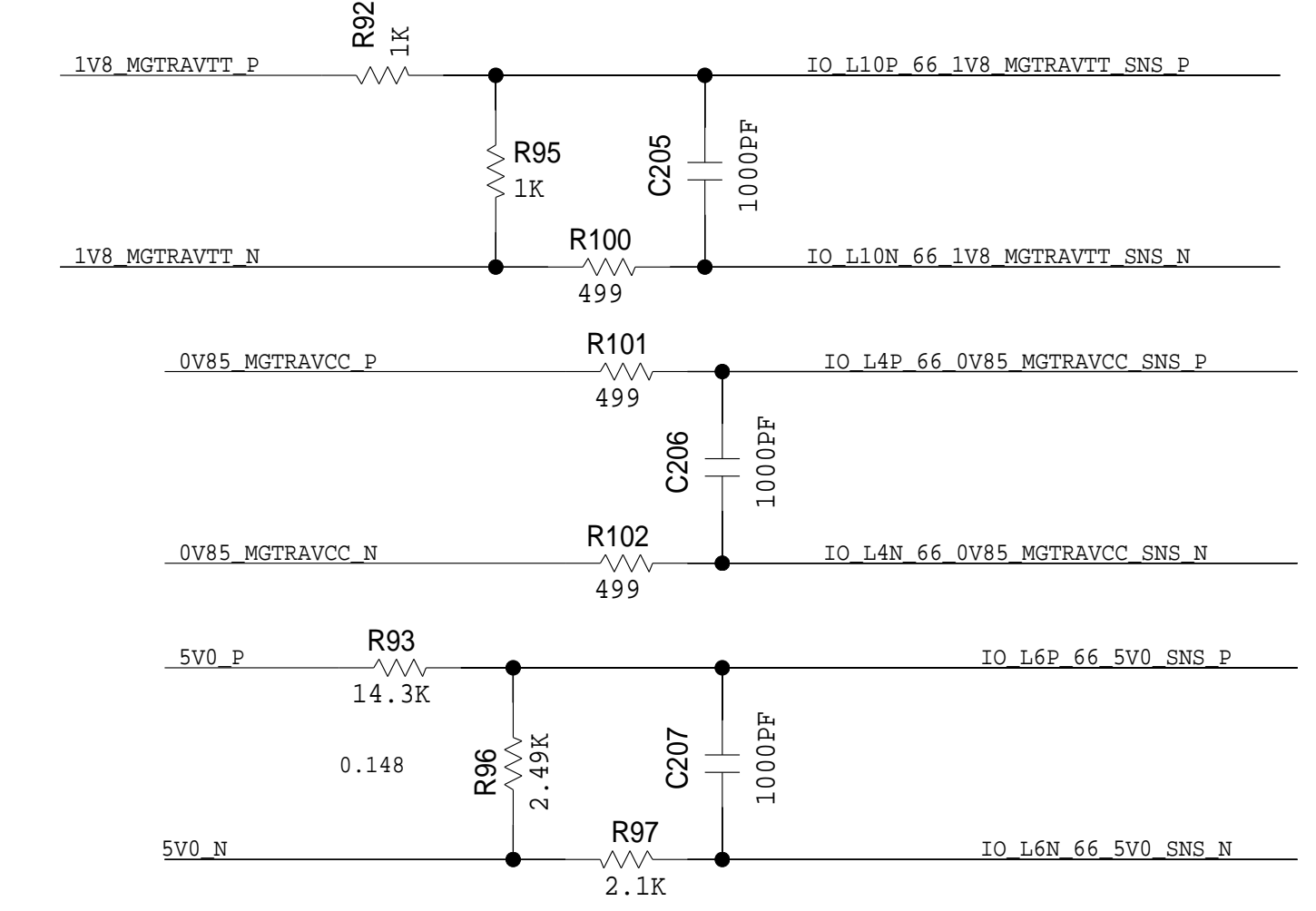
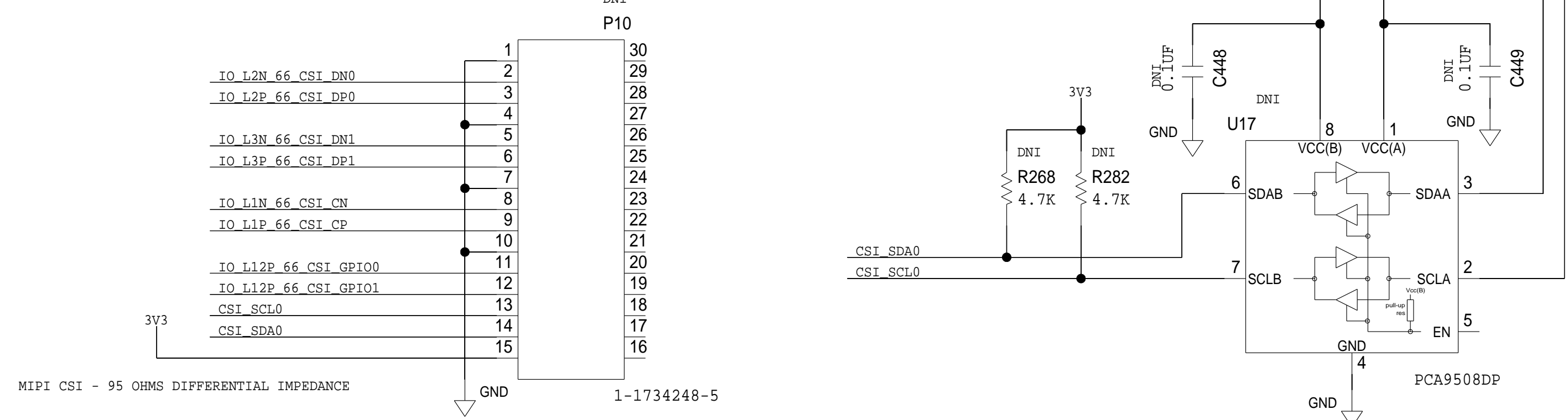
REVISIONS			
REV	DESCRIPTION	DATE	APPROVED

### PL BANK 65 1V8

### PL BANK 66 1V8

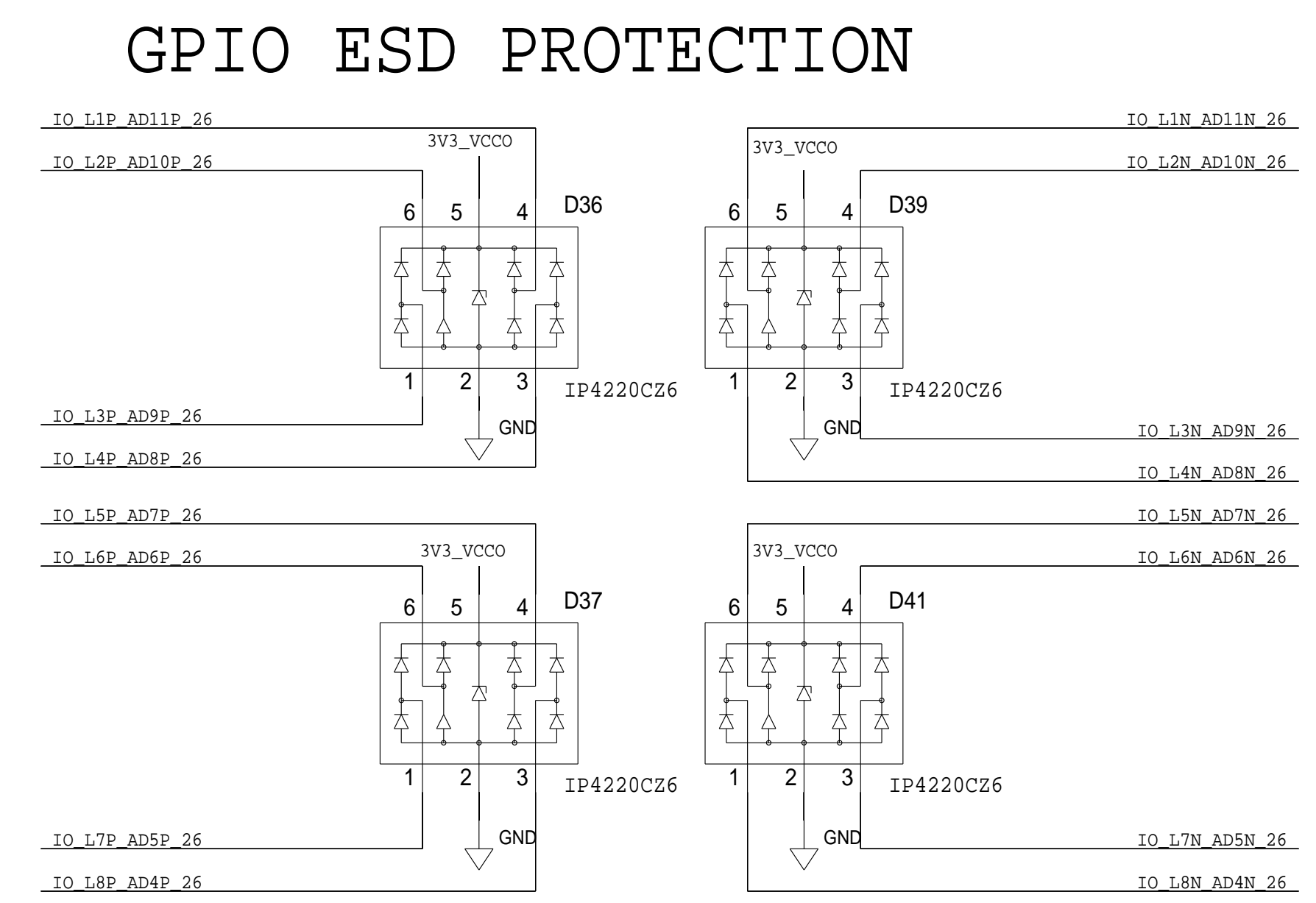
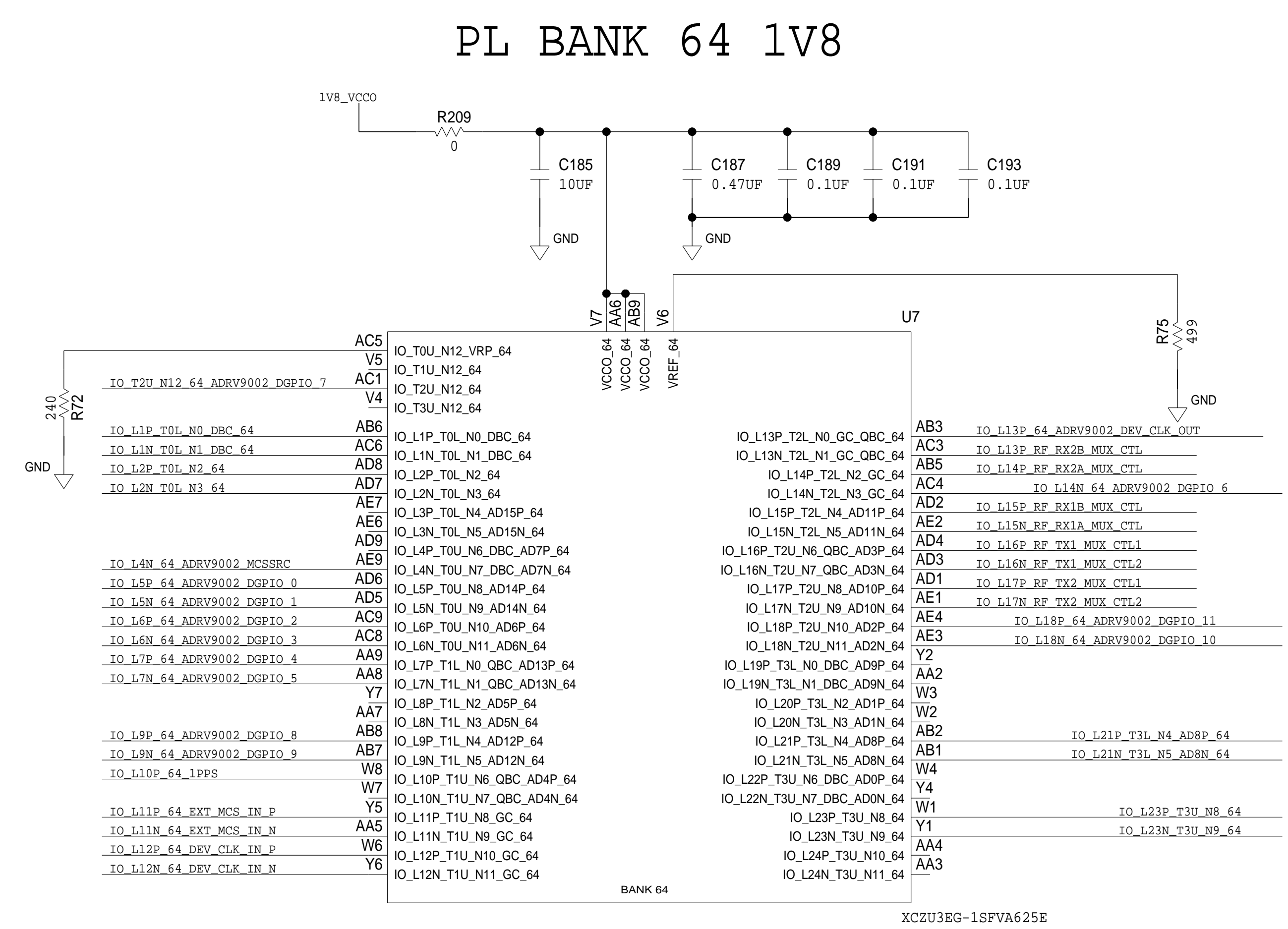
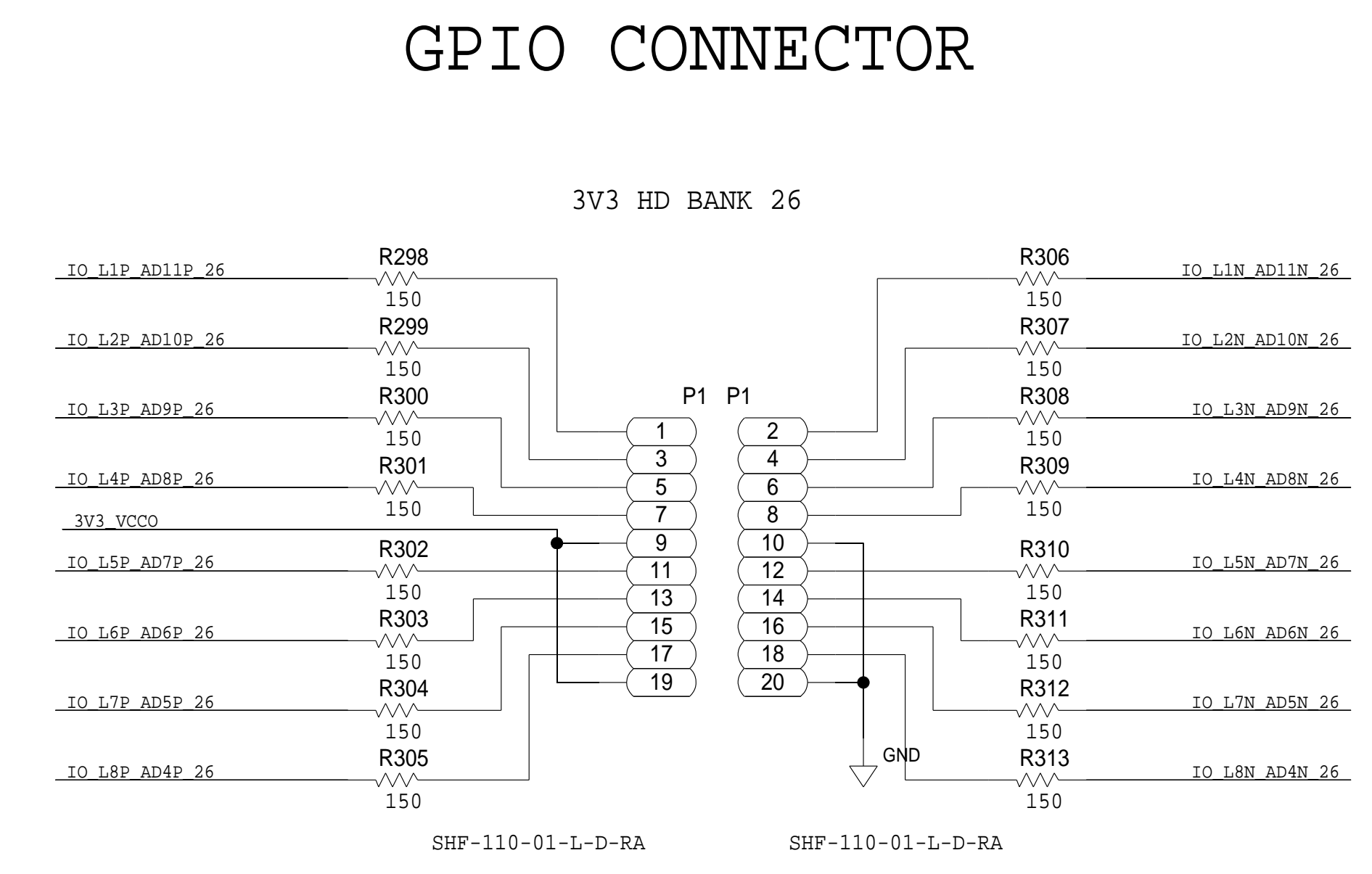
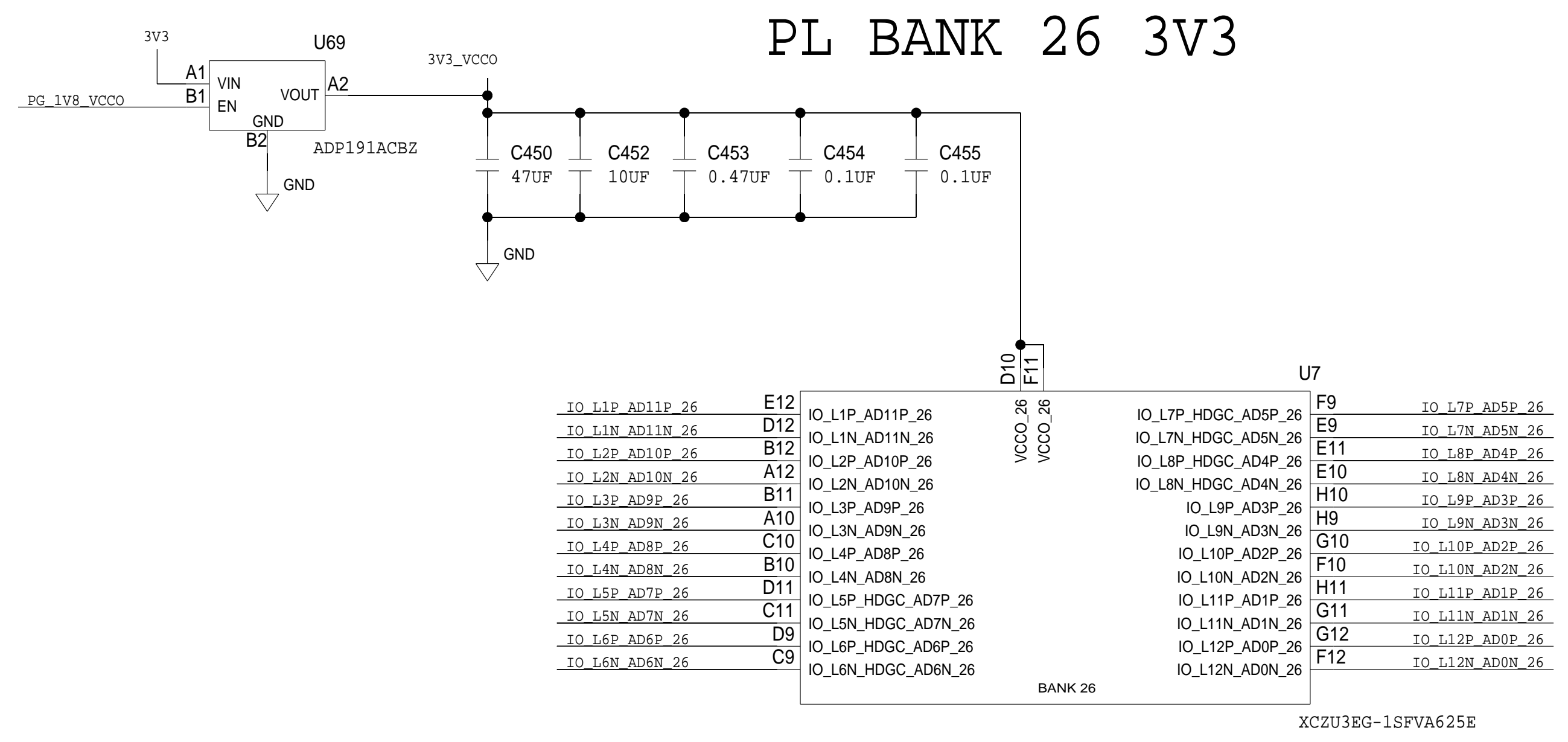


### MIPI CSI RECEIVER



	<b>SCHEMATIC</b>		
	HW TYPE : Customer Evaluation Z Product(s) : ADRV9002 : zynq ultrascale		
DESIGN VIEW <DESIGN_VIEW>	DRAWING NO. 02_048139	REV C	
PTD ENGINEER P. HURGOI	SIZE D	SCALE 1:1	SHEET 11 OF 23

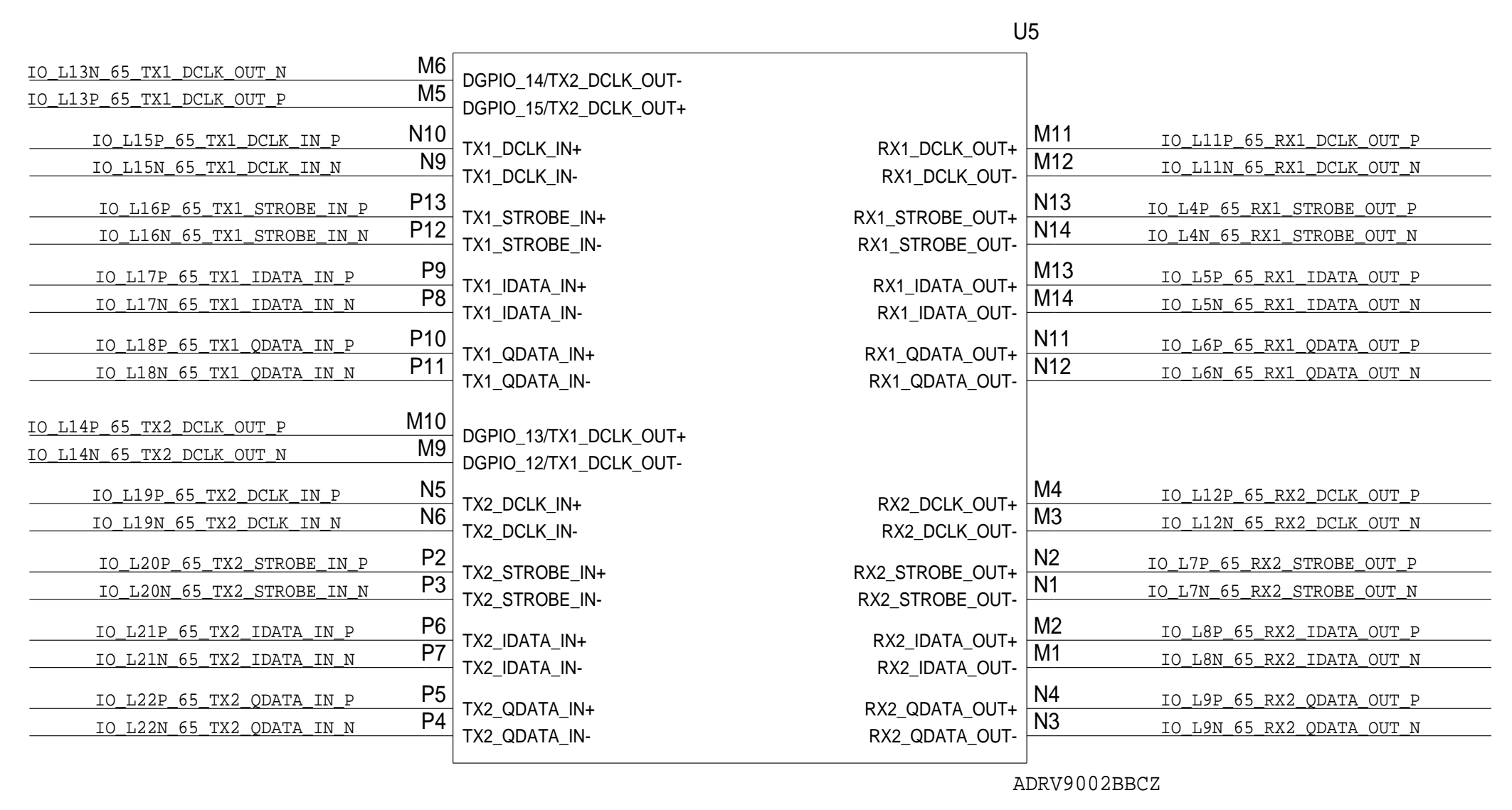
REVISIONS			
REV	DESCRIPTION	DATE	APPROVED



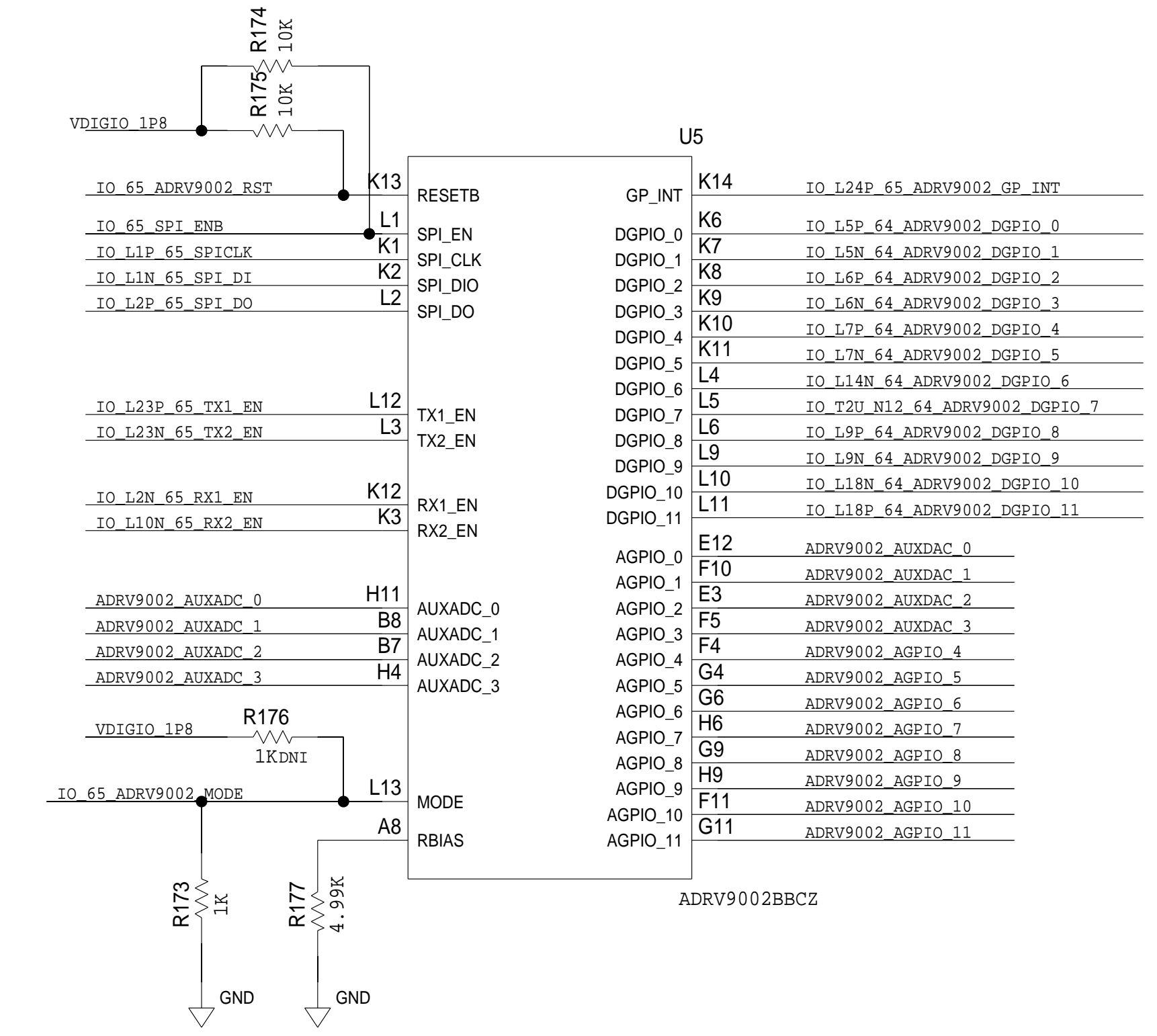
<p>THIS DRAWING IS THE PROPERTY OF ANALOG DEVICES INC. IT IS NOT TO BE REPRODUCED OR COPIED, IN WHOLE OR IN PART, OR USED IN FURNISHING INFORMATION TO OTHERS, OR FOR ANY OTHER PURPOSE DETRIMENTAL TO THE INTERESTS OF ANALOG DEVICES. THE EQUIPMENT SHOWN HEREIN MAY BE PROTECTED BY PATENTS OWNED OR CONTROLLED BY ANALOG DEVICES.</p>	<b>SCHEMATIC</b>		
	HW TYPE : Customer Evaluation Z Product(s): ADRV9002 : zynq ultrascale		
	DESIGN VIEW <DESIGN_VIEW>	DRAWING NO. 02_048139	REV C
	PTD ENGINEER P. HURGOI	SIZE D	SCALE 1:1
		SHEET 12 OF 23	

REVISIONS			
REV	DESCRIPTION	DATE	APPROVED

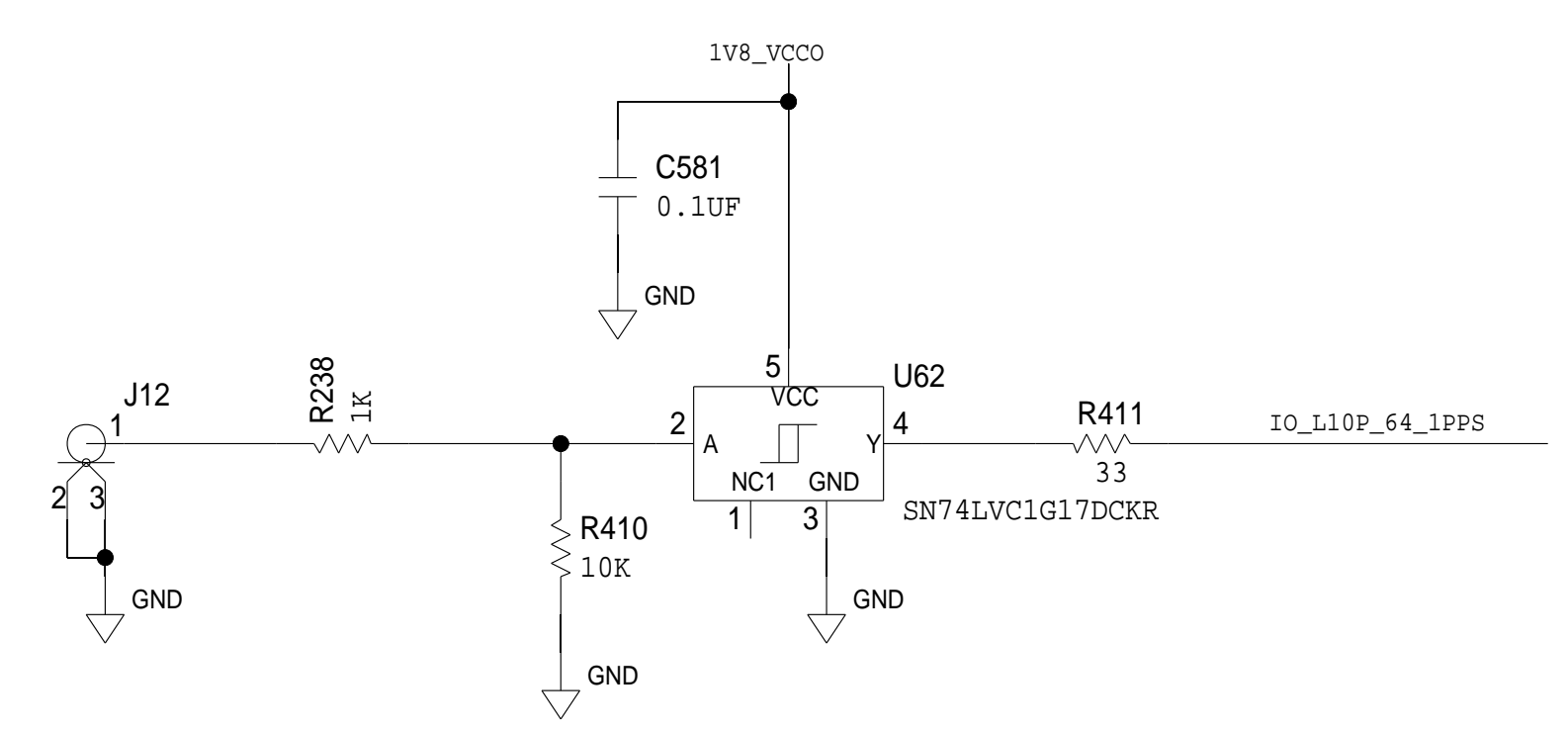
## ADRV9002 DATA INTERFACE



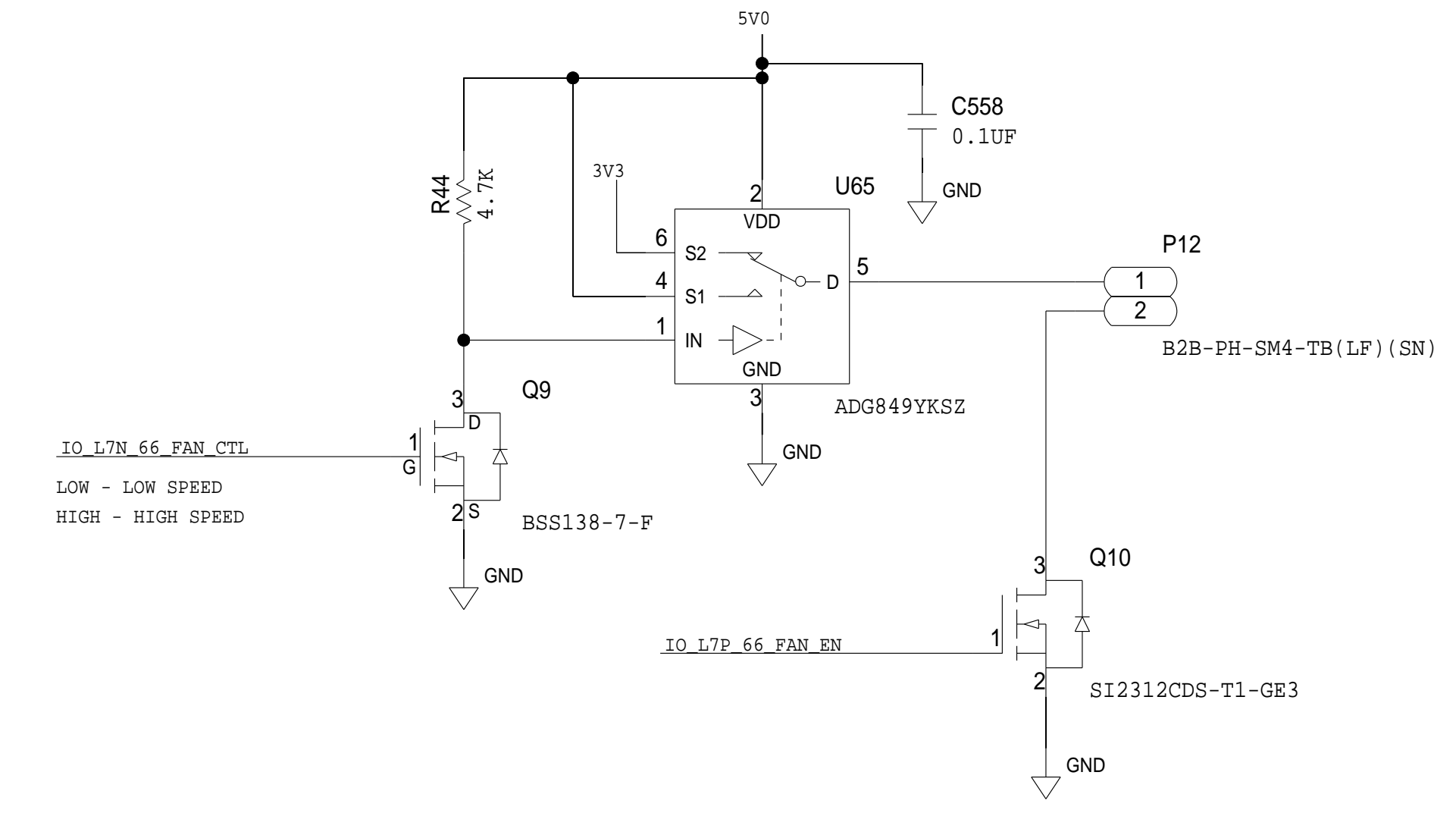
## ADRV9002 GPIO



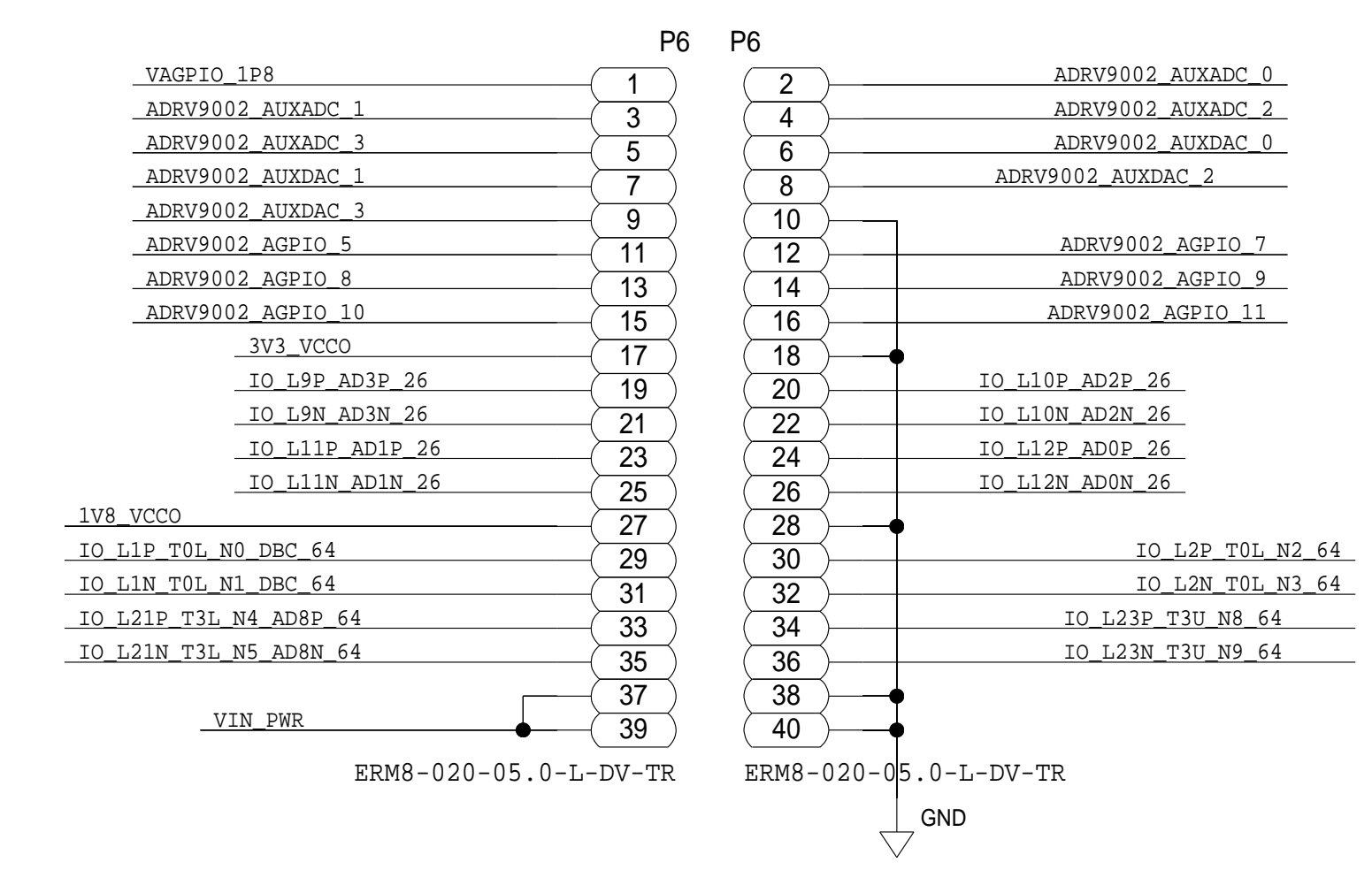
## 1PPS INPUT



## FAN CONTROL

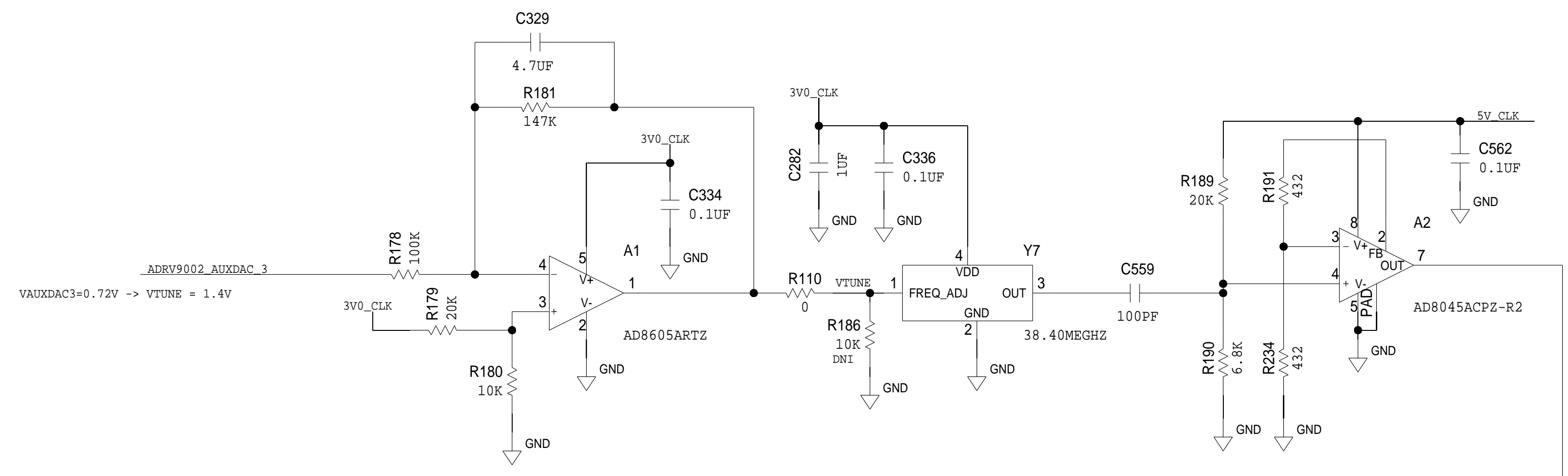


## ADD-ON BOARD CONNECTOR



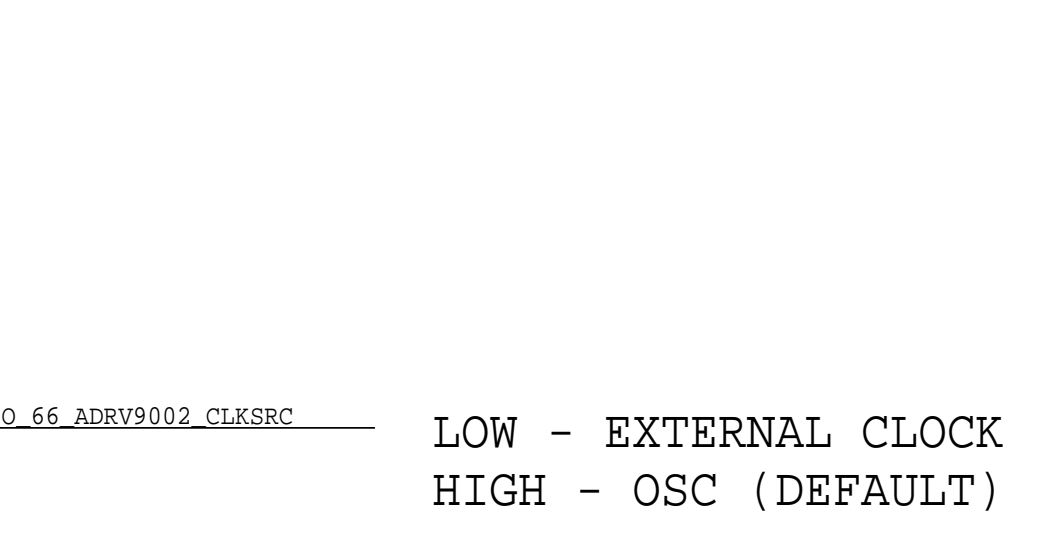
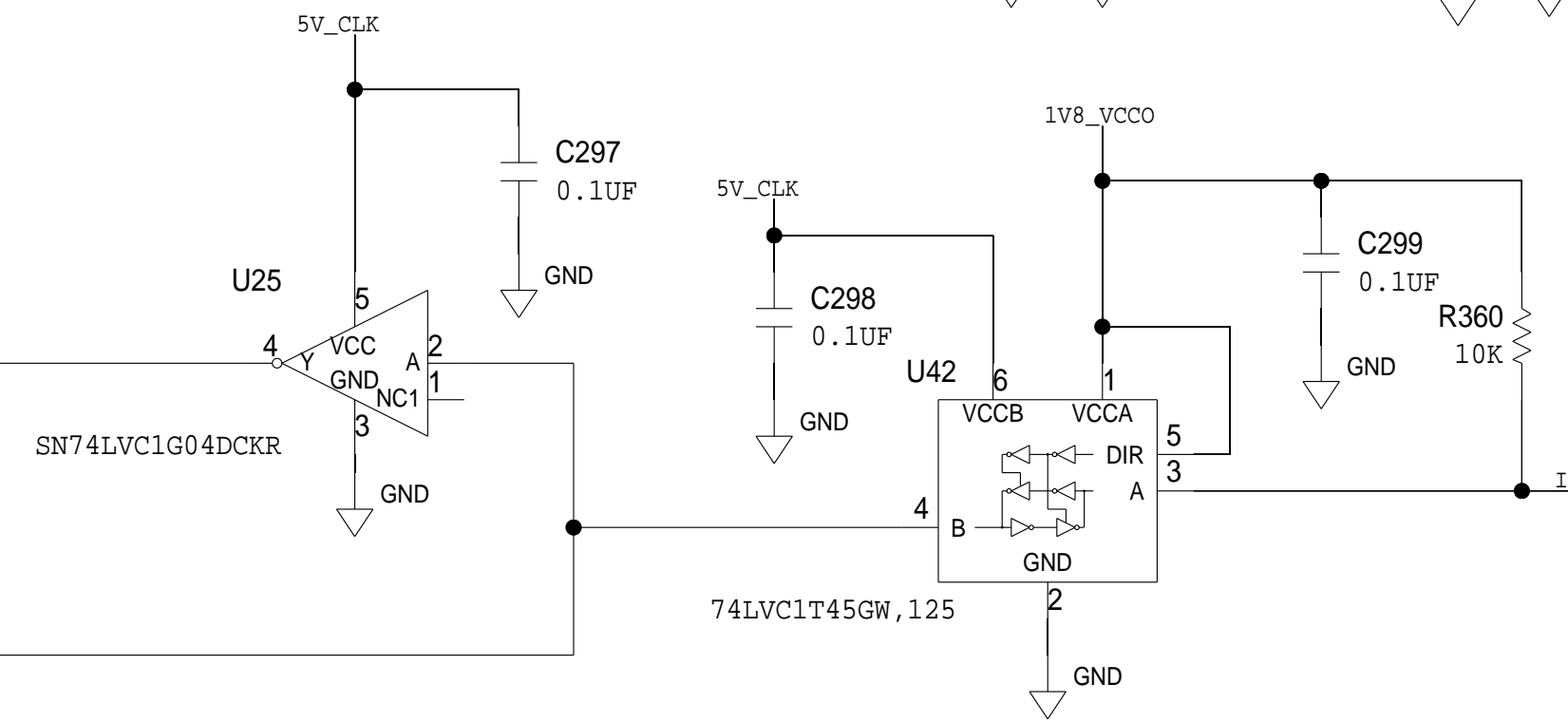
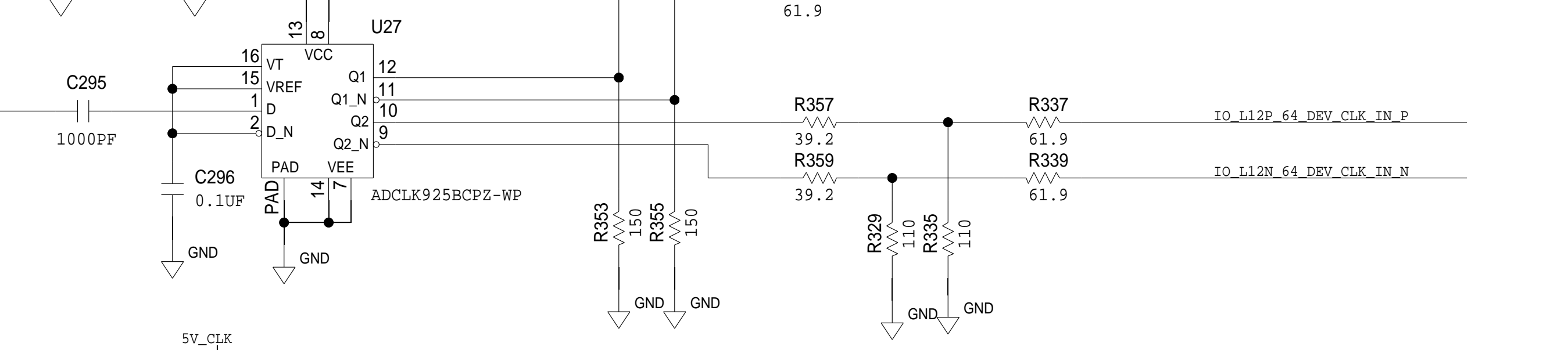
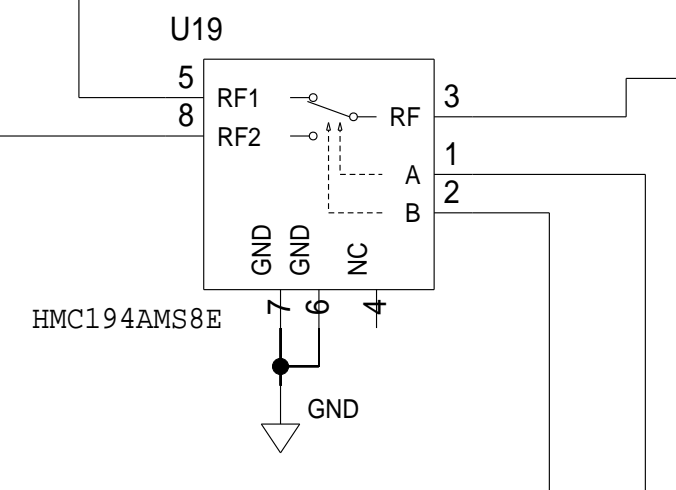
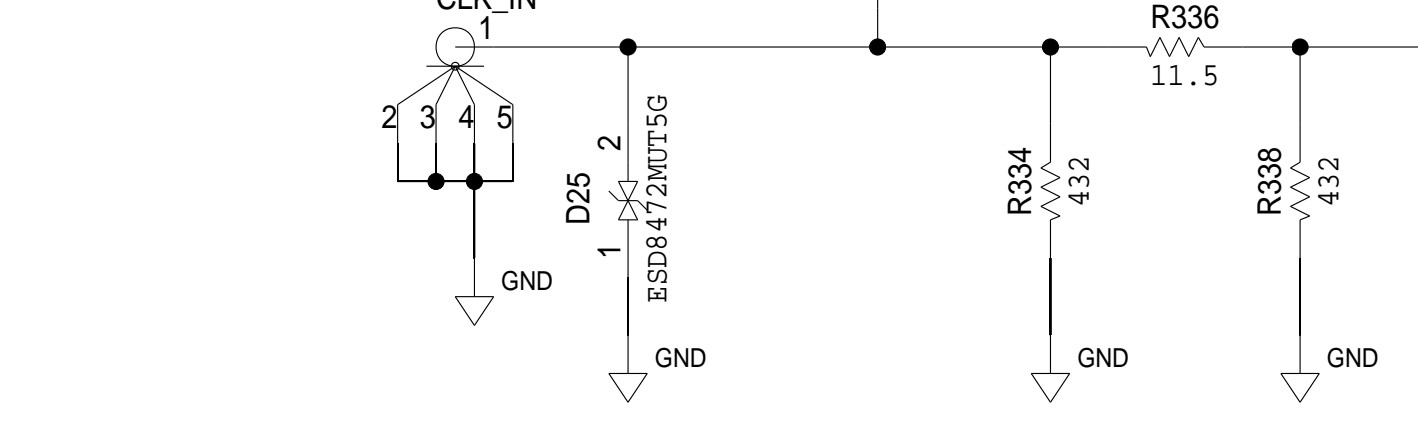
SCHEMATIC			
		HW TYPE : Customer Evaluation Z Product(s): ADRV9002 : zynq ultrascale	
DESIGN VIEW	<DESIGN_VIEW>	DRAWING NO.	02_048139
PTD ENGINEER	F. HURGOI	SCALE	1:1
		SHEET	13 OF 23
		REV	C

REVISIONS			
REV	DESCRIPTION	DATE	APPROVED



### CLOCK DISTRIBUTION

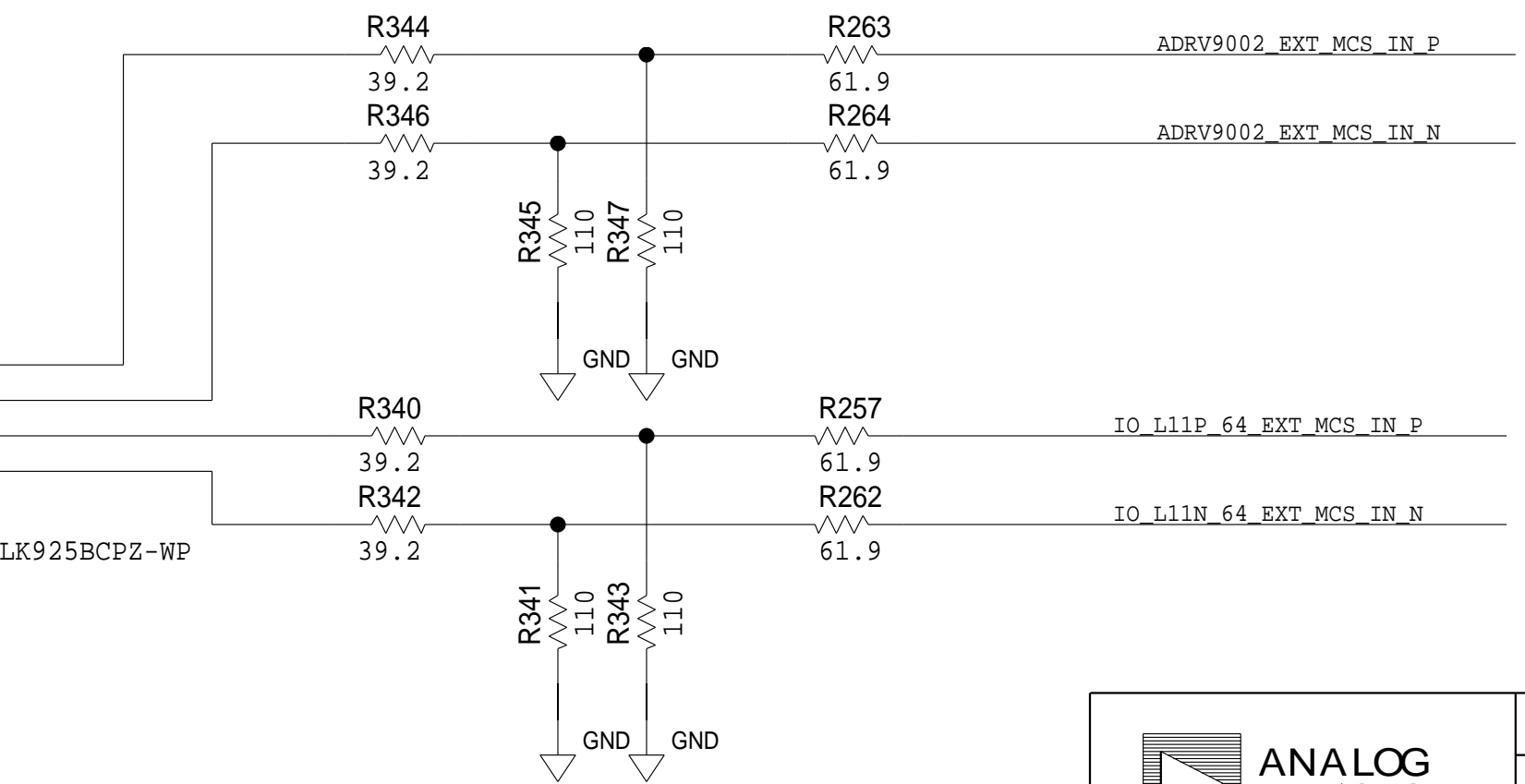
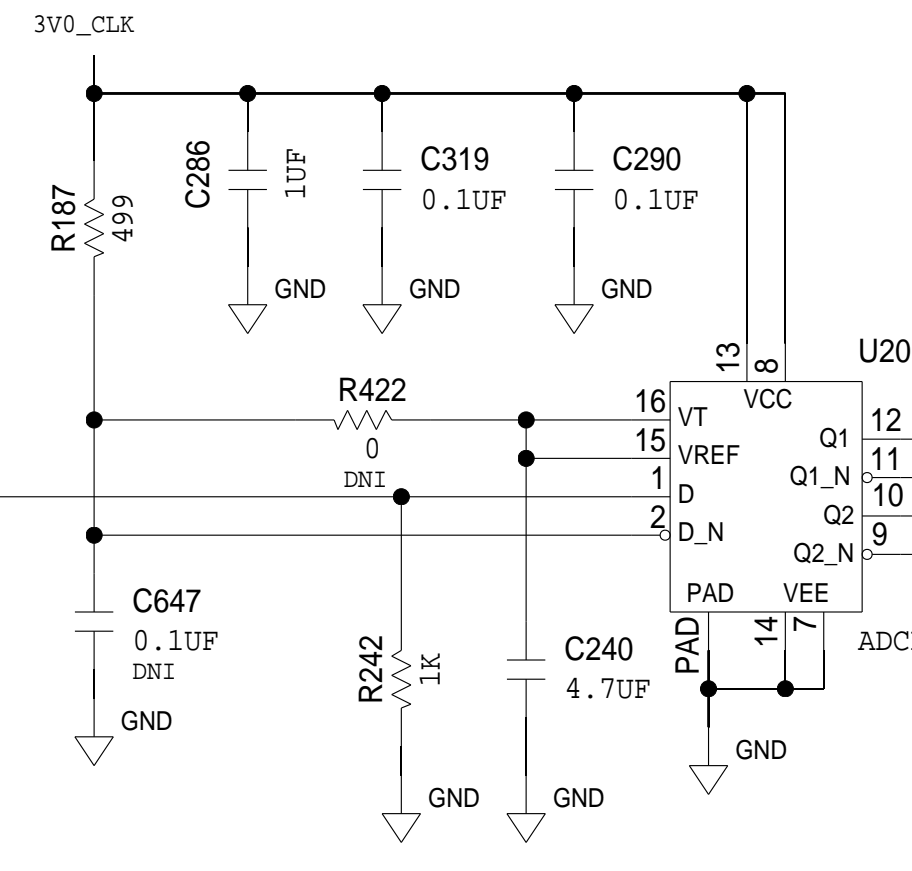
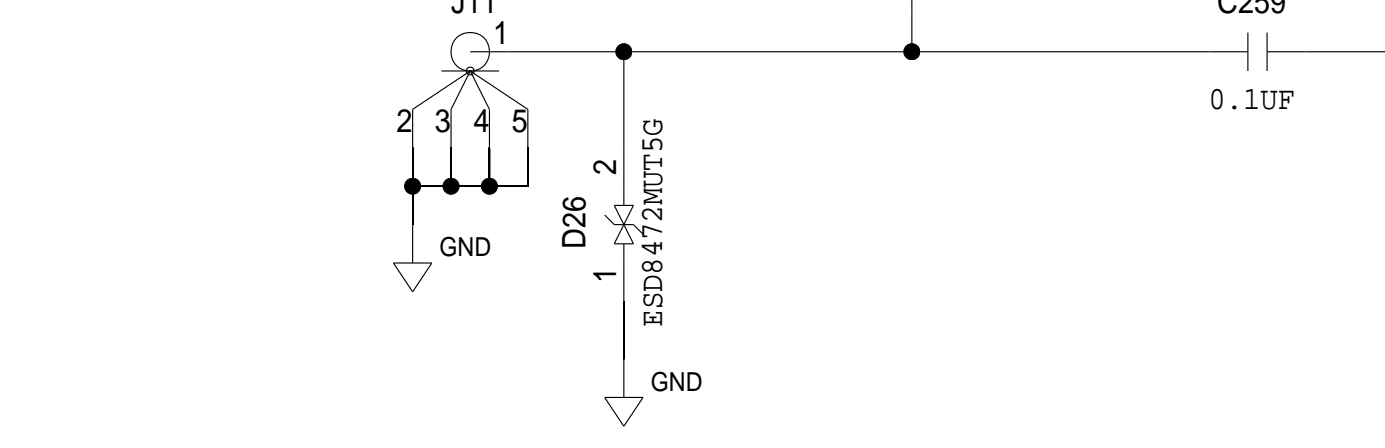
-8DBM TO 15.8 DBM



LOW - EXTERNAL CLOCK  
HIGH - OSC (DEFAULT)

### MCS DISTRIBUTION

-4DBM TO 13.8 DBM

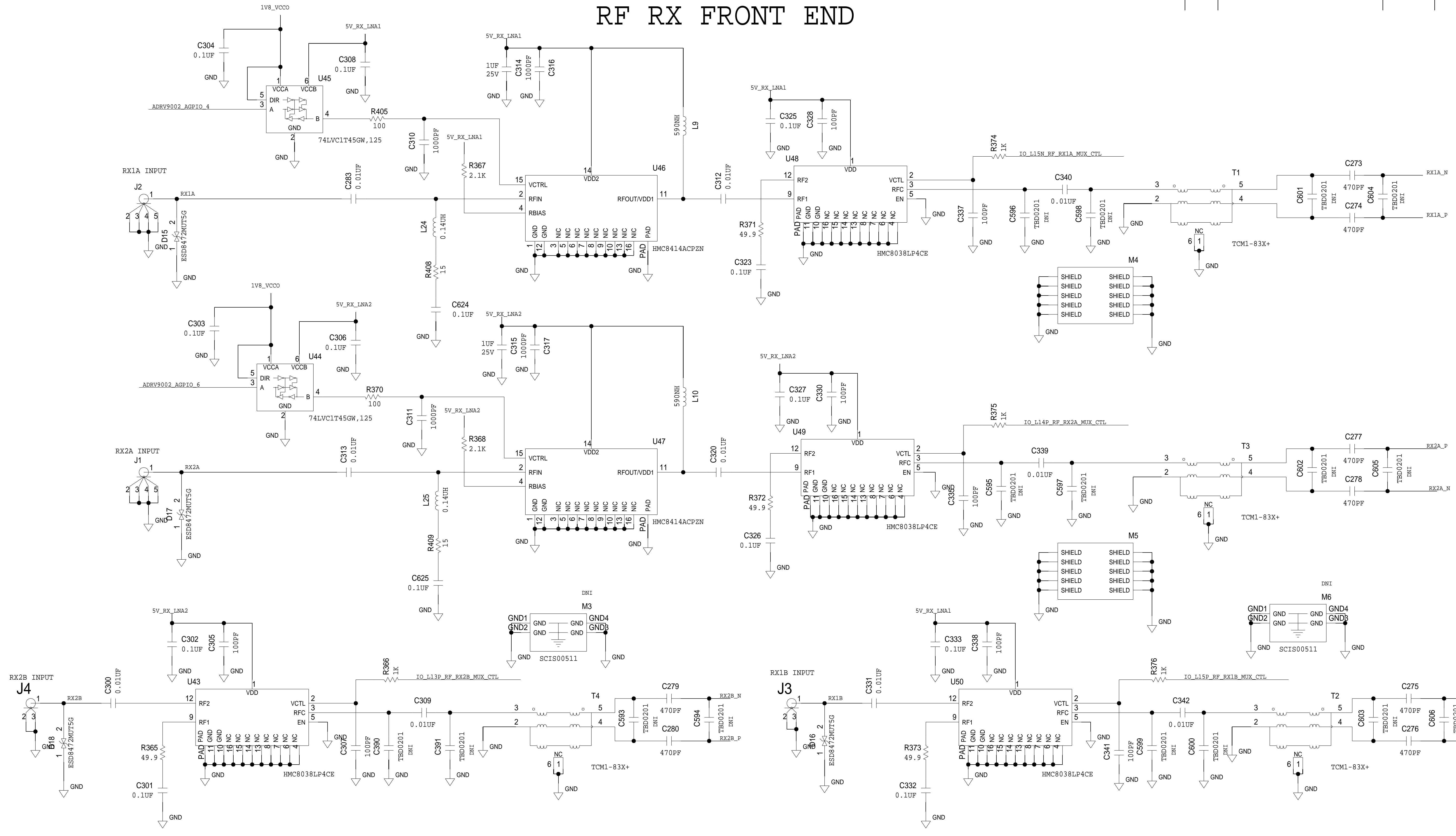


	<b>SCHEMATIC</b>		
	HW TYPE : Customer Evaluation Z Product(s): ADRV9002 : zynq ultrascale		
	DESIGN VIEW <DESIGN_VIEW>	DRAWING NO. 02_048139	REV C
	PTD ENGINEER P. HURGOI	SIZE D	SCALE 1:1



# RF RX FRONT END

REVISIONS			
REV	DESCRIPTION	DATE	APPROVED

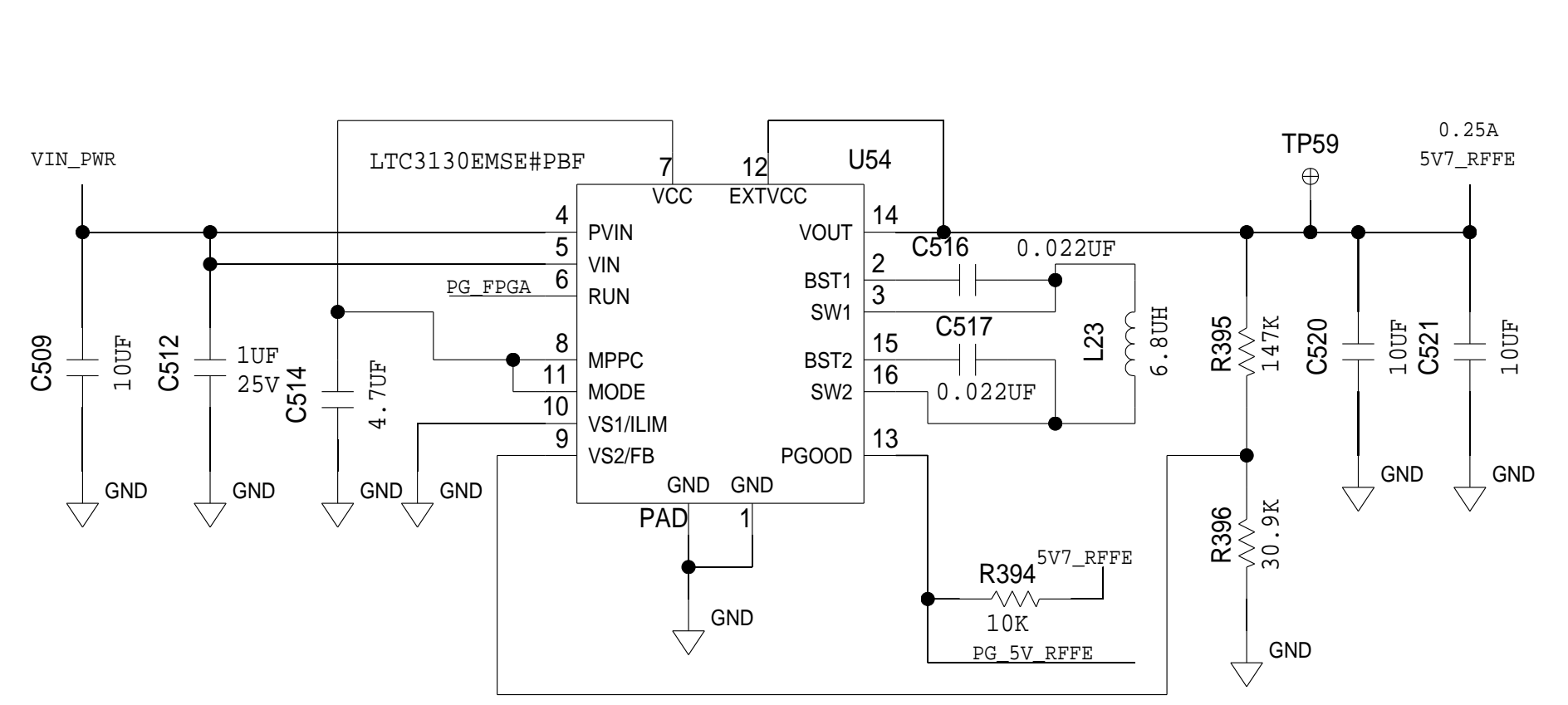


	<b>SCHEMATIC</b>		
	HW TYPE : Customer Evaluation Z Product(s) : ADRV9002 : zynq ultrascale		
DESIGN VIEW <DESIGN_VIEW>	DRAWING NO. 02_048139	REV C	
PTD ENGINEER F. HURGOI	SIZE D	SCALE 1:1	SHEET 15 OF 23

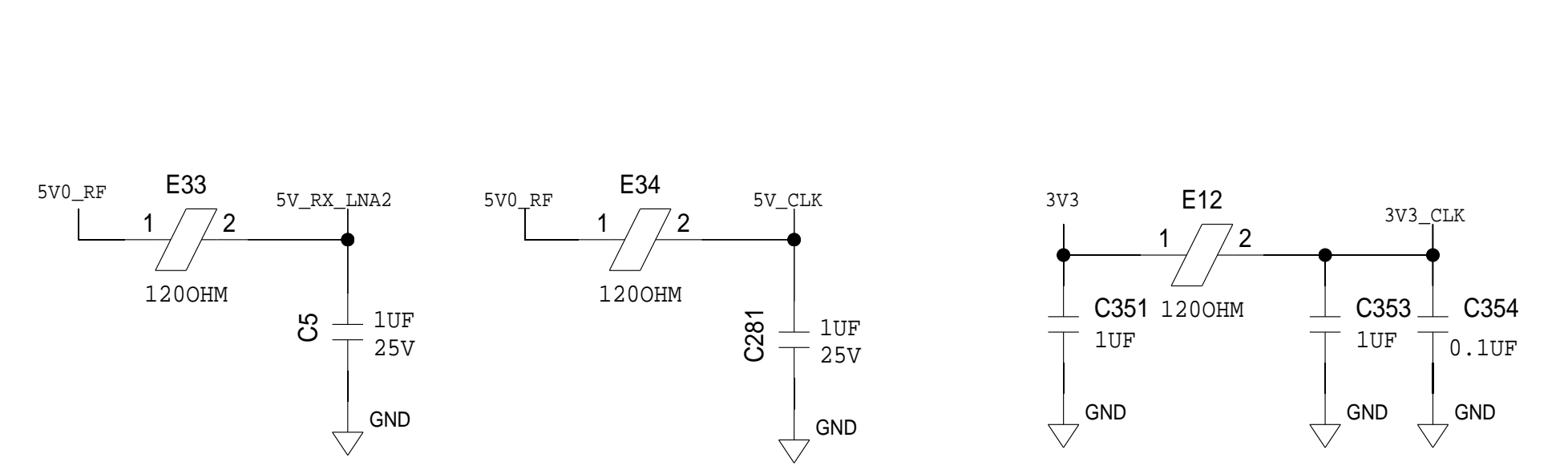


REVISIONS			
REV	DESCRIPTION	DATE	APPROVED

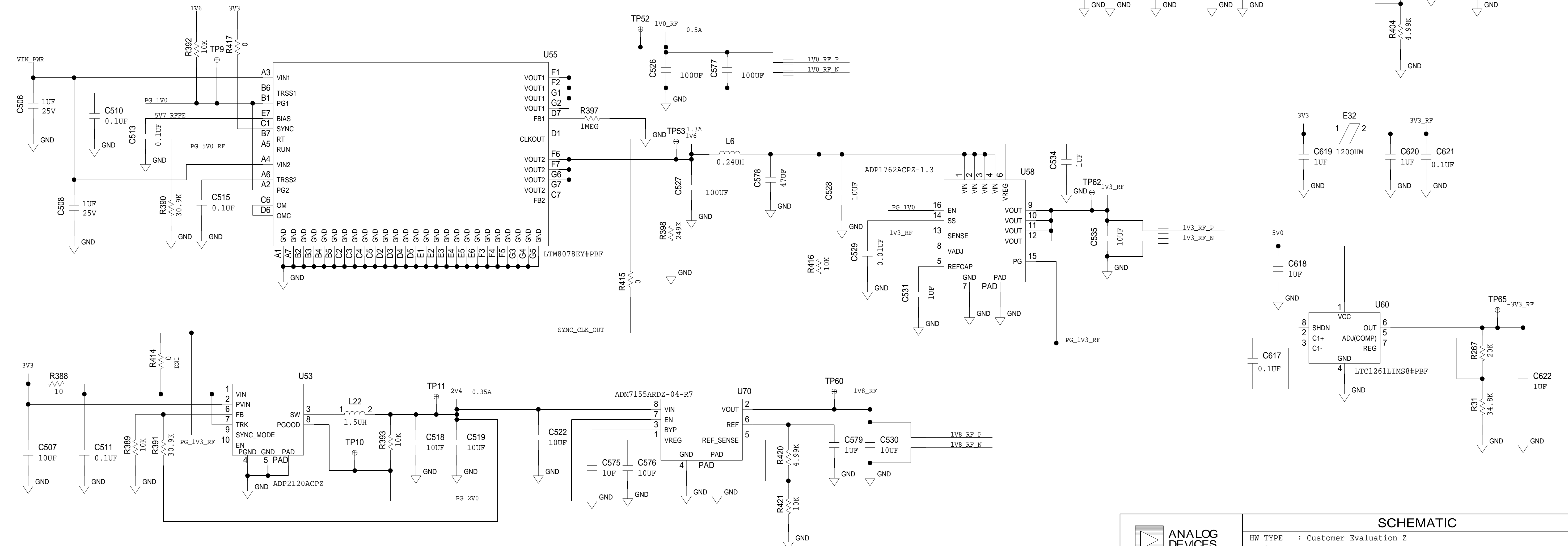
### RF FE POWER SUPPLY



### ADRV9002 CLOCK POWER SUPPLY



### ADRV9002 POWER SUPPLY

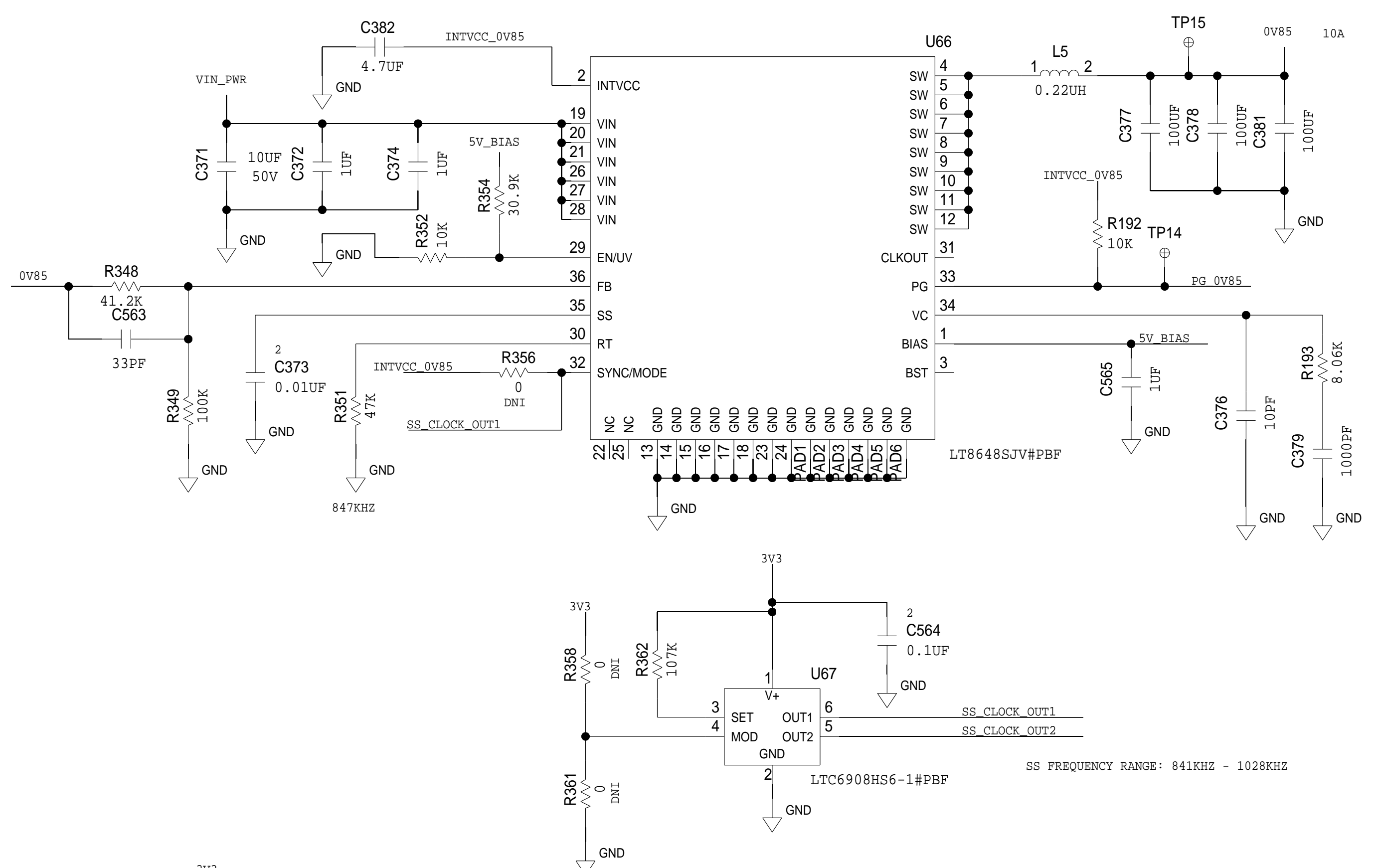


	<b>SCHEMATIC</b>		
	HW TYPE : Customer Evaluation Z Product(s): ADRV9002 : zynq ultrascale		
DESIGN VIEW <DESIGN_VIEW>	DRAWING NO. 02_048139	REV C	
PTD ENGINEER P. HURGOI	SIZE D	SCALE 1:1	
		SHEET 17 OF 23	

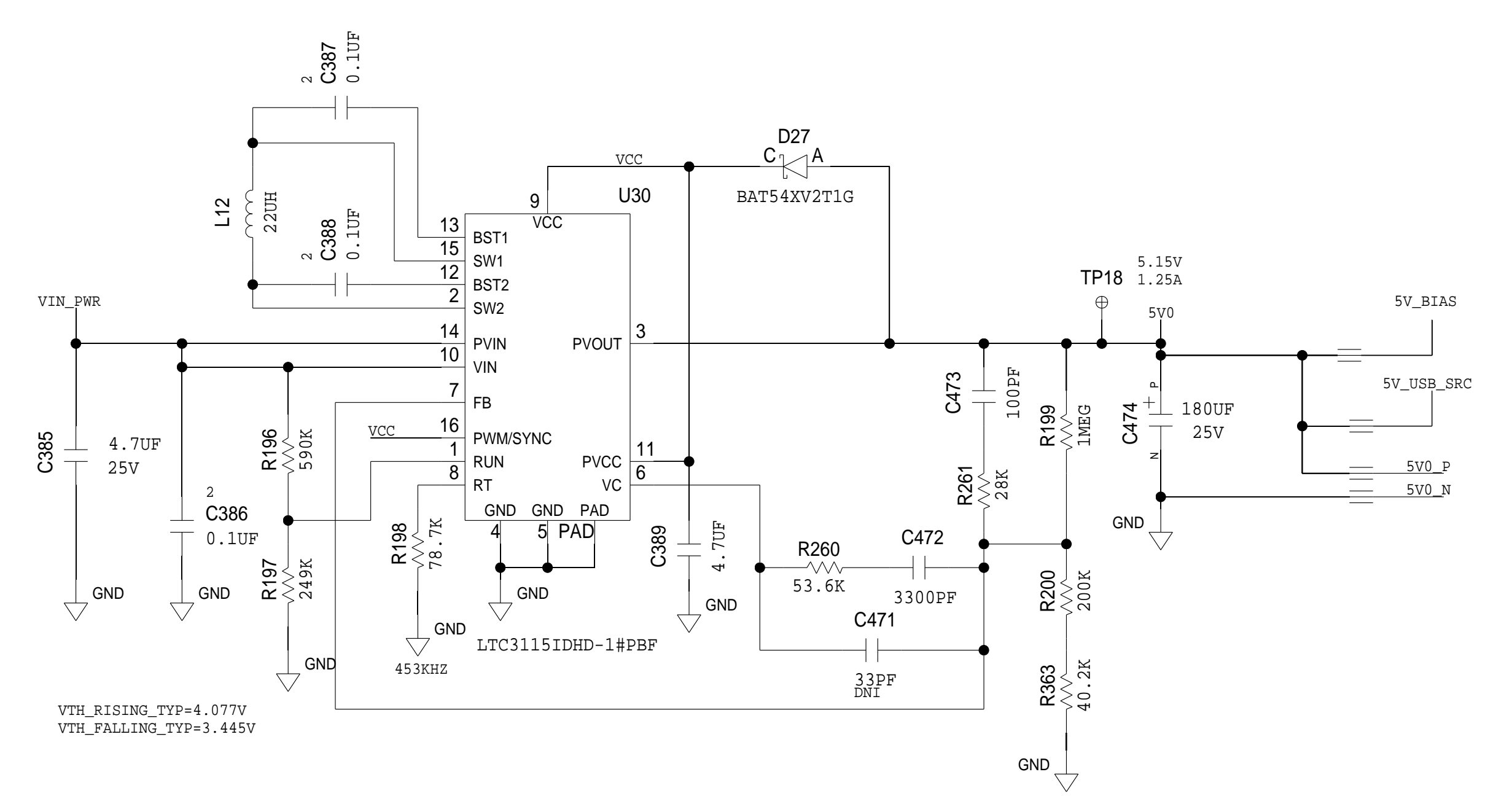


REVISIONS			
REV	DESCRIPTION	DATE	APPROVED

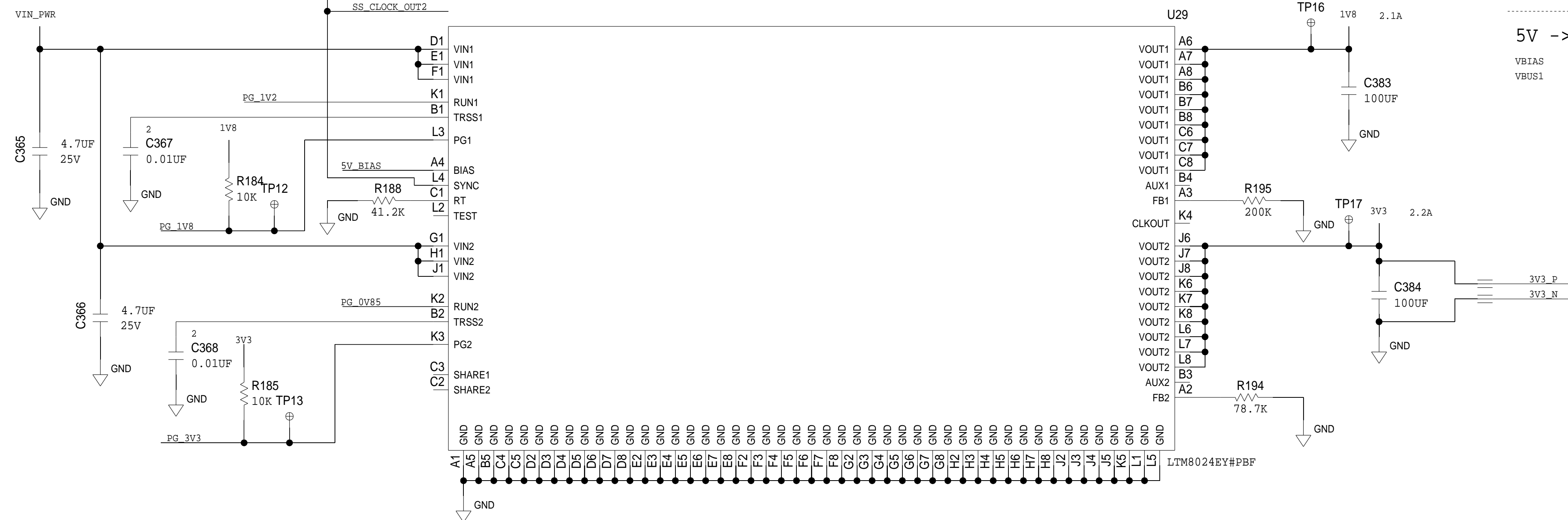
### 0V85 PL & PS



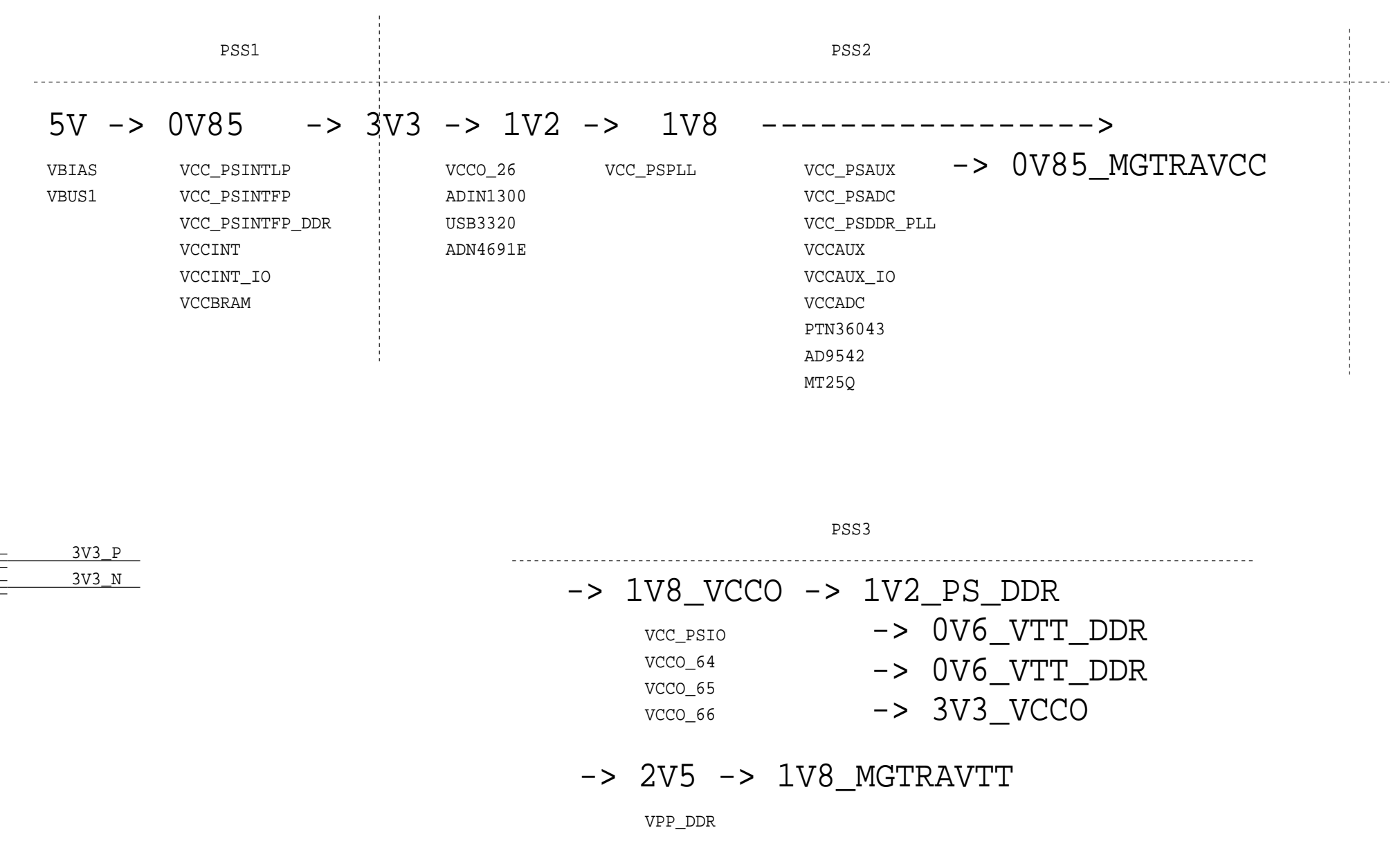
### 5V VBUS SOURCE, 5V\_BIAS



### 1V8 VCCAUX, 3V3



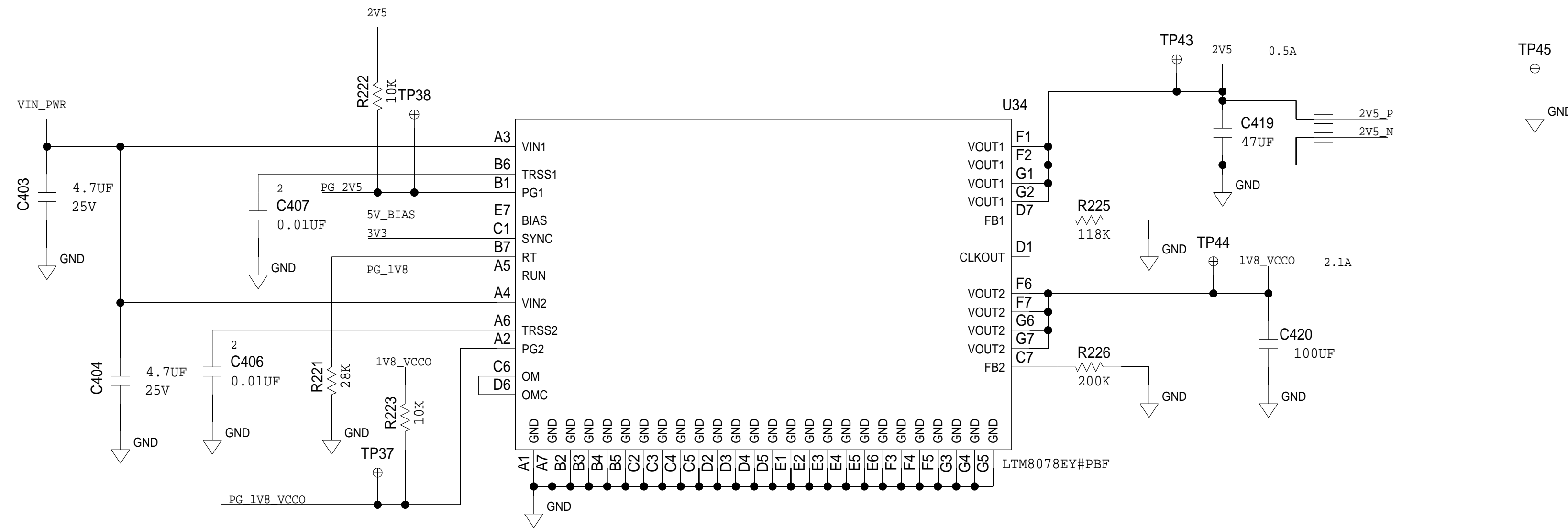
### POWER SEQUENCING



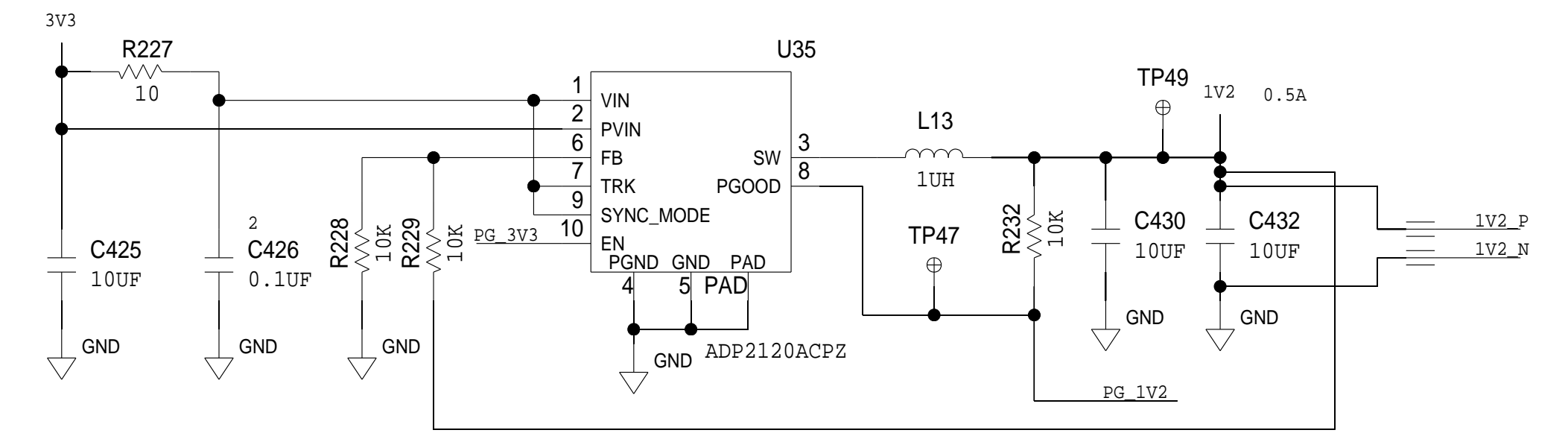
ANALOG DEVICES		SCHEMATIC		
HW TYPE : Customer Evaluation Z Product(s): ADRV9002 : zynq ultrascale		DRAWING NO. 02_048139	REV C	
DESIGN VIEW <DESIGN_VIEW>	PTD ENGINEER P. HURGOI	SIZE D	SCALE 1:1	SHEET 19 OF 23

REVISIONS			
REV	DESCRIPTION	DATE	APPROVED

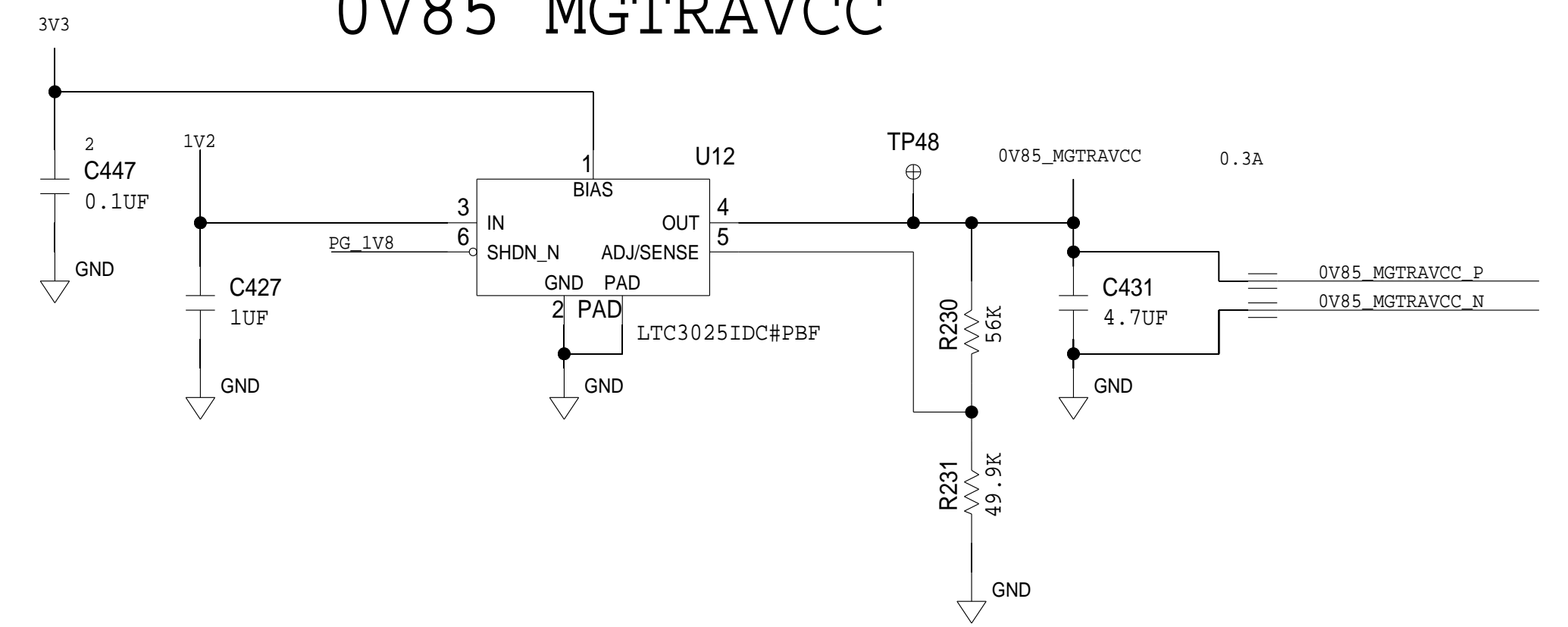
### 2V5 VPP\_DDR, 1V8 VCCO



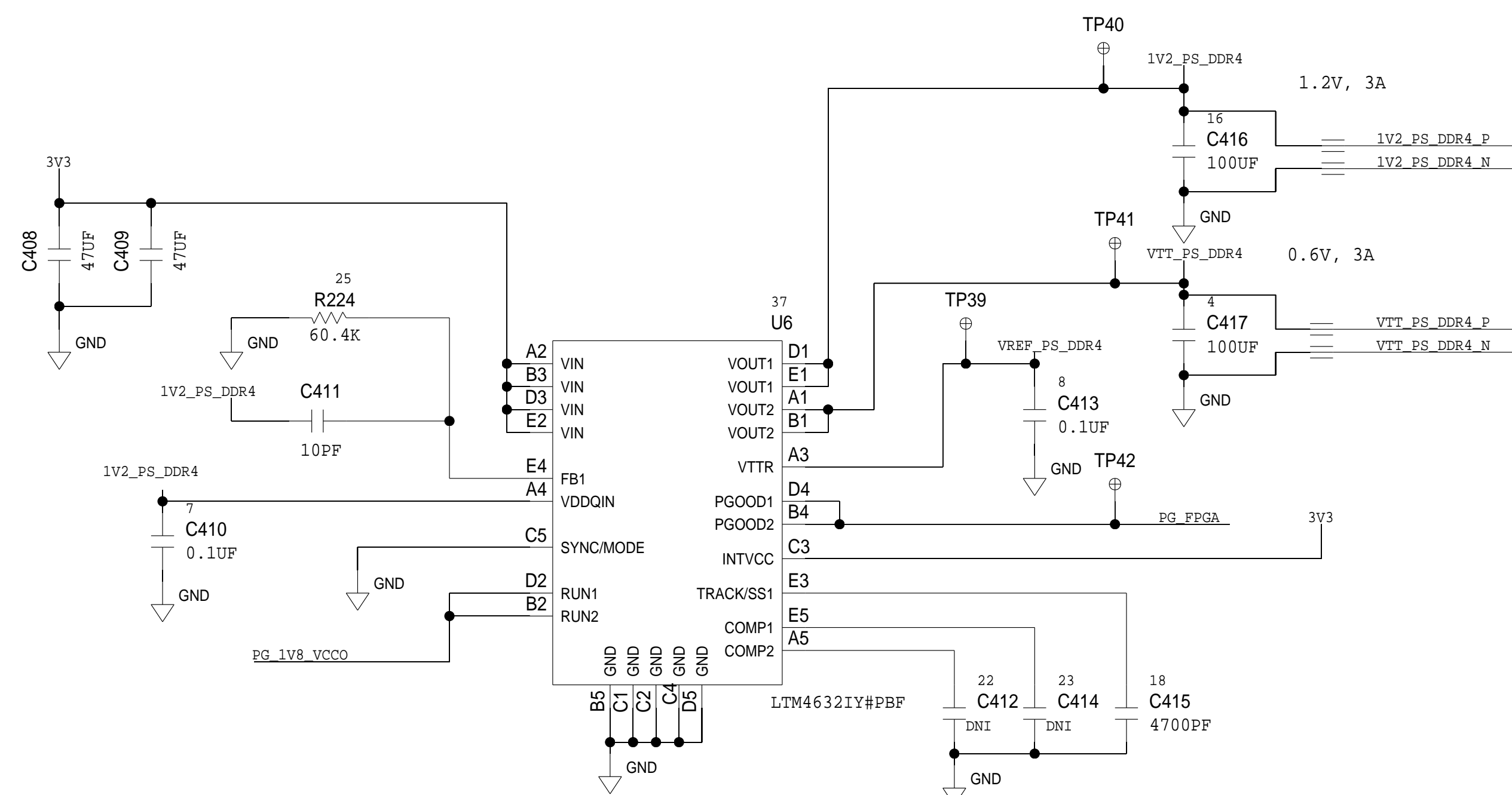
### 1V2 PSPLL



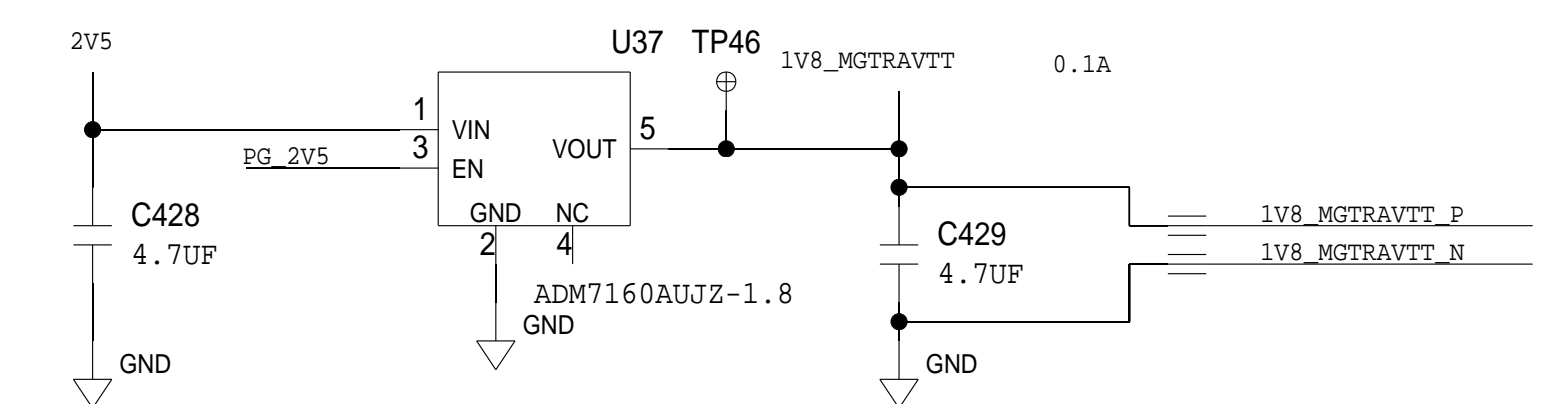
### 0V85 MGTRAVCC



### 1V2 VDDQ\_DDR, 0V6 VTT\_DDR



### 1V8 MGTRAVTT

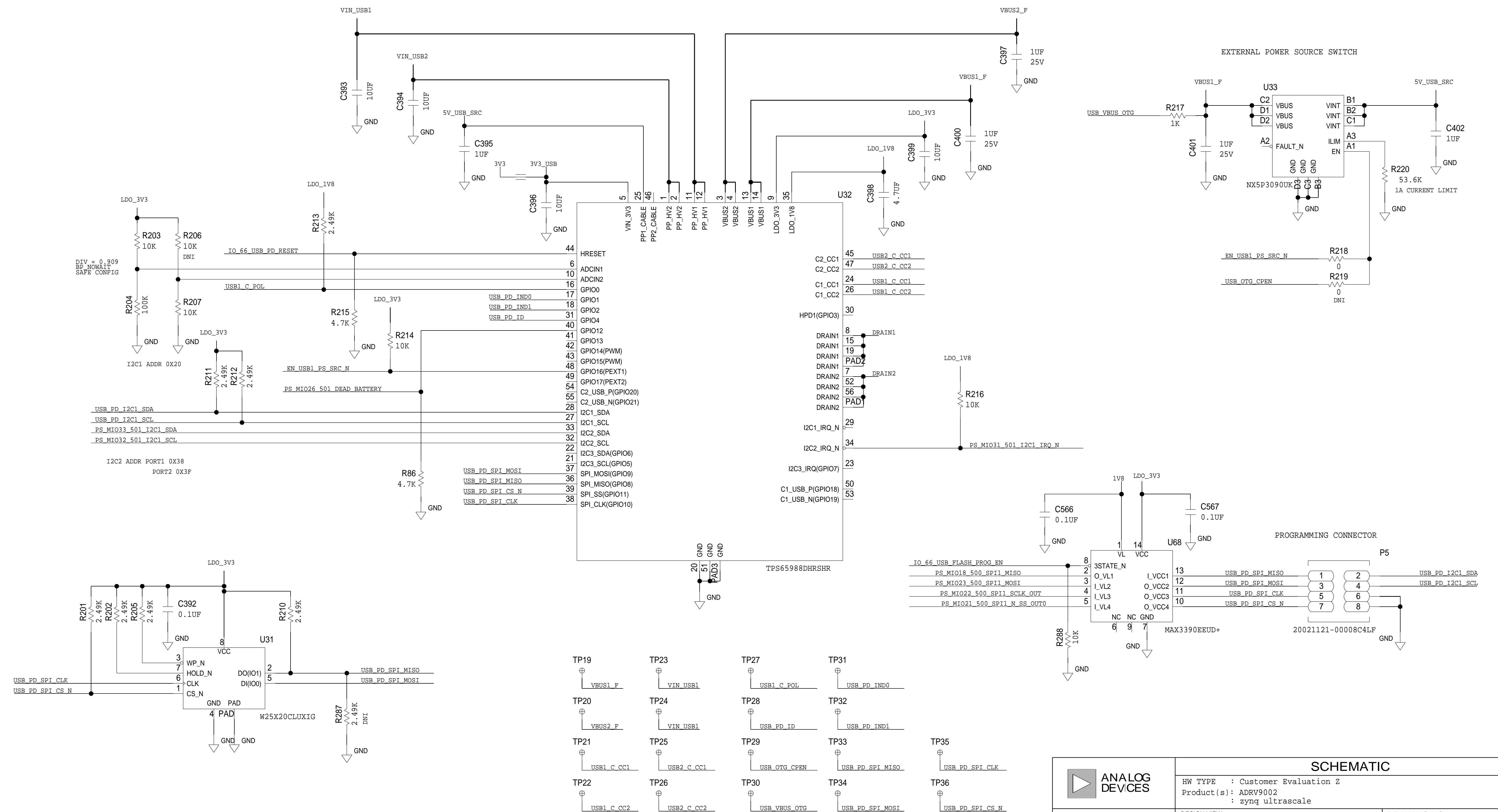


ANALOG DEVICES		SCHEMATIC		
<small>THIS DRAWING IS THE PROPERTY OF ANALOG DEVICES INC. IT IS NOT TO BE REPRODUCED OR COPIED, IN WHOLE OR IN PART, OR USED IN FURNISHING INFORMATION TO OTHERS, OR FOR ANY OTHER PURPOSE DETRIMENTAL TO THE INTERESTS OF ANALOG DEVICES. THE EQUIPMENT SHOWN HEREON MAY BE PROTECTED BY PATENTS OWNED OR CONTROLLED BY ANALOG DEVICES.</small>		HW TYPE : Customer Evaluation Z Product(s): ADRV9002 : zynq ultrascale		
		DESIGN VIEW <DESIGN_VIEW>	DRAWING NO. 02_048139	REV C
PTD ENGINEER P. HURGOI	SIZE D	SCALE 1:1	SHEET 20 OF 23	



REVISIONS			
REV	DESCRIPTION	DATE	APPROVED

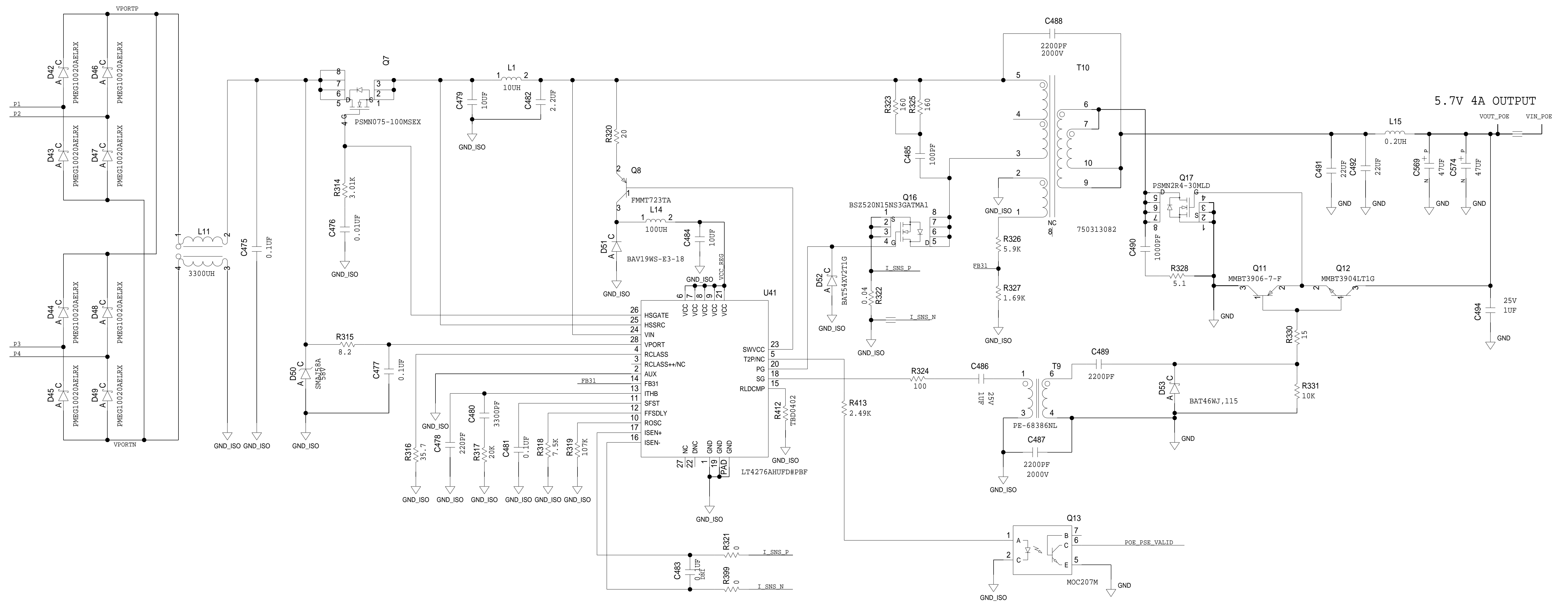
# USB PD CONTROLLER



	<b>SCHEMATIC</b>		
	HW TYPE : Customer Evaluation Z Product(s) : ADRV9002 : zynq ultrascale		
DESIGN VIEW <DESIGN_VIEW>	DRAWING NO. 02_048139	REV C	
PTD ENGINEER F. HURGOI	SIZE D	SCALE 1:1	SHEET 21 OF 23

REVISIONS			
REV	DESCRIPTION	DATE	APPROVED

# POE - 23W FLYBACK POWER SUPPLY

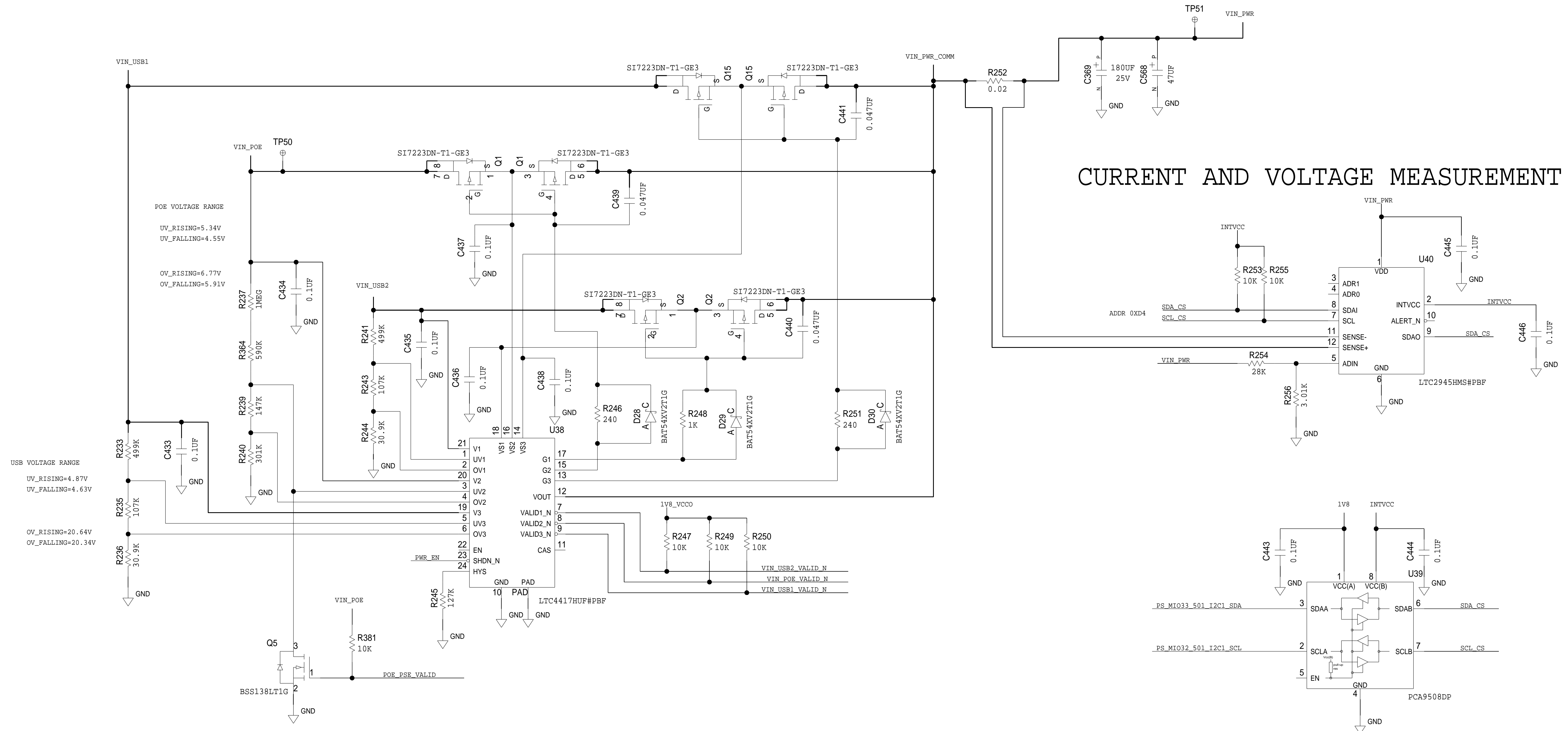


	<b>SCHEMATIC</b>		
	HW TYPE : Customer Evaluation Z Product(s) : ADRV9002 : zynq ultrascale		
DESIGN VIEW <DESIGN_VIEW>	DRAWING NO. 02_048139	REV C	
PTD ENGINEER F. HURGOI	SIZE D	SCALE 1:1	SHEET 22 OF 23

REVISIONS			
REV	DESCRIPTION	DATE	APPROVED

# POWER SOURCE SELECTOR

# CURRENT AND VOLTAGE MEASUREMENT



	<b>SCHEMATIC</b>		
	HW TYPE : Customer Evaluation Z Product(s): ADRV9002 : zynq ultrascale		
DESIGN VIEW <DESIGN_VIEW>	DRAWING NO. 02_048139	REV C	
PTD ENGINEER F. HURGOI	SIZE D	SCALE 1:1	SHEET 23 OF 23