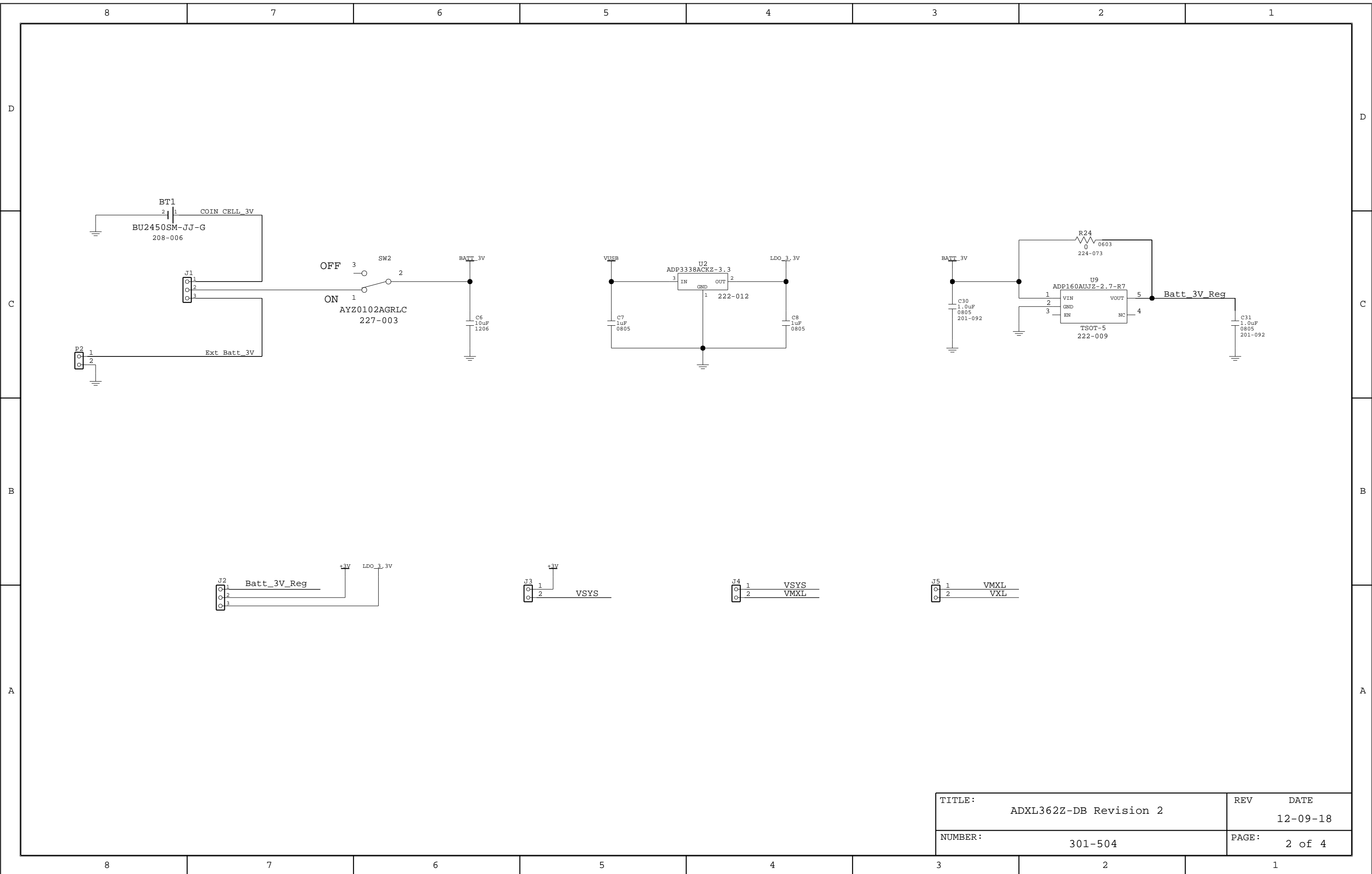


U1
R5F100LJAFB
TQFP-64
209-151

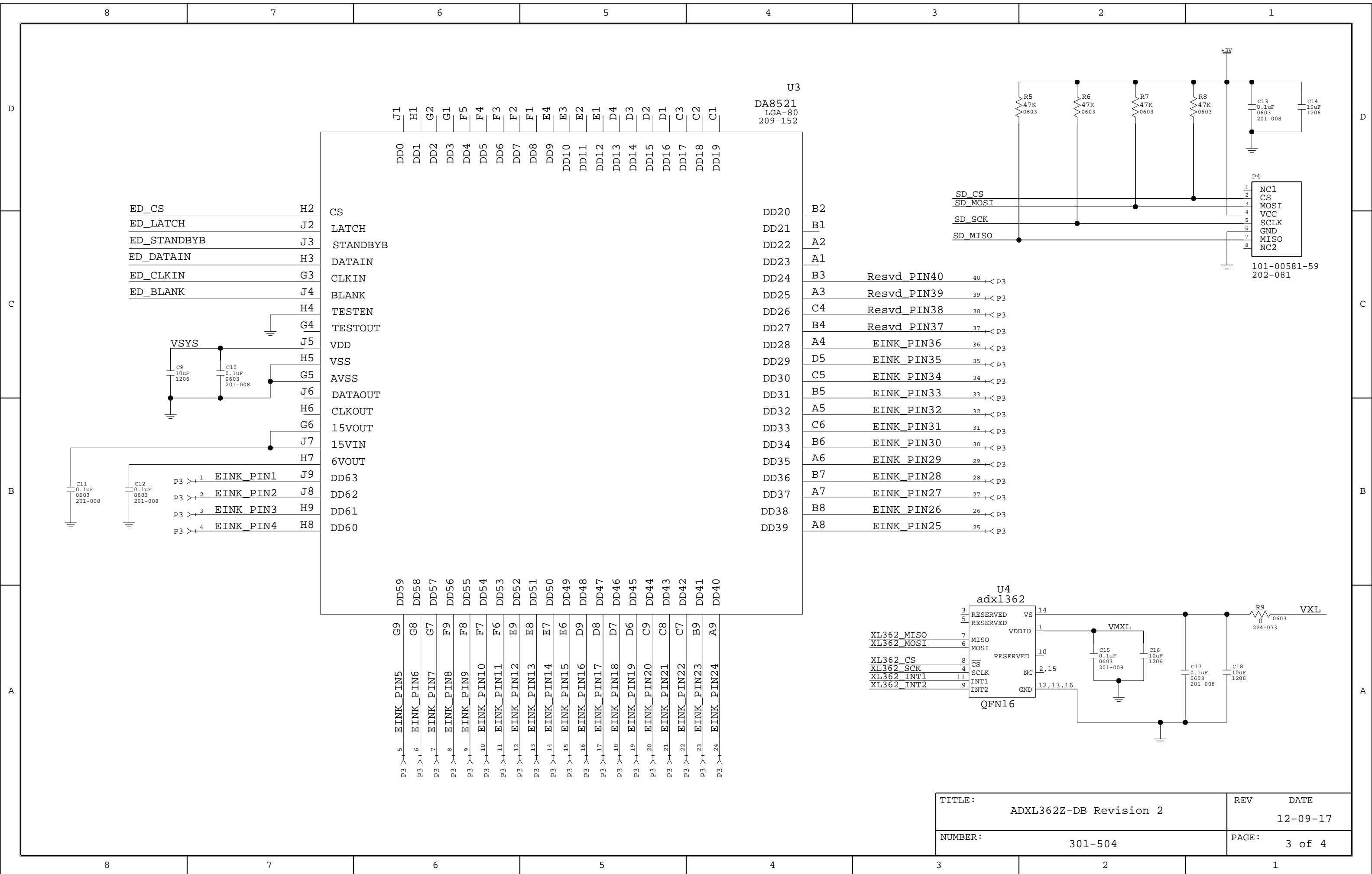
1	P120/ANI19	P140/PCLBUZ0/INTP6	64	XL362_CS
2	P43	P141/PCLBUZ1/INTP7	63	XL362_MOSI
3	P42/TI04/TO04	P00/TI00	62	XL362_MISO
4	P41/TI07/TO07	P01/TO00	61	XL362_SCK
5	P40/TOOL0	P02/ANI17/SO10/TxD1	60	
6	/RESET	P03/ANI16/SI10/RxD1/SDA10	59	
7	P124/XT2/EXCLKS	P04/SCK10/SCL10	58	
8	P123/XT1	P130	57	
9	P137/INTP0	P20/ANIO/AVREFP	56	
10	P122/X2/EXCLK	P21/ANI1/AVREFM	55	
11	P121/X1	P22/ANI2	54	
12	REGC	P23/ANI3	53	
13	VSS	P24/ANI4	52	
14	EVSS	P25/ANI5	51	
15	VDD	P26/ANI6	50	
16	EVDD	P27/ANI7	49	MCU_AIN
17	P60/SCLA0	P147/ANI18	48	
18	P61/SDAA0	P146	47	SD_CS
19	P62	P10/SCK00/SCL00	46	SD_SCK
20	P63	P11/SI00/RxD0/TOOLRxD/SDA00	45	SD_MISO
21	ED_STANDBYB	P12/SO00/TxD0/TOOLTxD	44	SD_MOSI
22	MCU_IO	P13/TxD2/SO20	43	TxD
23	MCU_CLK	P14/RxD2/SI20/SDA20	42	RxD
24	MCU_SI	P15/SCK20/SCL20	41	
25	MCU_SO	P16/TI01/TO01/INTP5	40	
26	ED_DATAIN	P17/TI02/TO02	39	
27	ED_LATCH	P55	38	
28	ED_CS	P54	37	
29	ED_BLANK	P53	36	
30		P52	35	
31		P51/INTP2/SO11	34	XL362_INT2
32		P50/INTP1/SI11/SDA11	33	XL362_INT1



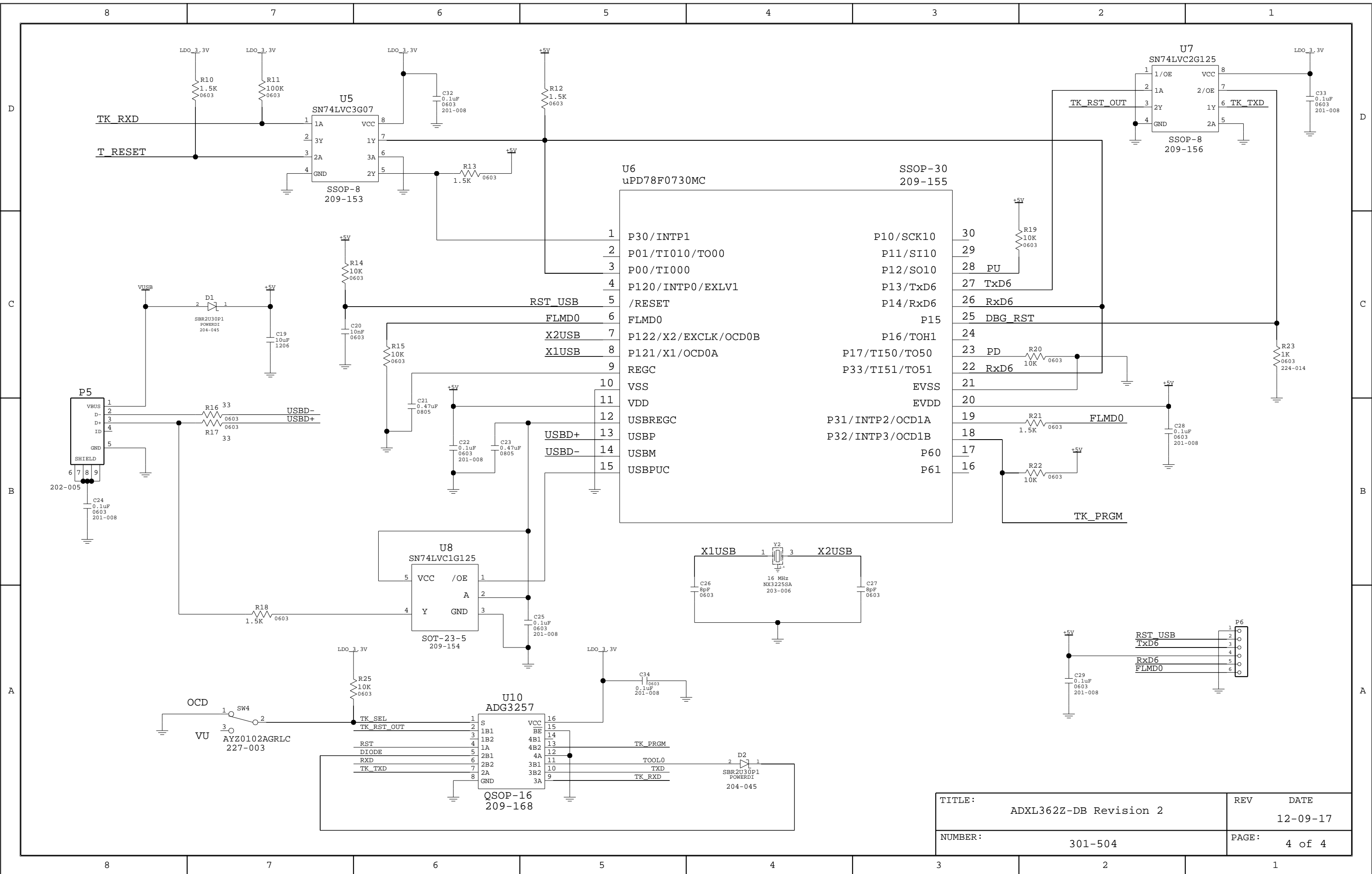
TITLE:	ADXL362Z-DB Revision 2	REV	DATE
NUMBER:	301-504	PAGE:	1 of 4



TITLE:	ADXL362Z-DB Revision 2	REV	DATE
NUMBER:	301-504	PAGE:	2 of 4



TITLE:	ADXL362Z-DB Revision 2	REV	DATE
			12-09-17
NUMBER:	301-504	PAGE:	3 of 4



TITLE:	ADXL362Z-DB Revision 2	REV	DATE
			12-09-17
NUMBER:	301-504	PAGE:	4 of 4