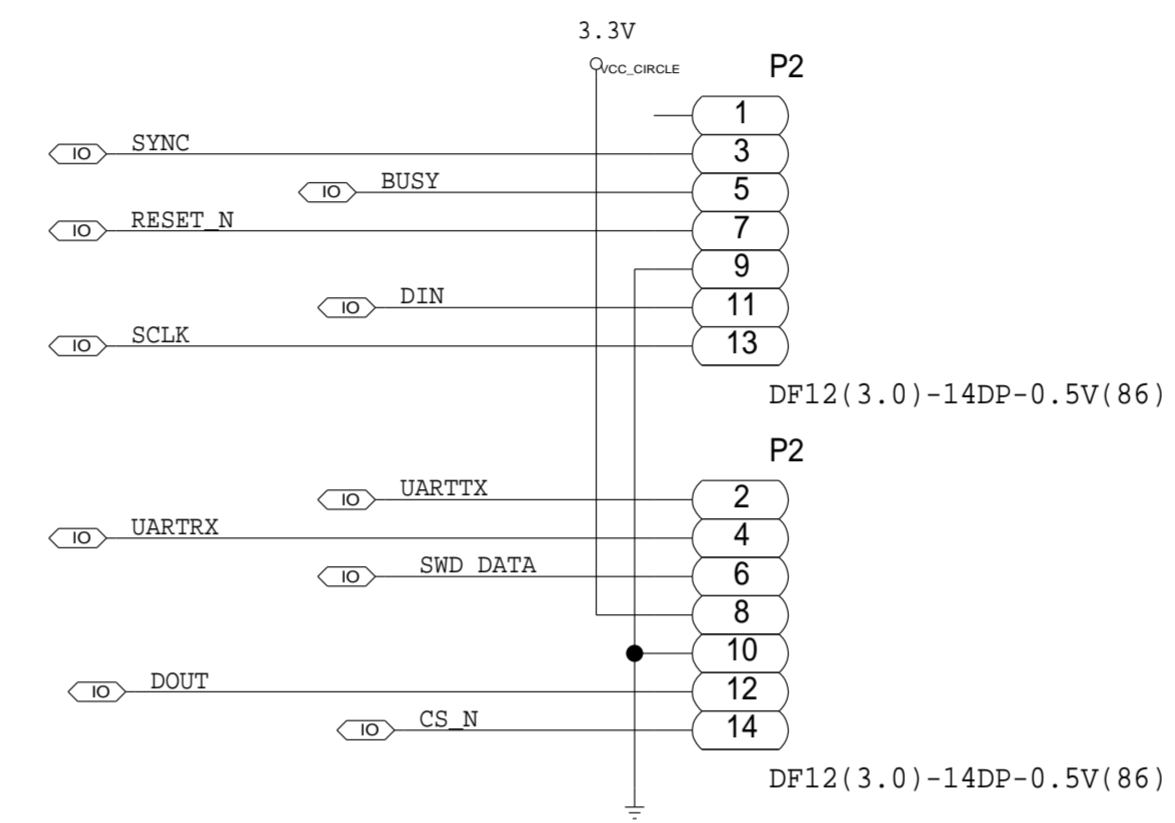
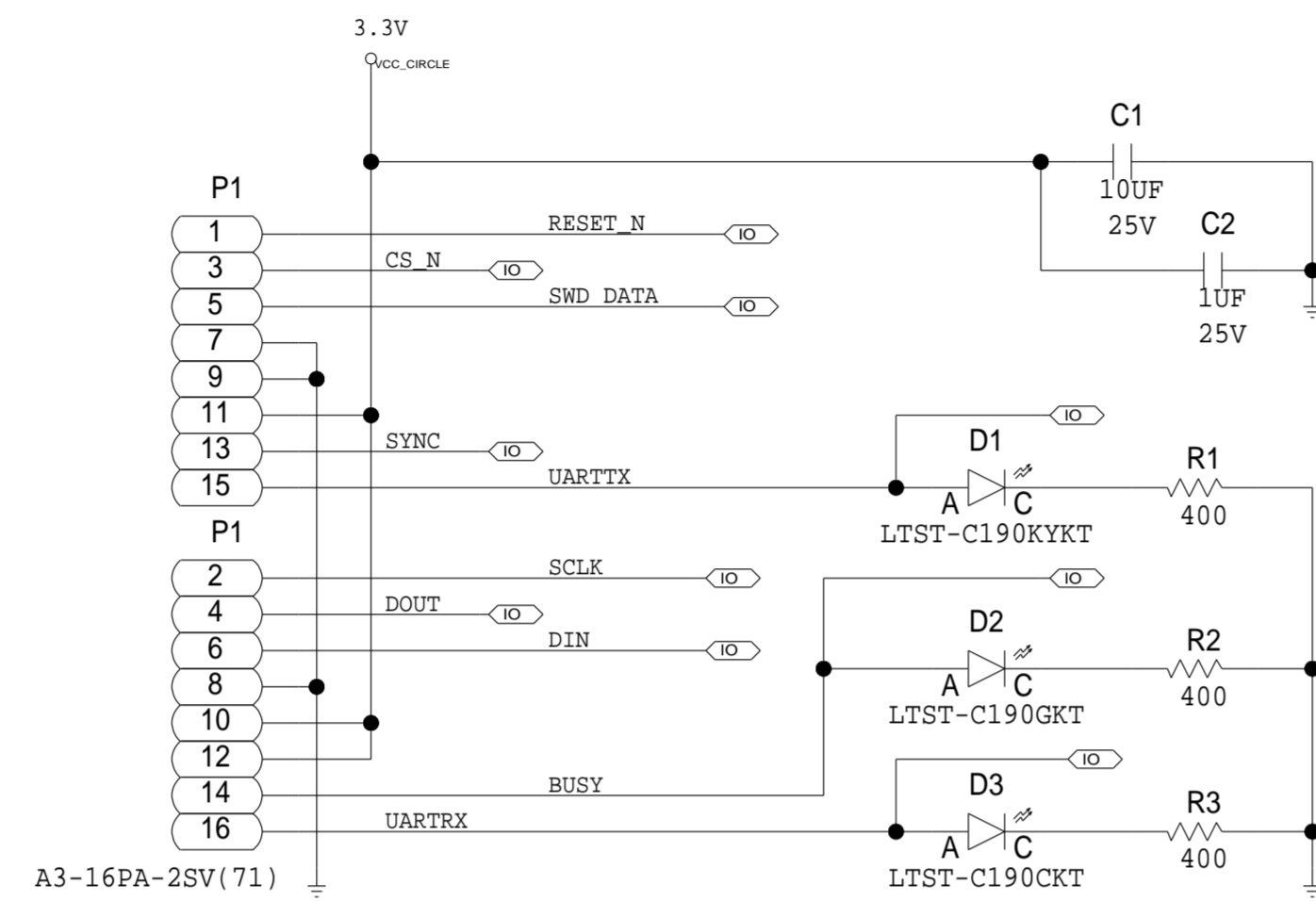


REVISIONS			
REV	DESCRIPTION	DATE	APPROVED
A	INITIAL RELEASE	10/10/17	DK



ADCMXL3021 PACKAGE PIN OUT

	SCHEMATIC		
	HW TYPE : Customer Evaluation		
	Product(s) : N/A		
	: N/A		
DESIGN VIEW <DESIGN_VIEW>	DRAWING NO. 02_047904	REV A	
PTD ENGINEER <PTD_ENGINEER>	SIZE D	SCALE 1:1	SHEET 2 OF 2