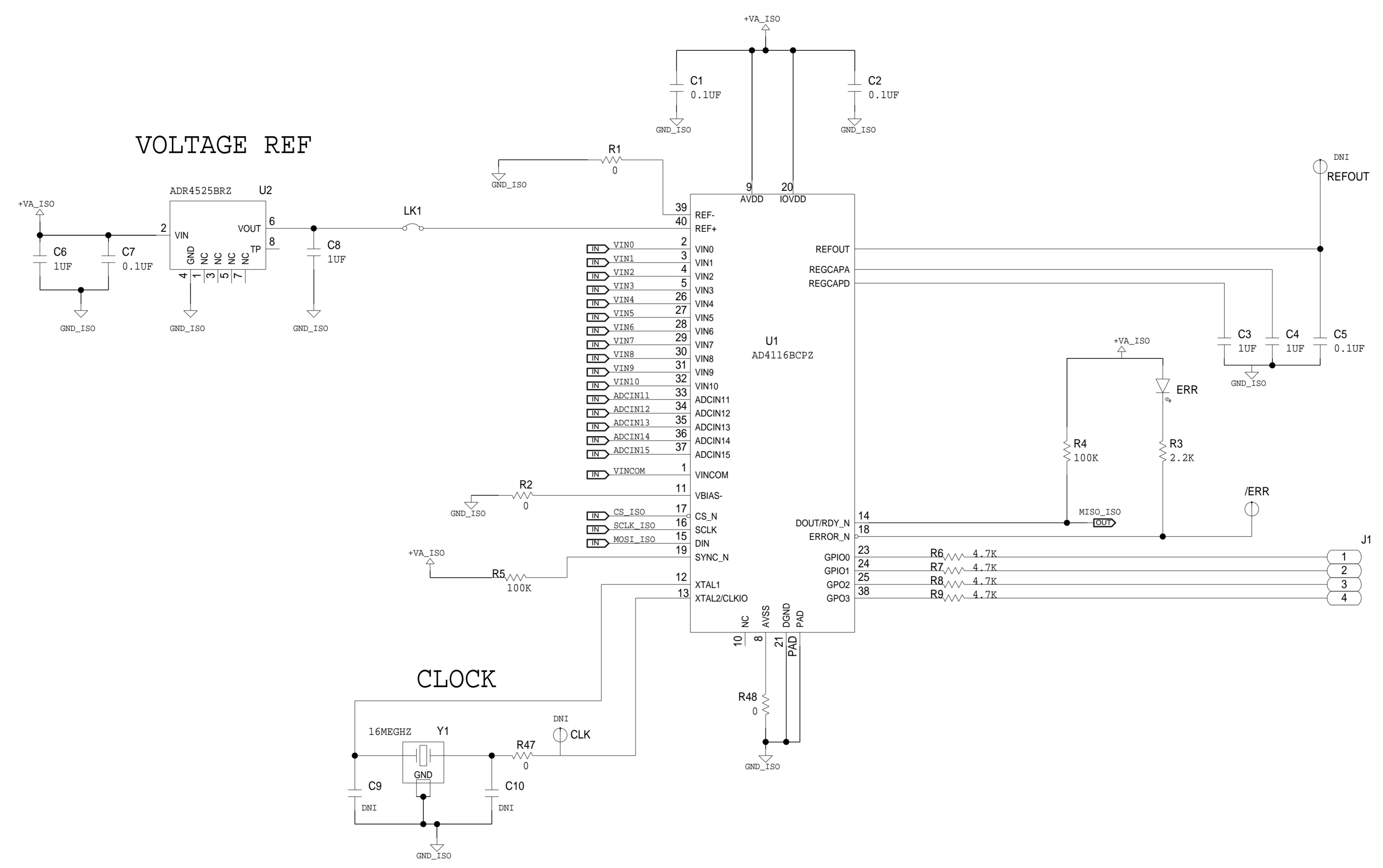


| REVISIONS | | | |
|-----------|-------------|------|----------|
| REV | DESCRIPTION | DATE | APPROVED |
| | | | |



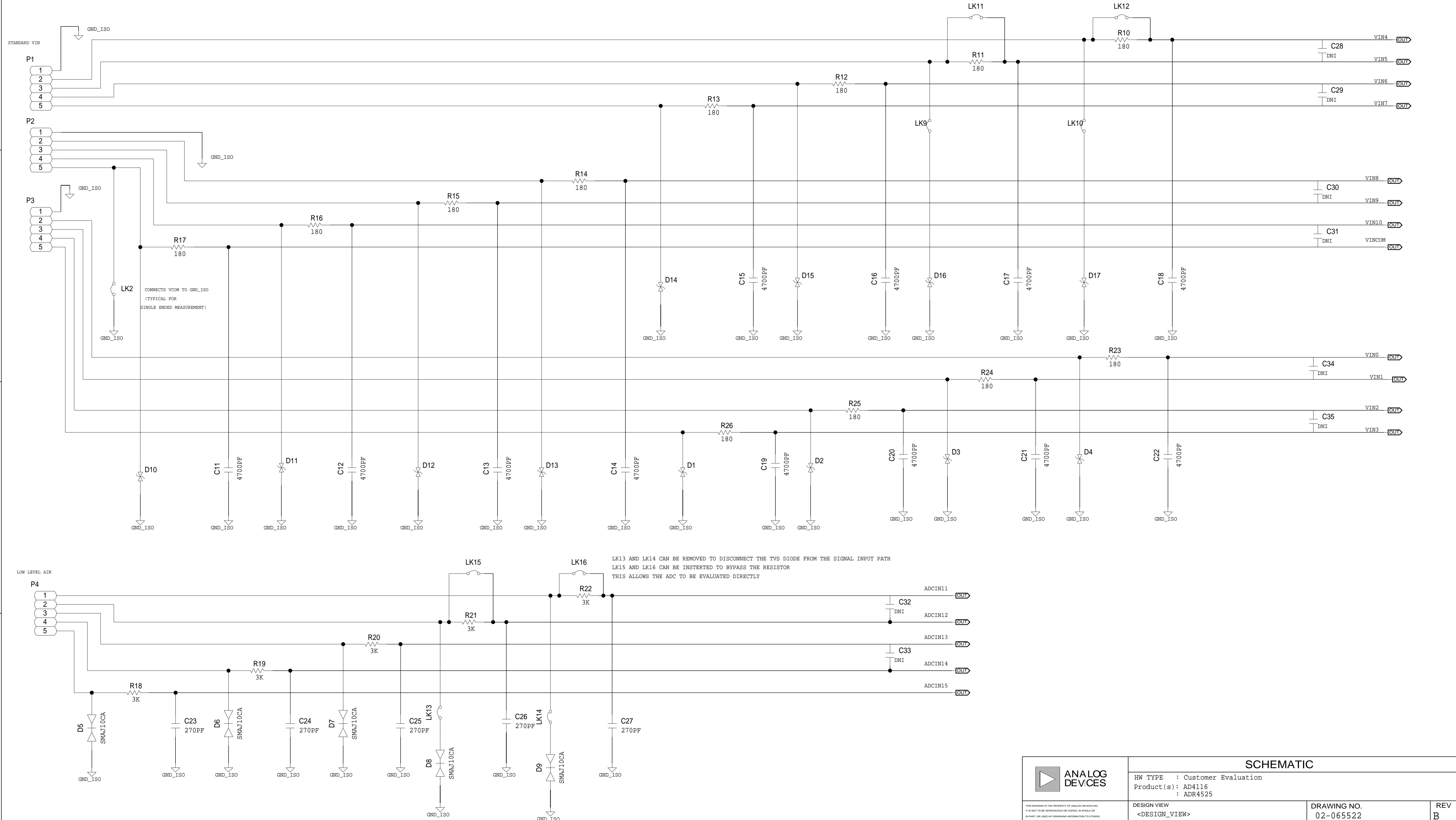
| | | | |
|------------------------------------|----------------------------------|--------------------------|----------|
| | SCHEMATIC | | |
| | HW TYPE : Customer Evaluation | | |
| | Product(s) : AD4116 : ADR4525 | | |
| | DESIGN VIEW <DESIGN_VIEW> | DRAWING NO. 02-065522 | REV B |
| PTD ENGINEER Jellenie Rodriguez | SIZE D | SCALE 1:1 | |
| | | SHEET 2 OF 5 | |

INPUT PROTECTION

INPUT PROTECTION CIRCUITRY ARE BASED OFF AN EMC ROBUSTNESS DESIGN. MORE DETAILS CAN BE FOUND IN AN-1572

LK9 AND LK10 CAN BE REMOVED TO DISCONNECT THE TVS DIODE FROM THE SIGNAL INPUT PATH
 LK11 AND LK12 CAN BE INSTERTED TO BYPASS THE RESISTOR
 THIS ALLOWS THE ADC TO BE EVALUATED DIRECTLY

| REVISIONS | | | |
|-----------|-------------|------|----------|
| REV | DESCRIPTION | DATE | APPROVED |
| | | | |



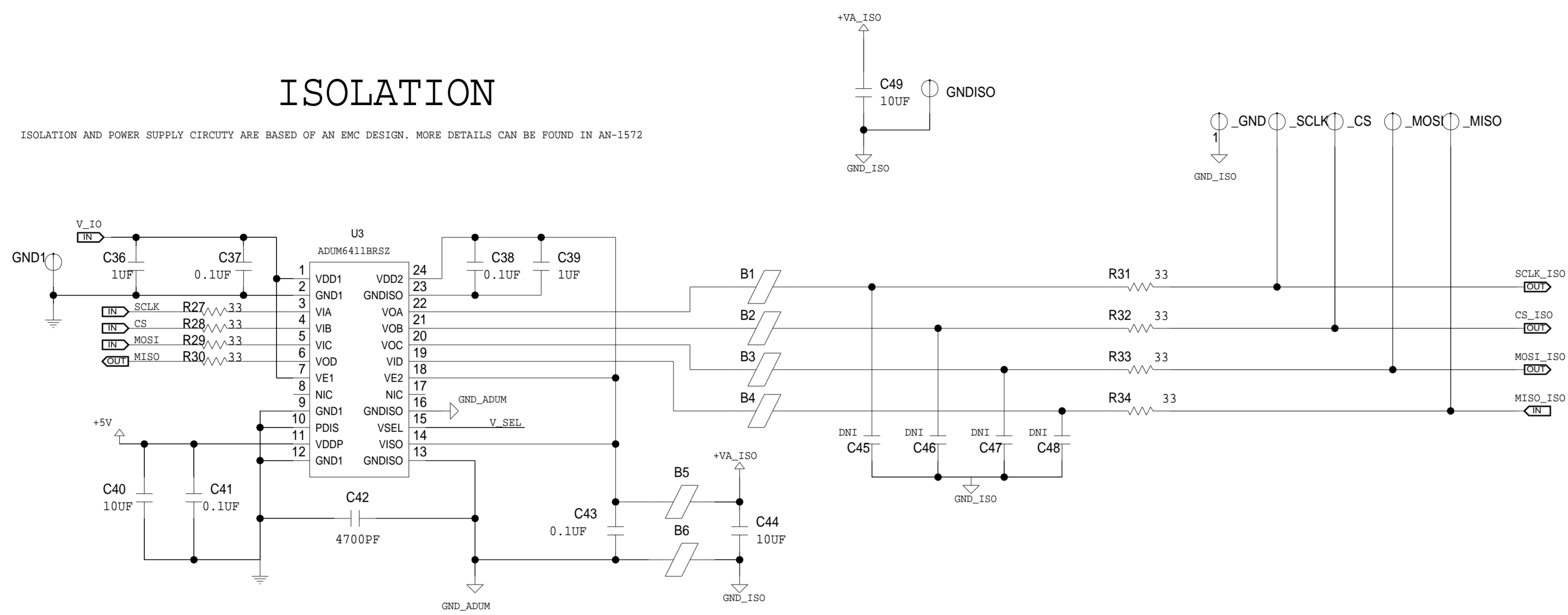
| | | | |
|--|---|--------------------------|--------------|
| <p>THIS DRAWING IS THE PROPERTY OF ANALOG DEVICES INC. IT IS NOT TO BE REPRODUCED OR COPIED, IN WHOLE OR IN PART, OR USED FOR ANY OTHER PURPOSES WITHOUT THE WRITTEN PERMISSION OF ANALOG DEVICES. THE EQUIPMENT SHOWN HEREIN MAY BE PROTECTED BY PATENTS OWNED OR CONTROLLED BY ANALOG DEVICES.</p> | SCHEMATIC | | |
| | HW TYPE : Customer Evaluation Product(s) : AD4116 : ADR4525 | | |
| | DESIGN VIEW <DESIGN_VIEW> | DRAWING NO. 02-065522 | REV B |
| | PTD ENGINEER Jellenie Rodriguez | SIZE D | SCALE 1:1 |

SHEET 3 OF 5

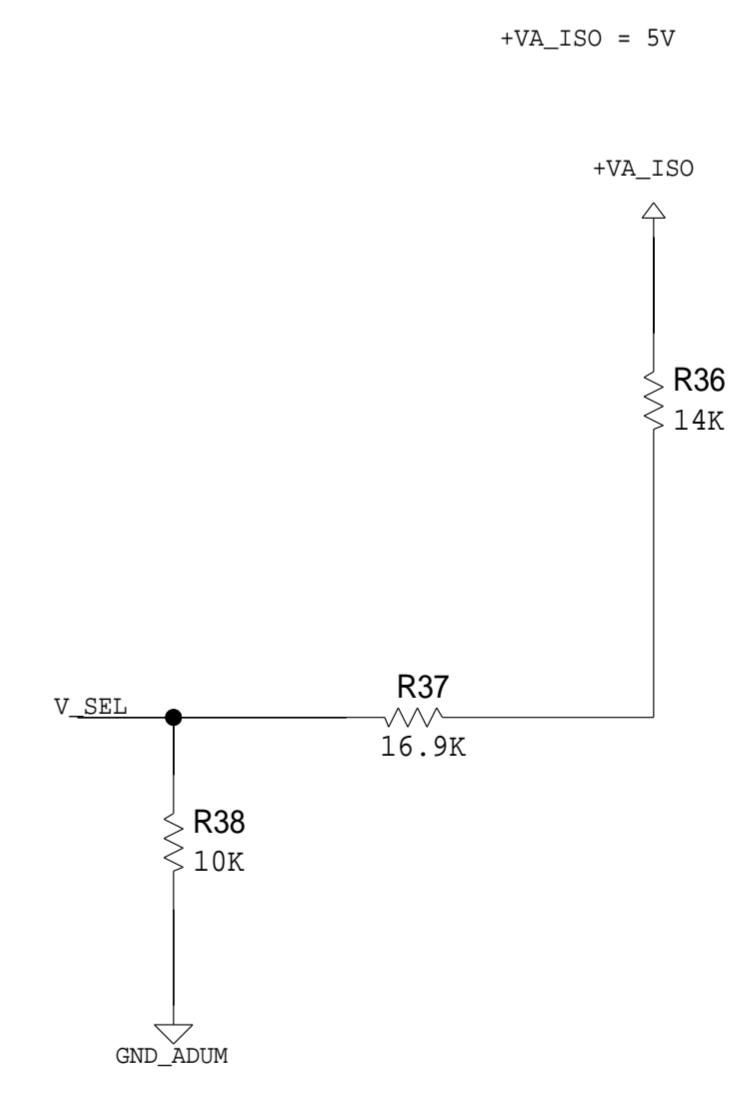
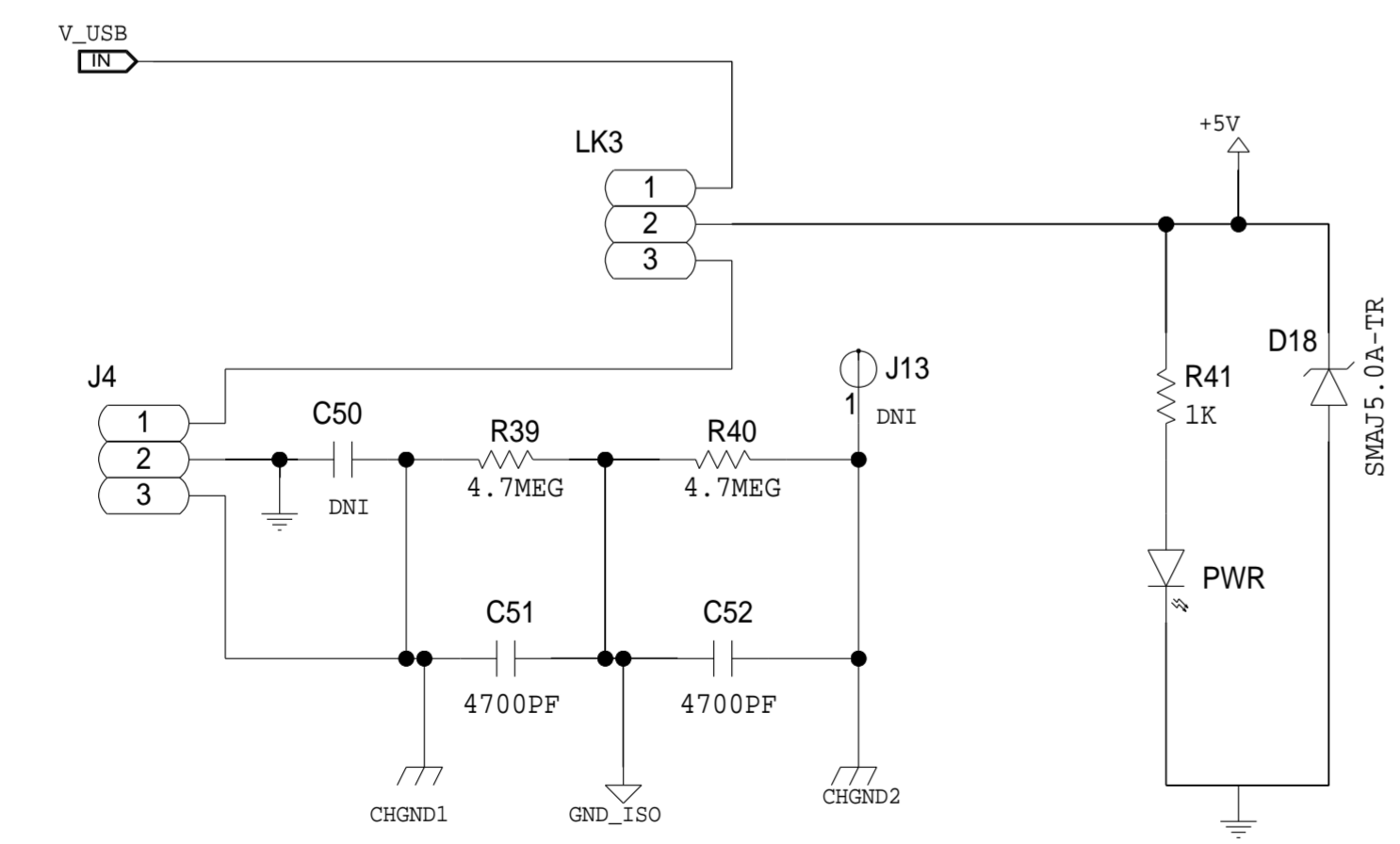
| REVISIONS | | | |
|-----------|-------------|------|----------|
| REV | DESCRIPTION | DATE | APPROVED |
| | | | |

ISOLATION

ISOLATION AND POWER SUPPLY CIRCUITY ARE BASED ON AN EMC DESIGN. MORE DETAILS CAN BE FOUND IN AN-1572



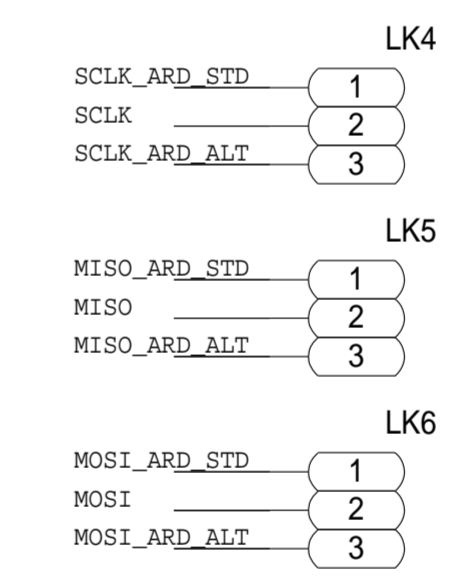
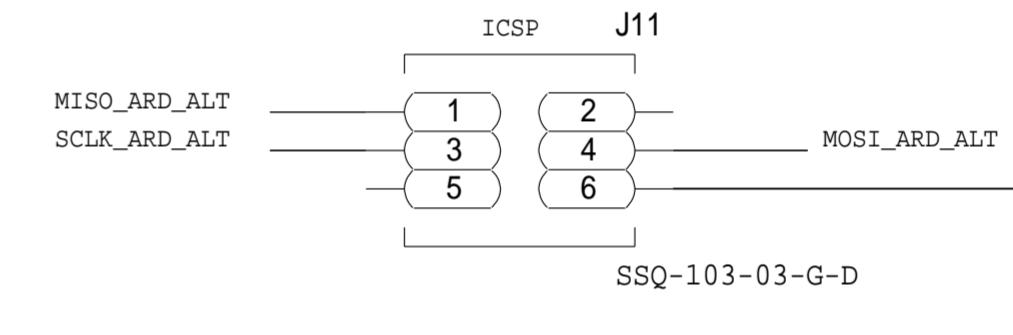
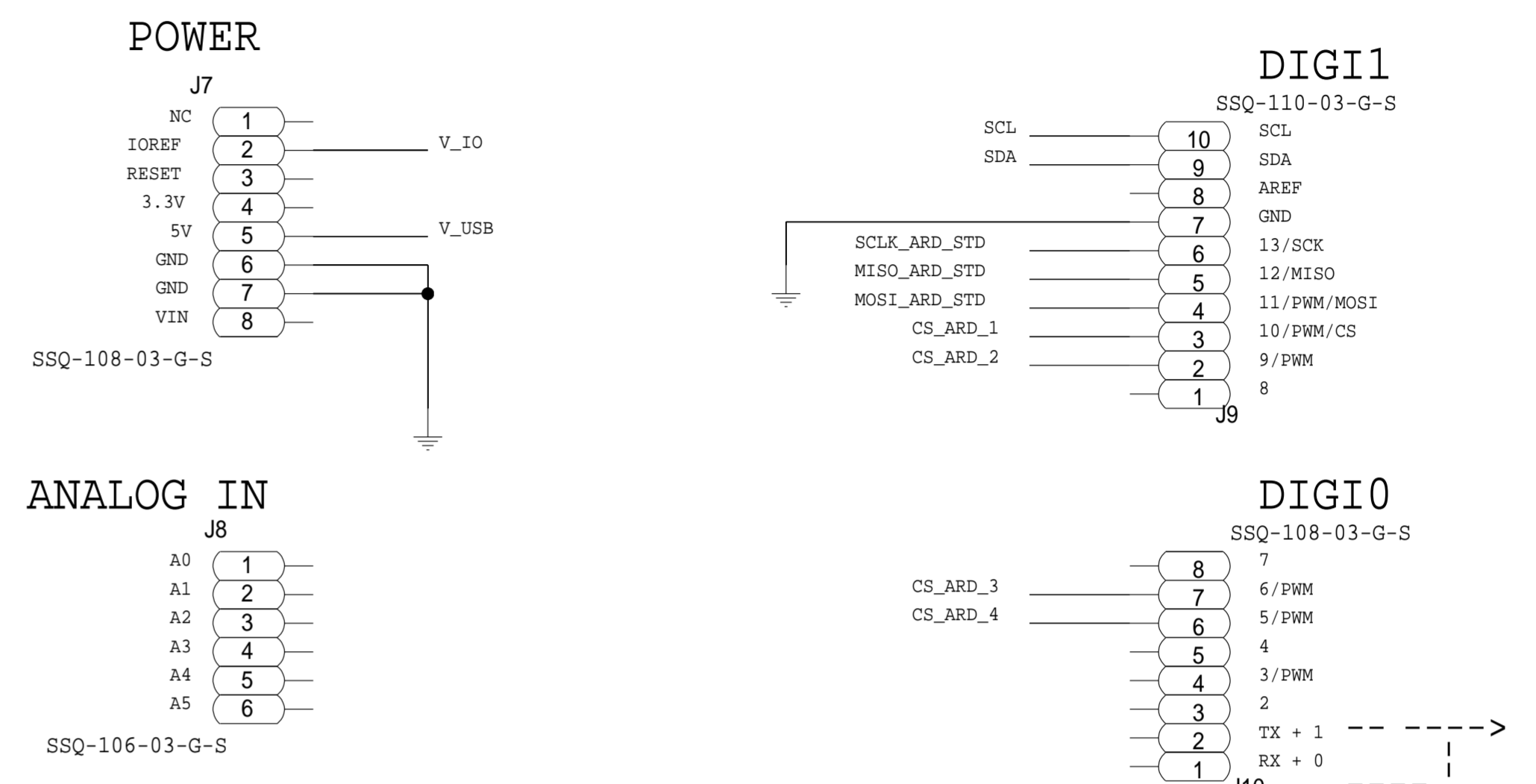
POWER SUPPLY



| | | | | |
|------------------------------------|---------------------------------|--------------------------|--------------|--|
| | SCHEMATIC | | | |
| | HW TYPE : Customer Evaluation | | | |
| | Product(s): AD4116 : ADR4525 | | | |
| | DESIGN VIEW <DESIGN_VIEW> | DRAWING NO. 02-065522 | REV B | |
| PTD ENGINEER Jellenie Rodriguez | SIZE D | SCALE 1:1 | SHEET 4 OF 5 | |

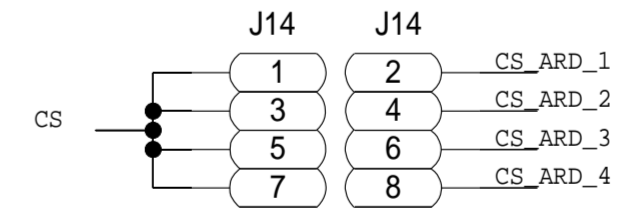
| REVISIONS | | | |
|-----------|-------------|------|----------|
| REV | DESCRIPTION | DATE | APPROVED |
| | | | |

ARDUNIO HEADER

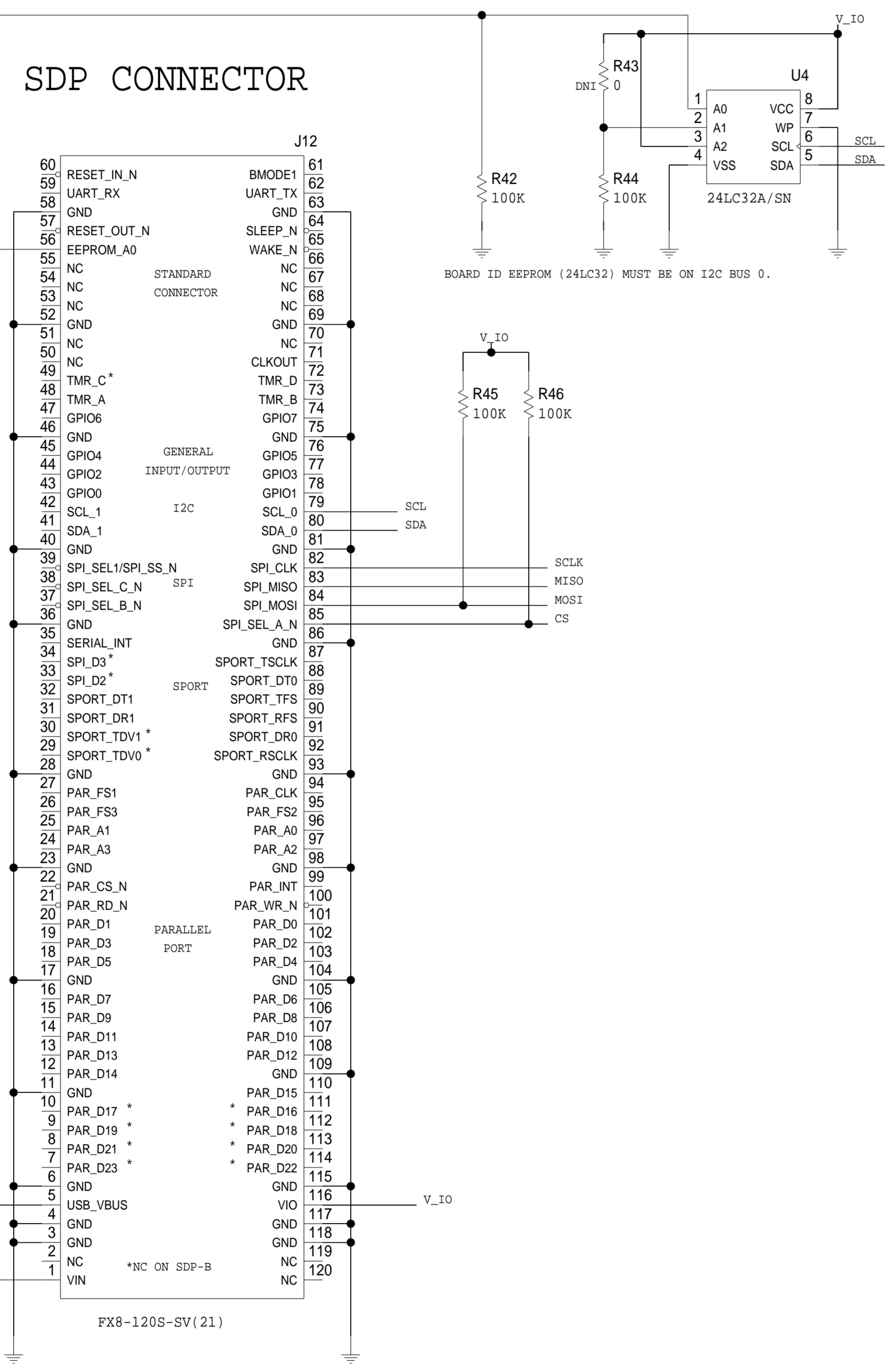


STD = STANDARD ARDUINO CONNECTION
 ALT = ALTERNATE ARDUINO CONNECTION

ARDUNIO HEADER CS SELECTION
 SELECT DIFFERENT CS FOR STACKING MULTIPLE BOARDS



TLW-1114-104-105-T-D



| SCHEMATIC | | | |
|------------------------------------|--|---|--------------|
| | | HW TYPE : Customer Evaluation Product(s) : AD4116 : ADR4525 | |
| DESIGN VIEW <DESIGN_VIEW> | | DRAWING NO. 02-065522 | |
| PTD ENGINEER Jellenie Rodriguez | | SIZE D | SCALE 1:1 |
| | | SHEET 5 OF 5 | |
| | | REV B | |

THIS DRAWING IS THE PROPERTY OF ANALOG DEVICES INC. IT IS NOT TO BE REPRODUCED OR COPIED, IN WHOLE OR IN PART, OR USED IN FURNISHING INFORMATION TO OTHERS, OR FOR ANY OTHER PURPOSE DETRIMENTAL TO THE INTERESTS OF ANALOG DEVICES. THE EQUIPMENT SHOWN HEREON MAY BE PROTECTED BY PATENTS OWNED OR CONTROLLED BY ANALOG DEVICES.