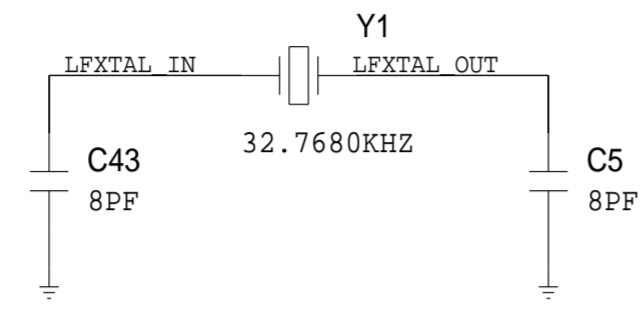


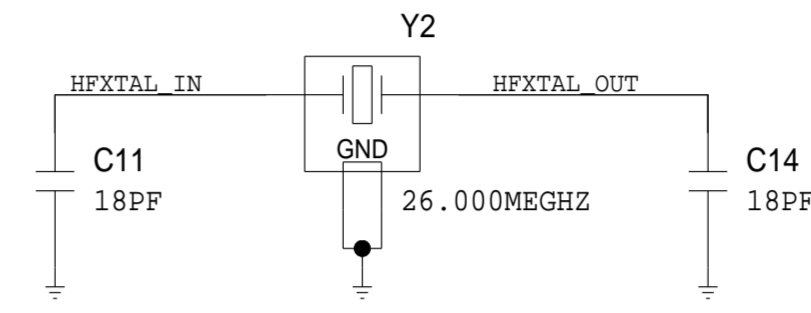
REVISIONS			
REV	DESCRIPTION	DATE	APPROVED

ULP SOC

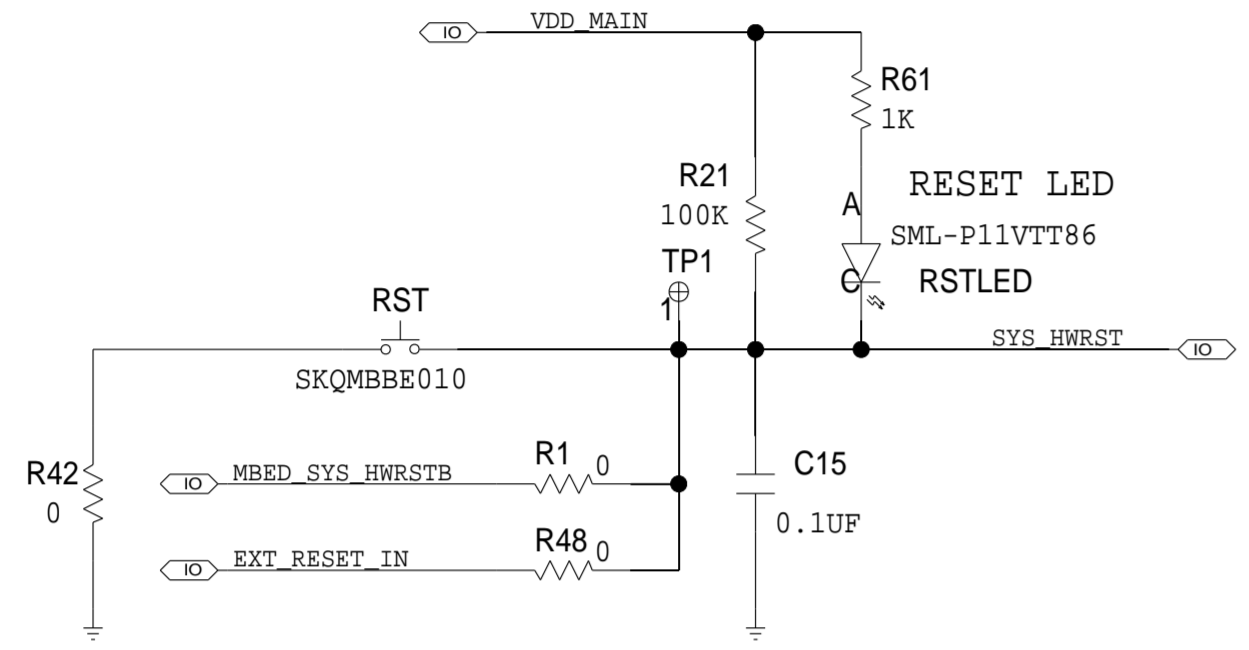
LFCLK CRYSTAL



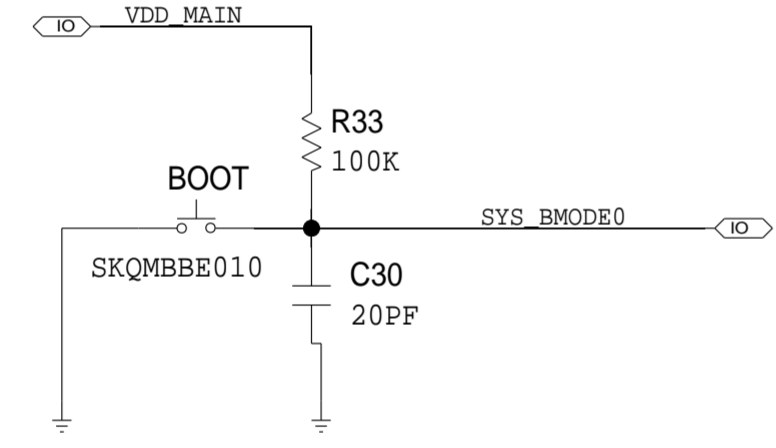
HFCLK CRYSTAL



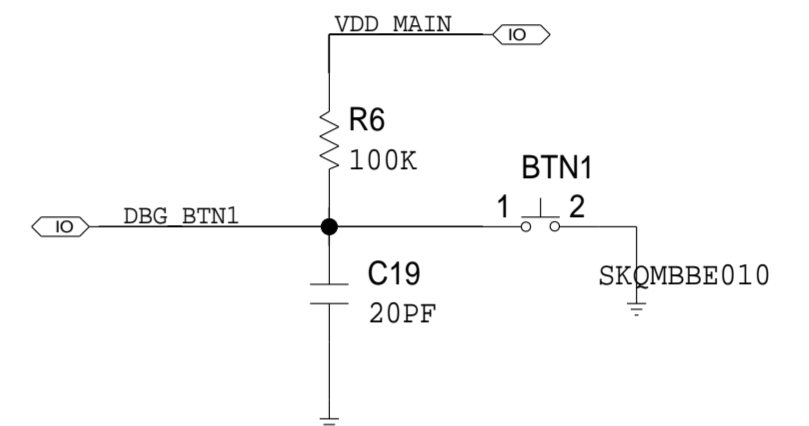
RESET



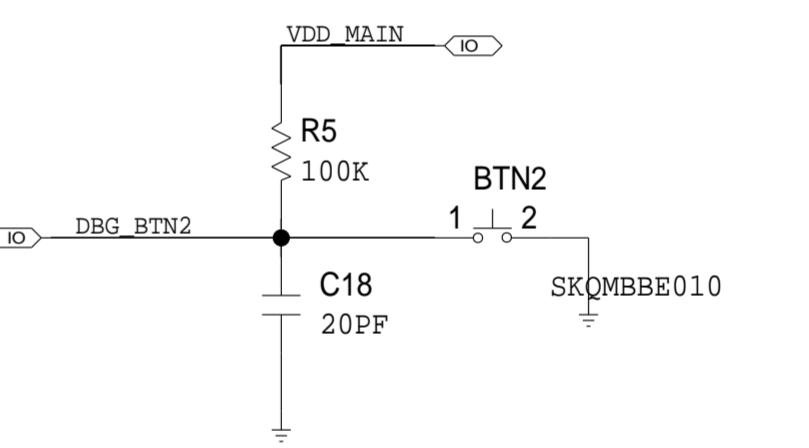
BOOT BUTTON



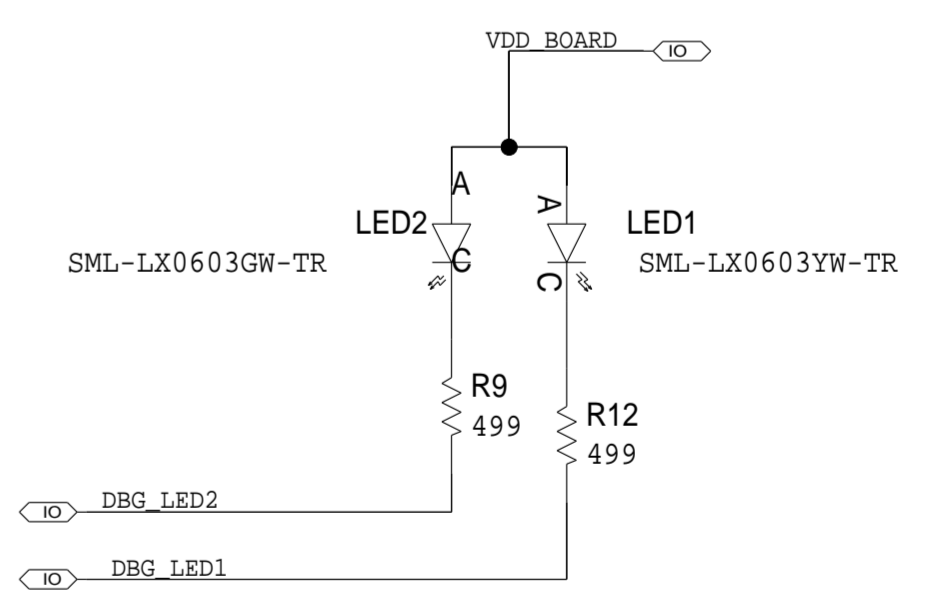
DEBUG BUTTON #1



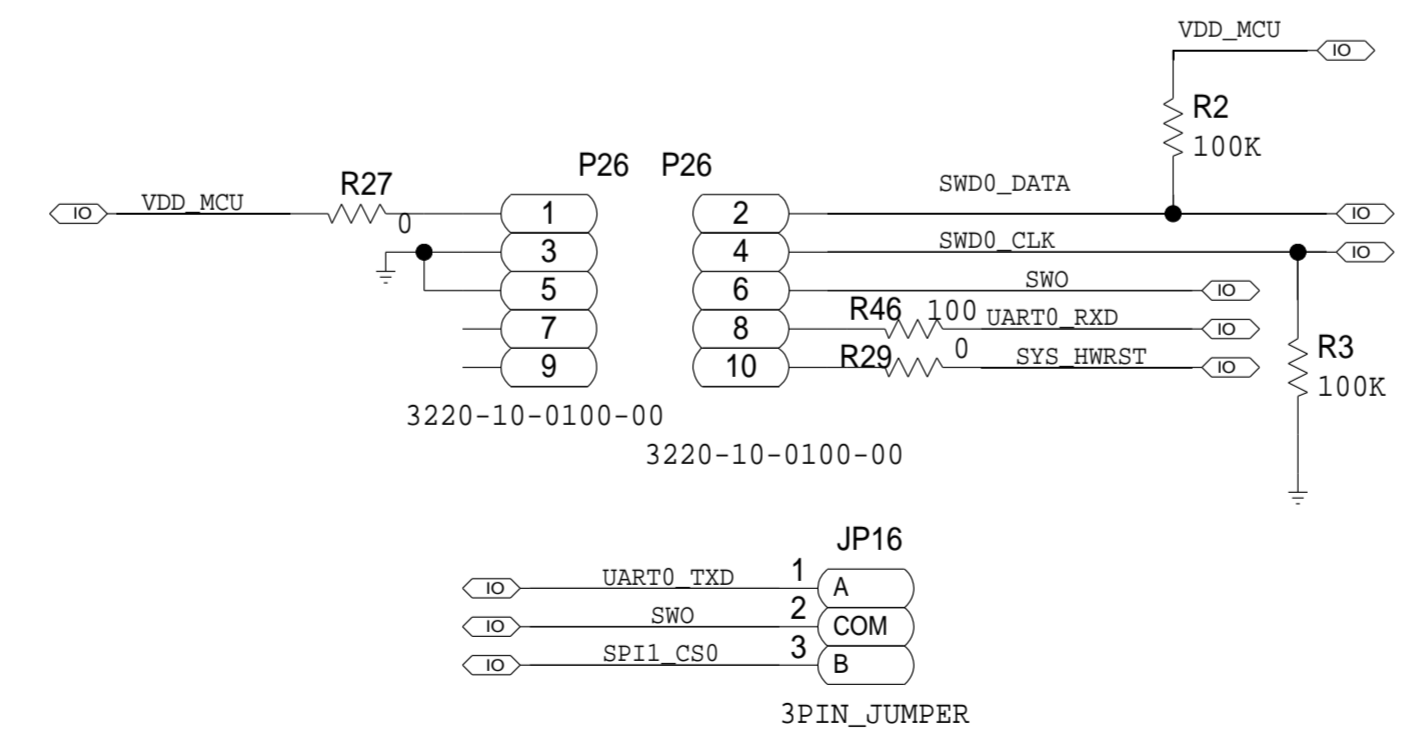
DEBUG BUTTON #2



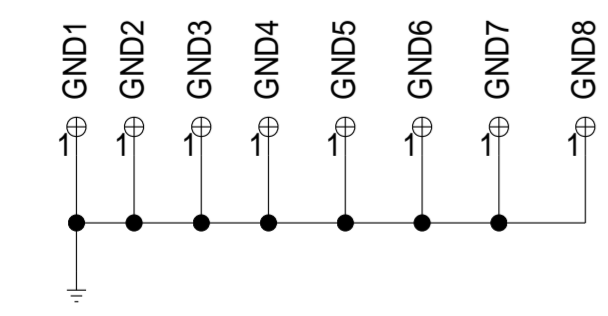
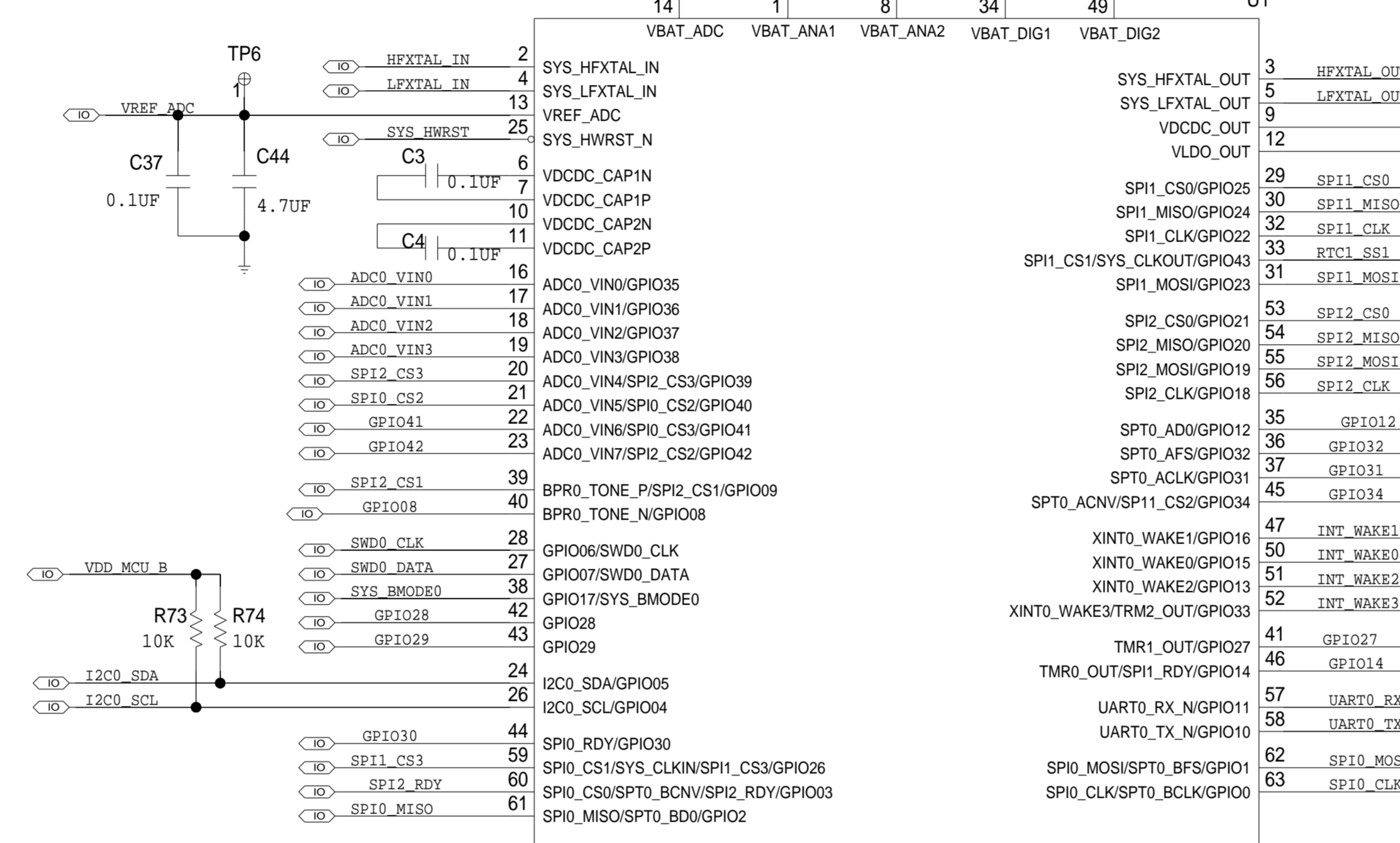
DEBUG LED #1 & #2



SWD JLINK HEADER



USE ZERO RESISTORS
IN DEFAULT POSITION A



SCHEMATIC			
ANALOG DEVICES		HW TYPE : Faststart IOT Tile Product(s) : ADUCM302x : ADUCM4x50	
DESIGN VIEW <DESIGN_VIEW>	DRAWING NO. 02_044583	REV B	
PTD ENGINEER N. KAMATH	SIZE D	SCALE 1:1	SHEET 2 OF 6

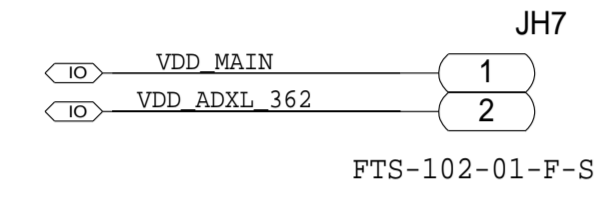
THIS DRAWING IS THE PROPERTY OF ANALOG DEVICES INC. IT IS NOT TO BE REPRODUCED OR COPIED, IN WHOLE OR IN PART, OR USED IN ANY MANNER THAT MAY BE DETRIMENTAL TO THE INTERESTS OF ANALOG DEVICES. THE EQUIPMENT SHOWN HEREIN MAY BE PROTECTED BY PATENTS OWNED OR CONTROLLED BY ANALOG DEVICES.

REVISIONS			
REV	DESCRIPTION	DATE	APPROVED

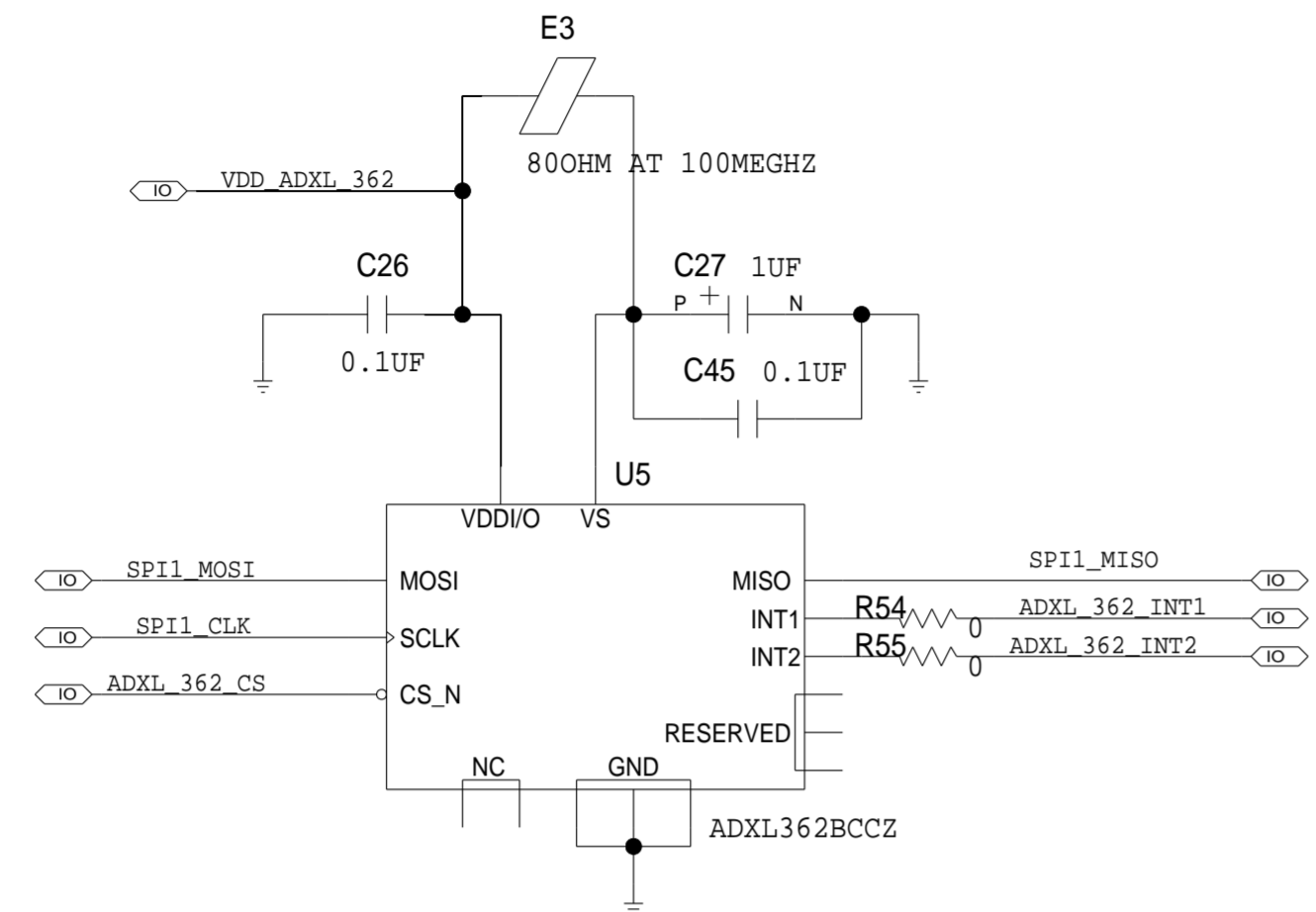
SENSORS AND CONNECTIVITY

ACCELEROMETER - ADXL362

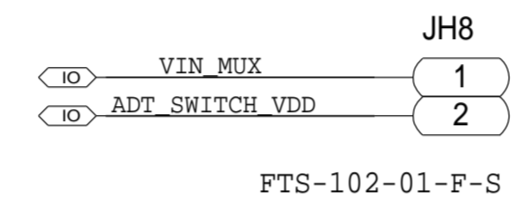
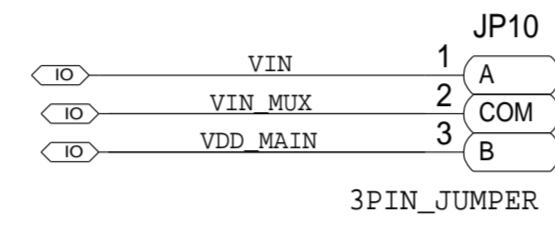
INSERT SHUNT
IN DEFAULT POSITION 1&2



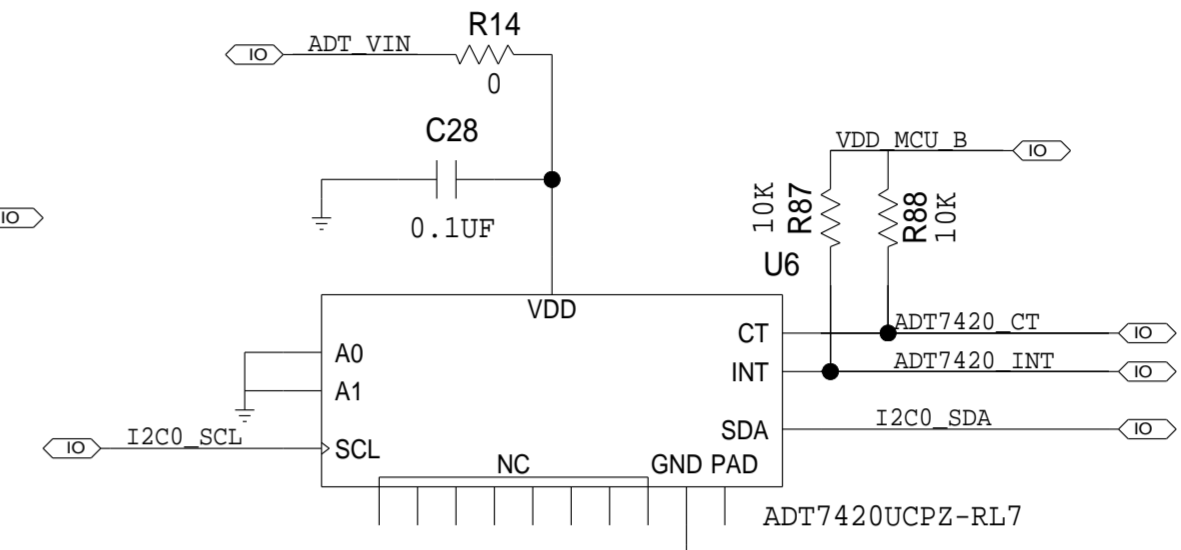
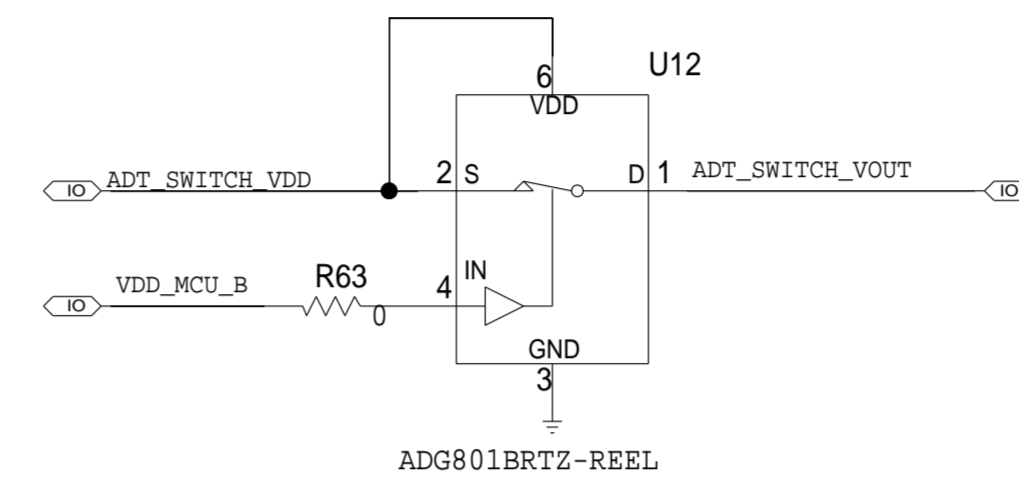
REMOVE SHUNT AT JH7
IF SHORTING R64 BELOW



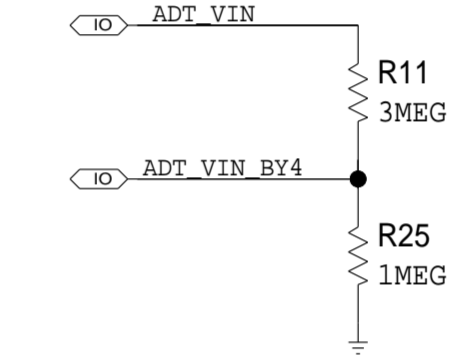
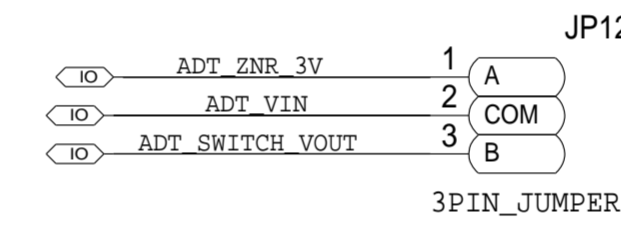
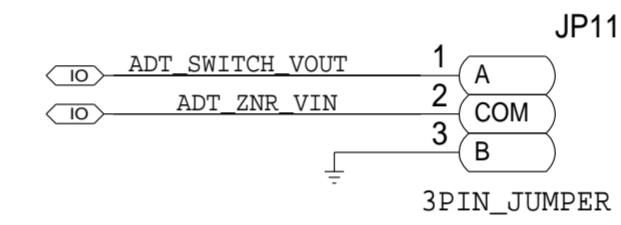
USE ZERO RESISTORS
IN DEFAULT POSITION A



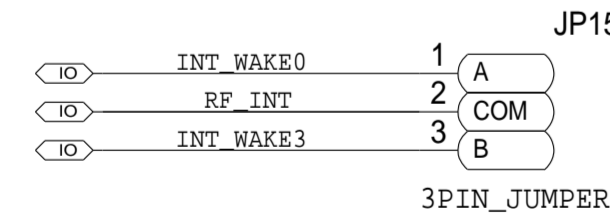
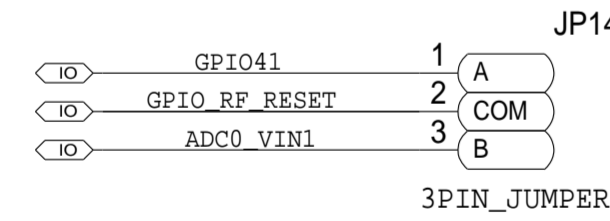
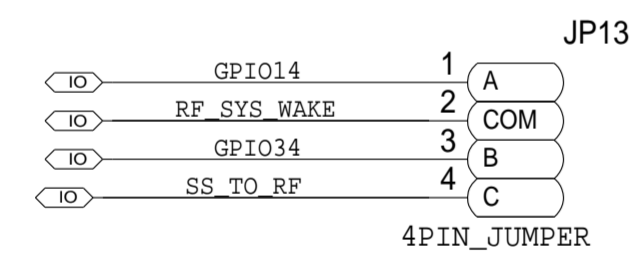
TEMPERATURE - ADT7420



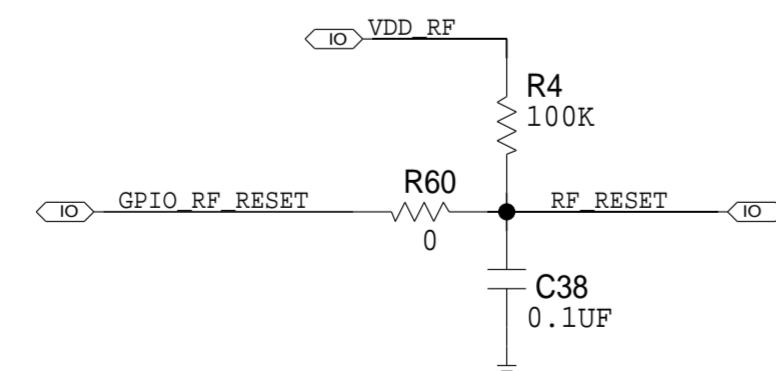
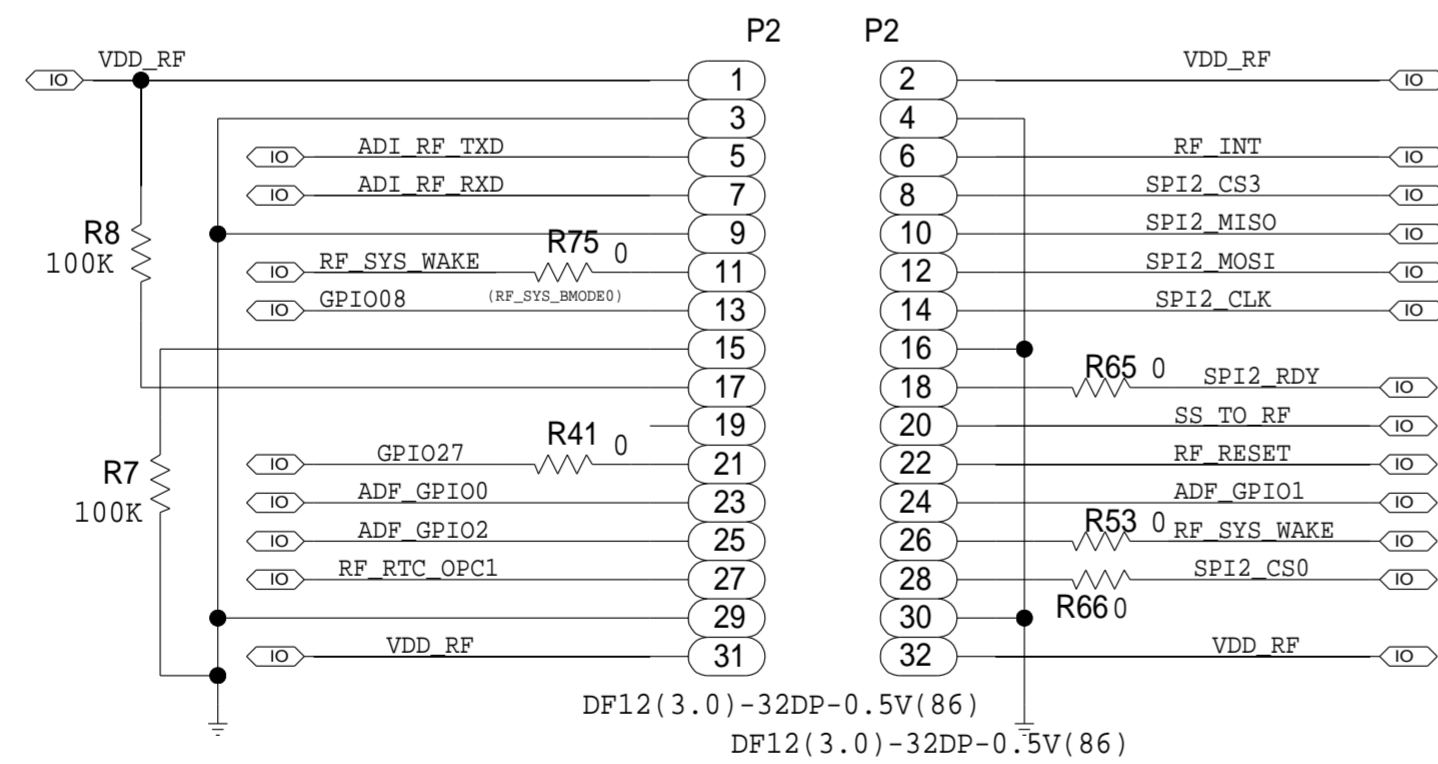
USE ZERO RESISTORS
IN DEFAULT POSITION A



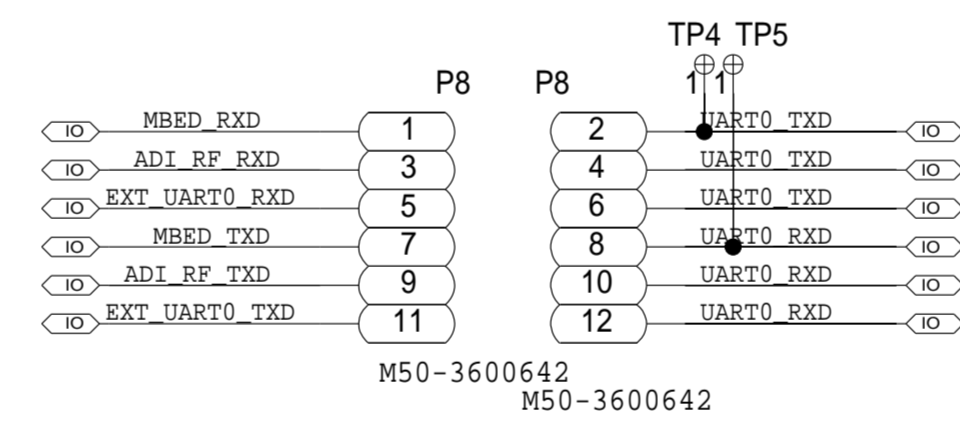
USE ZERO RESISTORS
IN DEFAULT POSITION A



ADI RF MODULE



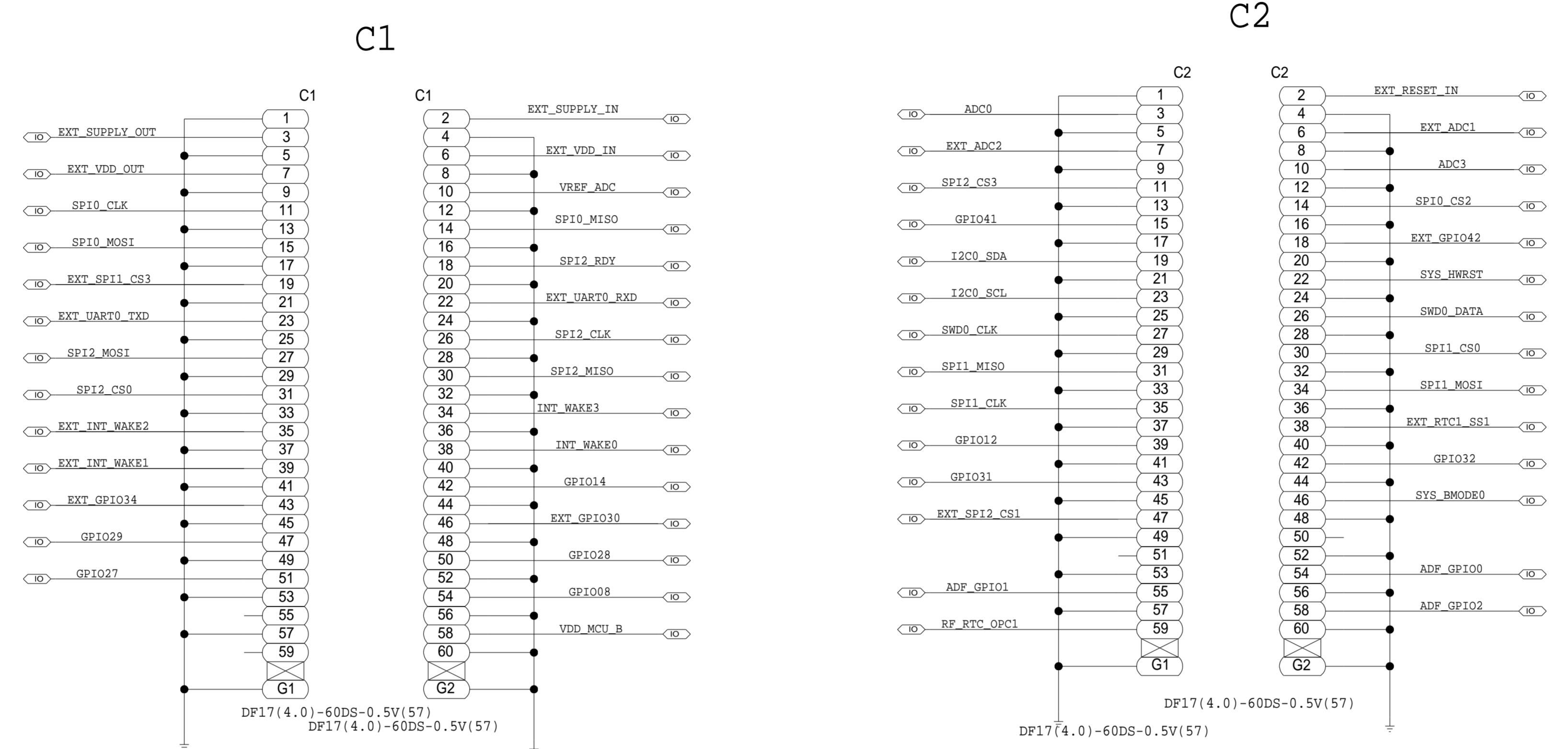
UART HEADER



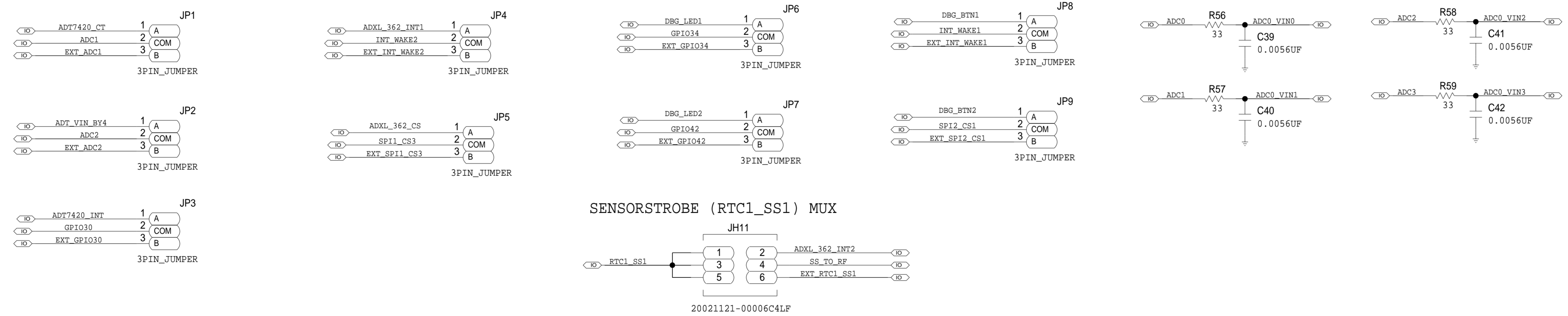
ANALOG DEVICES				SCHEMATIC			
<small>THIS DRAWING IS THE PROPERTY OF ANALOG DEVICES INC. IT IS NOT TO BE REPRODUCED OR COPIED, IN WHOLE OR IN PART, OR USED IN ANY MANNER THAT MAY BE DETRIMENTAL TO THE INTERESTS OF ANALOG DEVICES. THE EQUIPMENT SHOWN HEREIN MAY BE PROTECTED BY PATENTS OWNED OR CONTROLLED BY ANALOG DEVICES.</small>				HW TYPE : Faststart IOT Tile			
				Product(s) : ADuCM302x : ADuCM4x50			
DESIGN VIEW <DESIGN_VIEW>		DRAWING NO. 02_044583		REV B			
PTD ENGINEER N. KAMATH		SIZE D	SCALE 1:1	SHEET 3 OF 6			

REVISIONS			
REV	DESCRIPTION	DATE	APPROVED

EXPANSION CONNECTORS



USE ZERO RESISTORS
IN DEFAULT POSITION A



SCHEMATIC			
		HW TYPE : Faststart IOT Tile Product(s) : ADuCM302x : ADuCM4x50	
DESIGN VIEW <DESIGN_VIEW>		DRAWING NO. 02_044583	
PTD ENGINEER N. KAMATH		SIZE D	SCALE 1:1
		SHEET 4 OF 6	
		REV B	

8 7 6 5 4 3 2 1

8 7 6 5 4 3 2 1

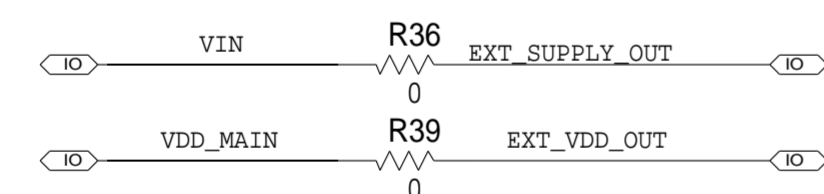
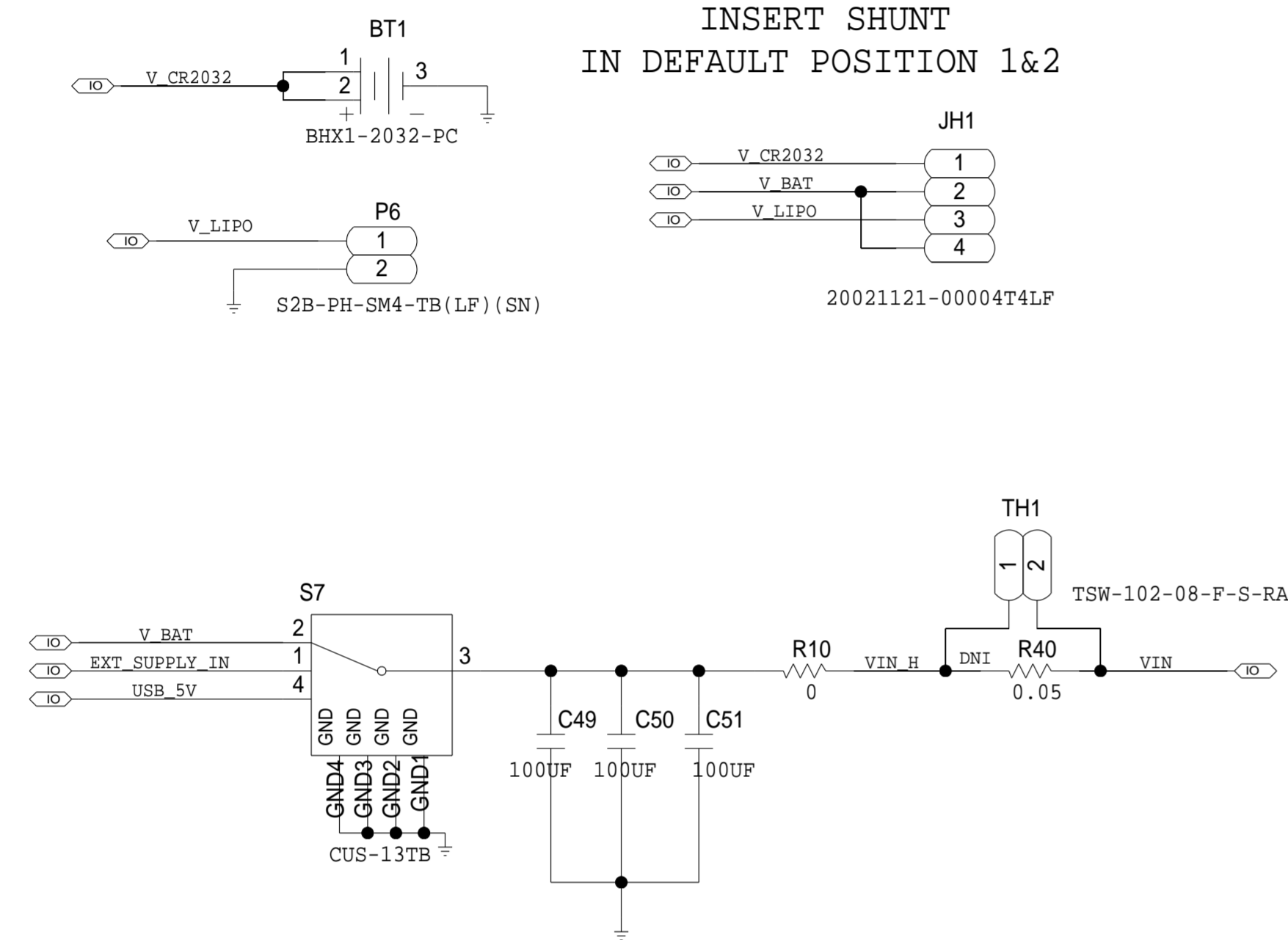
D
C
B
A

D
C
B
A

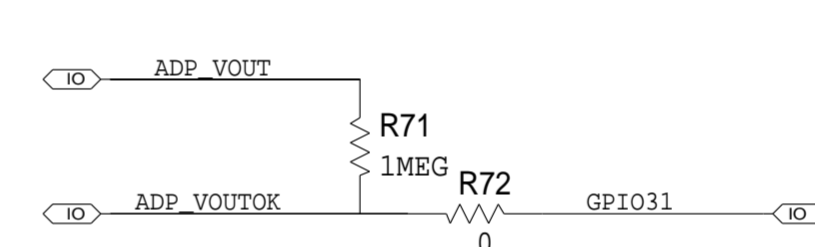
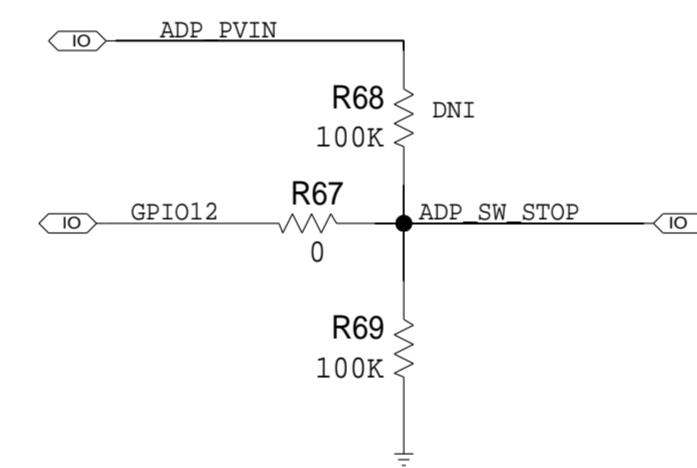
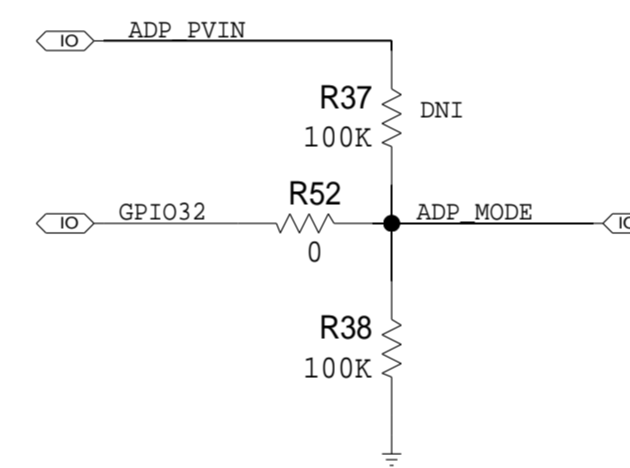
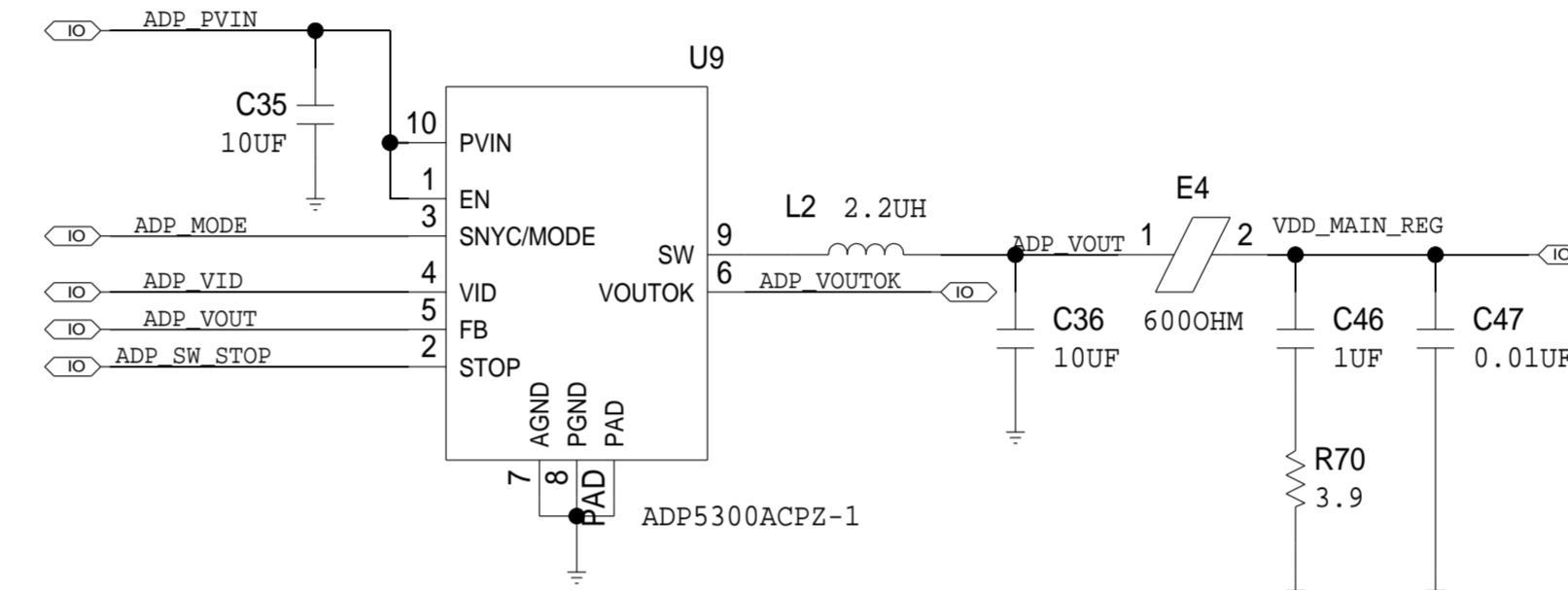
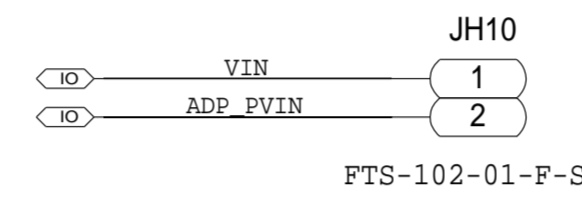
REVISIONS			
REV	DESCRIPTION	DATE	APPROVED

POWER MANAGEMENT

POWER SUPPLY OPTIONS

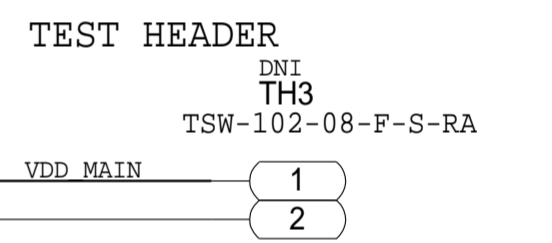
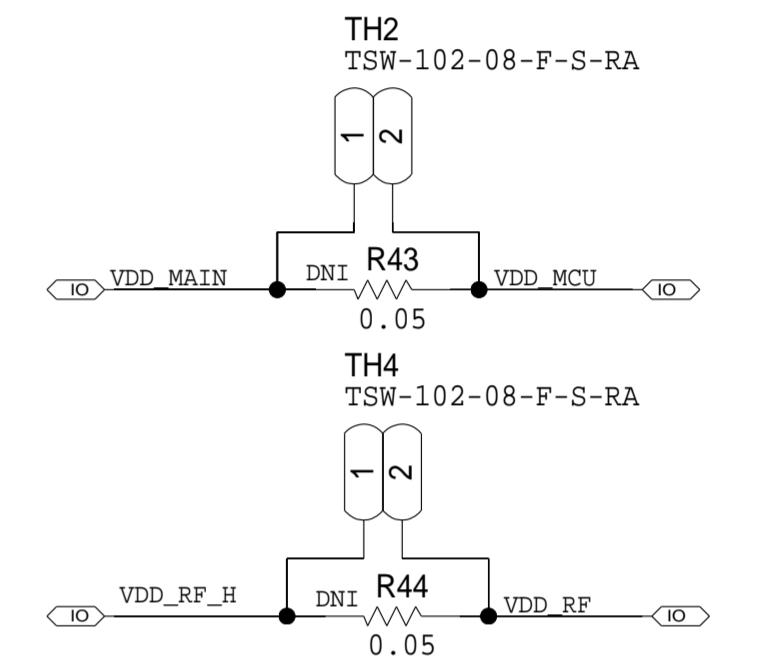
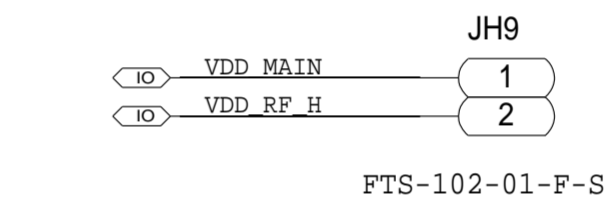
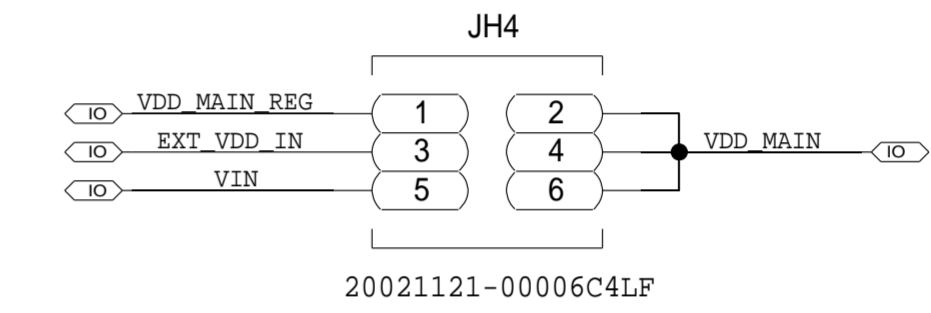


INSERT SHUNT IN DEFAULT POSITION 1&2

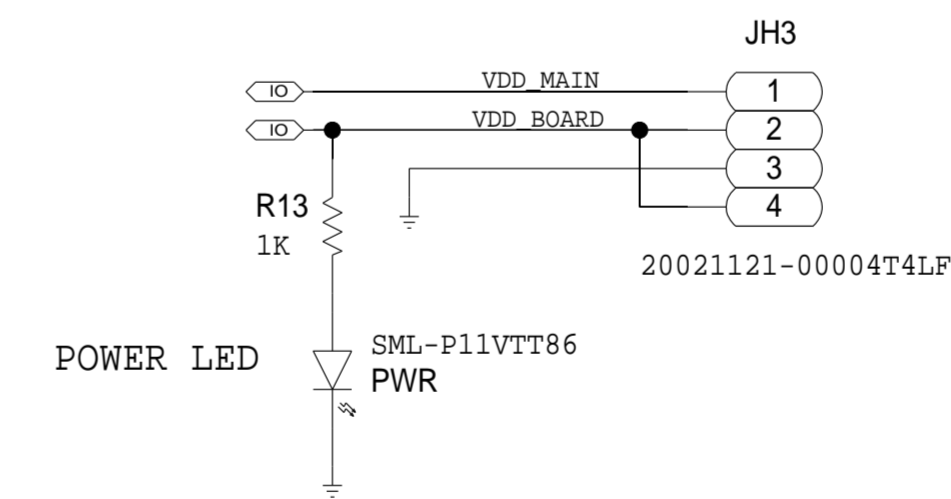
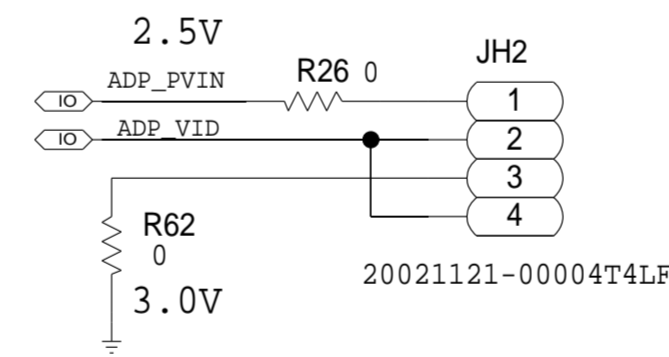


STEP DOWN REGULATOR

INSERT SHUNT IN DEFAULT POSITION 1&2



INSERT SHUNT IN DEFAULT POSITION 1&2



<p>THIS DRAWING IS THE PROPERTY OF ANALOG DEVICES INC. IT IS NOT TO BE REPRODUCED OR COPIED, IN WHOLE OR IN PART, OR USED IN FURNISHING INFORMATION TO OTHERS, OR FOR ANY OTHER PURPOSE DETRIMENTAL TO THE INTERESTS OF ANALOG DEVICES. THE EQUIPMENT SHOWN HEREIN MAY BE PROTECTED BY PATENTS OWNED OR CONTROLLED BY ANALOG DEVICES.</p>	SCHEMATIC		
	HW TYPE : Faststart IOT Tile Product(s) : ADuCM302x : ADuCM4x50		
	DESIGN VIEW <DESIGN_VIEW>	DRAWING NO. 02_044583	REV B
	PTD ENGINEER N. KAMATH	SIZE D	SCALE 1:1

