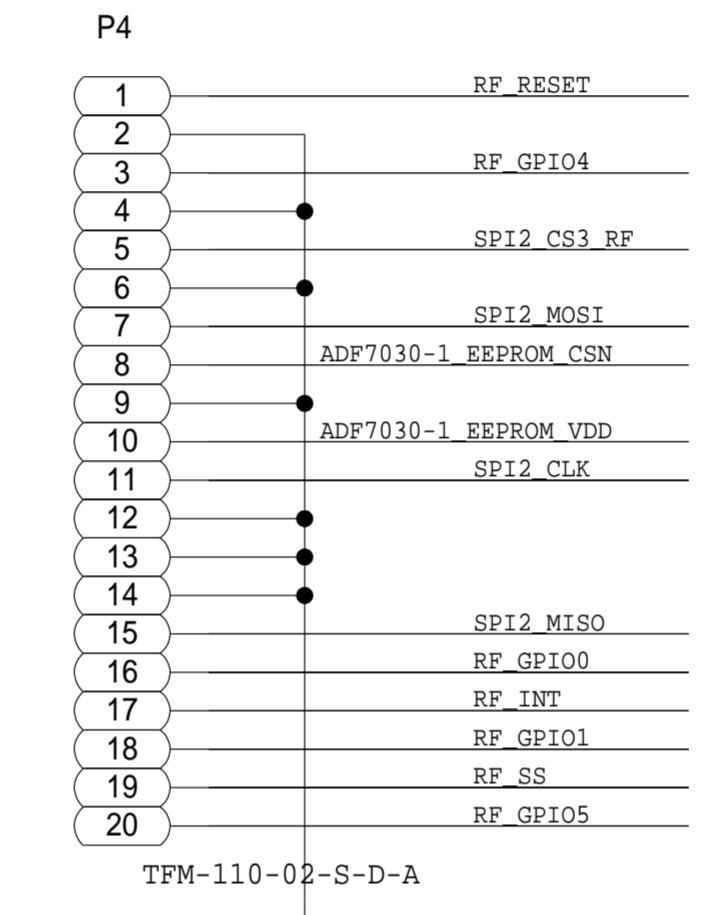
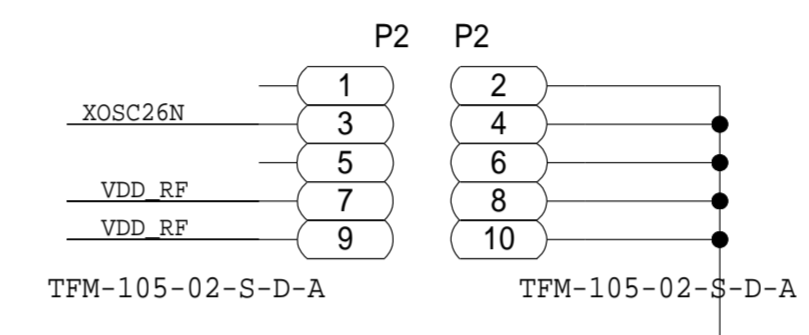
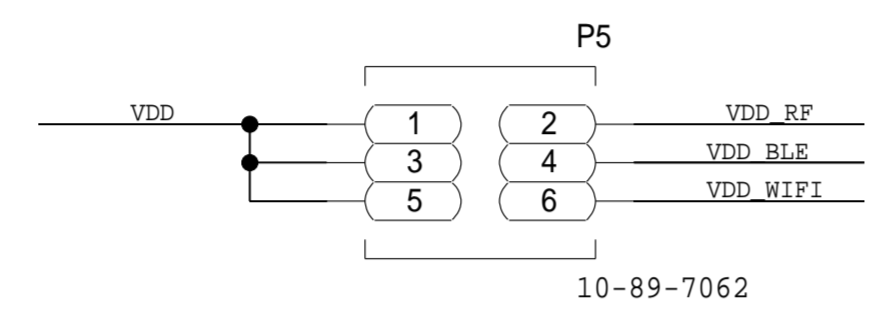
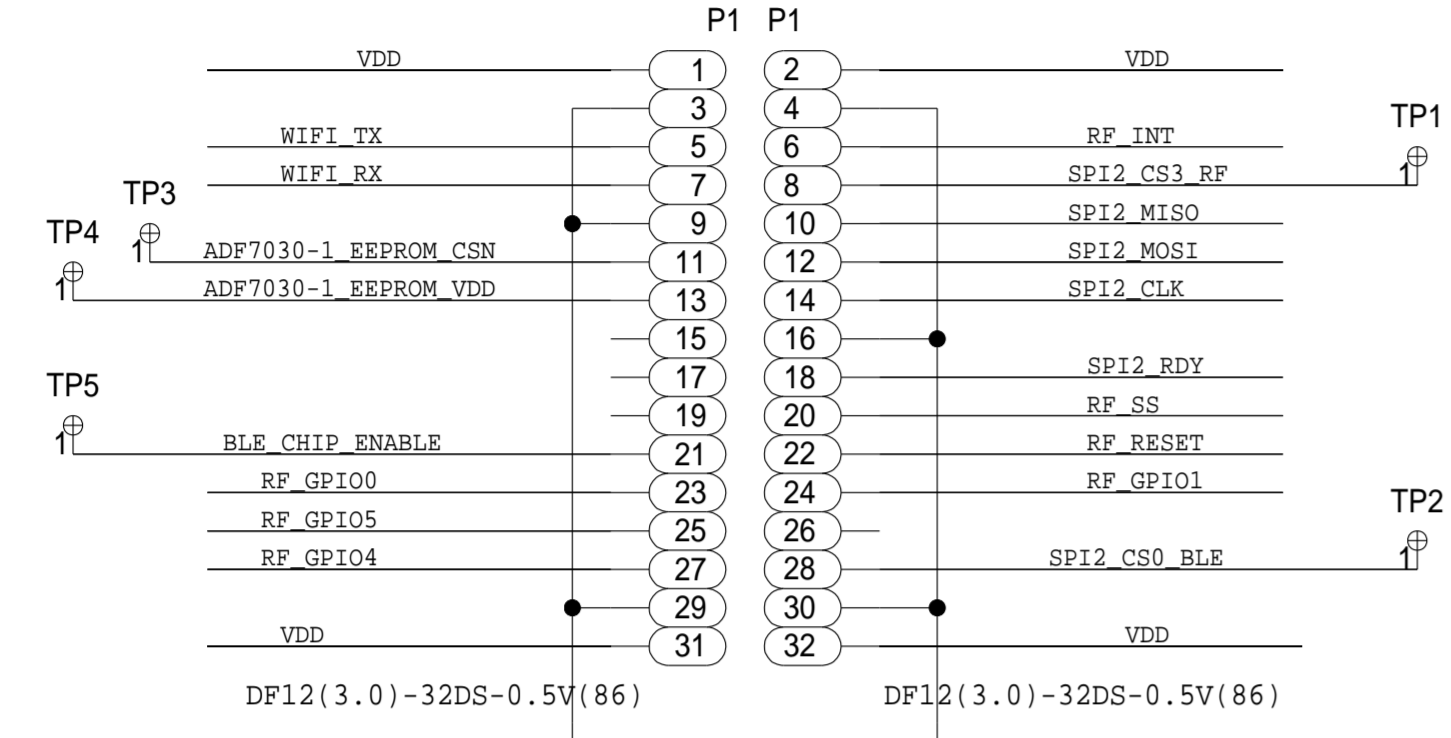
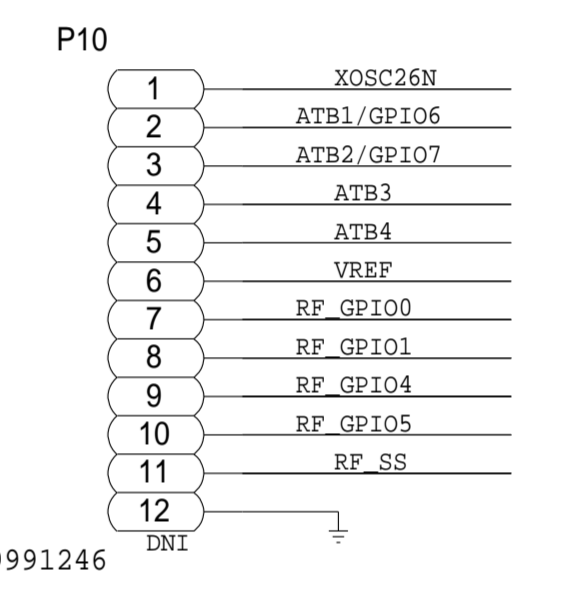


| REVISIONS | | | |
|-----------|-------------|------|----------|
| REV | DESCRIPTION | DATE | APPROVED |
| | | | |

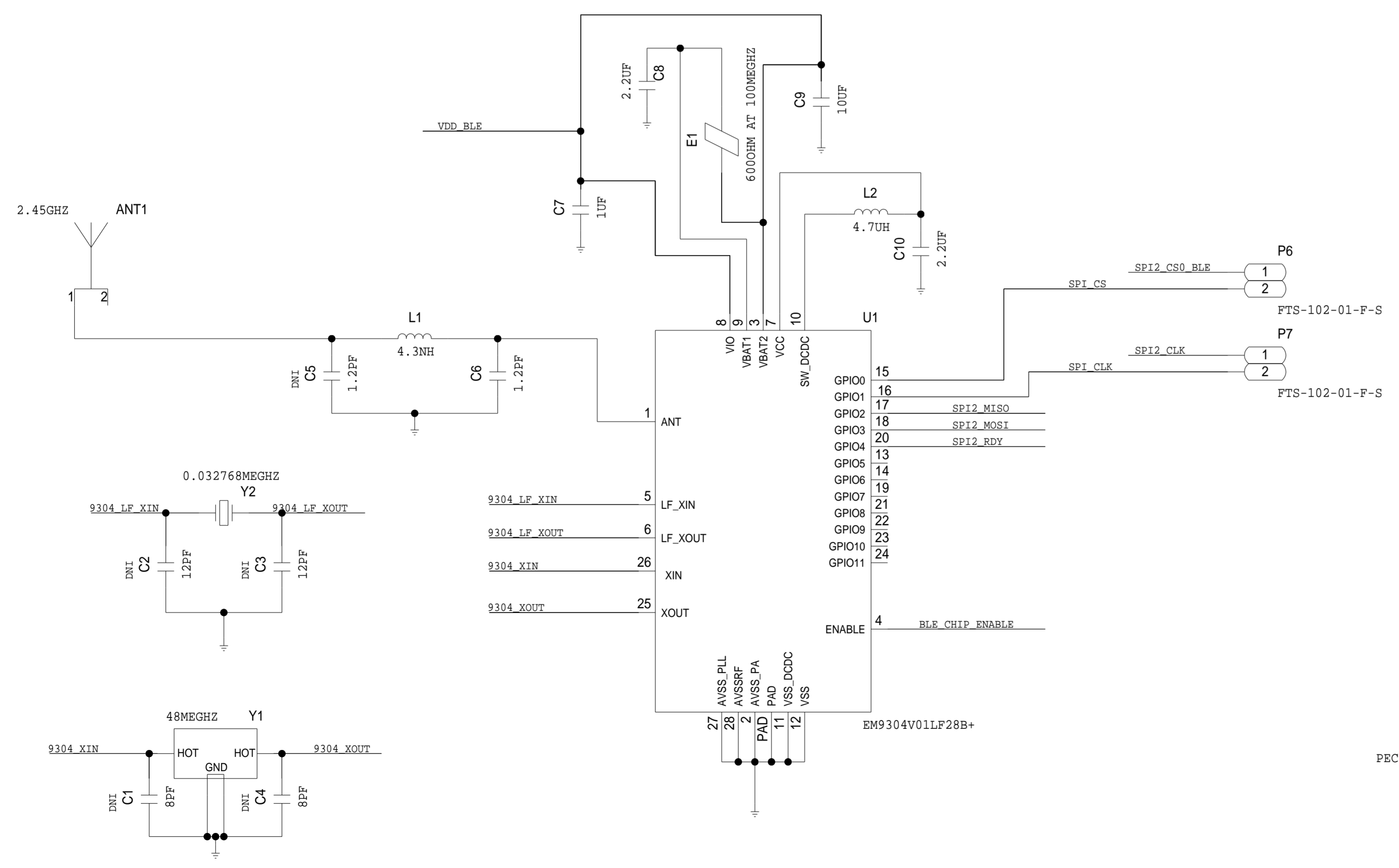
ADF7XXX CONNECTORS



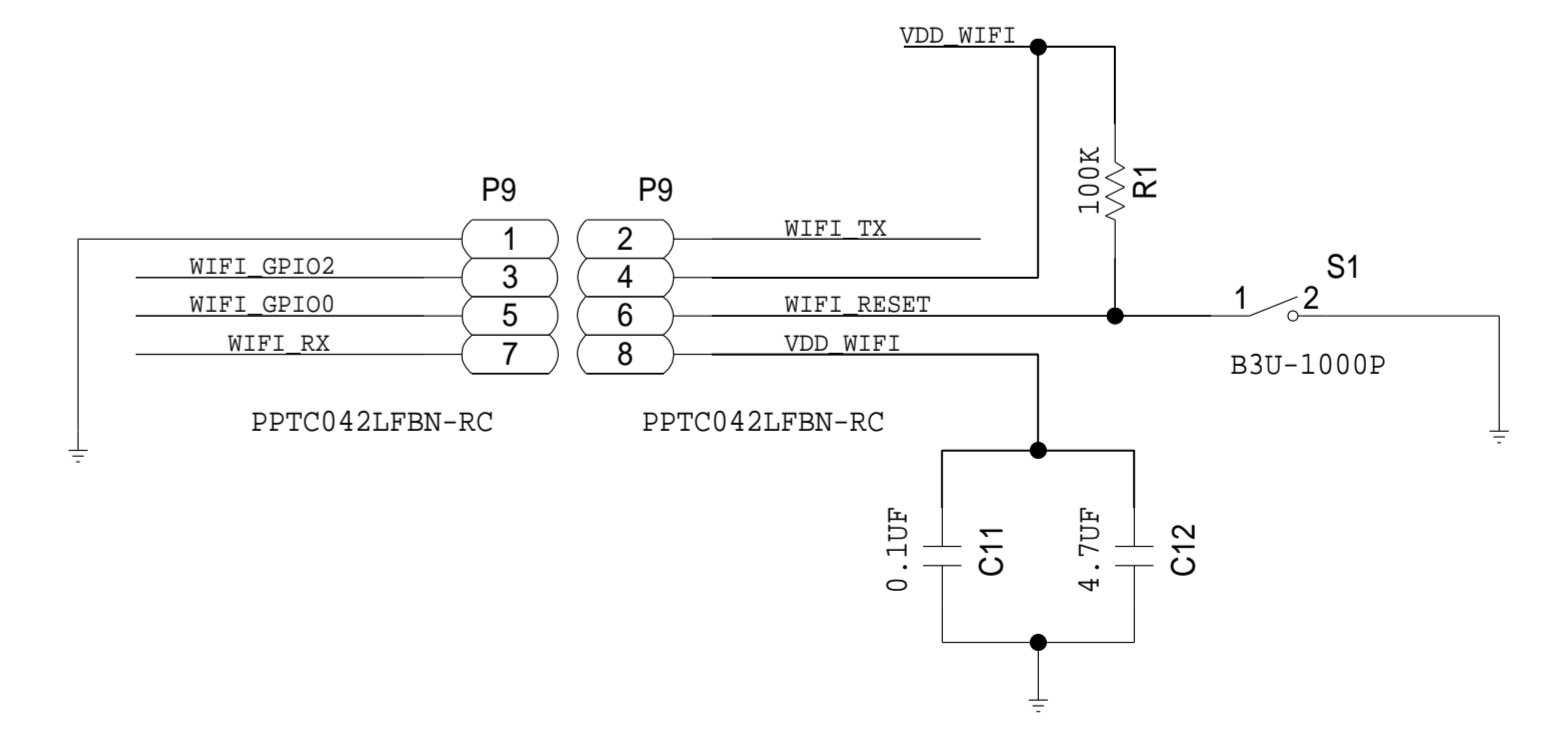
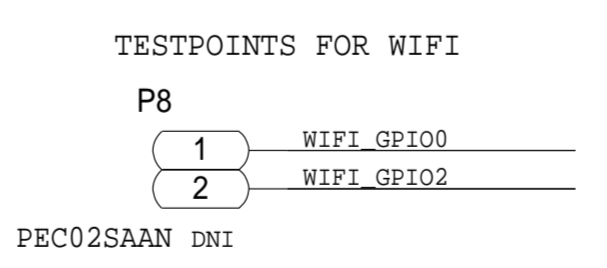
TESTPOINTS FOR ADF7XXX



EM9304 BLE



ESP8266 (WRL-13678) WIFI MODULE CONNECTOR



| SCHEMATIC | | | |
|------------------|-------------------------------|---------------|-----------------------|
| | HW TYPE : Customer Evaluation | DESIGN VIEW | DRAWING NO. 02_046704 |
| | Product(s) : N/A | <DESIGN_VIEW> | REV A |
| P-SPEC : C-04207 | PTD ENGINEER R JAYARAMAN | SIZE D | SCALE 1:1 |
| SHEET 2 OF 2 | | | |