

1

2

3

4

A

A

B

B

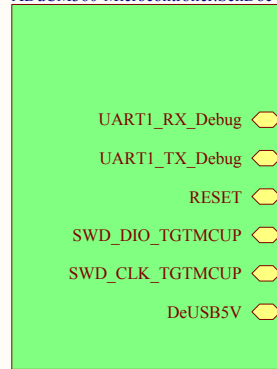
C

C

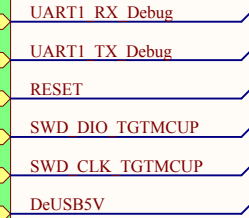
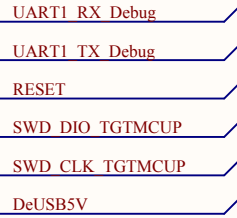
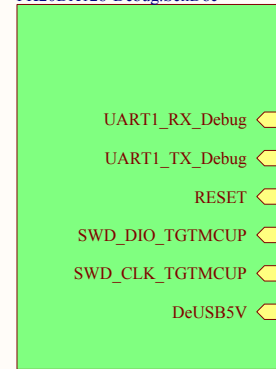
D

D

Baseboard
ADuCM360-Microcontroller.SchDoc



Debug
PK20DX128-Debug.SchDoc



COMPANY:		Analog Devices, Inc.		
PROJECT TITLE:		EVAL-ADUCM360-ARDZ		
DRAWN:	DATED:	SIZE:	SCHEMATIC TITLE:	REV:
RELEASED:	DATED:	A4	EVAL-ADUCM360-Block-Diagram	1.0
SCALE: 1:1				SHEET: 1 OF 3

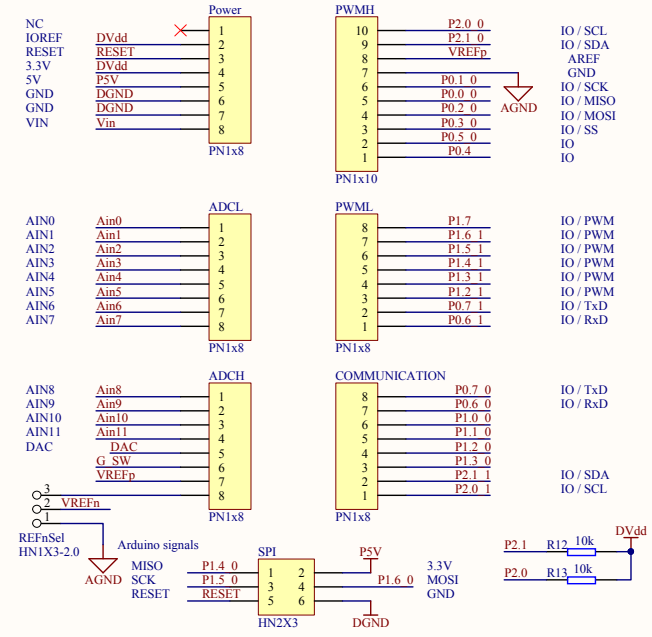
1

2

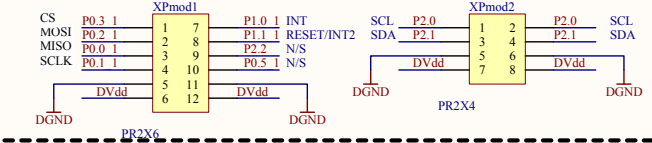
3

4

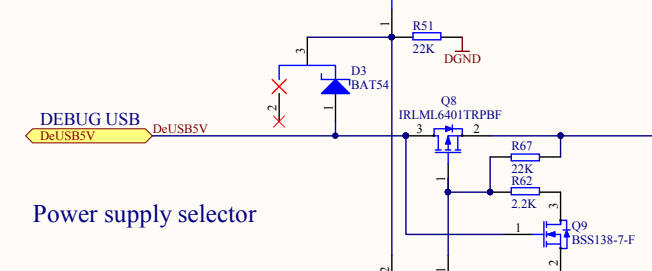
Arduino I/O Connectors



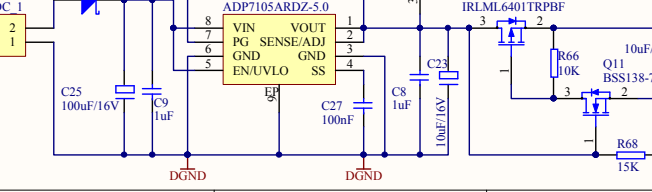
Pmod connectors



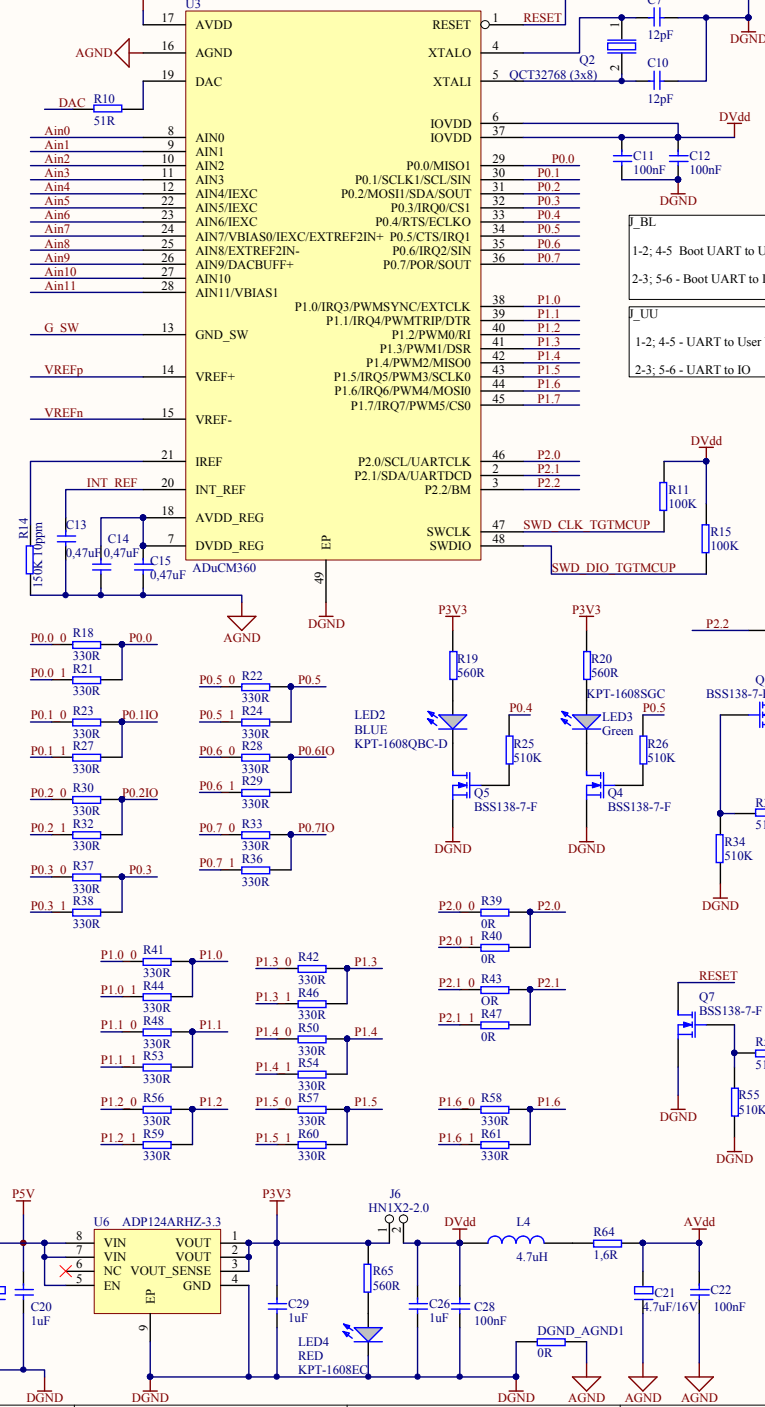
USER USB



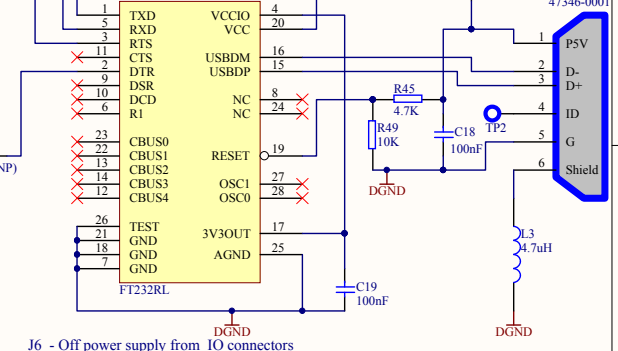
Power supply selector



Microcontroller



USER USB port



COMPANY:		Analog Devices, Inc.	
PROJECT TITLE:		EVAL-ADUCM360-ARDZ	
DRAWN:	DATED:	SIZE:	SCHEMATIC TITLE:
RELEASED:	DATED:	A3	ADuCM360-Microcontroller
SCALE: 1:1		REV: 1.0	
SHEET: 2		OF 3	

