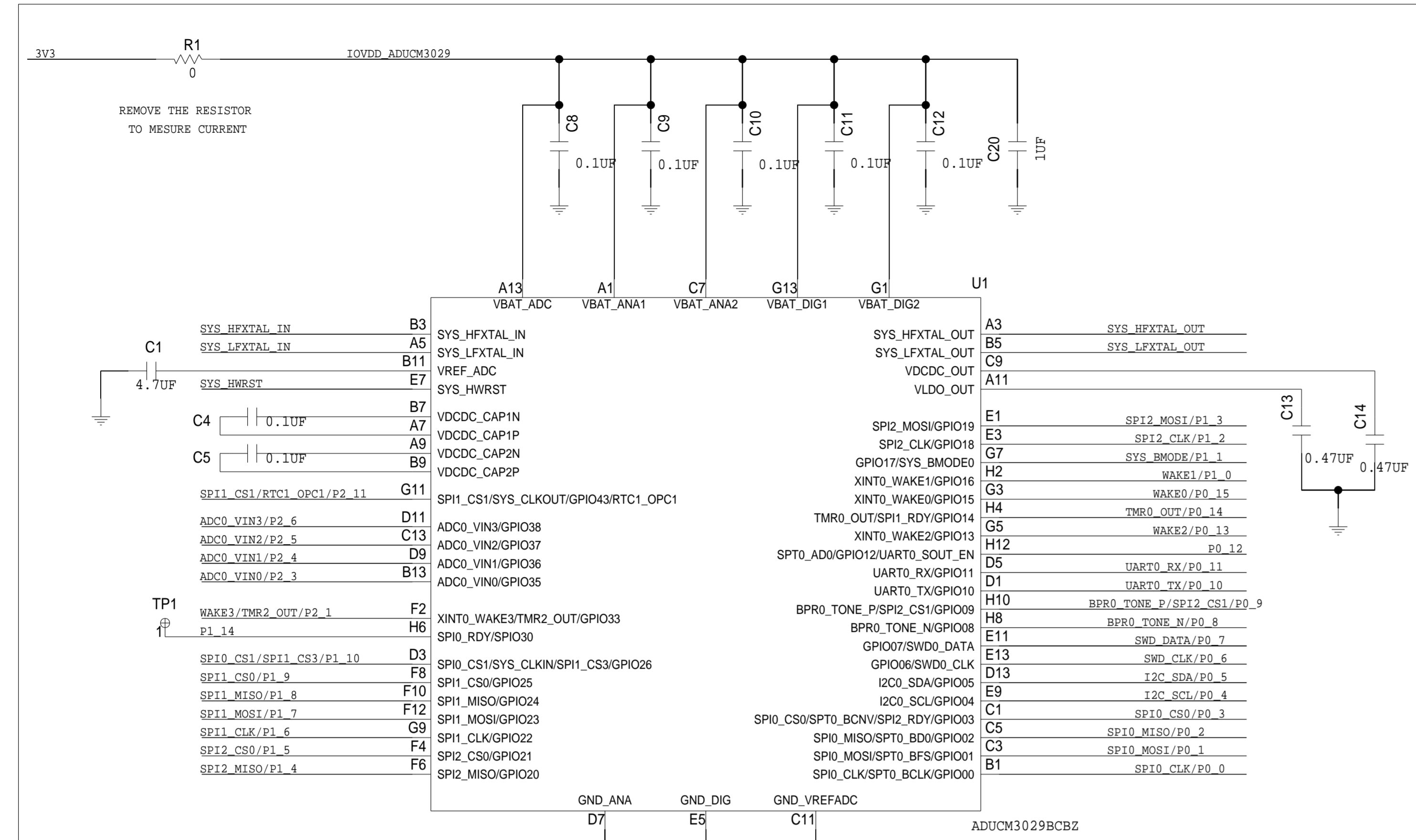
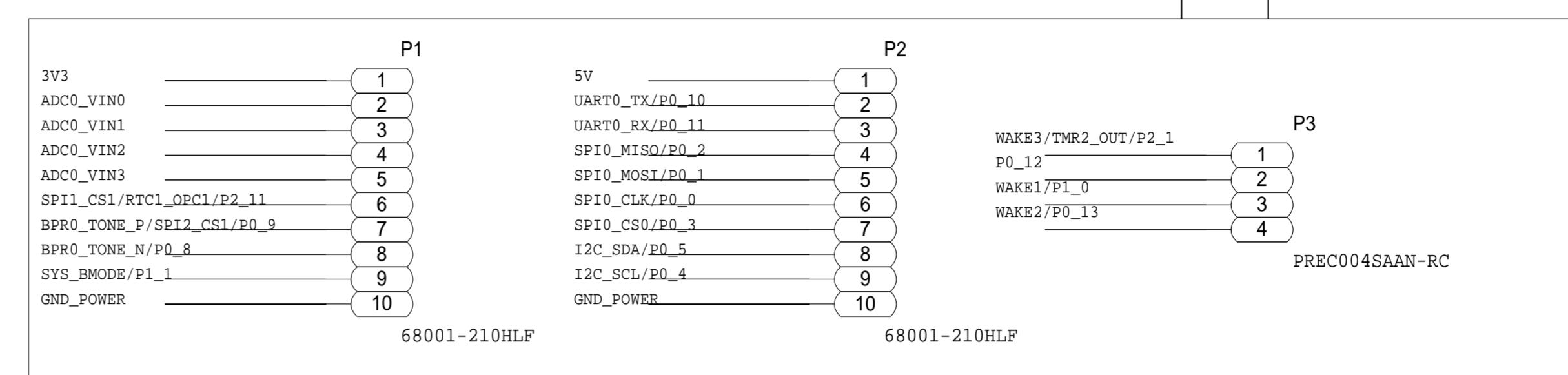


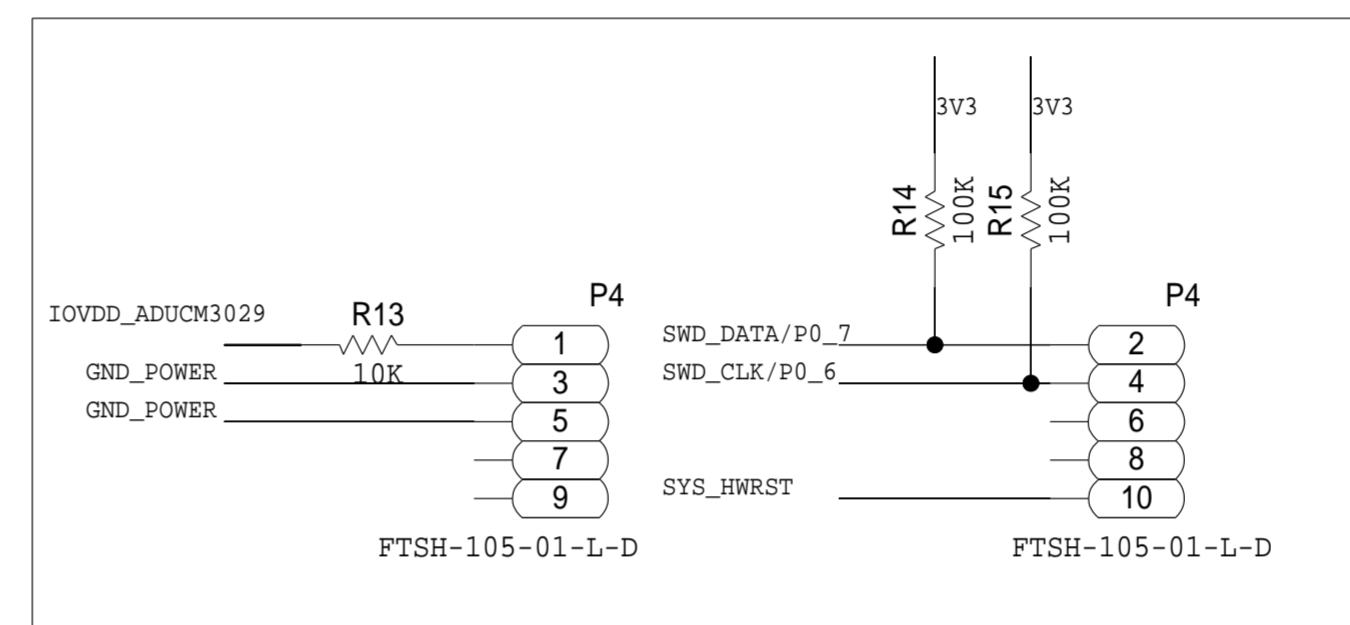
ADUCM3029



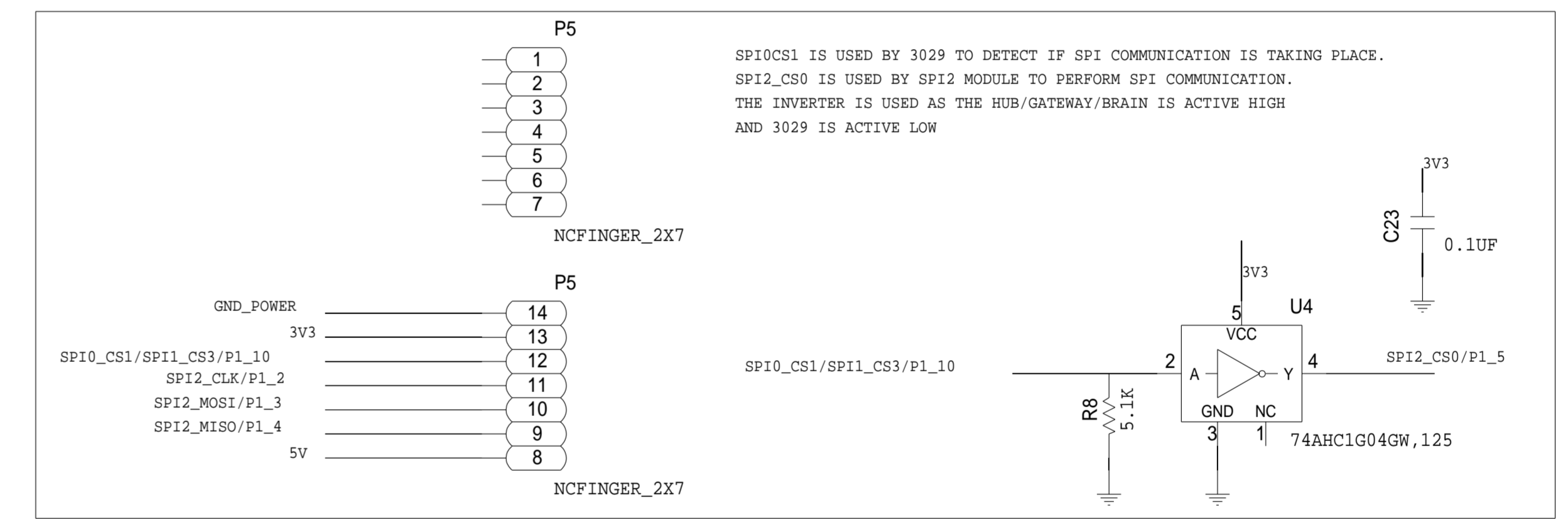
EVAL HEADERS



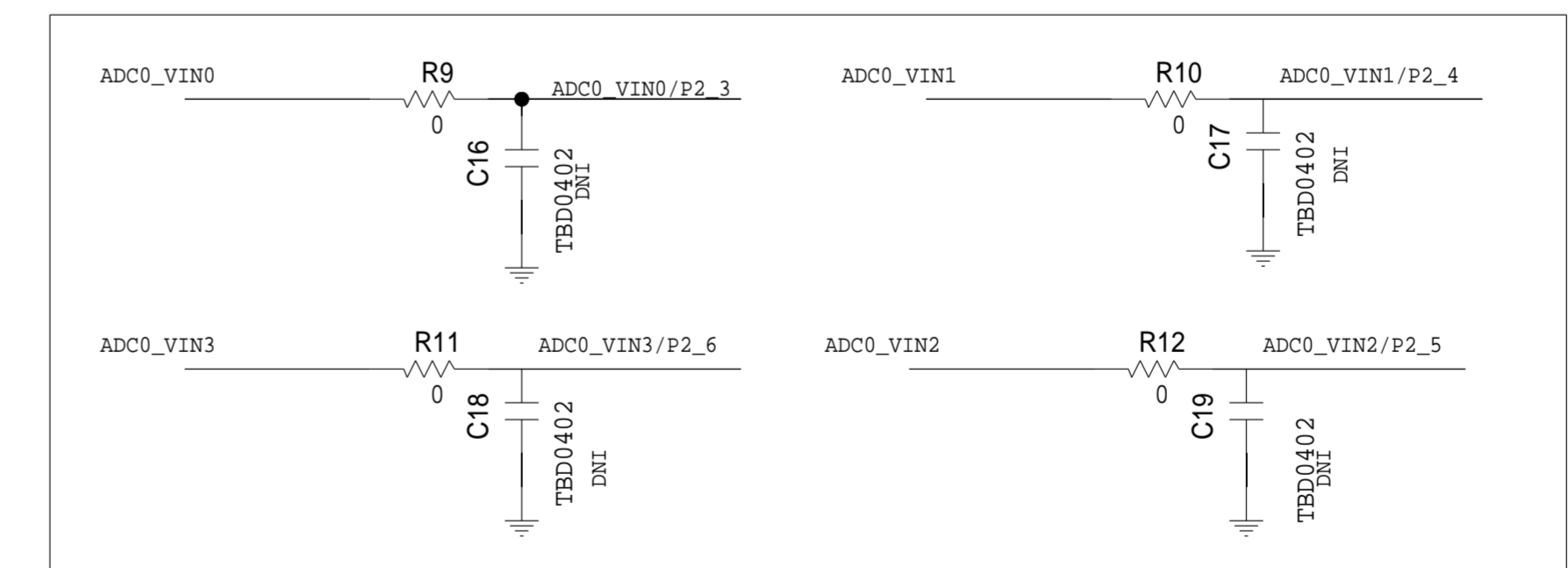
DEBUG CONNECTOR



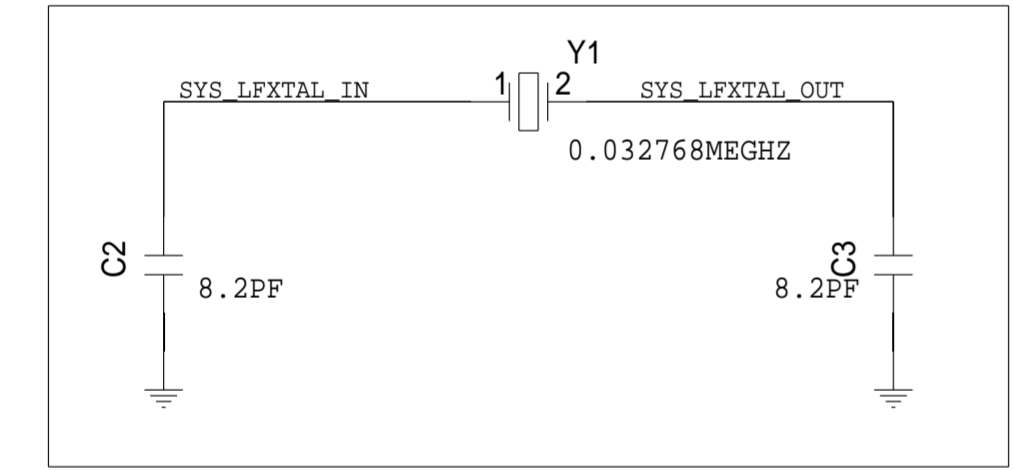
NEXPAQ CONNECTOR AND CS INVERTER



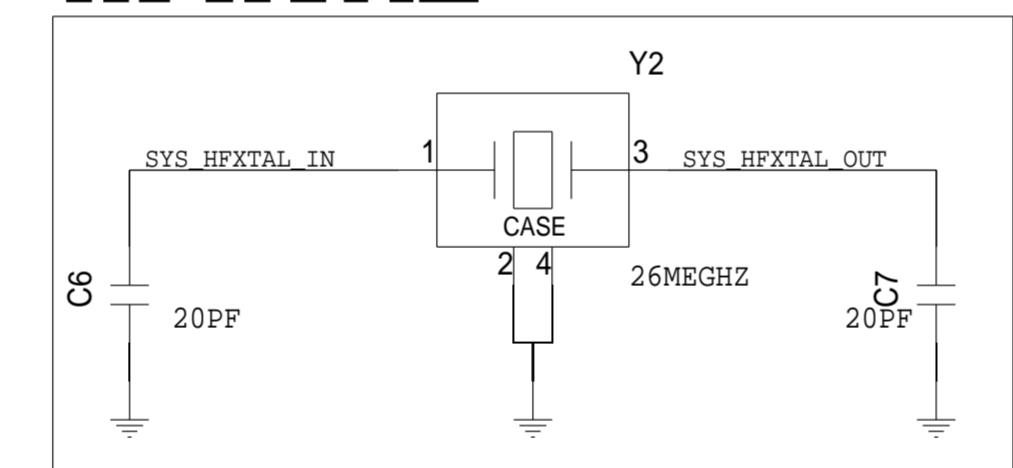
ADC FILTER



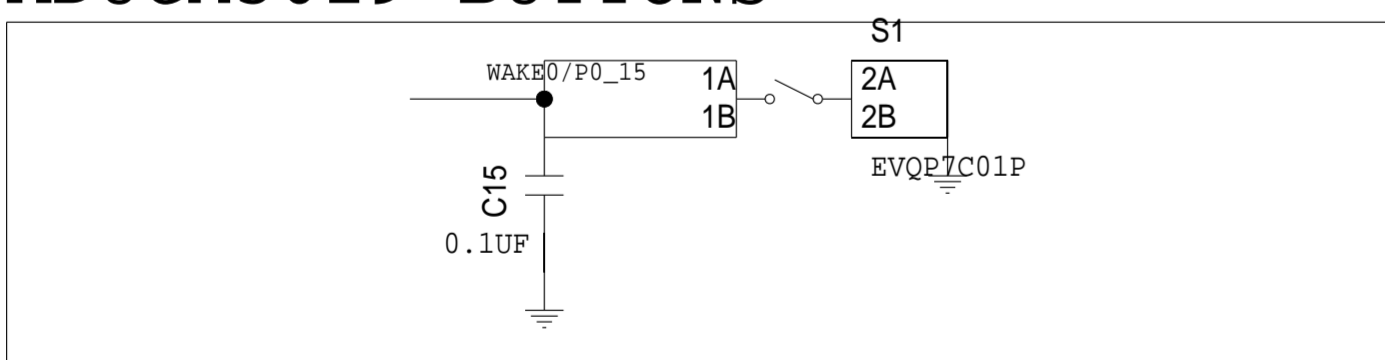
LFXTAL



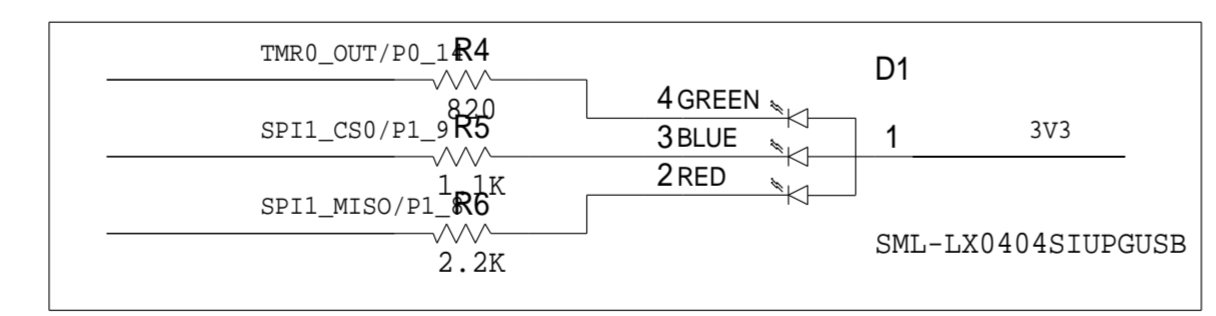
HFXTAL



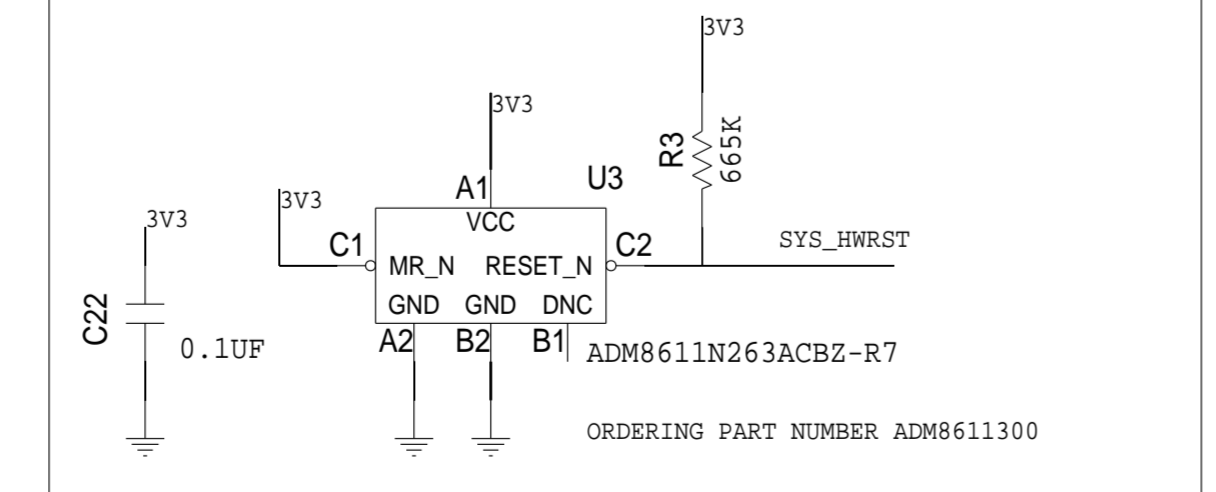
ADUCM3029 BUTTONS



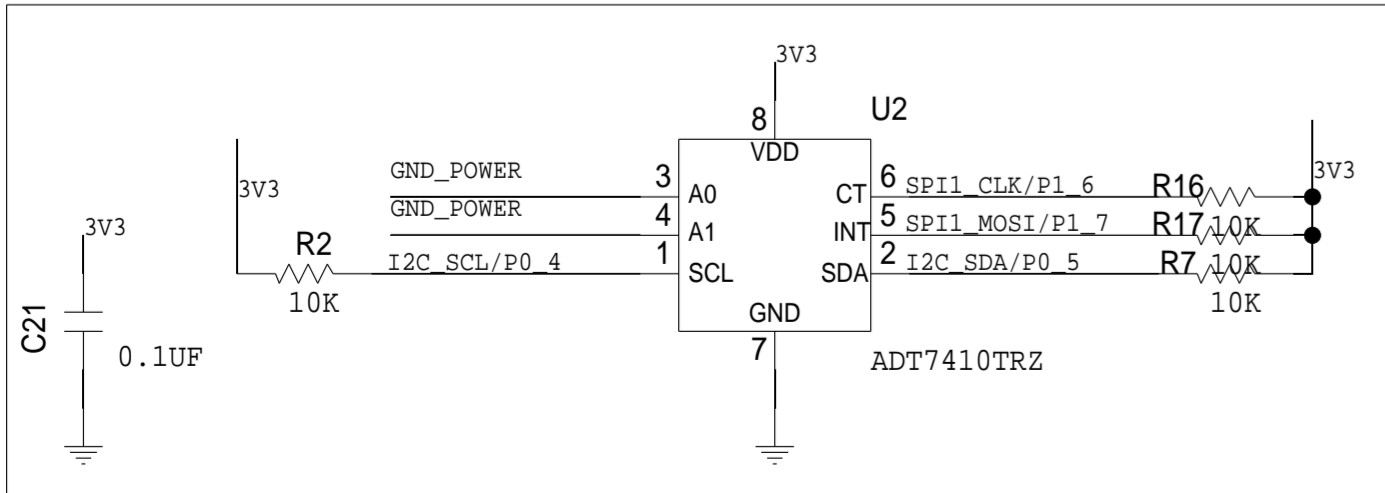
LED RGB



BROWN-OUT DETECTOR



I2C TEMP SENSOR



	SCHEMATIC			
	HW TYPE : Customer Evaluation Z			
	Product(s) : Nexpaq_Glue_Micro_Dev_Board			
	: Nexpaq, ADUCM3029			
DESIGN VIEW <DESIGN_VIEW>	DRAWING NO. 02_046783	REV B		
PTD ENGINEER A. YADAV	SIZE D	SCALE 1:1	SHEET 2	OF 2