

8 7 6 5 4 3 2 1

THIS DRAWING IS THE PROPERTY OF ANALOG DEVICES INC. IT IS NOT TO BE REPRODUCED OR COPIED, IN WHOLE OR IN PART, OR USED IN FURNISHING INFORMATION TO OTHERS, OR FOR ANY OTHER PURPOSE DETRIMENTAL TO THE INTERESTS OF ANALOG DEVICES. THE EQUIPMENT SHOWN HEREON MAY BE PROTECTED BY PATENTS OWNED OR CONTROLLED BY ANALOG DEVICES.

JUMPER TABLE

JP#	ON	OFF
1		
2		
3		
4		
5		

REVISIONS

REV	DESCRIPTION	DATE	APPROVED
A	INITIAL RELEASE	AUG-2015	B. BUSHEY
B	AS PER ECR-056648	SEP-2015	B. BUSHEY
C	AS PER ECR-057019	OCT-2015	B. BUSHEY

RELAY CONTROL CHART

CONTROL	CODE	DEVICE	FUNCTION	CONNECTOR

* SEE ASSEMBLY INSTRUCTIONS

REV B CHANGES:
 S3 PIN 4 TO S4 PIN 3
 S3 PIN 1 TO S4 PIN 6
 R69 = 51K (DNI)
 R45 = 51K (DNI)

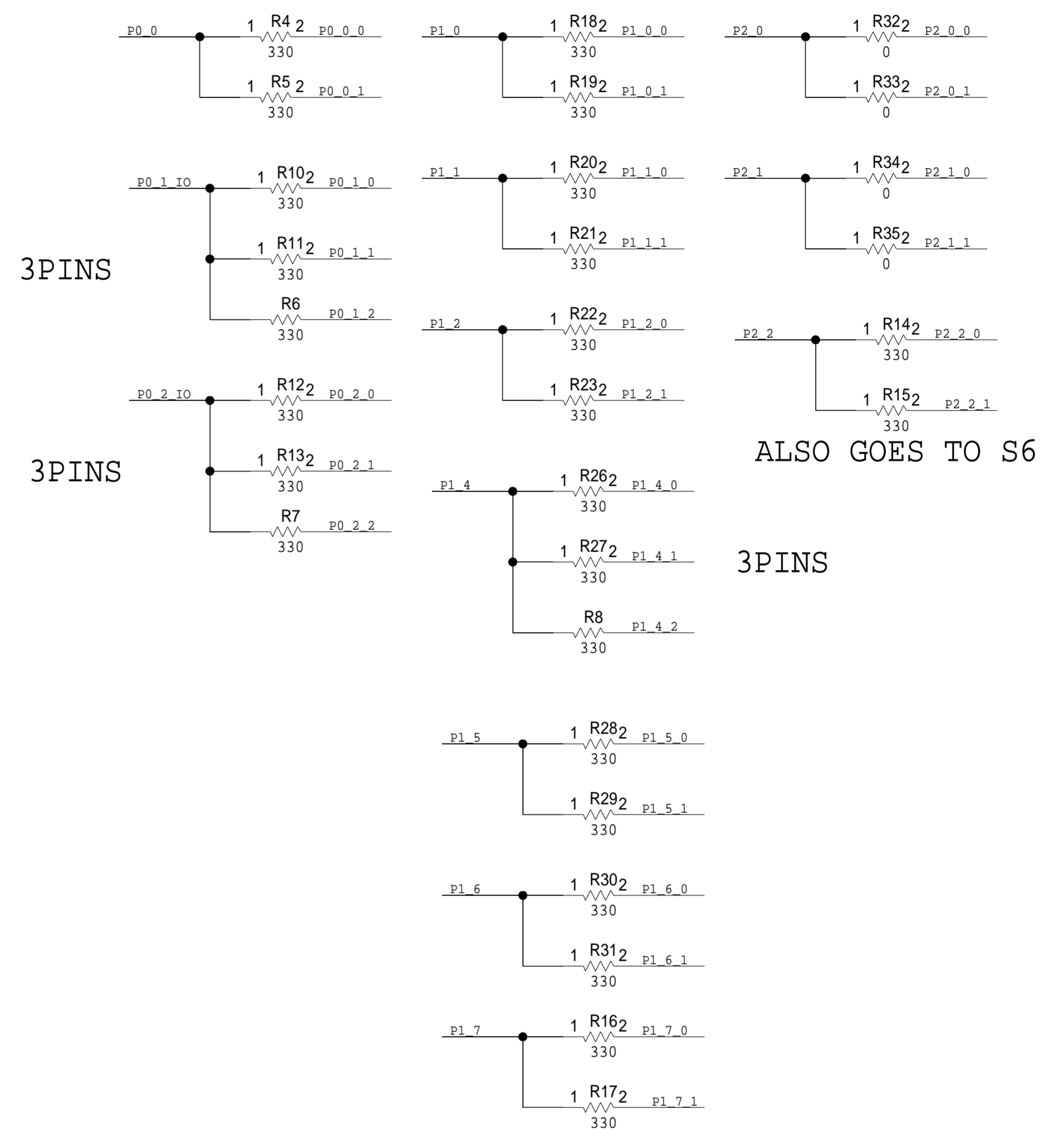
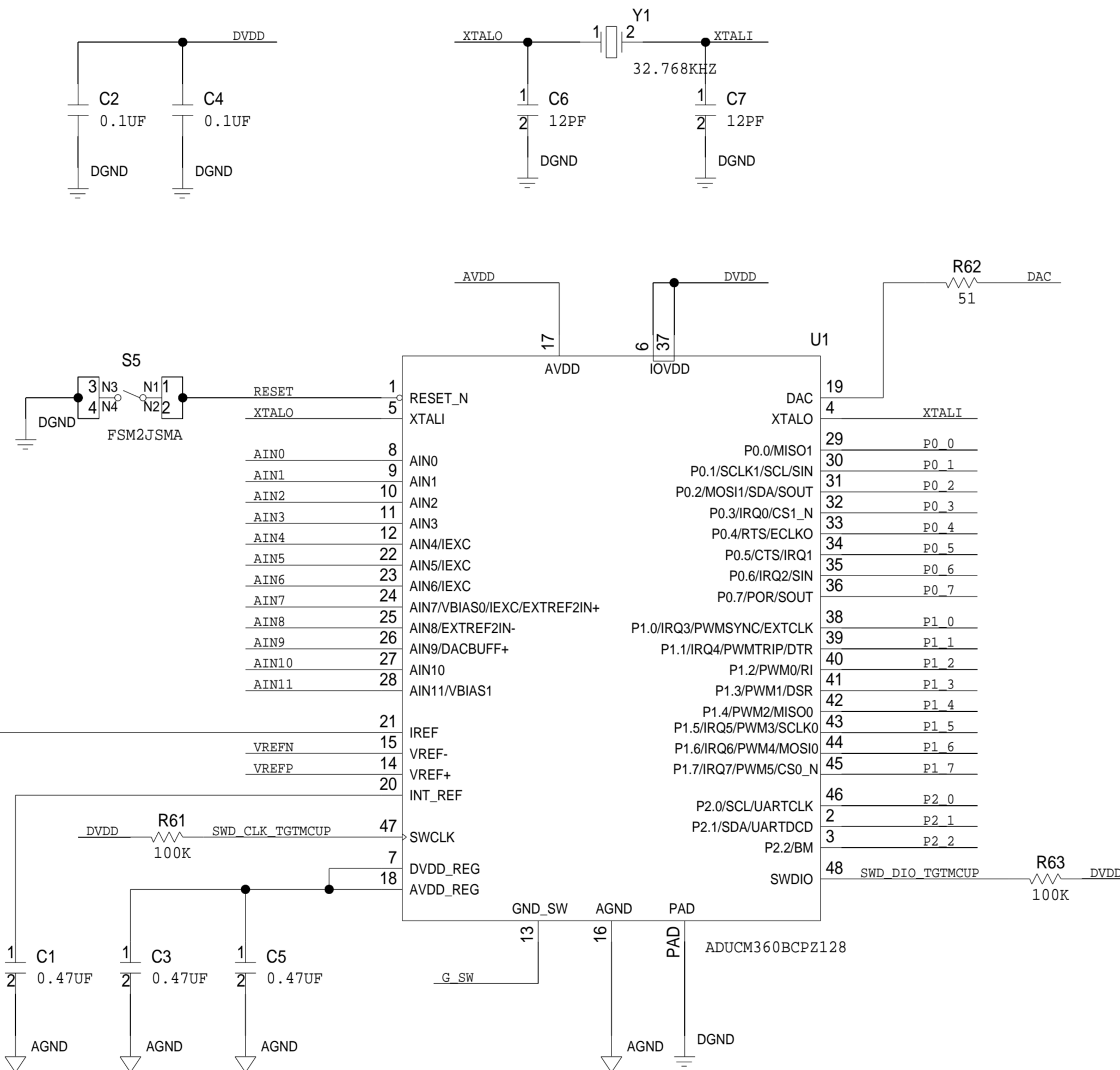
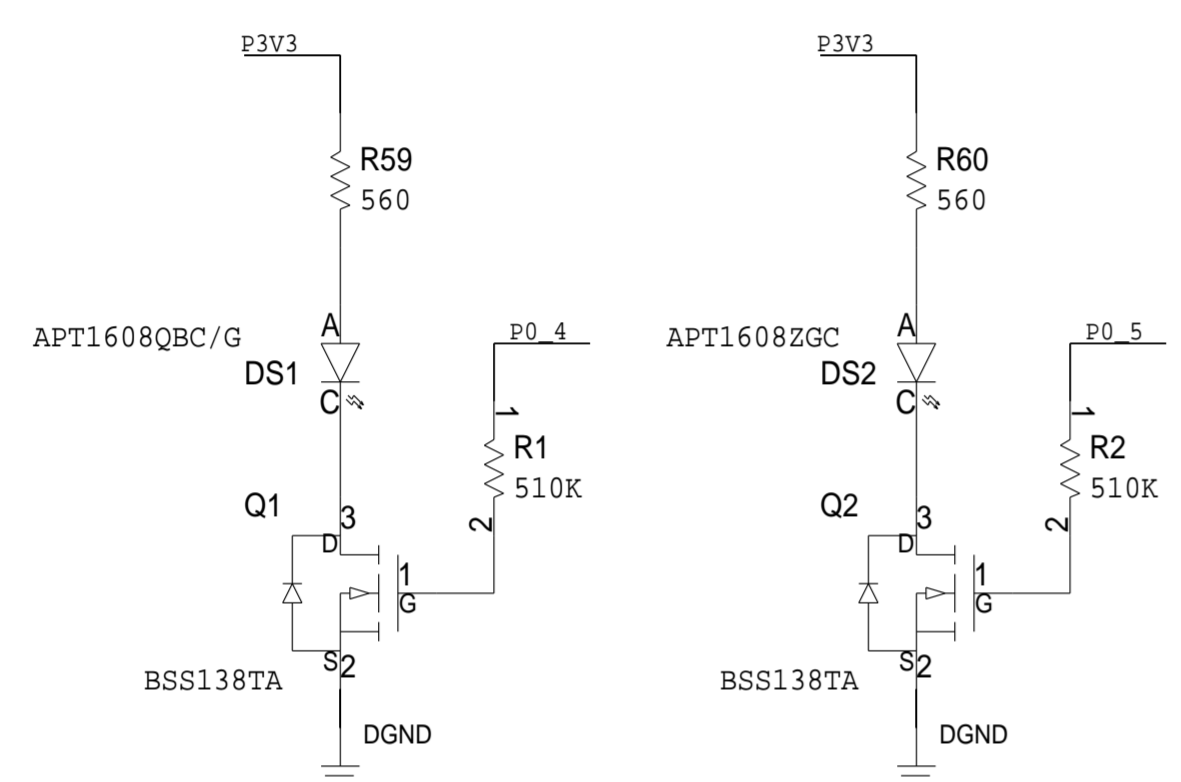
 CHANGED P6 TO TSW-103-08-G-D
 CHANGED DS3 TOAPT1608ZGC
 CHANGED DS4 SML-511DWT86

P.O SPEC.	BK/BD SPEC.	SOCKET OEM	OEM PART#	HANDLER

TEMPLATE ENGINEER -	DATE	<h1>SCHEMATIC</h1>		
HARDWARE SERVICES -				
HARDWARE SYSTEMS -				
TEST ENGINEER -				
COMPONENT ENGINEER -		HW TYPE : Customer Evaluation Z Product(s): ADUCM360 : N/A PACKAGE : N/A-lead N/A N/A-family : Pitch-pitch StyleVendor Style <User Define> <User Define> <User Define>		
TEST PROCESS -		MASTER PROJECT TEMPLATE M. JOSE AUG-2015 TBD		TESTER TEMPLATE no_template
HARDWARE RELEASE -		DRAWING NO. 02_041373		REV. C
DESIGNER M. JOSE	AUG-2015	UNLESS OTHERWISE SPECIFIED DIMENSIONS ARE IN INCHES TOLERANCES DECIMALS X.XX +0.010 FRACTIONS +1/32 ANGLES +2		
PTD ENGINEER B. BUSHEY	AUG-2015	SIZE D	SCALE 1:1	CODE ID NO. CodeID
CHECKER -		SHEET 1	OF 6	

8 7 6 5 4 3 2 1

REVISIONS			
REV	DESCRIPTION	DATE	APPROVED



3PINS

3PINS

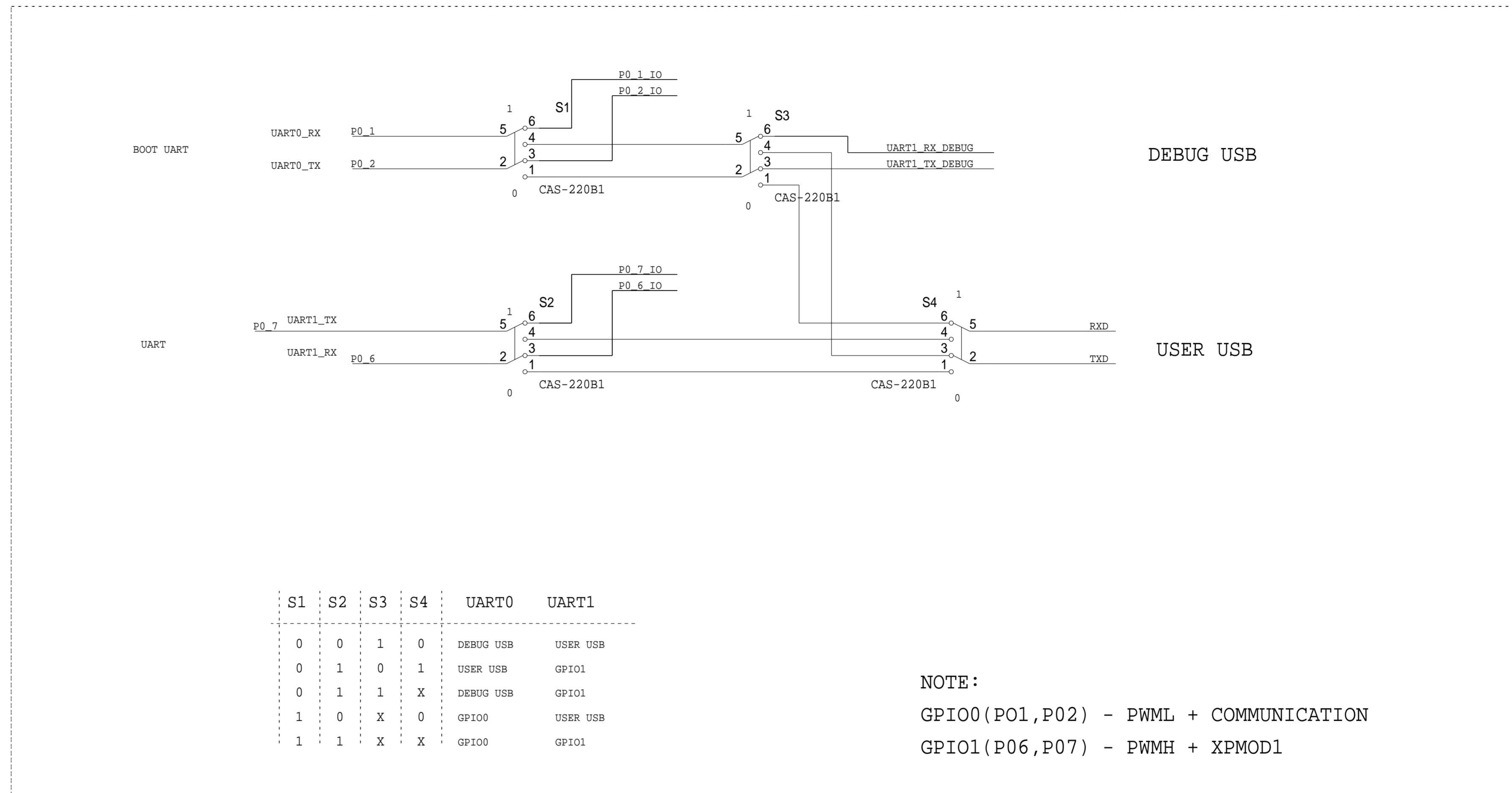
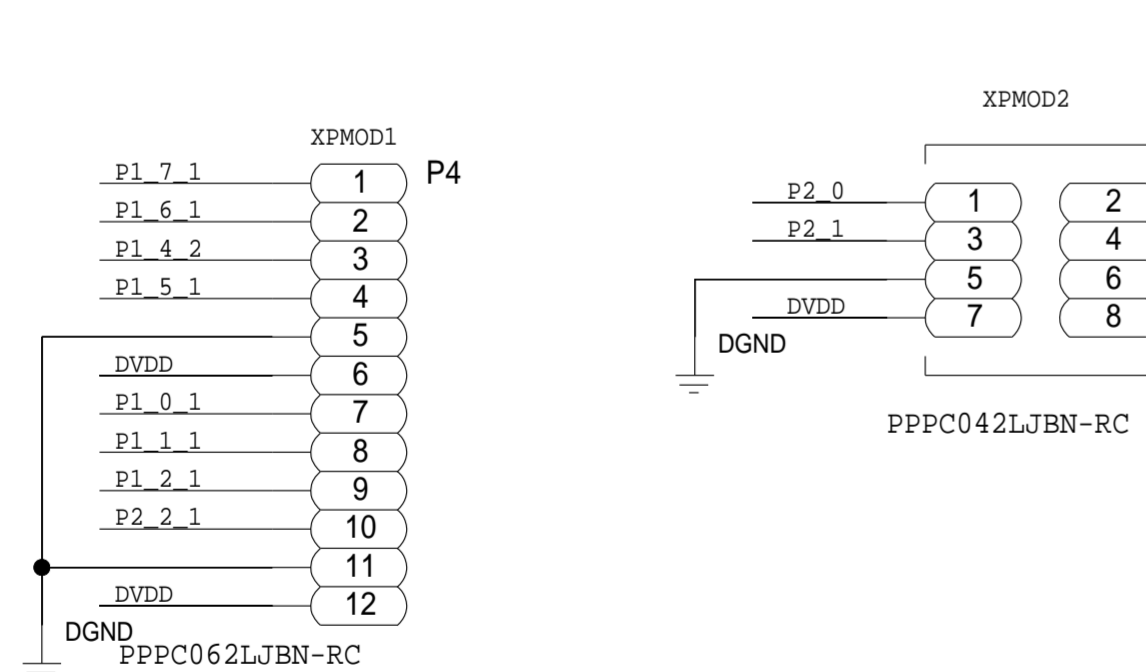
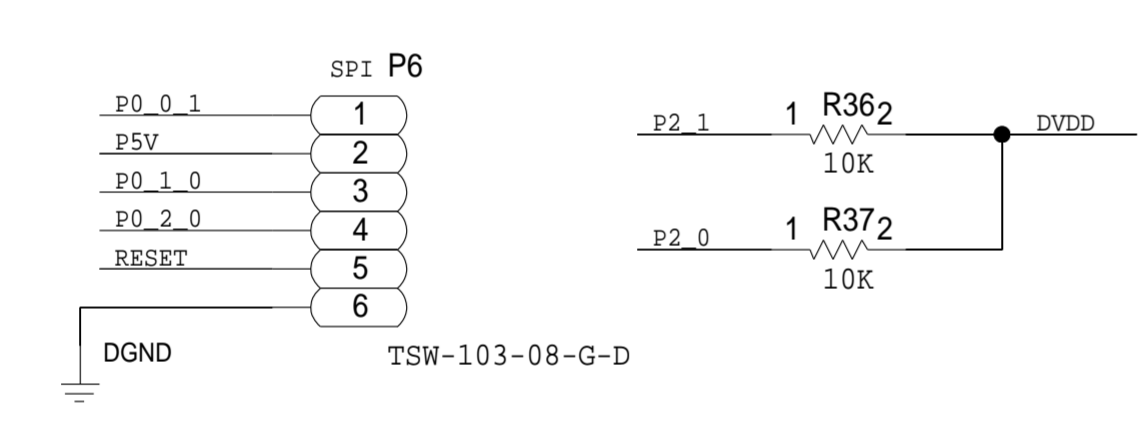
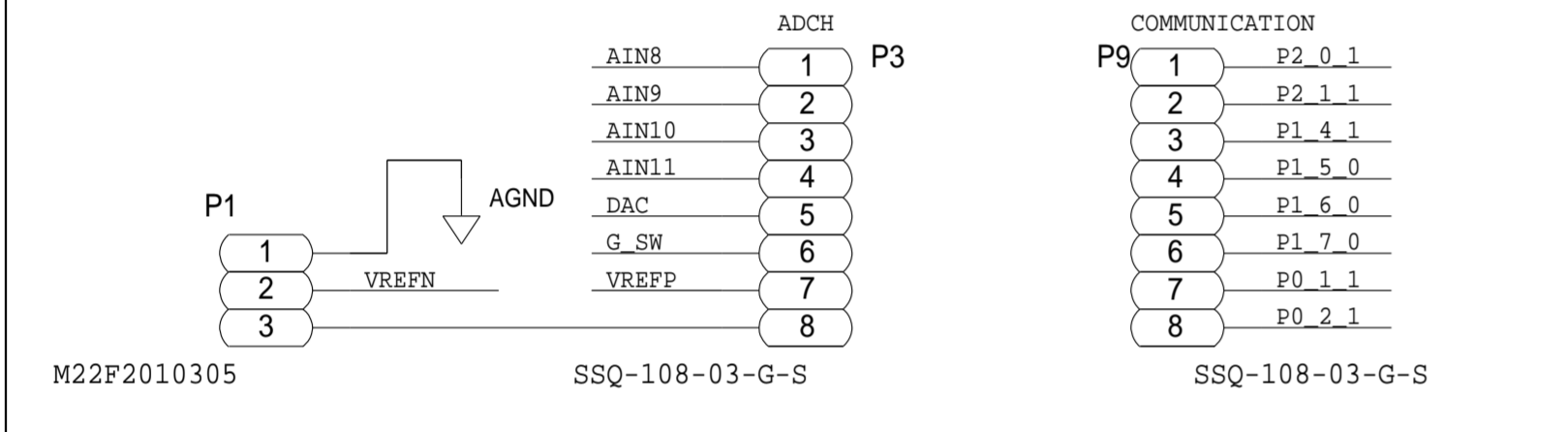
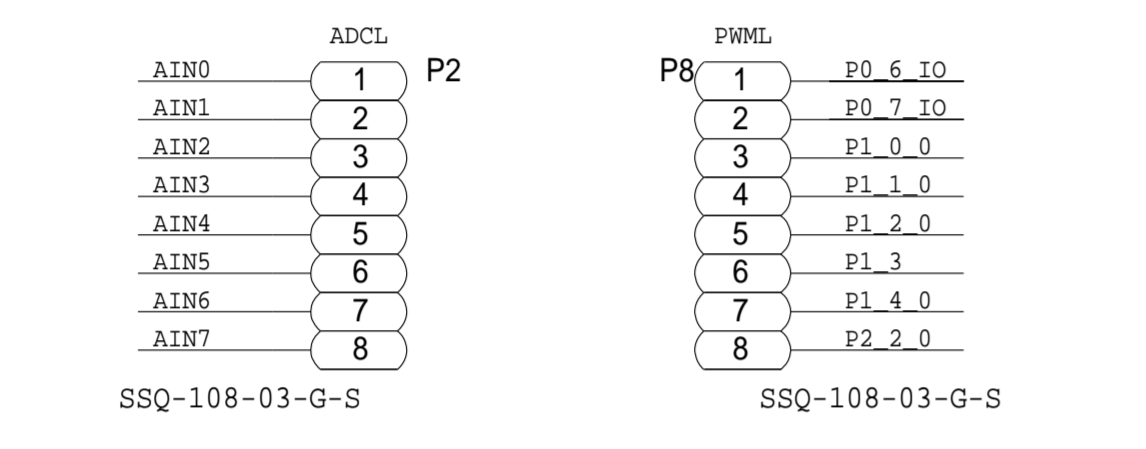
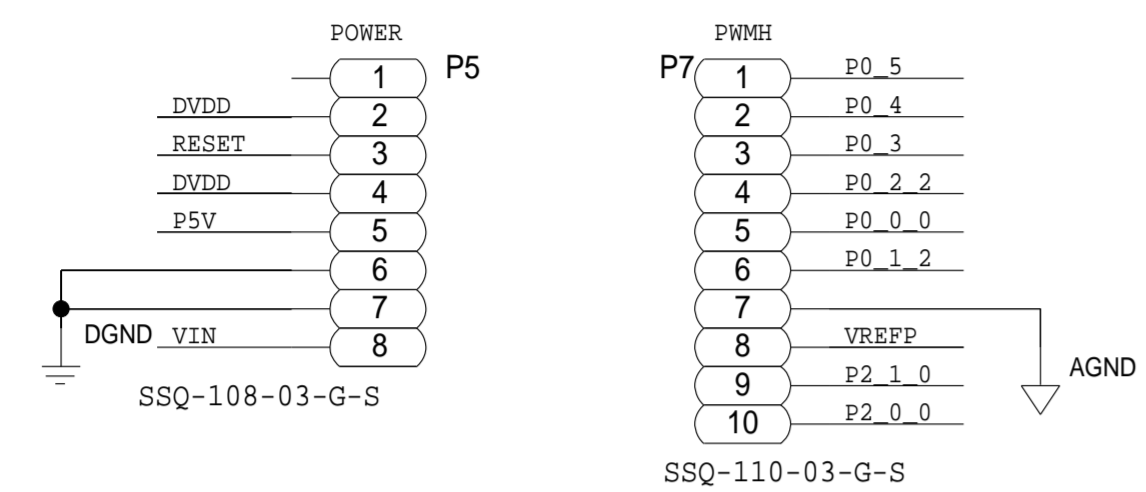
ALSO GOES TO S6

3PINS

	SCHEMATIC		
	HW TYPE : Customer Evaluation Z Product(s): ADUCM360 : N/A		
	DESIGN VIEW <DESIGN_VIEW>	DRAWING NO. 02_041373	REV C
	PTD ENGINEER B. BUSHEY	SIZE D	SCALE 1:1

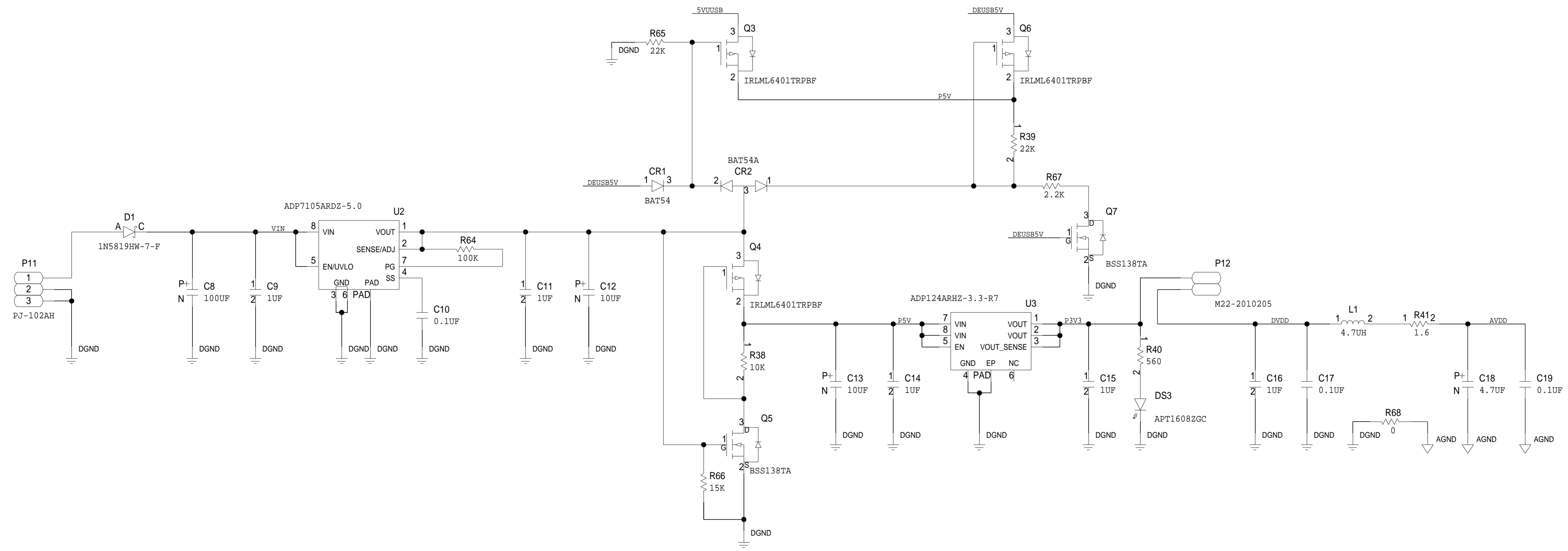
THIS DRAWING IS THE PROPERTY OF ANALOG DEVICES INC. IT IS NOT TO BE REPRODUCED OR COPIED, IN WHOLE OR IN PART, OR USED IN ANY MANNER FOR THE PURPOSES OF REPRODUCING INFORMATION TO OTHERS, OR FOR ANY OTHER PURPOSES DETRIMENTAL TO THE INTERESTS OF ANALOG DEVICES. THE EQUIPMENT SHOWN HEREON MAY BE PROTECTED BY PATENTS OWNED OR CONTROLLED BY ANALOG DEVICES.

REVISIONS			
REV	DESCRIPTION	DATE	APPROVED



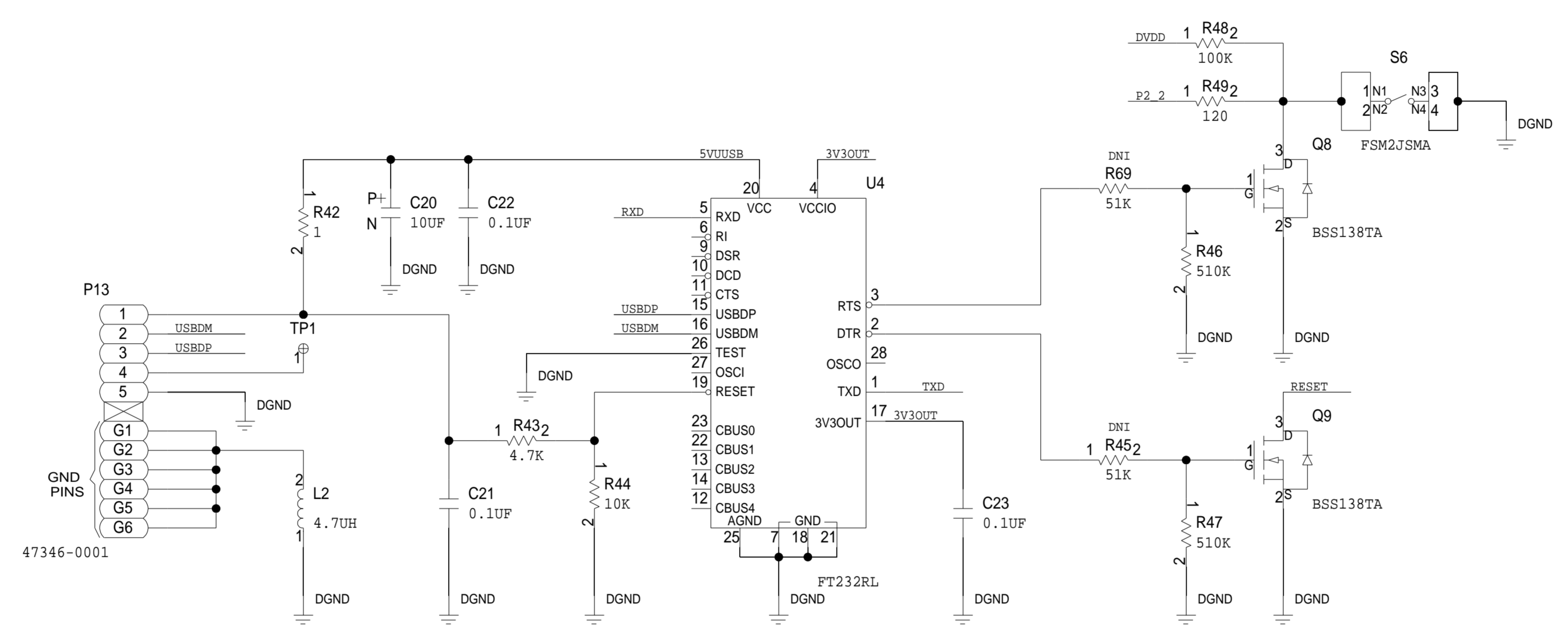
	SCHEMATIC		
	HW TYPE : Customer Evaluation Z Product(s): ADUCM360 : N/A		
DESIGN VIEW <DESIGN_VIEW>	DRAWING NO. 02_041373	REV C	
PTD ENGINEER B. BUSHEY	SIZE D	SCALE 1:1	SHEET 3 OF 6

REVISIONS			
REV	DESCRIPTION	DATE	APPROVED



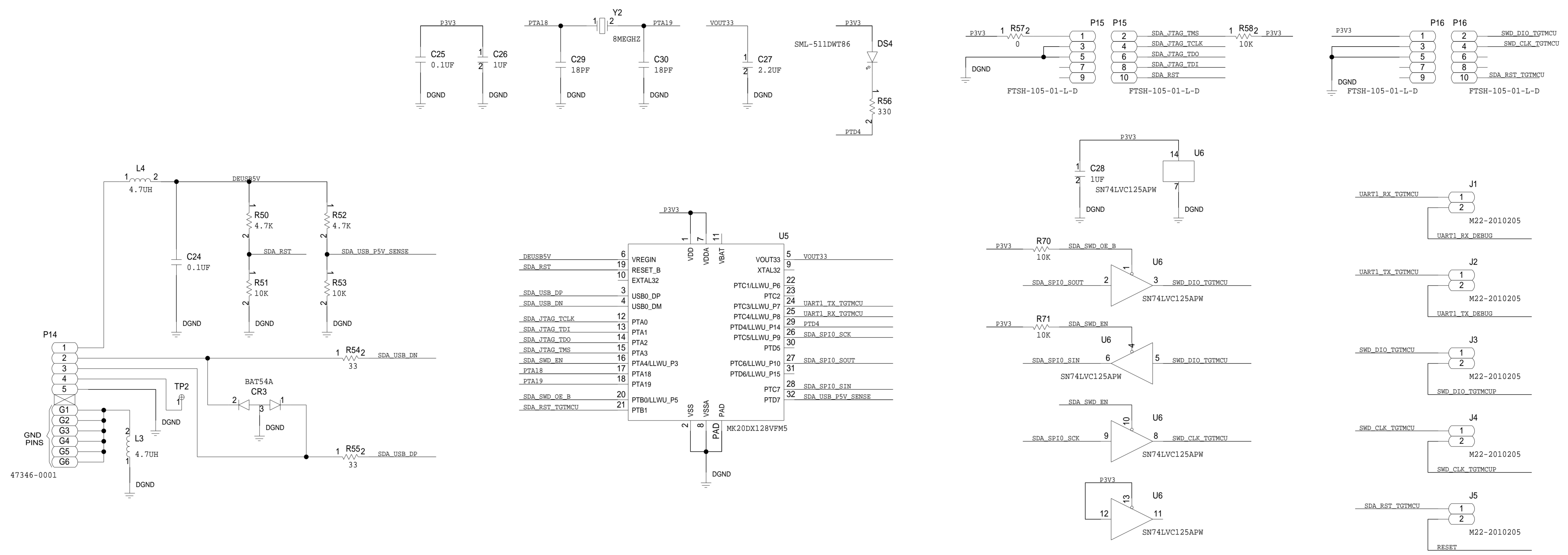
	SCHEMATIC		
	HW TYPE : Customer Evaluation Z Product(s) : ADUCM360 : N/A		
	DESIGN VIEW <DESIGN_VIEW>	DRAWING NO. 02_041373	REV C
	PTD ENGINEER B. BUSHEY	SIZE D	SCALE 1:1
		SHEET 4 OF 6	

REVISIONS			
REV	DESCRIPTION	DATE	APPROVED



	SCHEMATIC		
	HW TYPE : Customer Evaluation Z Product(s): ADUCM360 : N/A		
	DESIGN VIEW <DESIGN_VIEW>	DRAWING NO. 02_041373	REV C
	PTD ENGINEER B. BUSHEY	SIZE D	SCALE 1:1
		SHEET 5 OF 6	

REVISIONS			
REV	DESCRIPTION	DATE	APPROVED



ANALOG DEVICES				SCHEMATIC			
HW TYPE : Customer Evaluation Z		Product(s) : ADUCM360		DESIGN VIEW : <DESIGN_VIEW>		DRAWING NO. : 02_041373	
PTD ENGINEER : B. BUSHEY		SIZE : D		SCALE : 1:1		REV : C	
		SHEET 6		OF 6			