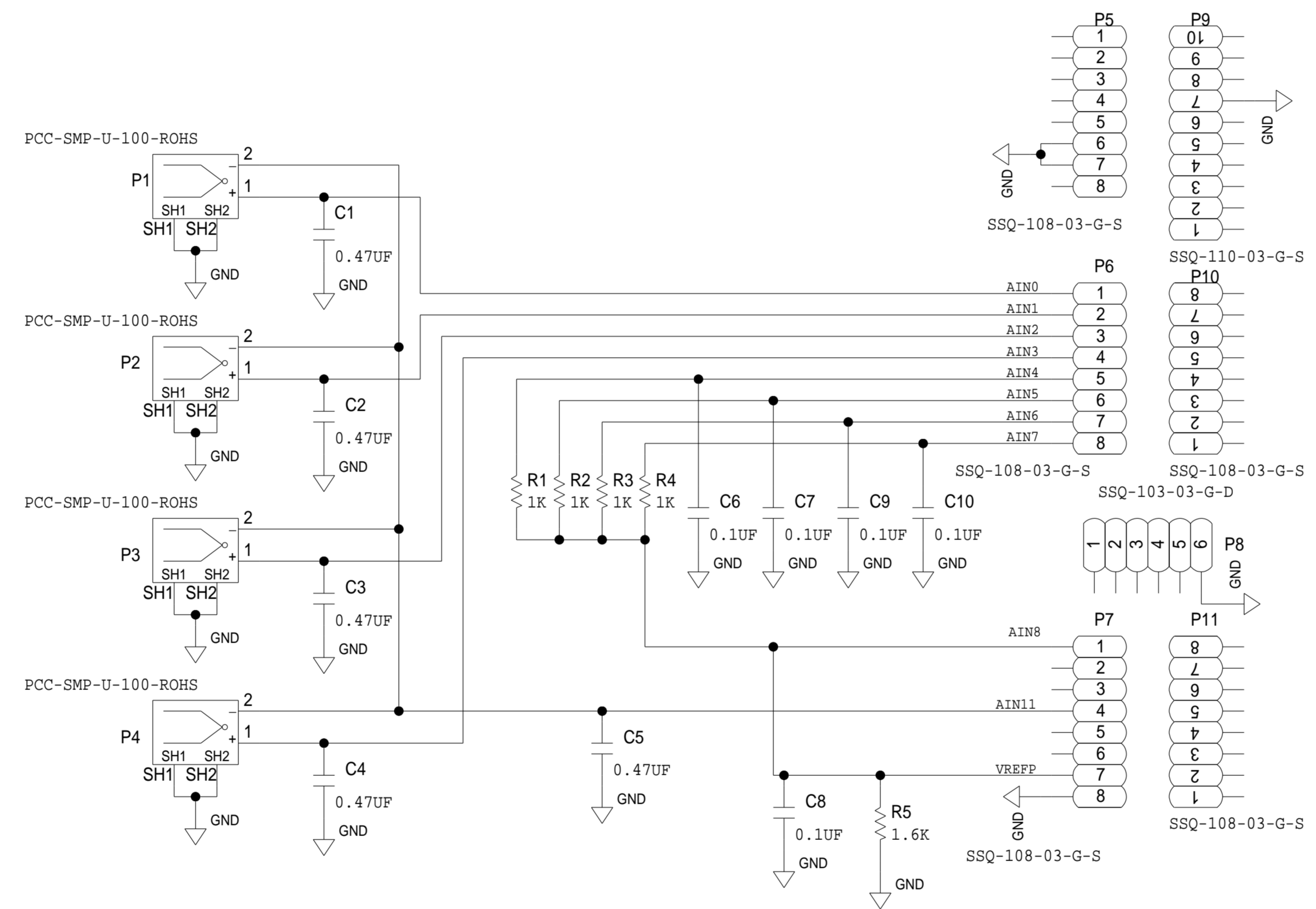


REVISIONS			
REV	DESCRIPTION	DATE	APPROVED



	SCHEMATIC		
	HW TYPE : Customer Evaluation Z Product(s): EVAL-CN0394-ARDZ : Thermocouple Analog Output Arduino Shield Board		
	DESIGN VIEW <DESIGN_VIEW>	DRAWING NO. 02_042719	REV A
	PTD ENGINEER B. BUSHEY	SIZE D	SCALE 1:1
		SHEET 2 OF 2	