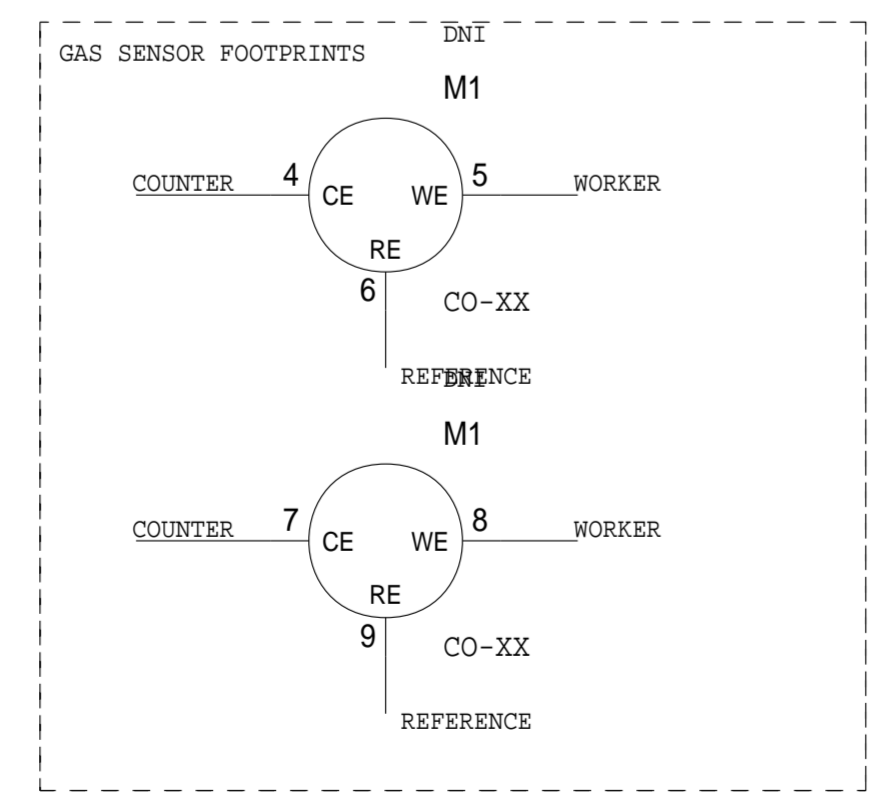
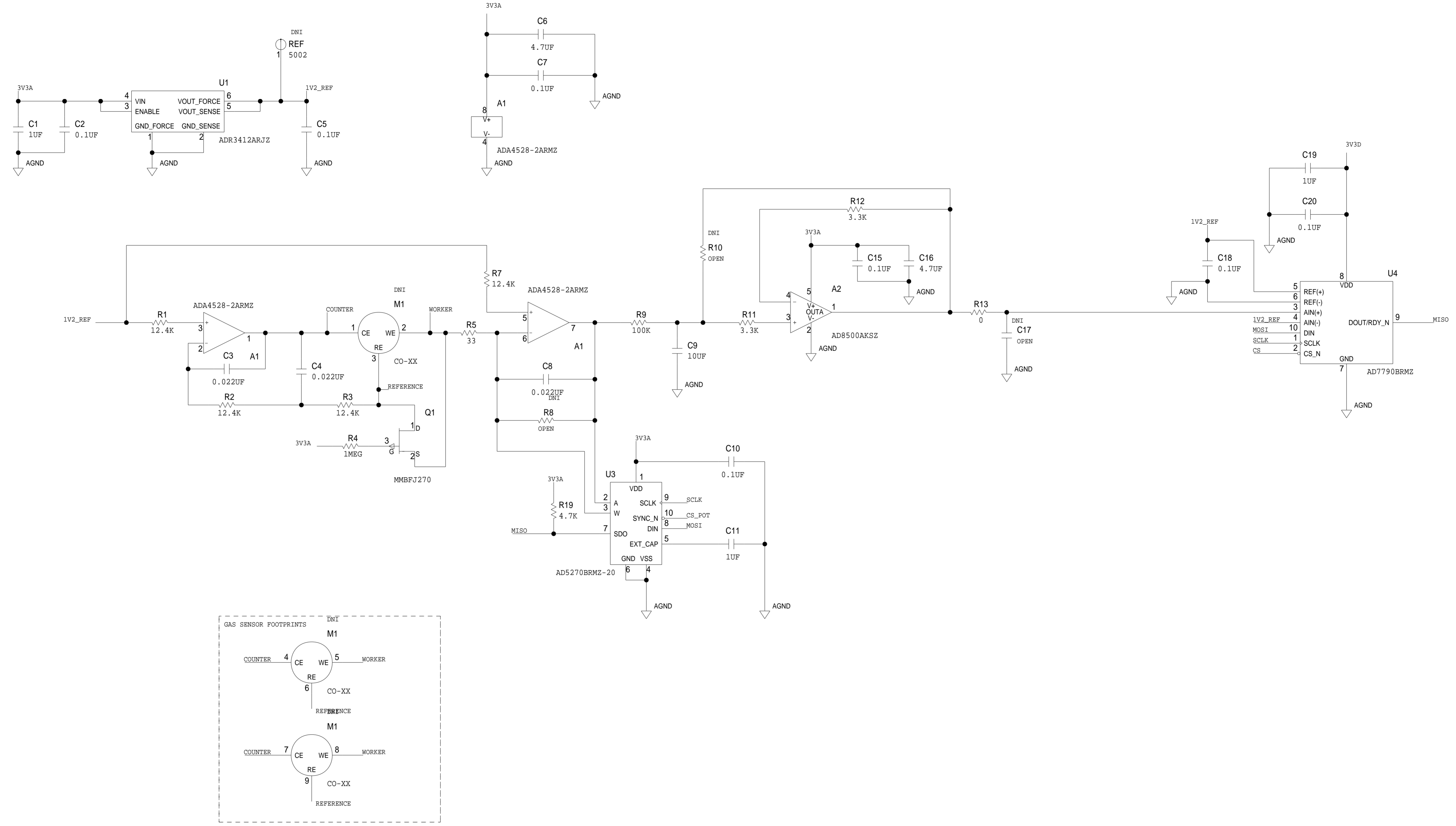


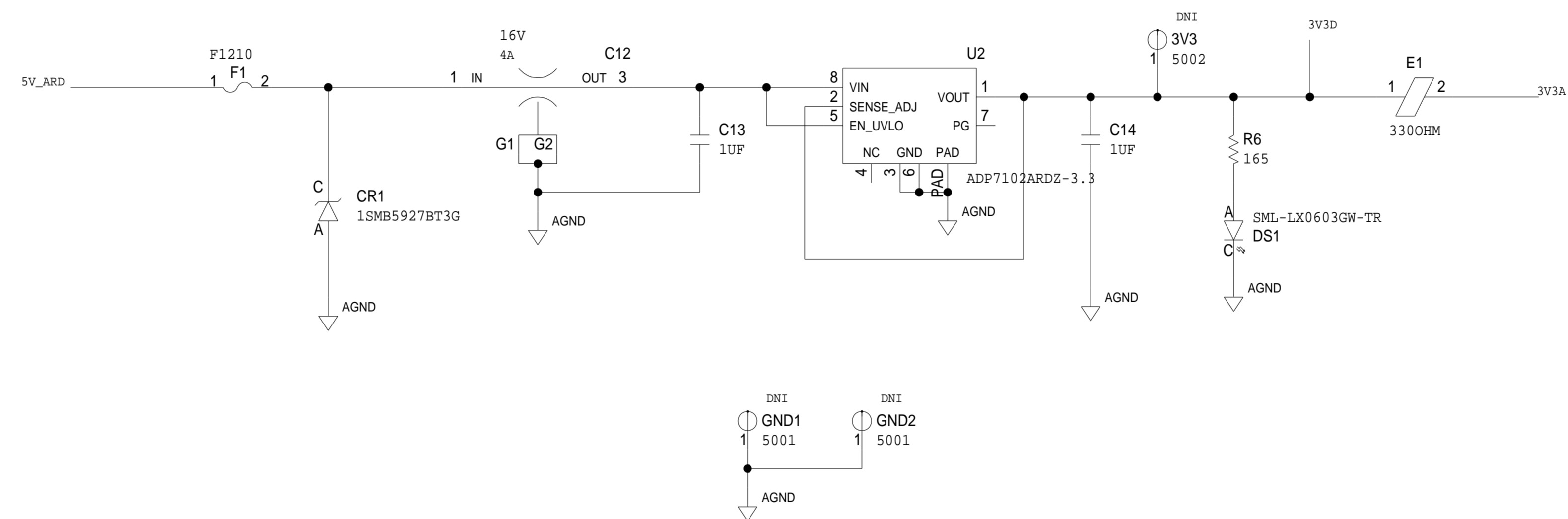
REVISIONS			
REV	DESCRIPTION	DATE	APPROVED



ANALOG DEVICES		SCHEMATIC	
HW TYPE : Customer Evaluation		DRAWING NO. 02_038118	
Product(s) : ADA4528-2		REV C	
DESIGN VIEW <DESIGN_VIEW>		SIZE D	SCALE 1:1
PTD ENGINEER -J. CHUA		SHEET 2 OF 4	

THIS DRAWING IS THE PROPERTY OF ANALOG DEVICES INC. IT IS NOT TO BE REPRODUCED OR COPIED, IN WHOLE OR IN PART, OR USED IN FURNISHING INFORMATION TO OTHERS, OR FOR ANY OTHER PURPOSE DETRIMENTAL TO THE INTERESTS OF ANALOG DEVICES. THE EQUIPMENT SHOWN HEREIN MAY BE PROTECTED BY PATENTS OWNED OR CONTROLLED BY ANALOG DEVICES.

REVISIONS			
REV	DESCRIPTION	DATE	APPROVED

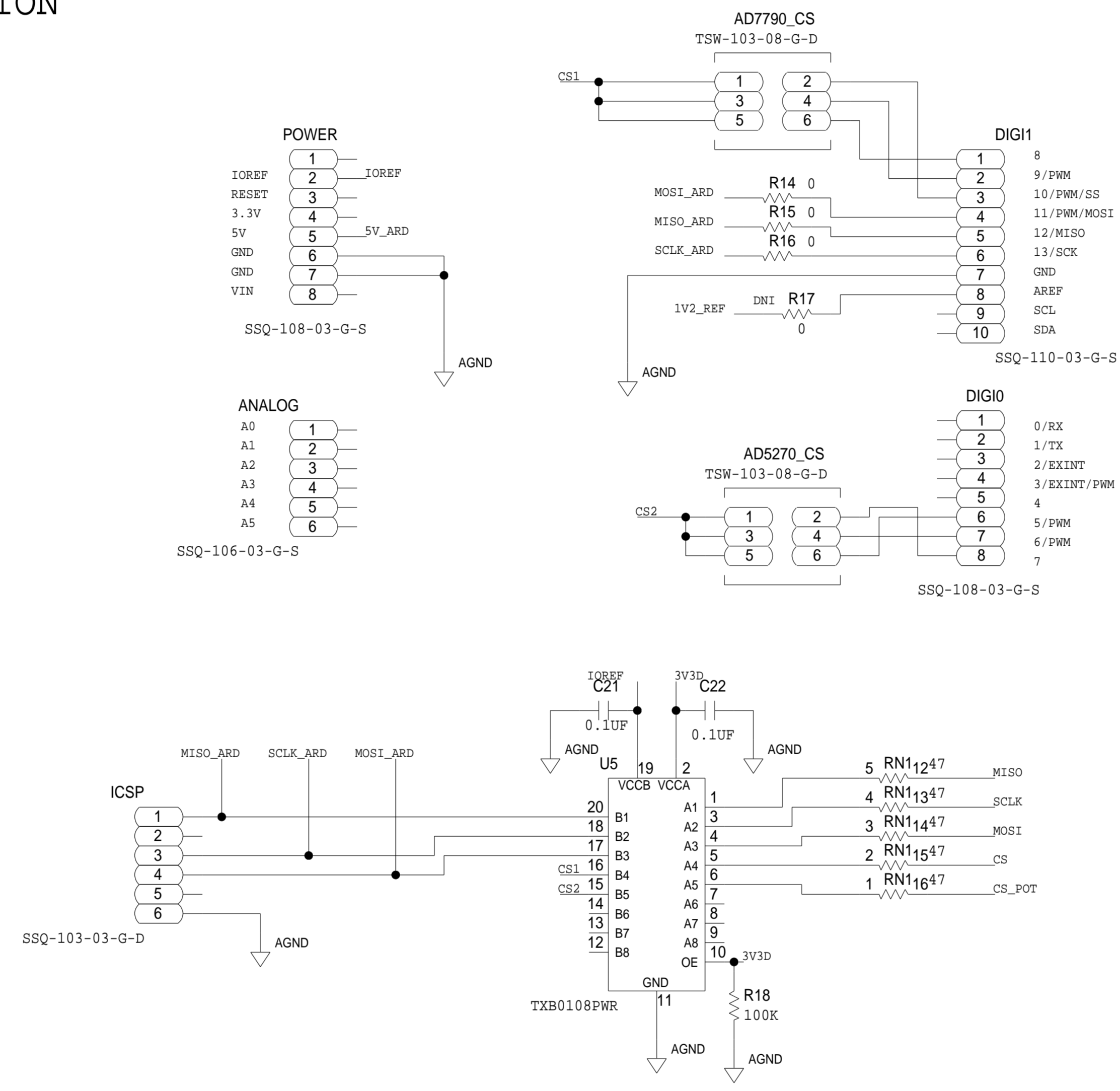


	SCHEMATIC		
	HW TYPE : Customer Evaluation Product(s) : ADA4528-2 : AD7790		
	DESIGN VIEW <DESIGN_VIEW>	DRAWING NO. 02_038118	REV C
	PTD ENGINEER -J. CHUA	SIZE D SCALE 1:1	SHEET 3 OF 4

THIS DRAWING IS THE PROPERTY OF ANALOG DEVICES INC. IT IS NOT TO BE REPRODUCED OR COPIED, IN WHOLE OR IN PART, OR USED IN FURNISHING INFORMATION TO OTHERS, OR FOR ANY OTHER PURPOSE DETRIMENTAL TO THE INTERESTS OF ANALOG DEVICES. THE EQUIPMENT SHOWN HEREON MAY BE PROTECTED BY PATENTS OWNED OR CONTROLLED BY ANALOG DEVICES.

REVISIONS			
REV	DESCRIPTION	DATE	APPROVED

ARDUINO CONNECTION



	SCHEMATIC		
	HW TYPE : Customer Evaluation Product(s) : ADA4528-2 : AD7790		
	DESIGN VIEW <DESIGN_VIEW>	DRAWING NO. 02_038118	REV C
	PTD ENGINEER -J. CHUA	SIZE D	SCALE 1:1
		SHEET 4 OF 4	