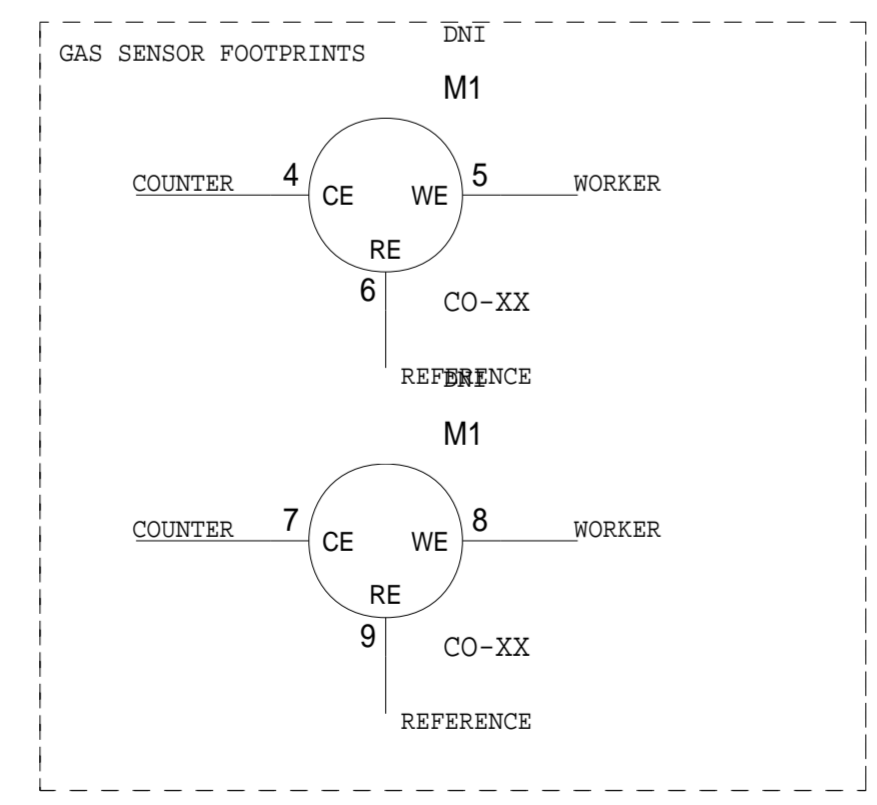
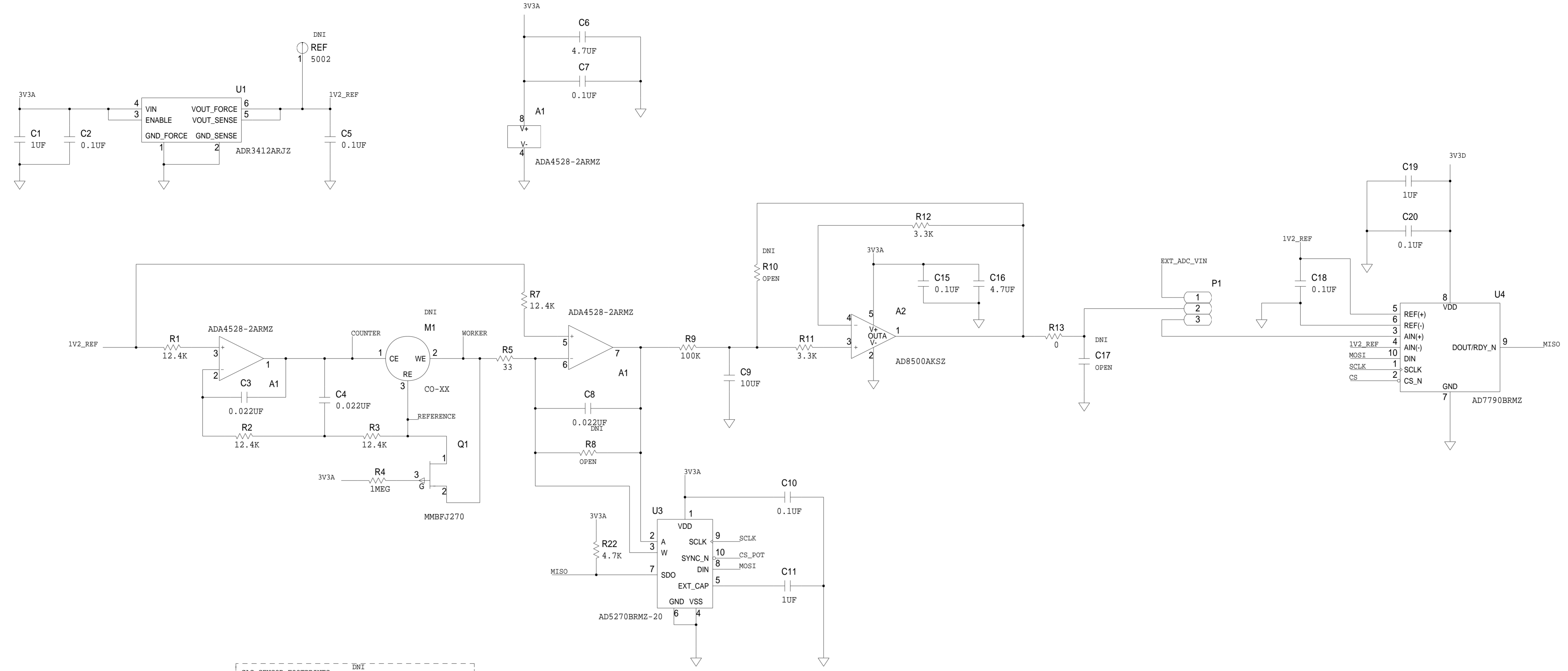


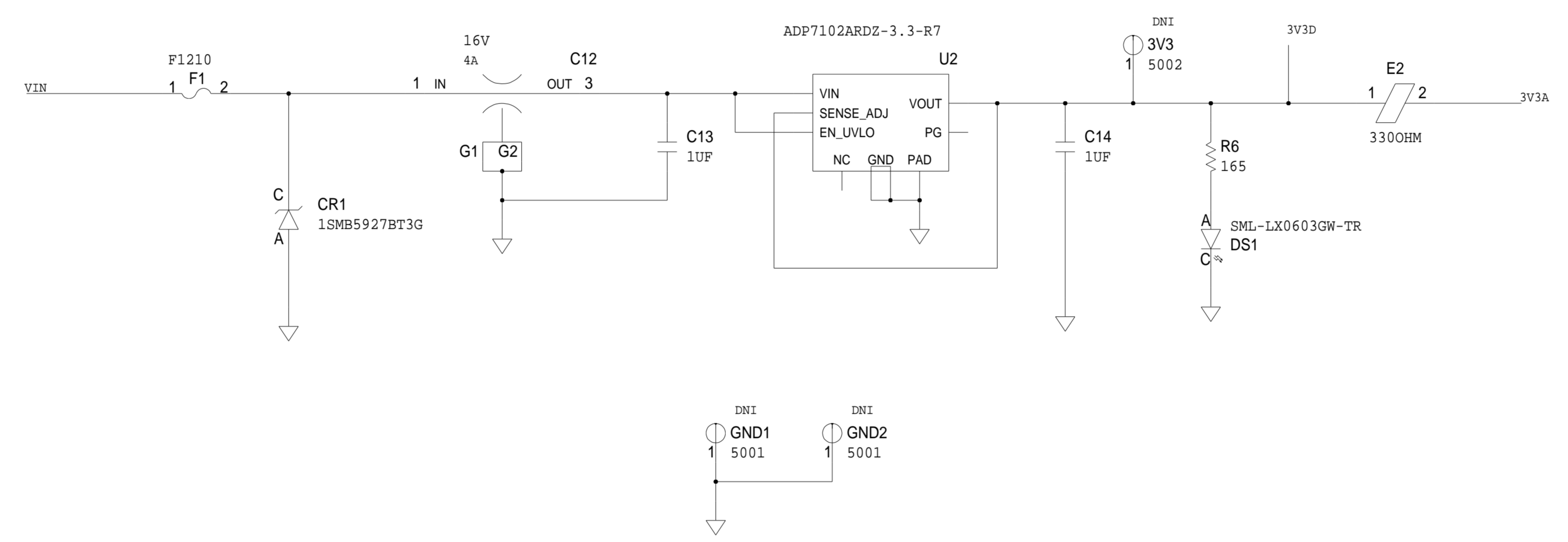


REVISIONS			
REV	DESCRIPTION	DATE	APPROVED



	<b>SCHEMATIC</b>		
	HW TYPE : Customer Evaluation Product(s) : ADA4528-2 : AD7790		
	DESIGN VIEW <DESIGN_VIEW>	DRAWING NO. 02_038118	REV B
	PTD ENGINEER -J. CHUA	SIZE <b>D</b> 1:1	SHEET 2 OF 4

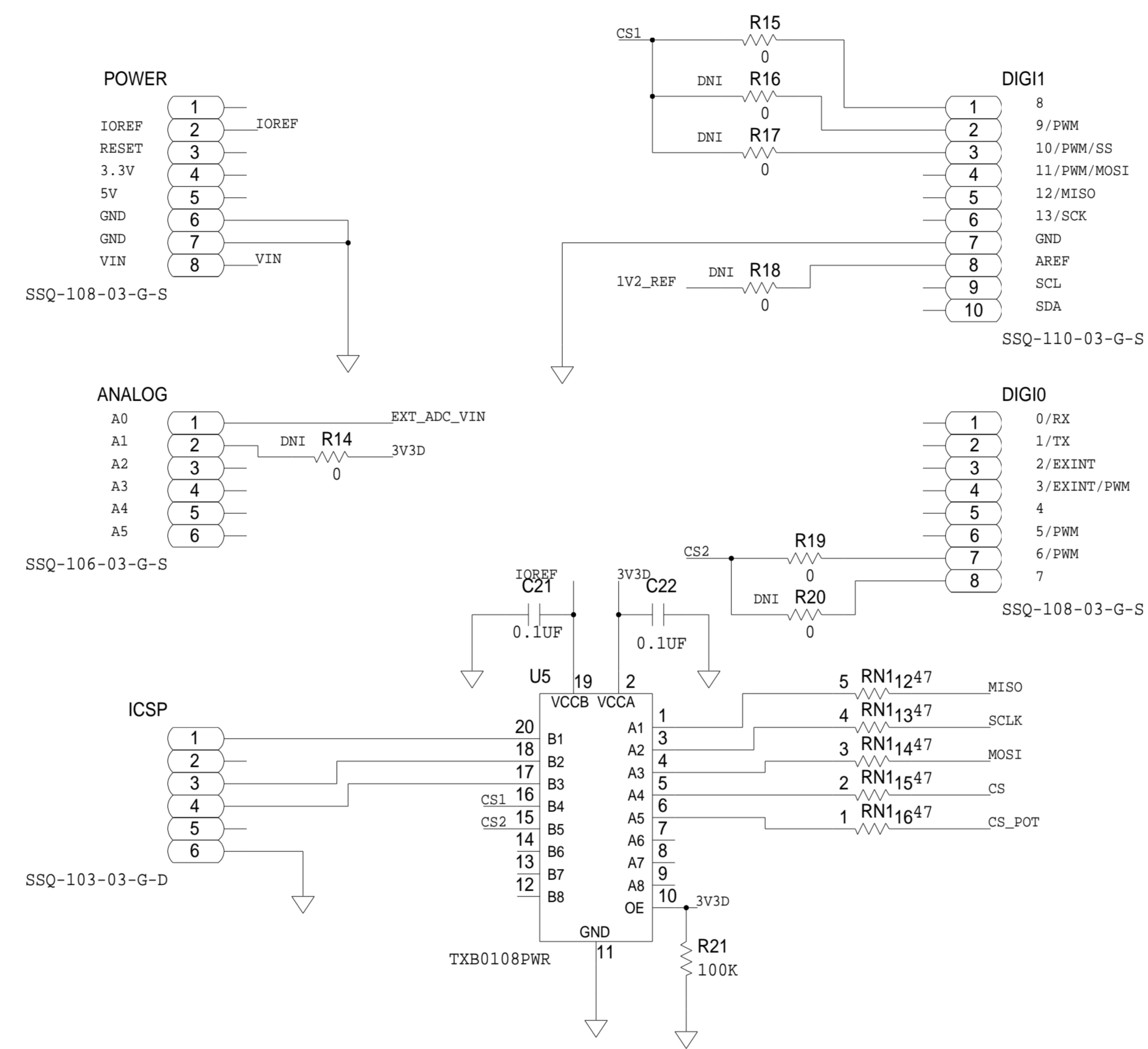
REVISIONS			
REV	DESCRIPTION	DATE	APPROVED



	<b>SCHEMATIC</b>		
	HW TYPE : Customer Evaluation Product(s) : ADA4528-2 : AD7790		
	DESIGN VIEW <DESIGN_VIEW>	DRAWING NO. 02_038118	REV B
	PTD ENGINEER -J. CHUA	SIZE <b>D</b>	SCALE 1:1
		SHEET 3 OF 4	

REVISIONS			
REV	DESCRIPTION	DATE	APPROVED

### ARDUINO CONNECTION



	<b>SCHEMATIC</b>		
	HW TYPE : Customer Evaluation Product(s) : ADA4528-2 : AD7790		
	DESIGN VIEW <DESIGN_VIEW>	DRAWING NO. 02_038118	REV B
	PTD ENGINEER -J. CHUA	SIZE <b>D</b>	SCALE 1:1
		SHEET 4 OF 4	