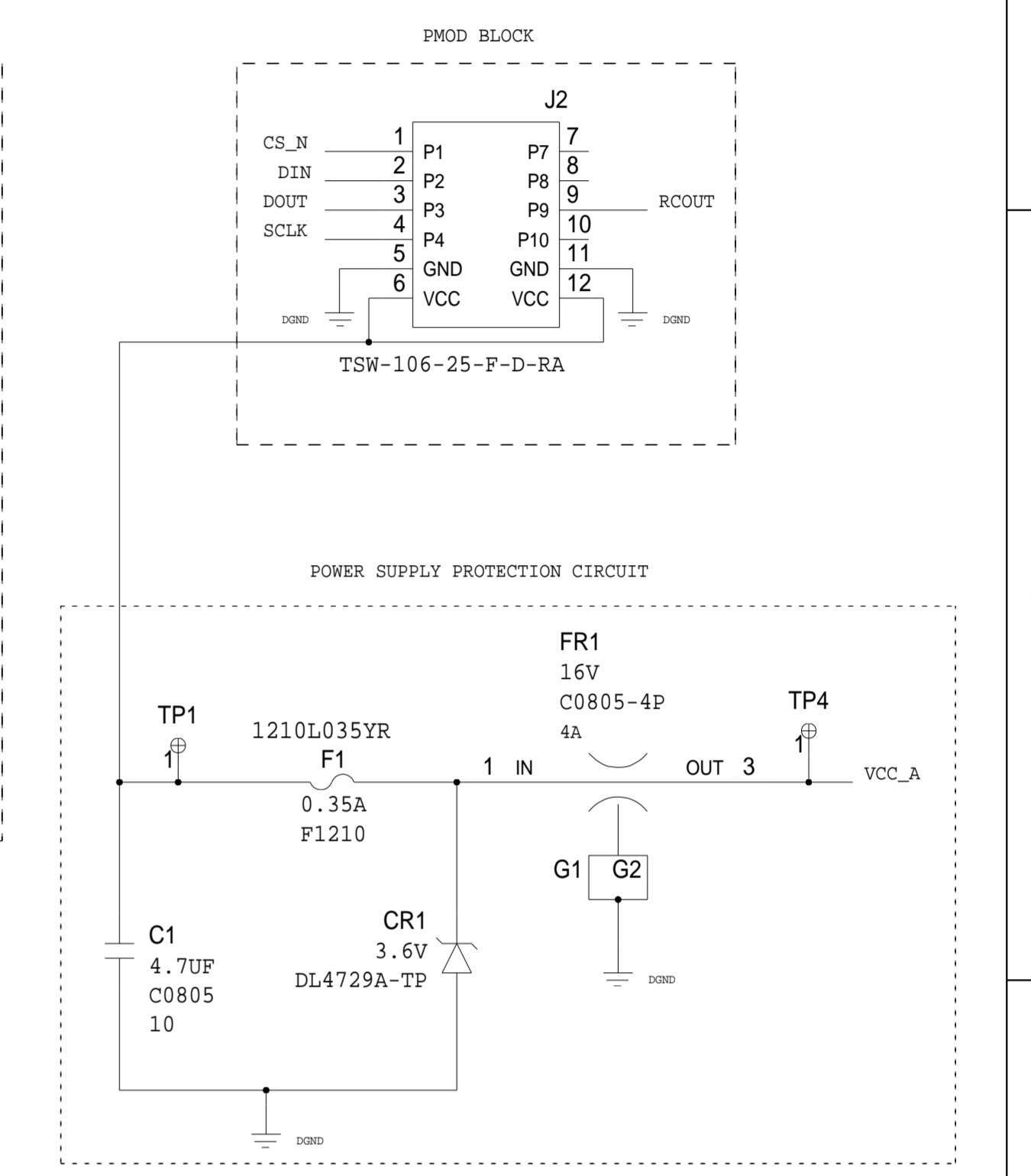
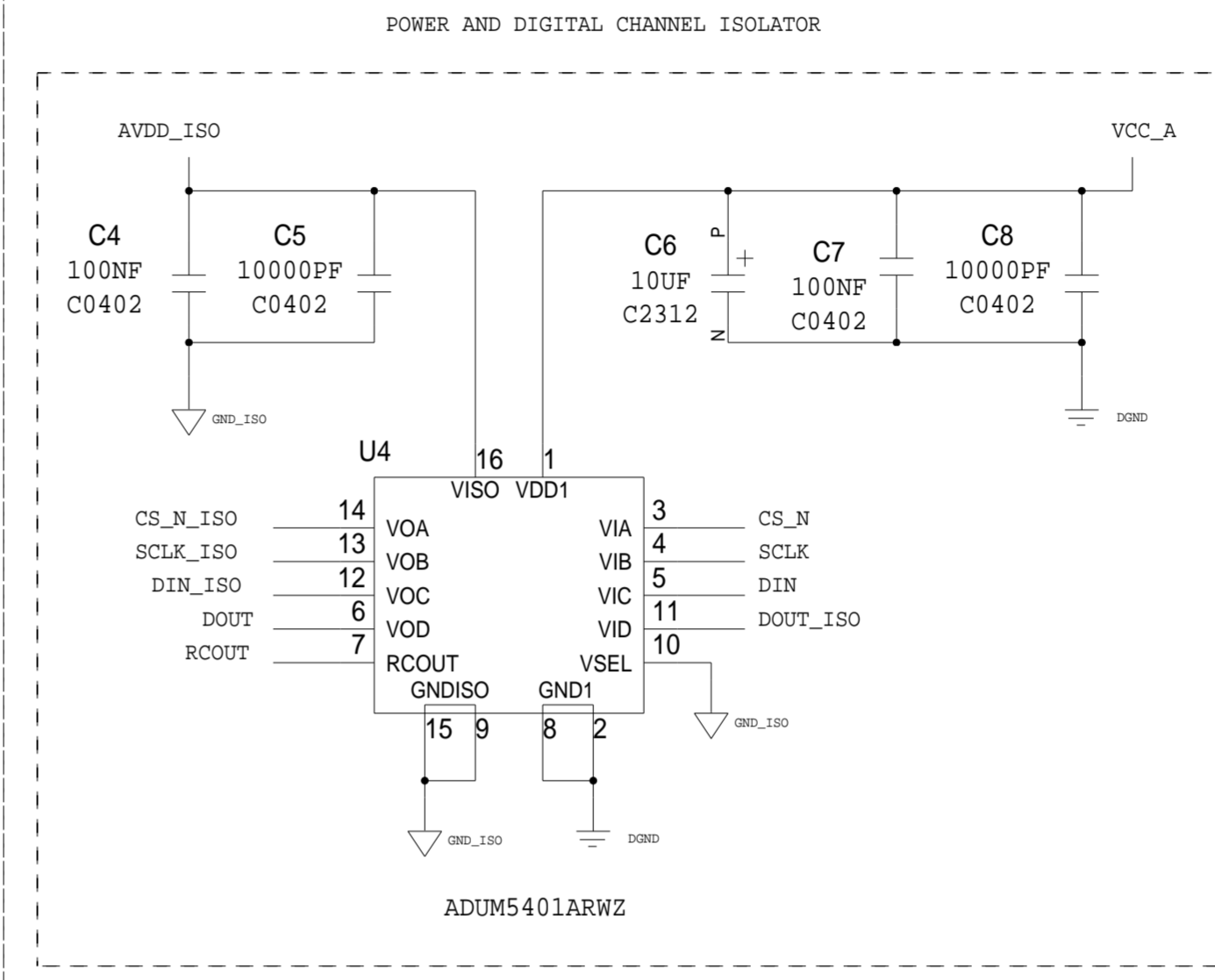
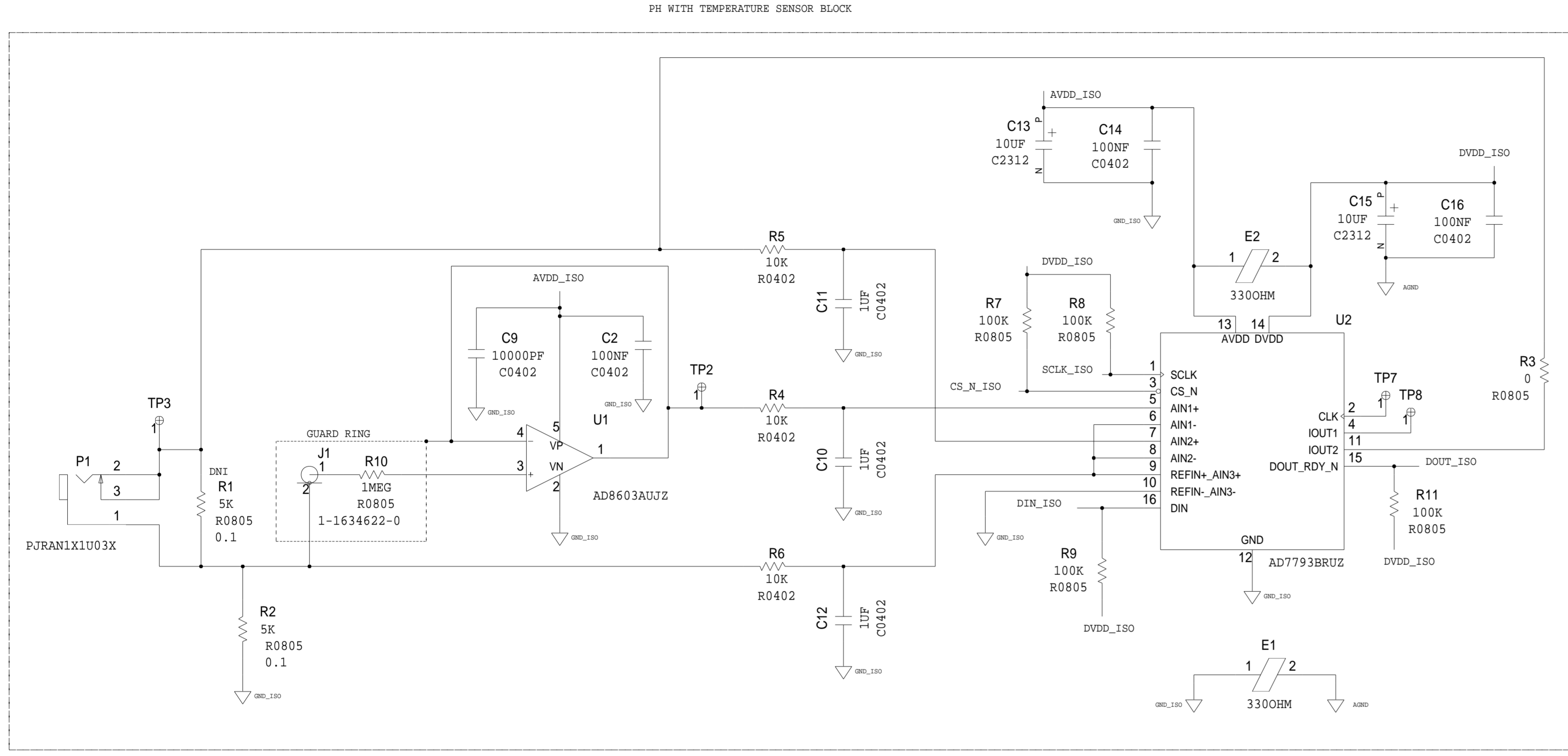




REVISIONS			
REV	DESCRIPTION	DATE	APPROVED



	<b>SCHEMATIC</b>		
	CtL: CN0326 Title: pH Sensor with Automatic Temperature Compensation		
	DESIGN VIEW <DESIGN_VIEW>	DRAWING NO. 02_035961	REV B
	PTD ENGINEER E. REYTA	SIZE D	SCALE 1:1

THIS DRAWING IS THE PROPERTY OF ANALOG DEVICES INC. IT IS NOT TO BE REPRODUCED OR COPIED, IN WHOLE OR IN PART, OR USED IN ANY MANNER WITHOUT THE WRITTEN PERMISSION OF ANALOG DEVICES. THE EQUIPMENT SHOWN HEREIN MAY BE PROTECTED BY PATENTS OWNED OR CONTROLLED BY ANALOG DEVICES.