

THIS DRAWING IS THE PROPERTY OF ANALOG DEVICES INC. IT IS NOT TO BE REPRODUCED OR COPIED, IN WHOLE OR IN PART, OR USED IN FURNISHING INFORMATION TO OTHERS, OR FOR ANY OTHER PURPOSE DETRIMENTAL TO THE INTERESTS OF ANALOG DEVICES. THE EQUIPMENT SHOWN HEREON MAY BE PROTECTED BY PATENTS OWNED OR CONTROLLED BY ANALOG DEVICES.

RELAY CONTROL CHART

CONTROL	CODE	DEVICE	FUNCTION	CONNECTOR

JUMPER TABLE

JP#	ON	OFF
1		
2		
3		
4		
5		


\* SEE ASSEMBLY INSTRUCTIONS

REVISIONS

REV	DESCRIPTION	DATE	APPROVED
A	INITIAL RELEASE	FEB-2014	J. CHUA
B	CHANGES PER ECR-045720	APR-2014	J. CHUA
C	CHANGES PER ECR-059078	JAN-2016	J. CHUA

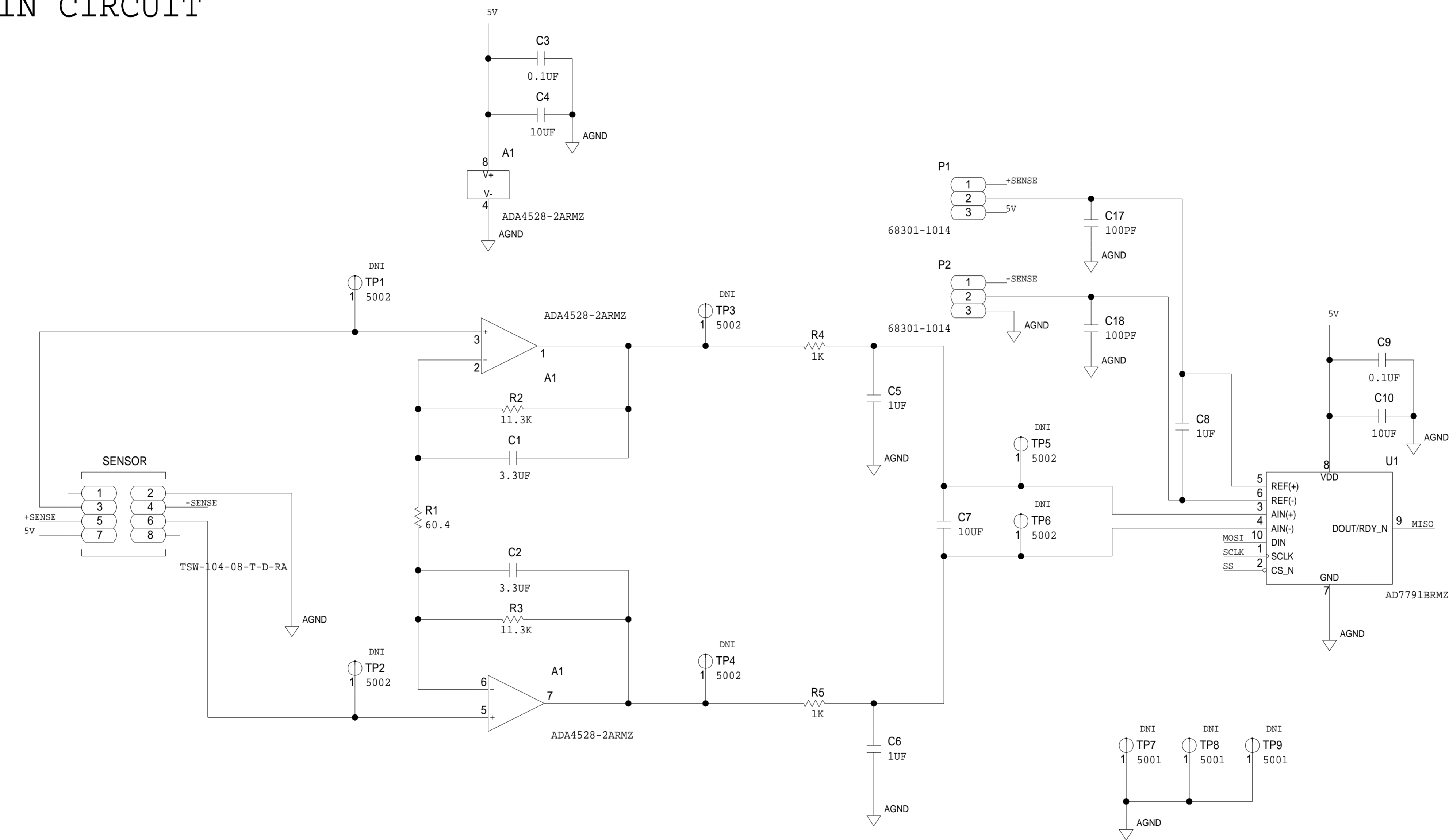
# CN0216 ARDUINO SHIELD

P.O SPEC.	BK/BD SPEC.	SOCKET OEM	OEM PART#	HANDLER

TEMPLATE ENGINEER -G. AGUIRRI DATE APR-2014 HARDWARE SERVICES -B. MCDONALD DATE APR-2014 HARDWARE SYSTEMS -J. KEANE DATE APR-2014 TEST ENGINEER -J. DOCTOR DATE APR-2014 COMPONENT ENGINEER -G. CELEDONIO DATE APR-2014 TEST PROCESS NA DATE NA HARDWARE RELEASE -R. AMARILLE DATE APR-2014 DESIGNER -J. RAMOS DATE APR-2014 PTD ENGINEER -J. CHUA DATE APR-2014 CHECKER -J. CHUA DATE APR-2014	<b>SCHEMATIC</b> HW TYPE : Customer Evaluation Product(s) : AD7791 : ADA4528-1 CftL Title : Precision Weigh Scale  <DRAWING_TITLE3> <DRAWING_TITLE4> <DRAWING_TITLE5>	 <b>DRAWING NO.</b> 02_038117 <b>REV.</b> C
MASTER PROJECT TEMPLATE TBD TESTER TEMPLATE no_template <small>UNLESS OTHERWISE SPECIFIED DIMENSIONS ARE IN INCHES</small> <b>TOLERANCES</b> DECIMALS    FRACTIONS    ANGLES X.XX +0.010    +1/32    +2 X.XXX +0.005		<b>SIZE</b> D <b>SCALE</b> 1:1 <b>CODE ID NO.</b> CodeID <b>SHEET</b> 1 <b>OF</b> 4

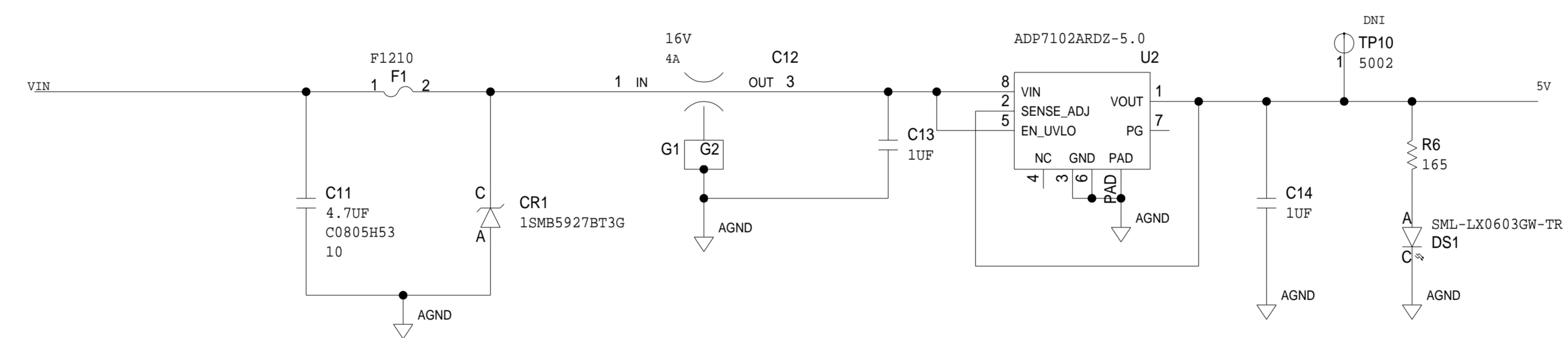
REVISIONS			
REV	DESCRIPTION	DATE	APPROVED

# MAIN CIRCUIT



	<b>SCHEMATIC</b>		
	HW TYPE : Customer Evaluation Product(s) : AD7791 : ADA4528-1		
	DESIGN VIEW <DESIGN_VIEW>	DRAWING NO. 02_038117	REV C
	PTD ENGINEER -J.CHUA	SIZE D	SCALE 1:1
		SHEET 2 OF 4	

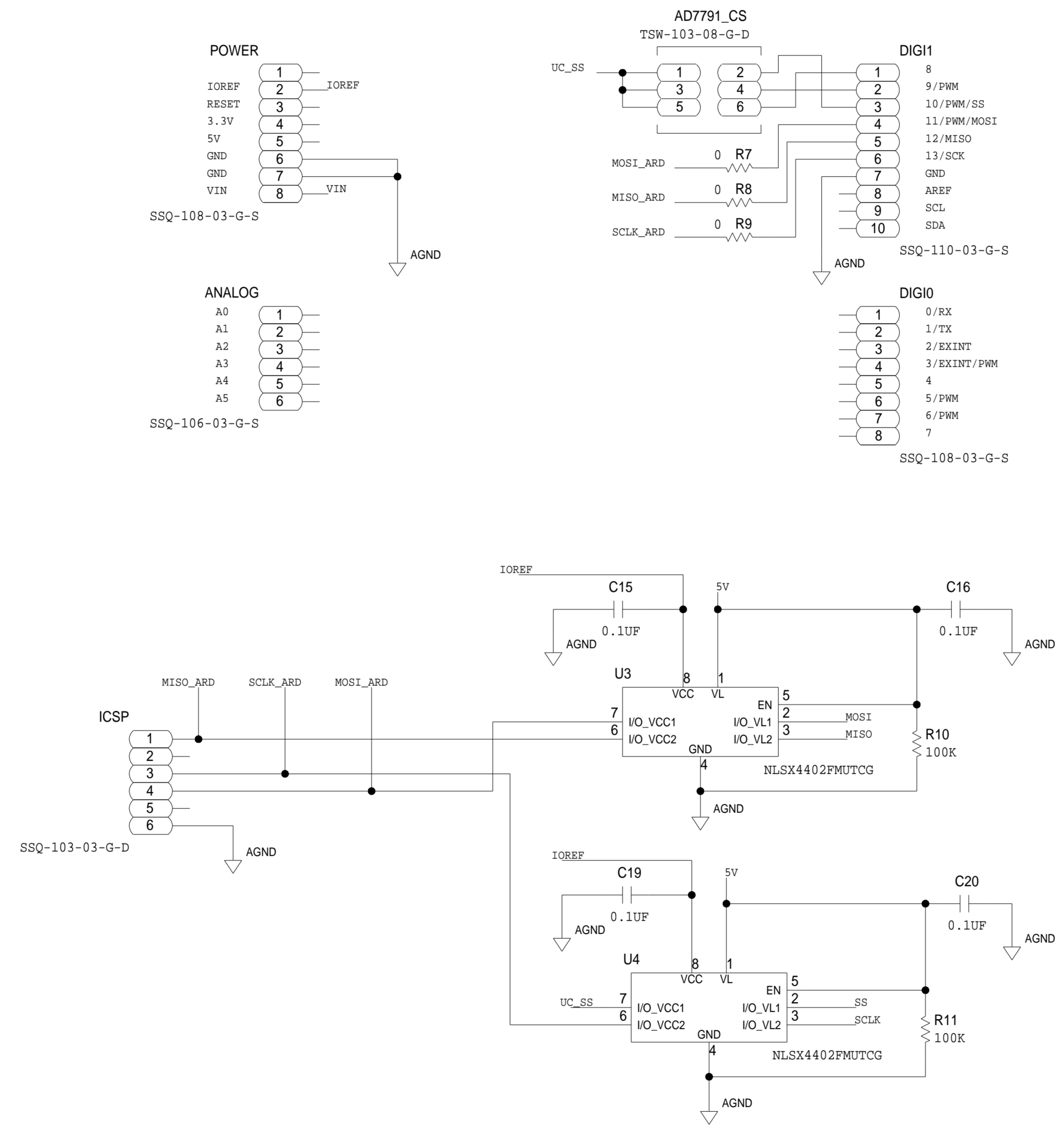
REVISIONS			
REV	DESCRIPTION	DATE	APPROVED



	<b>SCHEMATIC</b>		
	HW TYPE : Customer Evaluation Product(s) : AD7791 : ADA4528-1		
	DESIGN VIEW <DESIGN_VIEW>	DRAWING NO. 02_038117	REV C
	PTD ENGINEER -J. CHUA	SIZE <b>D</b>	SCALE 1:1
		SHEET 3 OF 4	

REVISIONS			
REV	DESCRIPTION	DATE	APPROVED

### ARDUINO CONNECTION



	<b>SCHEMATIC</b>		
	HW TYPE : Customer Evaluation Product(s) : AD7791 : ADA4528-1		
	DESIGN VIEW <DESIGN_VIEW>	DRAWING NO. 02_038117	REV C
	PTD ENGINEER -J.CHUA	SIZE <b>D</b> SCALE 1:1	SHEET 4 OF 4