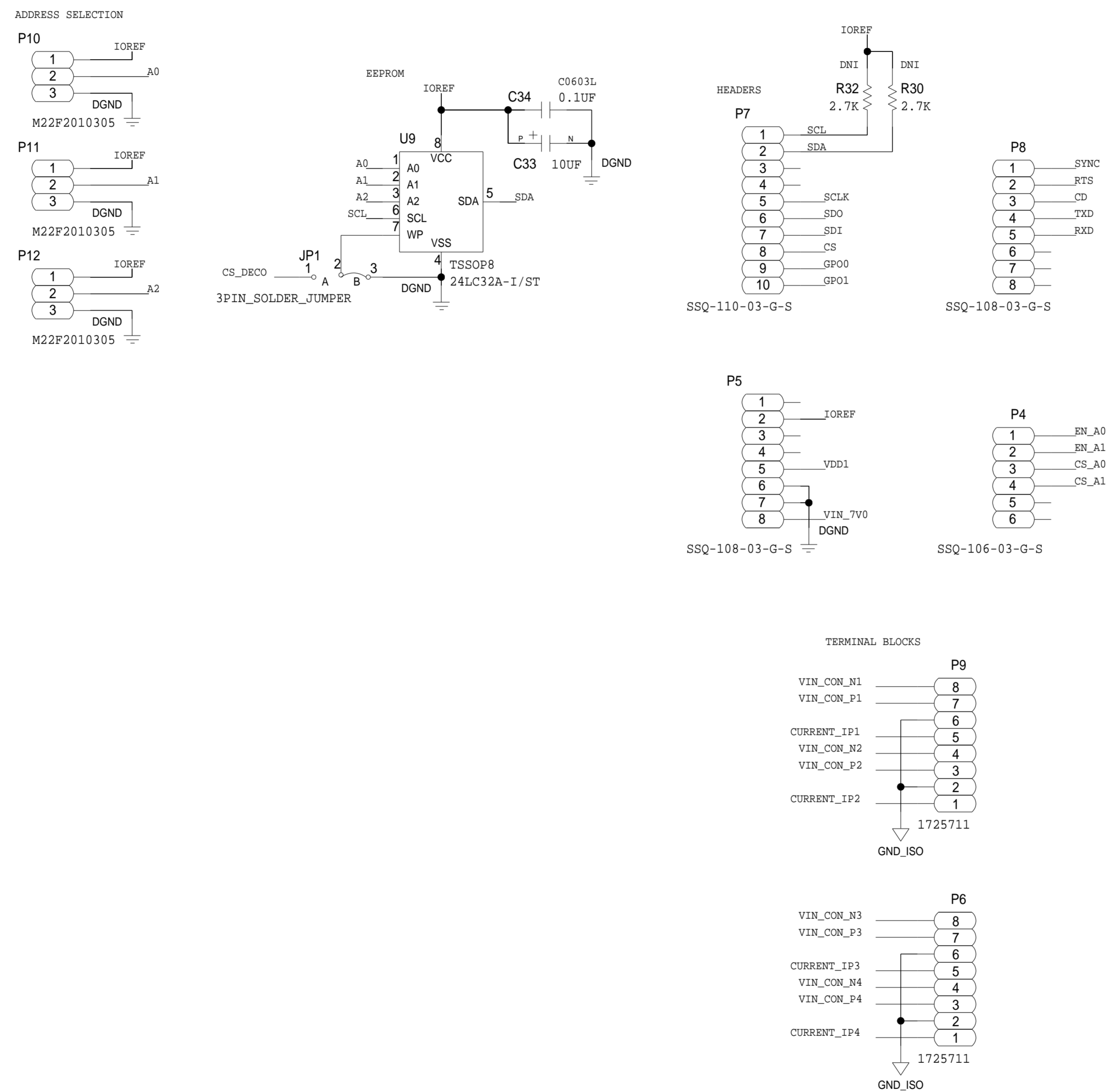




REVISIONS			
REV	DESCRIPTION	DATE	APPROVED

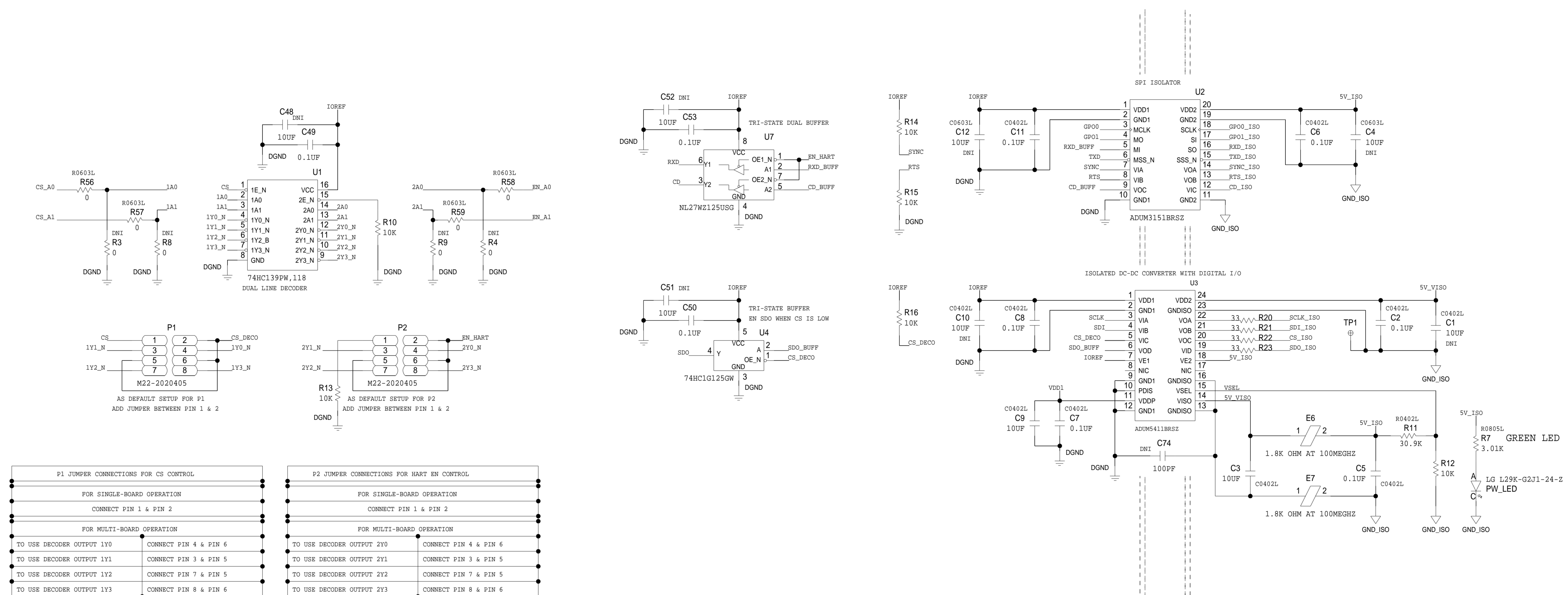
# ARDUINO CONNECTORS AND TERMINAL BLOCKS



	<b>SCHEMATIC</b>		
	HW TYPE : Customer Evaluation Z Product(s): AD7173-8 : AD5700-1		
	DESIGN VIEW <DESIGN_VIEW>	DRAWING NO. 02_049005	REV B
	PTD ENGINEER M. SUCIU	SIZE D	SCALE 1:1
		SHEET 2 OF 8	

REVISIONS			
REV	DESCRIPTION	DATE	APPROVED

# ISOLATORS AND CONTROL SCHEME



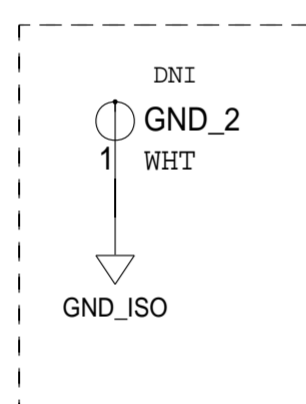
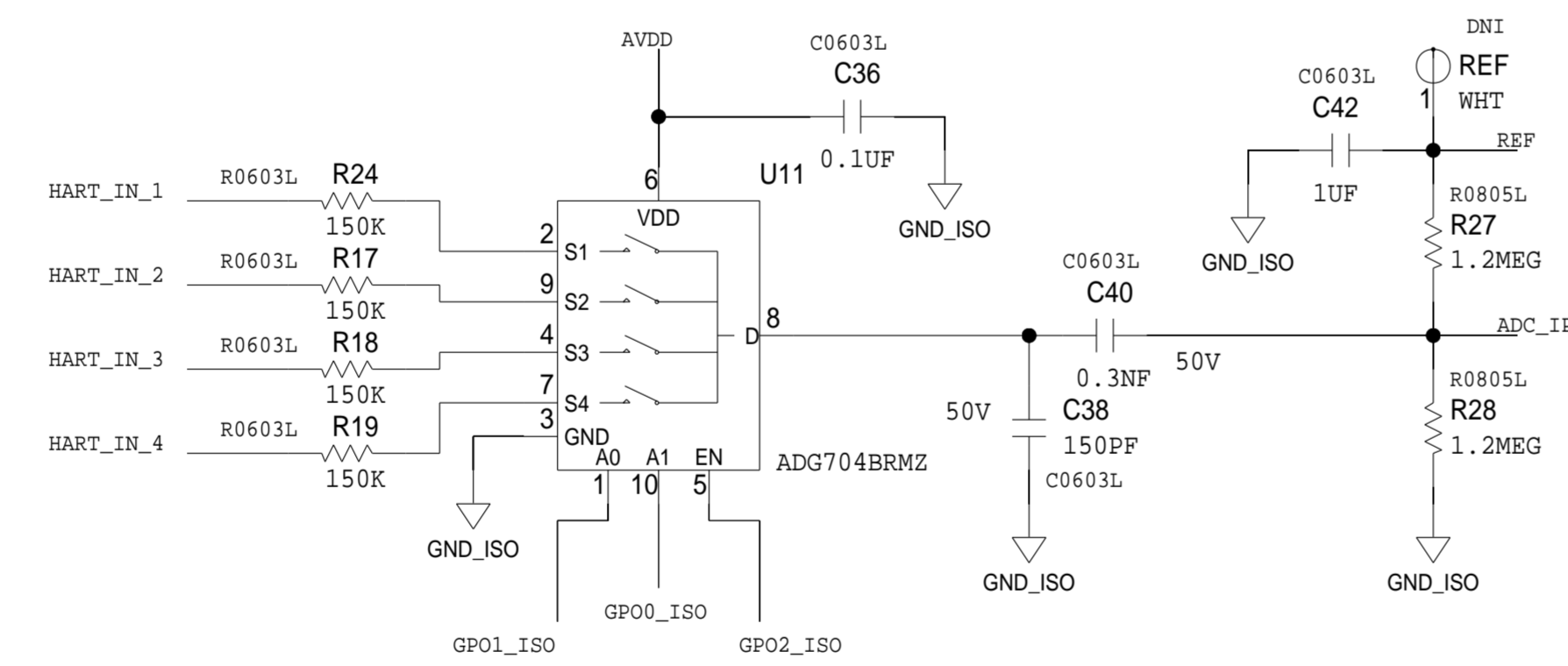
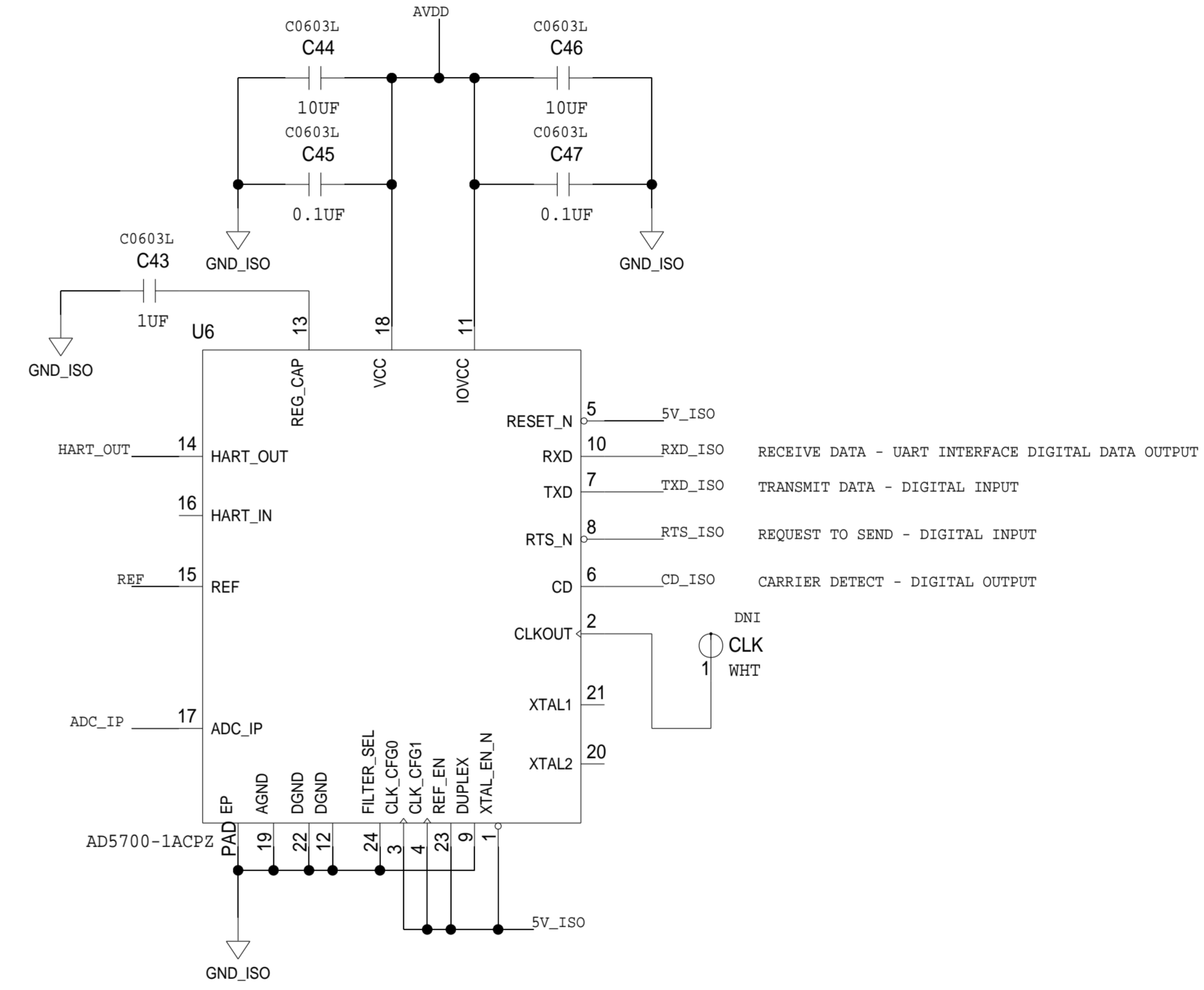
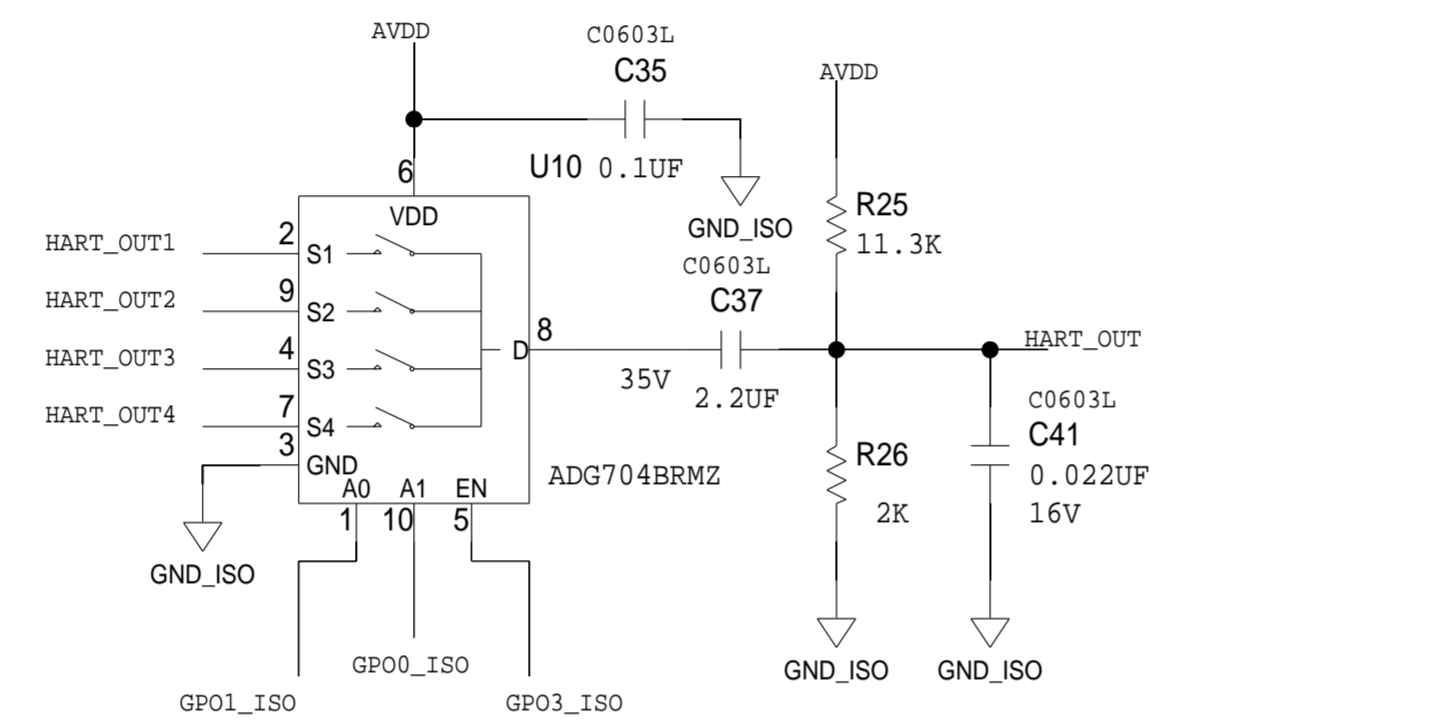
PROCESSOR SIDE

ISOLATED SIDE

SCHEMATIC			
		HW TYPE : Customer Evaluation Z Product(s) : AD7173-8 : AD5700-1	
DESIGN VIEW <DESIGN_VIEW>	DRAWING NO. 02_049005	REV B	
PTD ENGINEER M. SUCIU	SIZE D	SCALE 1:1	SHEET 3 OF 8

REVISIONS			
REV	DESCRIPTION	DATE	APPROVED

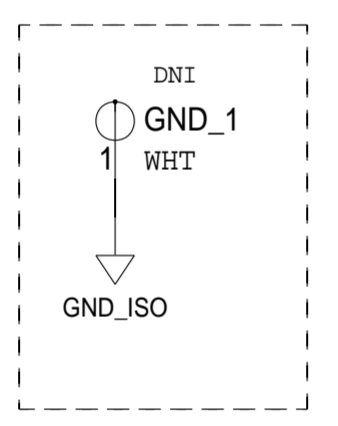
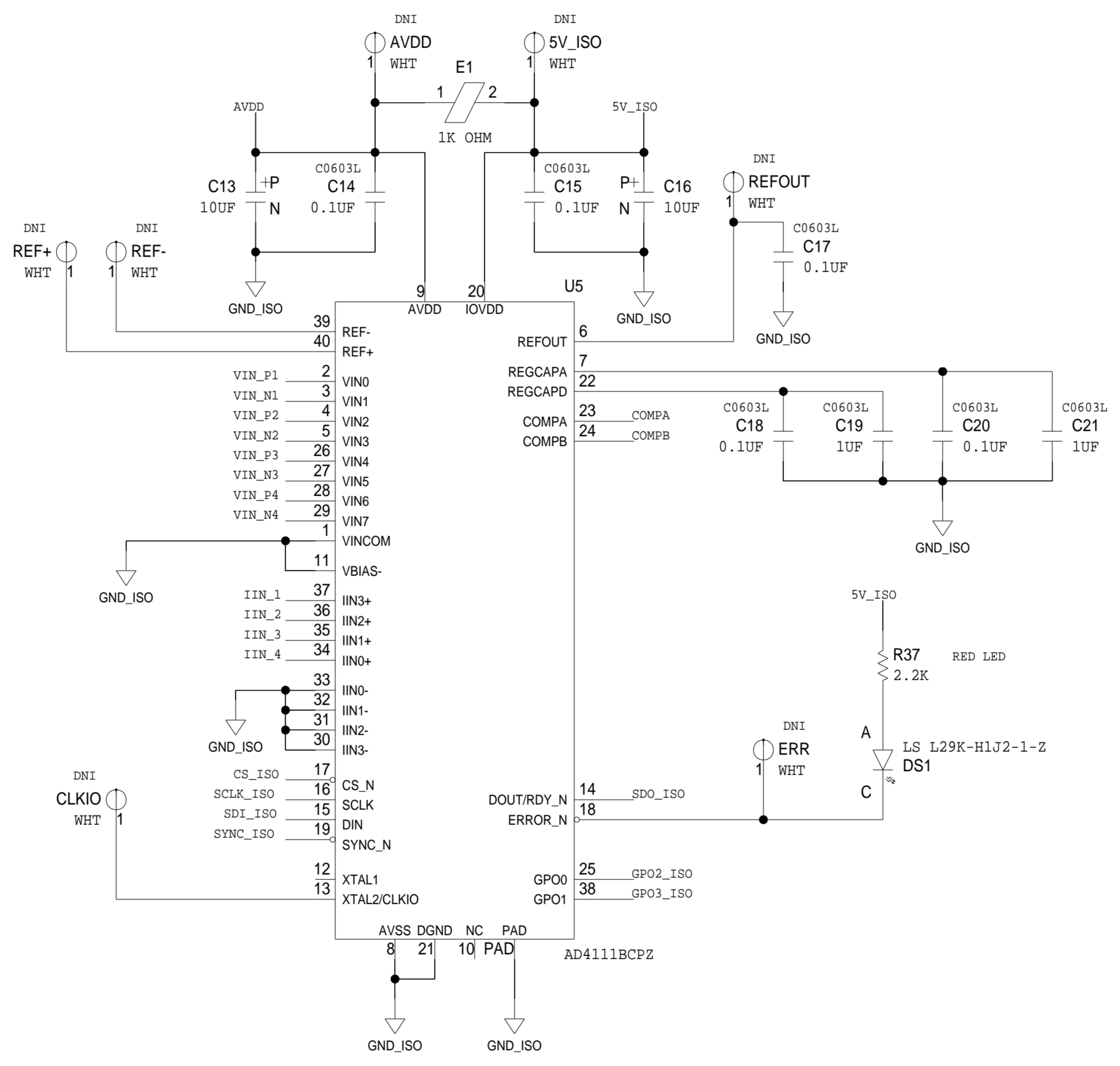
# HART MODEM



	<b>SCHEMATIC</b>		
	HW TYPE : Customer Evaluation Z Product(s) : AD7173-8 : AD5700-1		
	DESIGN VIEW <DESIGN_VIEW>	DRAWING NO. 02_049005	REV B
	PTD ENGINEER M. SUCIU	SIZE D	SCALE 1:1
SHEET 4		OF 8	

REVISIONS			
REV	DESCRIPTION	DATE	APPROVED

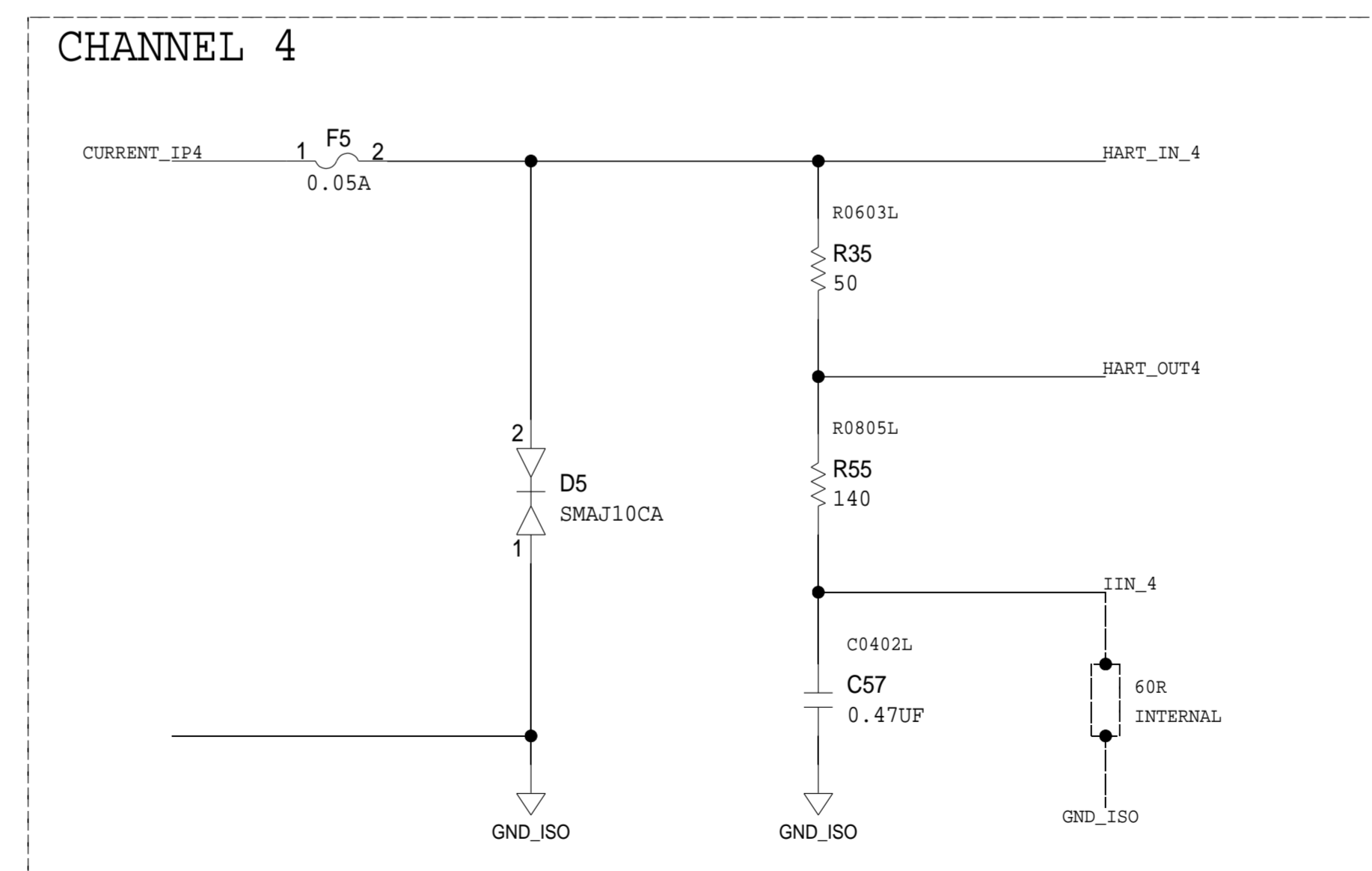
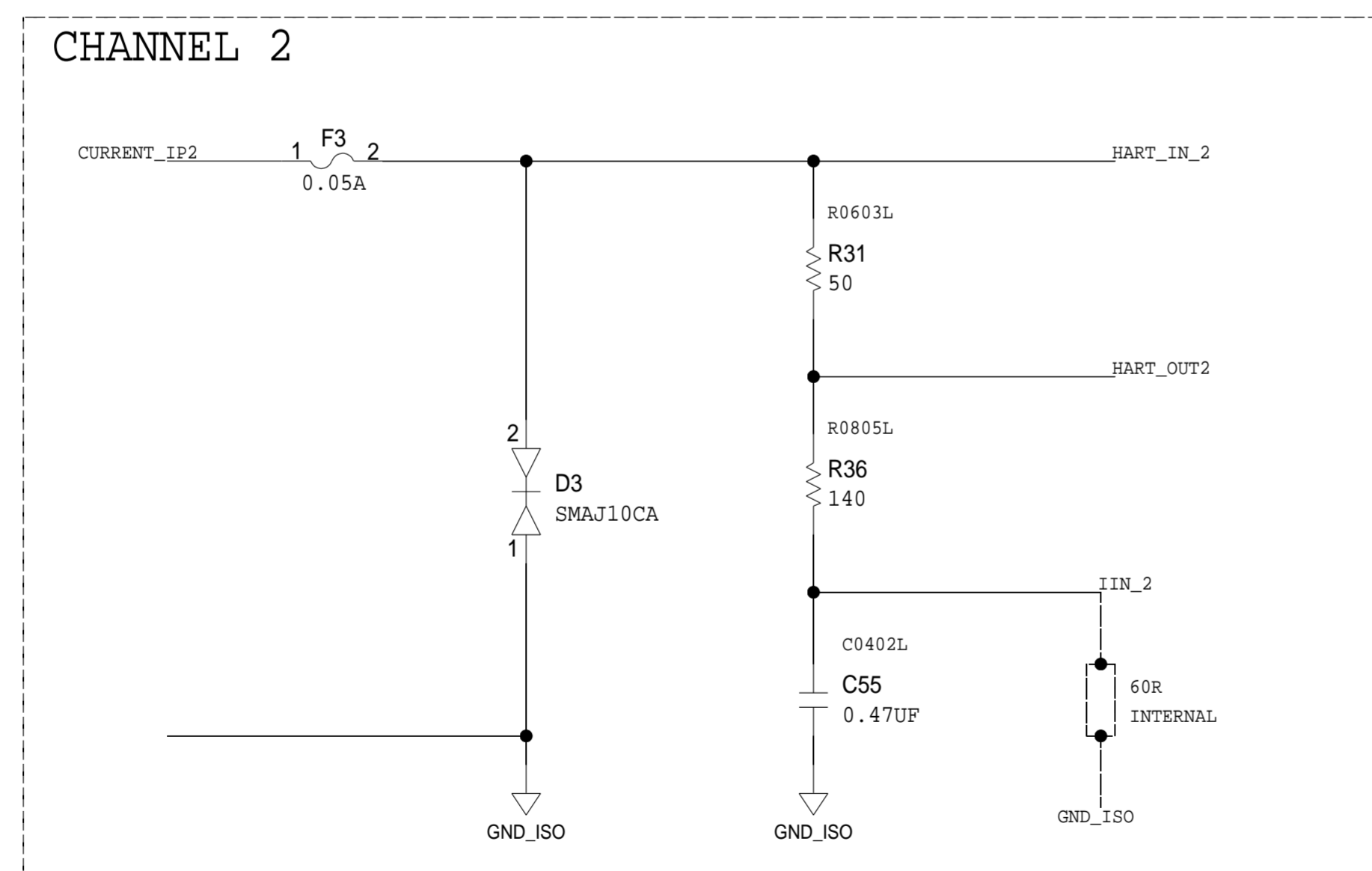
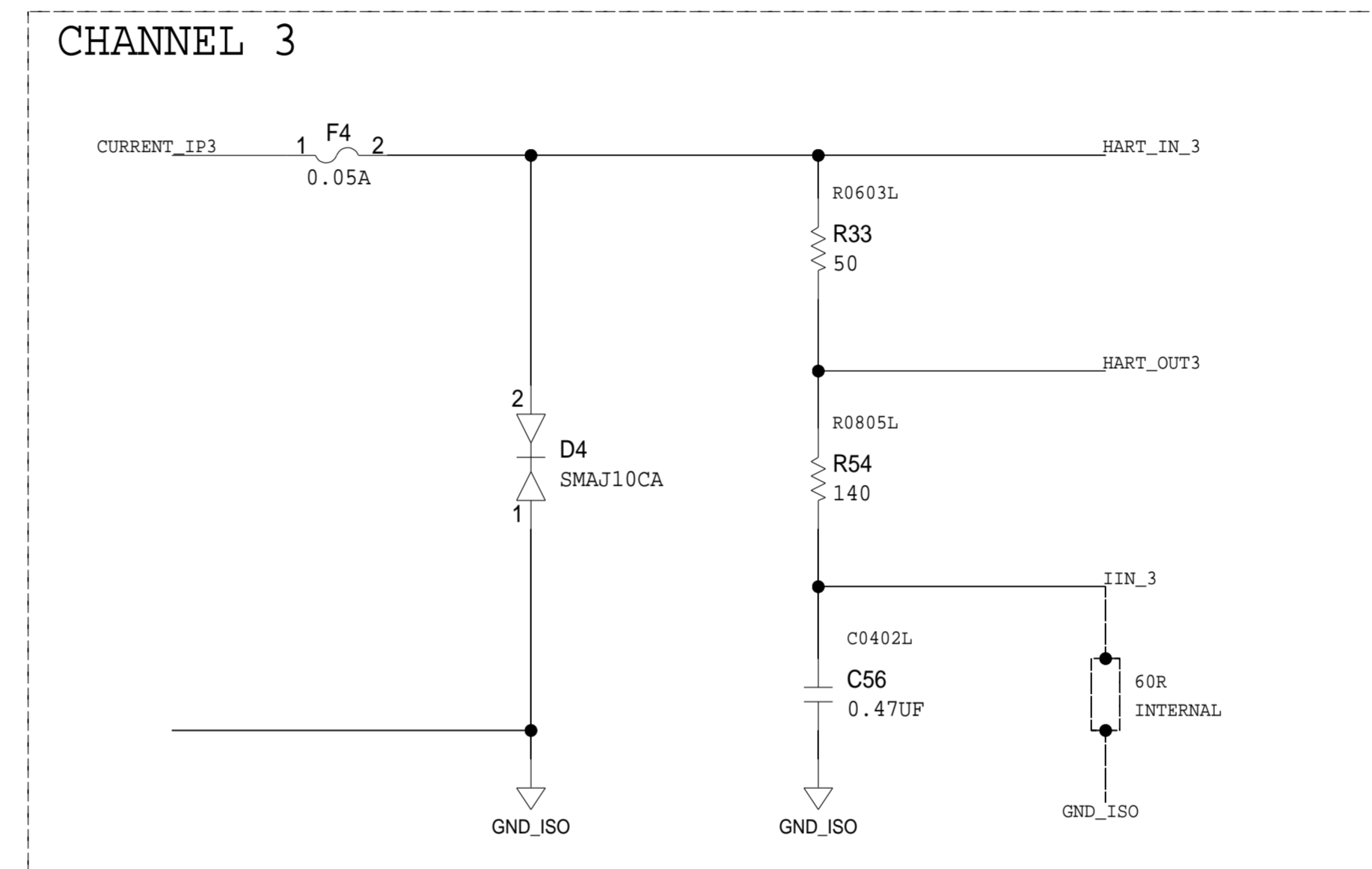
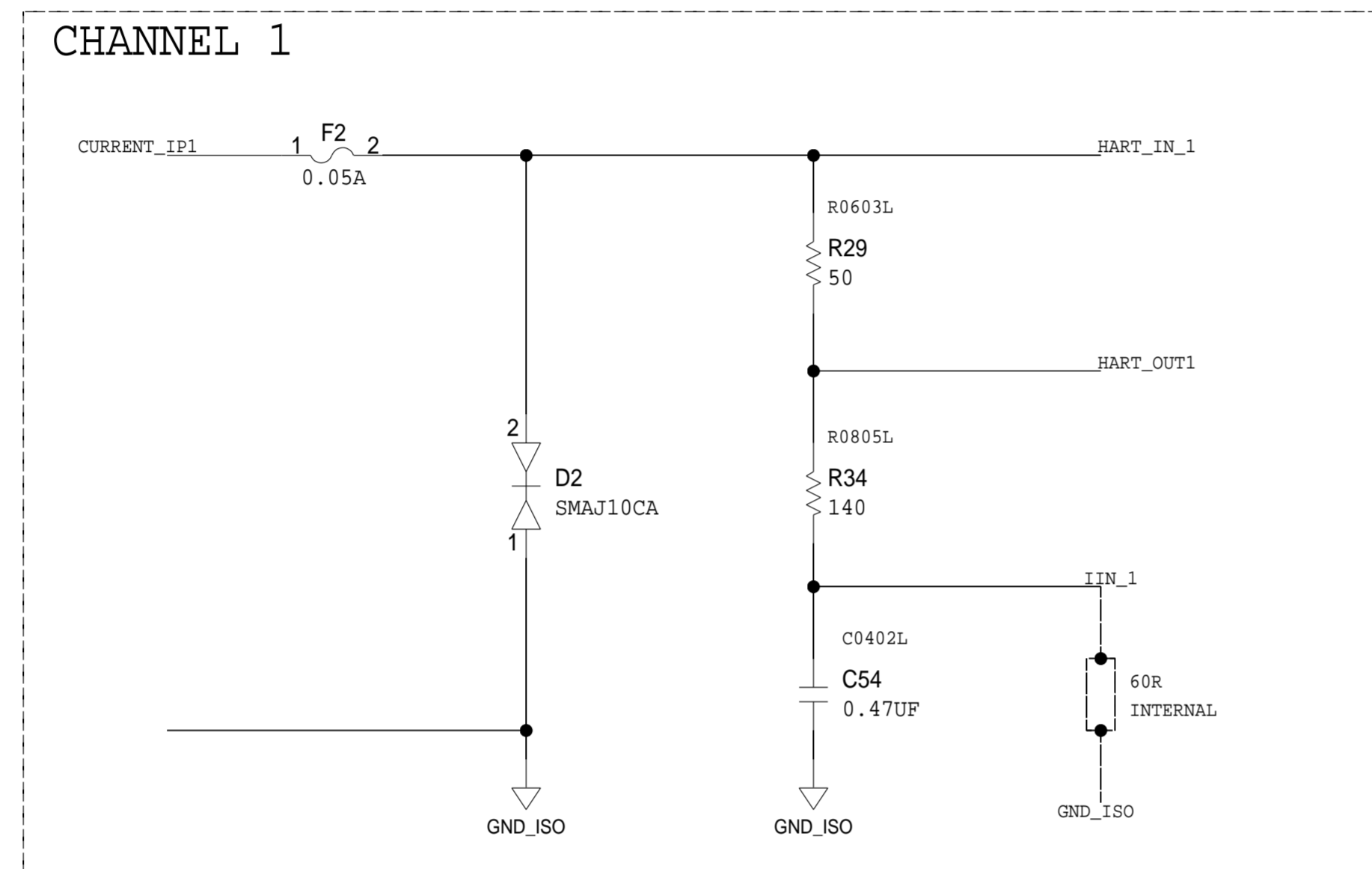
# ADC - AD4111



	<b>SCHEMATIC</b>		
	HW TYPE : Customer Evaluation Z Product(s) : AD7173-8 : AD5700-1		
	DESIGN VIEW <DESIGN_VIEW>	DRAWING NO. 02_049005	REV B
	PTD ENGINEER M. SUCIU	SIZE D	SCALE 1:1
SHEET 5 OF 8			

REVISIONS			
REV	DESCRIPTION	DATE	APPROVED

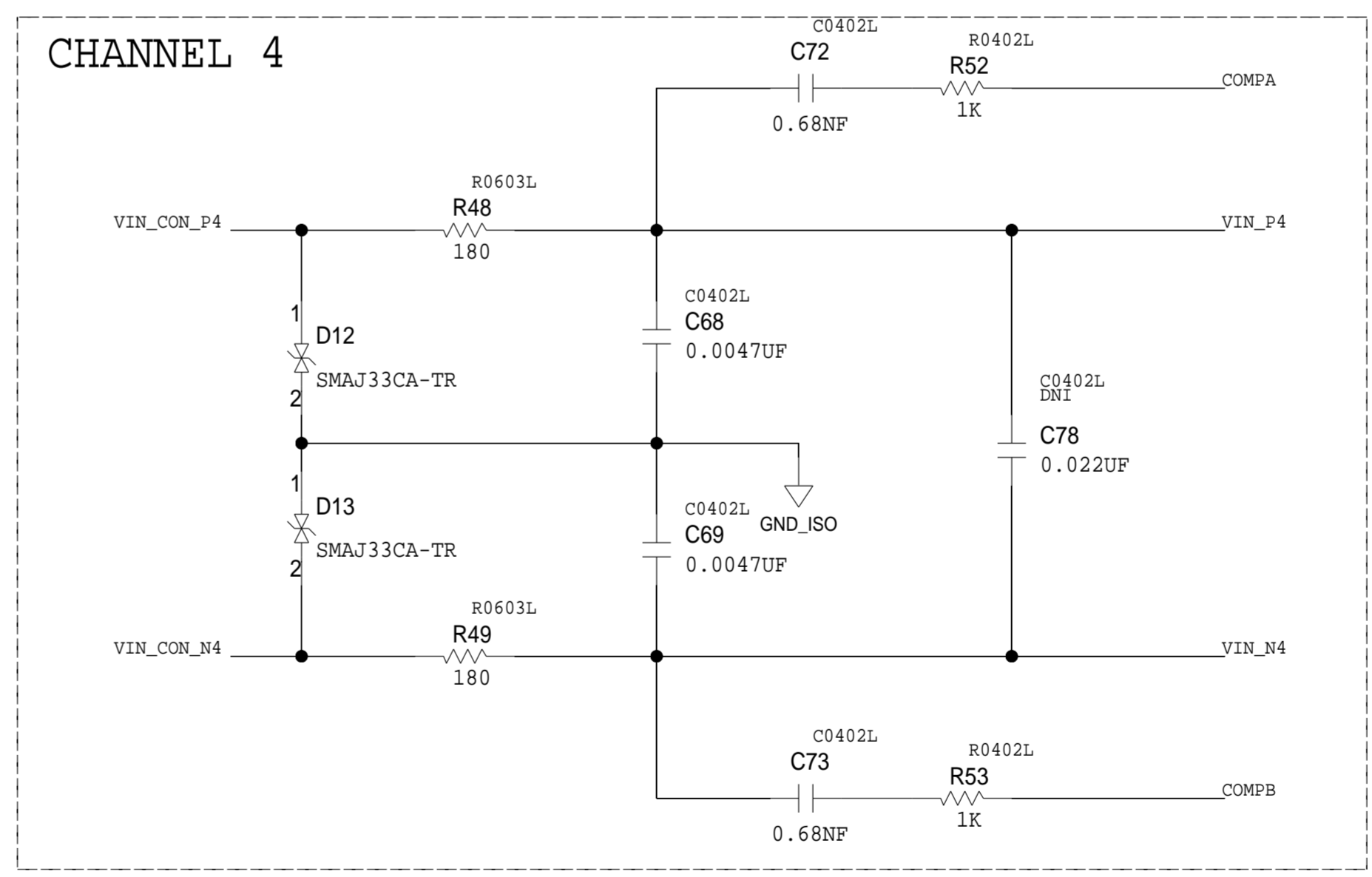
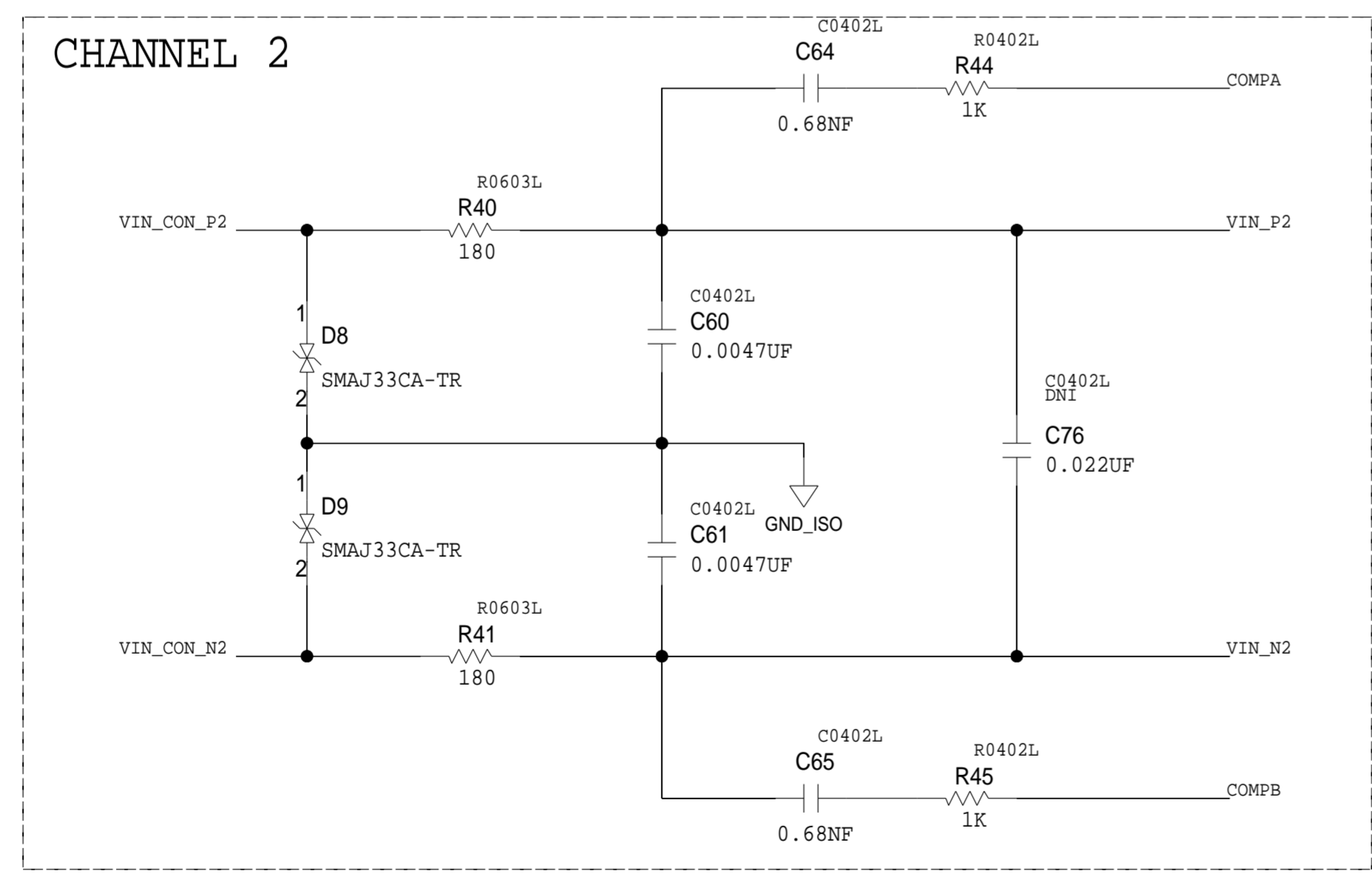
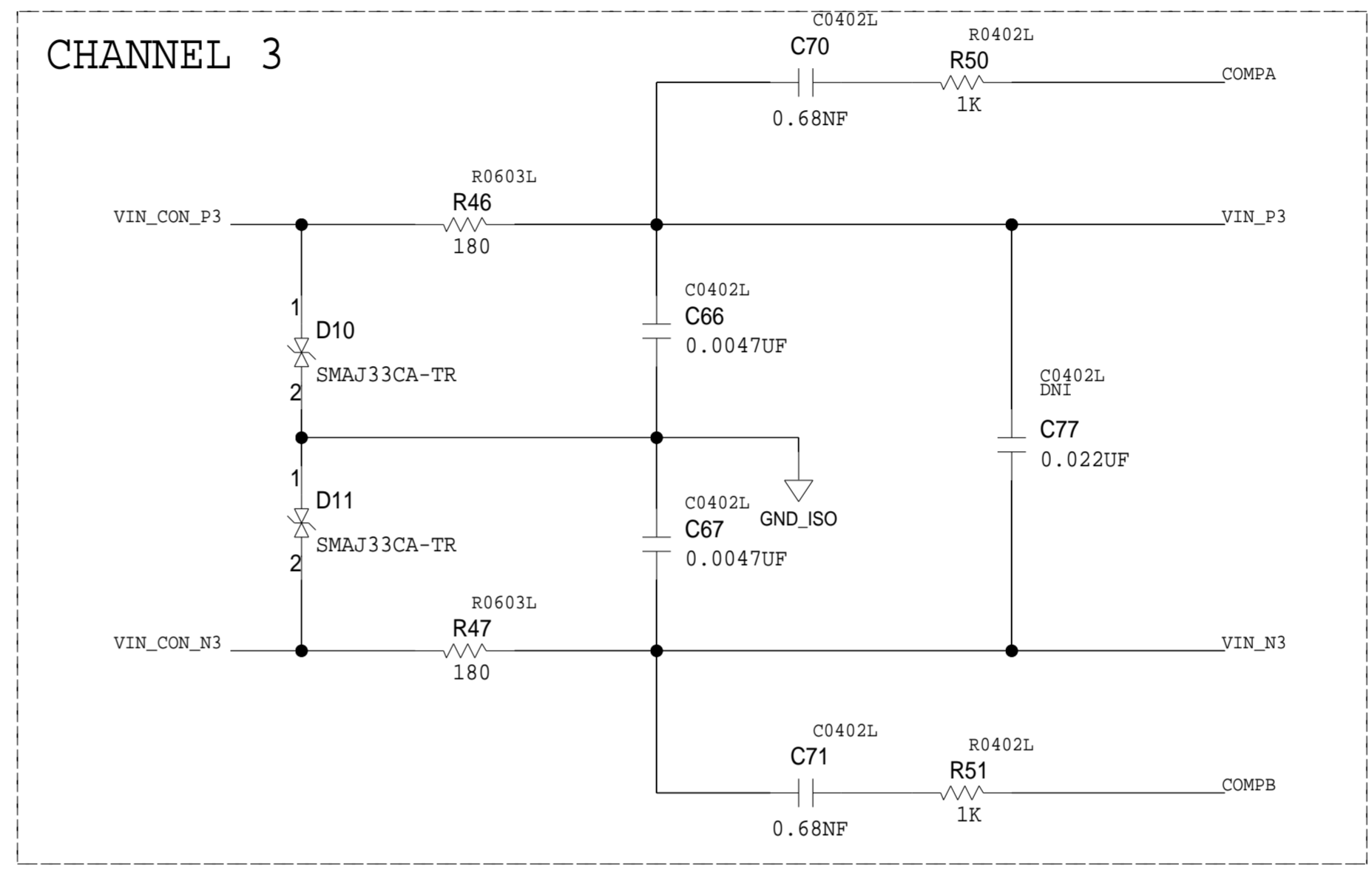
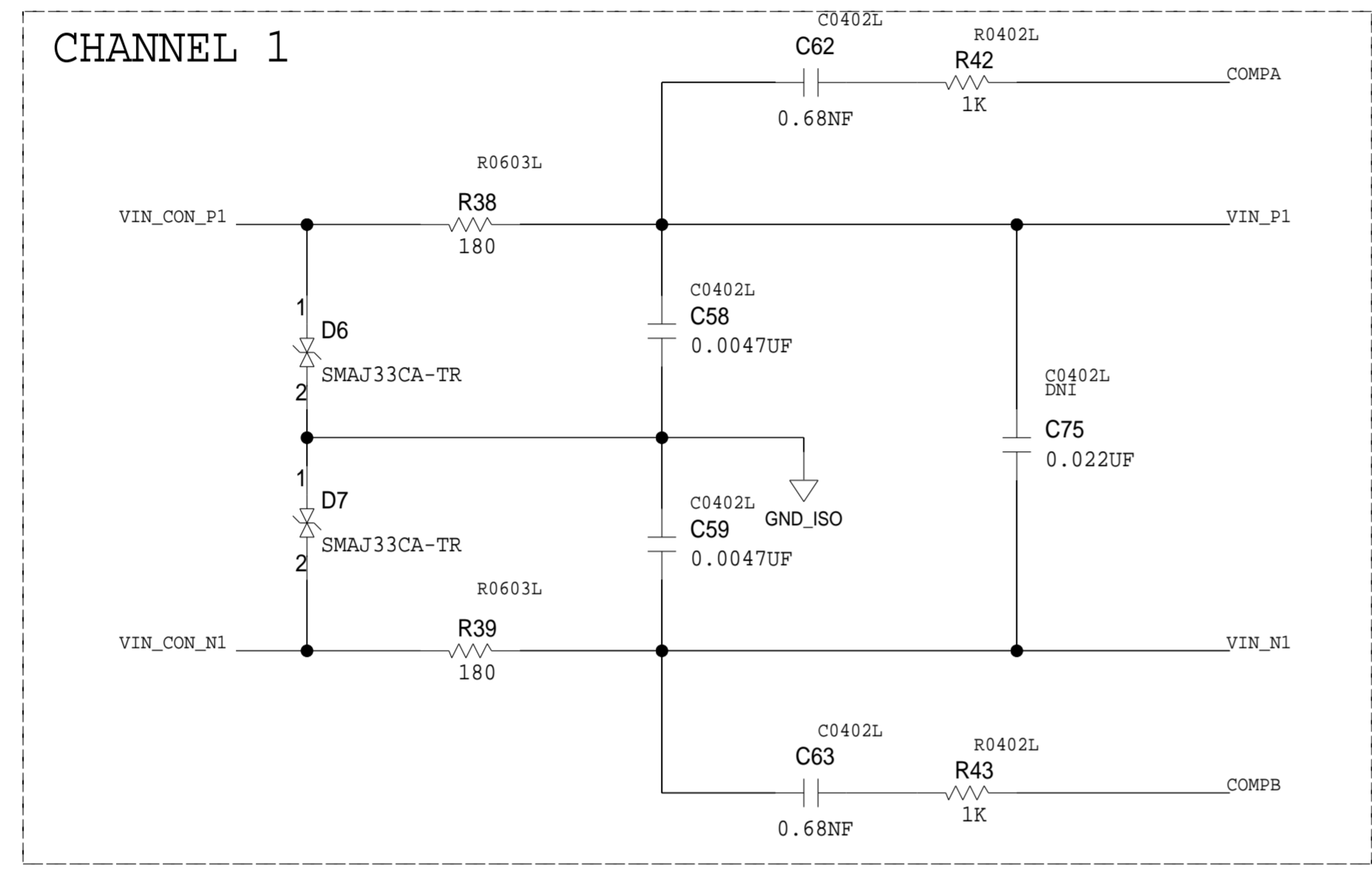
# CURRENT INPUT AD4111



	<b>SCHEMATIC</b>		
	HW TYPE : Customer Evaluation Z Product(s) : AD7173-8 : AD5700-1		
	DESIGN VIEW <DESIGN_VIEW>	DRAWING NO. 02_049005	REV B
	PTD ENGINEER M. SUCIU	SIZE D	SCALE 1:1
		SHEET 6 OF 8	

REVISIONS			
REV	DESCRIPTION	DATE	APPROVED

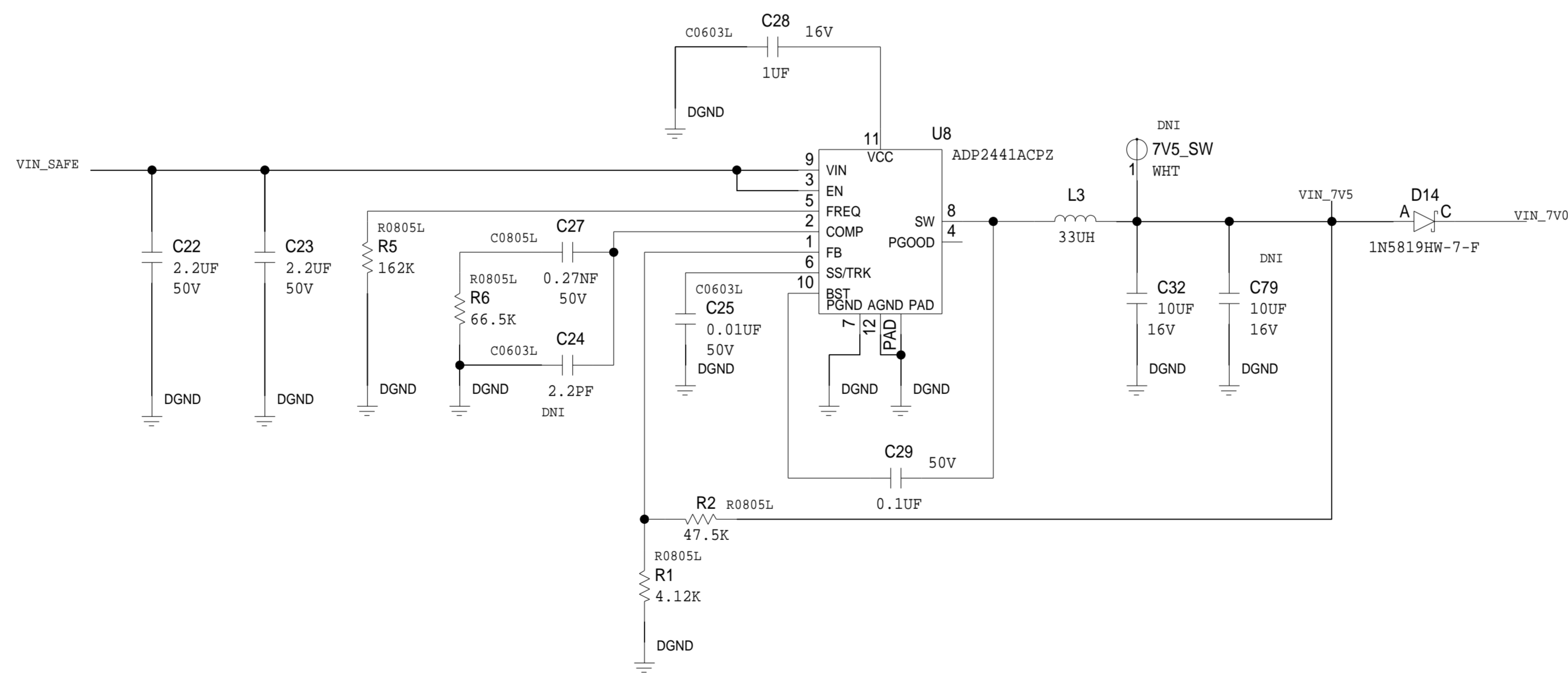
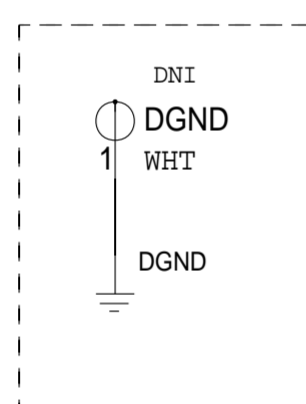
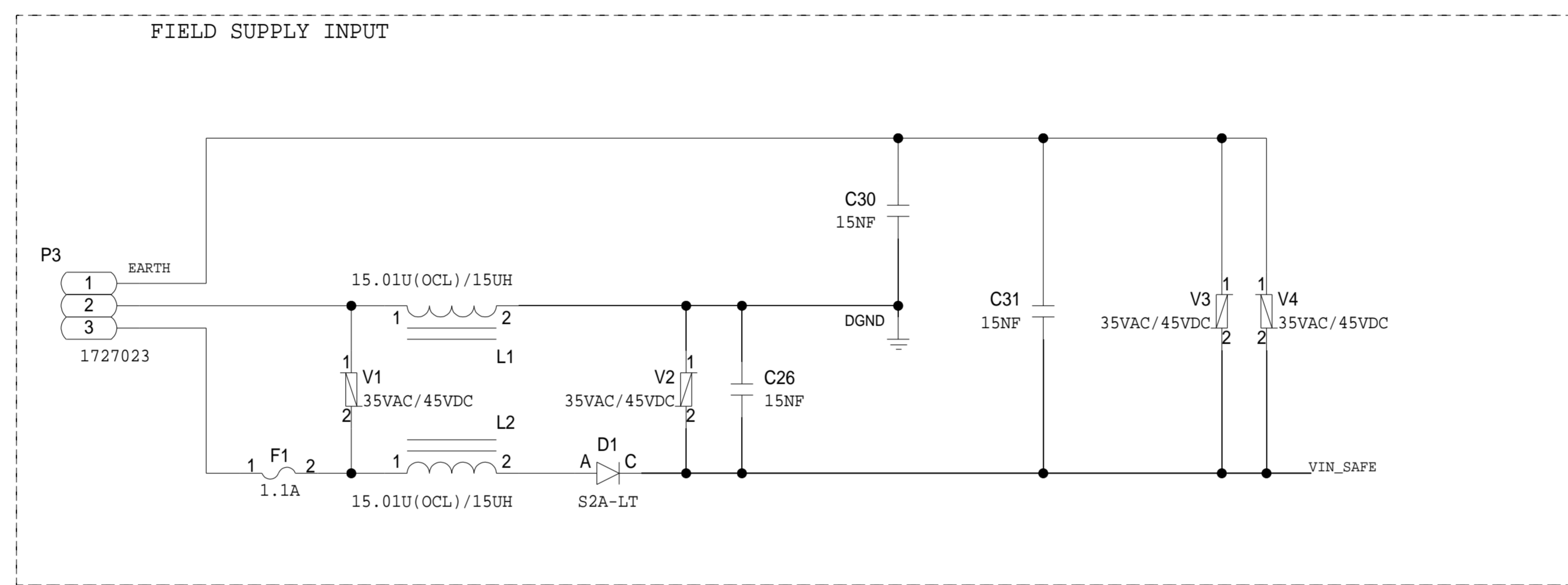
# VOLTAGE INPUT AD4111



	<b>SCHEMATIC</b>		
	HW TYPE : Customer Evaluation Z Product(s) : AD7173-8 : AD5700-1		
	DESIGN VIEW <DESIGN_VIEW>	DRAWING NO. 02_049005	REV B
PTD ENGINEER M. SUCIU	SIZE D	SCALE 1:1	SHEET 7 OF 8

REVISIONS			
REV	DESCRIPTION	DATE	APPROVED

# POWER SUPPLY



	<b>SCHEMATIC</b>		
	HW TYPE : Customer Evaluation Z Product(s) : AD7173-8 : AD5700-1		
	DESIGN VIEW <DESIGN_VIEW>	DRAWING NO. 02_049005	REV B
	PTD ENGINEER M. SUCIU	SIZE <b>D</b> SCALE 1:1	SHEET 8 OF 8