

THIS DRAWING IS THE PROPERTY OF ANALOG DEVICES INC. IT IS NOT TO BE REPRODUCED OR COPIED, IN WHOLE OR IN PART, OR USED IN FURNISHING INFORMATION TO OTHERS, OR FOR ANY OTHER PURPOSE DETRIMENTAL TO THE INTERESTS OF ANALOG DEVICES. THE EQUIPMENT SHOWN HEREON MAY BE PROTECTED BY PATENTS OWNED OR CONTROLLED BY ANALOG DEVICES.

RELAY CONTROL CHART

CONTROL	CODE	DEVICE	FUNCTION	CONNECTOR

JP#	ON	OFF
1		
2		
3		
4		
5		

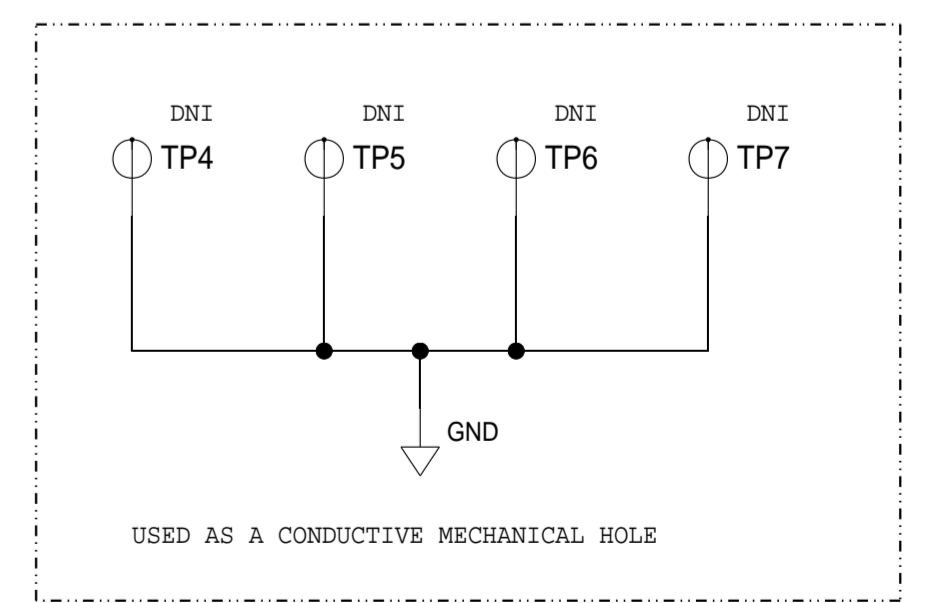
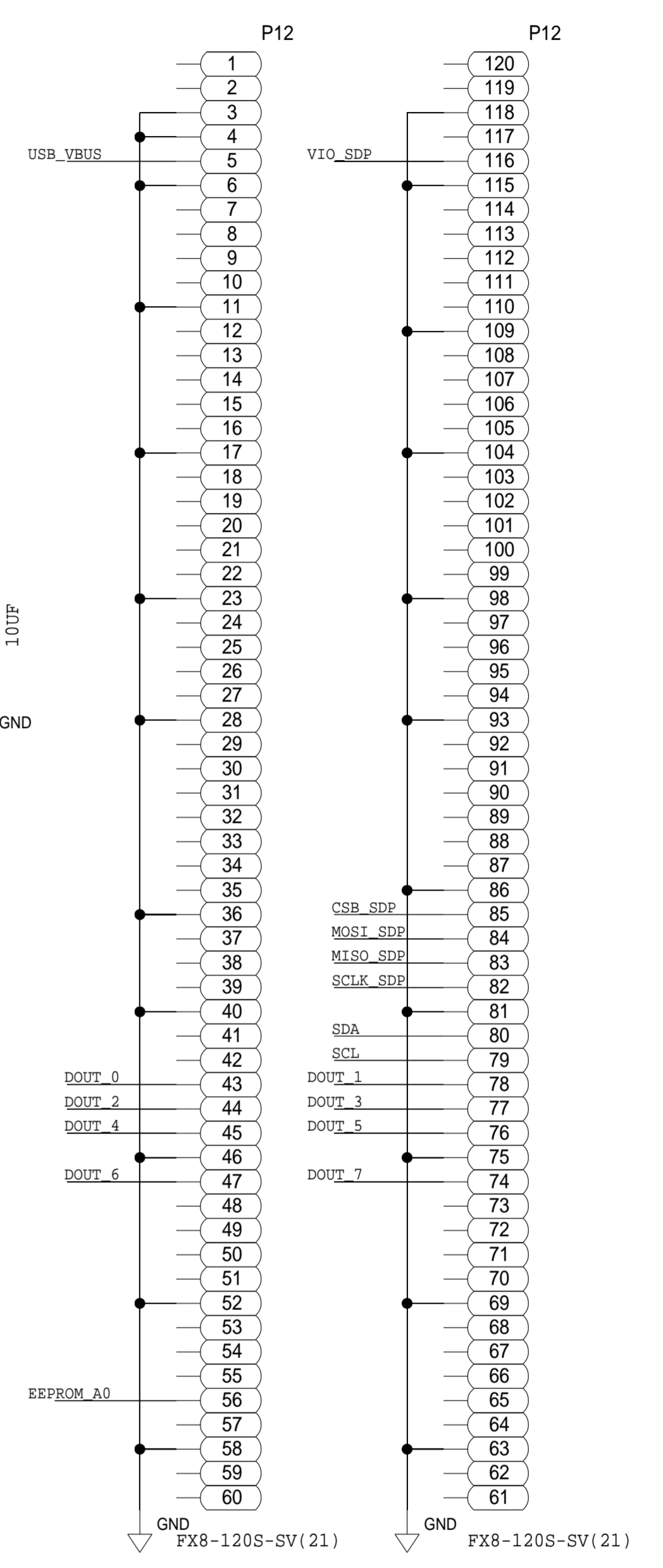
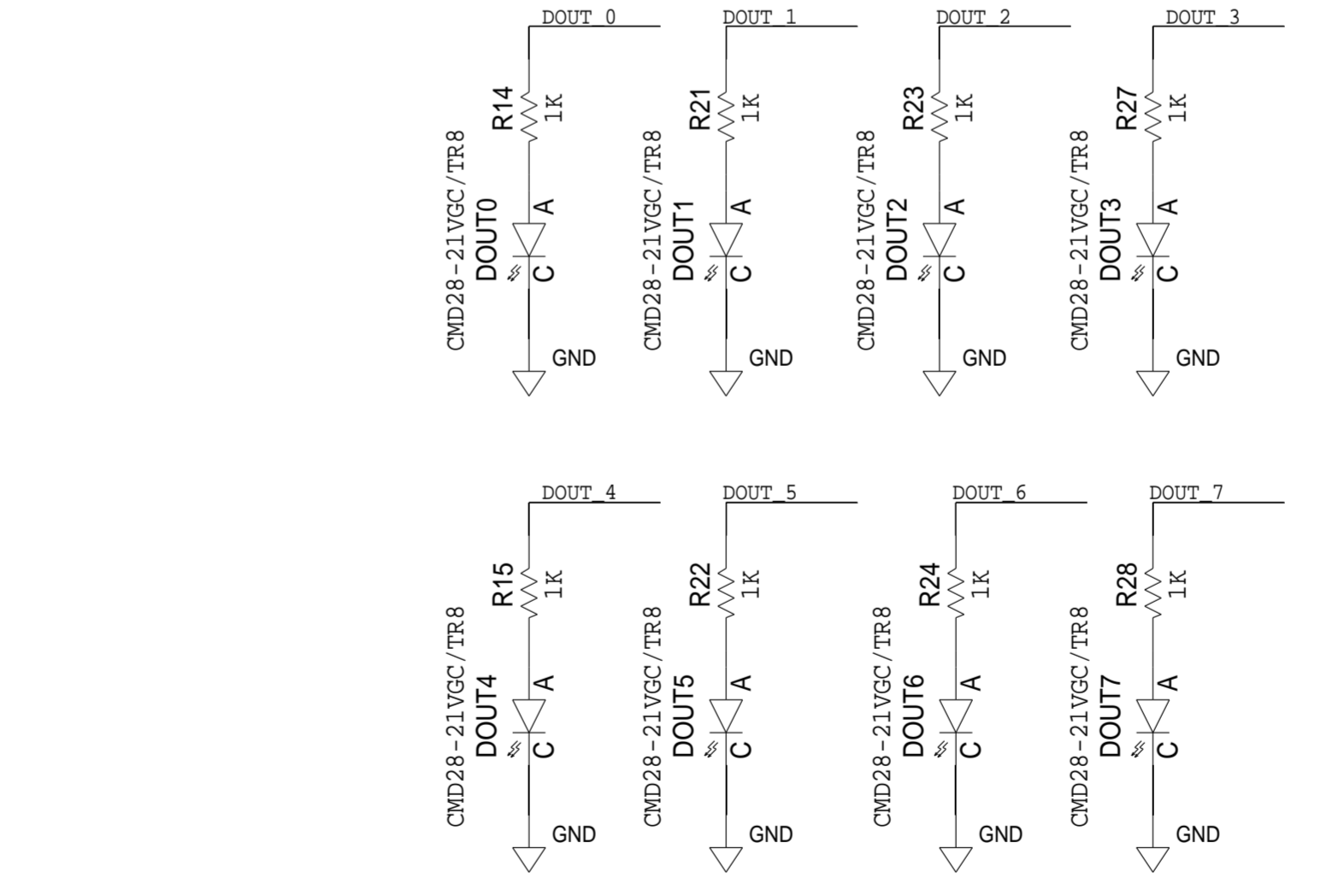
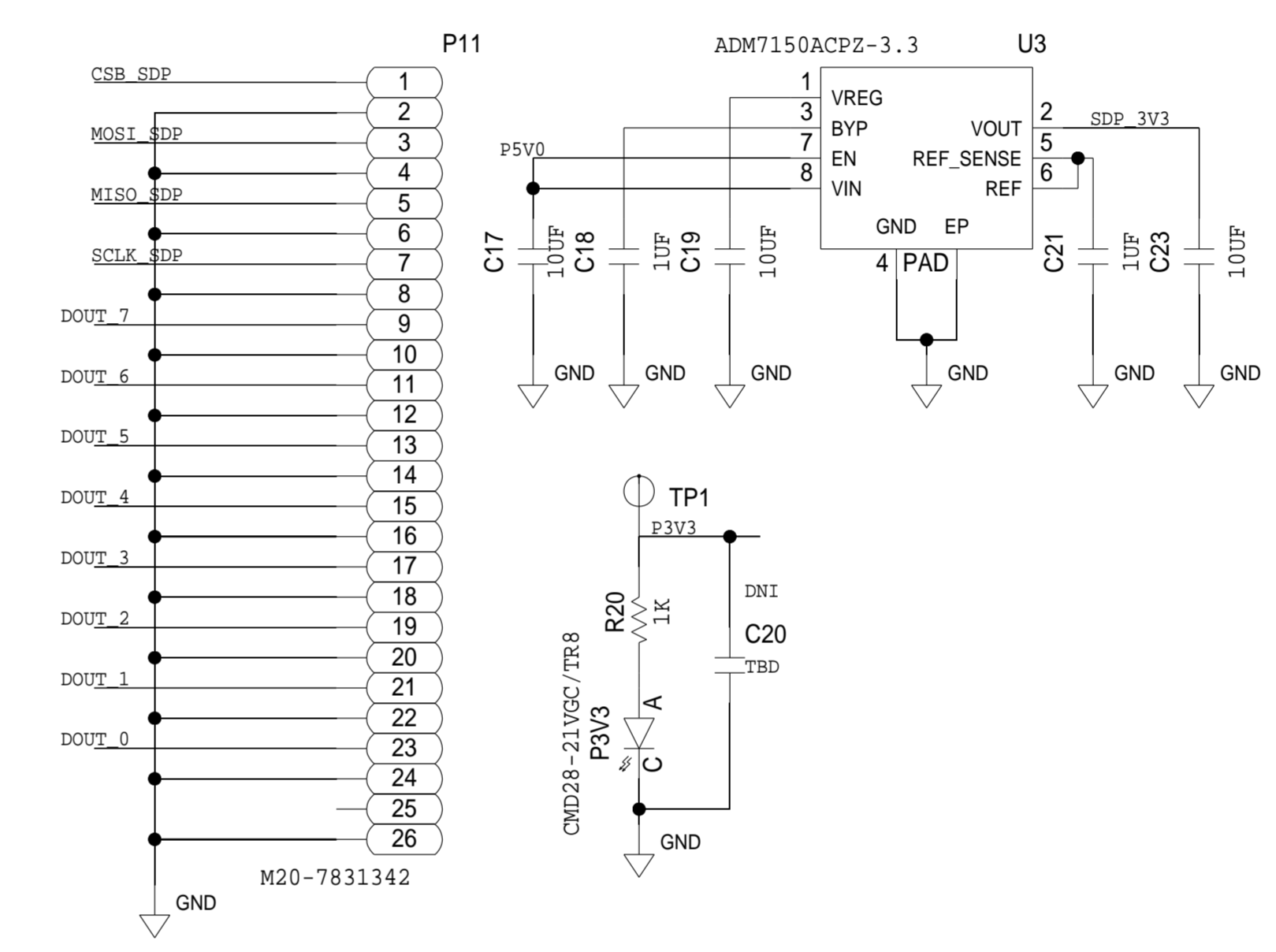
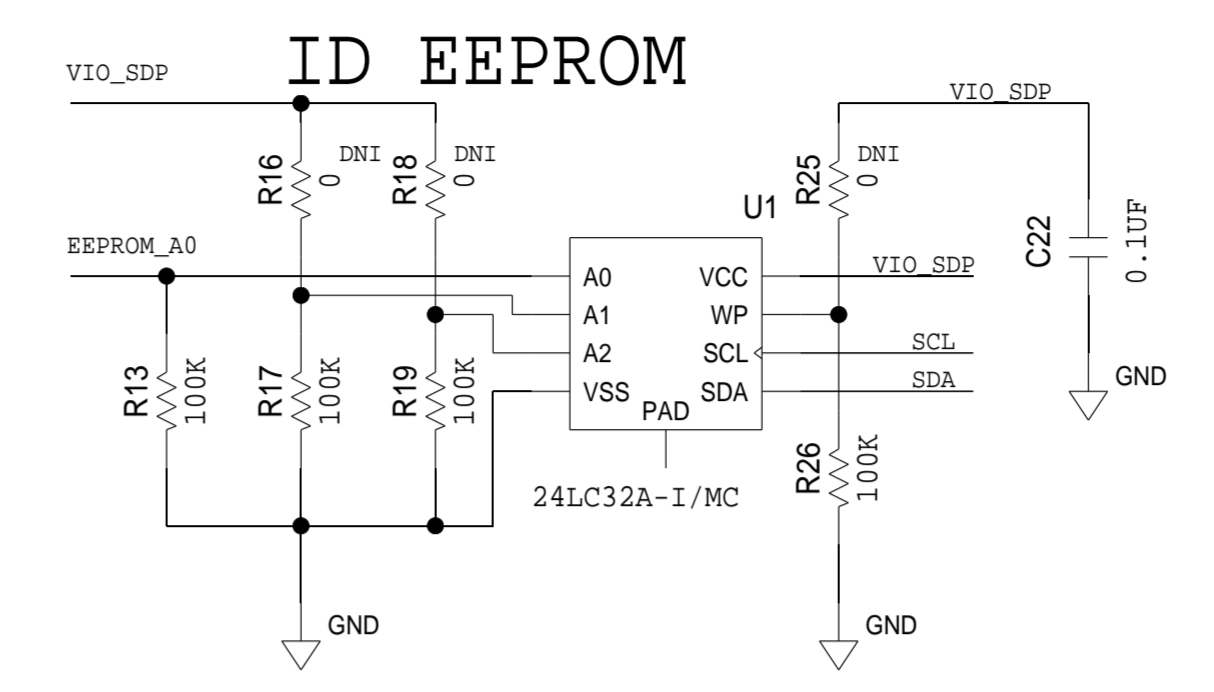
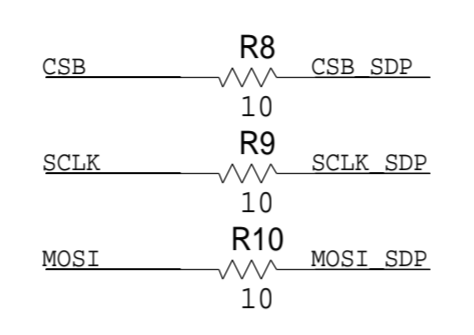
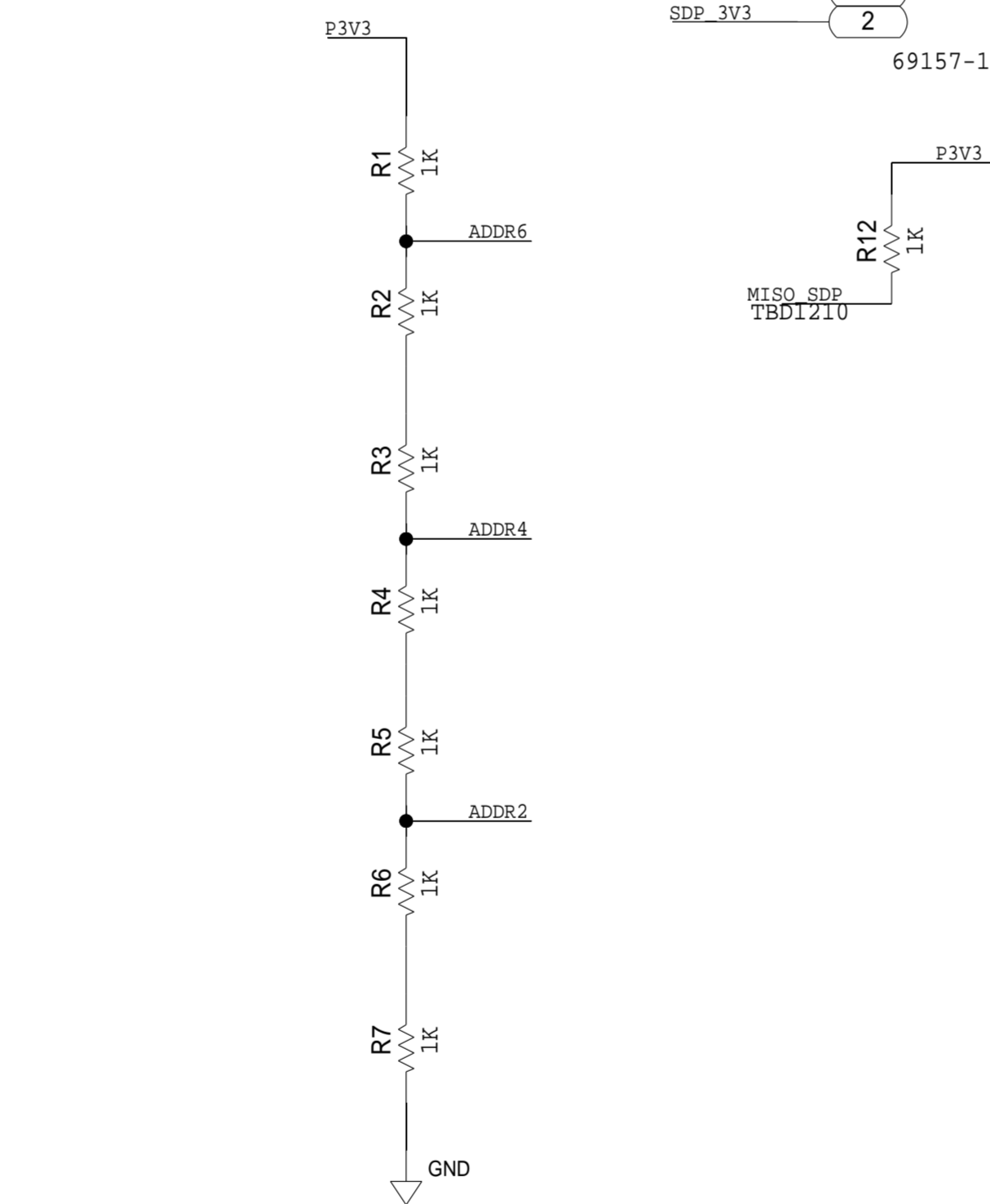
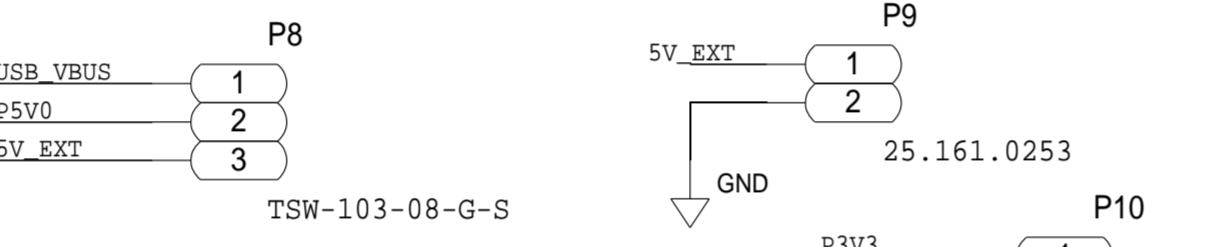
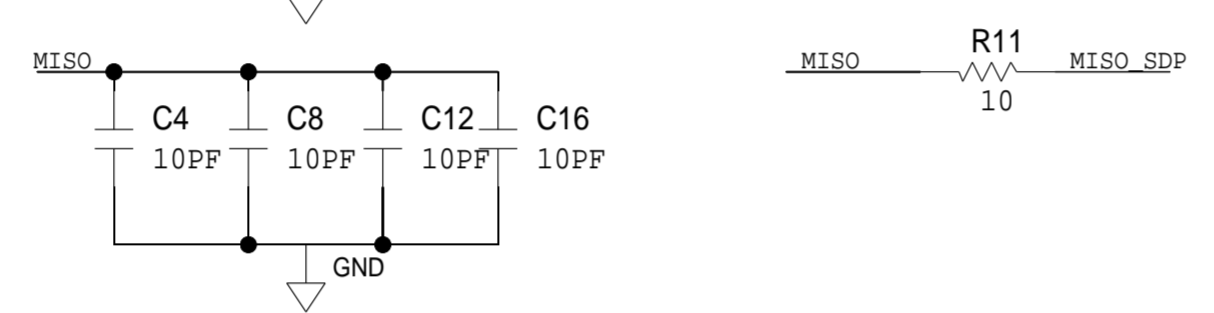
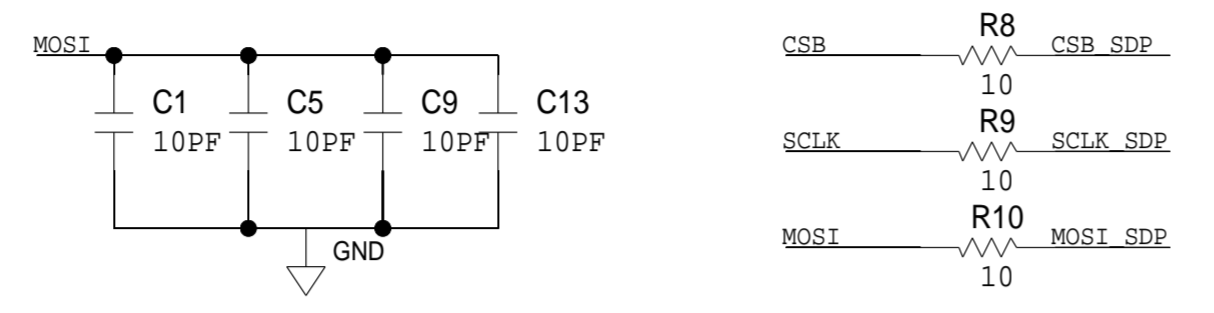
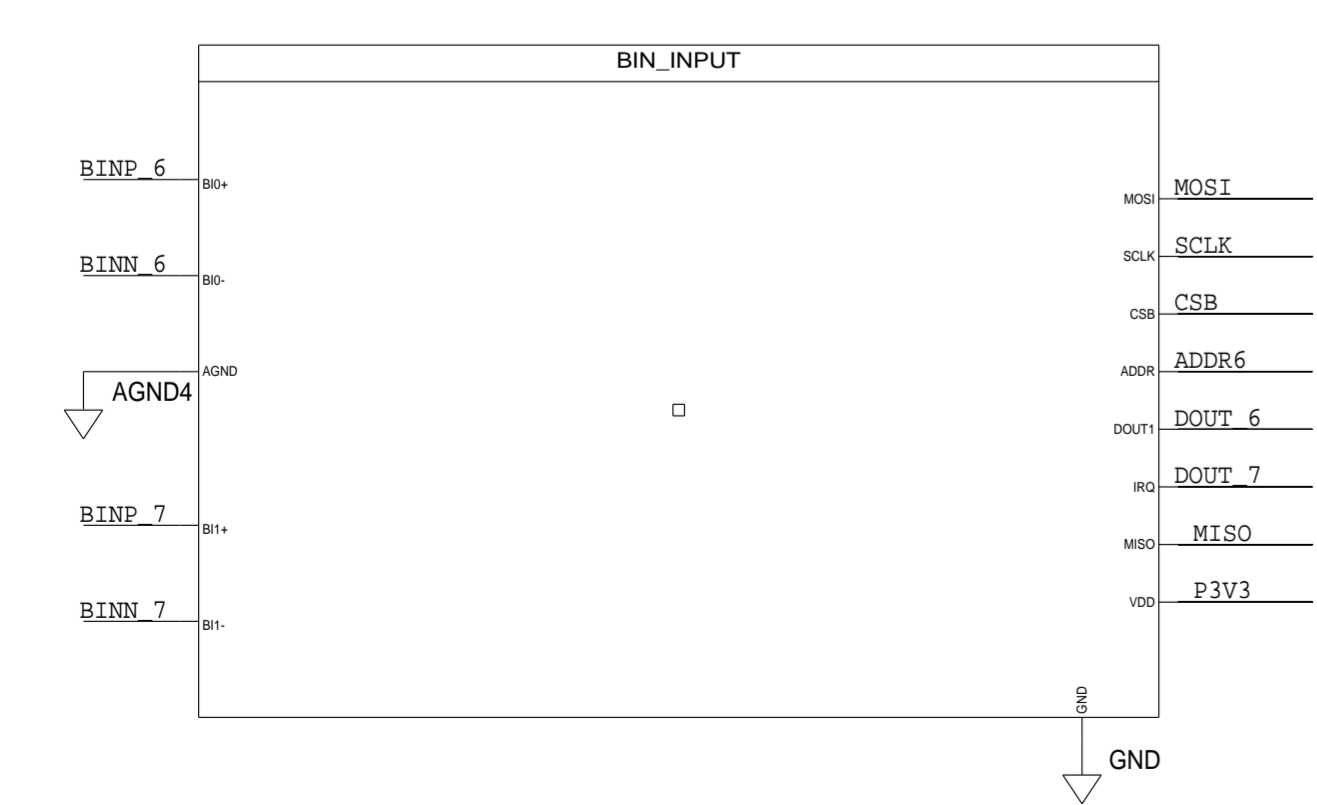
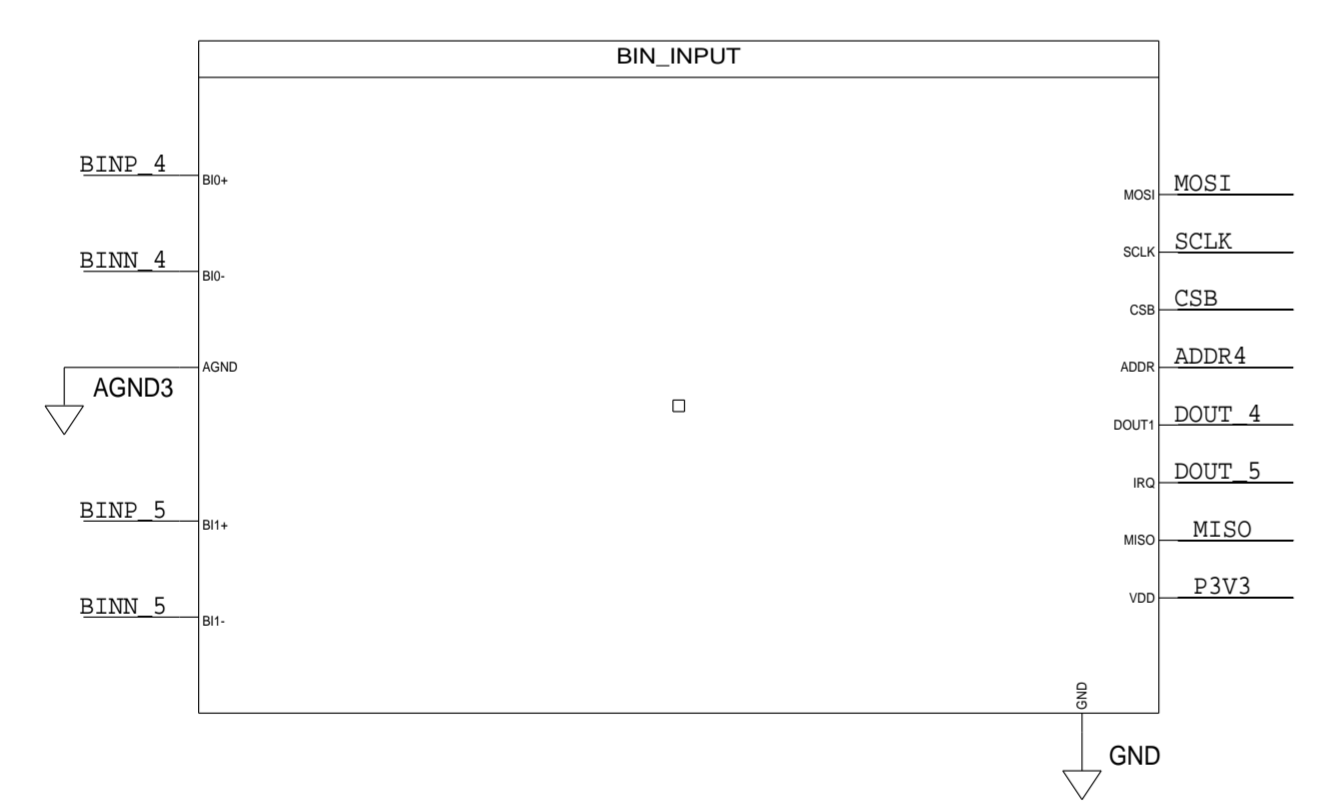
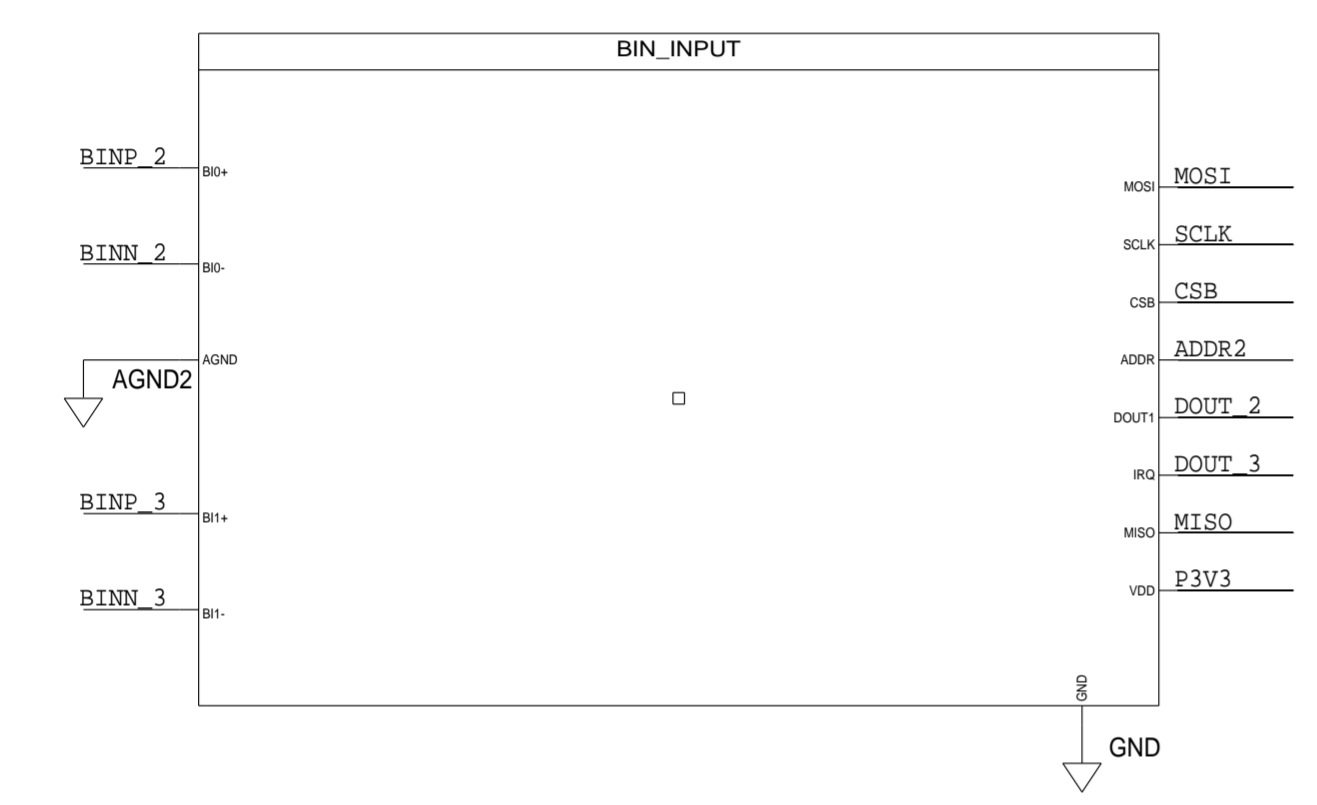
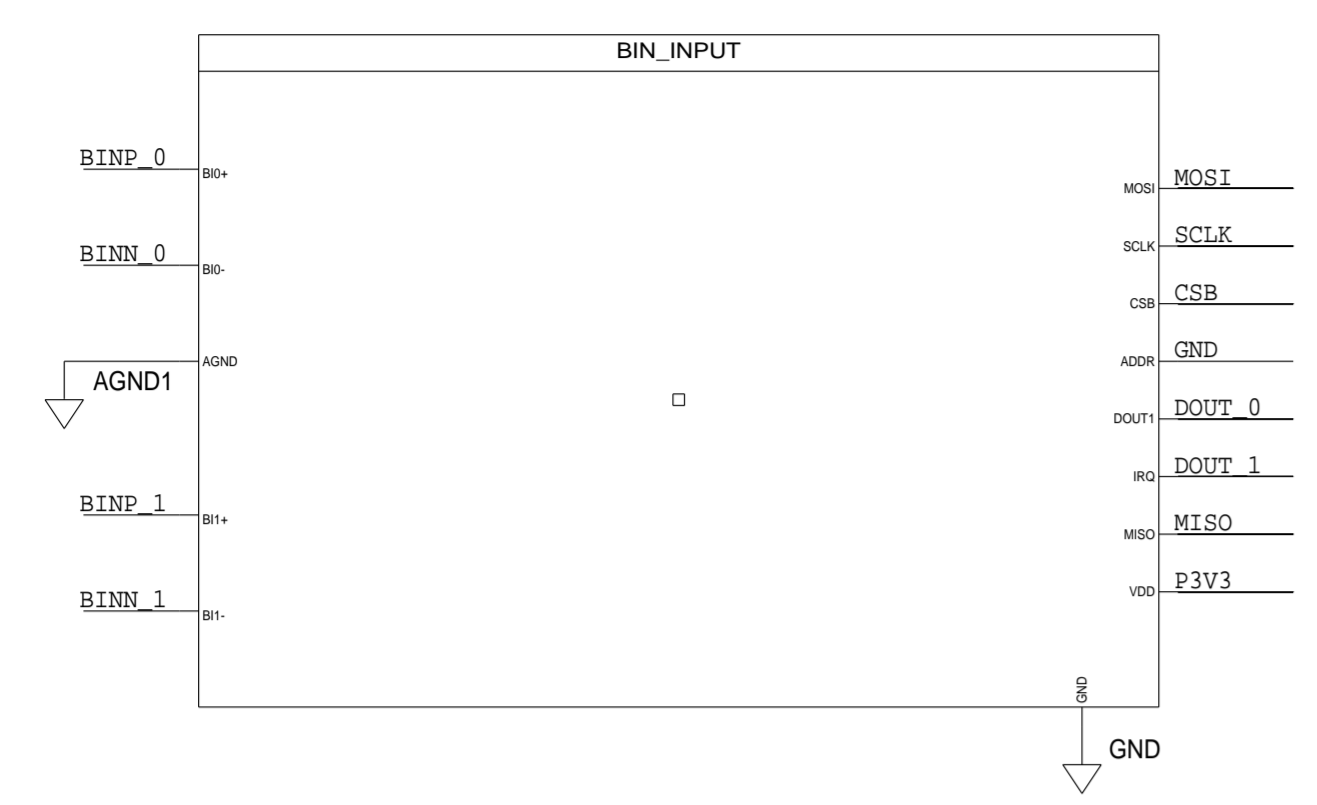
* SEE ASSEMBLY INSTRUCTIONS

REV	DESCRIPTION	DATE	APPROVED
A	INITIAL RELEASE	13DEC18	J.HAN

P.O SPEC.	BK/BD SPEC.	SOCKET OEM	OEM PART#	HANDLER

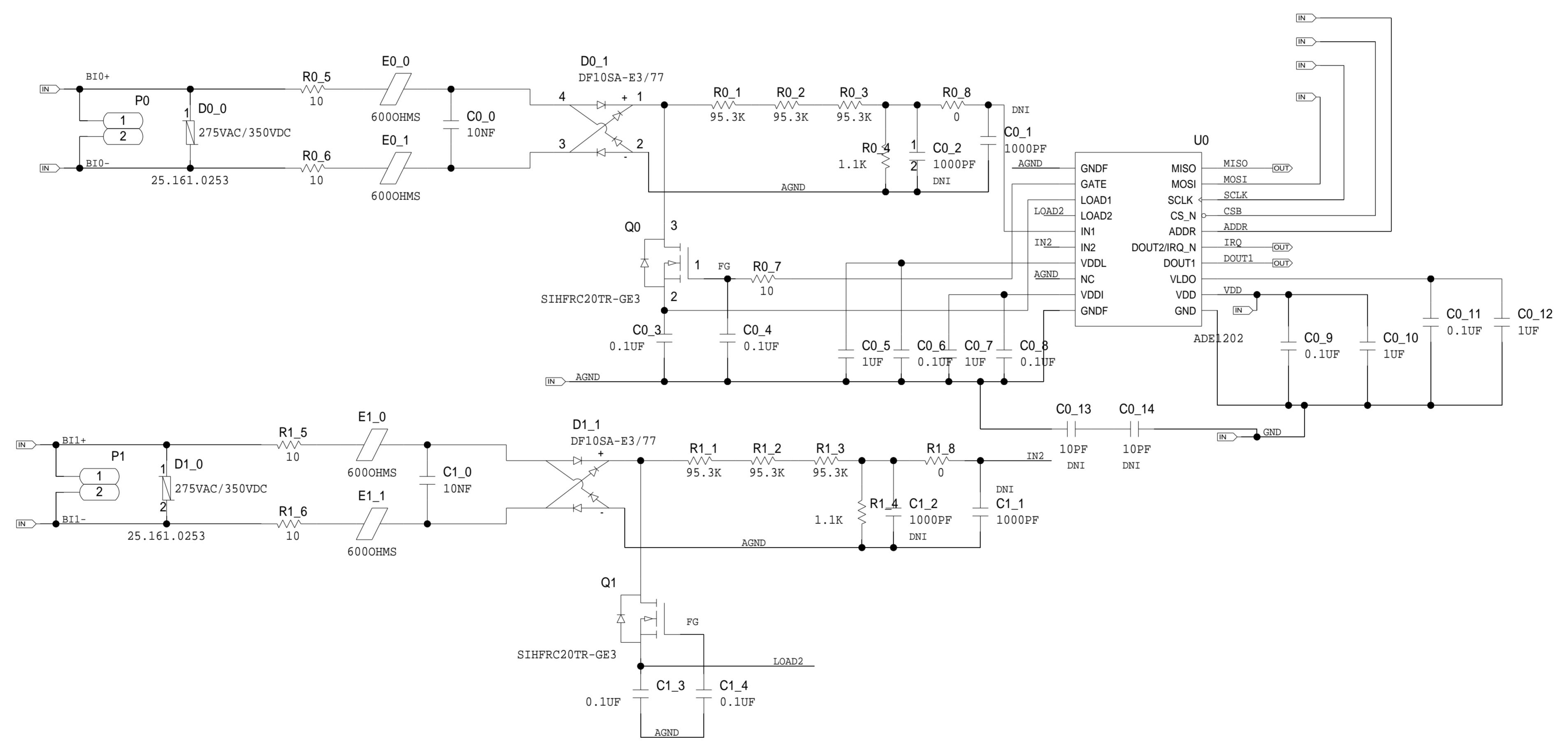
TEMPLATE ENGINEER	DATE	SCHEMATIC			
HARDWARE SERVICES R.MACDONALD	13DEC18	HW TYPE : Customer Evaluation Z Product(s): ADE1202 : ADE1202			
HARDWARE SYSTEMS		PACKAGE : 20-lead 5X8_MM LGA-family : Pitch-pitch StyleVendor Style			
TEST ENGINEER		<User Define>			
COMPONENT ENGINEER A.CAUILAN-AGENA	13DEC18	<User Define>			
TEST PROCESS		<User Define>			
HARDWARE RELEASE K.JABATAN	13DEC18	<User Define>			
DESIGNER N.CORDOVA	13DEC18	MASTER PROJECT TEMPLATE TBD	TESTER TEMPLATE no_template	DRAWING NO.	REV.
PTD ENGINEER J.HAN	13DEC18	UNLESS OTHERWISE SPECIFIED DIMENSIONS ARE IN INCHES		02_050322	A
CHECKER		TOLERANCES			
		DECIMALS X.XX +0.010 X.XXX +0.005	FRACTIONS +1/32	ANGLES +2	
		SIZE D	SCALE 1:1	CODE ID NO. CodeID	SHEET 1 OF 6

REVISIONS			
REV	DESCRIPTION	DATE	APPROVED



	SCHEMATIC		
	HW TYPE : Customer Evaluation Z Product(s) : ADE1202 : ADE1202		
DESIGN VIEW <DESIGN_VIEW>	DRAWING NO. 02_050322	REV A	
PTD ENGINEER J. HAN	SIZE D	SCALE 1:1	SHEET 2 OF 6

REVISIONS			
REV	DESCRIPTION	DATE	APPROVED



	SCHEMATIC		
	HW TYPE : Customer Evaluation Z Product(s) : ADE1202 : ADE1202		
DESIGN VIEW <DESIGN_VIEW>	DRAWING NO. 02_050322	REV A	
PTD ENGINEER J. HAN	SIZE D	SCALE 1:1	SHEET 3 OF 6

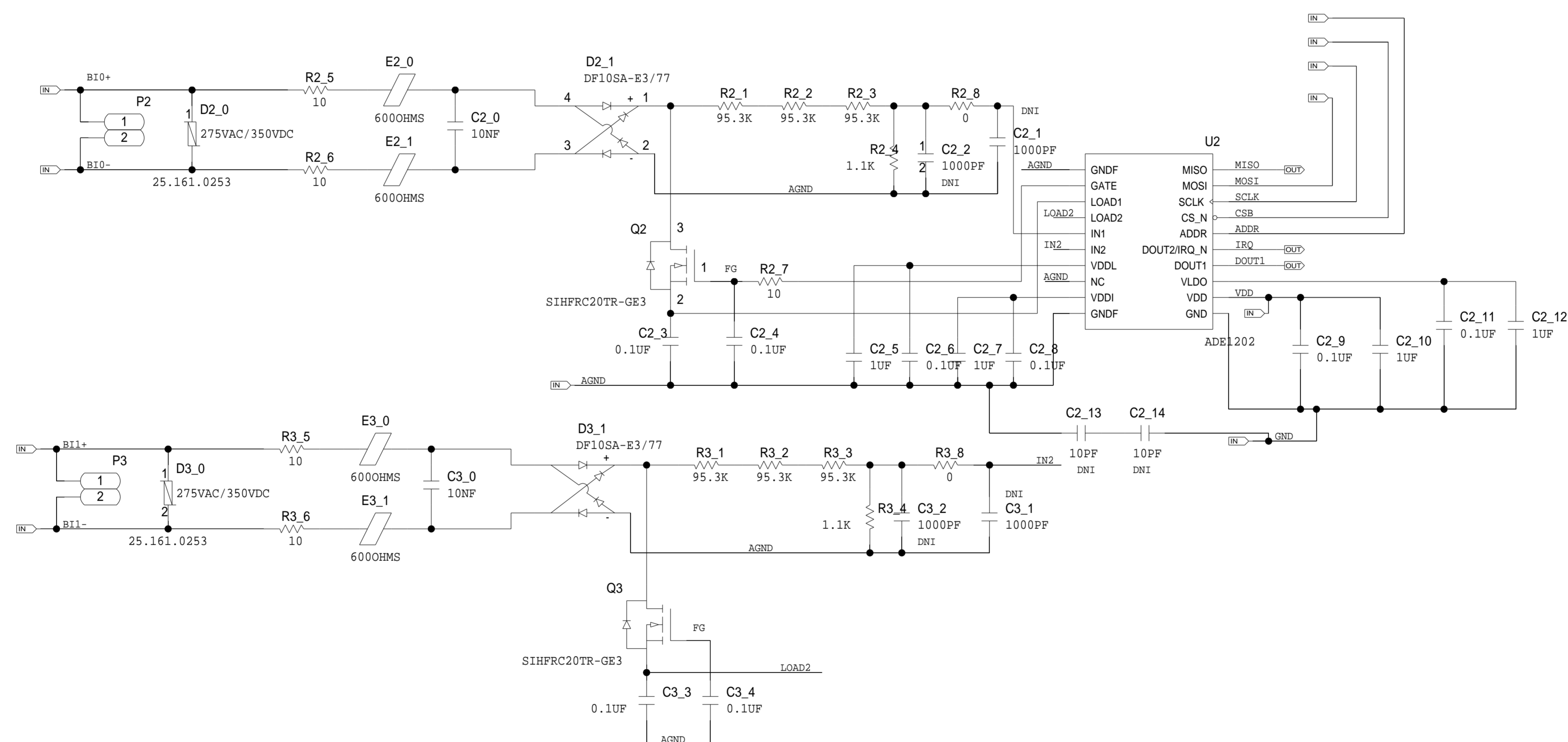
8 7 6 5 4 3 2 1

8 7 6 5 4 3 2 1

D
C
B
A

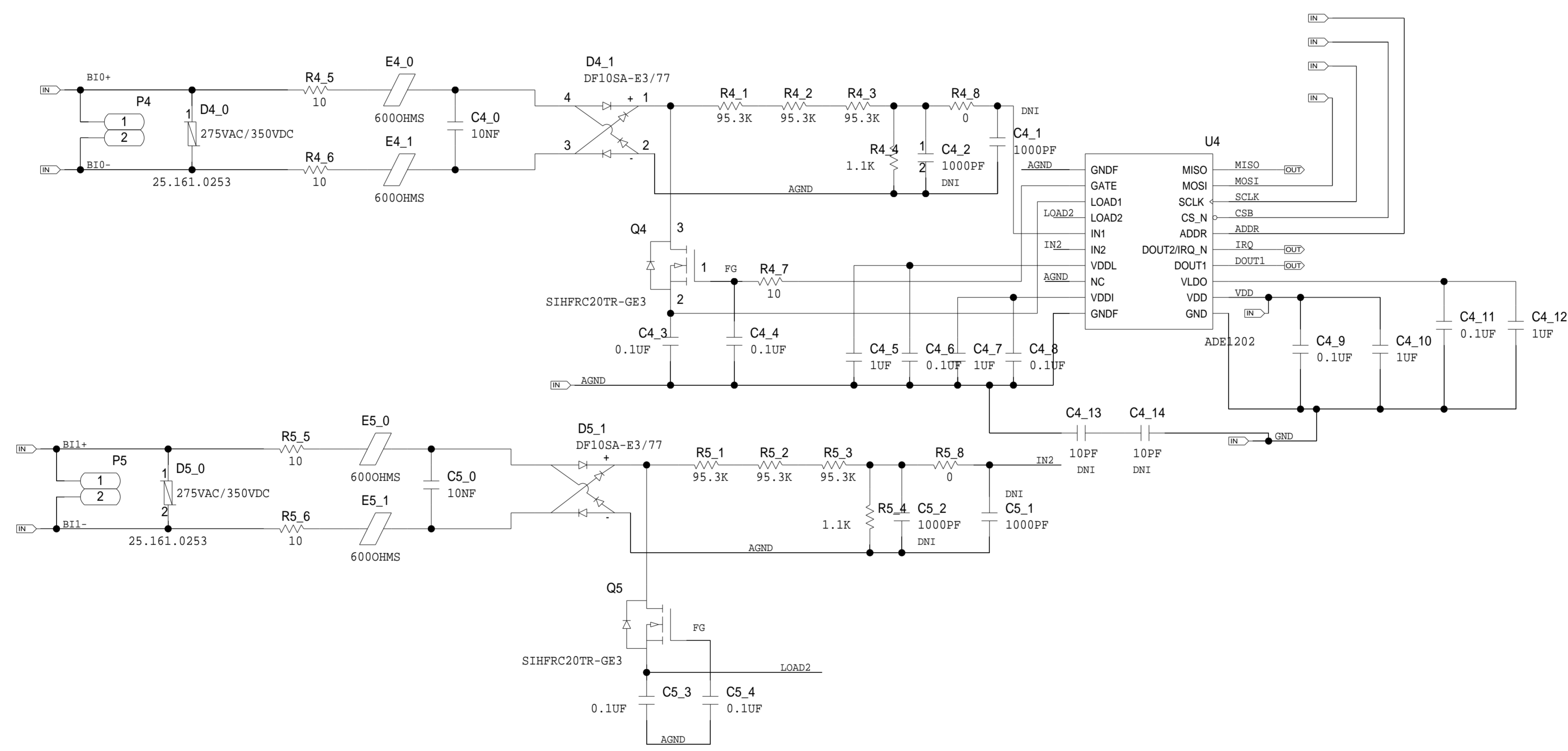
D
C
B
A

REVISIONS			
REV	DESCRIPTION	DATE	APPROVED



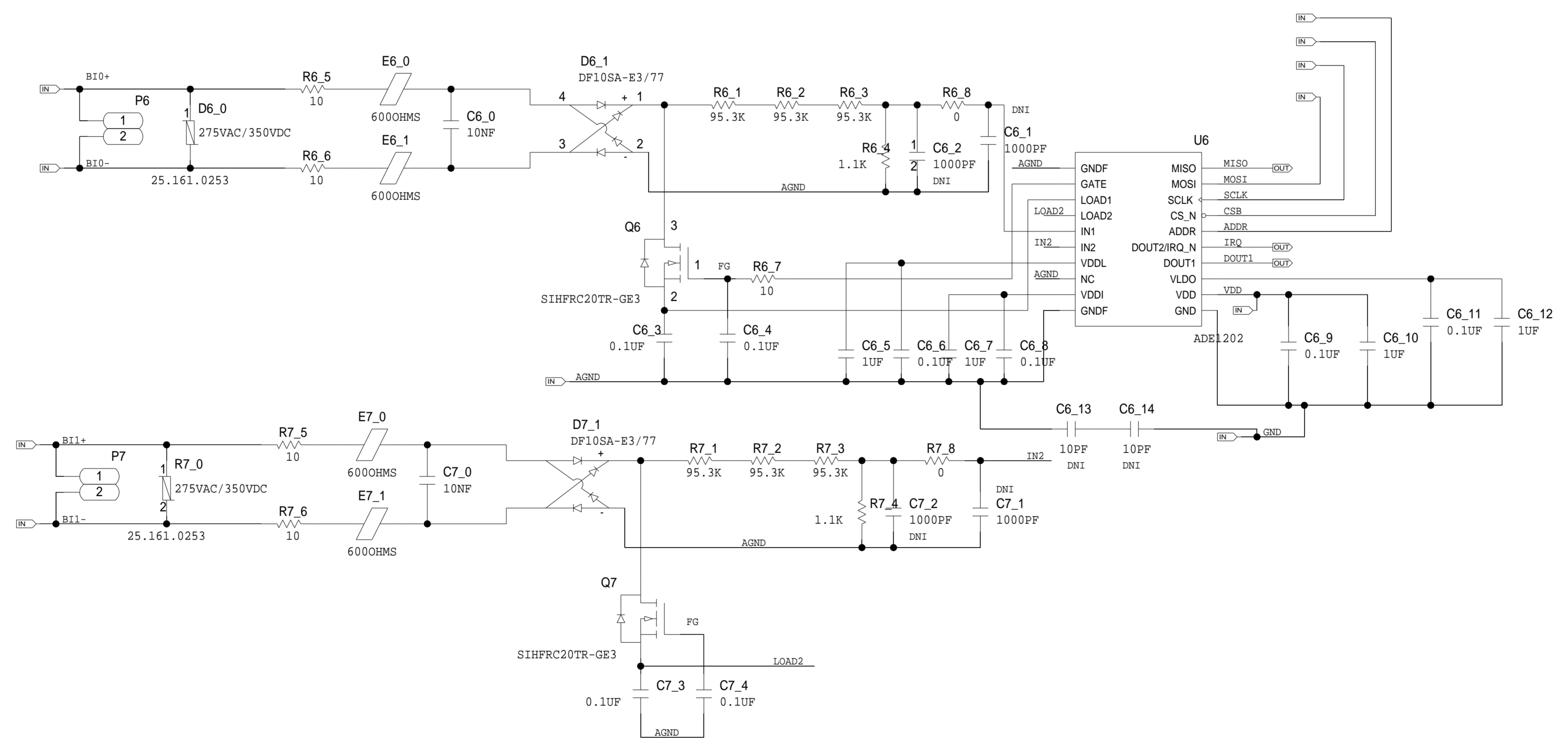
	SCHEMATIC		
	HW TYPE : Customer Evaluation Z Product(s) : ADE1202 : ADE1202		
	DESIGN VIEW <DESIGN_VIEW>	DRAWING NO. 02_050322	REV A
	PTD ENGINEER J. HAN	SIZE D	SCALE 1:1
		SHEET 4 OF 6	

REVISIONS			
REV	DESCRIPTION	DATE	APPROVED



	SCHEMATIC		
	HW TYPE : Customer Evaluation Z Product(s) : ADE1202 : ADE1202		
	DESIGN VIEW <DESIGN_VIEW>	DRAWING NO. 02_050322	REV A
PTD ENGINEER J. HAN	SIZE D	SCALE 1:1	SHEET 5 OF 6

REVISIONS			
REV	DESCRIPTION	DATE	APPROVED



	SCHEMATIC		
	HW TYPE : Customer Evaluation Z Product(s) : ADE1202 : ADE1202		
	DESIGN VIEW <DESIGN_VIEW>	DRAWING NO. 02_050322	REV A
	PTD ENGINEER J. HAN	SIZE D SCALE 1:1 SHEET 6 OF 6	