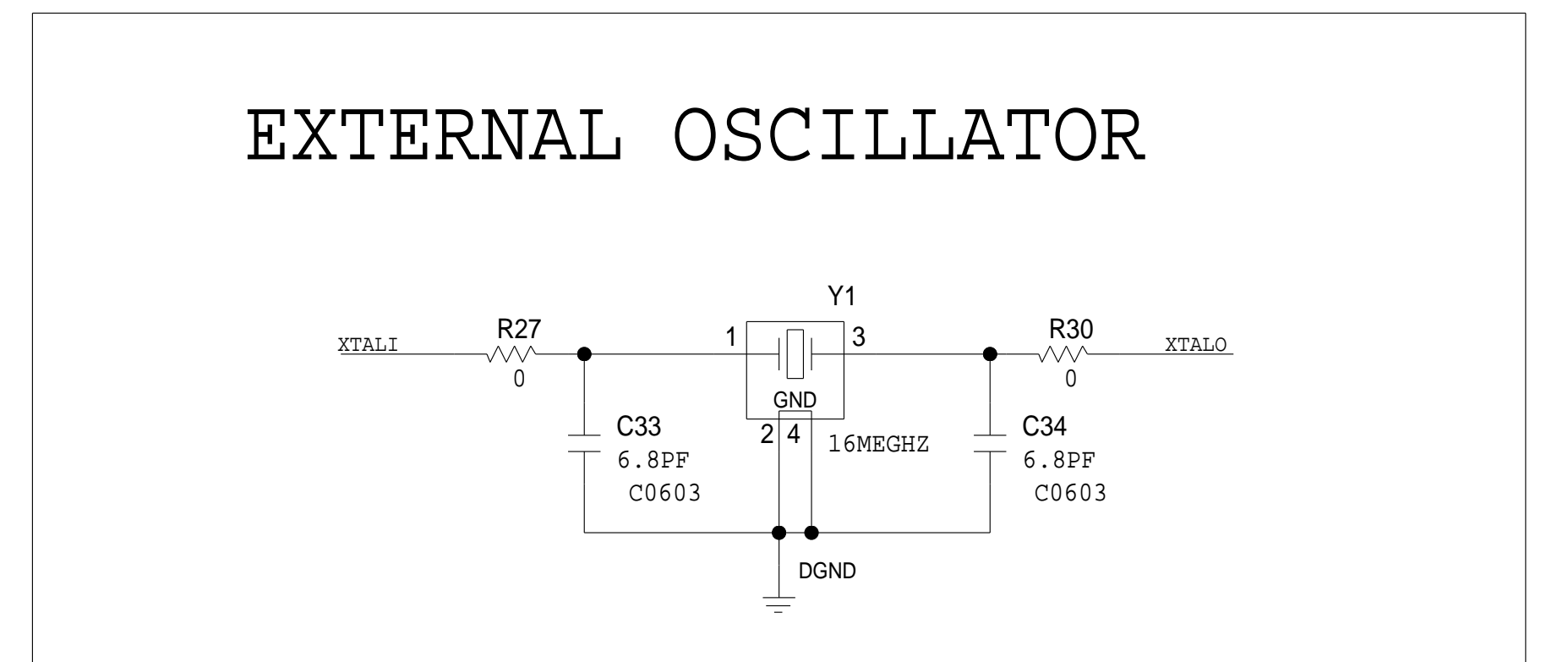
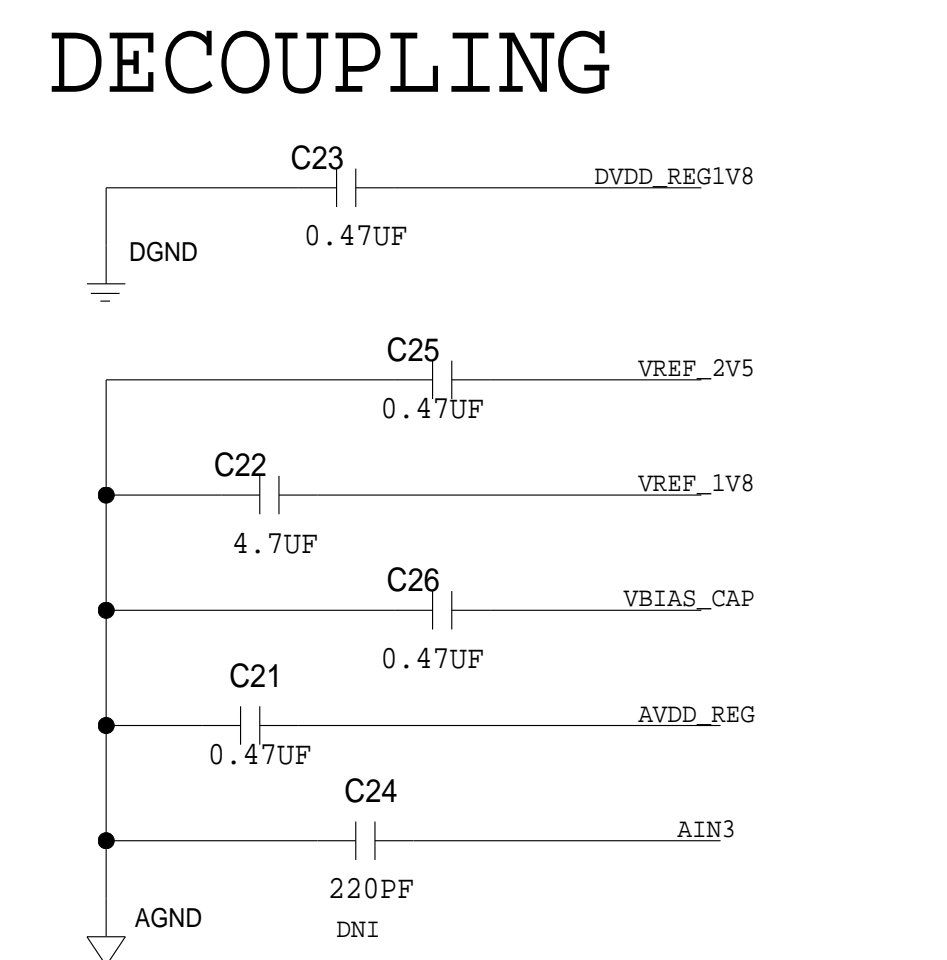
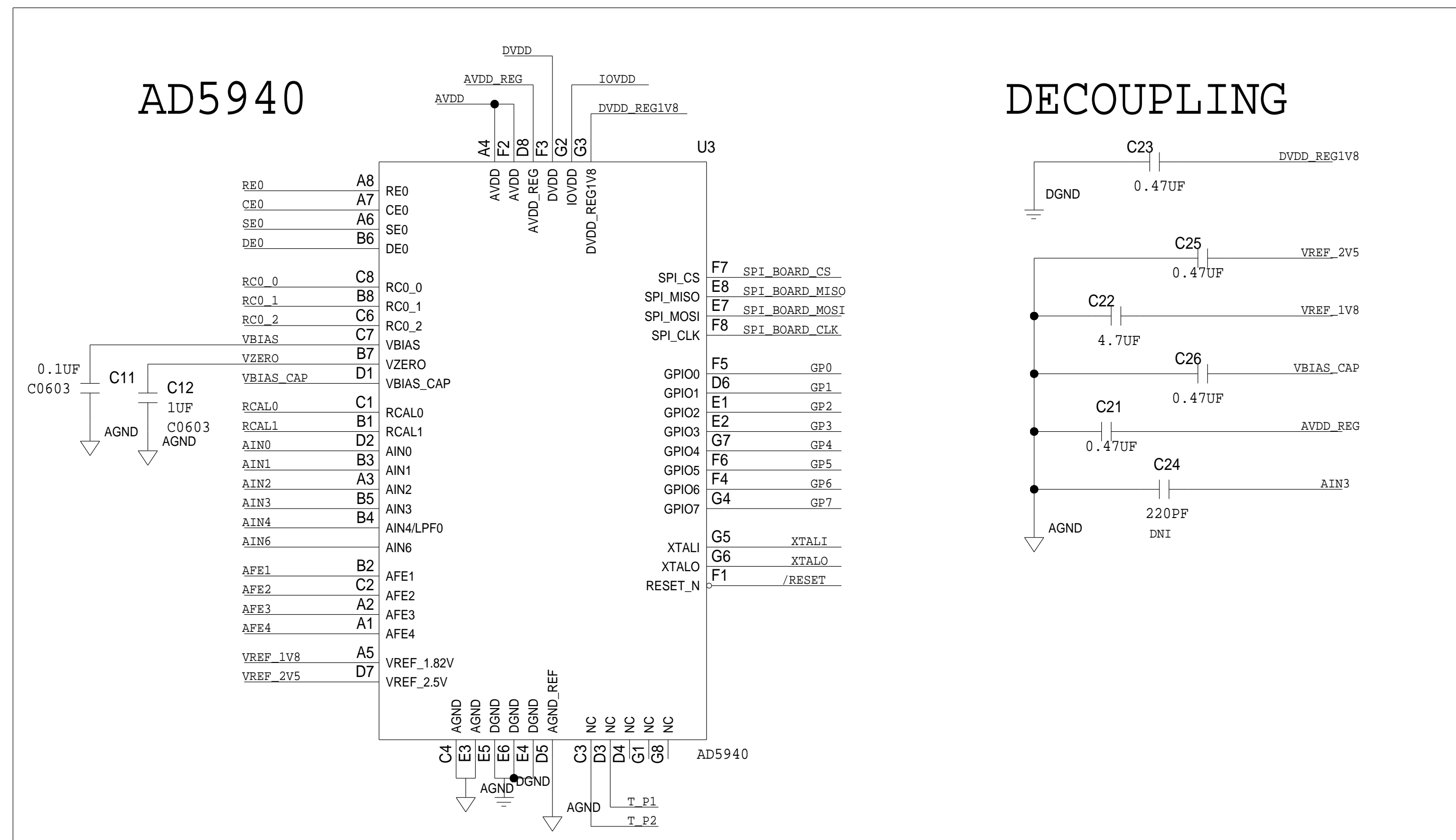
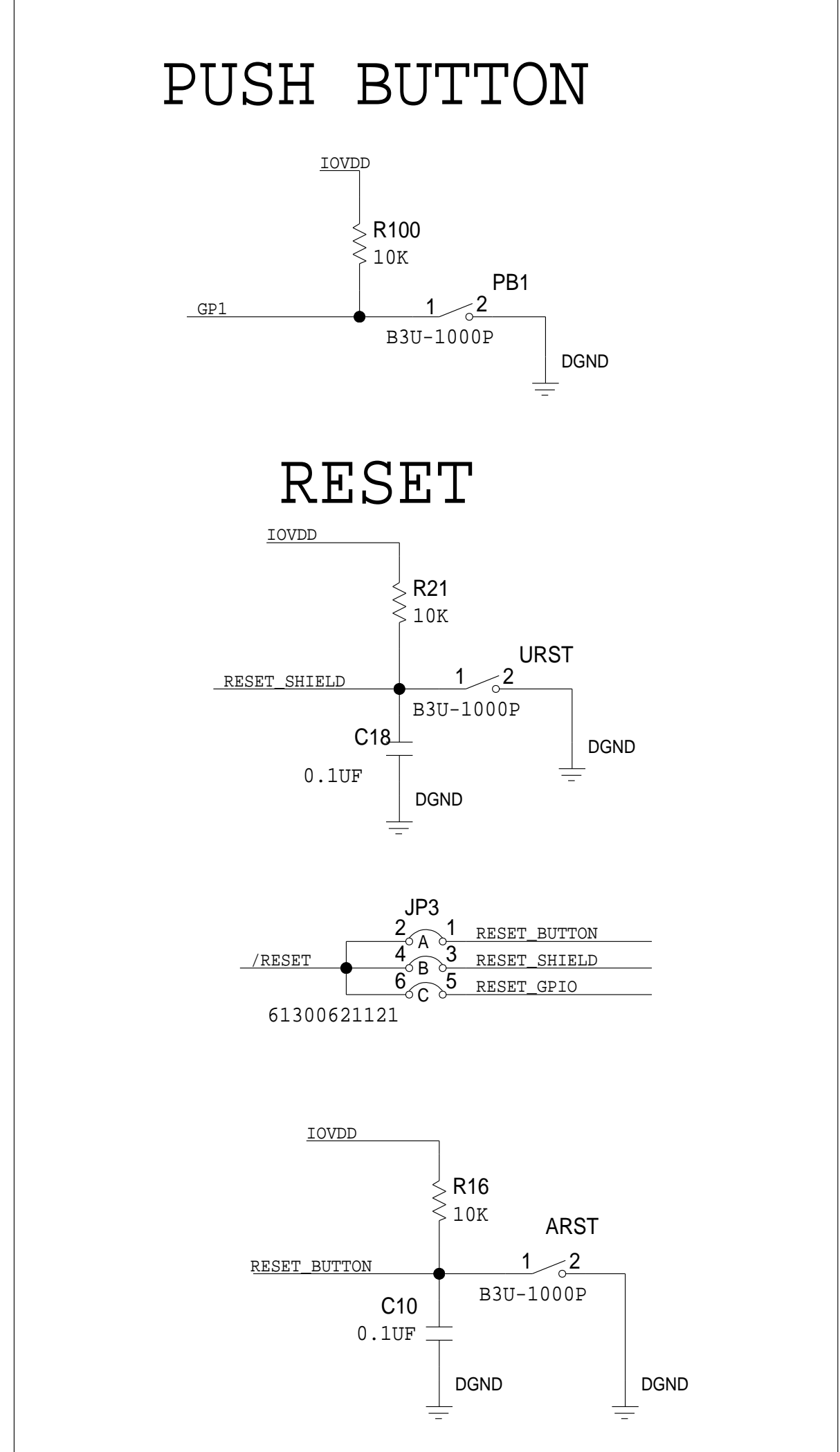
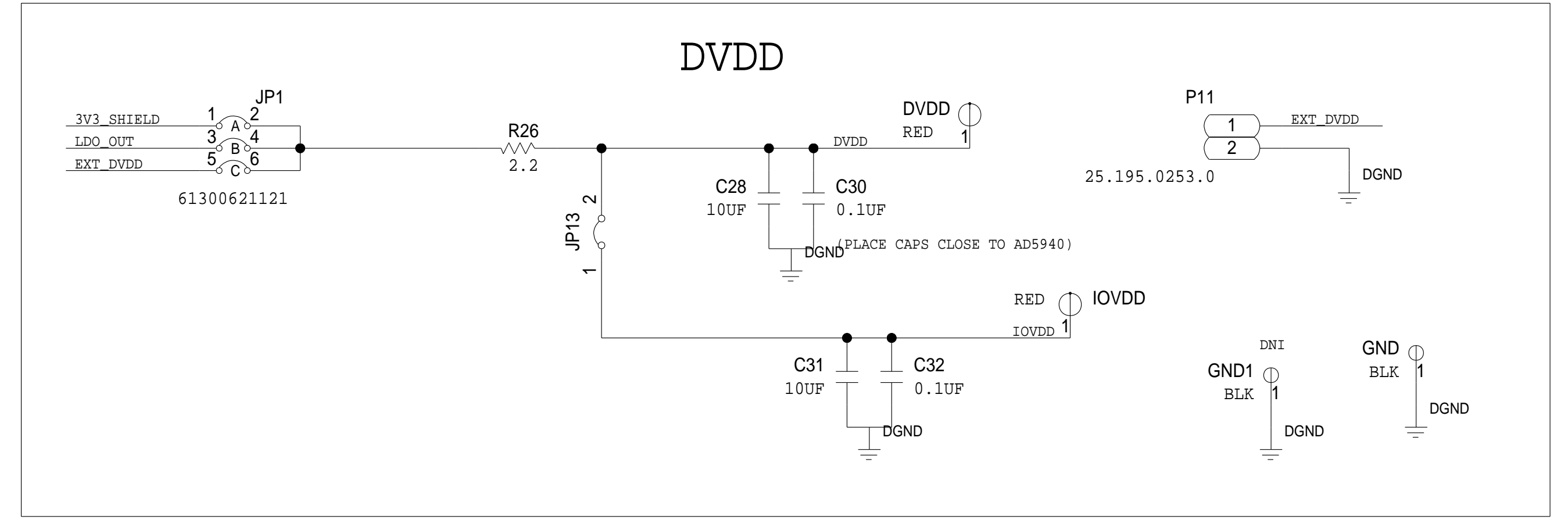
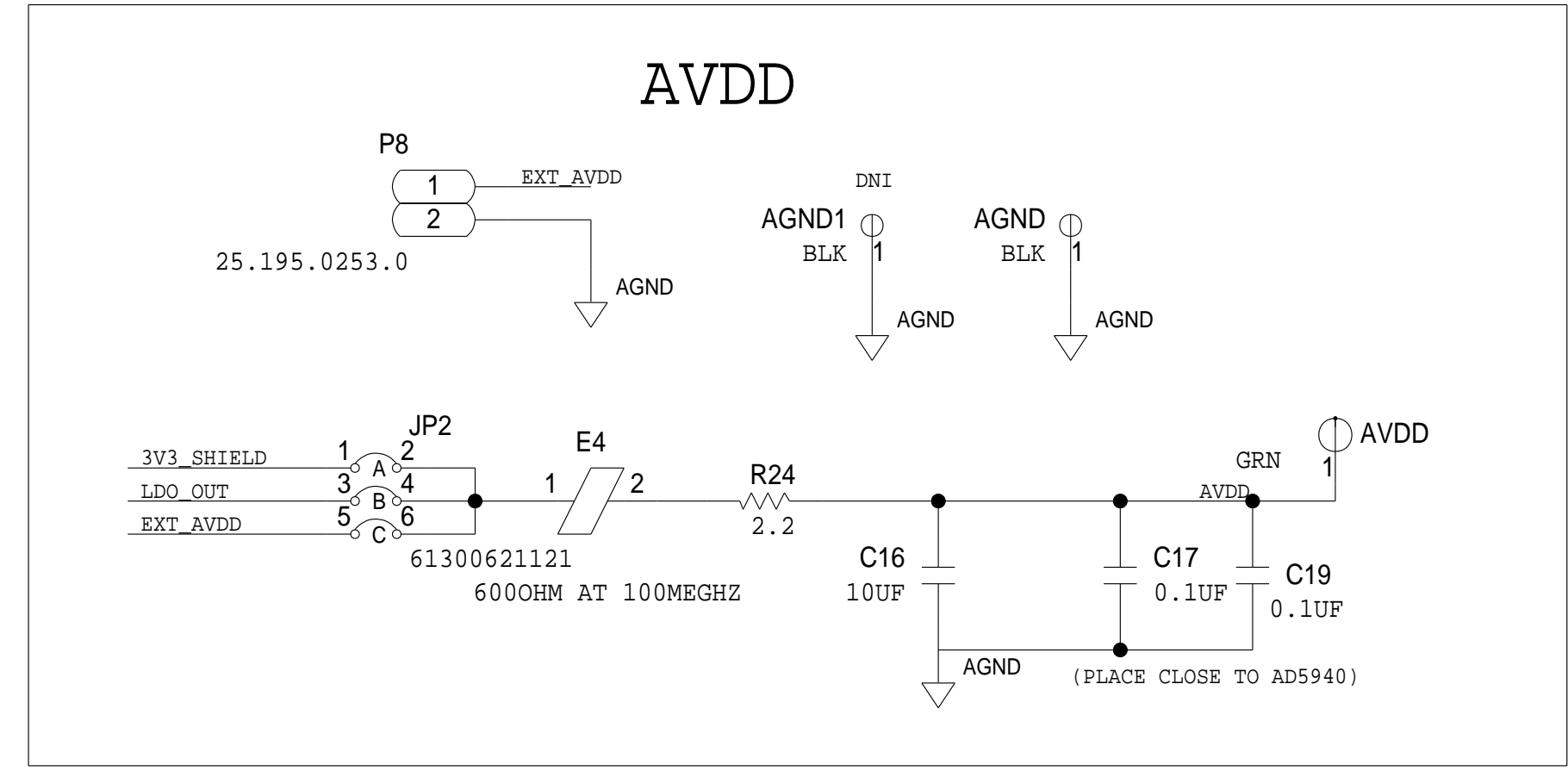
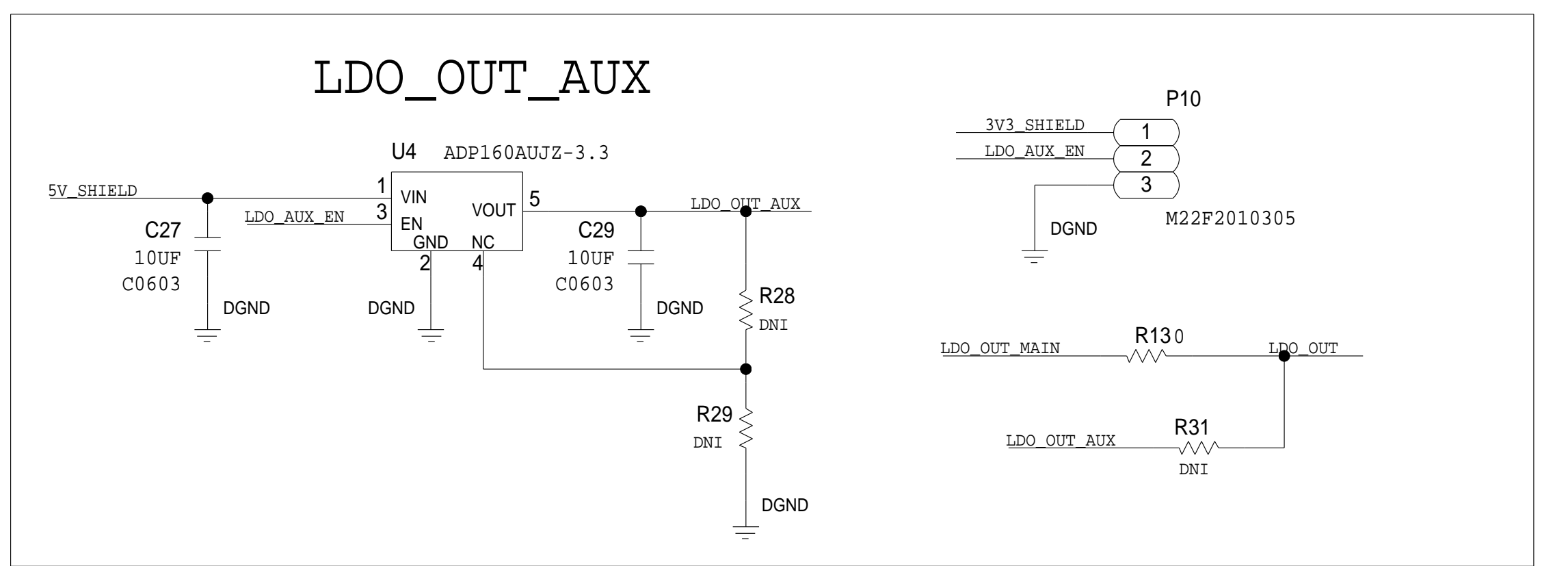
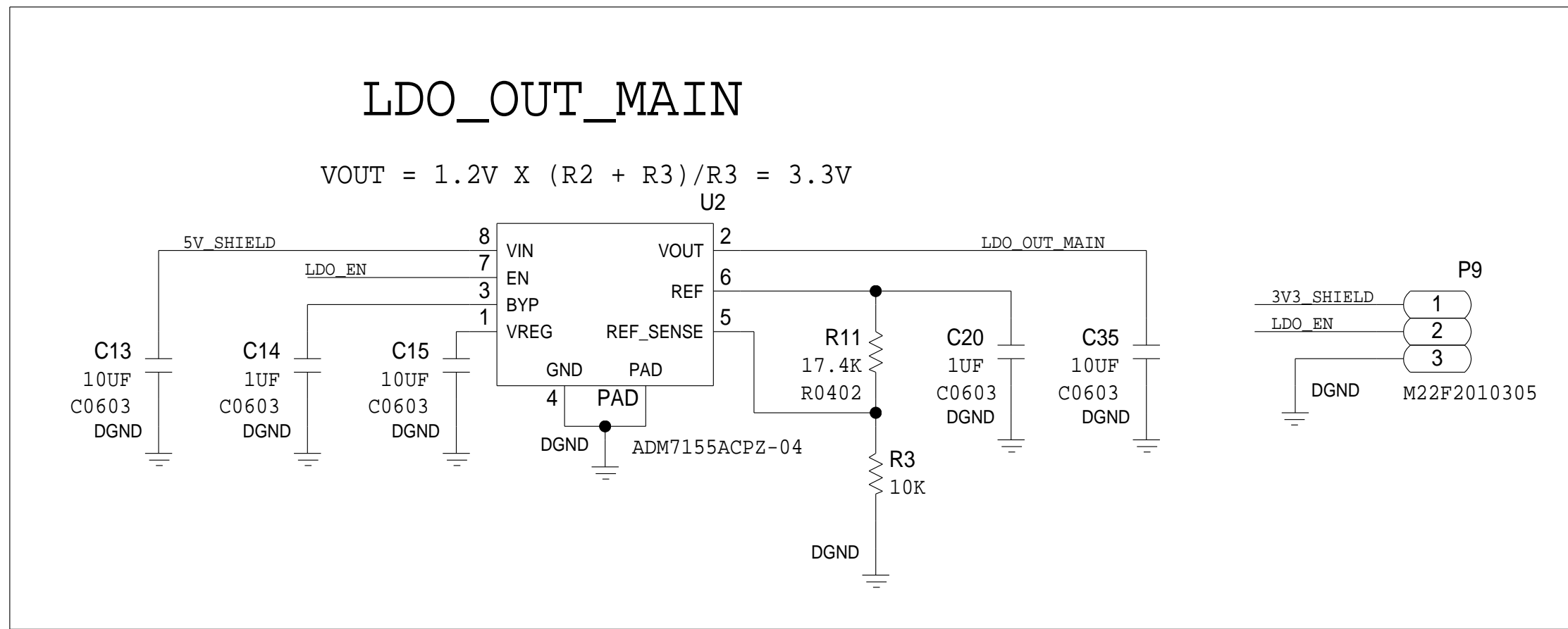
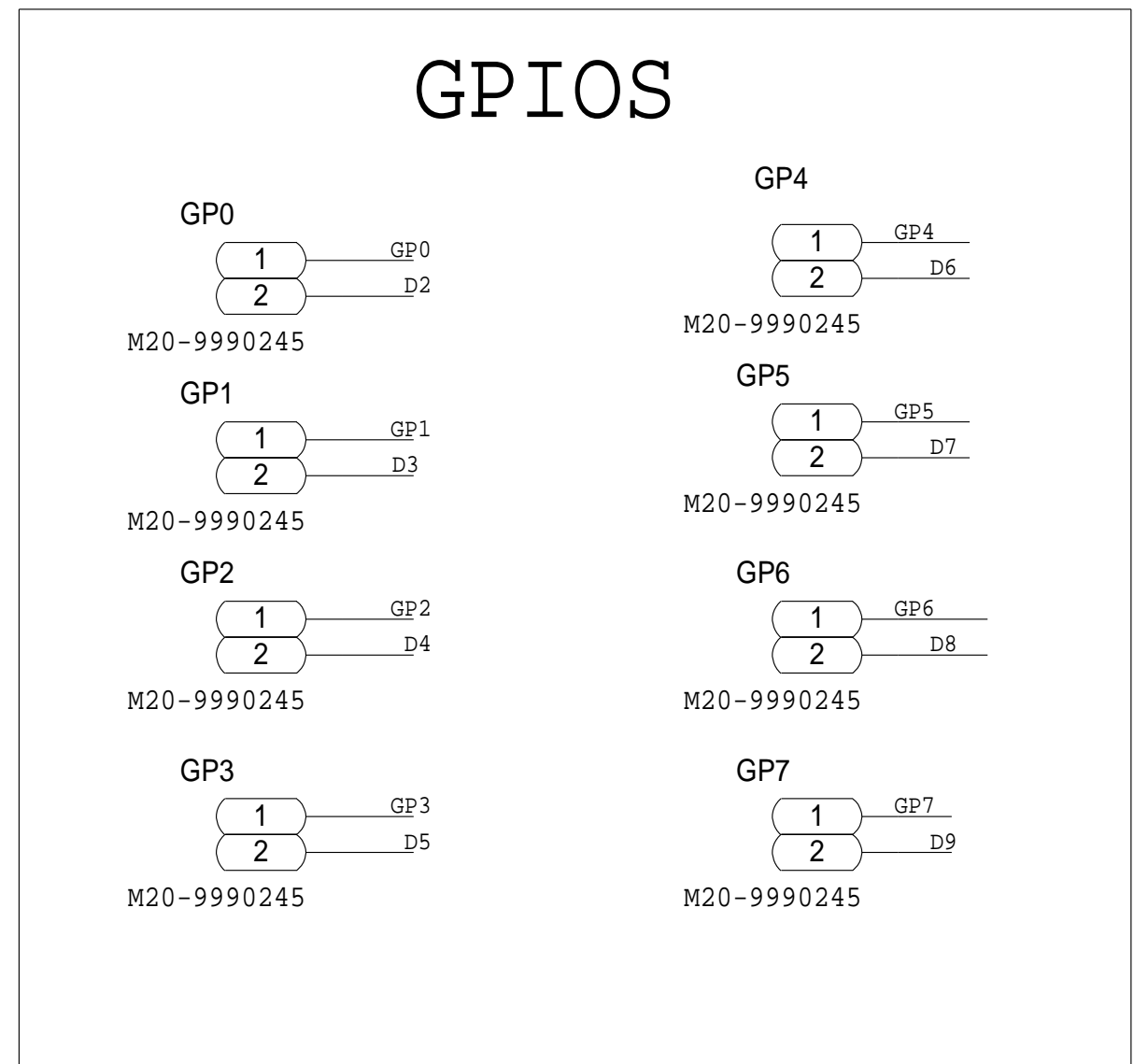


REVISIONS			
REV	DESCRIPTION	DATE	APPROVED

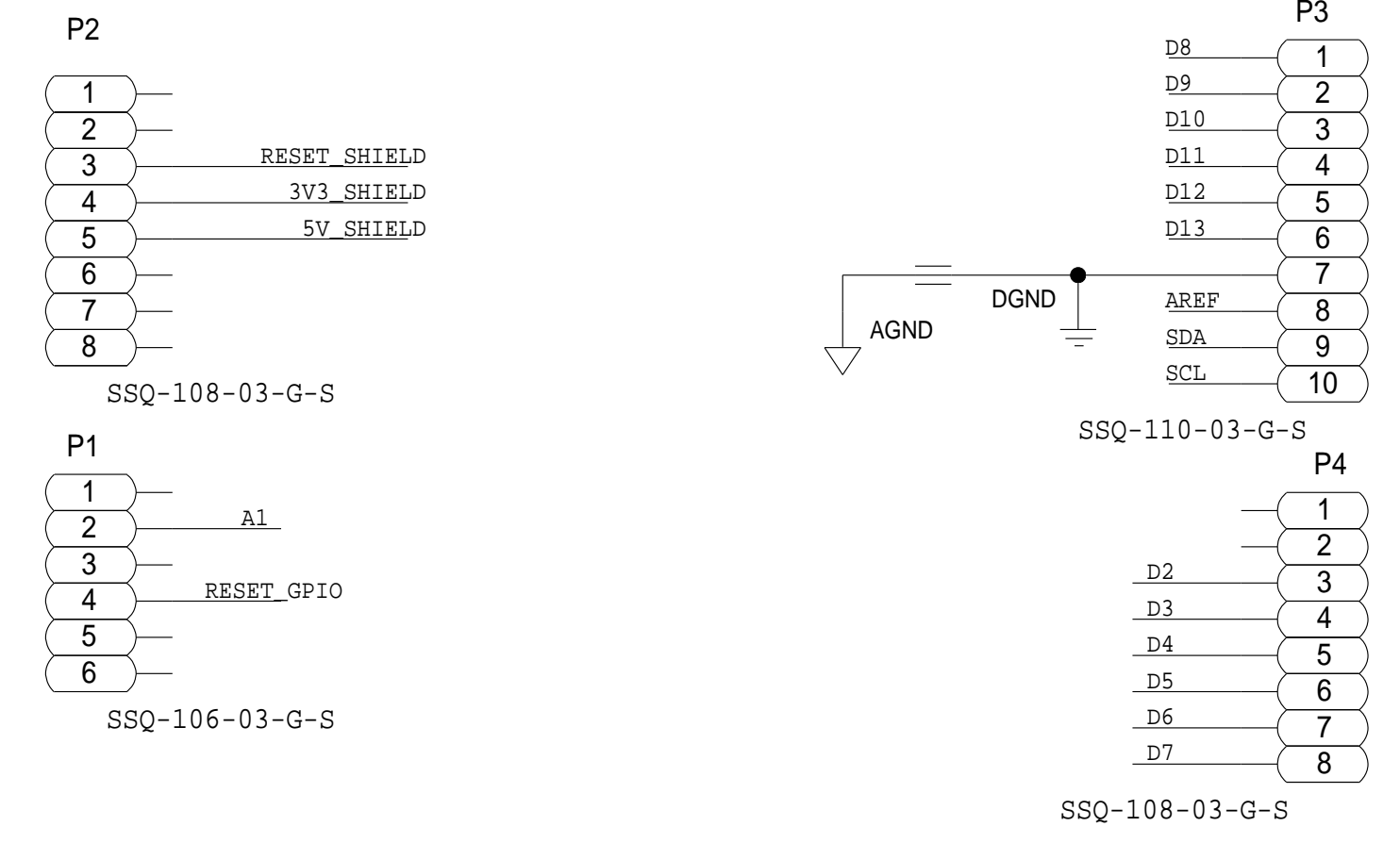


ANALOG DEVICES		SCHEMATIC		
HW TYPE : Customer Evaluation Z Product(s) : AD5940ELCZ : N/A		DESIGN VIEW <DESIGN_VIEW>	DRAWING NO. 02_050193	REV A
PTD ENGINEER M LAMBE		SIZE D	SCALE 1:1	SHEET 2 OF 3

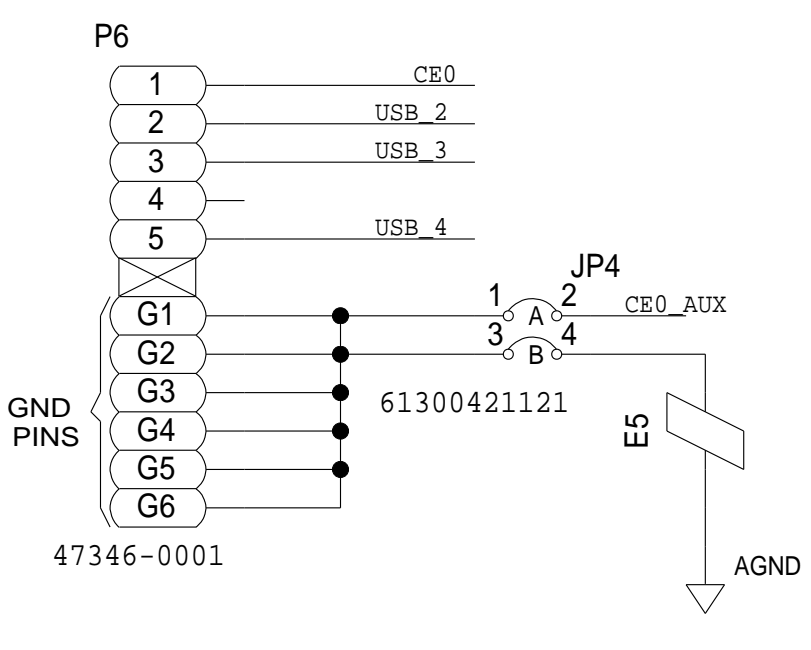
THIS DRAWING IS THE PROPERTY OF ANALOG DEVICES INC. IT IS NOT TO BE REPRODUCED OR COPIED, IN WHOLE OR IN PART, OR USED IN ANY MANNER WITHOUT THE WRITTEN PERMISSION OF ANALOG DEVICES. THE EQUIPMENT SHOWN HEREIN MAY BE PROTECTED BY PATENTS OWNED OR CONTROLLED BY ANALOG DEVICES.

REVISIONS			
REV	DESCRIPTION	DATE	APPROVED

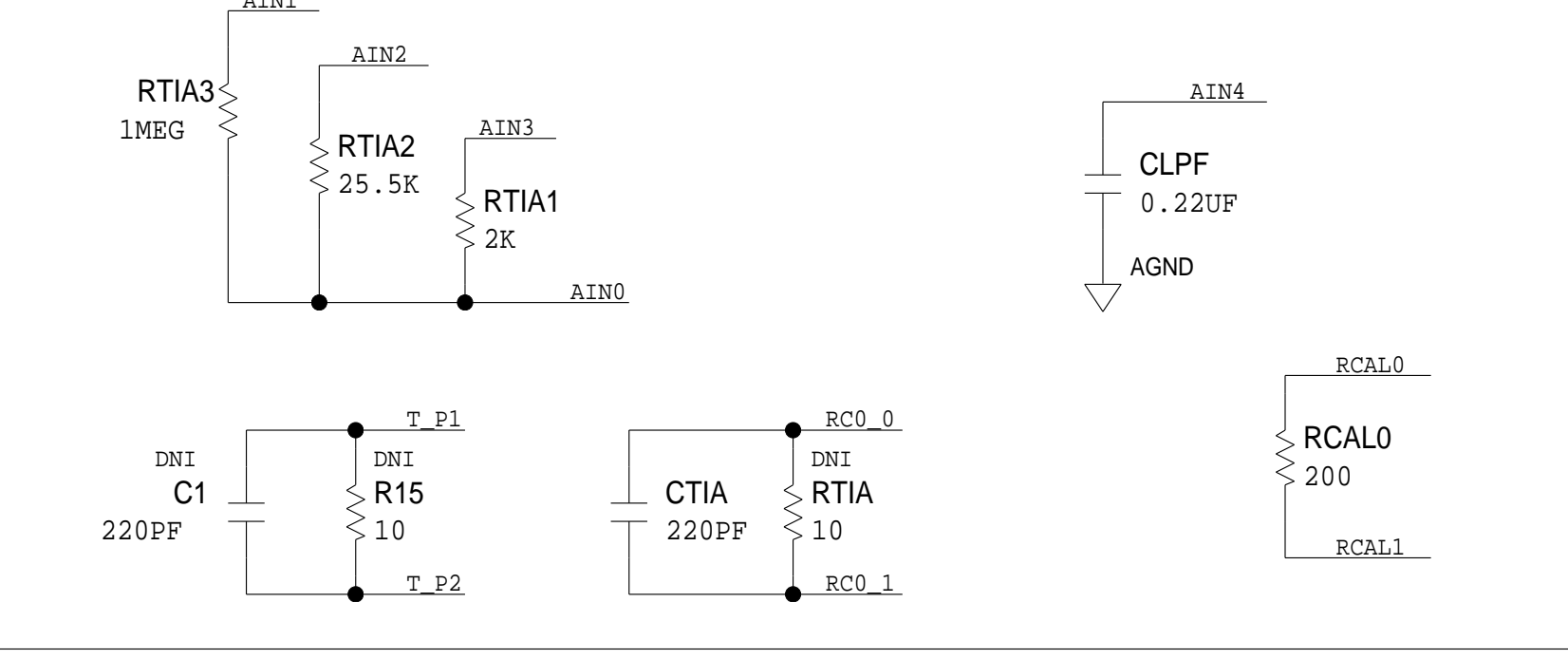
ARDUINO CONNECTION



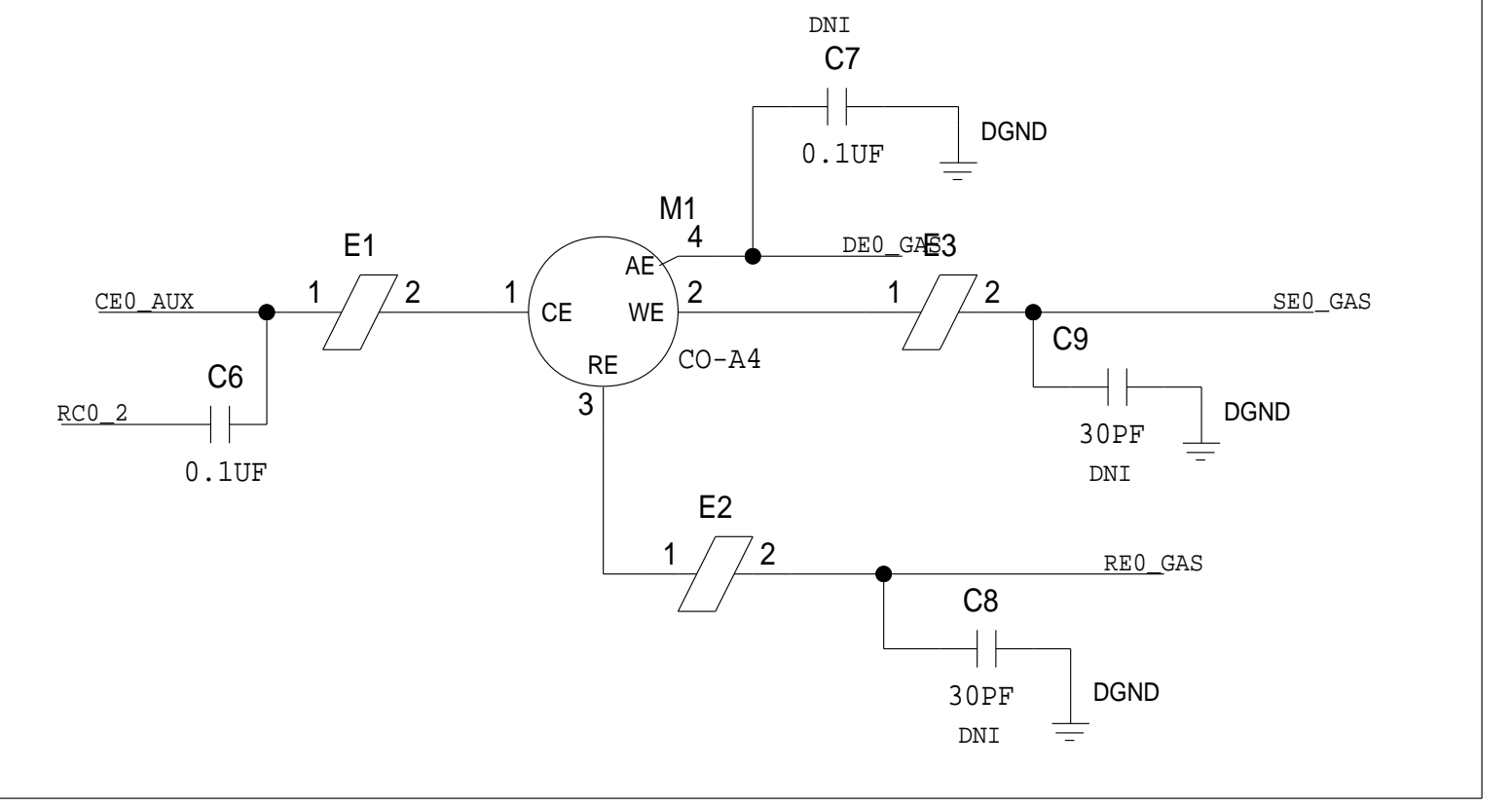
MICRO USB



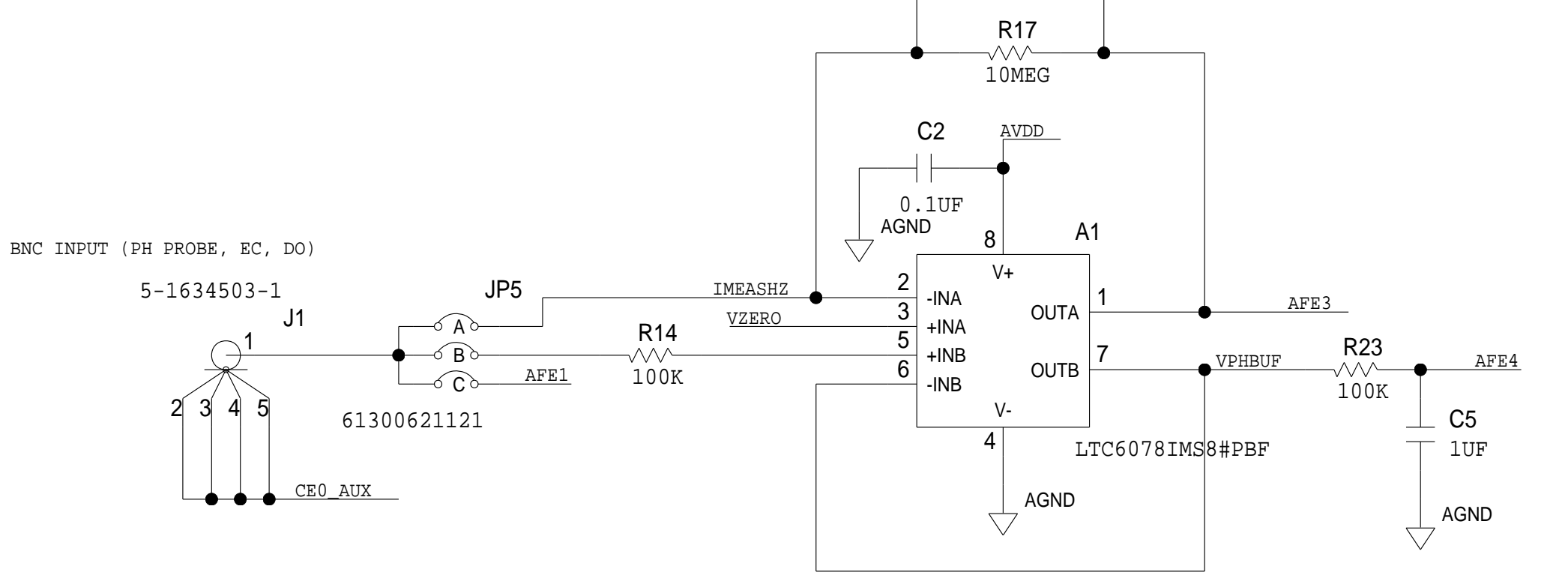
EXT DISCRETES



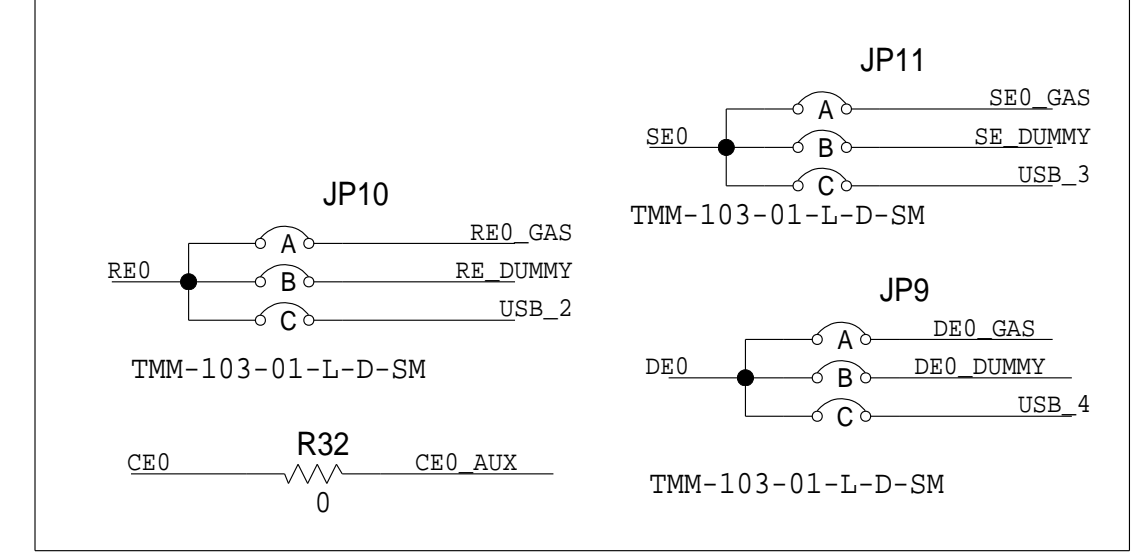
EC SENSOR CHANNEL 0



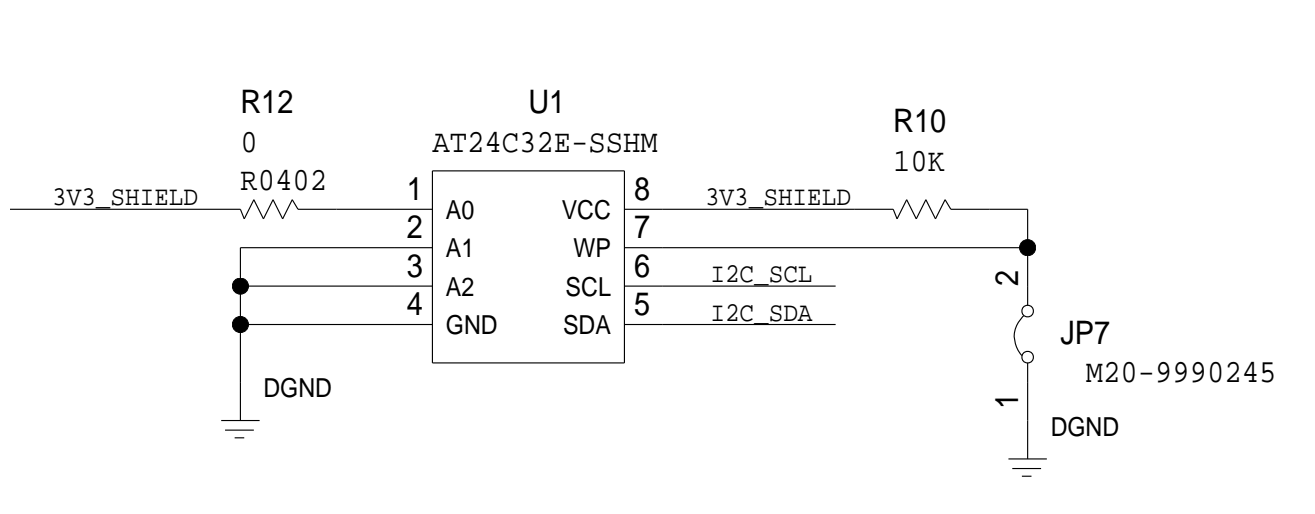
HIGH Z CHANNEL



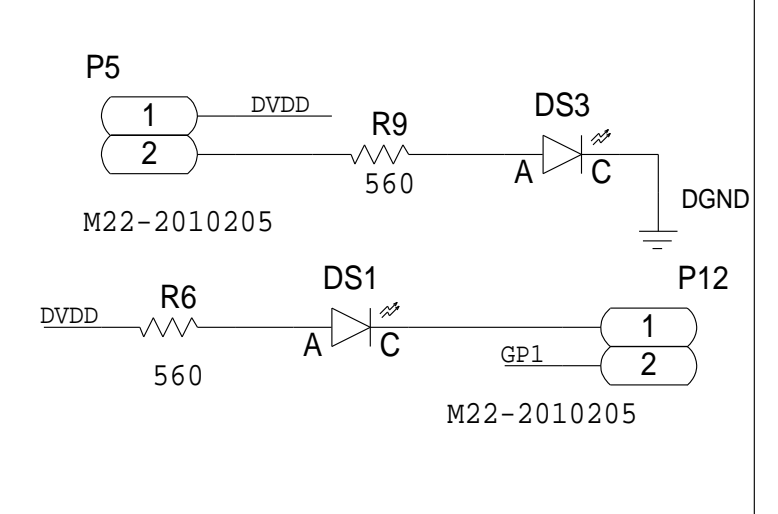
SIGNAL MUX JMPRS



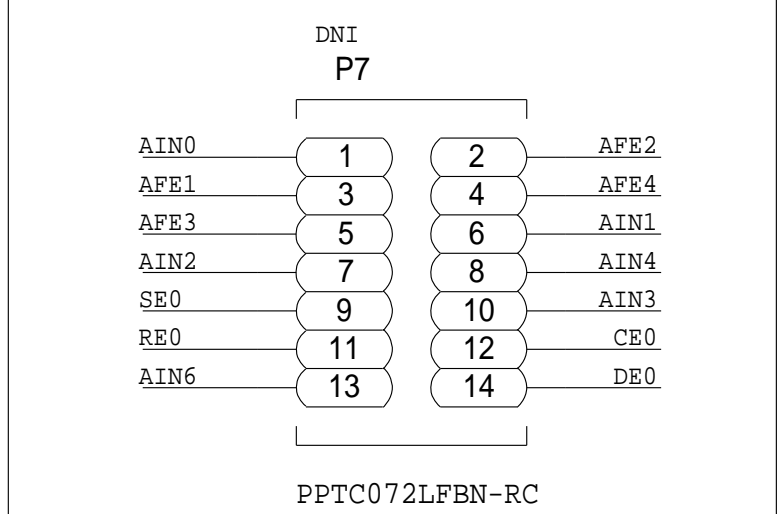
I2C MEMORY



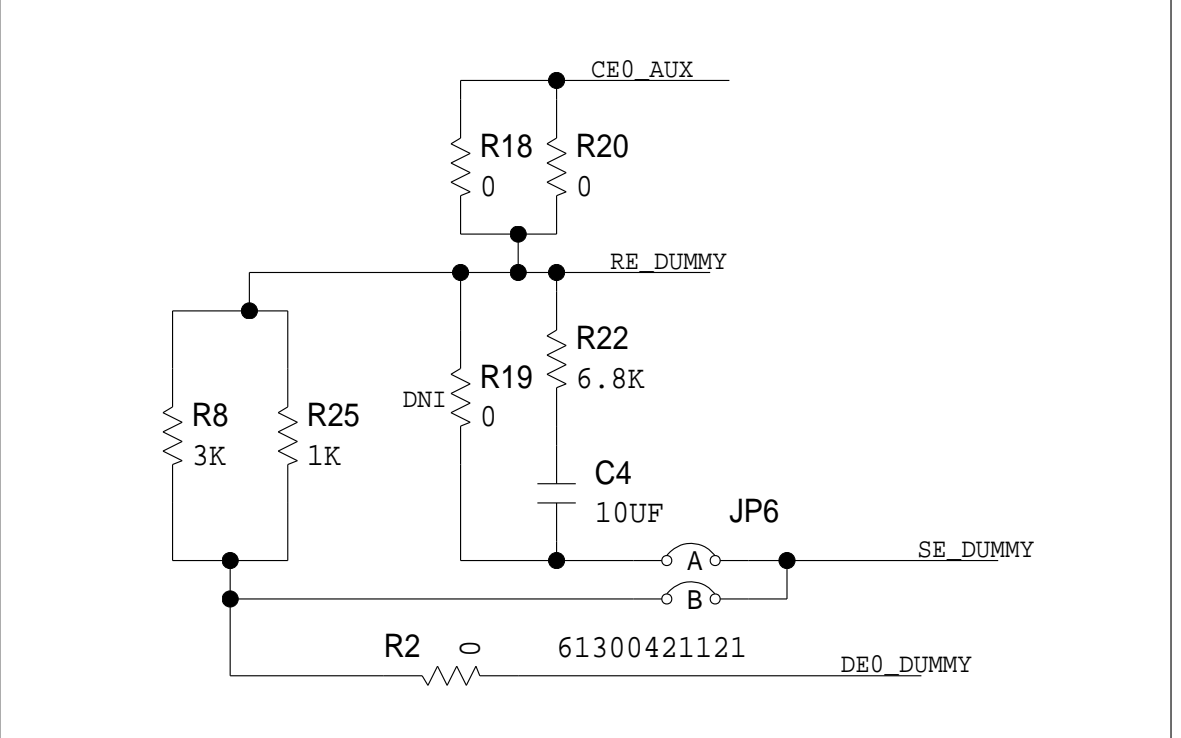
LEDS



ANALOG SIGNALS



DUMMY SENSORS



	SCHEMATIC		
	HW TYPE : Customer Evaluation Z Product(s) : AD5940ELCZ : N/A		
	DESIGN VIEW <DESIGN_VIEW>	DRAWING NO. 02_050193	REV A
	PTD ENGINEER M LAMBE	SIZE D	SCALE 1:1