

THIS DRAWING IS THE PROPERTY OF ANALOG DEVICES INC. IT IS NOT TO BE REPRODUCED OR COPIED, IN WHOLE OR IN PART, OR USED IN FURNISHING INFORMATION TO OTHERS, OR FOR ANY OTHER PURPOSE DETRIMENTAL TO THE INTERESTS OF ANALOG DEVICES. THE EQUIPMENT SHOWN HEREON MAY BE PROTECTED BY PATENTS OWNED OR CONTROLLED BY ANALOG DEVICES.

RELAY CONTROL CHART

CONTROL	CODE	DEVICE	FUNCTION	CONNECTOR

JUMPER TABLE

JP#	ON	OFF
1		
2		
3		
4		
5		

* SEE ASSEMBLY INSTRUCTIONS

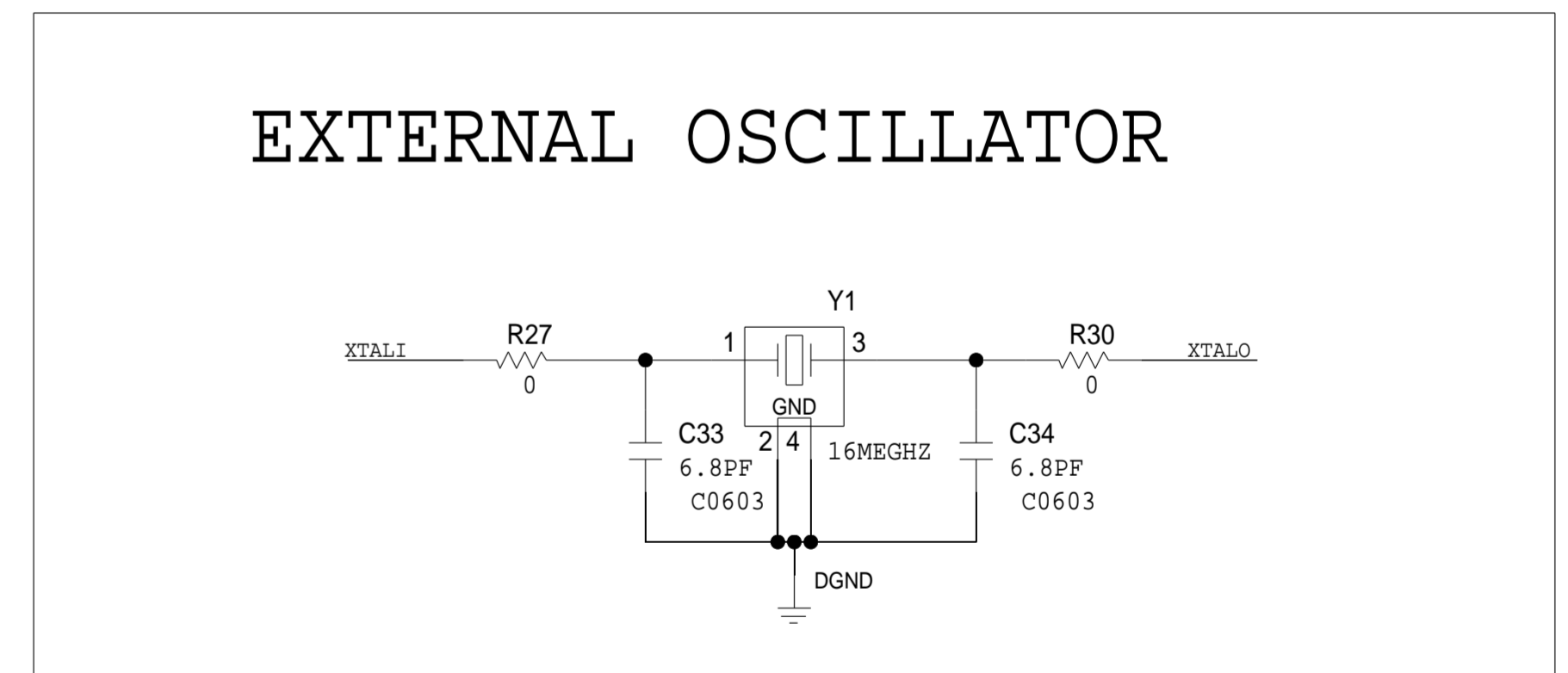
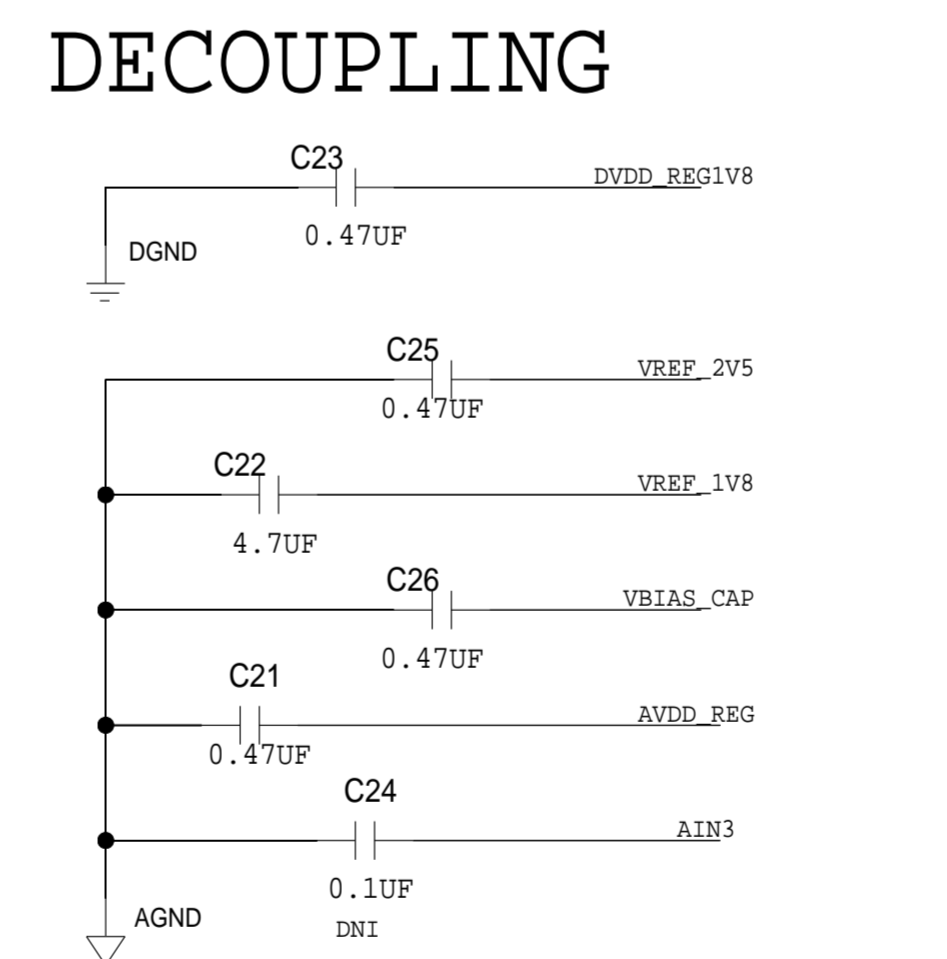
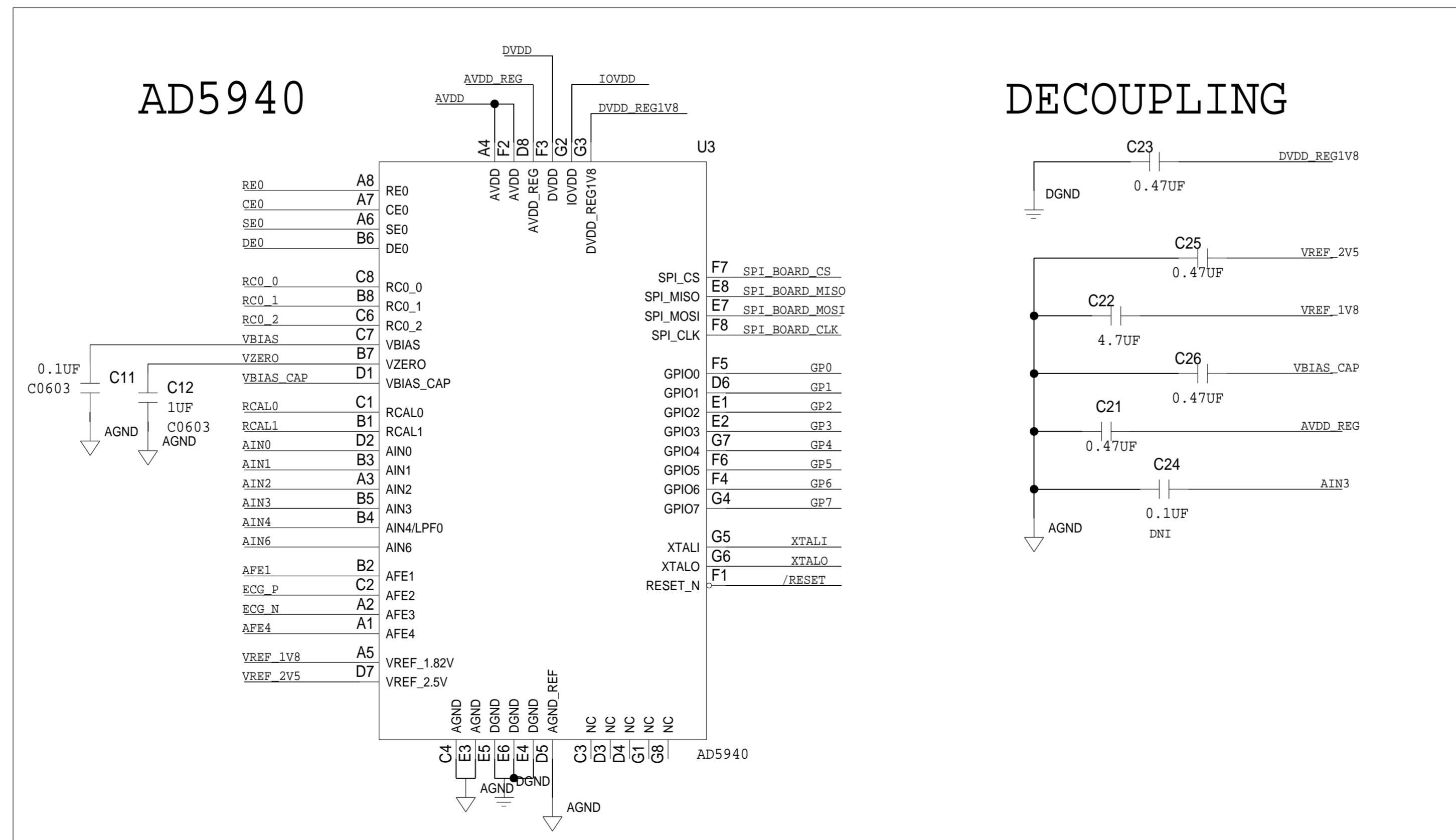
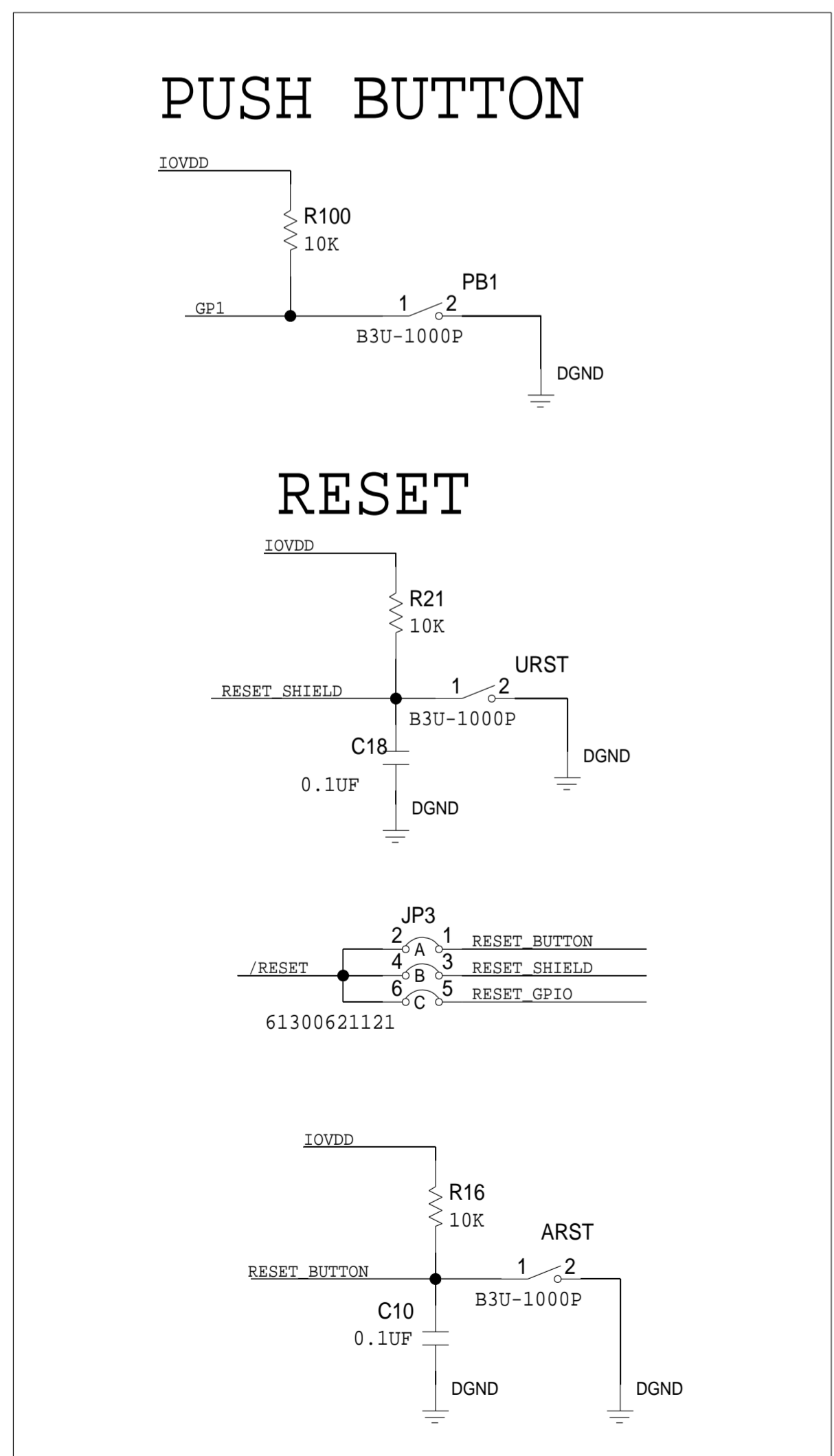
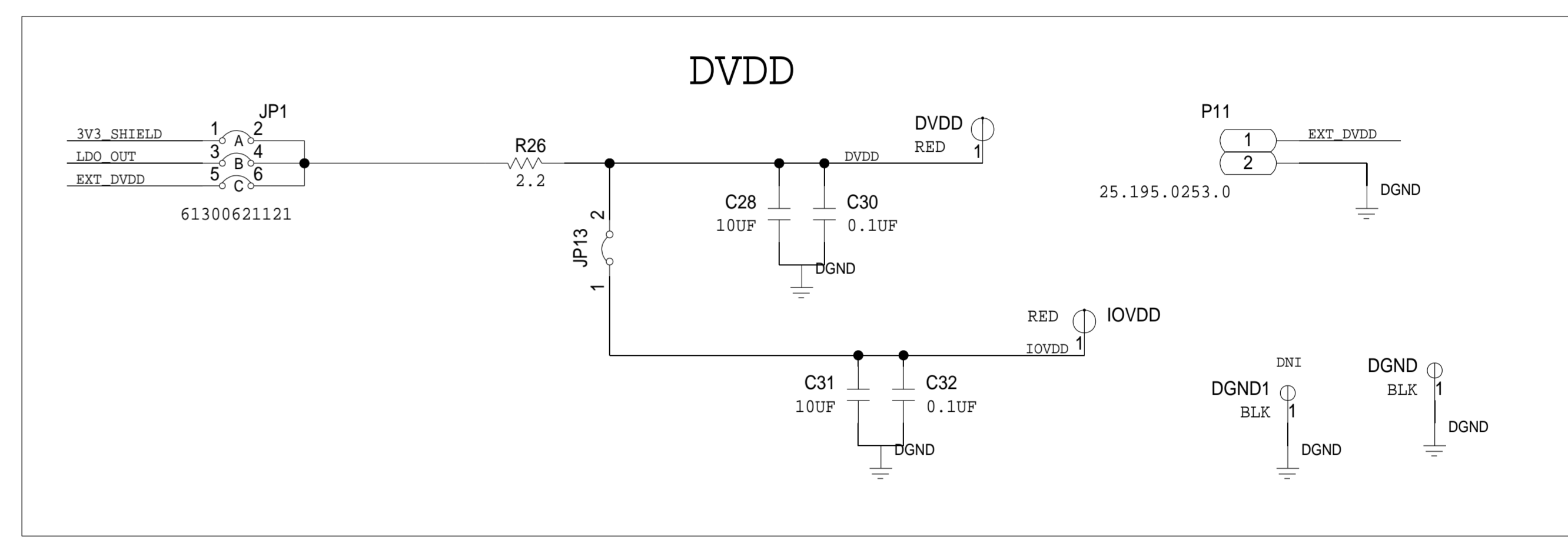
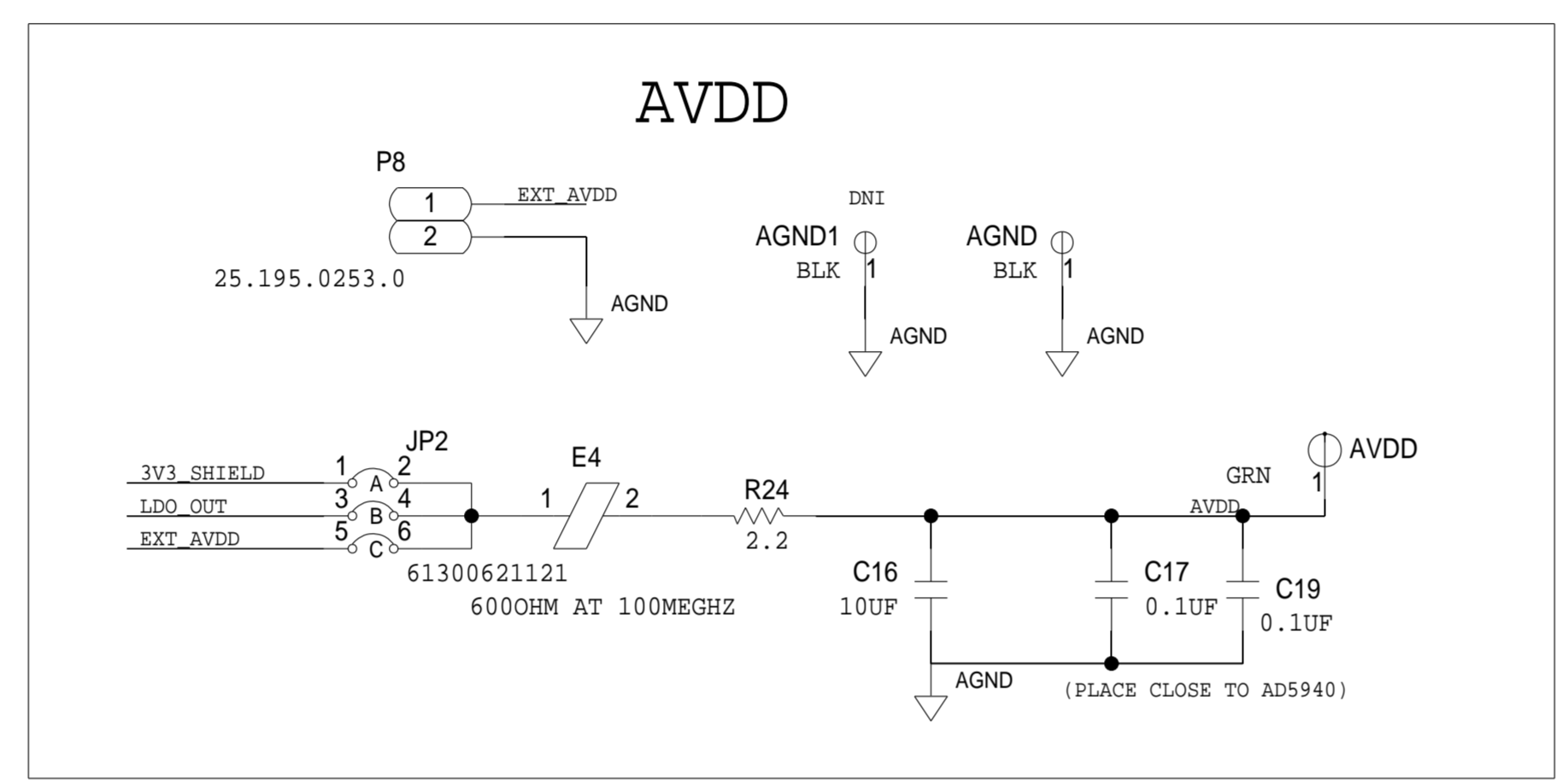
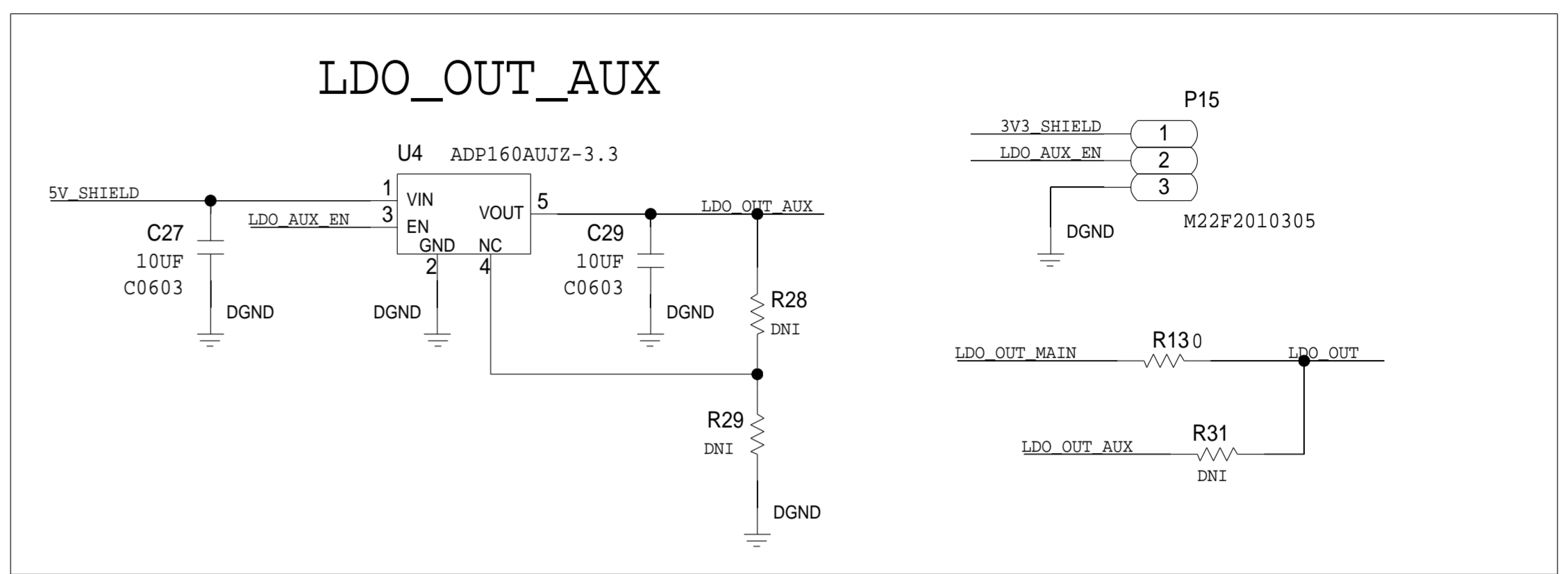
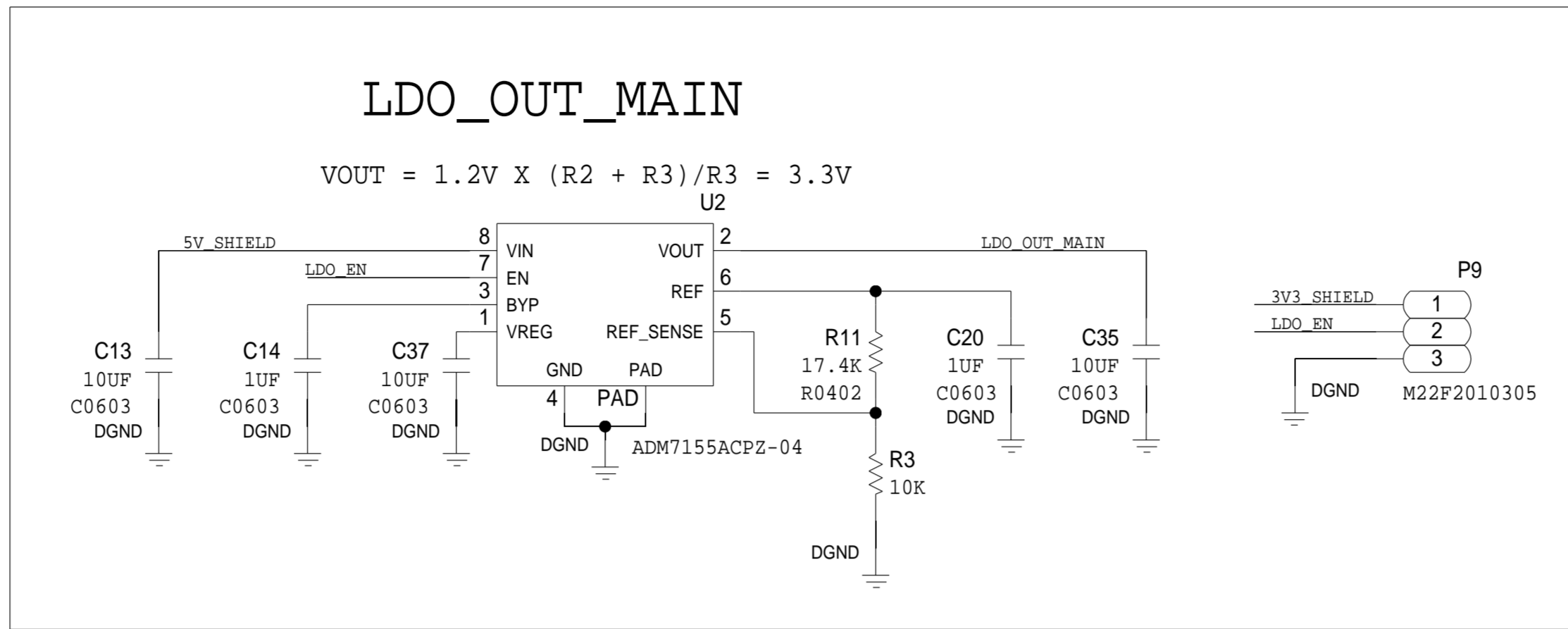
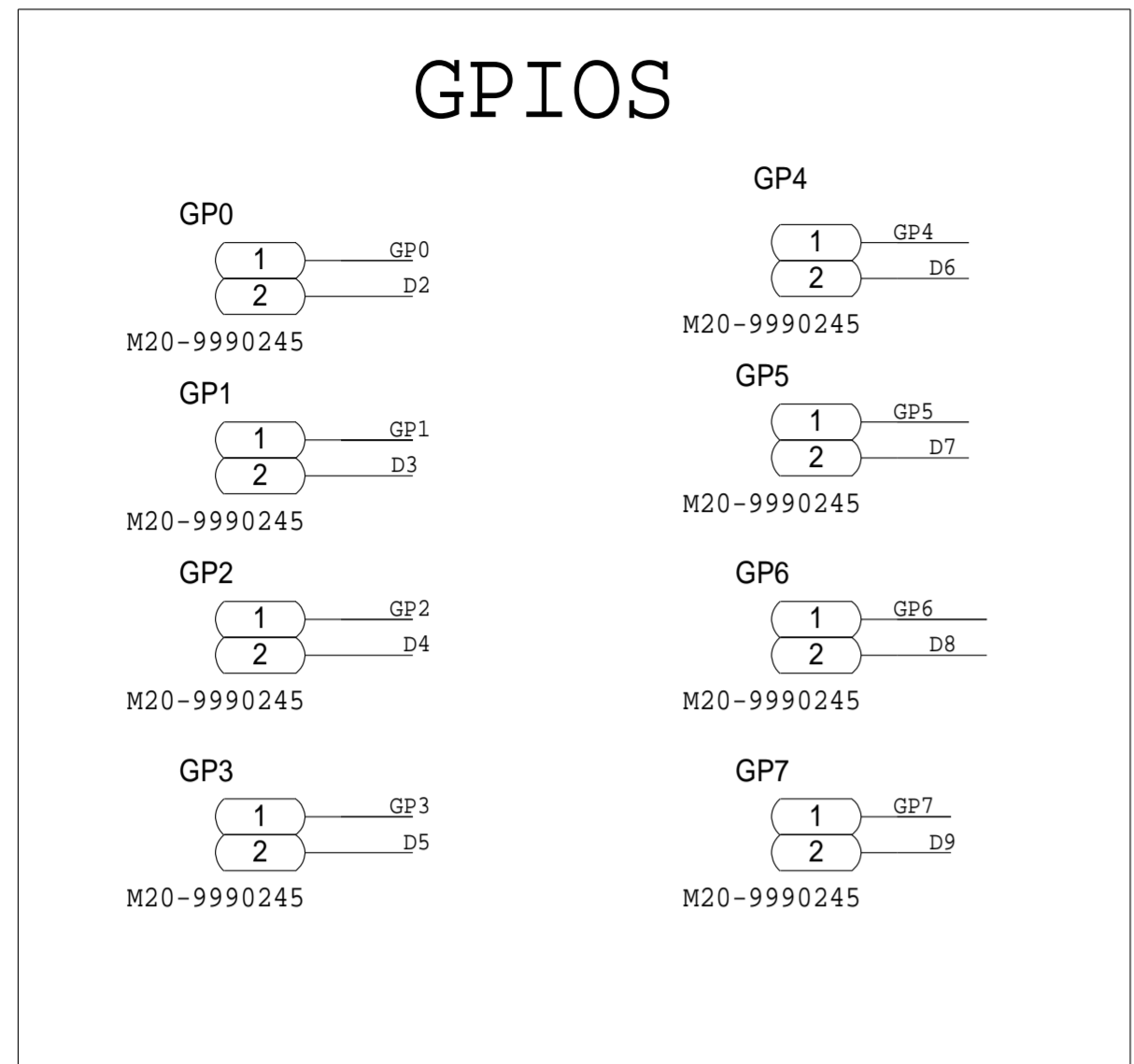
REVISIONS

REV	DESCRIPTION	DATE	APPROVED
A	INITIAL RELEASE	05OCT18	MLAMBE

TEMPLATE ENGINEER M BATALLA	DATE 05OCT18	<h2>SCHEMATIC</h2>						
HARDWARE SERVICES M JOSE	05OCT18							
HARDWARE SYSTEMS -		HW TYPE : Customer Evaluation Z						
TEST ENGINEER -		Product(s): AD5940 AD8233						
COMPONENT ENGINEER A AGENA	05OCT18	PACKAGE : N/A-lead N/A N/A-family Pitch-pitch StyleVendor Style						
TEST PROCESS -		<User Define>						
HARDWARE RELEASE K JABATAN	05OCT18	<User Define>						
DESIGNER M VALE	05OCT18	MASTER PROJECT TEMPLATE TBD	TESTER TEMPLATE no_template	DRAWING NO. 02_049988	REV. A			
PTD ENGINEER M LAMBE	05OCT18	UNLESS OTHERWISE SPECIFIED DIMENSIONS ARE IN INCHES TOLERANCES			SIZE D	SCALE 1:1	CODE ID NO. CodeID	SHEET 1 OF 3
CHECKER -		DECIMALS X.XX +0.010 X.XXX +0.005	FRACTIONS +1/32	ANGLES +2				

P.O SPEC.	BK/BD SPEC.	SOCKET OEM	OEM PART#	HANDLER

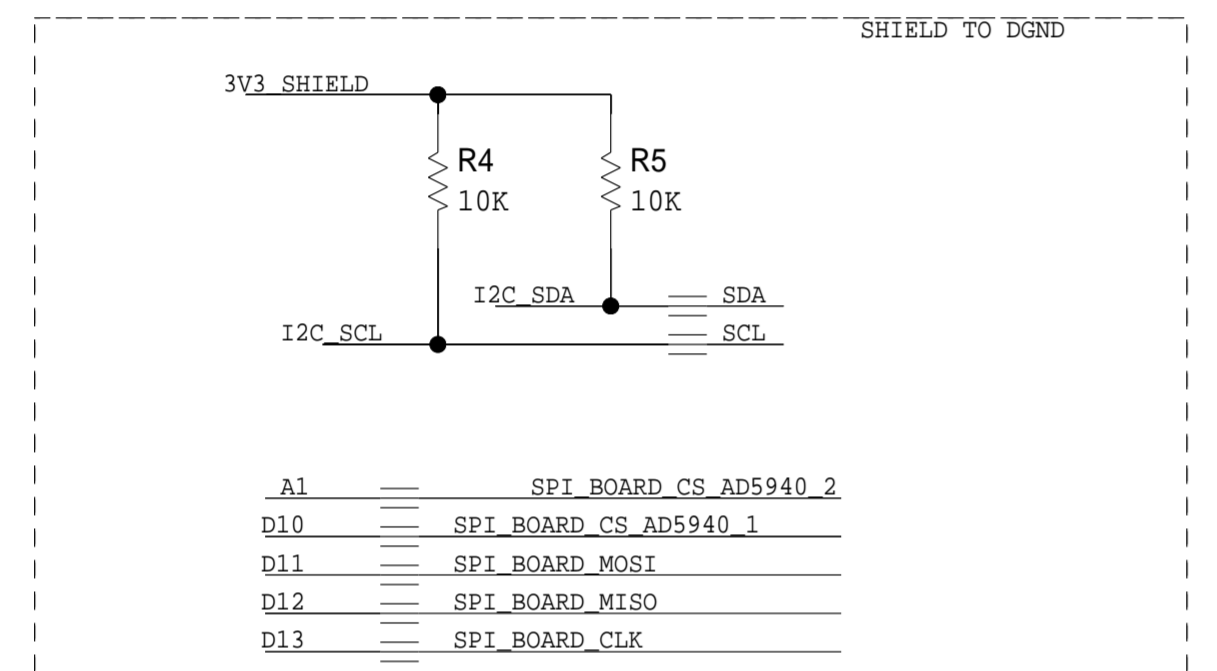
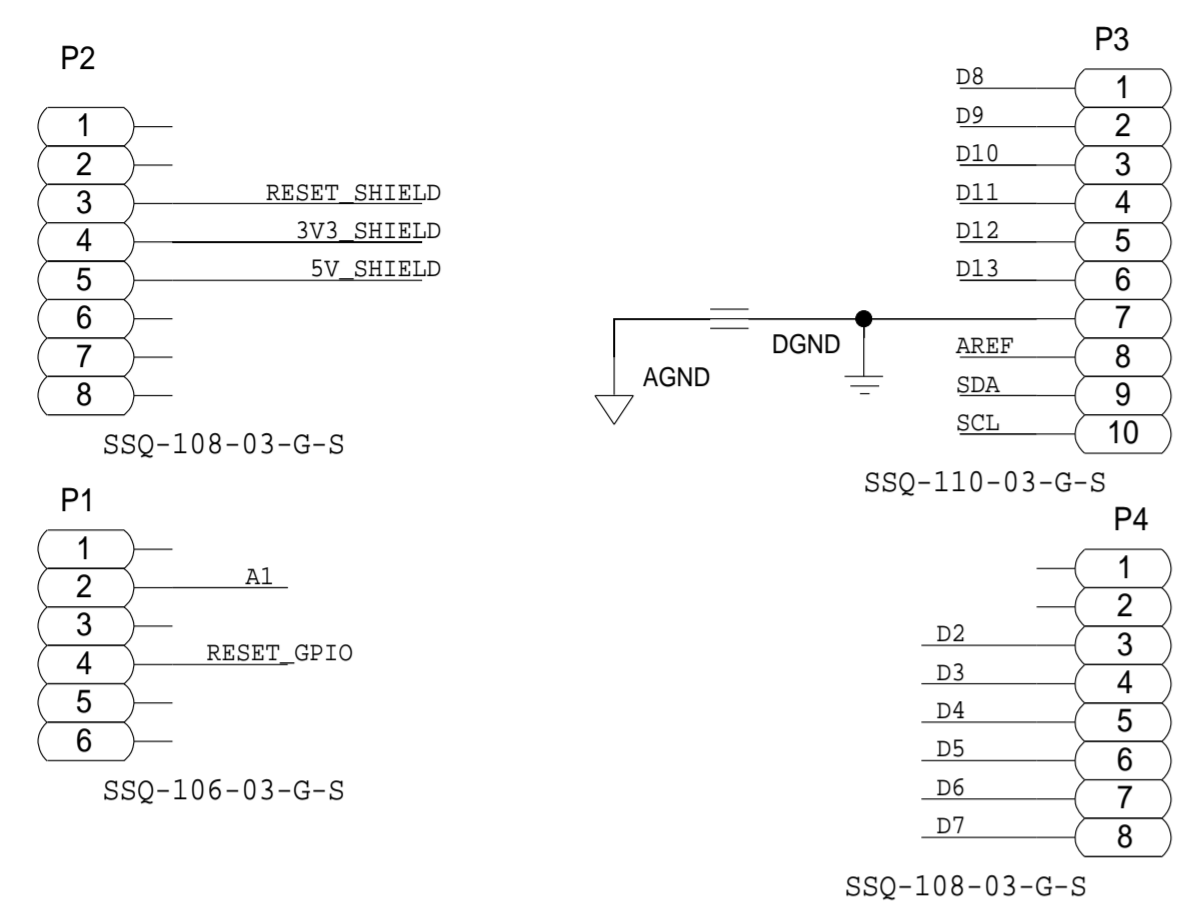
REVISIONS			
REV	DESCRIPTION	DATE	APPROVED



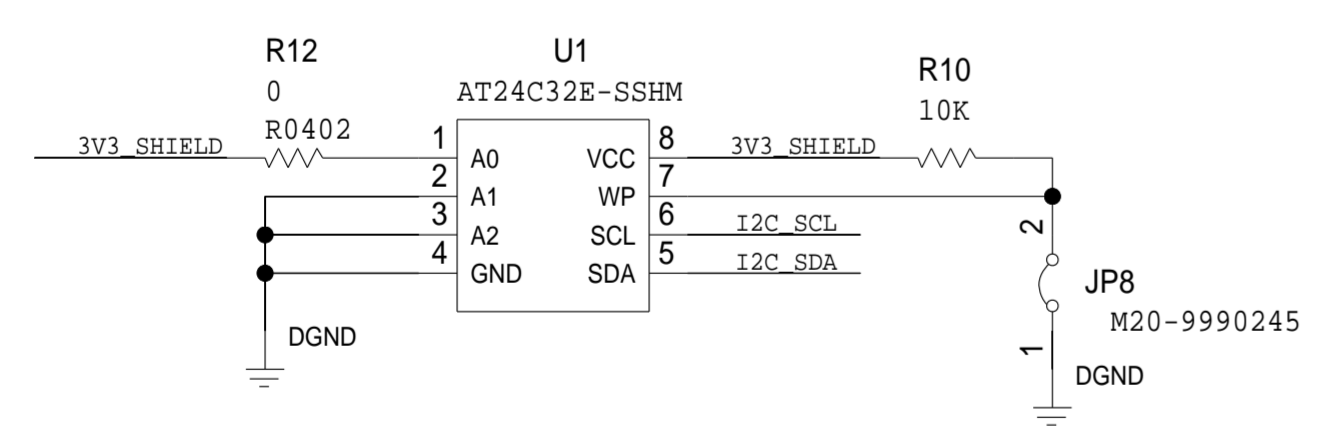
SCHEMATIC			
		HW TYPE : Customer Evaluation Z Product(s) : AD5940 : AD8233	
DESIGN VIEW <DESIGN_VIEW>	DRAWING NO. 02_049988	REV A	
PTD ENGINEER M LAMBE	SIZE D	SCALE 1:1	SHEET 2 OF 3

REVISIONS			
REV	DESCRIPTION	DATE	APPROVED

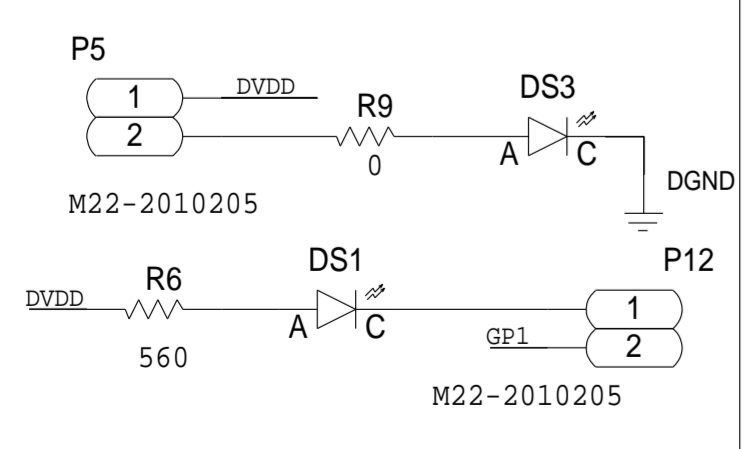
ARDUINO CONNECTION



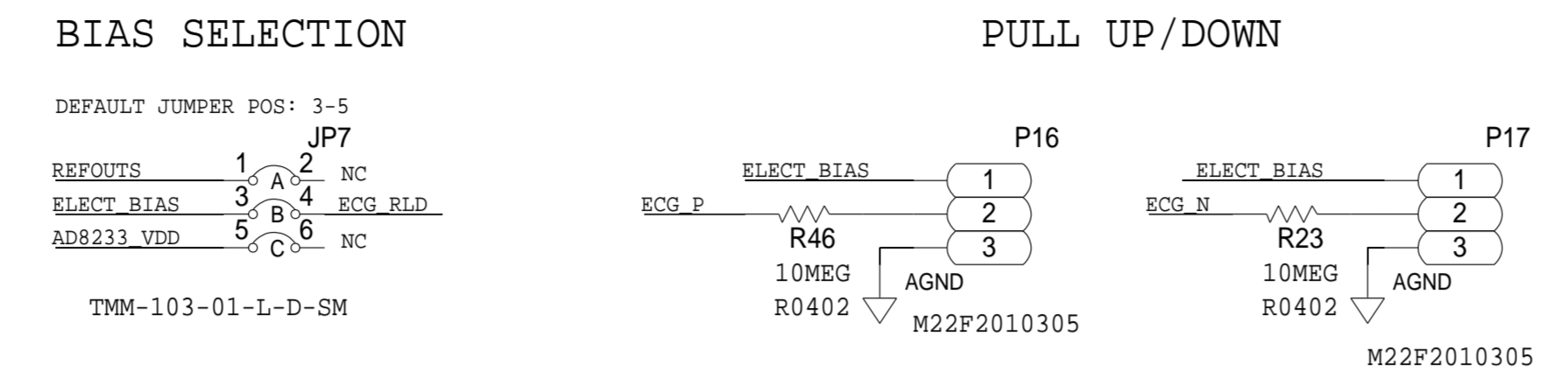
I2C MEMORY



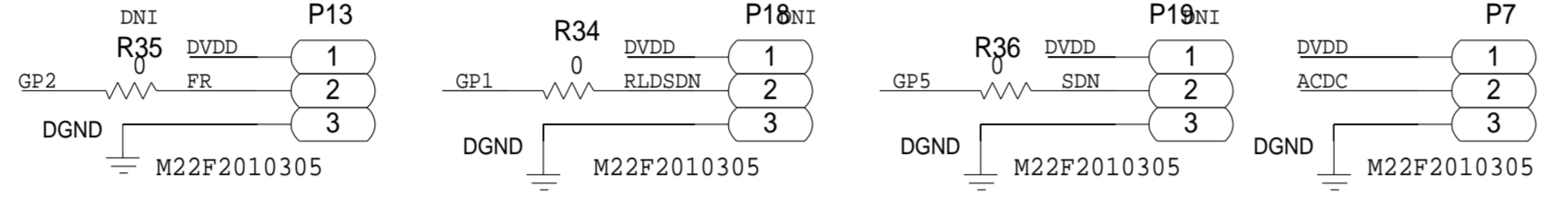
LEDS



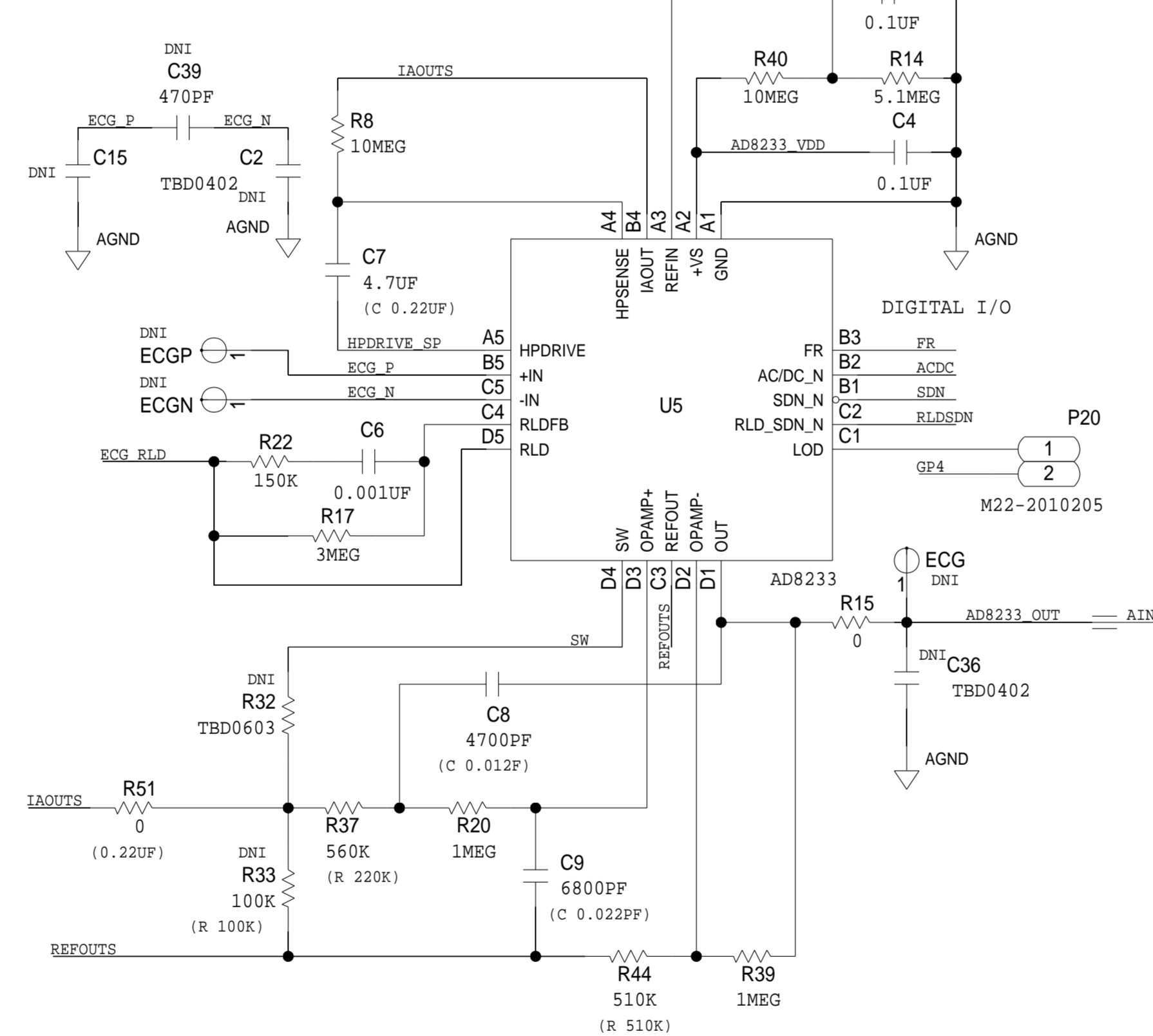
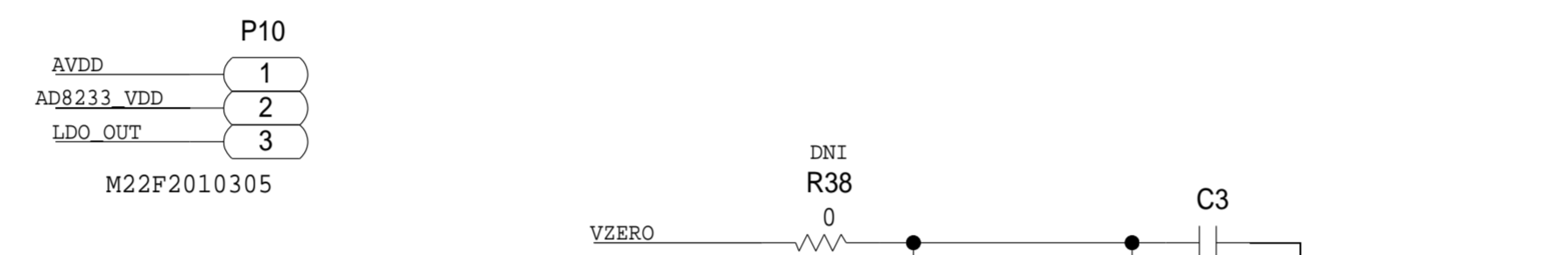
AD8233



AD8233 GPIOs

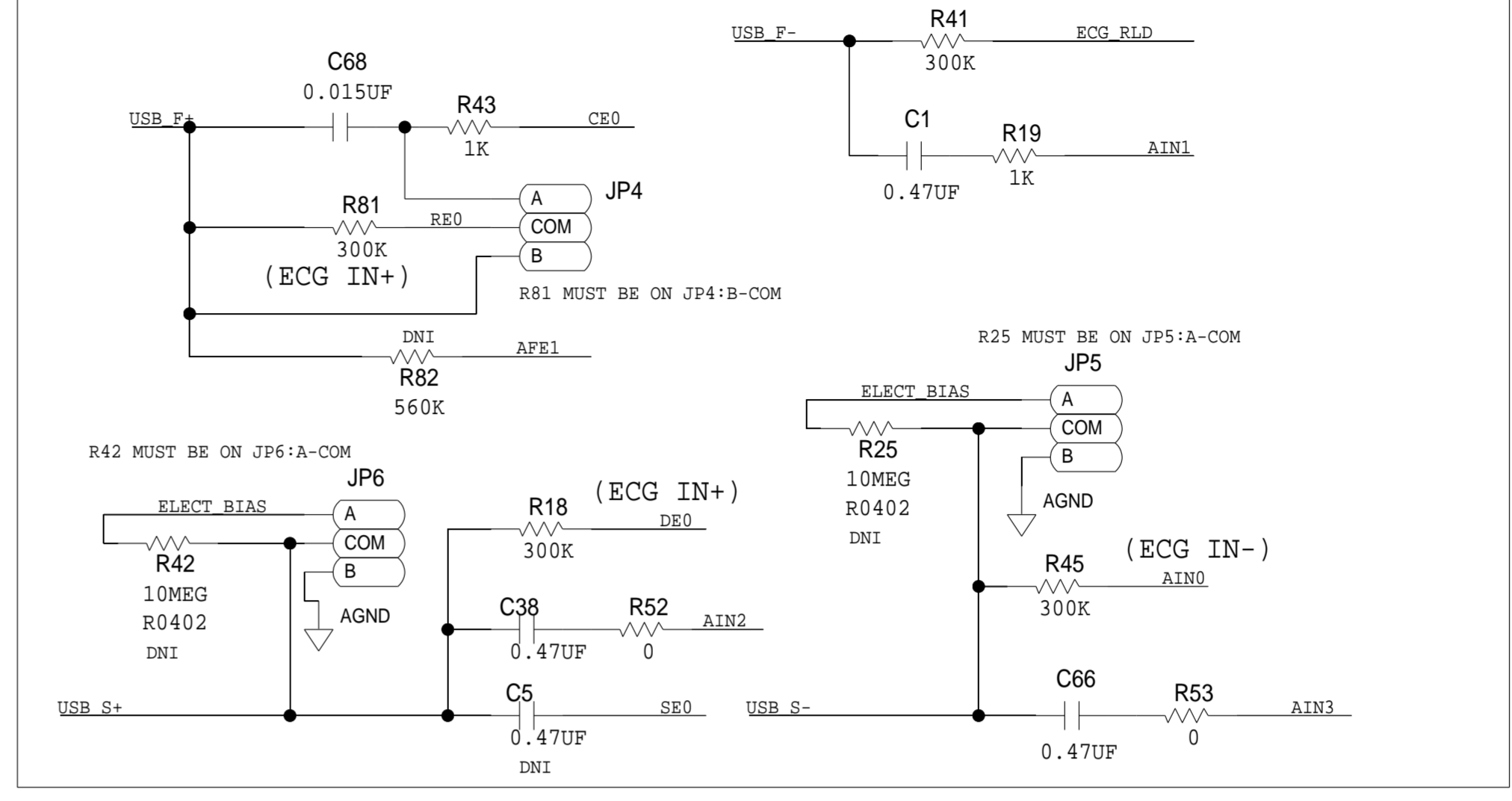


POWER

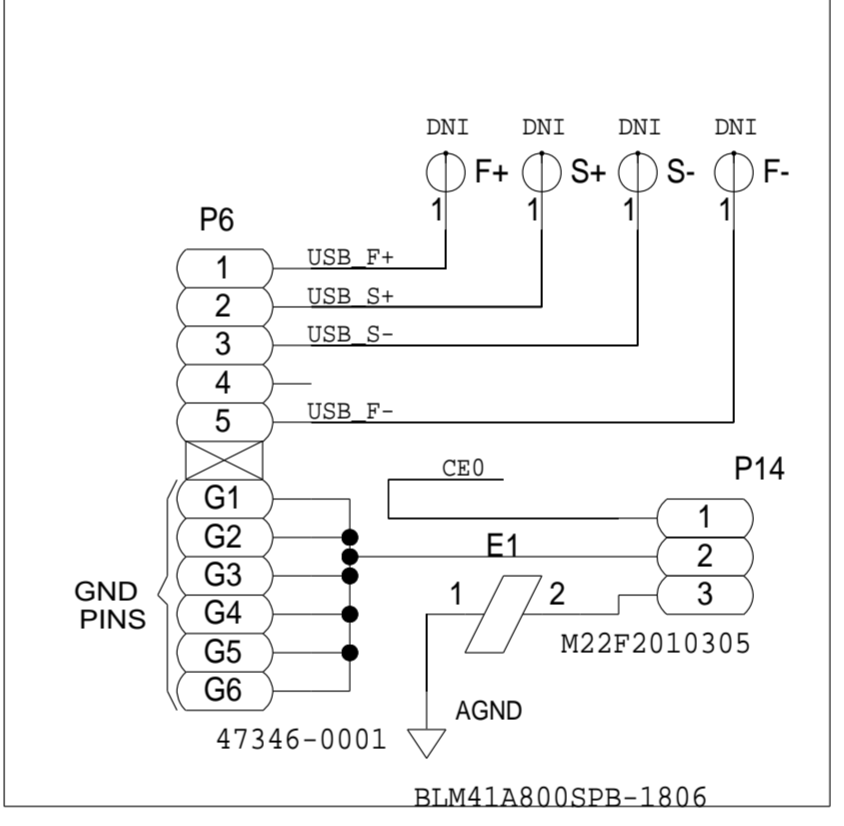


DEFAULT: MONITOR BW: 0.34HZ TO 32HZ
 Q=0.777 GAIN = 296
 MOD (): SPORT BW: 7HZ TO 21HZ
 Q=0.825 GAIN = 767

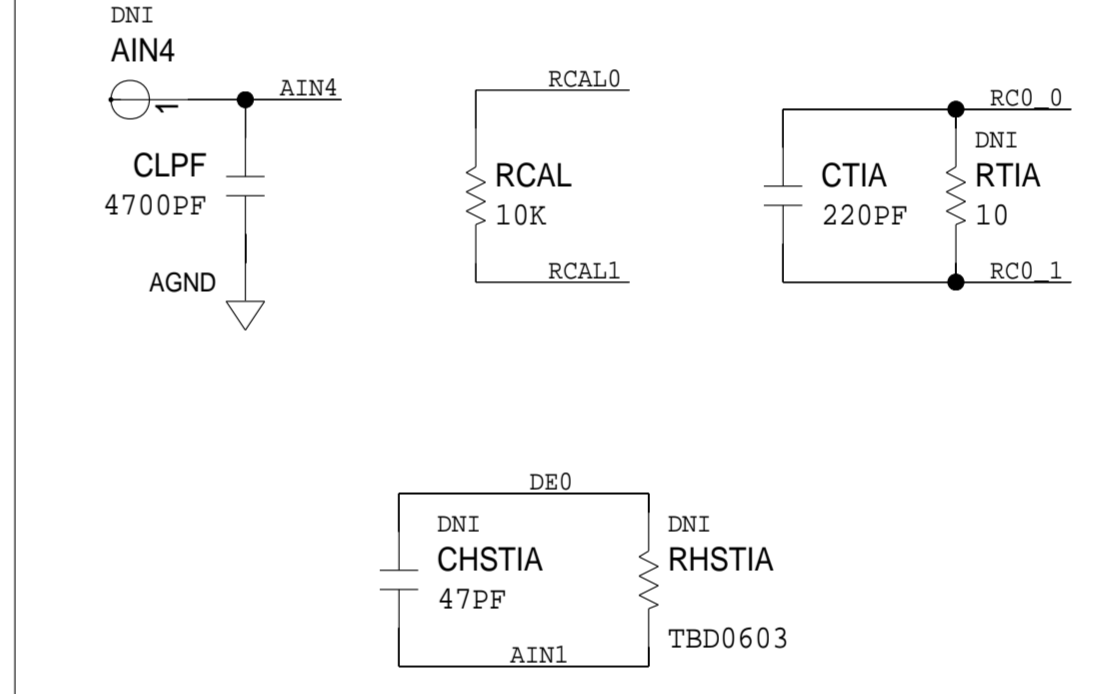
ELECTRODES



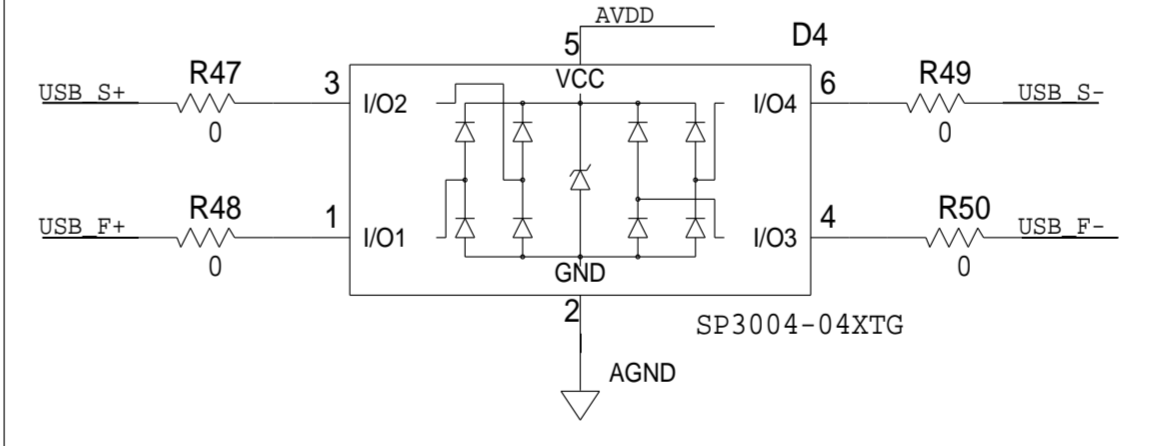
USB CONNECTOR



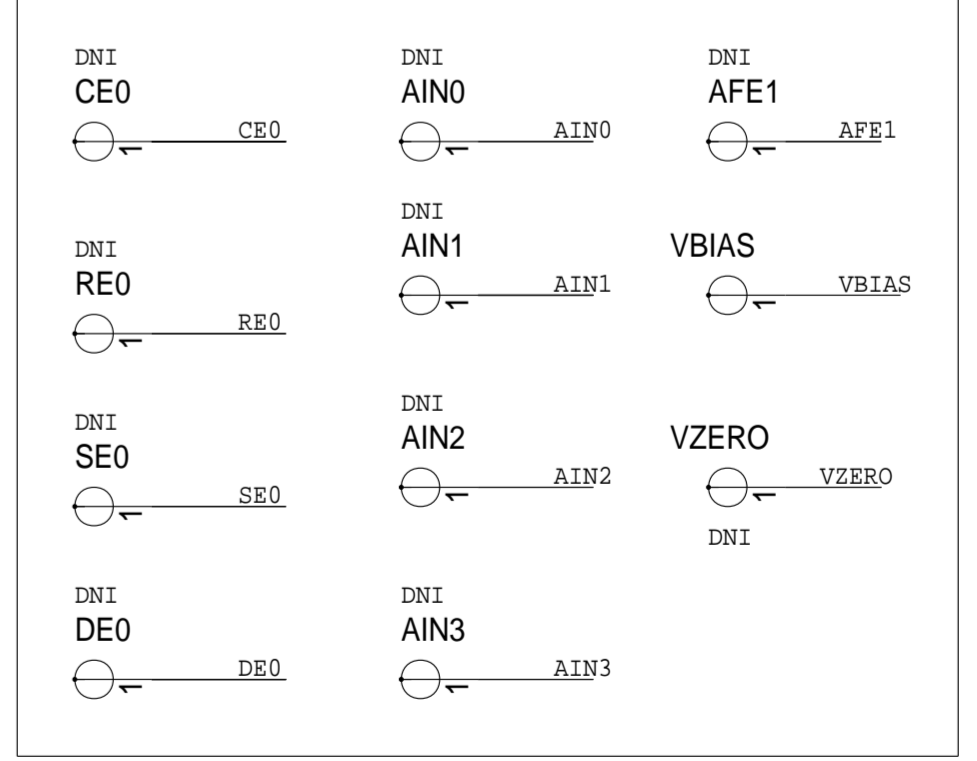
EXT COMPONENTS



ELECTRODE ESD PROTECTION



TEST POINTS



	SCHEMATIC		
	HW TYPE : Customer Evaluation Z Product(s) : AD5940 : AD8233		
DESIGN VIEW <DESIGN_VIEW>	DRAWING NO. 02_049988	REV A	PTD ENGINEER M LAMBE
SIZE D	SCALE 1:1	SHEET 3 OF 3	