

THIS DRAWING IS THE PROPERTY OF ANALOG DEVICES INC. IT IS NOT TO BE REPRODUCED OR COPIED, IN WHOLE OR IN PART, OR USED IN FURNISHING INFORMATION TO OTHERS, OR FOR ANY OTHER PURPOSE DETRIMENTAL TO THE INTERESTS OF ANALOG DEVICES. THE EQUIPMENT SHOWN HEREON MAY BE PROTECTED BY PATENTS OWNED OR CONTROLLED BY ANALOG DEVICES.


RELAY CONTROL CHART

CONTROL	CODE	DEVICE	FUNCTION	CONNECTOR

JUMPER TABLE		
JP#	ON	OFF
1		
2		
3		
4		
5		

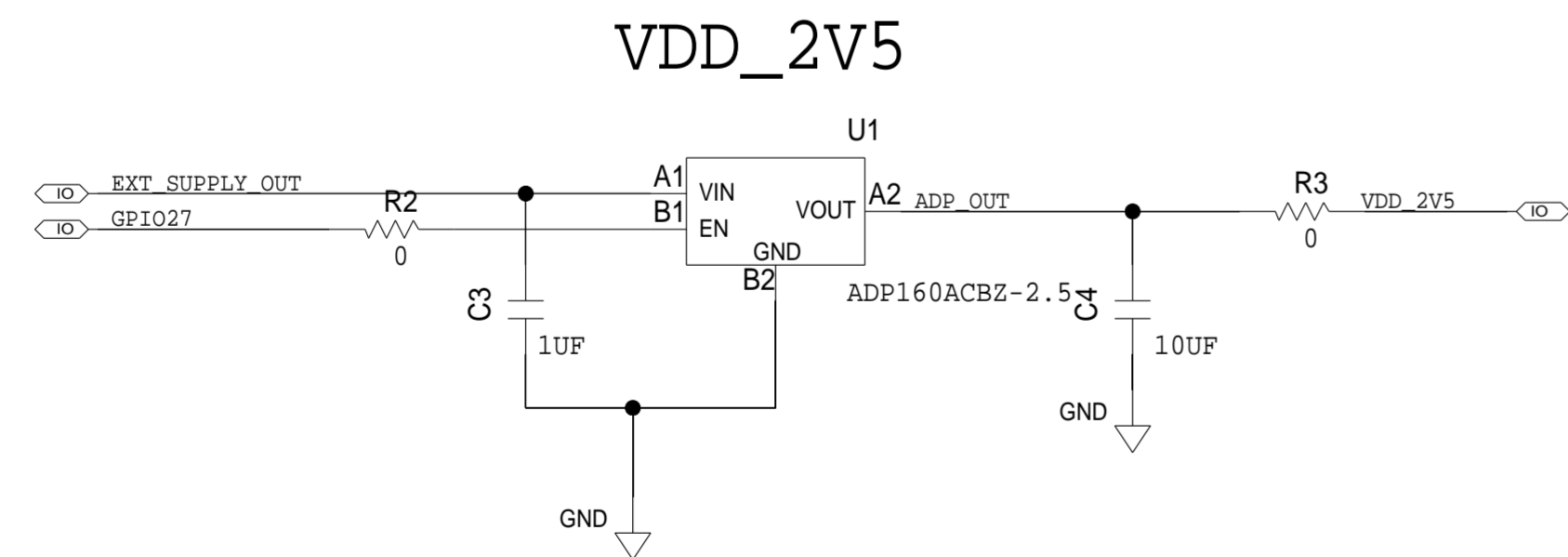
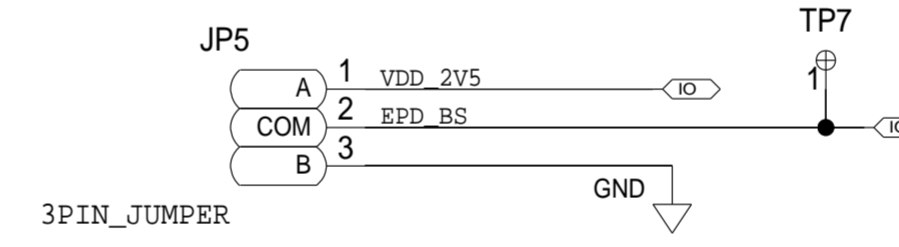
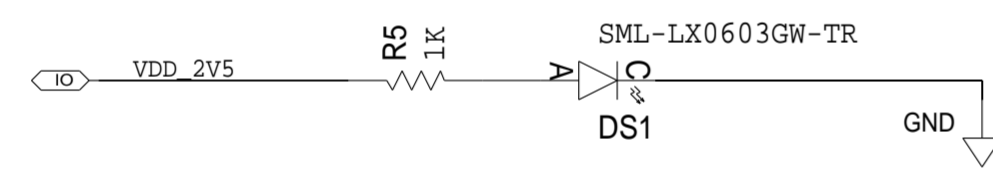
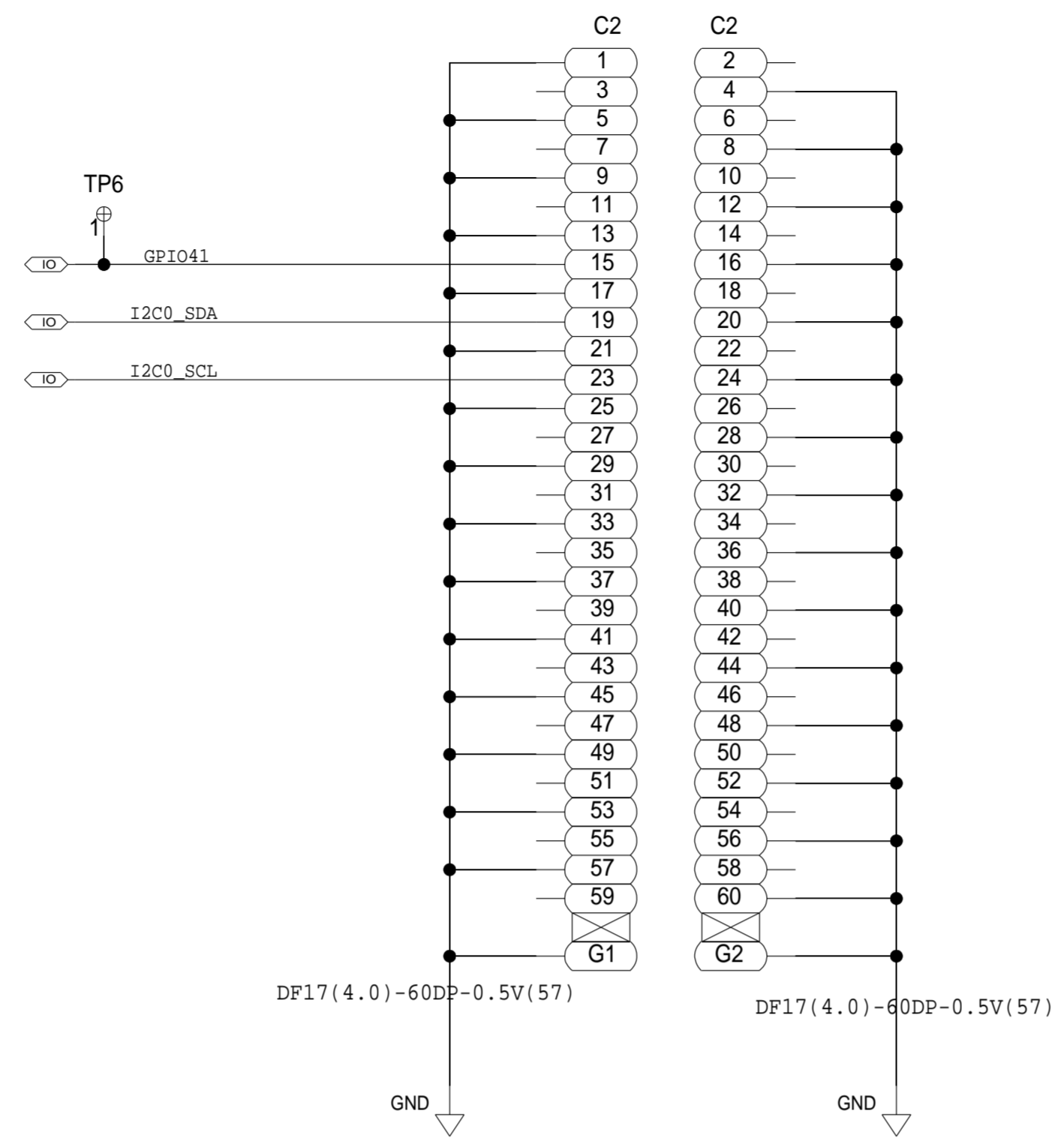
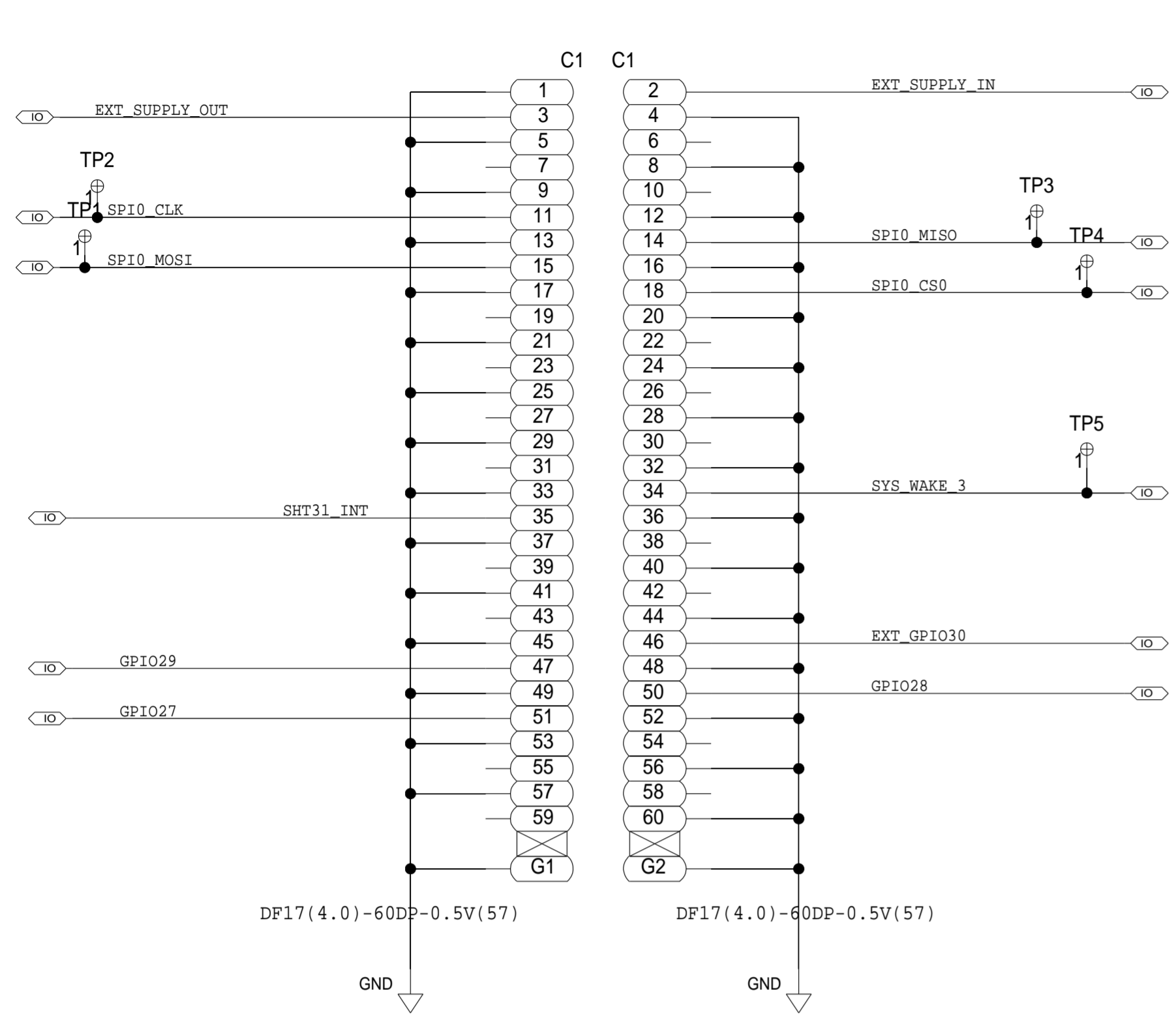
\* SEE ASSEMBLY INSTRUCTIONS

REVISIONS			
REV	DESCRIPTION	DATE	APPROVED
A	INITIAL RELEASE	15JUN18	S.RAO

TEMPLATE ENGINEER N/A	DATE N/A	<b>SCHEMATIC</b> 		
HARDWARE SERVICES M. JOSE	15JUN18			
HARDWARE SYSTEMS N/A	N/A	HW TYPE : Customer Evaluation Z Product(s): EV-GEAR-SENS1Z		
TEST ENGINEER N/A	N/A	PACKAGE : N/A-lead N/A N/A-family : Pitch-pitch StyleVendor Style		
COMPONENT ENGINEER A. CAUILAN	15JUN18	<User Define>		
TEST PROCESS N/A	N/A	<User Define>		
HARDWARE RELEASE K. JABATAN	15JUN18	<User Define>		
DESIGNER N. OJALE	15JUN18	MASTER PROJECT TEMPLATE TBD	TESTER TEMPLATE no_template	DRAWING NO. 02_049698 <span style="float: right;">REV. A</span>
PTD ENGINEER S. RAO	15JUN18	<small>UNLESS OTHERWISE SPECIFIED DIMENSIONS ARE IN INCHES</small> <b>TOLERANCES</b> DECIMALS     FRACTIONS     ANGLES X.XX +0.010     +1/32            +2 X.XXX +0.005		
CHECKER N/A	N/A	SIZE <b>D</b>	SCALE 1:1	CODE ID NO. CodeID
P.O SPEC.		BK/BD SPEC.	SOCKET OEM	OEM PART#
HANDLER		SHEET 1 OF 3		

# COG BOARD CONNECTORS

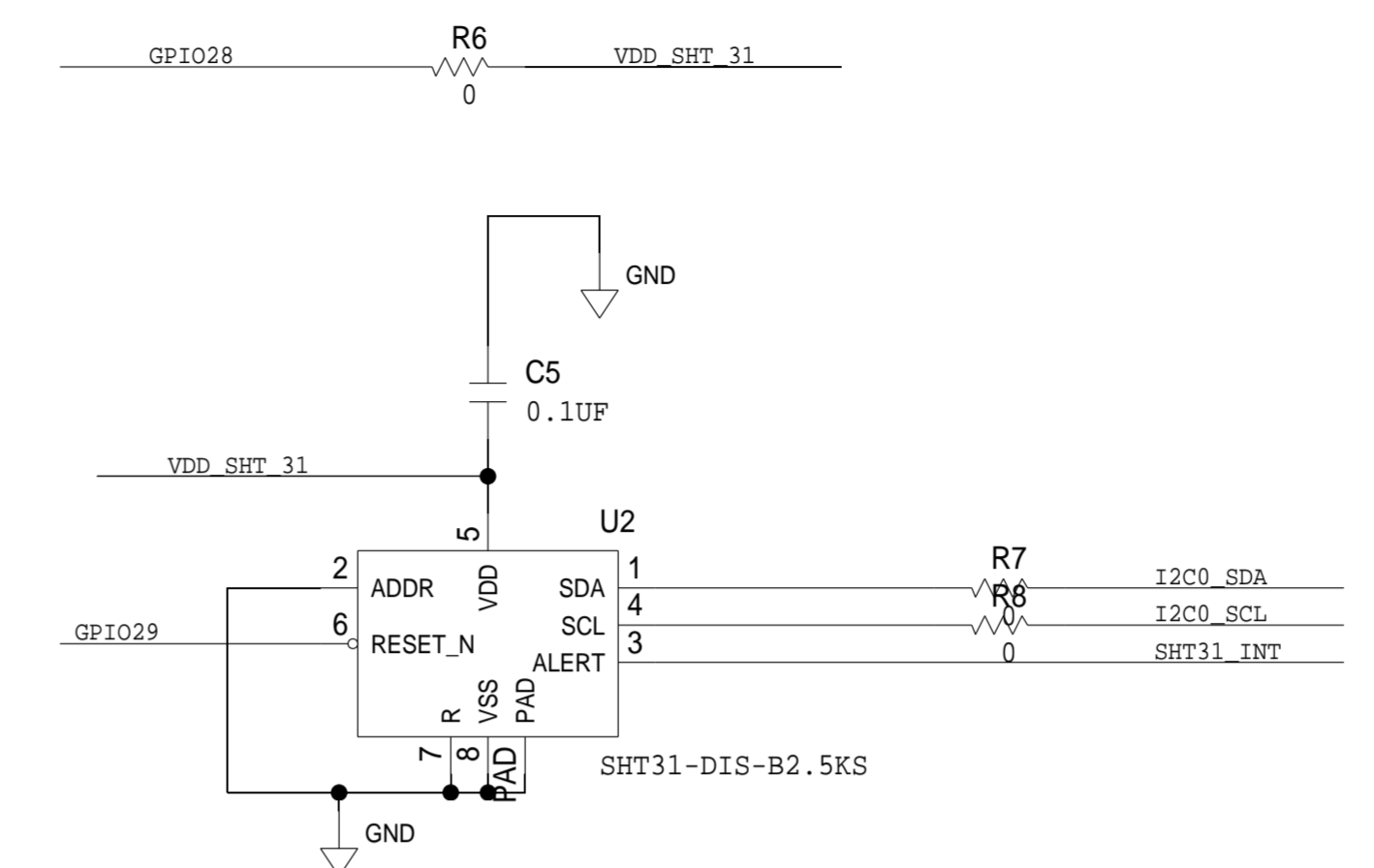
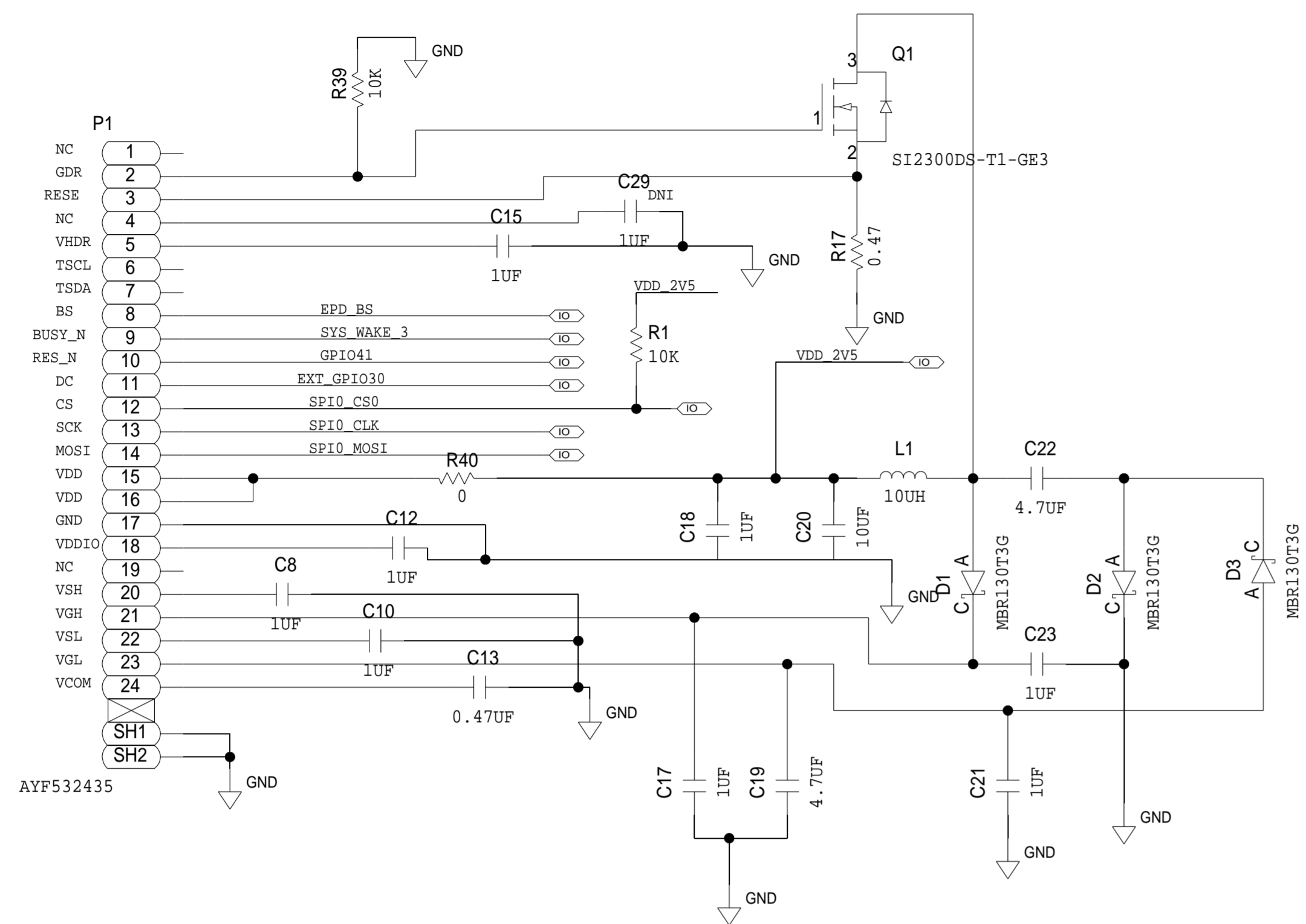
REVISIONS			
REV	DESCRIPTION	DATE	APPROVED



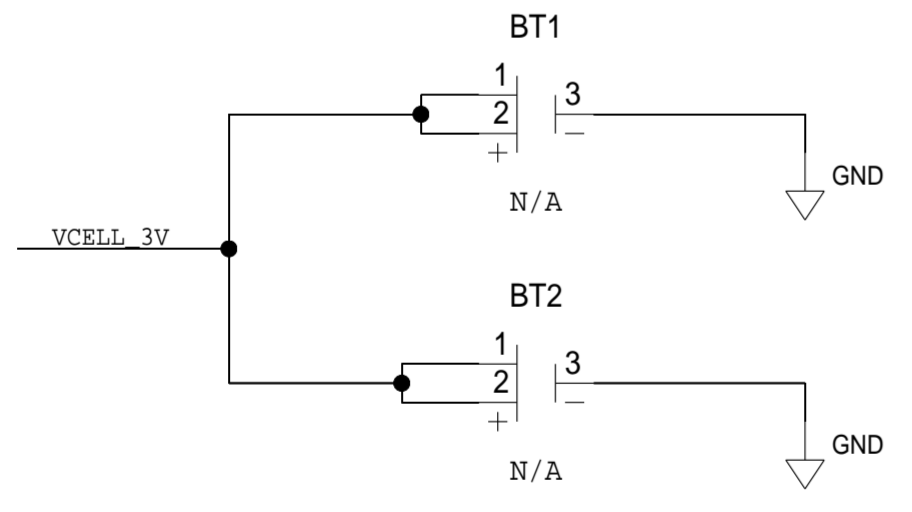
	<b>SCHEMATIC</b>		
	HW TYPE : Customer Evaluation Z Product(s) : EV-GEAR-SENS1Z		
	DESIGN VIEW <DESIGN_VIEW>	DRAWING NO. 02_049698	REV A
	PTD ENGINEER S. RAO	SIZE D	SCALE 1:1
		SHEET 2 OF 3	

REVISIONS			
REV	DESCRIPTION	DATE	APPROVED

### E-INK PAPER DISPLAY



### POWER MANAGEMENT



	<b>SCHEMATIC</b>		
	HW TYPE : Customer Evaluation Z Product(s) : EV-GEAR-SENS1Z		
DESIGN VIEW <DESIGN_VIEW>	DRAWING NO. 02_049698	REV A	
PTD ENGINEER S. RAO	SIZE D	SCALE 1:1	SHEET 3 OF 3