

THIS DRAWING IS THE PROPERTY OF ANALOG DEVICES INC. IT IS NOT TO BE REPRODUCED OR COPIED, IN WHOLE OR IN PART, OR USED IN FURNISHING INFORMATION TO OTHERS, OR FOR ANY OTHER PURPOSE DETRIMENTAL TO THE INTERESTS OF ANALOG DEVICES. THE EQUIPMENT SHOWN HEREON MAY BE PROTECTED BY PATENTS OWNED OR CONTROLLED BY ANALOG DEVICES.

RELAY CONTROL CHART

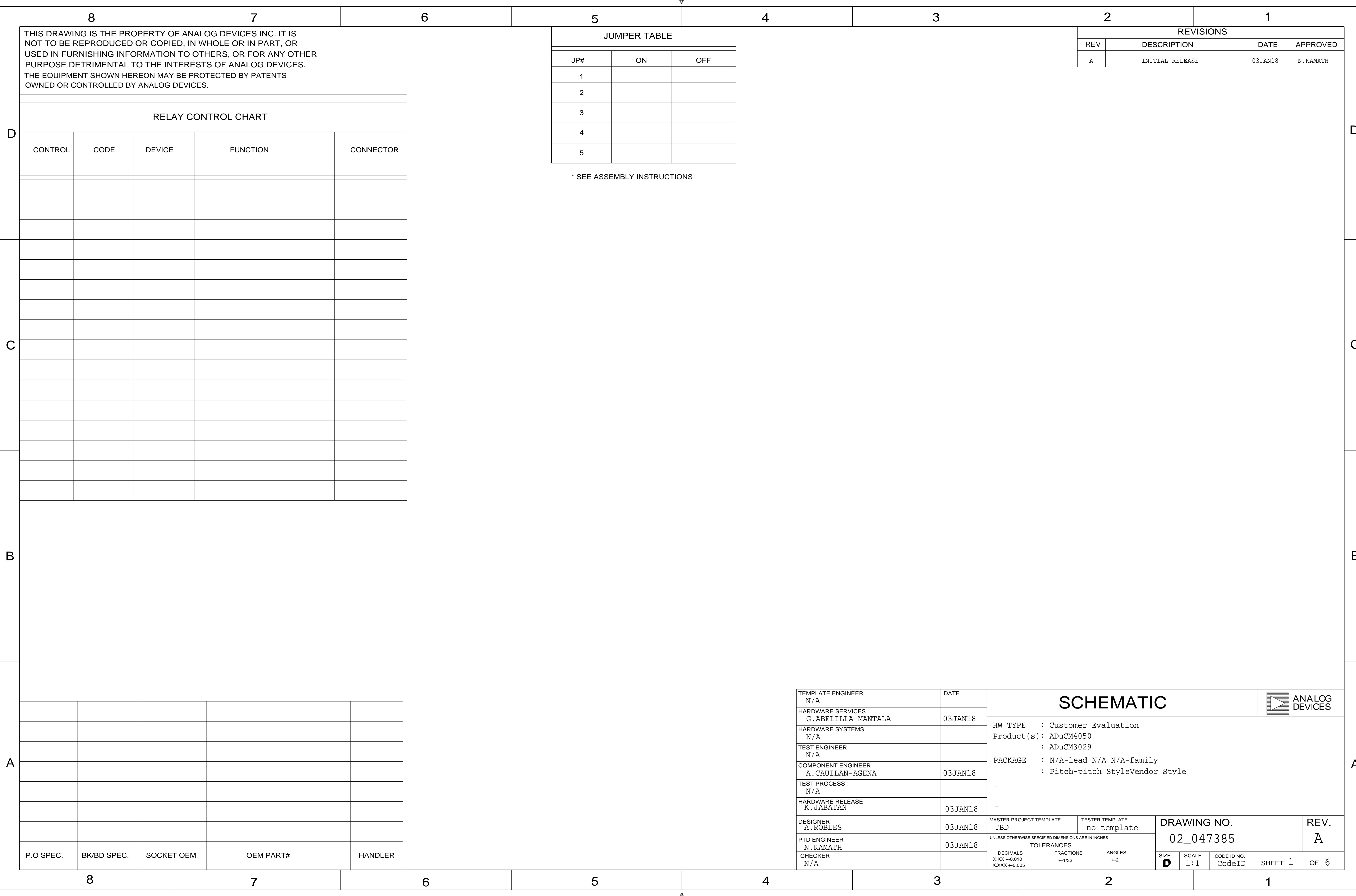
CONTROL	CODE	DEVICE	FUNCTION	CONNECTOR

JUMPER TABLE		
JP#	ON	OFF
1		
2		
3		
4		
5		

* SEE ASSEMBLY INSTRUCTIONS

REVISIONS			
REV	DESCRIPTION	DATE	APPROVED
A	INITIAL RELEASE	03JAN18	N. KAMATH

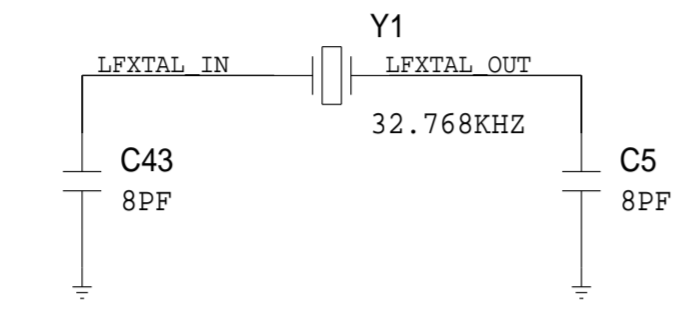
TEMPLATE ENGINEER N/A	DATE	SCHEMATIC 			
HARDWARE SERVICES G.ABELILLA-MANTALA	03JAN18		HW TYPE : Customer Evaluation		
HARDWARE SYSTEMS N/A			Product(s) : ADuCM4050		
TEST ENGINEER N/A			: ADuCM3029		
COMPONENT ENGINEER A. CAUILAN-AGENA	03JAN18		PACKAGE : N/A-lead N/A N/A-family		
TEST PROCESS N/A			: Pitch-pitch StyleVendor Style		
HARDWARE RELEASE K. JABATAN	03JAN18		-		
			-		
DESIGNER A. ROBLER	03JAN18		MASTER PROJECT TEMPLATE TBD	TESTER TEMPLATE no_template	DRAWING NO. 02_047385
PTD ENGINEER N. KAMATH	03JAN18		UNLESS OTHERWISE SPECIFIED DIMENSIONS ARE IN INCHES TOLERANCES		REV. A
CHECKER N/A		DECIMALS X.XX +0.010 X.XXX +0.005	FRACTIONS +1/32	ANGLES +2	
P.O SPEC.	BK/BD SPEC.	SOCKET OEM	OEM PART#	HANDLER	
		SIZE D	SCALE 1:1	CODE ID NO. CodeID	
				SHEET 1 OF 6	



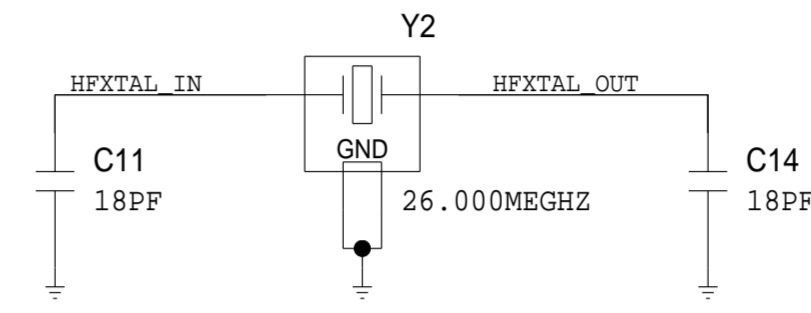
REVISIONS			
REV	DESCRIPTION	DATE	APPROVED

ULP SOC

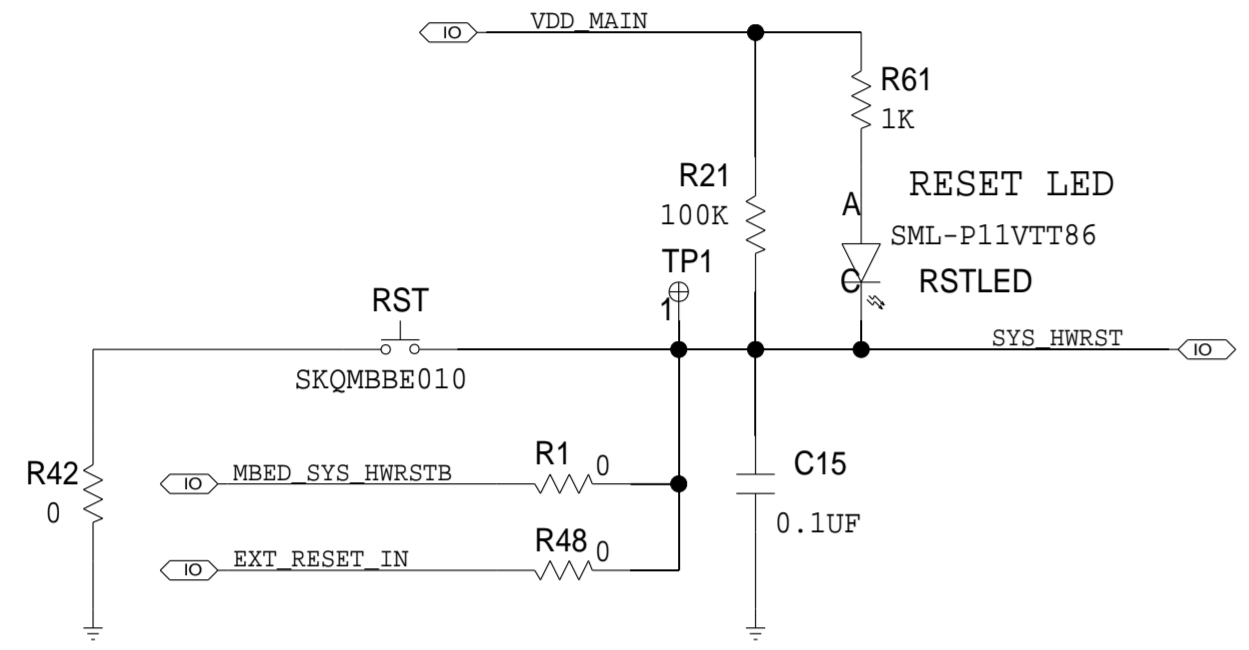
LFCLK CRYSTAL



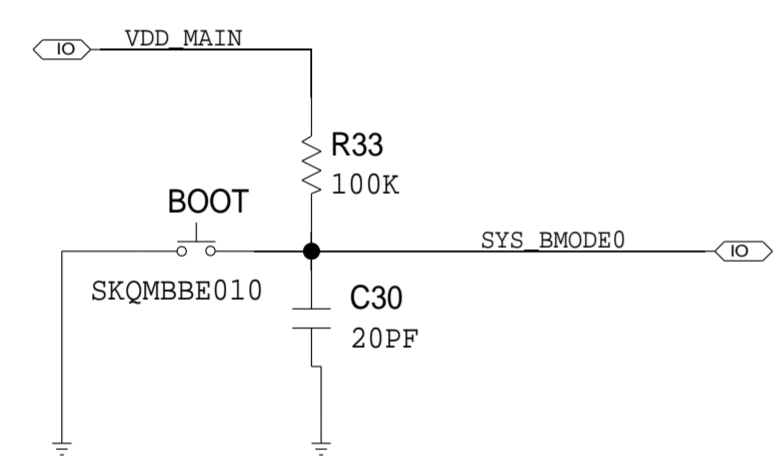
HFCLK CRYSTAL



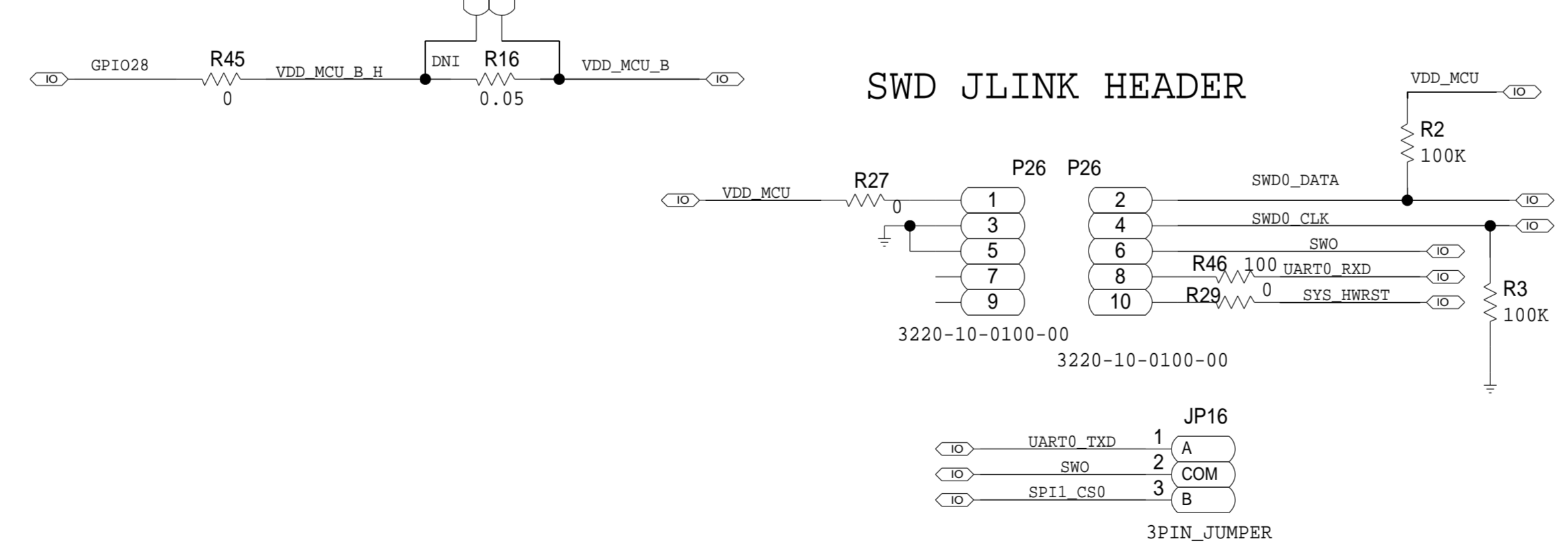
RESET



BOOT BUTTON

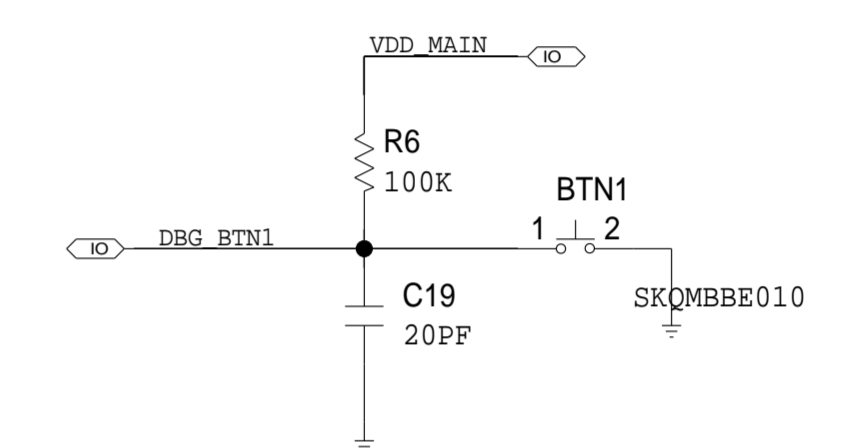


SWD JLINK HEADER

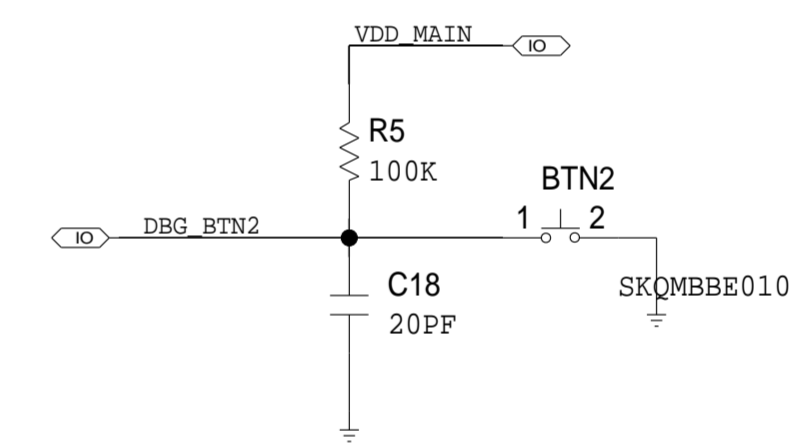


USE ZERO RESISTORS
IN DEFAULT POSITION A

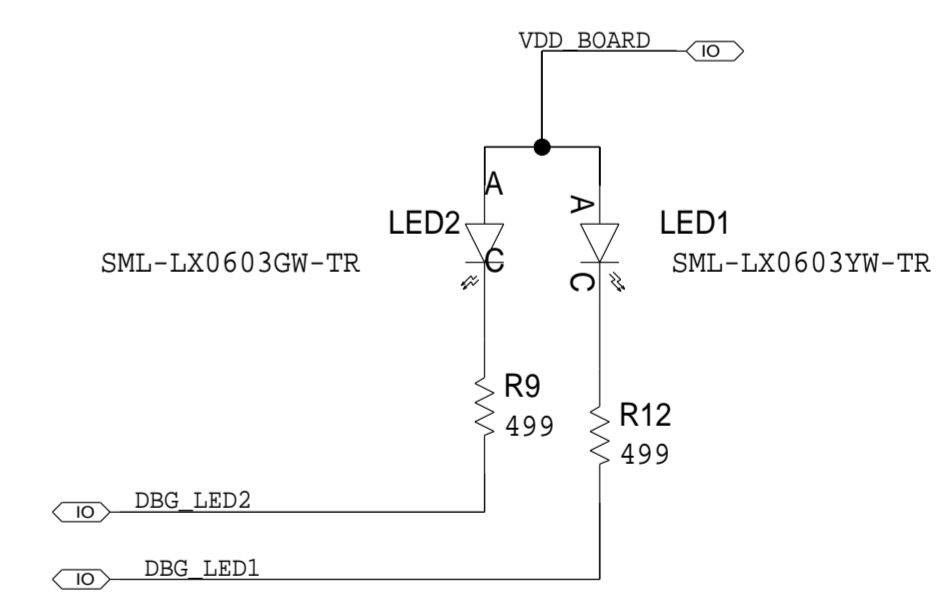
DEBUG BUTTON #1



DEBUG BUTTON #2



DEBUG LED #1 & #2



	SCHEMATIC		
	HW TYPE : Customer Evaluation Product(s) : ADuCM4050 : ADuCM3029		
DESIGN VIEW <DESIGN_VIEW>	DRAWING NO. 02_047385	REV A	SIZE D
PTD ENGINEER N. KAMATH	SCALE 1:1	SHEET 2 OF 6	

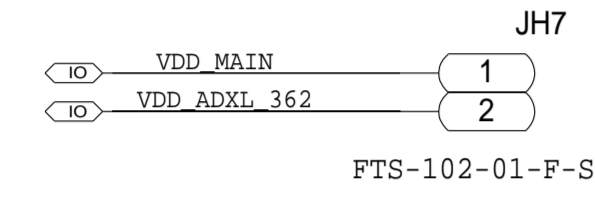
THIS DRAWING IS THE PROPERTY OF ANALOG DEVICES INC. IT IS NOT TO BE REPRODUCED OR COPIED, IN WHOLE OR IN PART, OR USED IN FURNISHING INFORMATION TO OTHERS, OR FOR ANY OTHER PURPOSE DETRIMENTAL TO THE INTERESTS OF ANALOG DEVICES. THE EQUIPMENT SHOWN HEREIN MAY BE PROTECTED BY PATENTS OWNED OR CONTROLLED BY ANALOG DEVICES.

REVISIONS			
REV	DESCRIPTION	DATE	APPROVED

SENSORS AND CONNECTIVITY

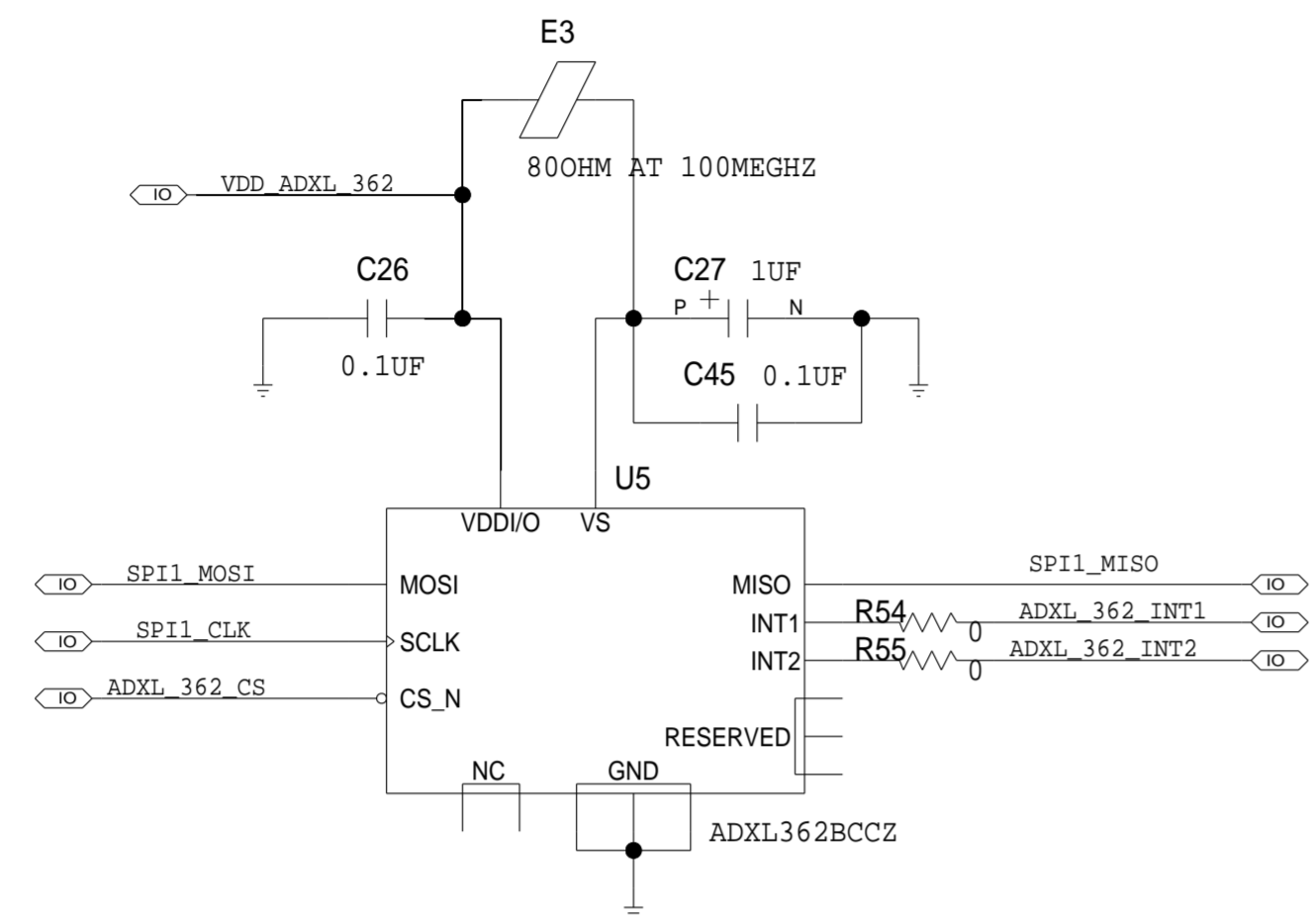
ACCELEROMETER - ADXL362

INSERT SHUNT
IN DEFAULT POSITION 1&2

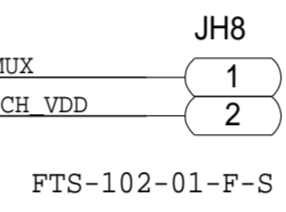
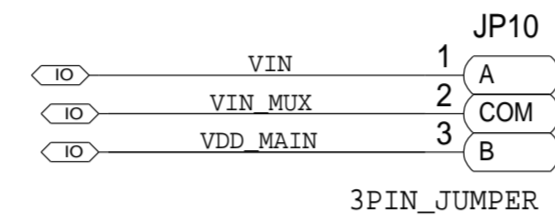


FTS-102-01-F-S

REMOVE SHUNT AT JH7
IF SHORTING R64 BELOW

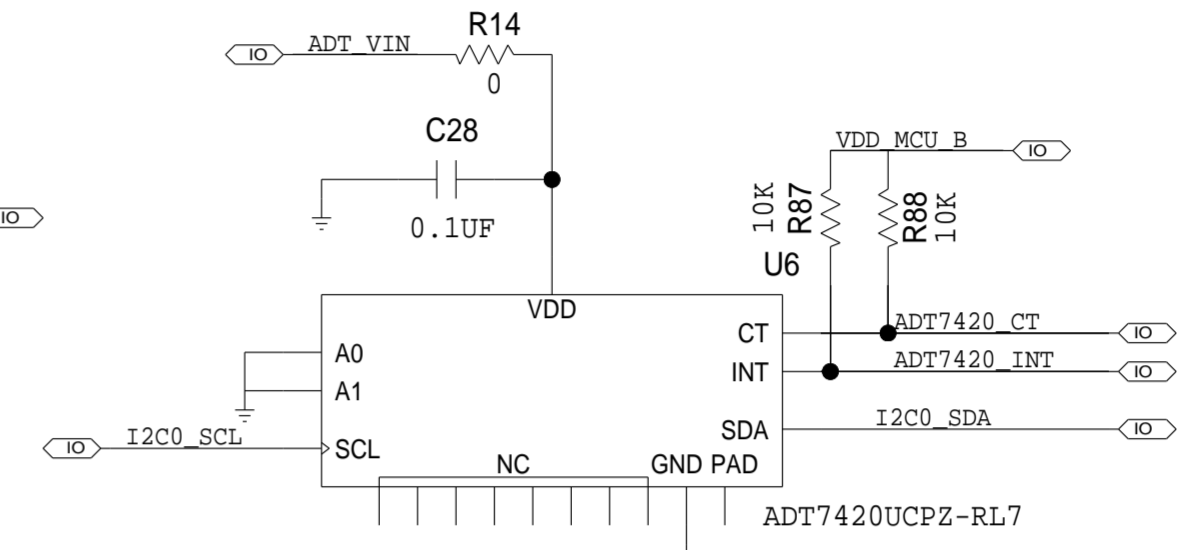
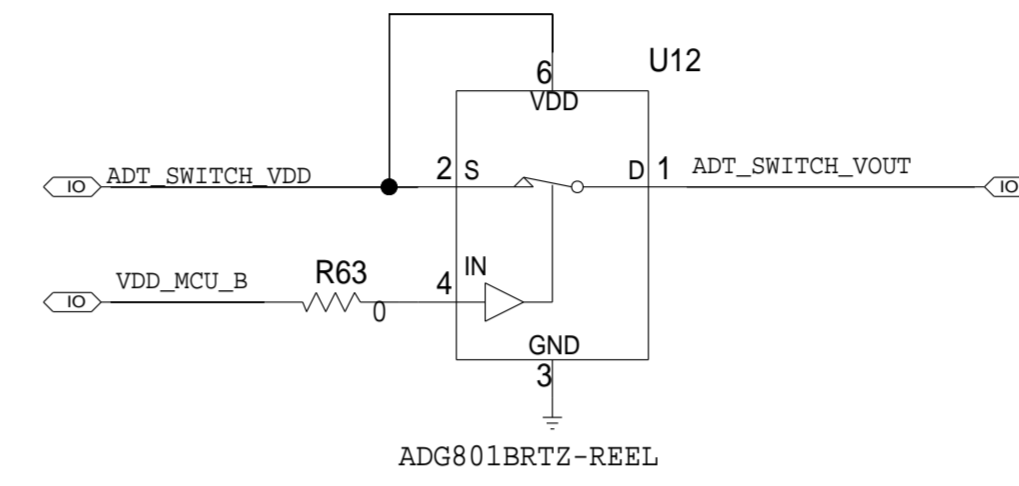


USE ZERO RESISTORS
IN DEFAULT POSITION A

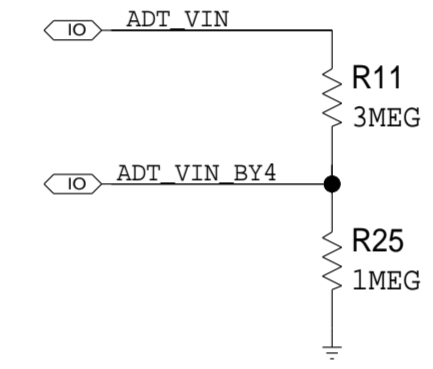
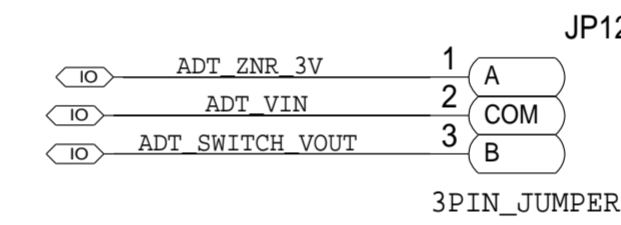
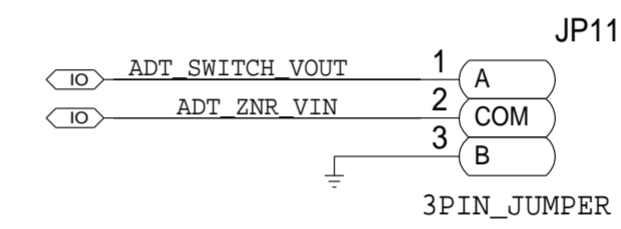


FTS-102-01-F-S

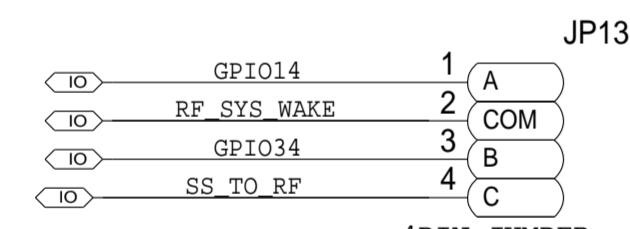
TEMPERATURE - ADT7420



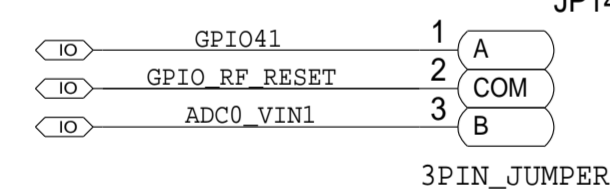
USE ZERO RESISTORS
IN DEFAULT POSITION A



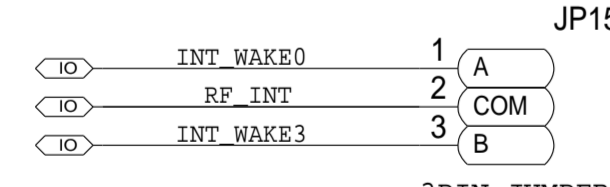
USE ZERO RESISTORS
IN DEFAULT POSITION A



4PIN_JUMPER

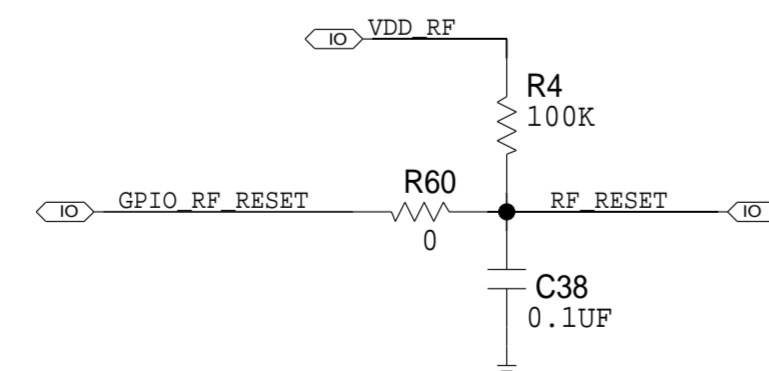
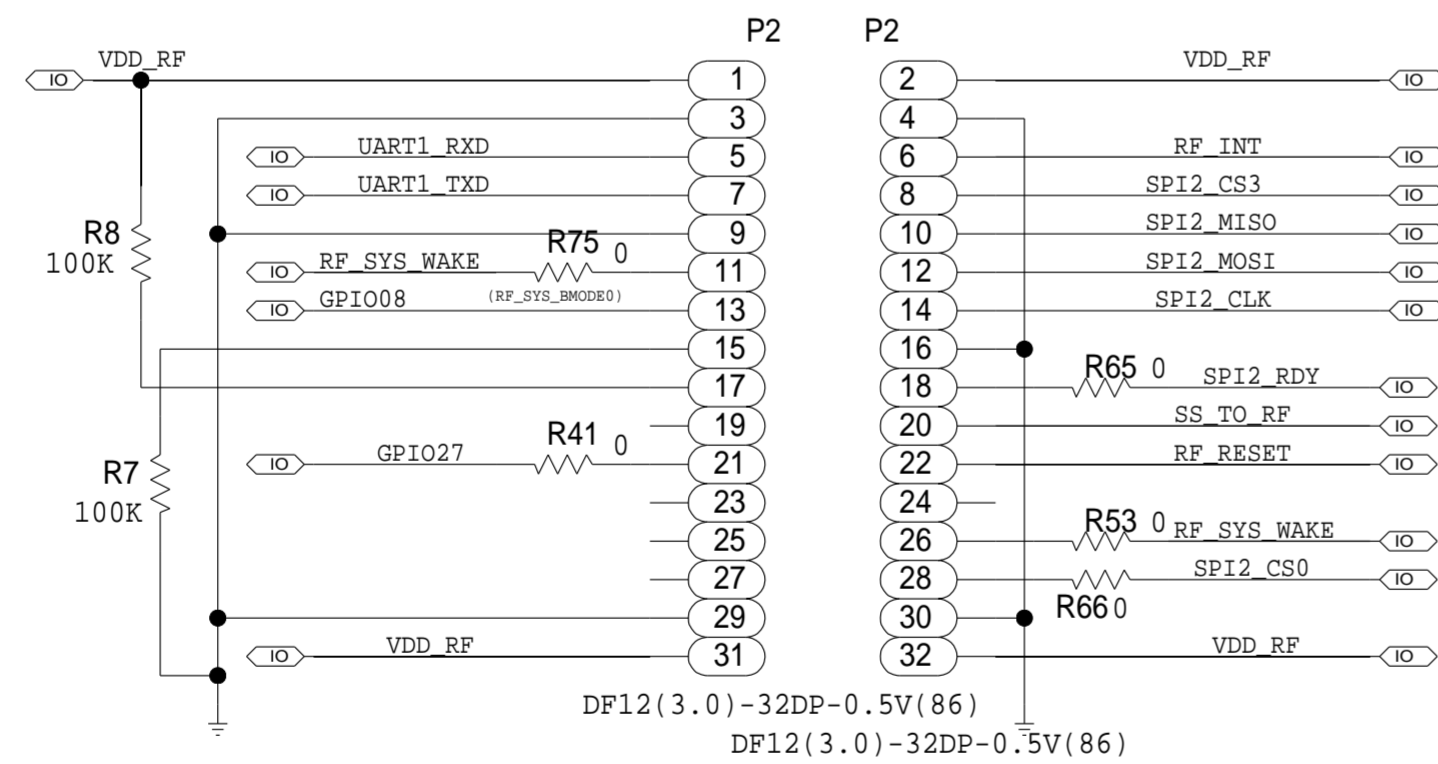


3PIN_JUMPER

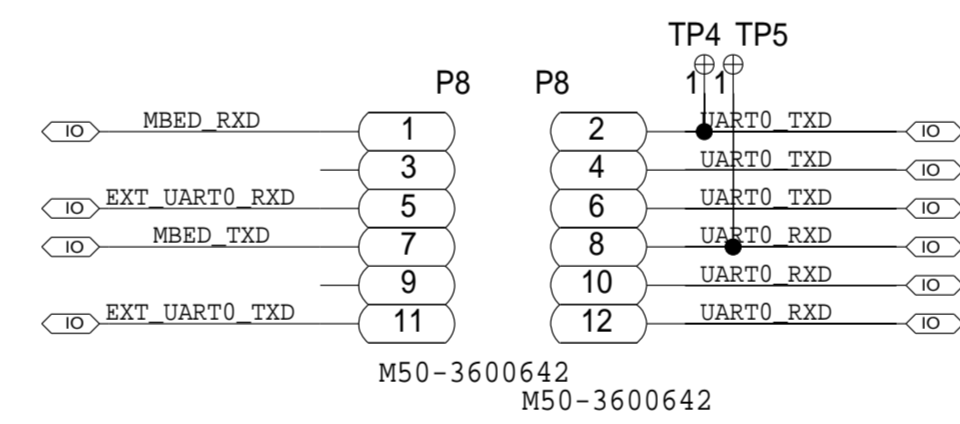


3PIN_JUMPER

ADI RF MODULE



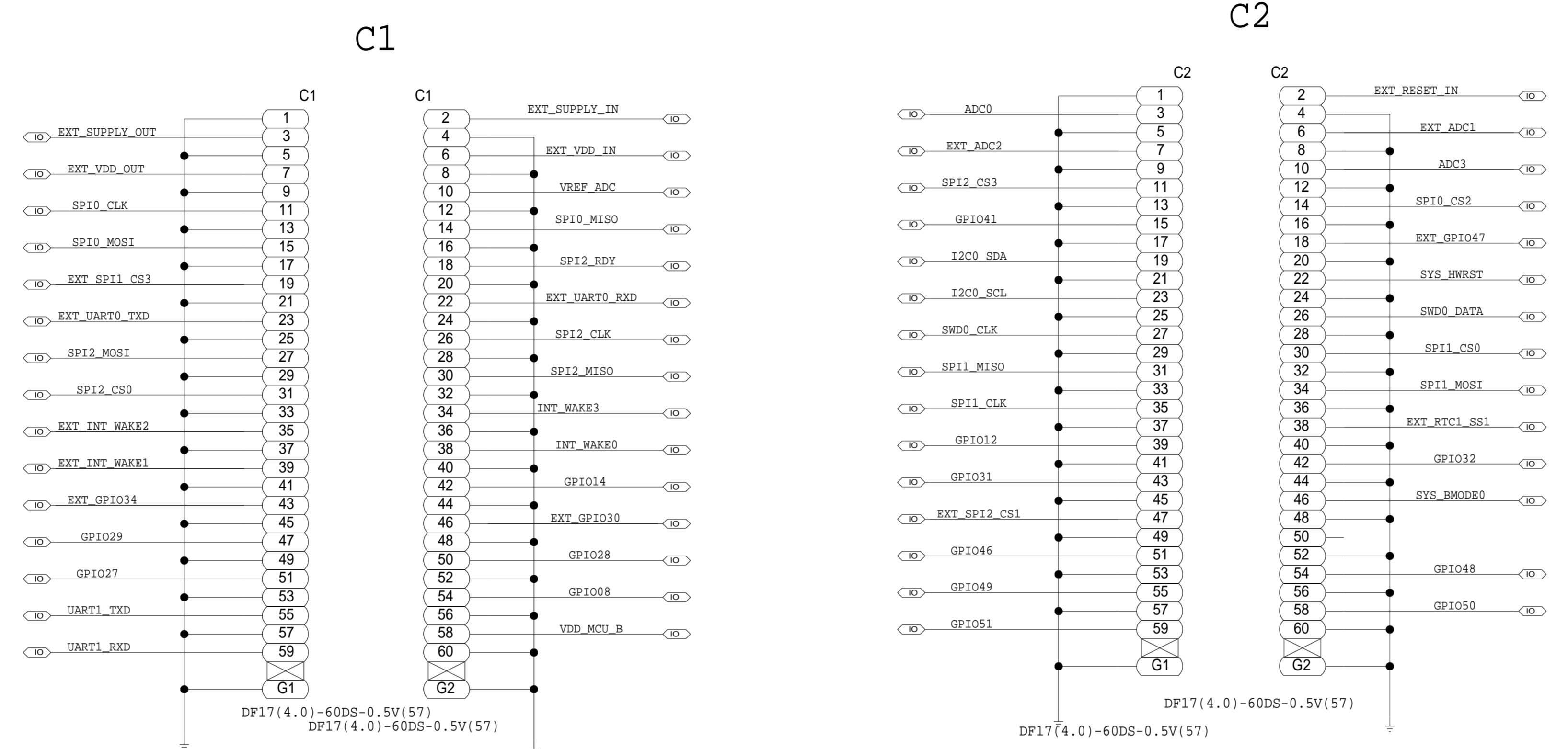
UART HEADER



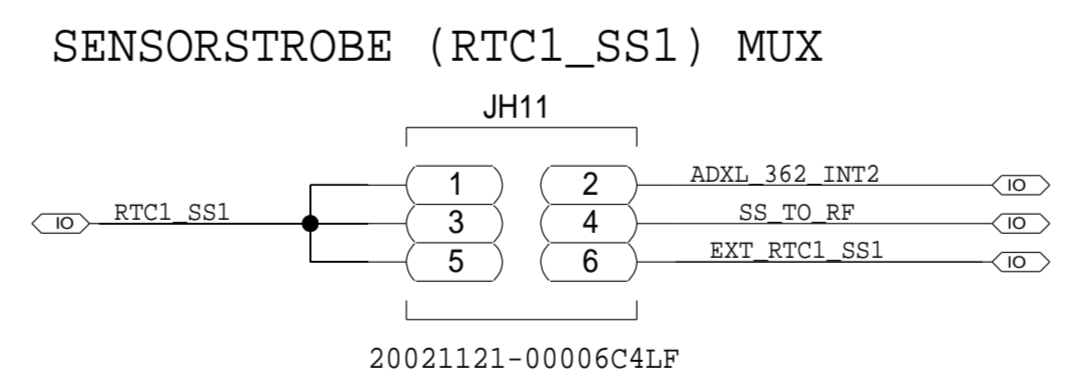
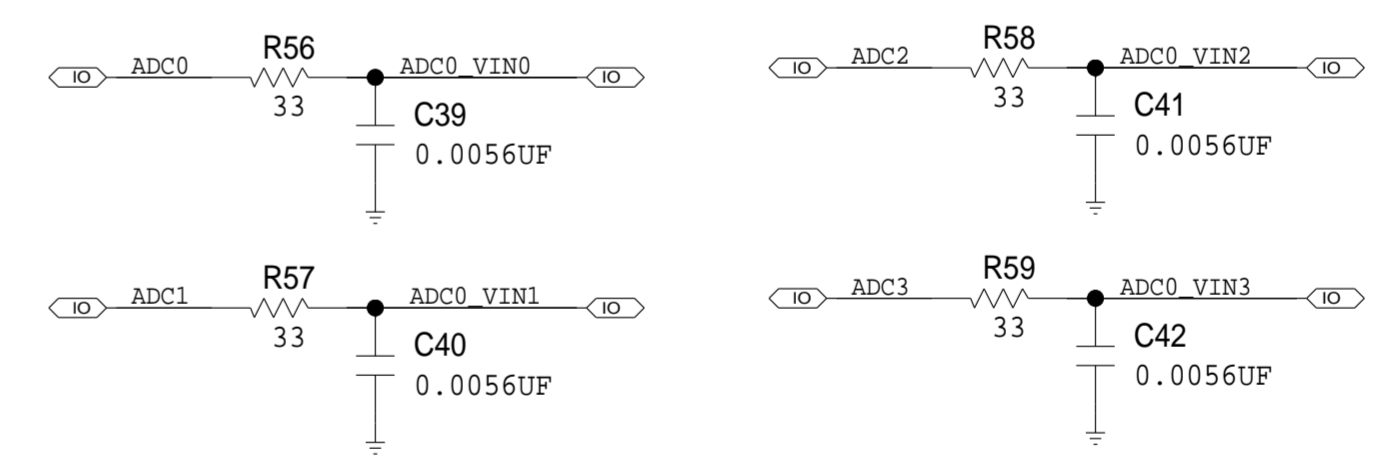
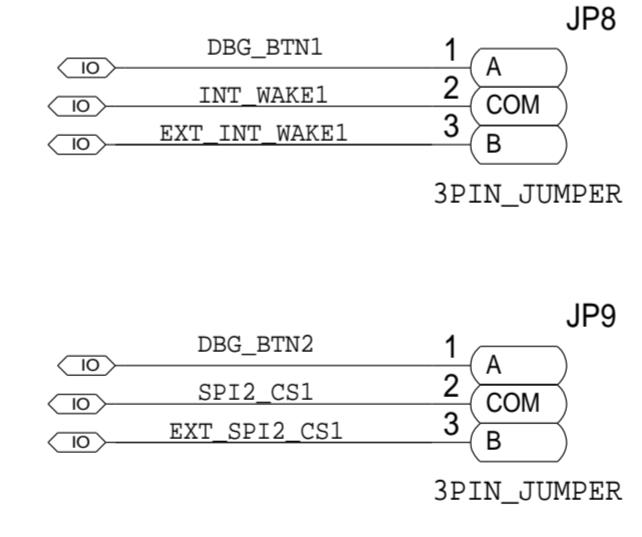
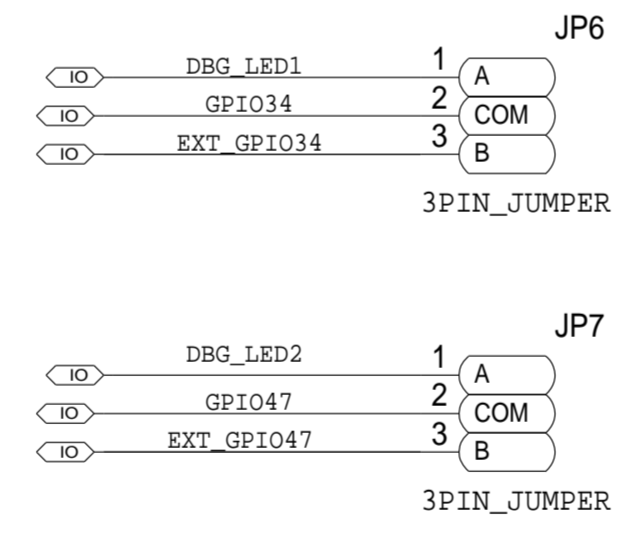
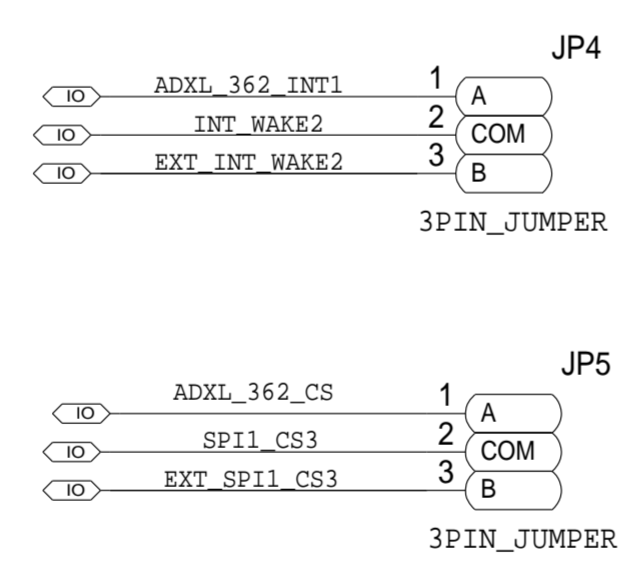
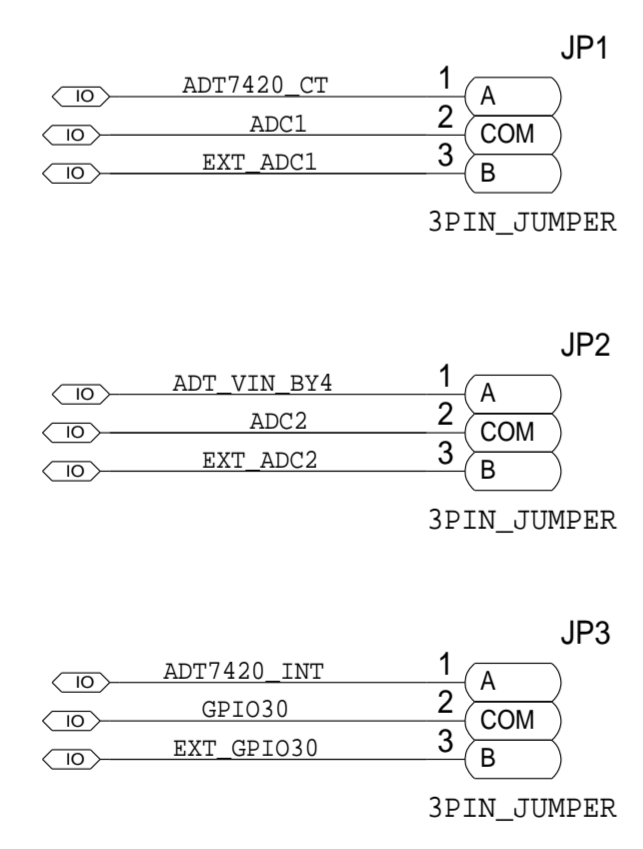
ANALOG DEVICES		SCHEMATIC			
<small>THIS DRAWING IS THE PROPERTY OF ANALOG DEVICES INC. IT IS NOT TO BE REPRODUCED OR COPIED, IN WHOLE OR IN PART, OR USED IN ANY MANNER THAT IS DETRIMENTAL TO THE INTERESTS OF ANALOG DEVICES. THE EQUIPMENT SHOWN HEREIN MAY BE PROTECTED BY PATENTS OWNED OR CONTROLLED BY ANALOG DEVICES.</small>		HW TYPE : Customer Evaluation		DRAWING NO. 02_047385	
		Product(s) : ADuCM4050 : ADuCM3029		REV A	
DESIGN VIEW <DESIGN_VIEW>		SIZE D	SCALE 1:1	SHEET 3 OF 6	
PTD ENGINEER N. KAMATH					

REVISIONS			
REV	DESCRIPTION	DATE	APPROVED

EXPANSION CONNECTORS



USE ZERO RESISTORS
IN DEFAULT POSITION A

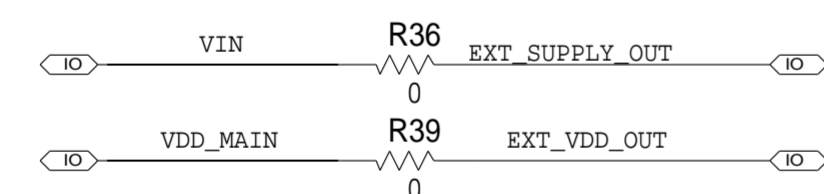
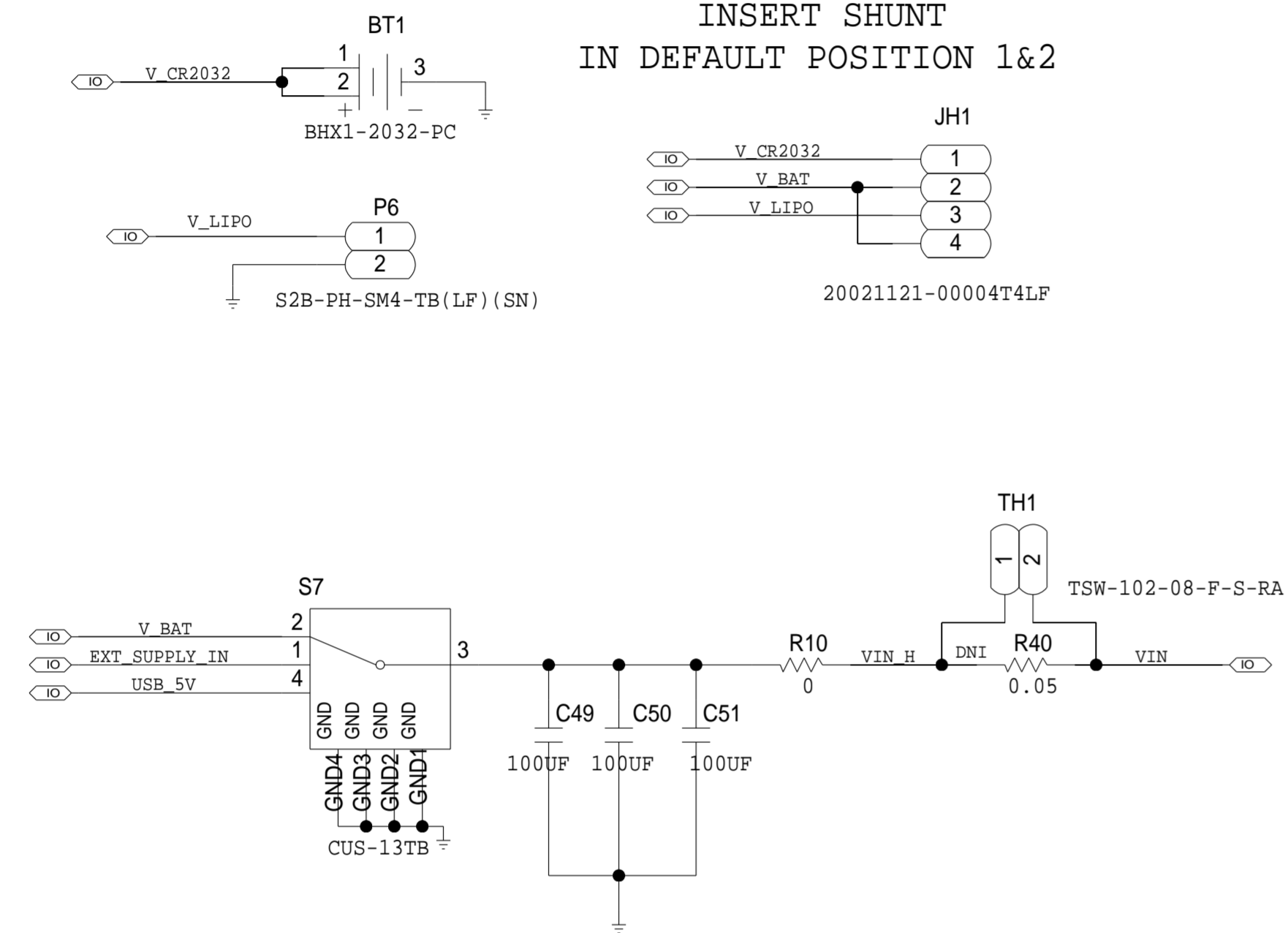


	SCHEMATIC		
	HW TYPE : Customer Evaluation Product(s) : ADuCM4050 : ADuCM3029		
DESIGN VIEW <DESIGN_VIEW>	DRAWING NO. 02_047385	REV A	
PTD ENGINEER N. KAMATH	SIZE D	SCALE 1:1	SHEET 4 OF 6

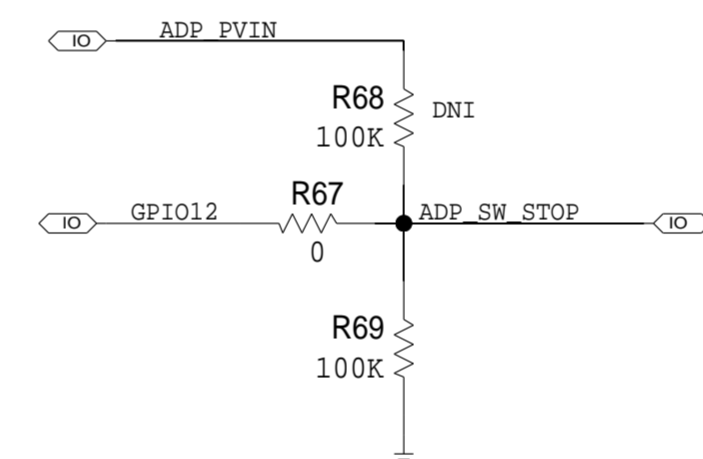
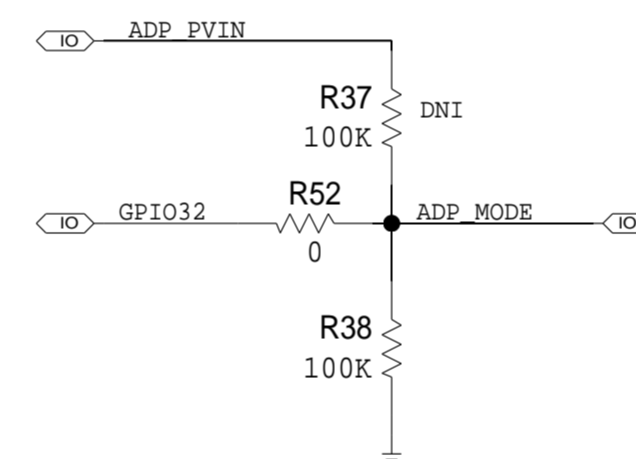
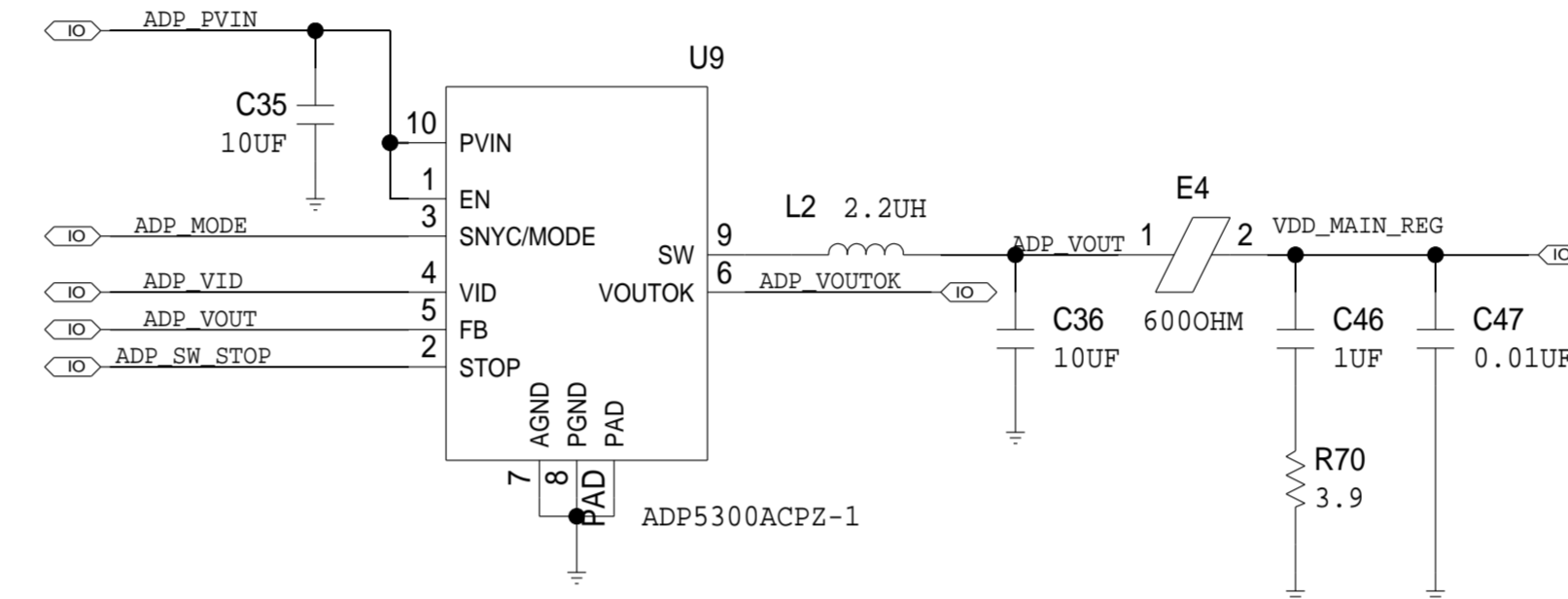
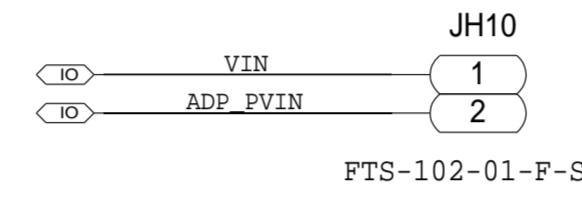
REVISIONS			
REV	DESCRIPTION	DATE	APPROVED

POWER MANAGEMENT

POWER SUPPLY OPTIONS

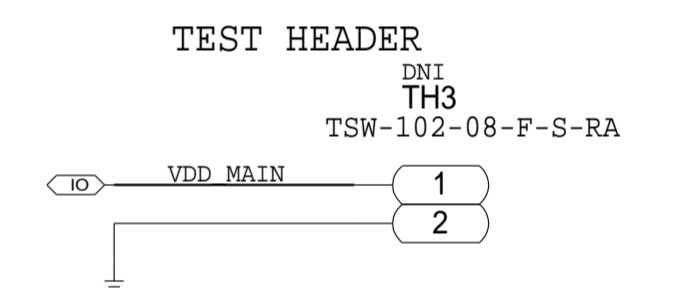
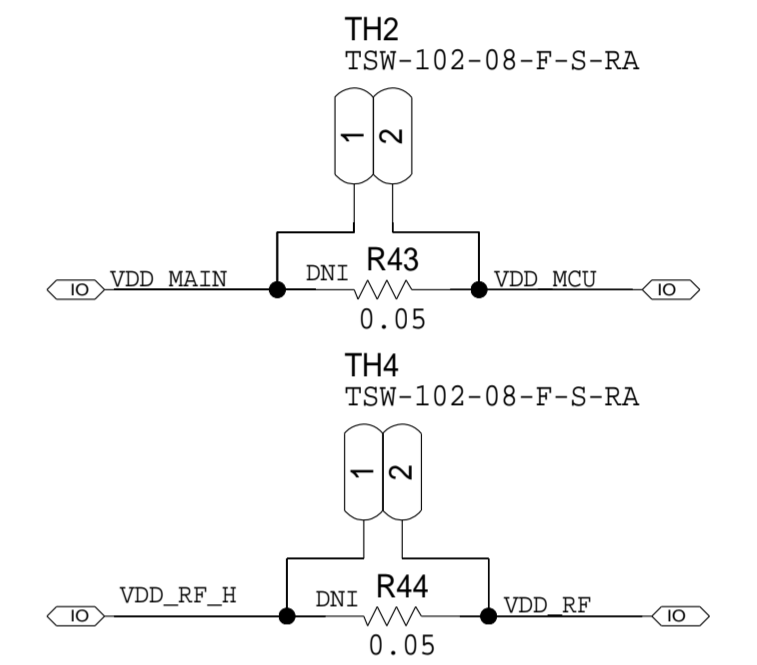
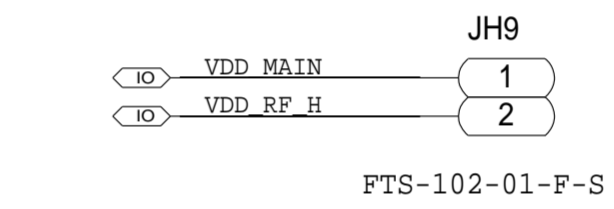
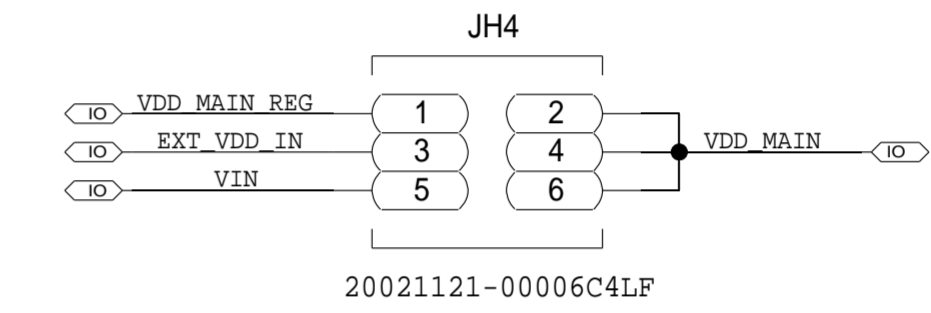


INSERT SHUNT
IN DEFAULT POSITION 1&2

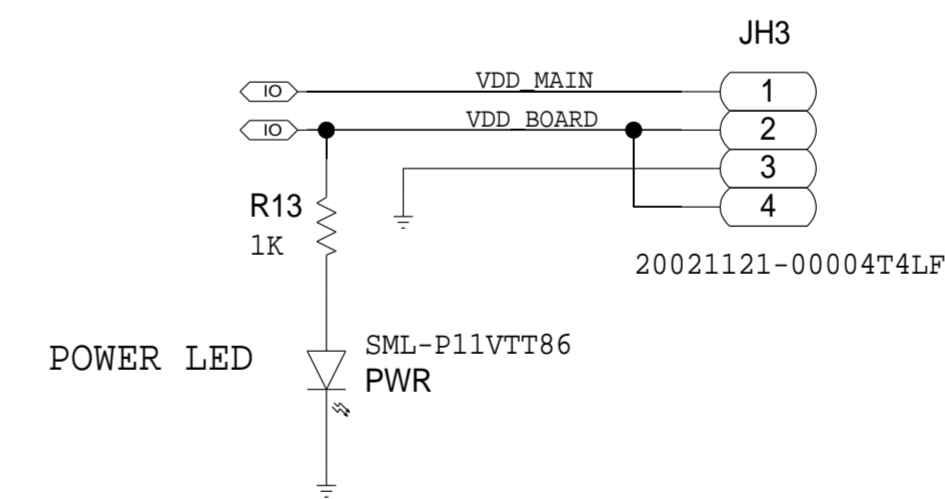
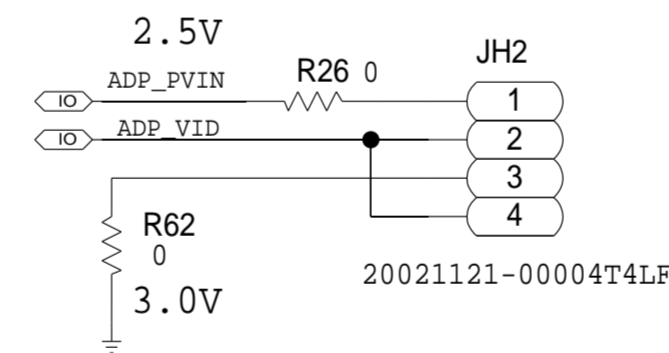


STEP DOWN REGULATOR

INSERT SHUNT
IN DEFAULT POSITION 1&2



INSERT SHUNT
IN DEFAULT POSITION 1&2

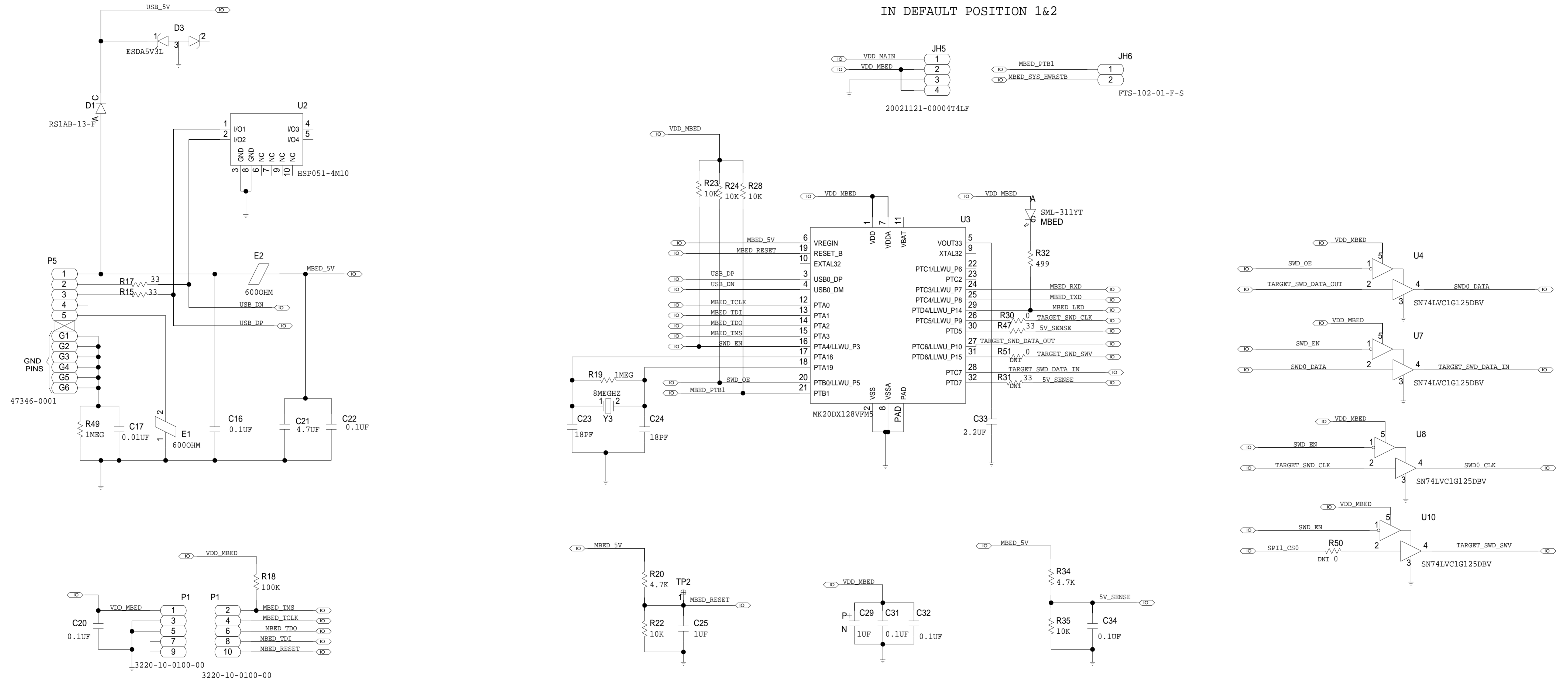


	SCHEMATIC			
	HW TYPE : Customer Evaluation			
	Product(s): ADuCM4050 : ADuCM3029			
	DESIGN VIEW <DESIGN_VIEW>	DRAWING NO. 02_047385	REV A	
PTD ENGINEER N. KAMATH	SIZE D	SCALE 1:1	SHEET 5 OF 6	

REVISIONS			
REV	DESCRIPTION	DATE	APPROVED

MBED DEBUGGER

INSERT SHUNT
IN DEFAULT POSITION 1&2



	SCHEMATIC		
	HW TYPE : Customer Evaluation Product(s) : ADuCM4050 : ADuCM3029		
	DESIGN VIEW <DESIGN_VIEW>	DRAWING NO. 02_047385	REV A
PTD ENGINEER N. KAMATH	SIZE D	SCALE 1:1	SHEET 6 OF 6