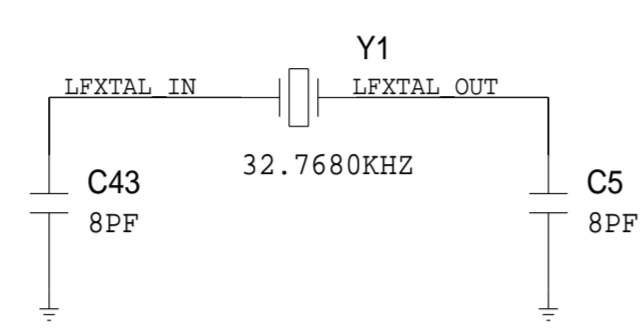


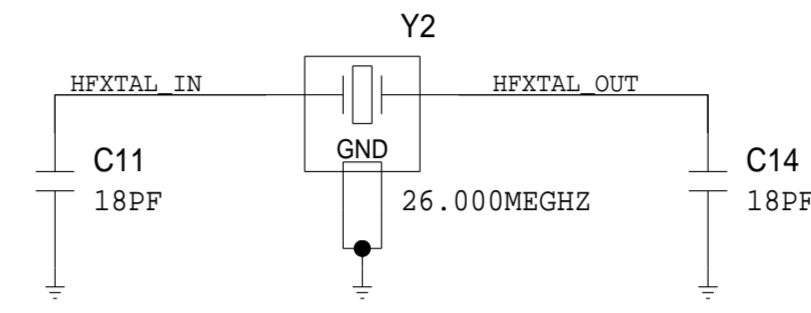
REVISIONS			
REV	DESCRIPTION	DATE	APPROVED

ULP SOC

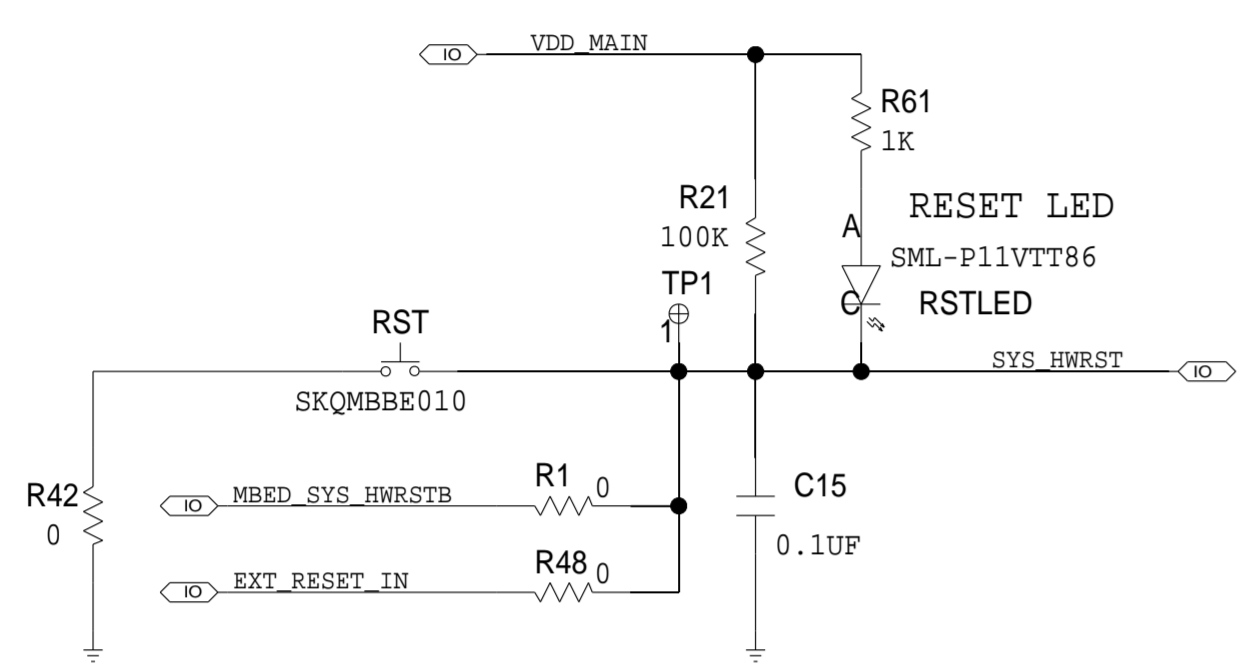
LFCLK CRYSTAL



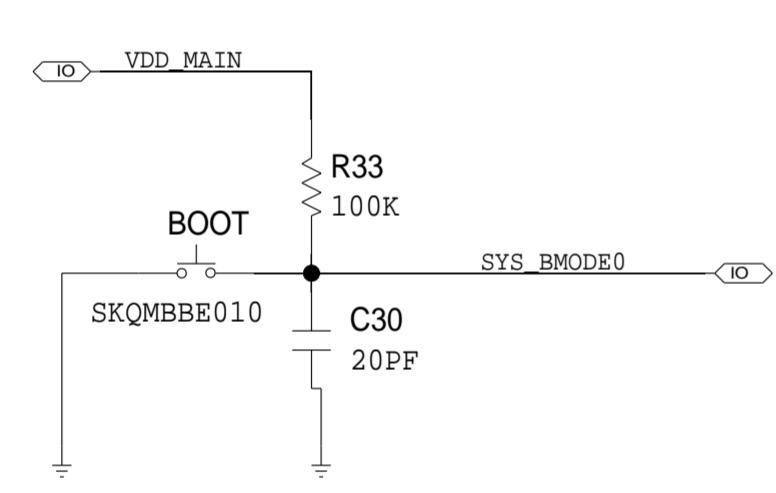
HFCLK CRYSTAL



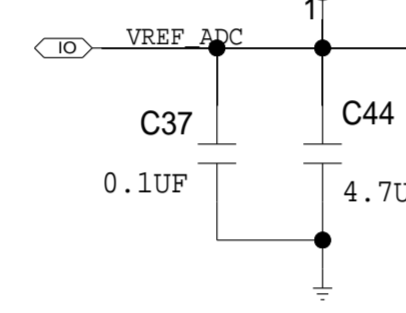
RESET



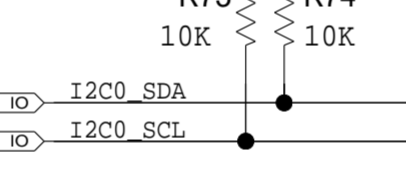
BOOT BUTTON



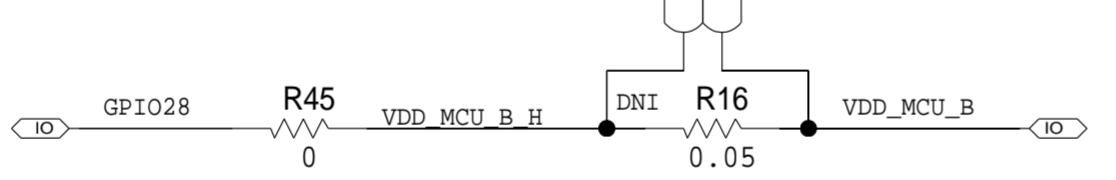
TP6



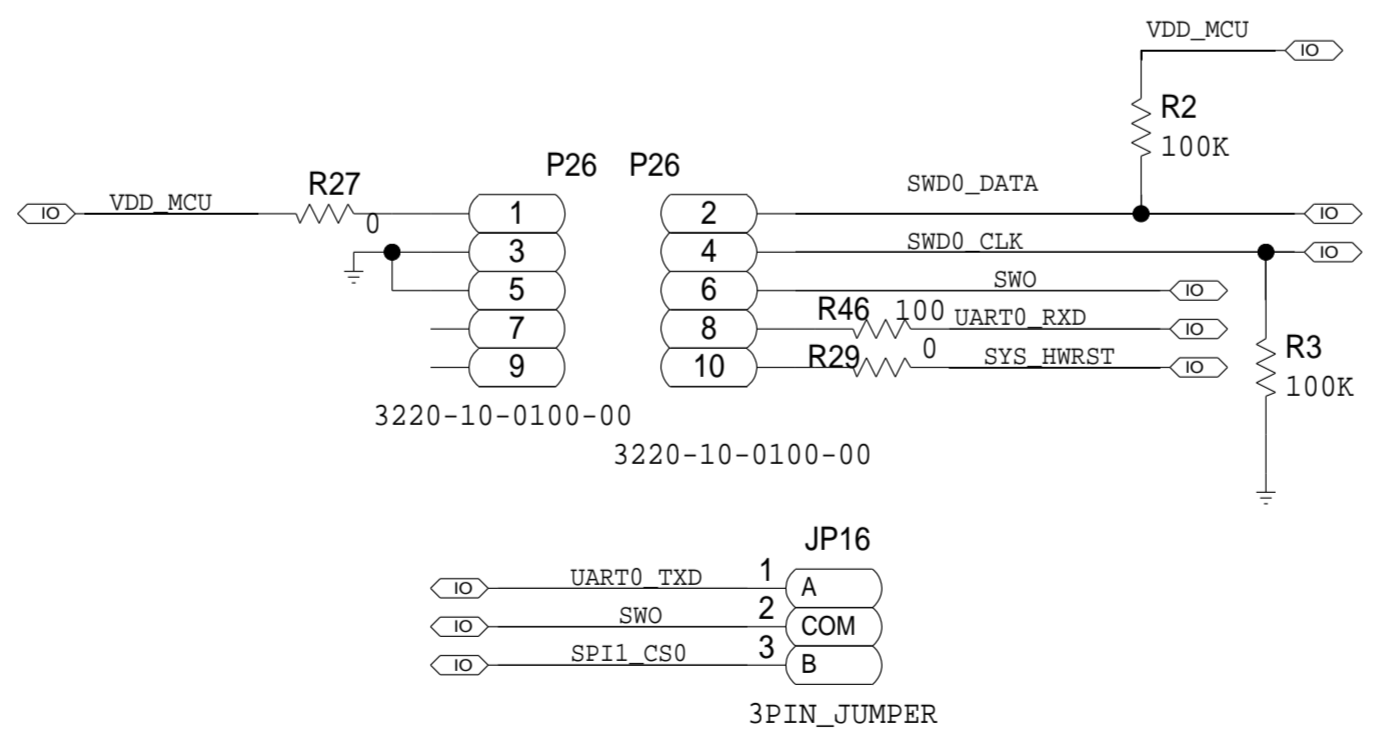
R73 R74



TH5

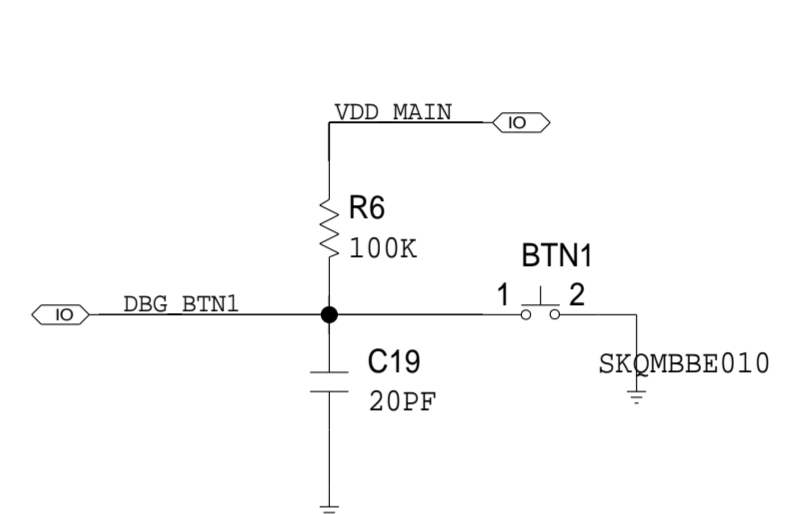


SWD JLINK HEADER

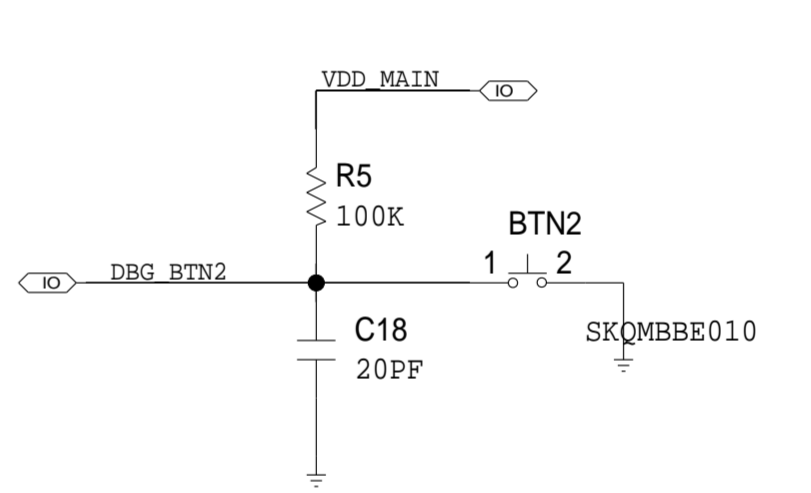


USE ZERO RESISTORS
IN DEFAULT POSITION A

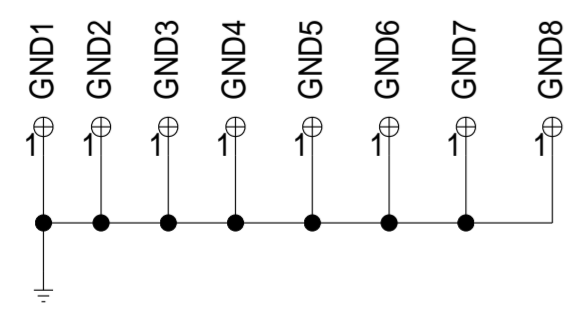
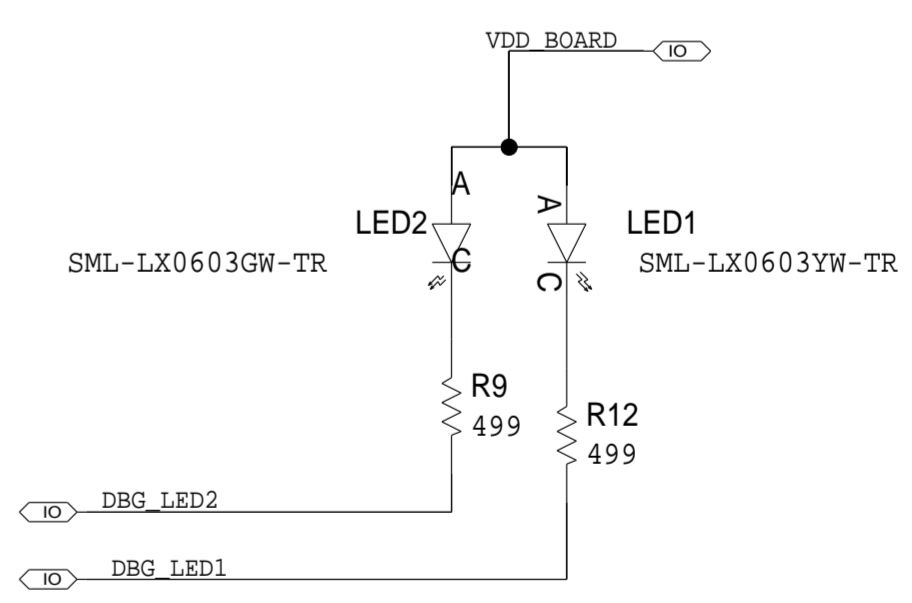
DEBUG BUTTON #1



DEBUG BUTTON #2



DEBUG LED #1 & #2



SCHEMATIC			
HW TYPE : Faststart IOT Tile		DRAWING NO. 02_047034	
Product(s) : ADuCM302x : ADuCM4x50		REV C	REV
DESIGN VIEW <DESIGN_VIEW>	PTD ENGINEER N. KAMATH	SIZE D	SCALE 1:1
SHEET 2 OF 6		REV C	

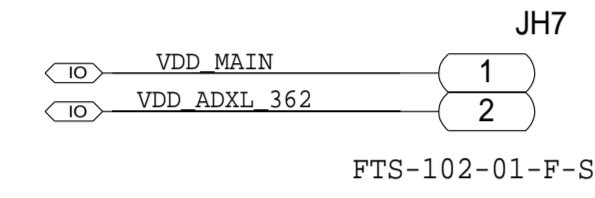
ANALOG DEVICES
THIS DRAWING IS THE PROPERTY OF ANALOG DEVICES INC. IT IS NOT TO BE REPRODUCED OR COPIED, IN WHOLE OR IN PART, OR USED IN ANY MANNER THAT IS DEEMED TO BE IN THE INTERESTS OF ANALOG DEVICES. THE EQUIPMENT SHOWN HEREON MAY BE PROTECTED BY PATENTS OWNED OR CONTROLLED BY ANALOG DEVICES.

REVISIONS			
REV	DESCRIPTION	DATE	APPROVED

SENSORS AND CONNECTIVITY

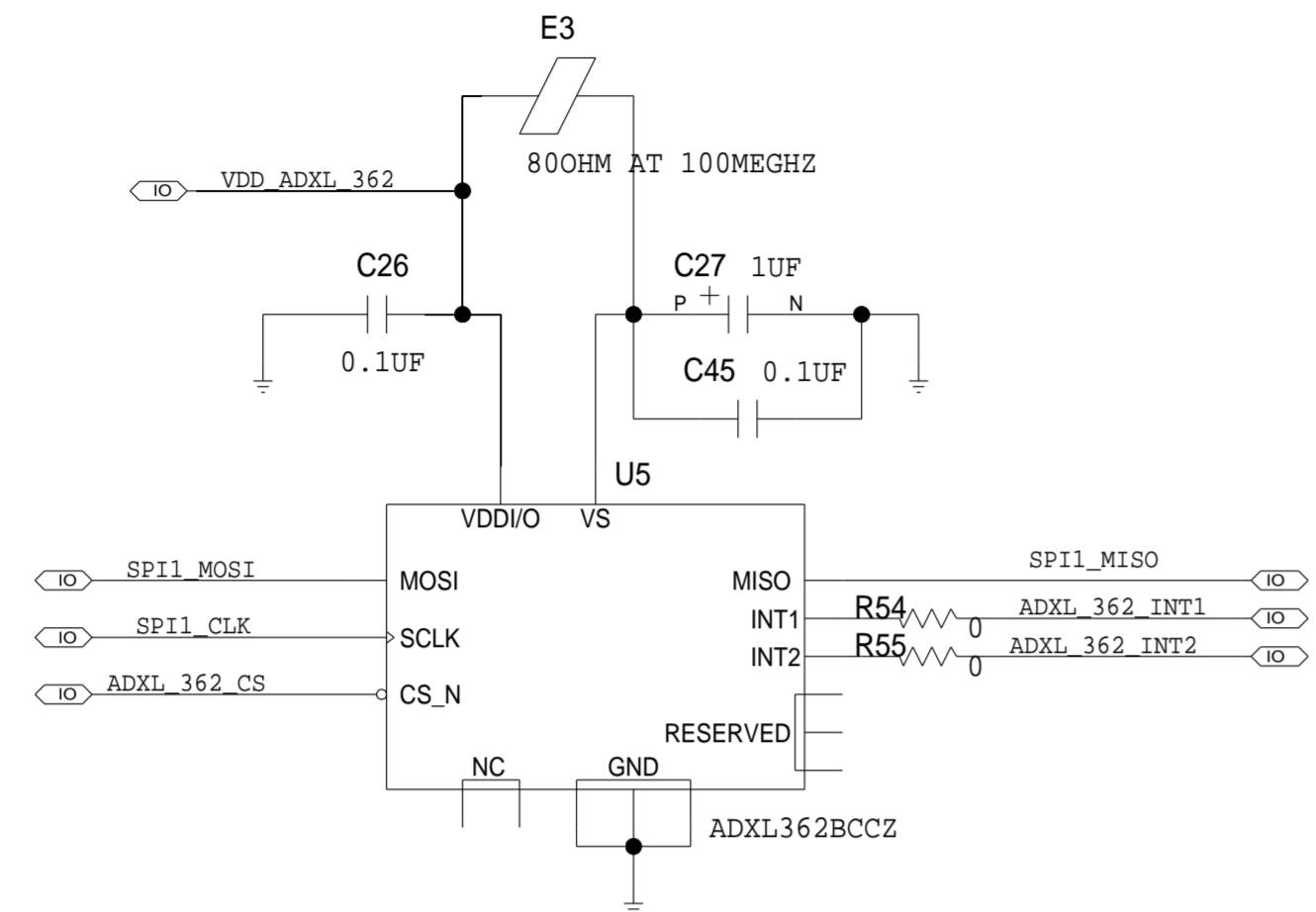
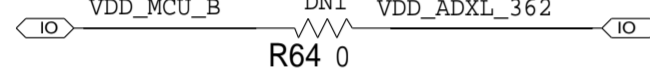
ACCELEROMETER - ADXL362

INSERT SHUNT
IN DEFAULT POSITION 1&2

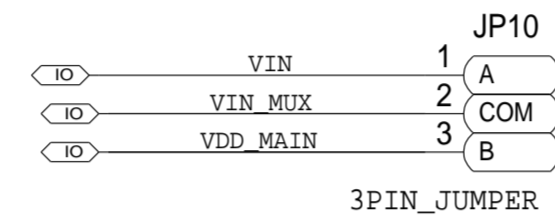


JH7
FTS-102-01-F-S

REMOVE SHUNT AT JH7
IF SHORTING R64 BELOW

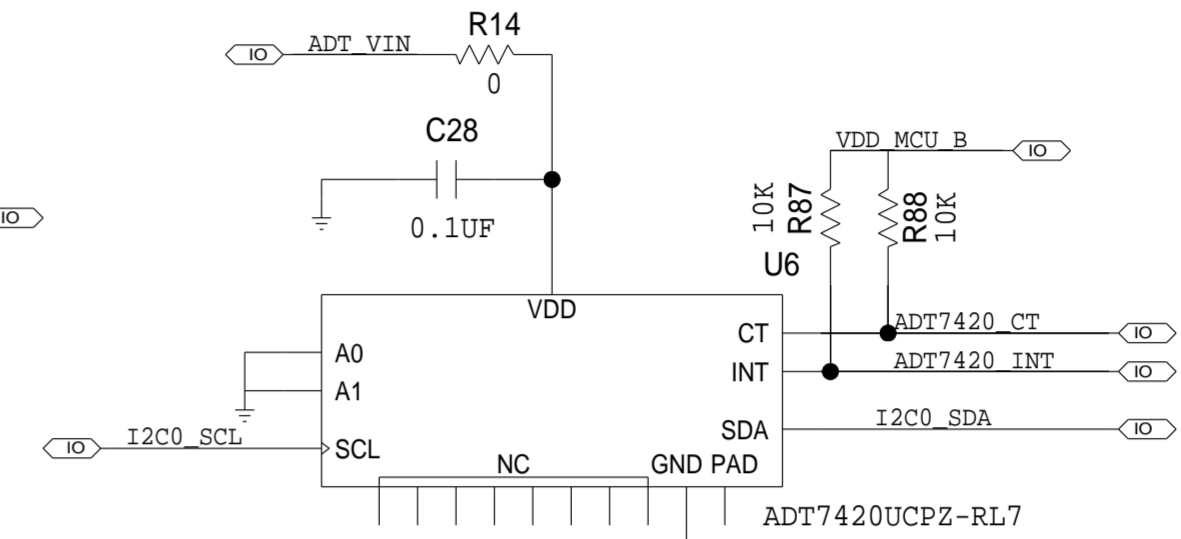
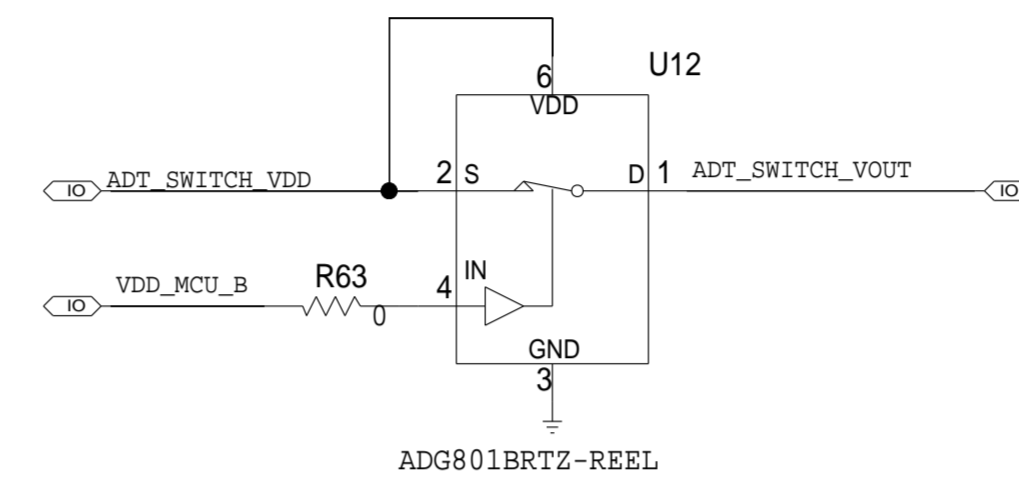


USE ZERO RESISTORS
IN DEFAULT POSITION A

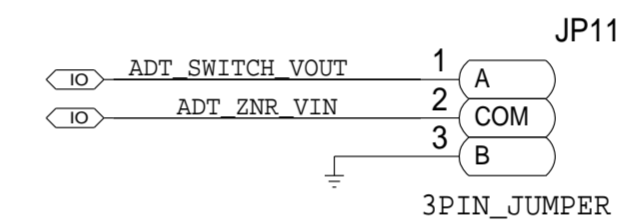


JH8
FTS-102-01-F-S

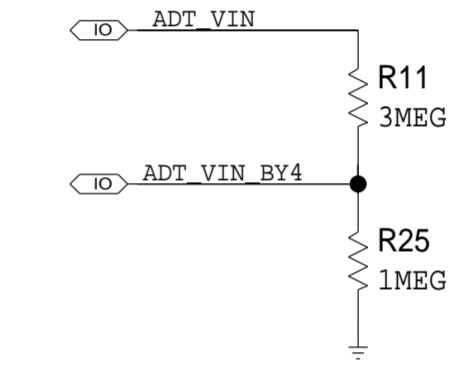
TEMPERATURE - ADT7420



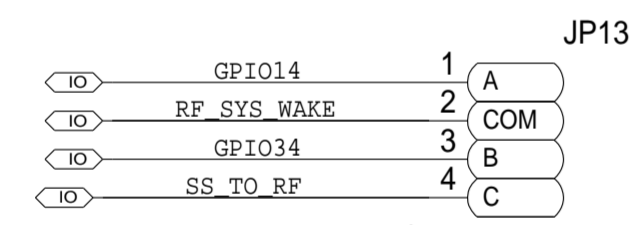
USE ZERO RESISTORS
IN DEFAULT POSITION A



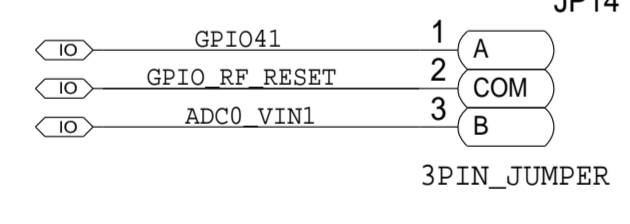
JP12
3PIN_JUMPER



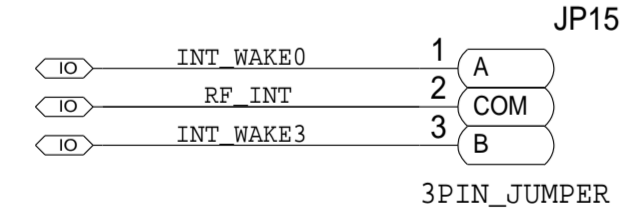
USE ZERO RESISTORS
IN DEFAULT POSITION A



JP13
4PIN_JUMPER

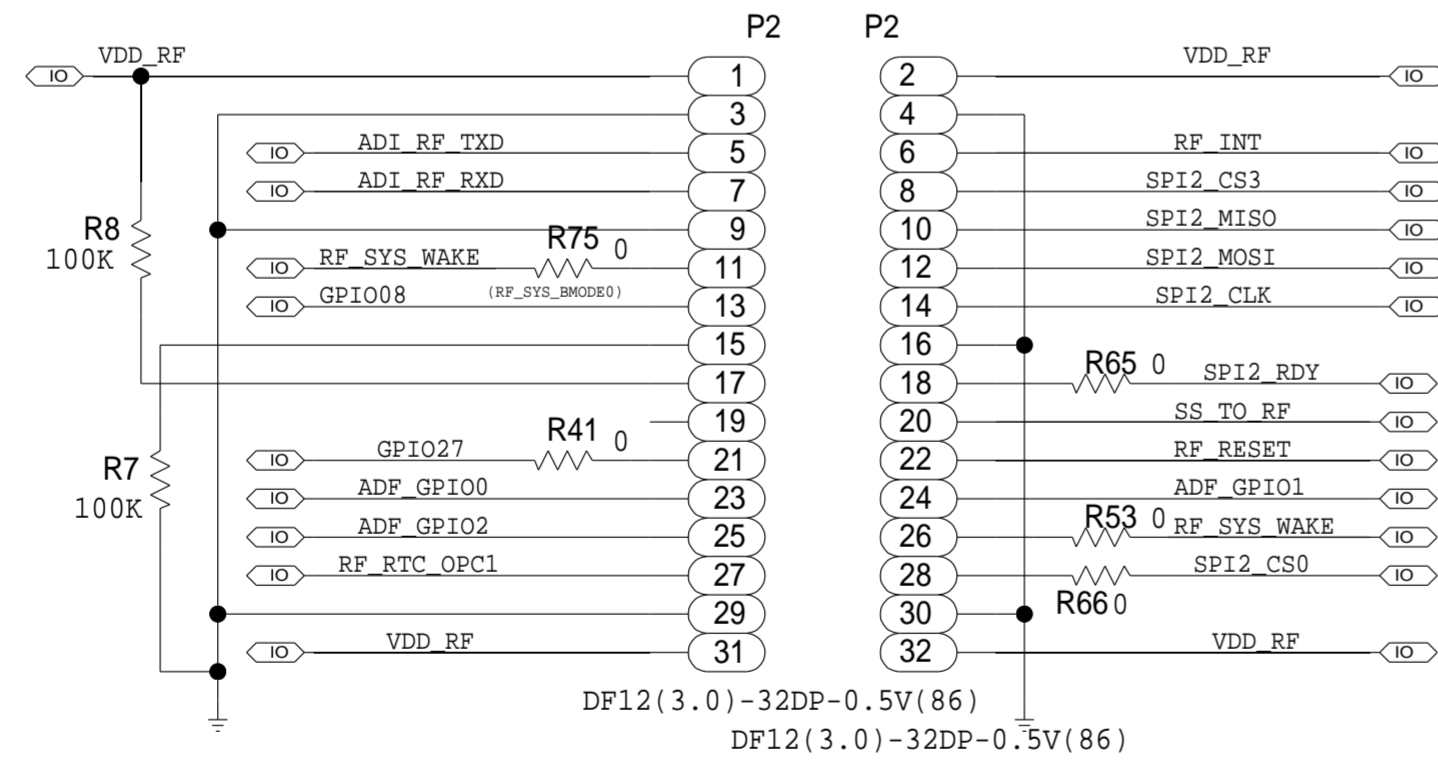


JP14
3PIN_JUMPER

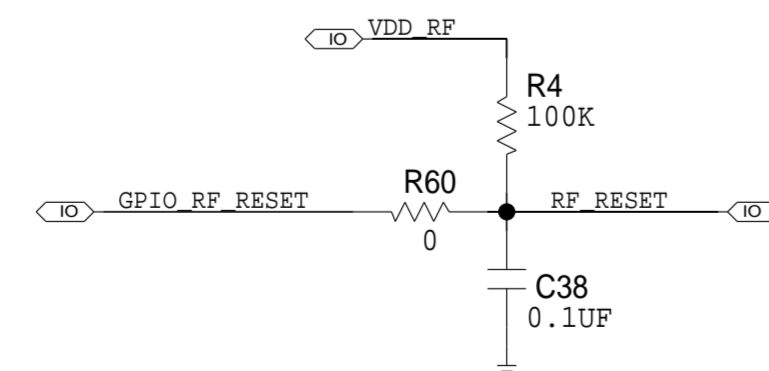
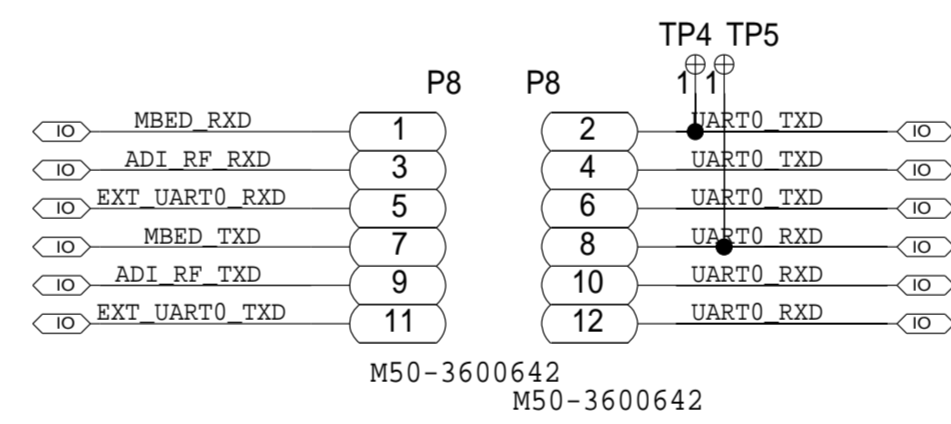


JP15
3PIN_JUMPER

ADI RF MODULE



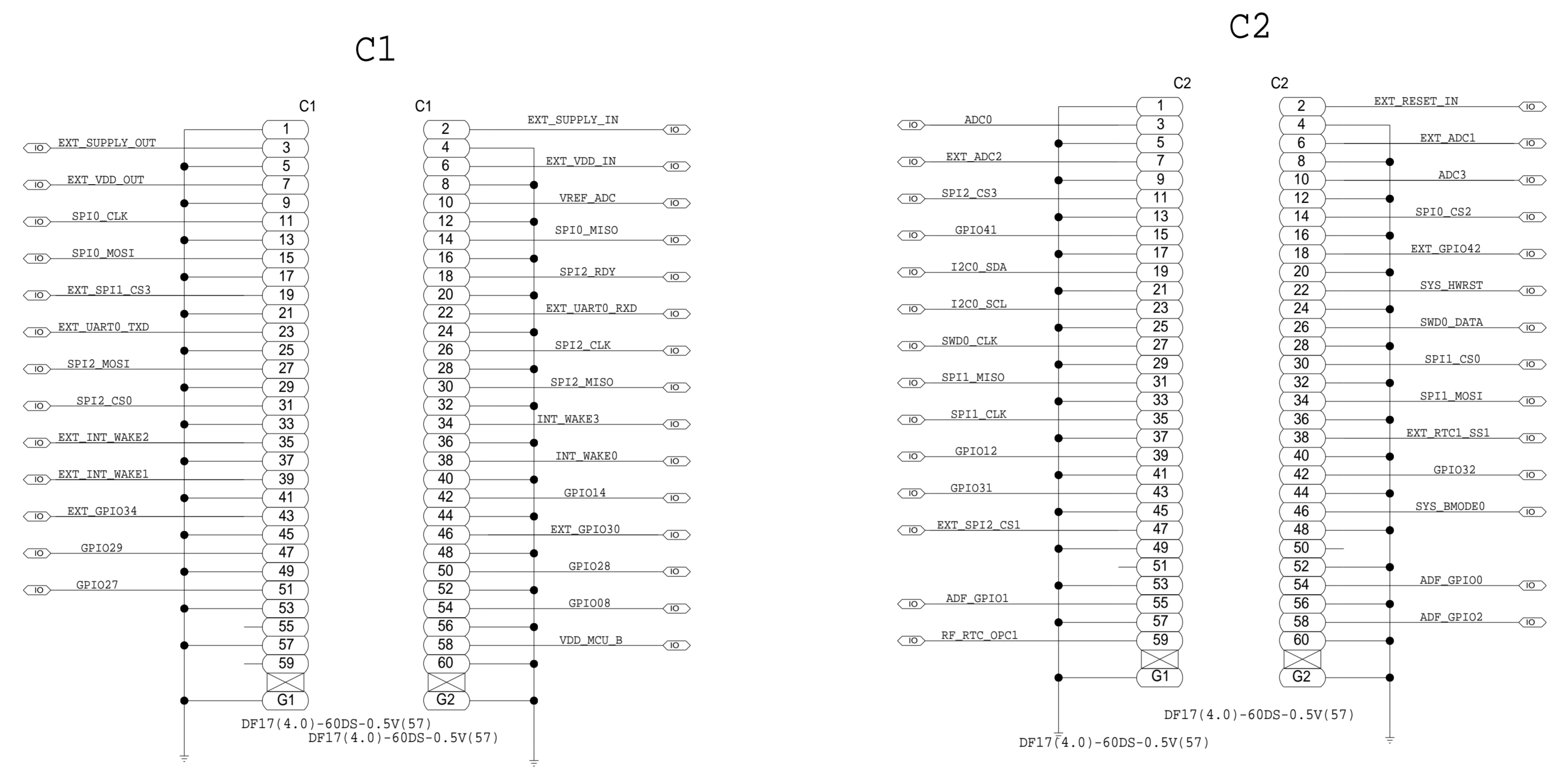
UART HEADER



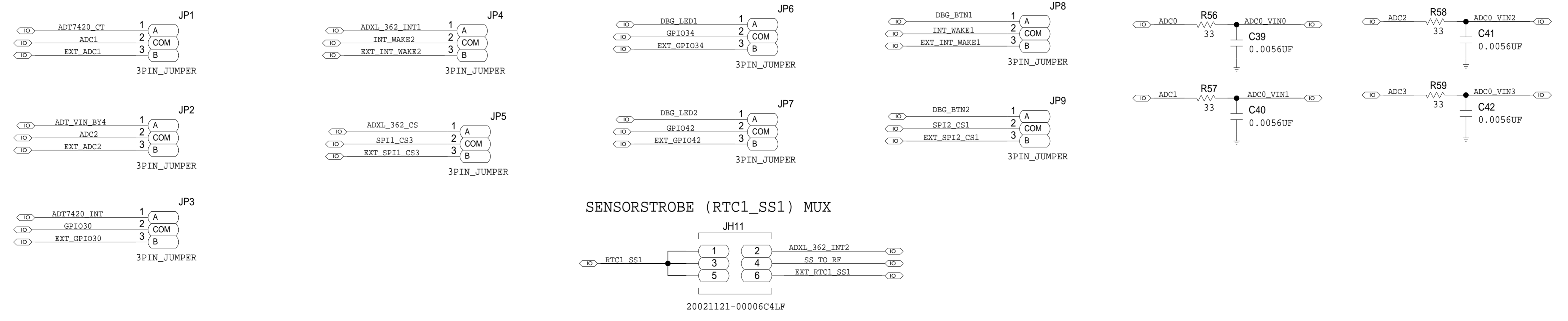
ANALOG DEVICES		SCHEMATIC			
<small>THIS DRAWING IS THE PROPERTY OF ANALOG DEVICES INC. IT IS NOT TO BE REPRODUCED OR COPIED, IN WHOLE OR IN PART, OR USED IN ANY MANNER THAT MIGHT BE DETRIMENTAL TO THE INTERESTS OF ANALOG DEVICES. THE EQUIPMENT SHOWN HEREIN MAY BE PROTECTED BY PATENTS OWNED OR CONTROLLED BY ANALOG DEVICES.</small>		HW TYPE : Faststart IOT Tile Product(s) : ADuCM302x : ADuCM4x50		DRAWING NO. 02_047034	REV C
		DESIGN VIEW <DESIGN_VIEW>	PTD ENGINEER N. KAMATH	SIZE D	SCALE 1:1

REVISIONS			
REV	DESCRIPTION	DATE	APPROVED

EXPANSION CONNECTORS



USE ZERO RESISTORS
IN DEFAULT POSITION A

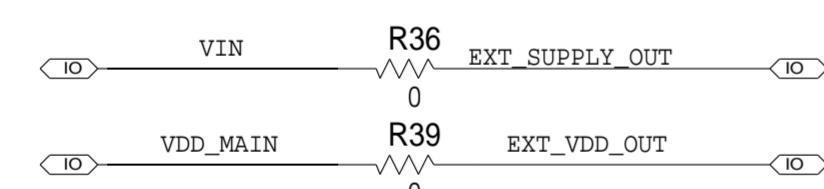
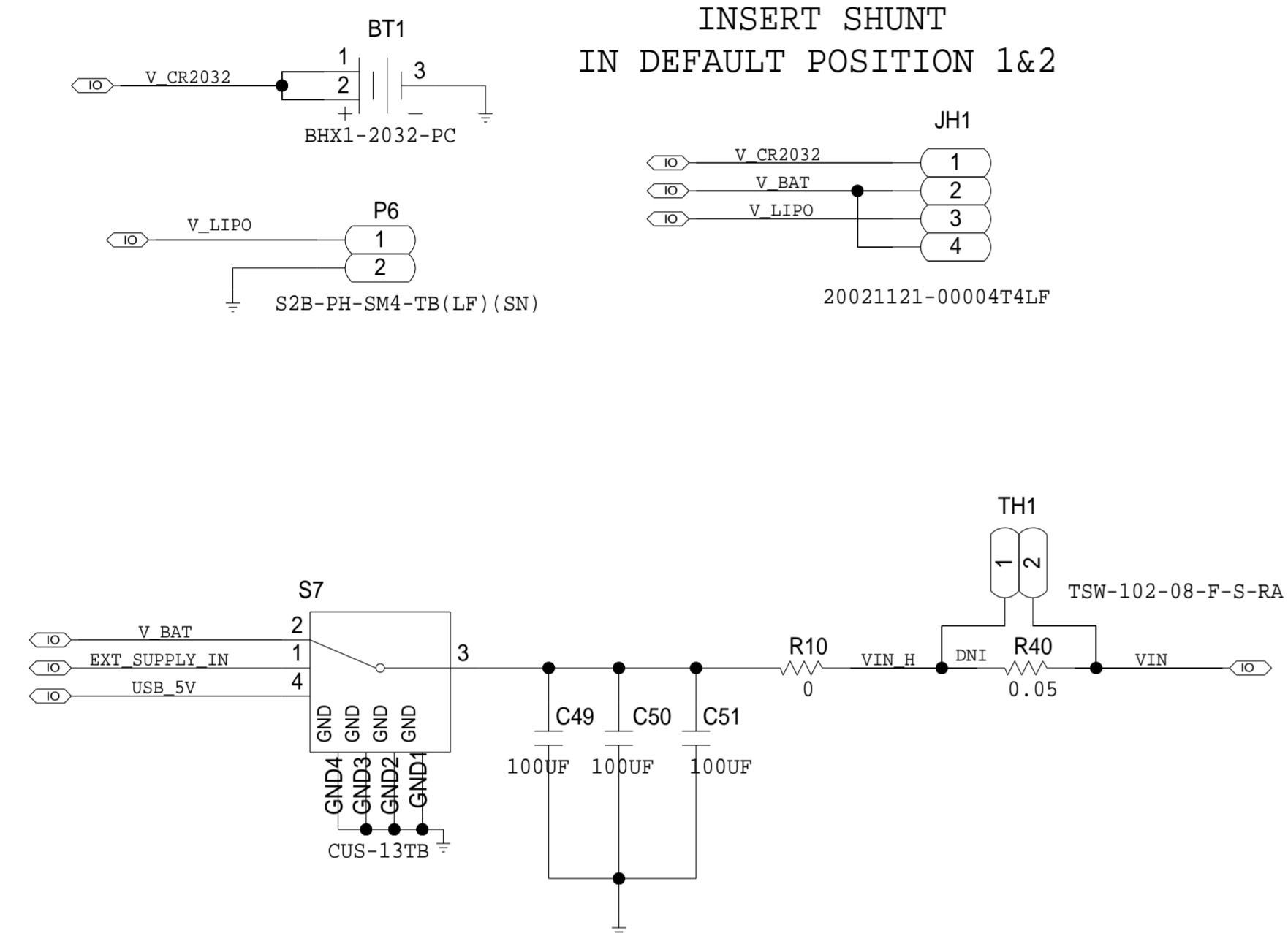


SCHEMATIC			
		HW TYPE : Faststart IOT Tile Product(s) : ADuCM302x : ADuCM4x50	
DESIGN VIEW <DESIGN_VIEW>		DRAWING NO. 02_047034	
PTD ENGINEER N. KAMATH		SIZE D	SCALE 1:1
		SHEET 4 OF 6	

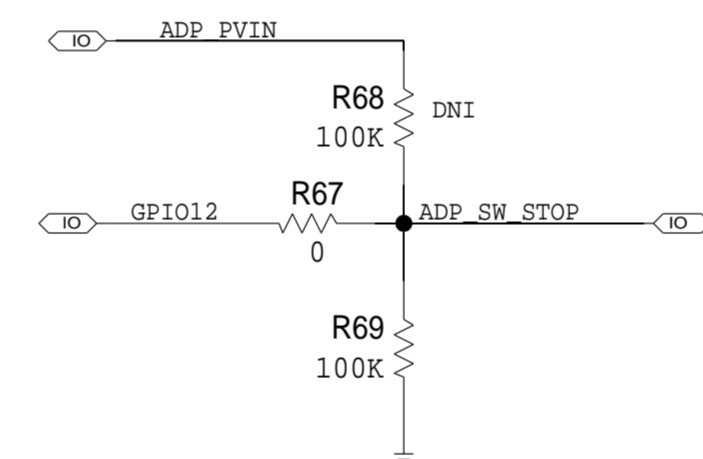
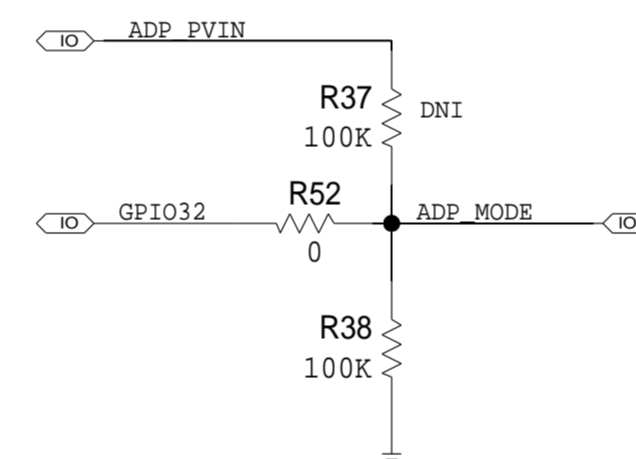
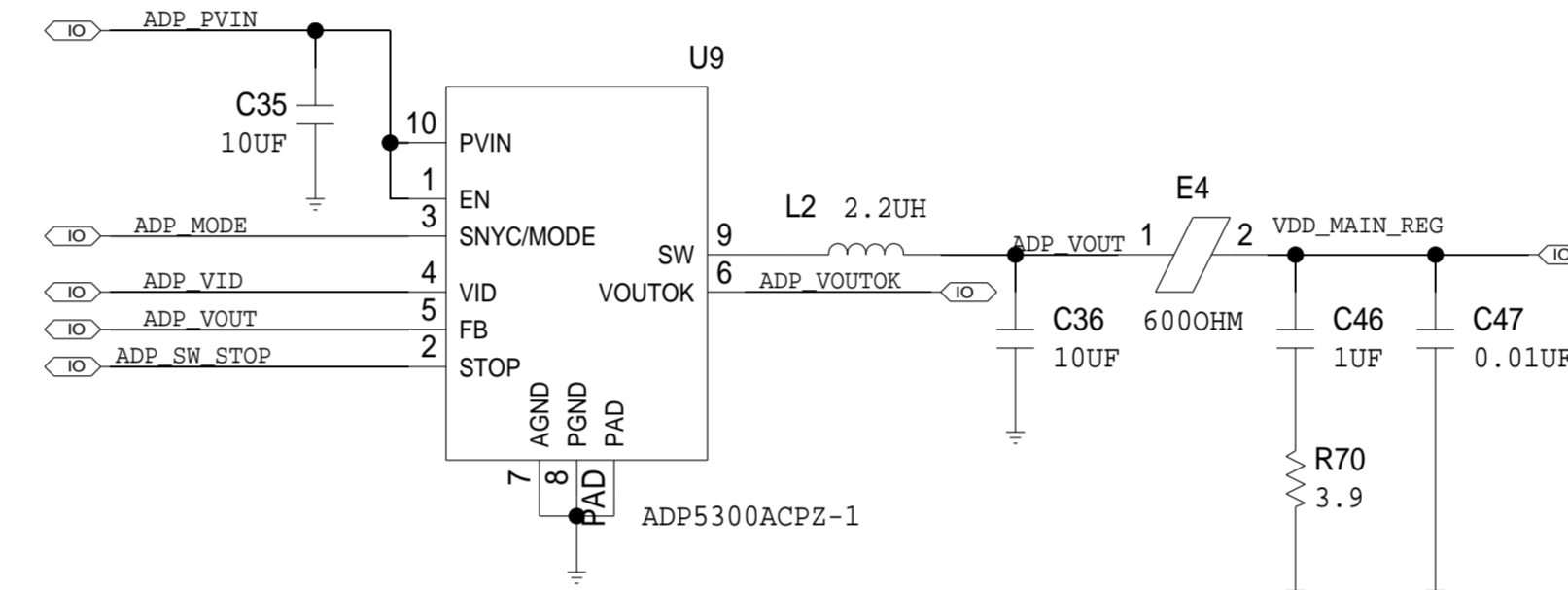
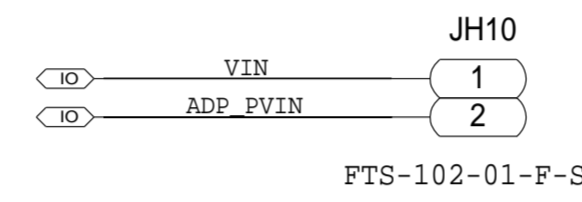
REVISIONS			
REV	DESCRIPTION	DATE	APPROVED

POWER MANAGEMENT

POWER SUPPLY OPTIONS

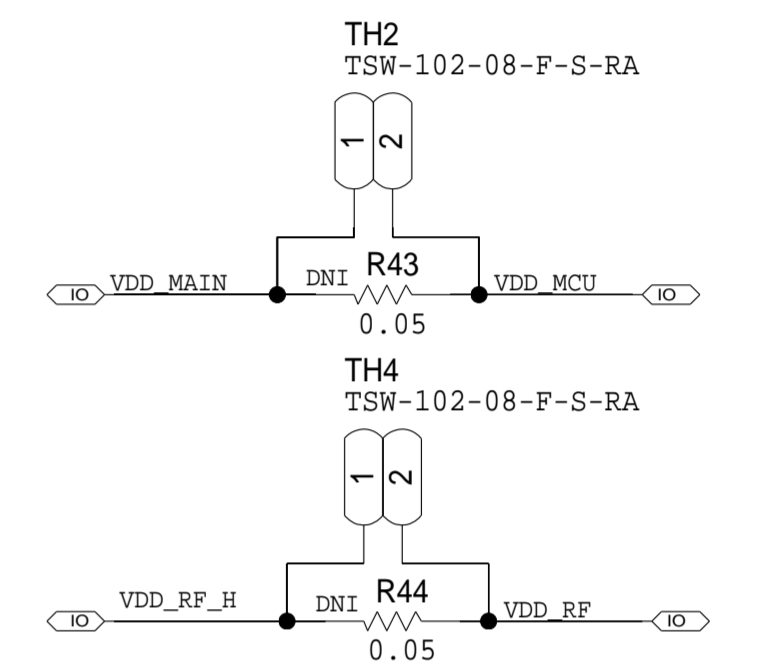
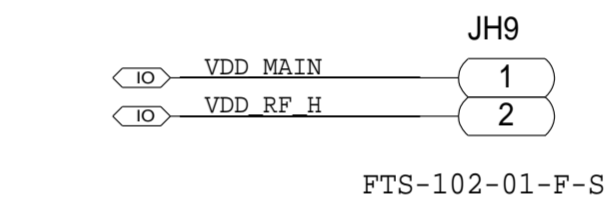
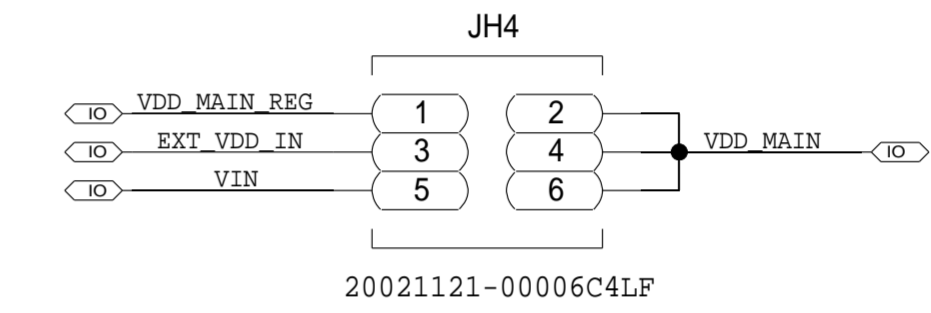


INSERT SHUNT IN DEFAULT POSITION 1&2

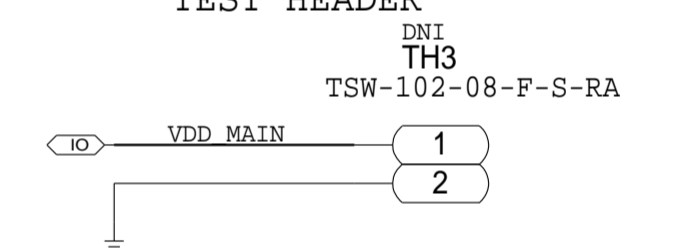


STEP DOWN REGULATOR

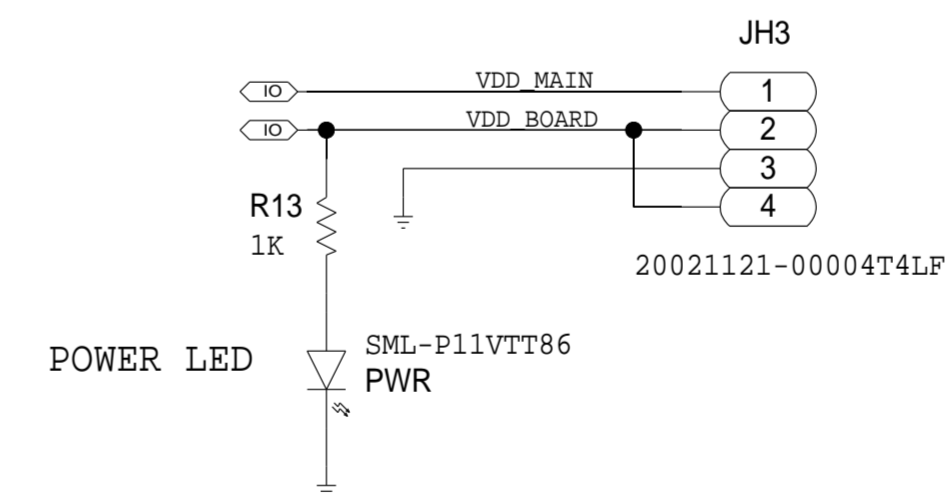
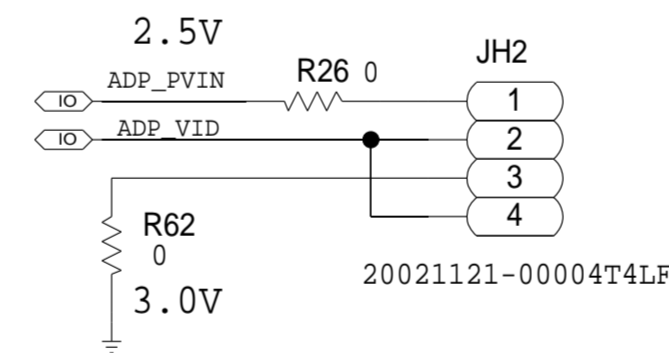
INSERT SHUNT IN DEFAULT POSITION 1&2



TEST HEADER



INSERT SHUNT IN DEFAULT POSITION 1&2

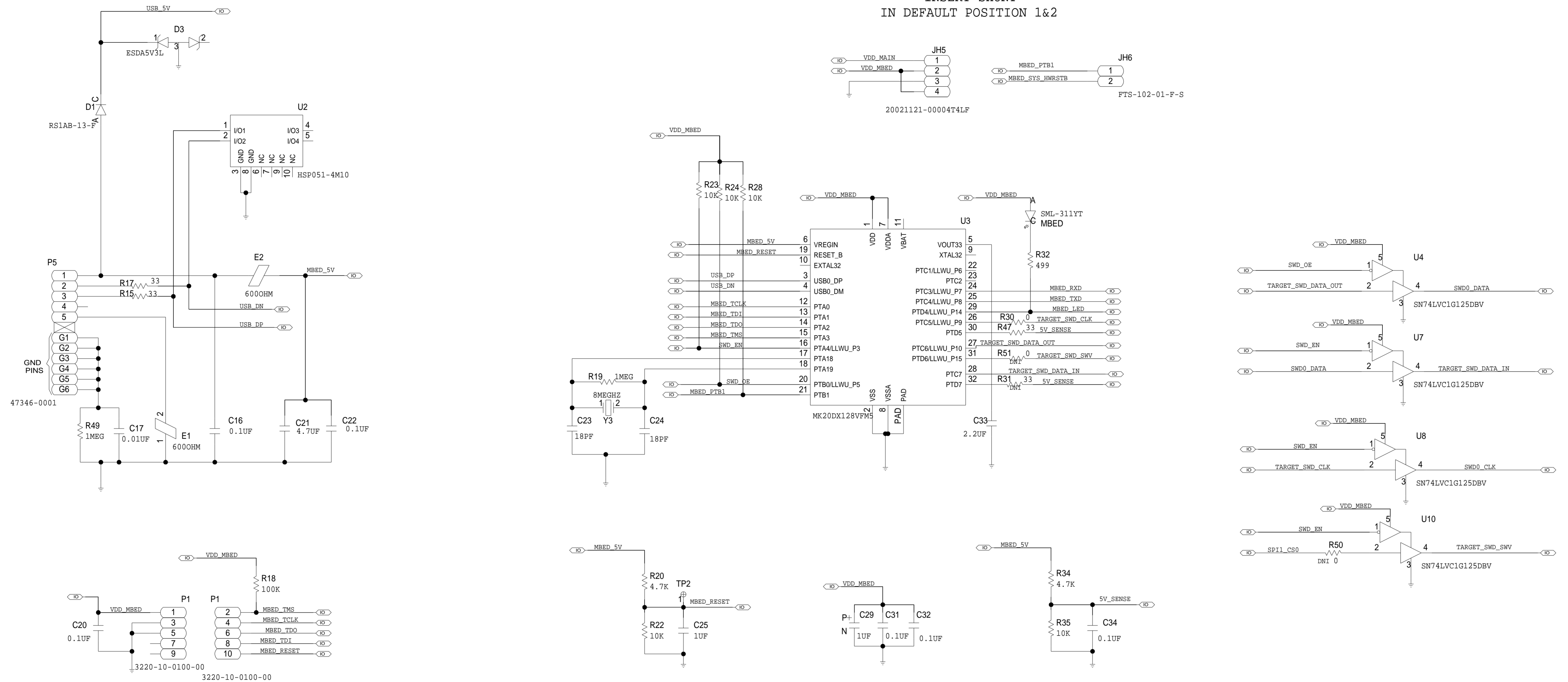


<p>THIS DRAWING IS THE PROPERTY OF ANALOG DEVICES INC. IT IS NOT TO BE REPRODUCED OR COPIED, IN WHOLE OR IN PART, OR USED IN FURNISHING INFORMATION TO OTHERS, OR FOR ANY OTHER PURPOSE DETRIMENTAL TO THE INTERESTS OF ANALOG DEVICES. THE EQUIPMENT SHOWN HEREON MAY BE PROTECTED BY PATENTS OWNED OR CONTROLLED BY ANALOG DEVICES.</p>	SCHEMATIC		
	HW TYPE : Faststart IOT Tile Product(s) : ADuCM302x : ADuCM4x50		
	DESIGN VIEW <DESIGN_VIEW>	DRAWING NO. 02_047034	REV C
	PTD ENGINEER N. KAMATH	SIZE D	SCALE 1:1
		SHEET 5 OF 6	

REVISIONS			
REV	DESCRIPTION	DATE	APPROVED

MBED DEBUGGER

INSERT SHUNT
IN DEFAULT POSITION 1&2



	SCHEMATIC		
	HW TYPE : Faststart IOT Tile Product(s) : ADuCM302x : ADuCM4x50		
	DESIGN VIEW <DESIGN_VIEW>	DRAWING NO. 02_047034	REV C
	PTD ENGINEER N. KAMATH	SIZE D	SCALE 1:1
SHEET 6 OF 6			