

THIS DRAWING IS THE PROPERTY OF ANALOG DEVICES INC. IT IS NOT TO BE REPRODUCED OR COPIED, IN WHOLE OR IN PART, OR USED IN FURNISHING INFORMATION TO OTHERS, OR FOR ANY OTHER PURPOSE DETRIMENTAL TO THE INTERESTS OF ANALOG DEVICES. THE EQUIPMENT SHOWN HEREON MAY BE PROTECTED BY PATENTS OWNED OR CONTROLLED BY ANALOG DEVICES.

RELAY CONTROL CHART

CONTROL	CODE	DEVICE	FUNCTION	CONNECTOR

JUMPER TABLE		
JP#	ON	OFF
1		
2		
3		
4		
5		

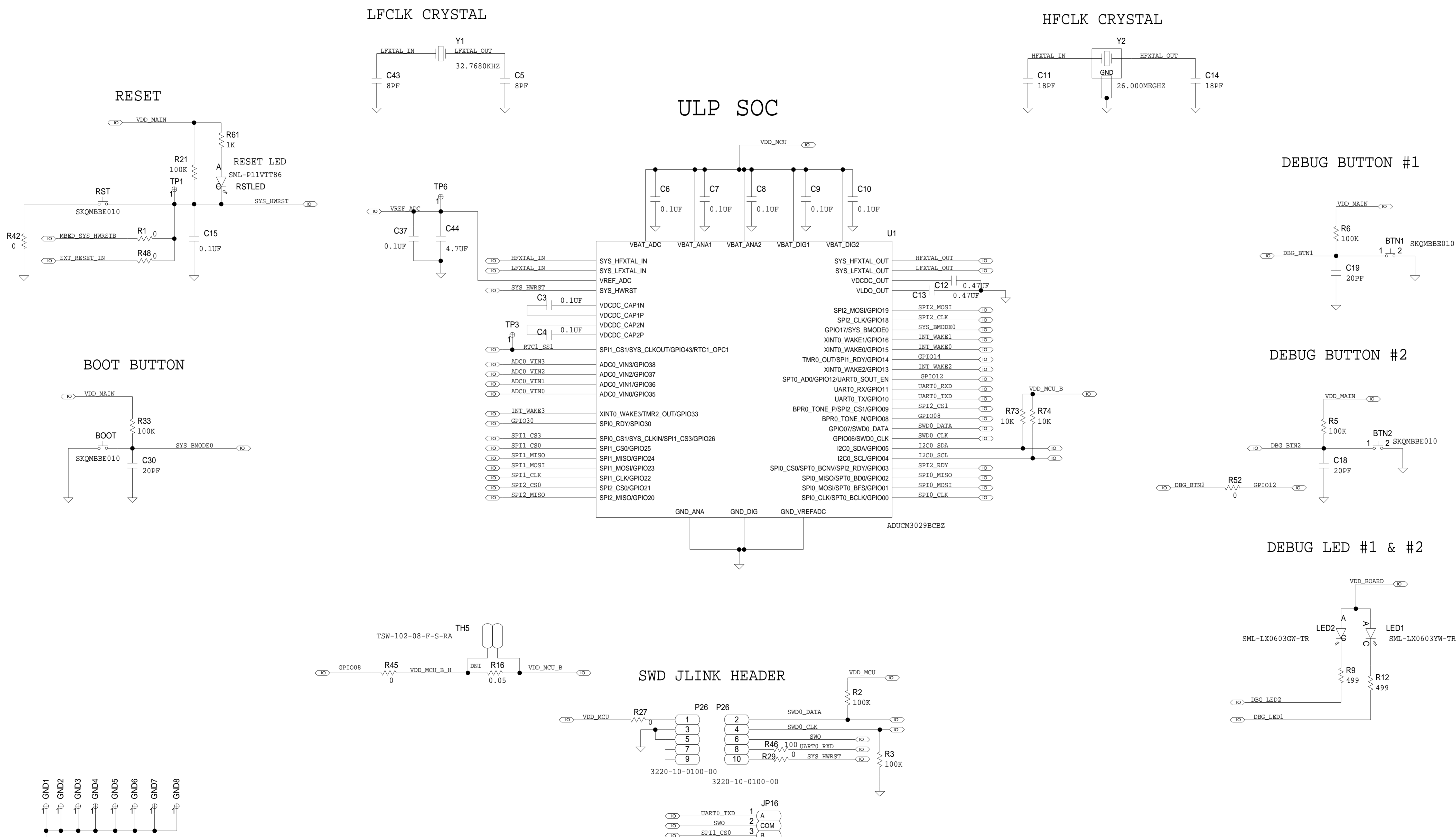
* SEE ASSEMBLY INSTRUCTIONS

REVISIONS			
REV	DESCRIPTION	DATE	APPROVED
A	INITIAL RELEASE	17APR18	K.ABHISHEK

TEMPLATE ENGINEER N/A	DATE 17APR18	<h2 style="text-align: center;">SCHEMATIC</h2>													
HARDWARE SERVICES M. JOSE	17APR18		HW TYPE : Customer Evaluation												
HARDWARE SYSTEMS N/A			Product(s) : ADuCM4050												
TEST ENGINEER N/A			: ADuCM3029												
COMPONENT ENGINEER A. CAUILAN-AGENA	17APR18		PACKAGE : N/A-lead N/A N/A-family												
TEST PROCESS N/A			: Pitch-pitch StyleVendor Style												
HARDWARE RELEASE K. JABATAN	17APR18	-													
		-													
DESIGNER J. LEANO	17APR18	MASTER PROJECT TEMPLATE TBD	TESTER TEMPLATE no_template	DRAWING NO. 02_049050	REV. A										
PTD ENGINEER K. ABHISHEK	17APR18	UNLESS OTHERWISE SPECIFIED DIMENSIONS ARE IN INCHES													
CHECKER K. ABHISHEK	17APR18	<table border="0"> <tr> <th colspan="3">TOLERANCES</th> </tr> <tr> <td>DECIMALS X.XX +0.010 X.XXX +0.005</td> <td>FRACTIONS +1/32</td> <td>ANGLES +2</td> </tr> </table>			TOLERANCES			DECIMALS X.XX +0.010 X.XXX +0.005	FRACTIONS +1/32	ANGLES +2	<table border="0"> <tr> <td>SIZE D</td> <td>SCALE 1:1</td> <td>CODE ID NO. CodeID</td> <td>SHEET 1 OF 6</td> </tr> </table>	SIZE D	SCALE 1:1	CODE ID NO. CodeID	SHEET 1 OF 6
TOLERANCES															
DECIMALS X.XX +0.010 X.XXX +0.005	FRACTIONS +1/32	ANGLES +2													
SIZE D	SCALE 1:1	CODE ID NO. CodeID	SHEET 1 OF 6												

P.O SPEC.	BK/BD SPEC.	SOCKET OEM	OEM PART#	HANDLER

REVISIONS			
REV	DESCRIPTION	DATE	APPROVED



SWD JLINK HEADER

USE ZERO RESISTORS
IN DEFAULT POSITION A

SCHEMATIC			
HW TYPE : Customer Evaluation		Product(s) : ADUCM4050 : ADUCM3029	
DESIGN VIEW <DESIGN_VIEW>	DRAWING NO. 02_049050	REV A	
PTD ENGINEER K. ABHISHEK	SIZE D	SCALE 1:1	SHEET 2 OF 6

ANALOG DEVICES

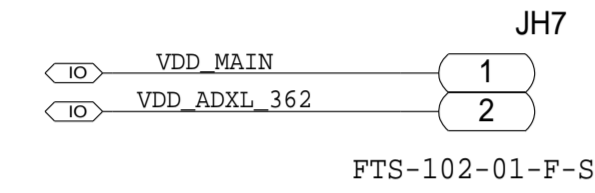
THIS DRAWING IS THE PROPERTY OF ANALOG DEVICES INC. IT IS NOT TO BE REPRODUCED OR COPIED, IN WHOLE OR IN PART, OR USED IN FURNISHING INFORMATION TO OTHERS, OR FOR ANY OTHER PURPOSE DETRIMENTAL TO THE INTERESTS OF ANALOG DEVICES. THE EQUIPMENT SHOWN HEREIN MAY BE PROTECTED BY PATENTS OWNED OR CONTROLLED BY ANALOG DEVICES.

REVISIONS			
REV	DESCRIPTION	DATE	APPROVED

SENSORS AND CONNECTIVITY

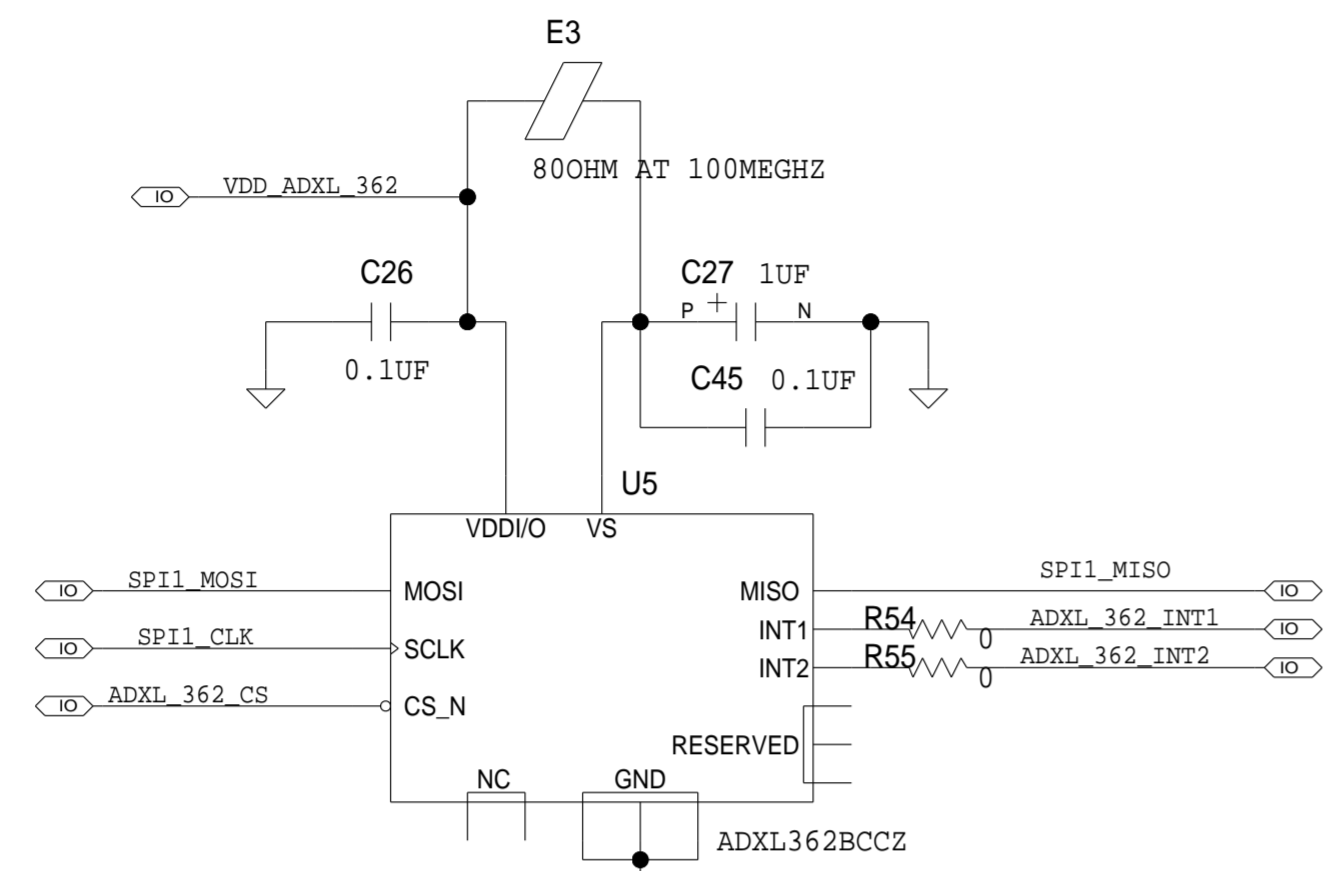
ACCELEROMETER - ADXL362

INSERT SHUNT
IN DEFAULT POSITION 1&2

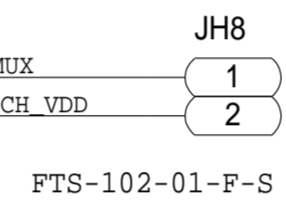
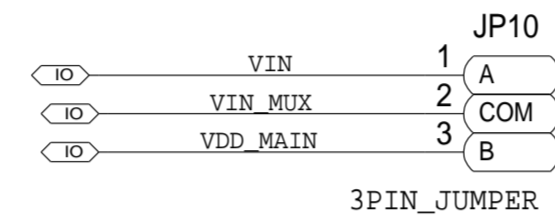


FTS-102-01-F-S

REMOVE SHUNT AT JH7
IF SHORTING R64 BELOW

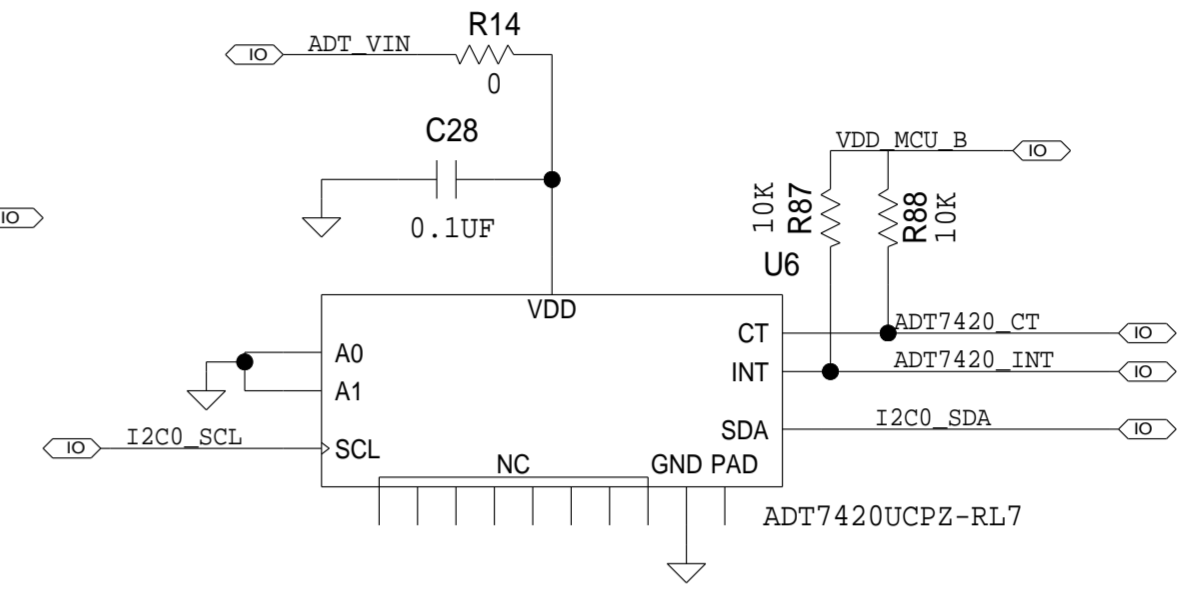
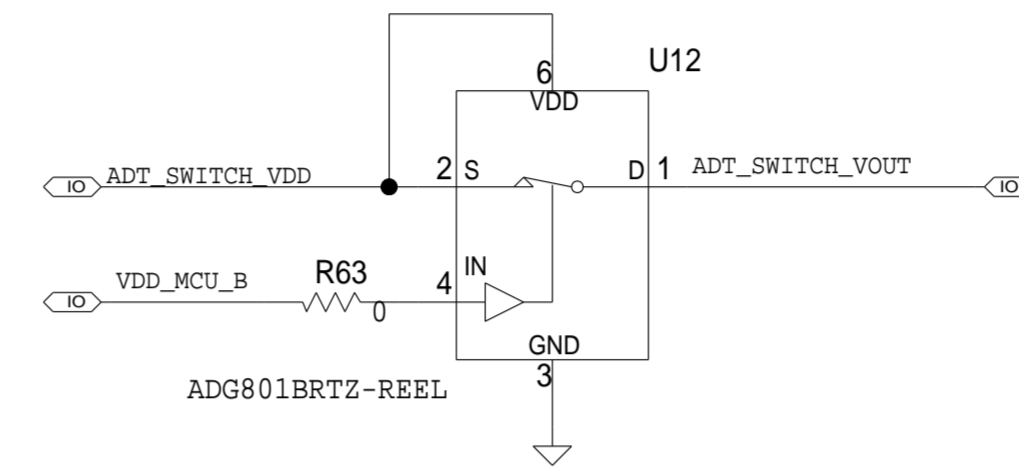


USE ZERO RESISTORS
IN DEFAULT POSITION A

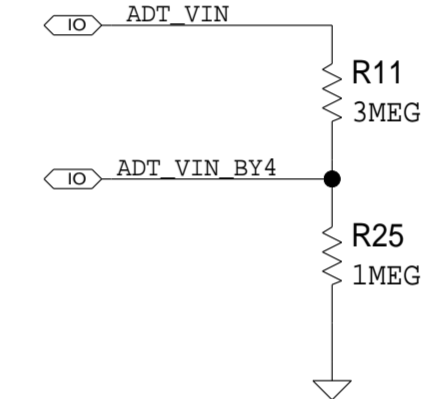
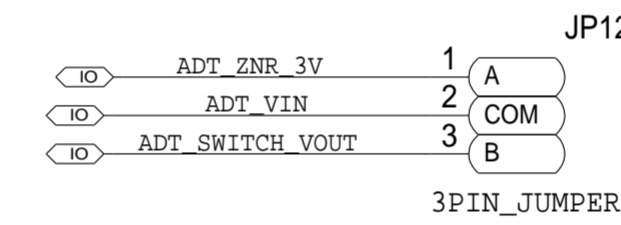
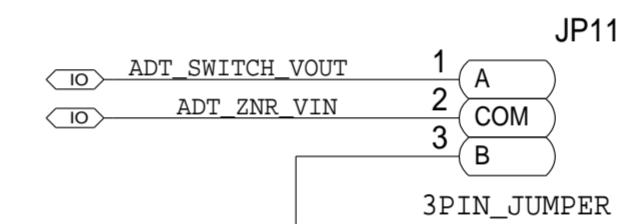


FTS-102-01-F-S

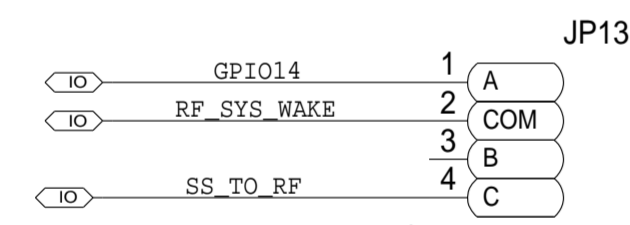
TEMPERATURE - ADT7420



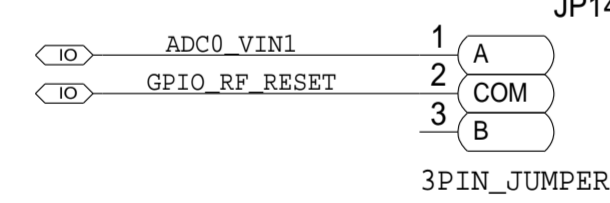
USE ZERO RESISTORS
IN DEFAULT POSITION A



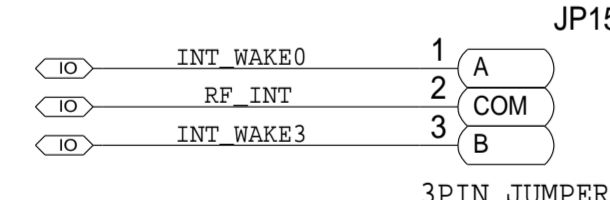
USE ZERO RESISTORS
IN DEFAULT POSITION A



4PIN_JUMPER

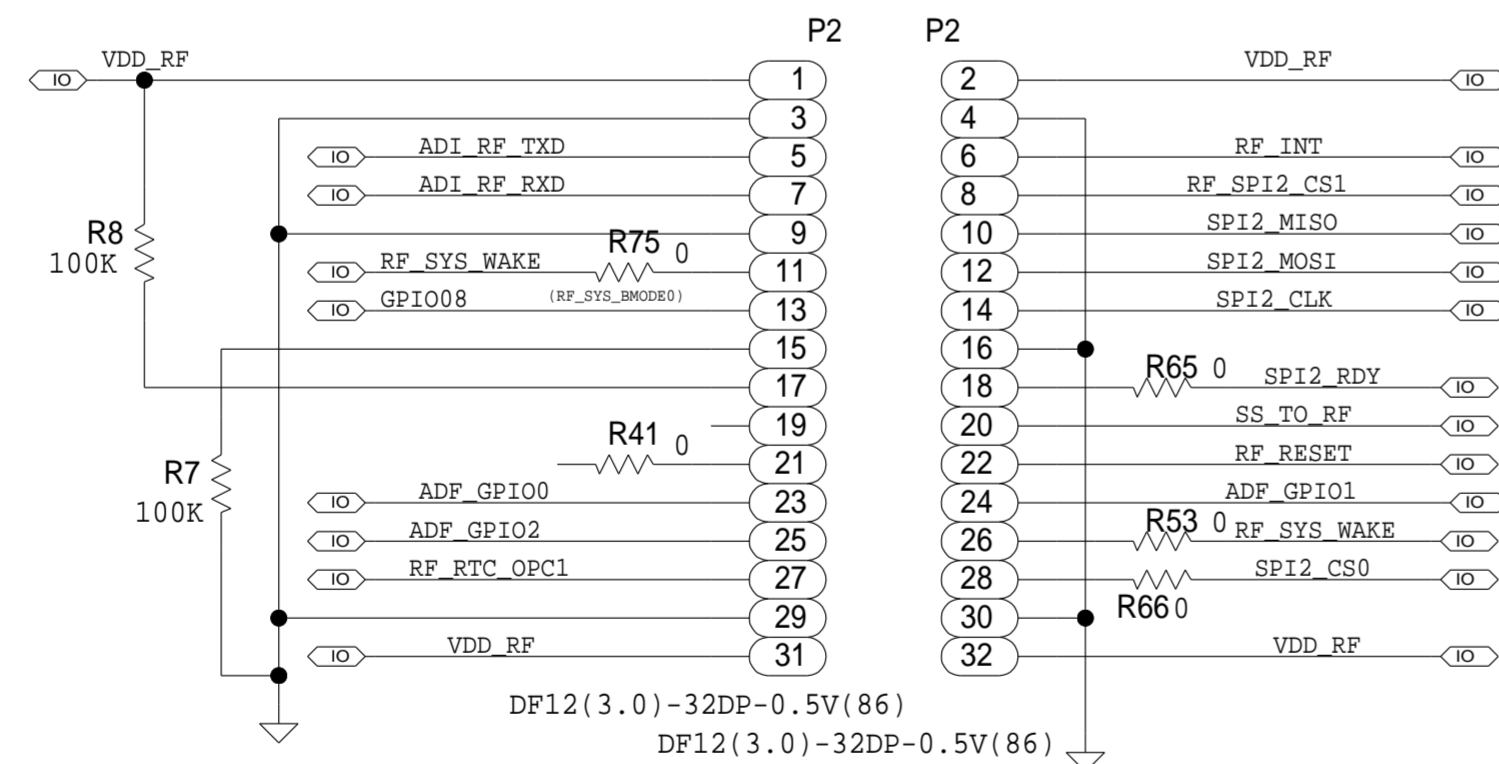


3PIN_JUMPER



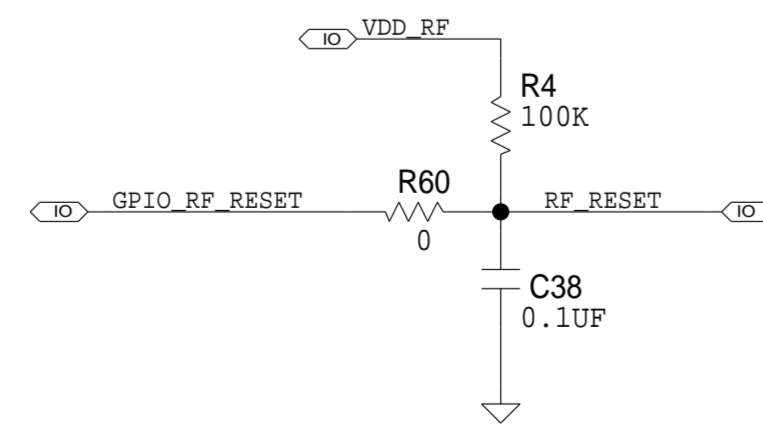
3PIN_JUMPER

ADI RF MODULE

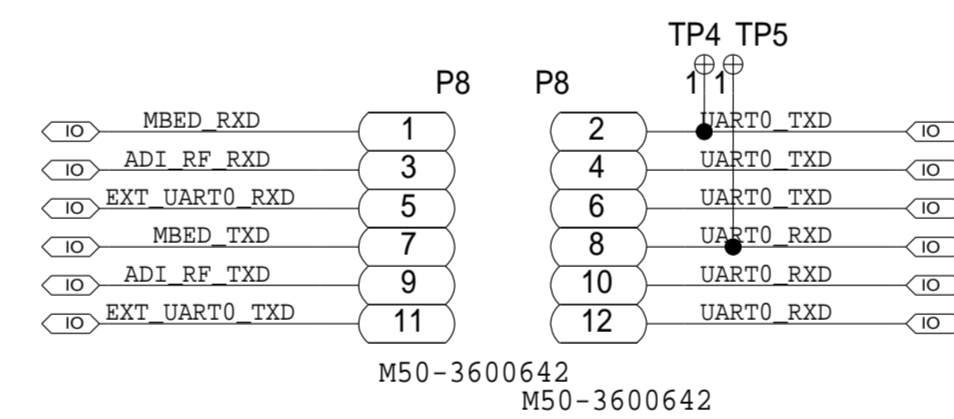


DF12(3.0)-32DP-0.5V(86)

DF12(3.0)-32DP-0.5V(86)



UART HEADER



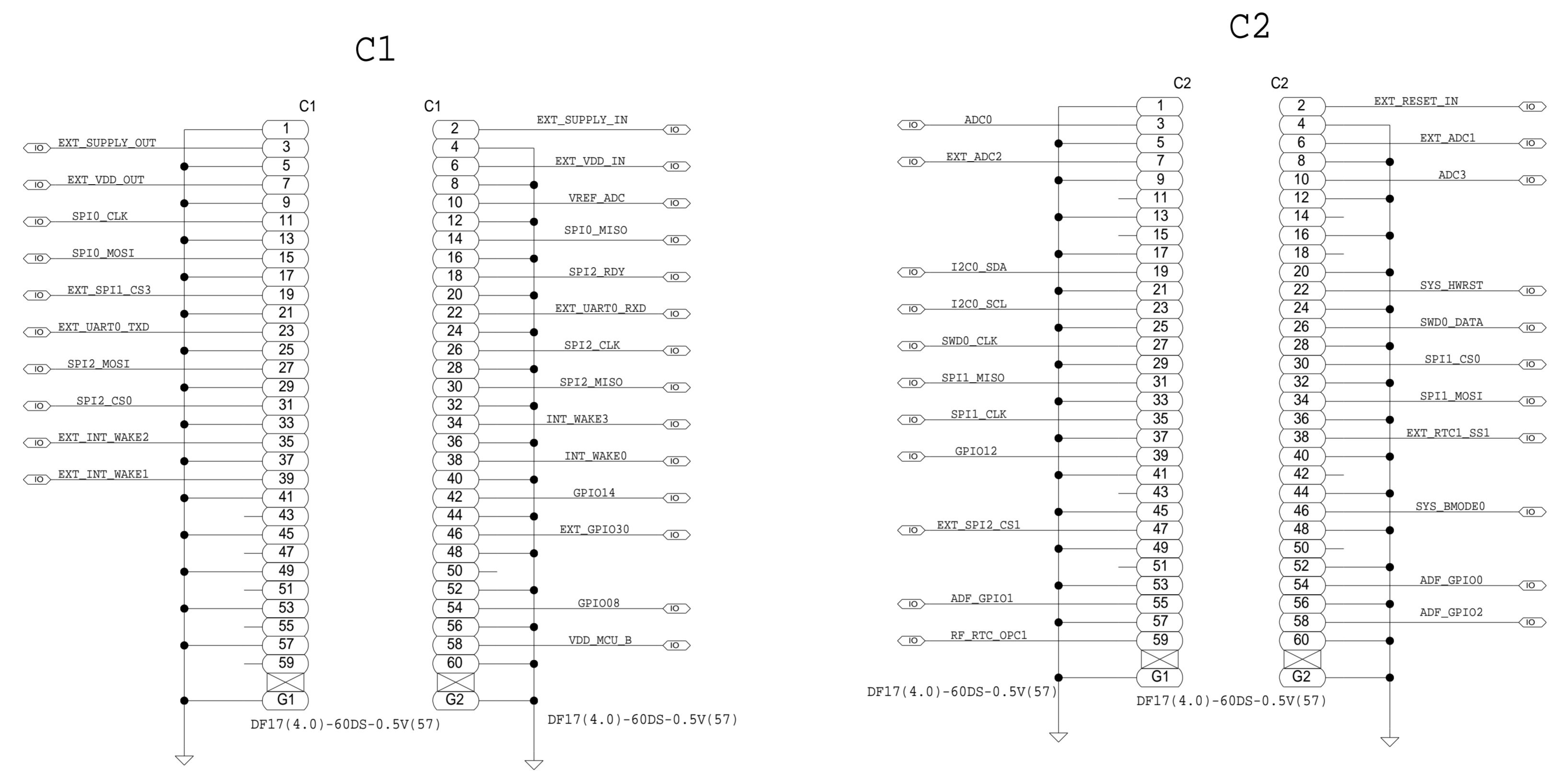
M50-3600642

M50-3600642

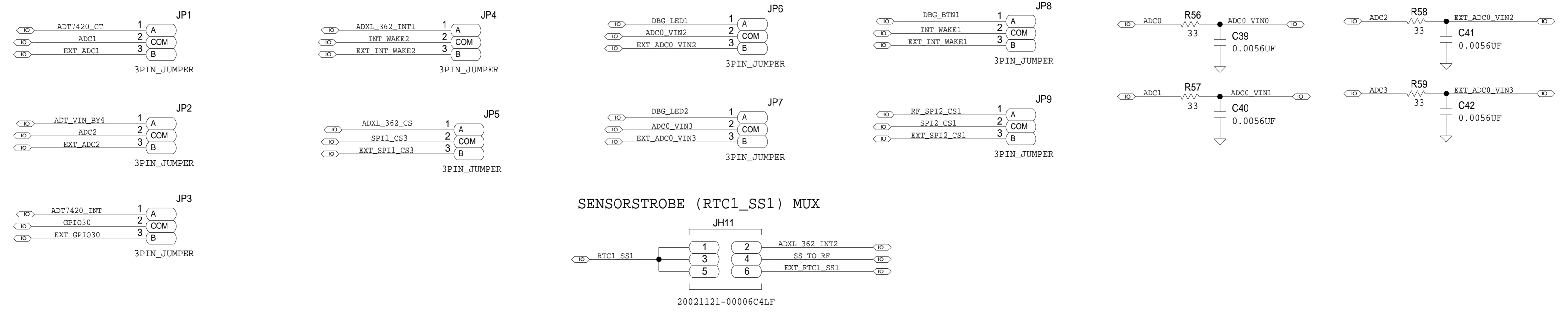
ANALOG DEVICES		SCHEMATIC			
<small>THIS DRAWING IS THE PROPERTY OF ANALOG DEVICES INC. IT IS NOT TO BE REPRODUCED OR COPIED, IN WHOLE OR IN PART, OR USED IN ANY MANNER THAT IS DETRIMENTAL TO THE INTERESTS OF ANALOG DEVICES. THE EQUIPMENT SHOWN HEREIN MAY BE PROTECTED BY PATENTS OWNED OR CONTROLLED BY ANALOG DEVICES.</small>		HW TYPE : Customer Evaluation		DRAWING NO. 02_049050	
		Product(s) : ADuCM4050 : ADuCM3029		REV A	
DESIGN VIEW <DESIGN_VIEW>		SIZE D	SCALE 1:1	SHEET 3 OF 6	
PTD ENGINEER K. ABHISHEK					

REVISIONS			
REV	DESCRIPTION	DATE	APPROVED

EXPANSION CONNECTORS



USE ZERO RESISTORS
IN DEFAULT POSITION A

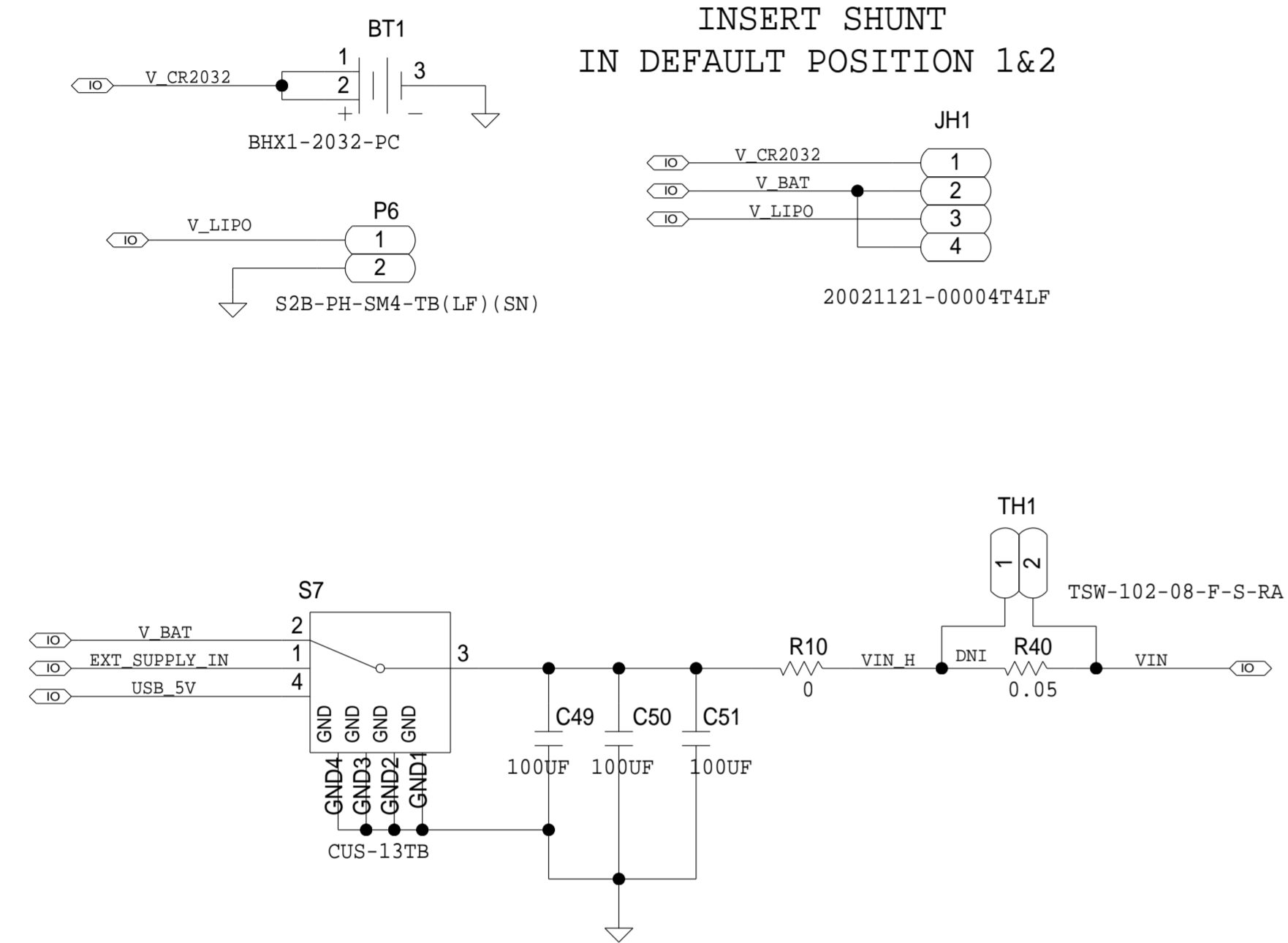


SCHEMATIC			
		HW TYPE : Customer Evaluation Product(s) : ADuCM4050 : ADuCM3029	
THIS DRAWING IS THE PROPERTY OF ANALOG DEVICES INC. IT IS NOT TO BE REPRODUCED OR COPIED, IN WHOLE OR IN PART, OR USED IN FURNISHING INFORMATION TO OTHERS, OR FOR ANY OTHER PURPOSE DETRIMENTAL TO THE INTERESTS OF ANALOG DEVICES. THE EQUIPMENT SHOWN HEREON MAY BE PROTECTED BY PATENTS OWNED OR CONTROLLED BY ANALOG DEVICES.		DESIGN VIEW <DESIGN_VIEW>	DRAWING NO. 02_049050
PTD ENGINEER K. ABHISHEK		SIZE D	SCALE 1:1
		SHEET 4 OF 6	REV A

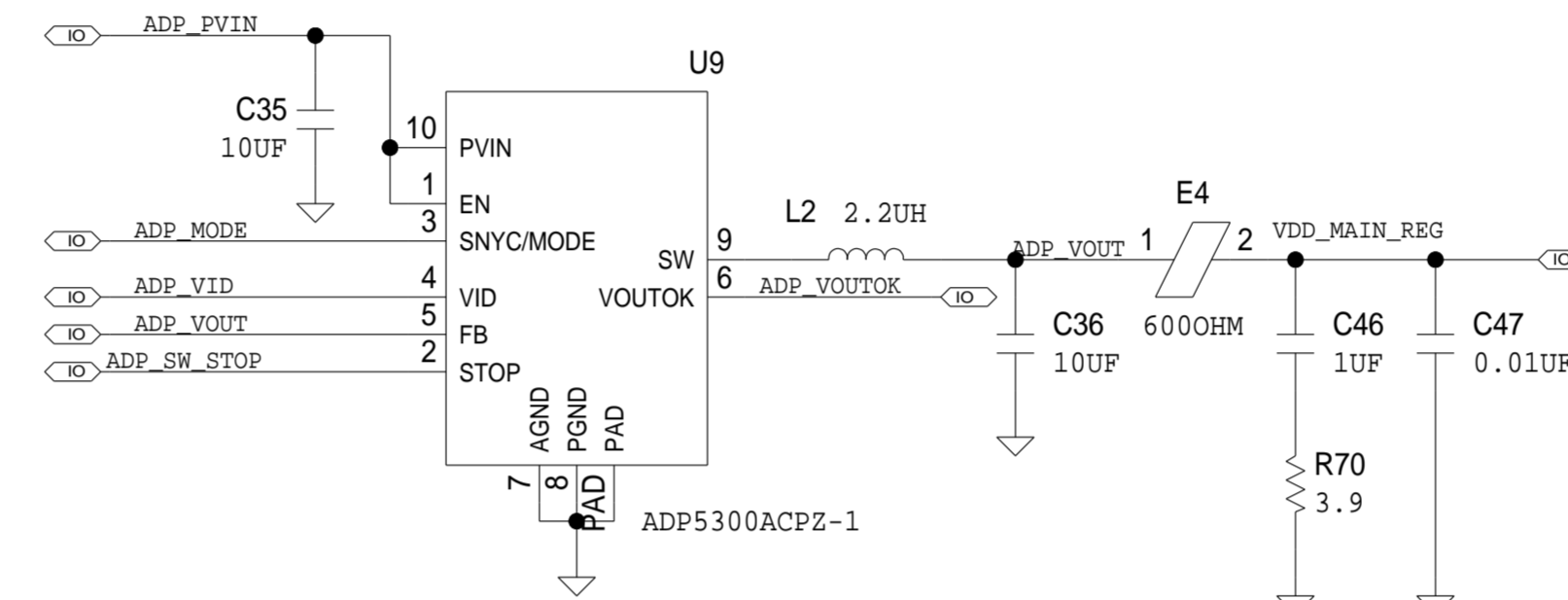
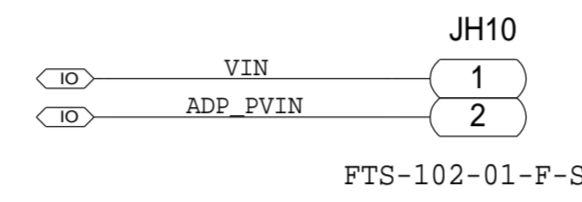
REVISIONS			
REV	DESCRIPTION	DATE	APPROVED

POWER MANAGEMENT

POWER SUPPLY OPTIONS

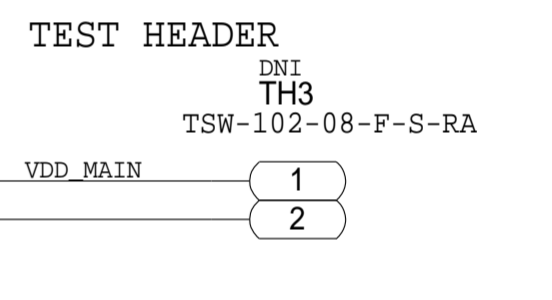
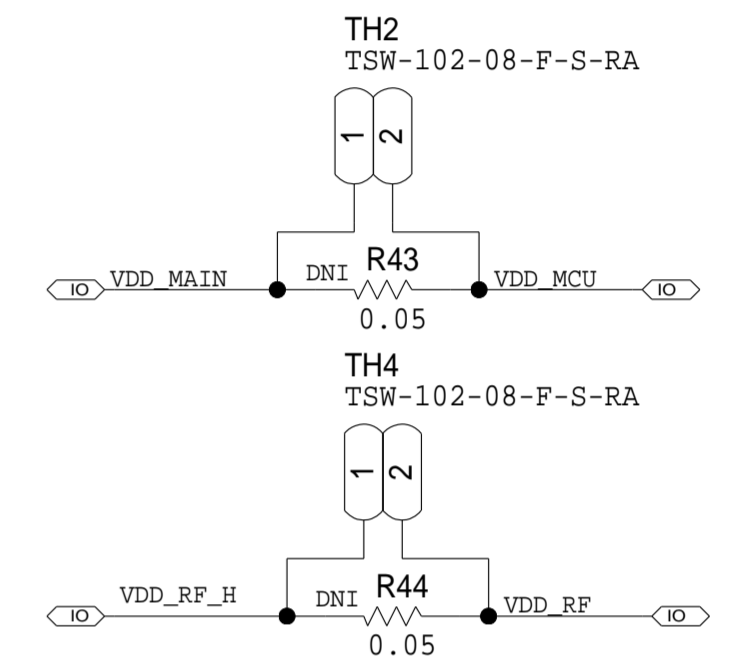
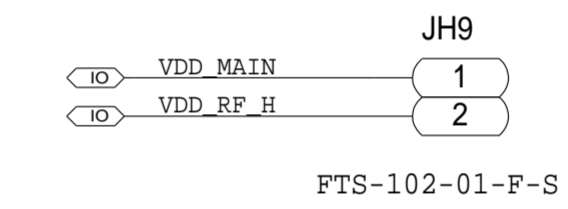
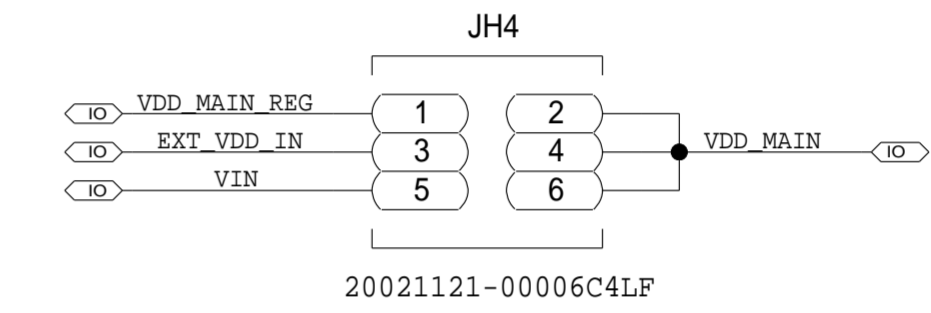


INSERT SHUNT
IN DEFAULT POSITION 1&2

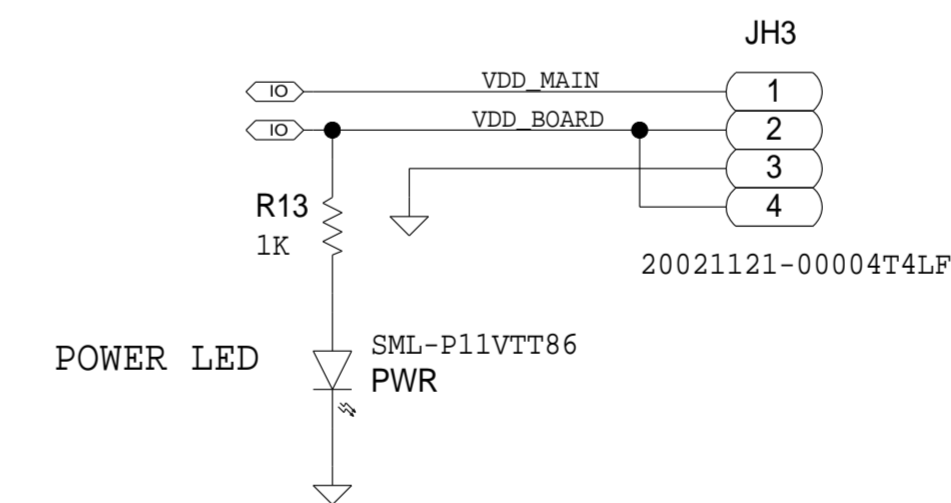
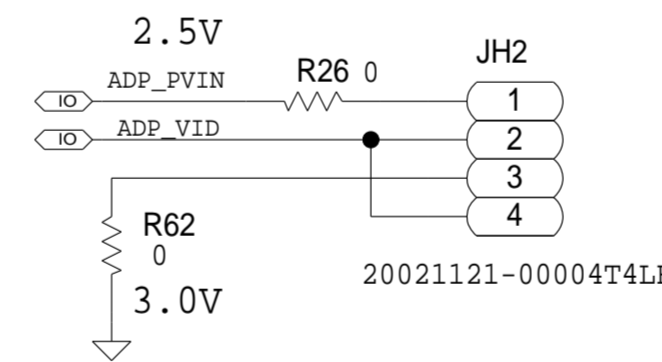


STEP DOWN REGULATOR

INSERT SHUNT
IN DEFAULT POSITION 1&2



INSERT SHUNT
IN DEFAULT POSITION 1&2

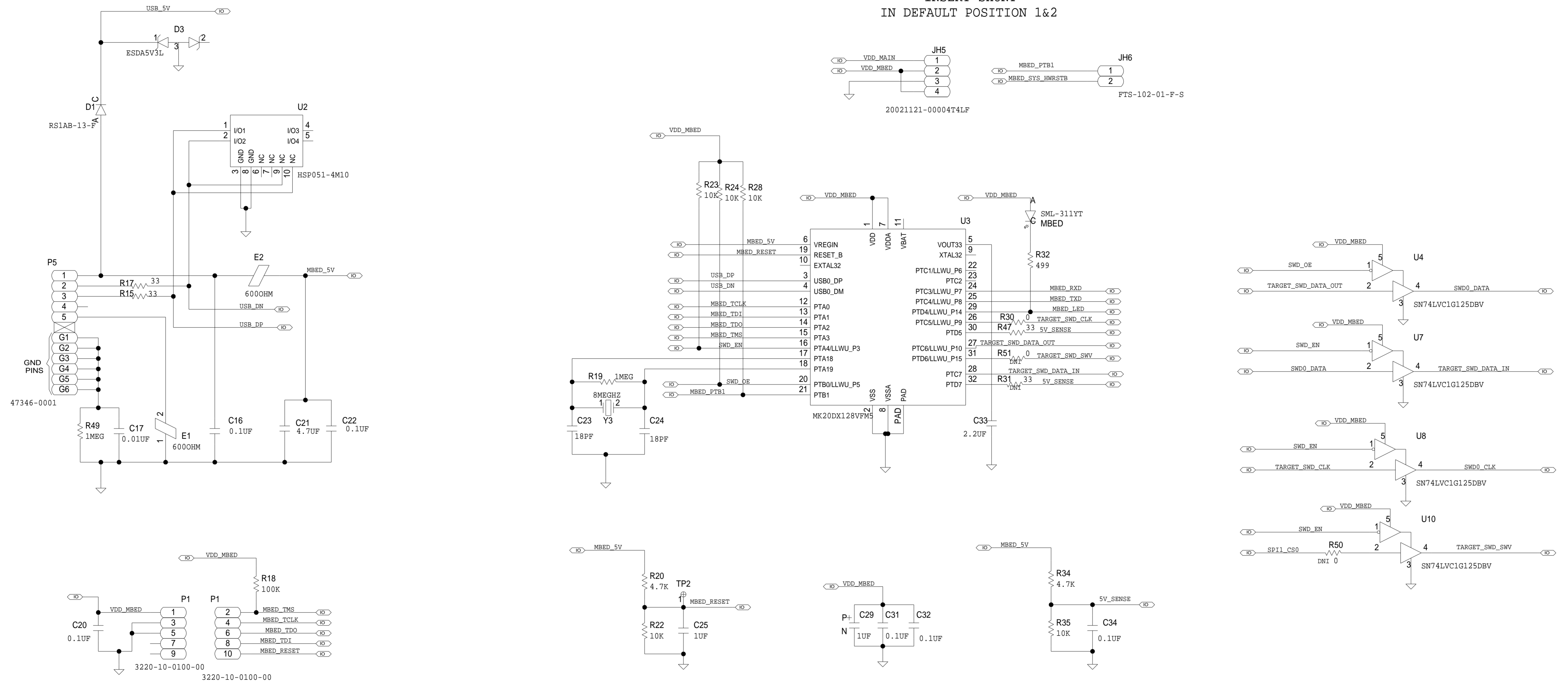


ANALOG DEVICES				SCHEMATIC			
<small>THIS DRAWING IS THE PROPERTY OF ANALOG DEVICES INC. IT IS NOT TO BE REPRODUCED OR COPIED, IN WHOLE OR IN PART, OR USED IN FURNISHING INFORMATION TO OTHERS, OR FOR ANY OTHER PURPOSE DETRIMENTAL TO THE INTERESTS OF ANALOG DEVICES. THE EQUIPMENT SHOWN HEREON MAY BE PROTECTED BY PATENTS OWNED OR CONTROLLED BY ANALOG DEVICES.</small>				HW TYPE : Customer Evaluation		DRAWING NO. 02_049050	
				Product(s): ADuCM4050 : ADuCM3029		REV A	
DESIGN VIEW <DESIGN_VIEW>		SIZE D	SCALE 1:1	SHEET 5 OF 6		REV A	
PTD ENGINEER K. ABHISHEK							

REVISIONS			
REV	DESCRIPTION	DATE	APPROVED

MBED DEBUGGER

INSERT SHUNT
IN DEFAULT POSITION 1&2



SCHEMATIC			
		HW TYPE : Customer Evaluation Product(s) : ADuCM4050 : ADuCM3029	
DESIGN VIEW <DESIGN_VIEW>	DRAWING NO. 02_049050	REV A	
PTD ENGINEER K. ABHISHEK	SIZE D	SCALE 1:1	SHEET 6 OF 6

THIS DRAWING IS THE PROPERTY OF ANALOG DEVICES INC. IT IS NOT TO BE REPRODUCED OR COPIED, IN WHOLE OR IN PART, OR USED IN ANY MANNER THAT IS DETRIMENTAL TO THE INTERESTS OF ANALOG DEVICES. THE EQUIPMENT SHOWN HEREIN MAY BE PROTECTED BY PATENTS OWNED OR CONTROLLED BY ANALOG DEVICES.