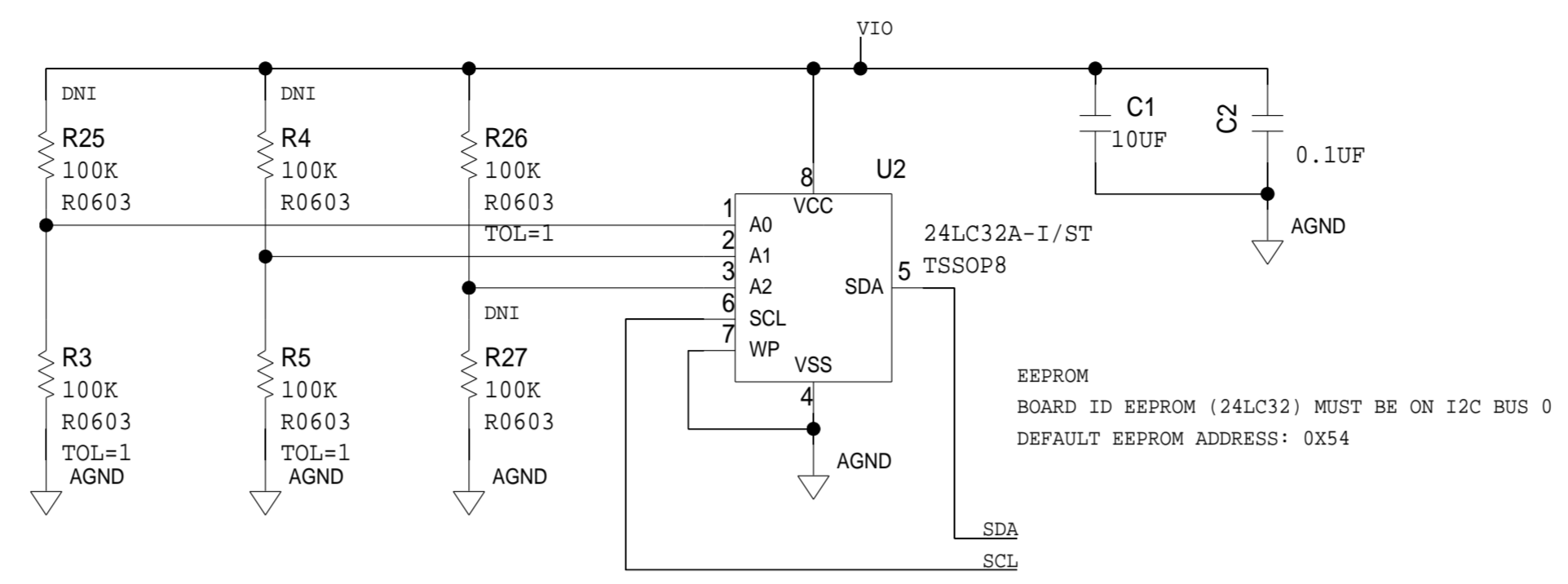
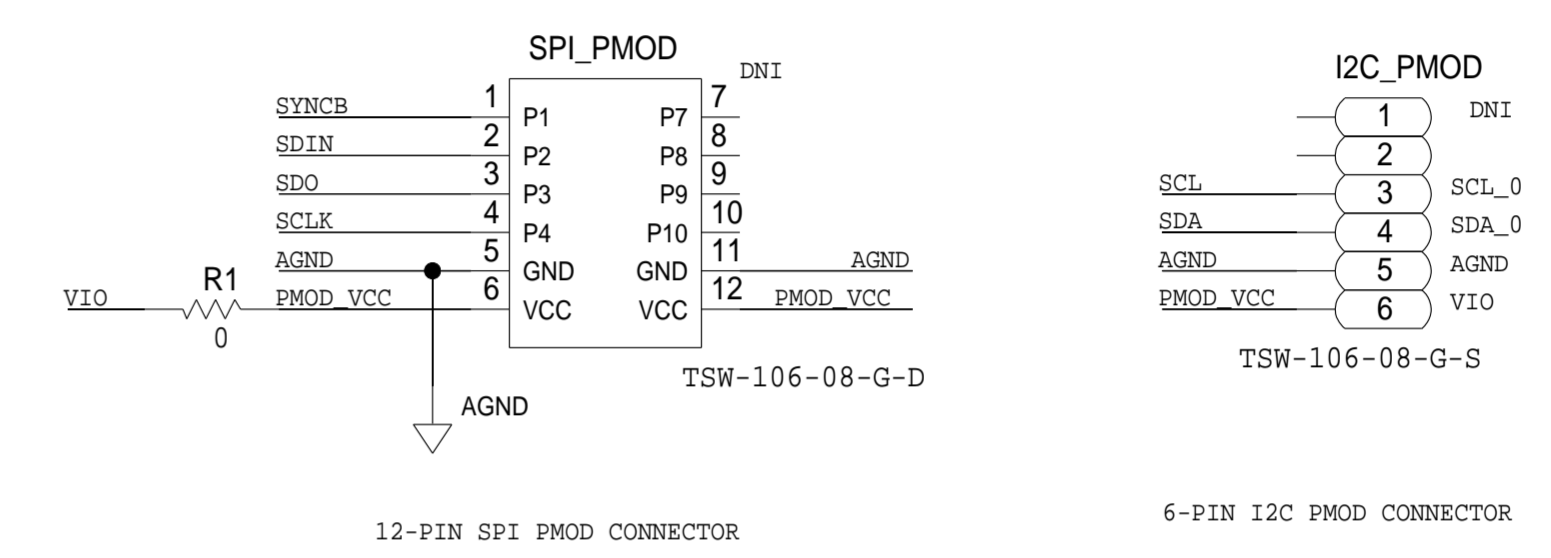


REVISIONS			
REV	DESCRIPTION	DATE	APPROVED

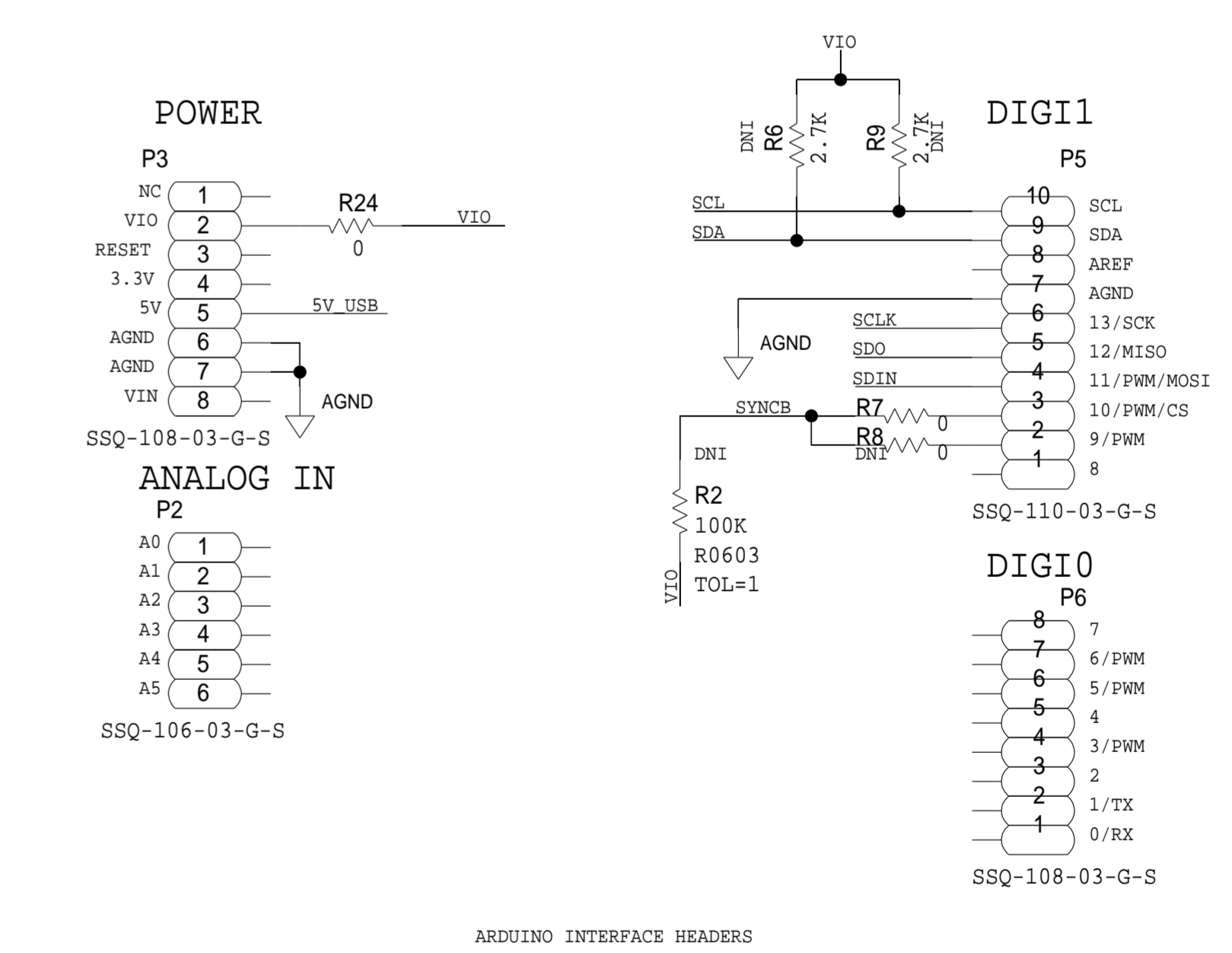


EEPROM
BOARD ID EEPROM (24LC32) MUST BE ON I2C BUS 0
DEFAULT EEPROM ADDRESS: 0X54

DIGITAL INTERFACE HEADERS



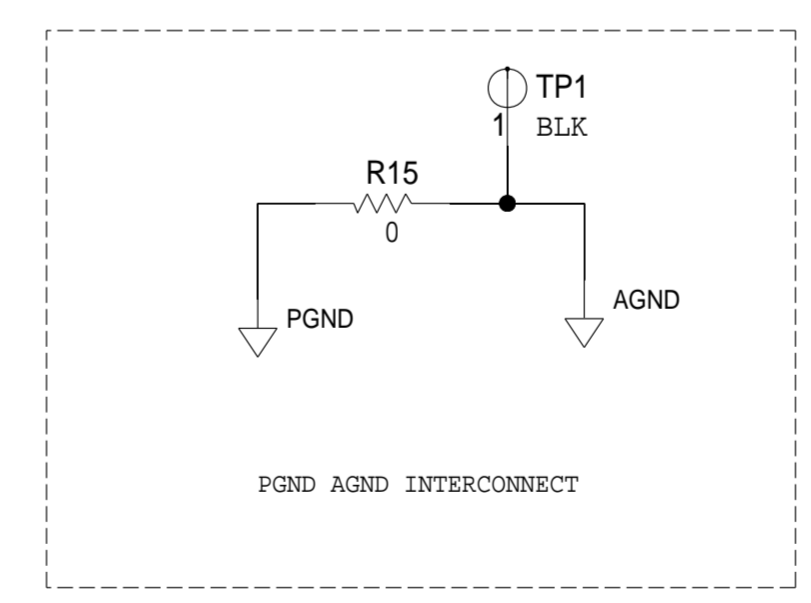
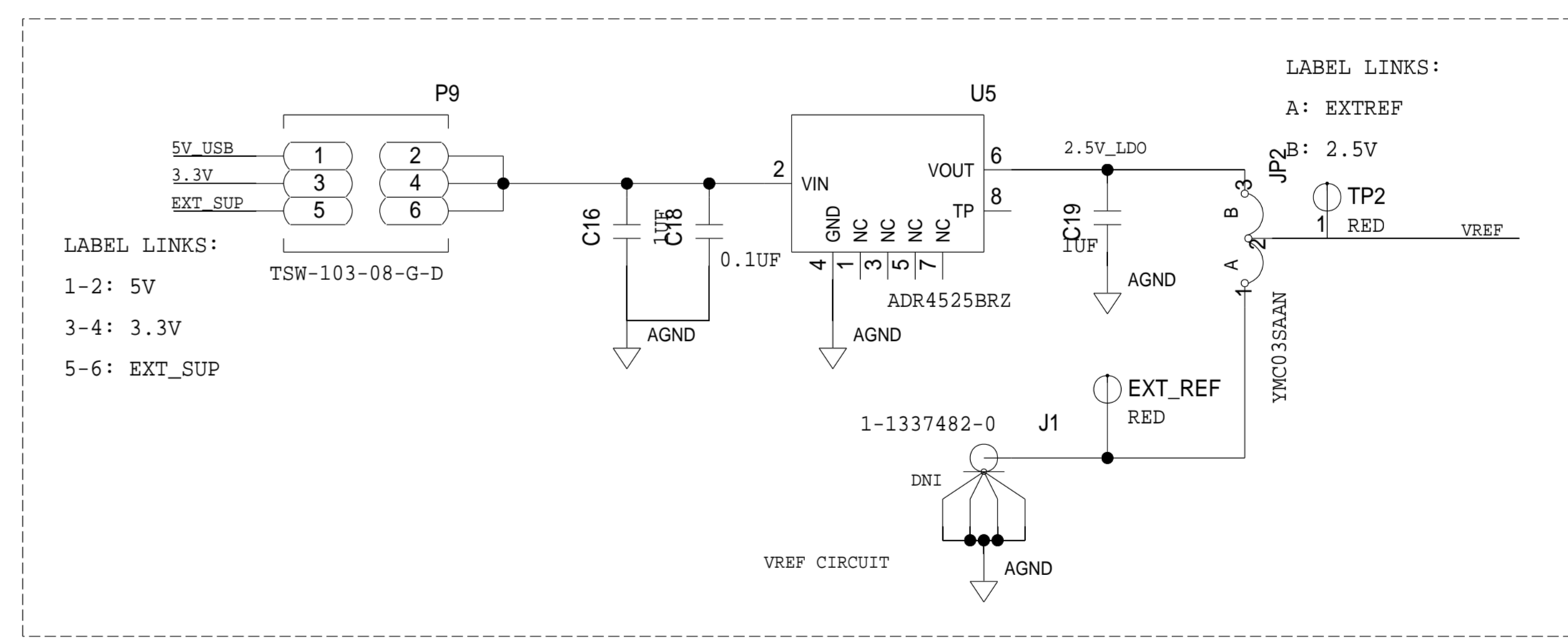
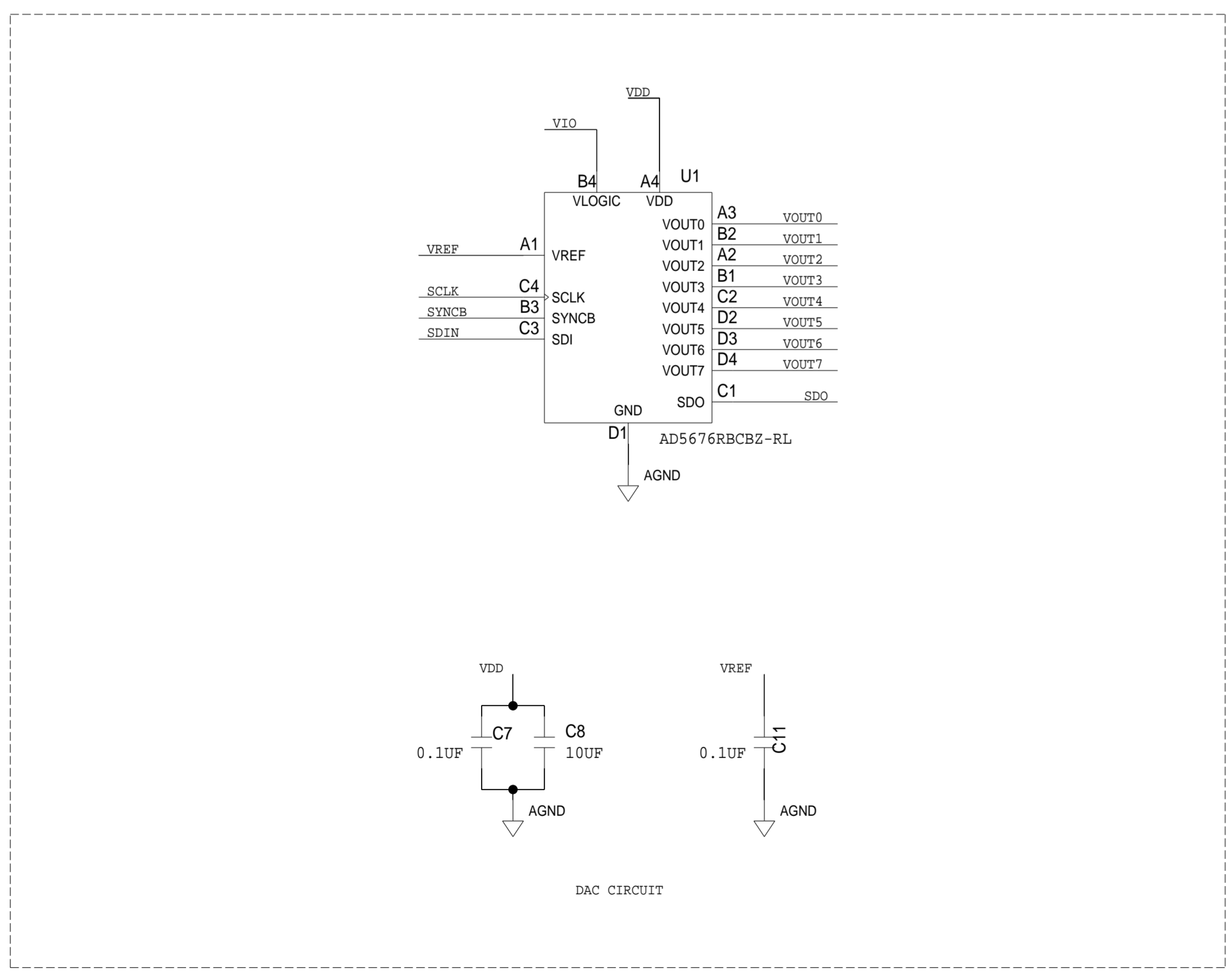
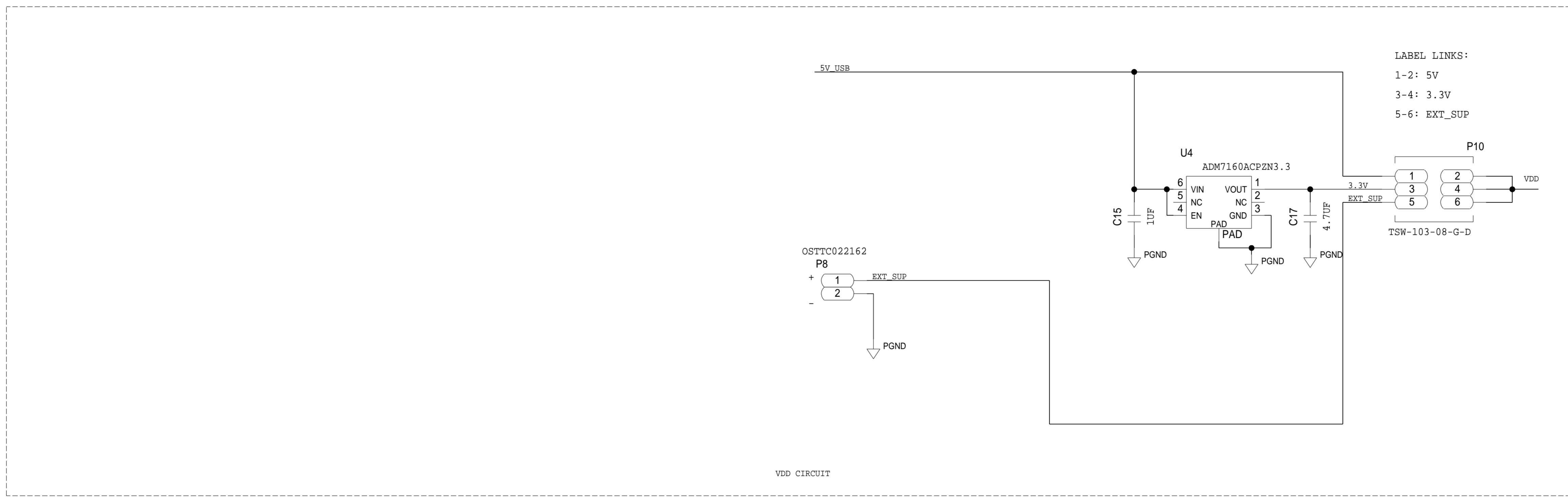
ARDUINO INTERFACE HEADERS



ARDUINO AND PMOD INTERFACE

	SCHEMATIC		
	HW TYPE : Customer Evaluation		
	Product(s) : AD5676RBCBZ-RL		
	-		
DESIGN VIEW <DESIGN_VIEW>	DRAWING NO. 02_066455	REV A	
PTD ENGINEER IAN VINCENT ANDAL	SIZE D	SCALE 1:1	SHEET 2 OF 4

REVISIONS			
REV	DESCRIPTION	DATE	APPROVED

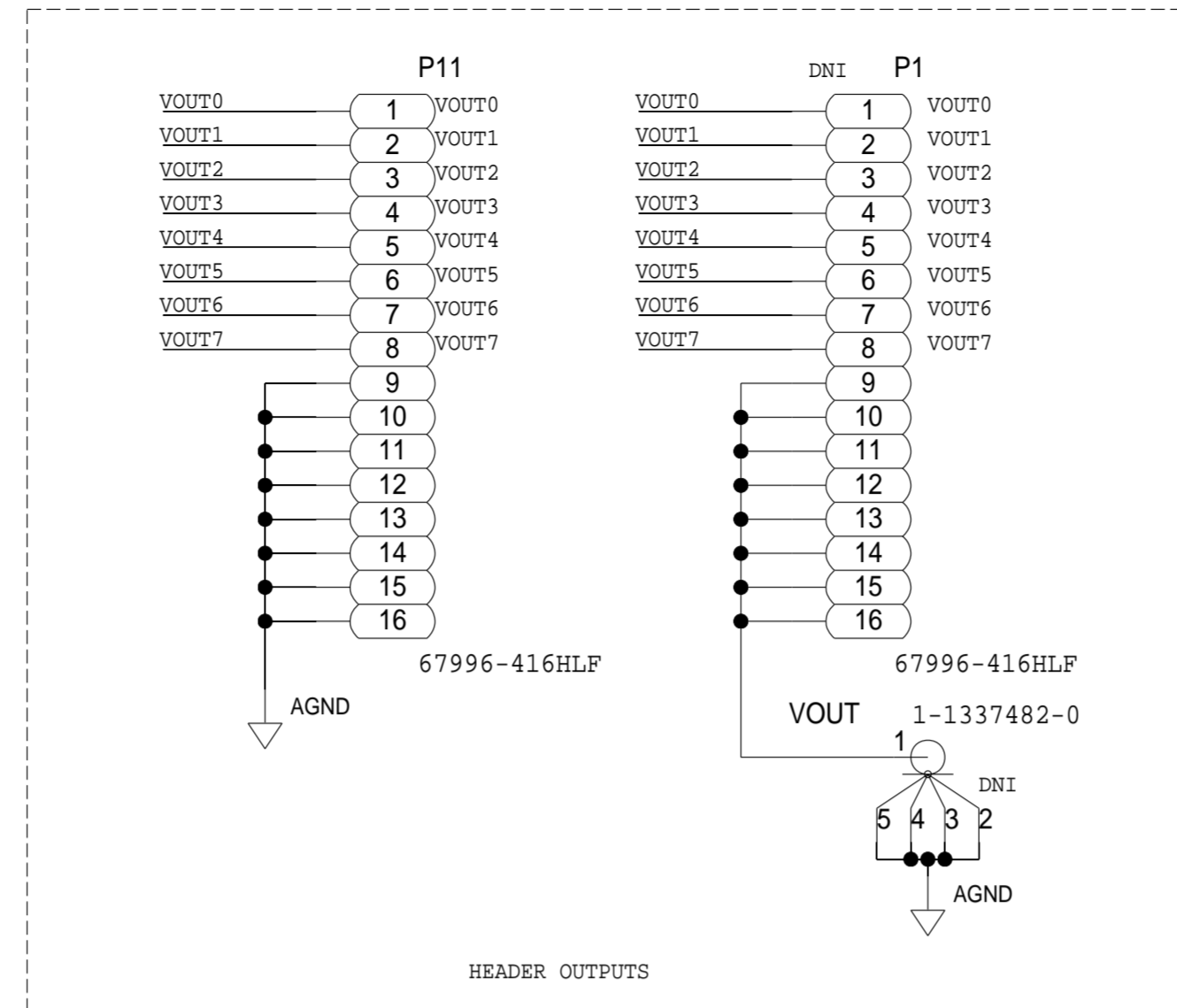


CONNECT PGND AND AGND IN SUCH A WAY TO MINIMIZE THE NOISE TO COUPLE

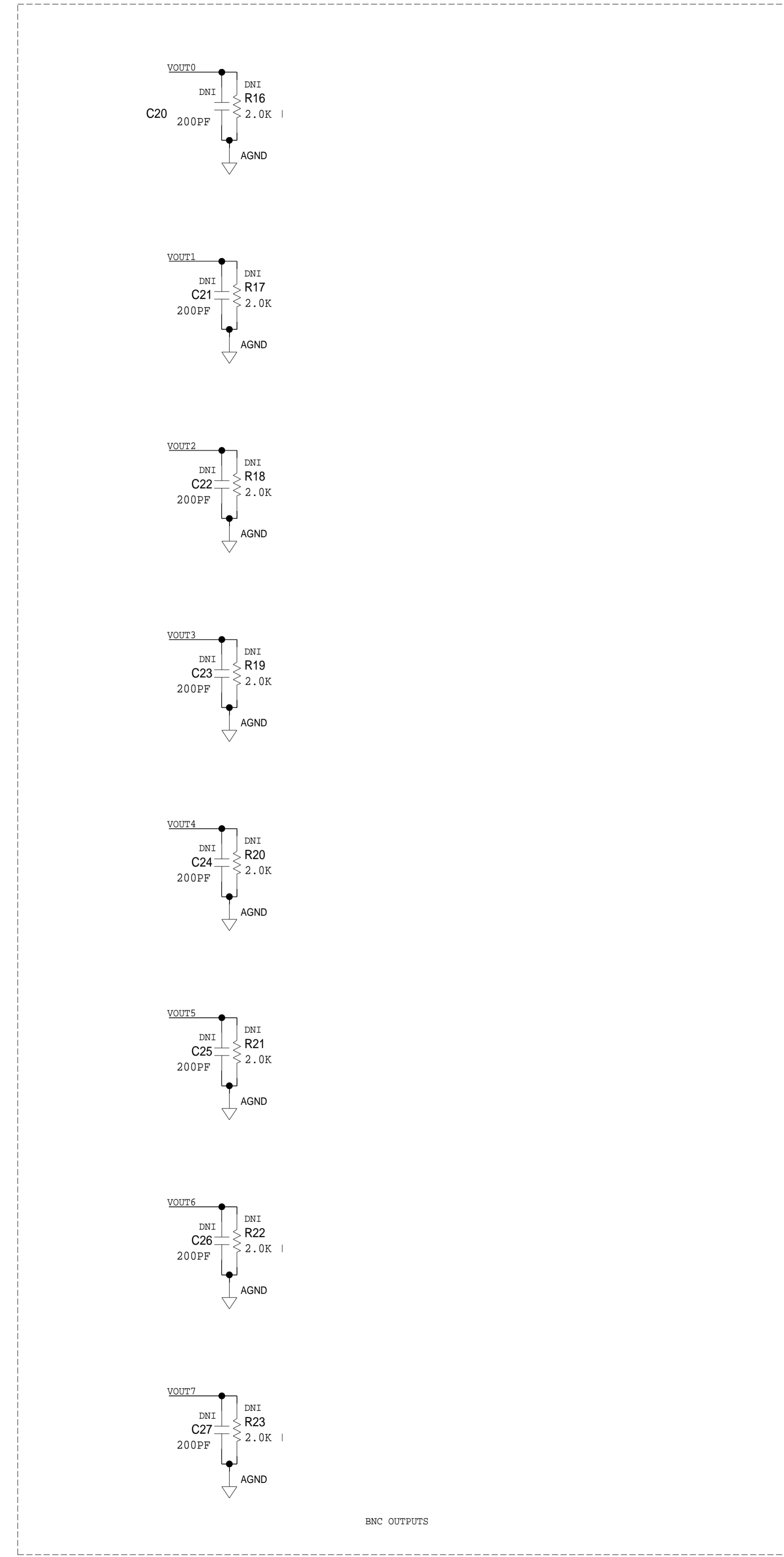
MAIN CIRCUIT

	SCHEMATIC		
	HW TYPE : Customer Evaluation		
	Product(s): AD5676RBCBZ-RL		
	-		
DESIGN VIEW <DESIGN_VIEW>	DRAWING NO. 02_066455	REV A	
PTD ENGINEER IAN VINCENT ANDAL	SIZE D	SCALE 1:1	SHEET 3 OF 4

REVISIONS			
REV	DESCRIPTION	DATE	APPROVED



DAC OUTPUT INTERFACE



	SCHEMATIC		
	HW TYPE : Customer Evaluation Product(s): AD5676RBCBZ-RL -		
	DESIGN VIEW <DESIGN_VIEW>	DRAWING NO. 02_066455	REV A
	PTD ENGINEER IAN VINCENT ANDAL	SIZE D	SCALE 1:1
		SHEET 4 OF 4	