

8 7 6 5 4 3 2 1

THIS DRAWING IS THE PROPERTY OF ANALOG DEVICES INC. IT IS NOT TO BE REPRODUCED OR COPIED, IN WHOLE OR IN PART, OR USED IN FURNISHING INFORMATION TO OTHERS, OR FOR ANY OTHER PURPOSE DETRIMENTAL TO THE INTERESTS OF ANALOG DEVICES. THE EQUIPMENT SHOWN HEREON MAY BE PROTECTED BY PATENTS OWNED OR CONTROLLED BY ANALOG DEVICES.

JUMPER TABLE		
JP#	ON	OFF
1		
2		
3		
4		
5		

REVISIONS			
REV	DESCRIPTION	DATE	APPROVED
A	INITIAL RELEASE	13MAR19	J. PENAFLOR
B	AS PER ECR-089173	28JUN19	J. PENAFLOR

RELAY CONTROL CHART

CONTROL	CODE	DEVICE	FUNCTION	CONNECTOR

* SEE ASSEMBLY INSTRUCTIONS

EVAL-AD5593R-PMDZ

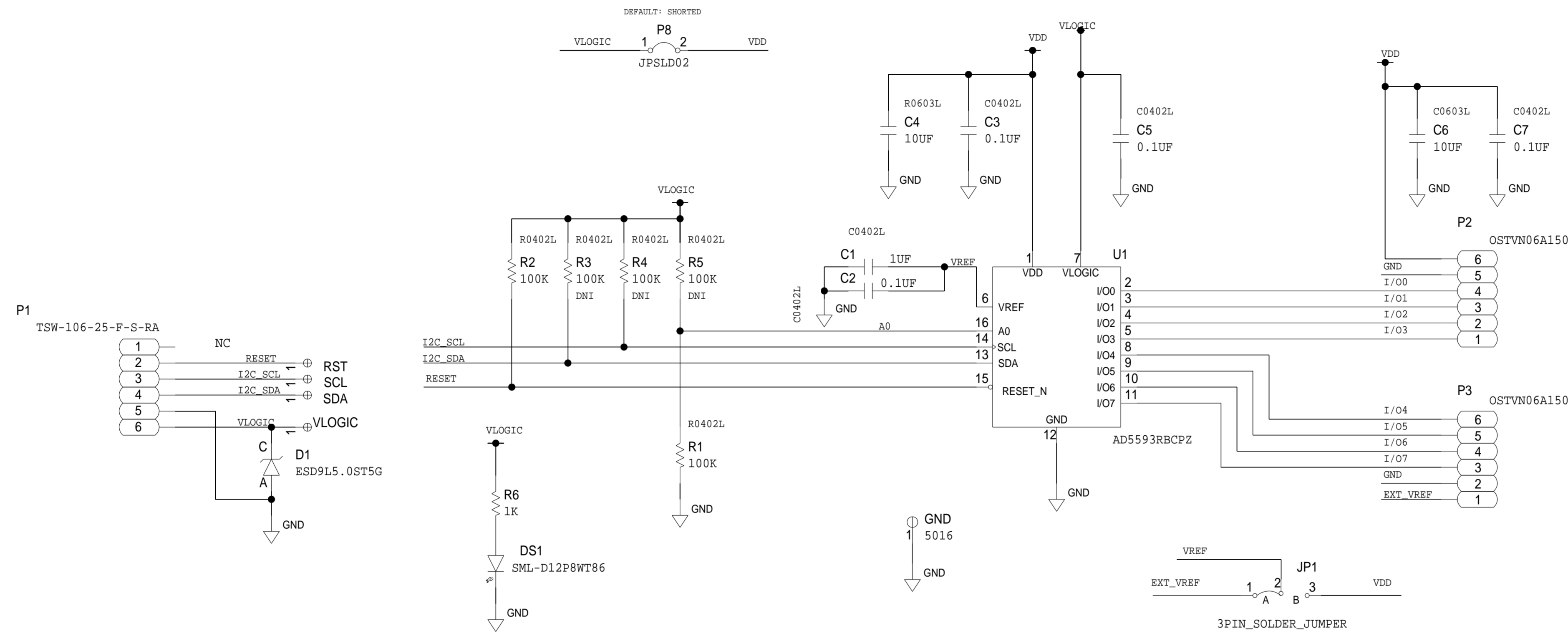
P.O SPEC.	BK/BD SPEC.	SOCKET OEM	OEM PART#	HANDLER

TEMPLATE ENGINEER	DATE	SCHEMATIC			
-					
HARDWARE SERVICES	13MAR19	HW TYPE : Customer Evaluation			
M. JOSE		Product(s) : AIODIO-I2C-PMDZ			
HARDWARE SYSTEMS		: N/A			
-		PACKAGE : N/A-lead N/A N/A-family			
TEST ENGINEER		: Pitch-pitch StyleVendor Style			
-		<User Define>			
COMPONENT ENGINEER	13MAR19	<User Define>			
A. CAUILAN-AGENA		<User Define>			
TEST PROCESS					
-					
HARDWARE RELEASE	13MAR19	MASTER PROJECT TEMPLATE	TESTER TEMPLATE	DRAWING NO.	
K. JABATAN		TBD	no_template	02_057009	
DESIGNER	13MAR19	UNLESS OTHERWISE SPECIFIED DIMENSIONS ARE IN INCHES			REV.
G. GARCIA		TOLERANCES			C
PTD ENGINEER	13MAR19	DECIMALS	FRACTIONS	ANGLES	
J. PENAFLOR		X.XX +0.010	+1/32	+2	
CHECKER		X.XXX +0.005			
-		SIZE	SCALE	CODE ID NO.	SHEET 1 OF 2
		D	1:1	CodeID	

8 7 6 5 4 3 2 1

EVAL-AD5593R-PMDZ

REVISIONS			
REV	DESCRIPTION	DATE	APPROVED



	SCHEMATIC		
	HW TYPE : Customer Evaluation Product(s) : AIODIO-I2C-PMDZ : N/A		
	DESIGN VIEW <DESIGN_VIEW>	DRAWING NO. 02_057009	REV C
	PTD ENGINEER J. PENAFLO	SIZE D	SCALE 1:1
		SHEET 2 OF 2	