

THIS DRAWING IS THE PROPERTY OF ANALOG DEVICES INC. IT IS NOT TO BE REPRODUCED OR COPIED, IN WHOLE OR IN PART, OR USED IN FURNISHING INFORMATION TO OTHERS, OR FOR ANY OTHER PURPOSE DETRIMENTAL TO THE INTERESTS OF ANALOG DEVICES. THE EQUIPMENT SHOWN HEREON MAY BE PROTECTED BY PATENTS OWNED OR CONTROLLED BY ANALOG DEVICES.

RELAY CONTROL CHART

CONTROL	CODE	DEVICE	FUNCTION	CONNECTOR

JUMPER TABLE		
JP#	ON	OFF
1		
2		
3		
4		
5		

* SEE ASSEMBLY INSTRUCTIONS

REVISIONS			
REV	DESCRIPTION	DATE	APPROVED
A	INITIAL RELEASE	15JUN20	E.REYTA

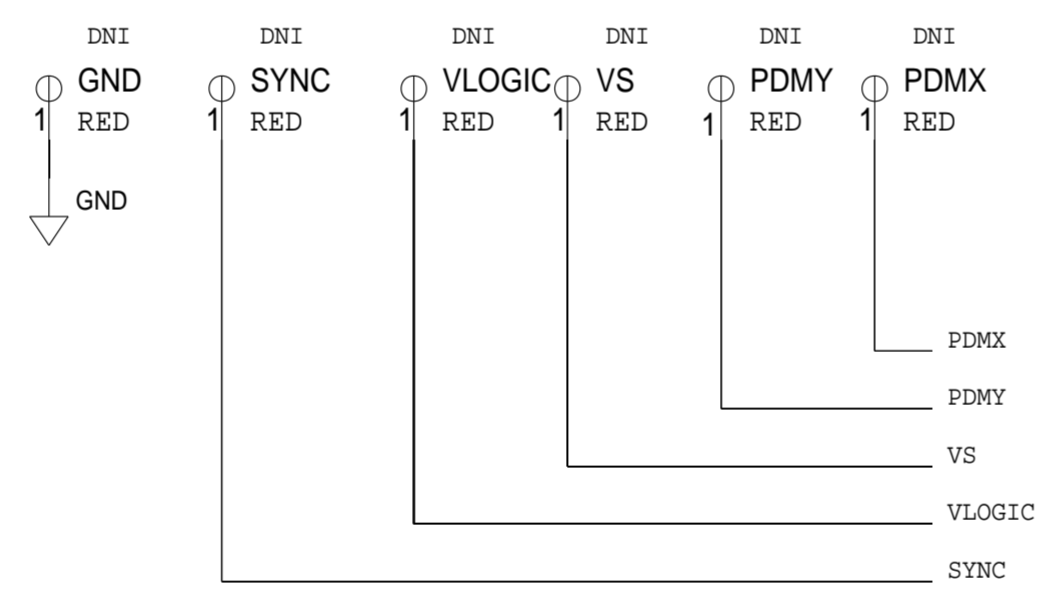
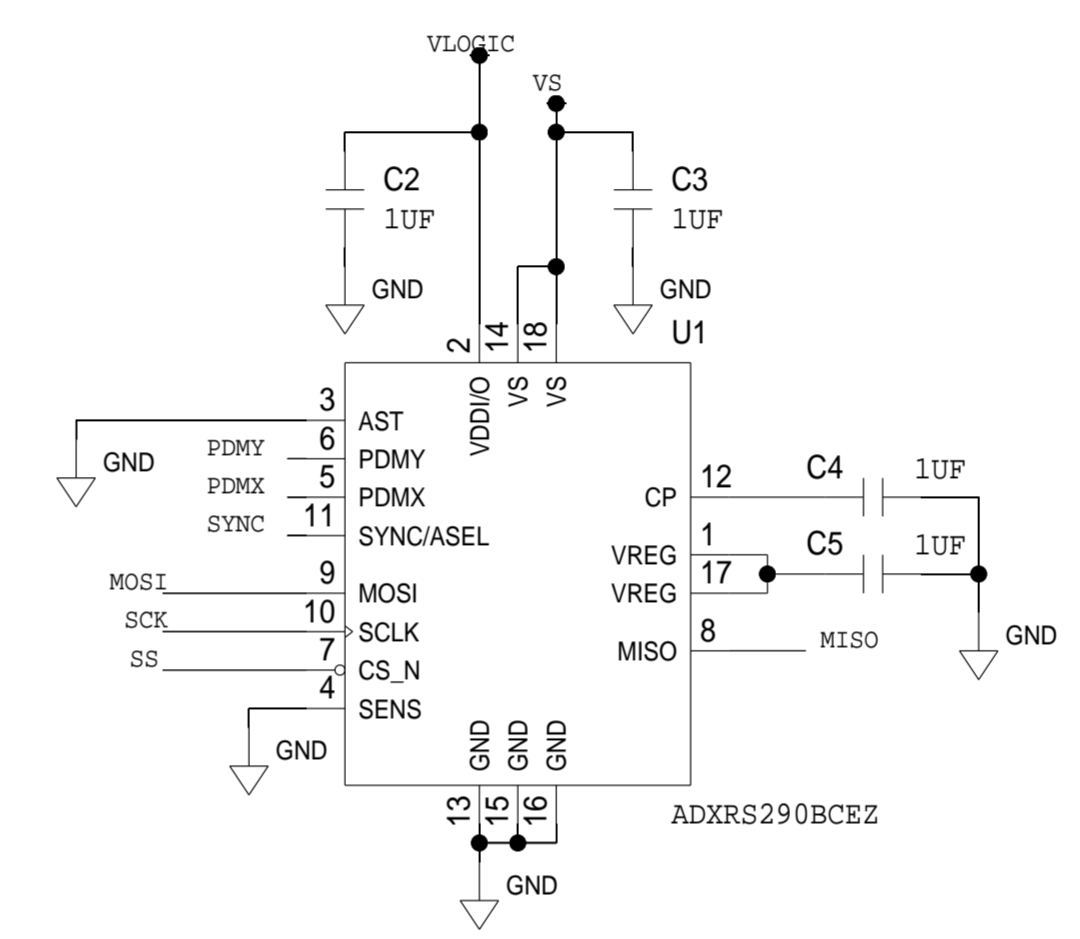
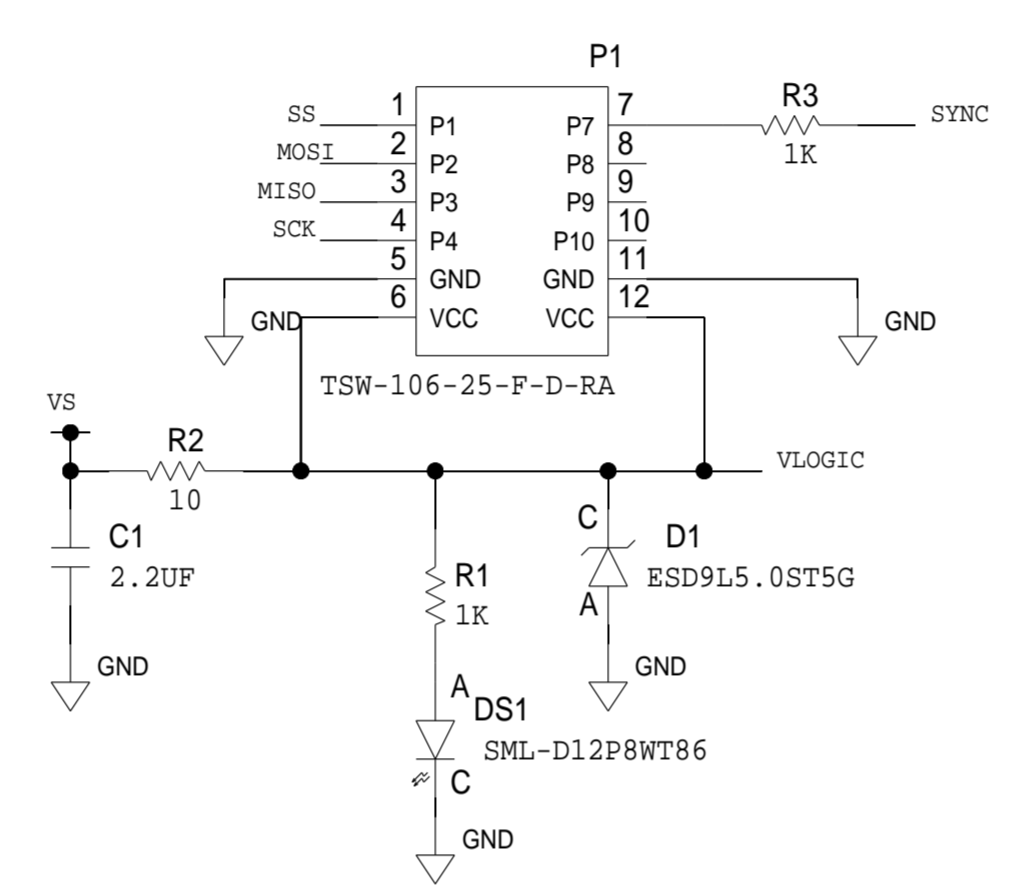
EVAL-ADXRS290-PMDZ

P.O SPEC.	BK/BD SPEC.	SOCKET OEM	OEM PART#	HANDLER

TEMPLATE ENGINEER N/A	DATE N/A	SCHEMATIC	
HARDWARE SERVICES M. VALE	15JUN20		
HARDWARE SYSTEMS N/A	N/A	HW TYPE : Customer Evaluation Z	
TEST ENGINEER N/A	N/A	Product(s): ADXRS290	
COMPONENT ENGINEER M. YAN	15JUN20	: none	
TEST PROCESS N/A	N/A	PACKAGE : 18-lead N/A BGA-family	
HARDWARE RELEASE K. JABATAN	15JUN20	: Pitch-pitch StyleVendor Style	
DESIGNER K. MOYO	15JUN20	<User Define>	
PTD ENGINEER E. REYTA	15JUN20	<User Define>	
CHECKER N/A	N/A	<User Define>	
UNLESS OTHERWISE SPECIFIED DIMENSIONS ARE IN INCHES		MASTER PROJECT TEMPLATE TBD	TESTER TEMPLATE no_template
TOLERANCES		DRAWING NO. 02_065300	REV. A
DECIMALS X.XX +0.010 X.XXX +0.005	FRACTIONS +1/32	ANGLES +2	SIZE D
SCALE 1:1		CODE ID NO. CodeID	SHEET 1 OF 2

REVISIONS			
REV	DESCRIPTION	DATE	APPROVED

EVAL-ADXRS290-PMDZ



	SCHEMATIC		
	HW TYPE : Customer Evaluation Z Product(s): ADXRS290 : none		
	DESIGN VIEW <DESIGN_VIEW>	DRAWING NO. 02_065300	REV A
PTD ENGINEER E. REYTA	SIZE D	SCALE 1:1	SHEET 2 OF 2