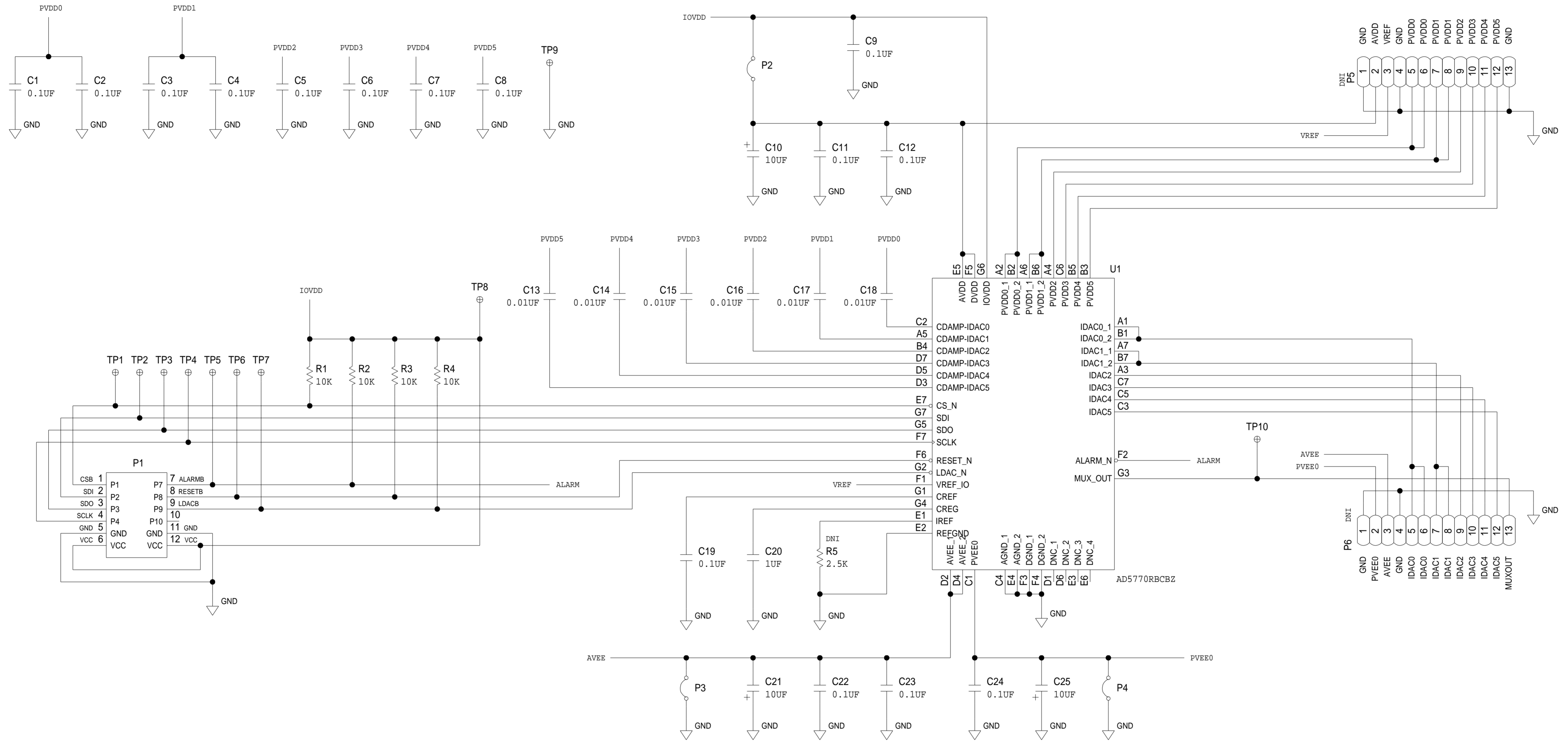


REVISIONS			
REV	DESCRIPTION	DATE	APPROVED



SHEETS			
NO.	DESCRIPTION	DATE	APPROVED

		SCHMATIC	
		HW TYPE : Customer Evaluation Z Product(s): AD5770R : n/a	
DESIGN VIEW	DRAWING NO.	REV	
<DESIGN_VIEW>	02_059518	B	
PTD ENGINEER	SIZE	SCALE	
ALLAN UY	D	1:1	
		SHEET 2	OF 3