

THIS DRAWING IS THE PROPERTY OF ANALOG DEVICES INC. IT IS NOT TO BE REPRODUCED OR COPIED, IN WHOLE OR IN PART, OR USED IN FURNISHING INFORMATION TO OTHERS, OR FOR ANY OTHER PURPOSE DETRIMENTAL TO THE INTERESTS OF ANALOG DEVICES. THE EQUIPMENT SHOWN HEREON MAY BE PROTECTED BY PATENTS OWNED OR CONTROLLED BY ANALOG DEVICES.

RELAY CONTROL CHART

CONTROL	CODE	DEVICE	FUNCTION	CONNECTOR


JUMPER TABLE		
JP#	ON	OFF
1		
2		
3		
4		
5		

* SEE ASSEMBLY INSTRUCTIONS

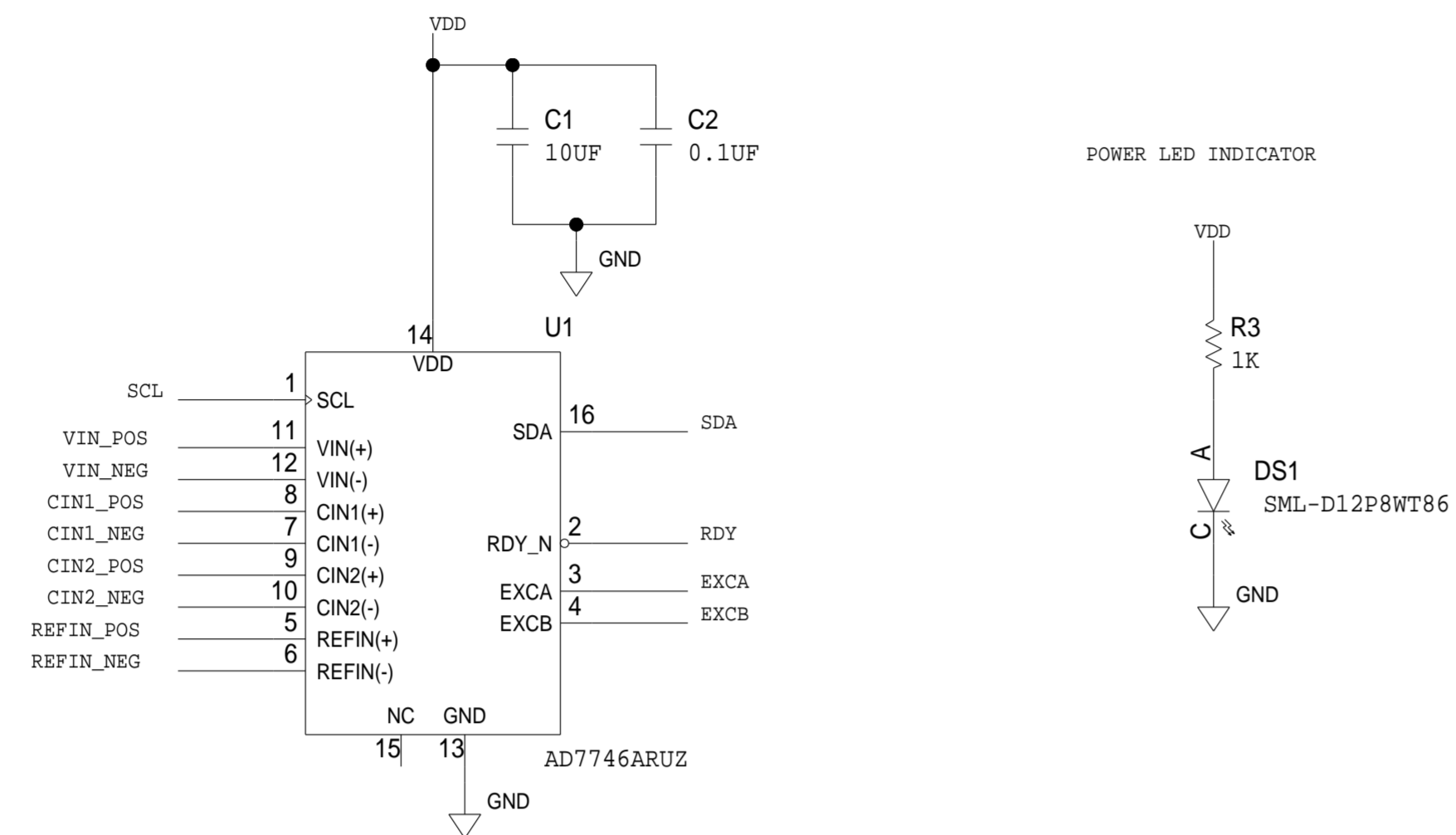
REVISIONS			
REV	DESCRIPTION	DATE	APPROVED
A	INITIAL RELEASE	15AUG20	T. CABILDO
B	CHANGES PER ECR-103897	03AUG21	Z. ARCEO

EVAL-CN0552-PMDZ CDC

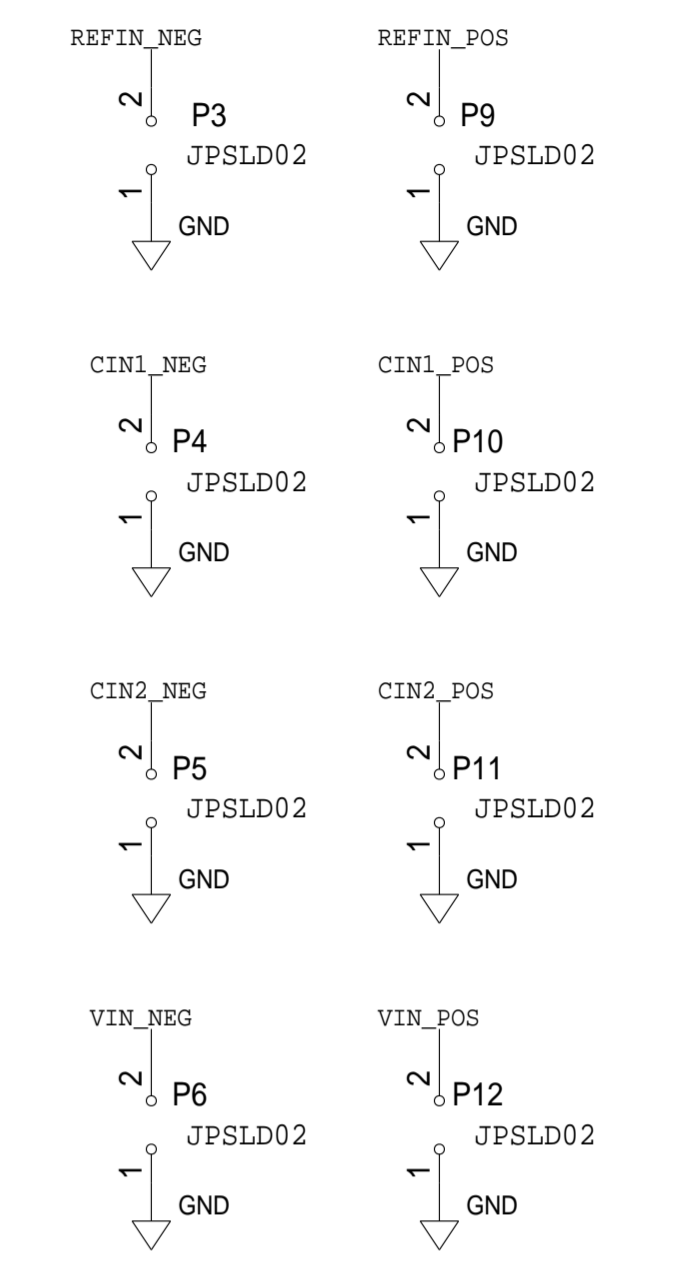
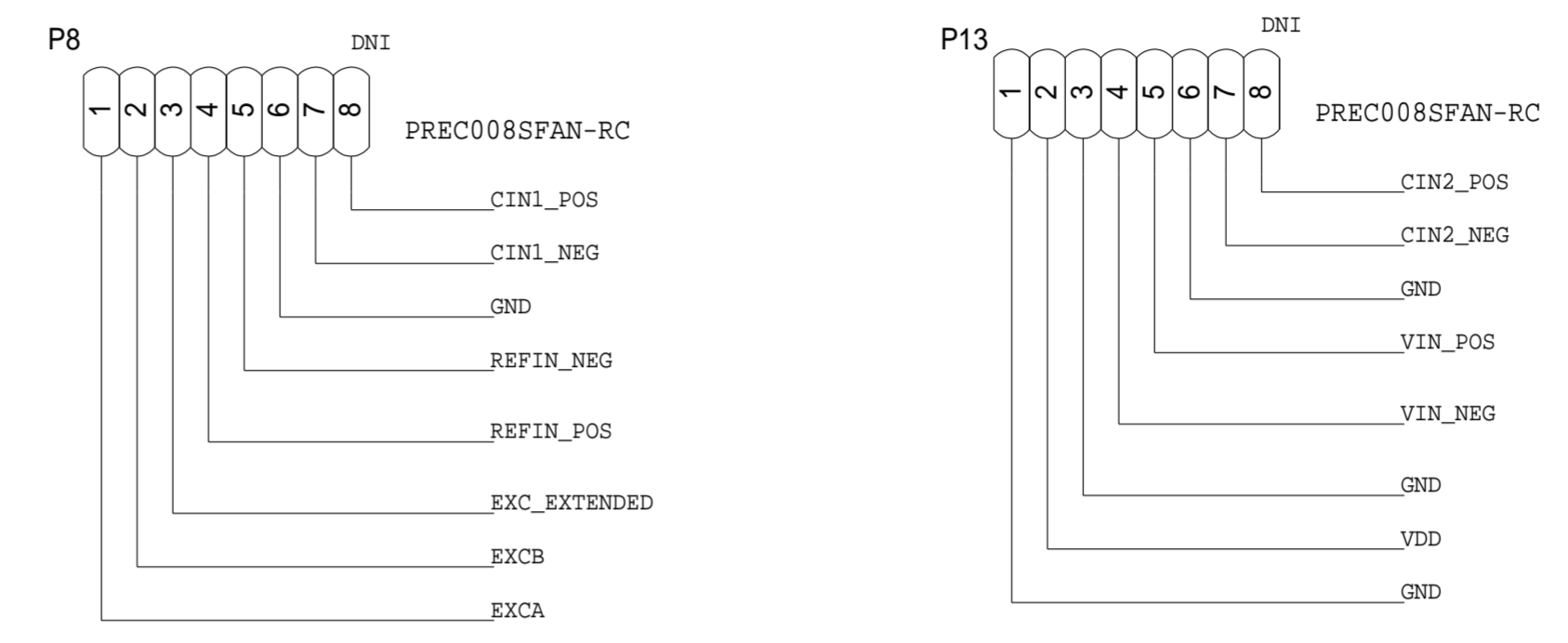
P.O SPEC.	BK/BD SPEC.	SOCKET OEM	OEM PART#	HANDLER
-----------	-------------	------------	-----------	---------

TEMPLATE ENGINEER N/A	DATE	SCHEMATIC		
HARDWARE SERVICES M. VALE	15AUG20			
HARDWARE SYSTEMS N/A		HW TYPE : Customer Evaluation Z		
TEST ENGINEER N/A		Product(s): AD7746		
COMPONENT ENGINEER M. YAN	15AUG20	: N/A		
TEST PROCESS N/A		PACKAGE : LeadCount-lead BodySize PackageType-family		
HARDWARE RELEASE K. JABATAN	15AUG20	: Pitch-pitch StyleVendor Style		
DESIGNER M. NICOPOR	15AUG20	<User Define>		
PTD ENGINEER T. CABILDO	15AUG20	<User Define>		
CHECKER N/A		<User Define>		
MASTER PROJECT TEMPLATE TBD		TESTER TEMPLATE no_template	DRAWING NO. 02_065434	REV. B
UNLESS OTHERWISE SPECIFIED DIMENSIONS ARE IN INCHES				
TOLERANCES		SIZE D	SCALE 1:1	CODE ID NO. CodeID
DECIMALS X.XX +0.010 X.XXX +0.005		FRACTIONS +1/32	ANGLES +2	SHEET 1 OF 2

AD7746

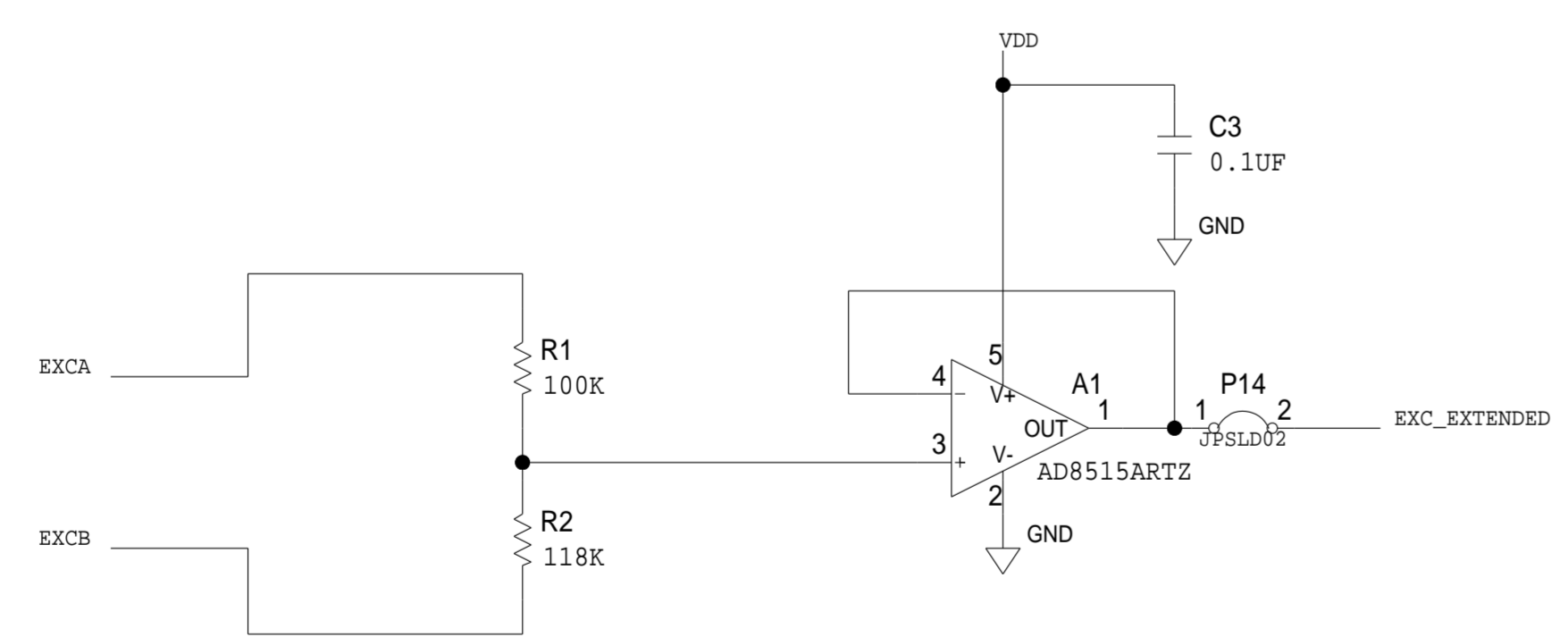


INPUT

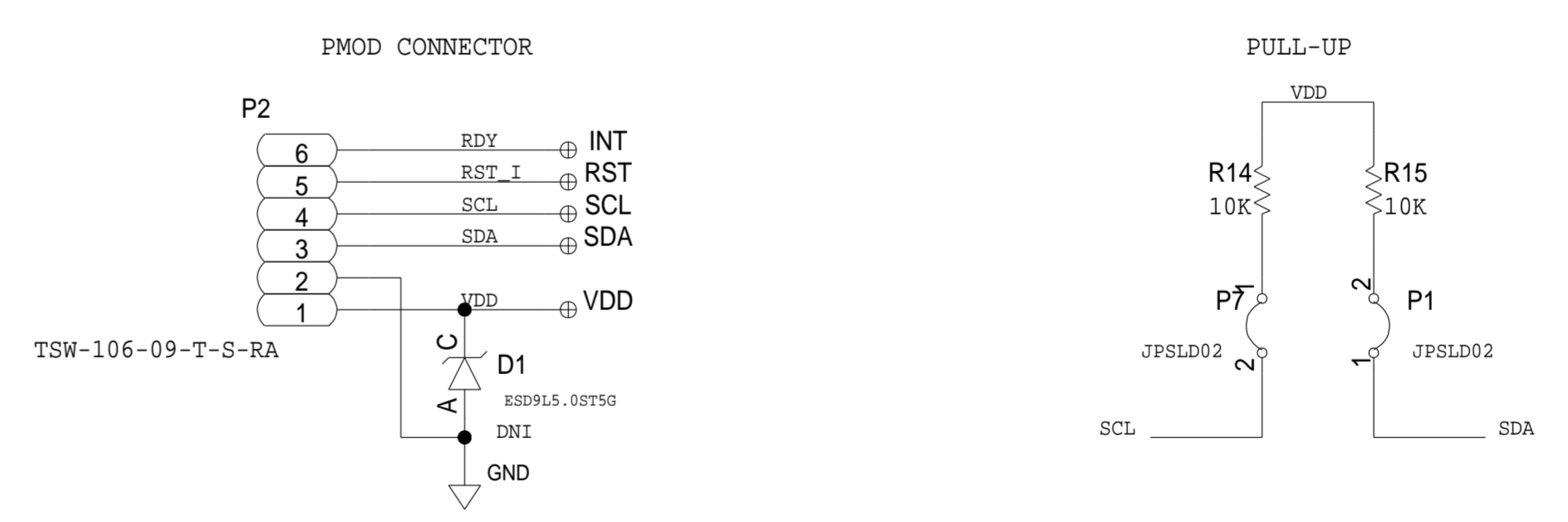


REVISIONS			
REV	DESCRIPTION	DATE	APPROVED

RANGE EXTENSION



I2C CONNECTION



	SCHEMATIC		
	HW TYPE : Customer Evaluation Z Product(s) : AD7746 : N/A		
	DESIGN VIEW <DESIGN_VIEW>	DRAWING NO. 02_065434	REV B
PTD ENGINEER T. CABILDO	SIZE D	SCALE 1:1	SHEET 2 OF 2

THIS DRAWING IS THE PROPERTY OF ANALOG DEVICES INC. IT IS NOT TO BE REPRODUCED OR COPIED, IN WHOLE OR IN PART, OR USED IN FURNISHING INFORMATION TO OTHERS, OR FOR ANY OTHER PURPOSE DETRIMENTAL TO THE INTERESTS OF ANALOG DEVICES. THE EQUIPMENT SHOWN HEREON MAY BE PROTECTED BY PATENTS OWNED OR CONTROLLED BY ANALOG DEVICES.