

6

5

4

3

2

1

D

D

C

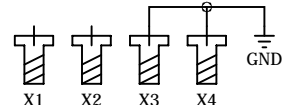
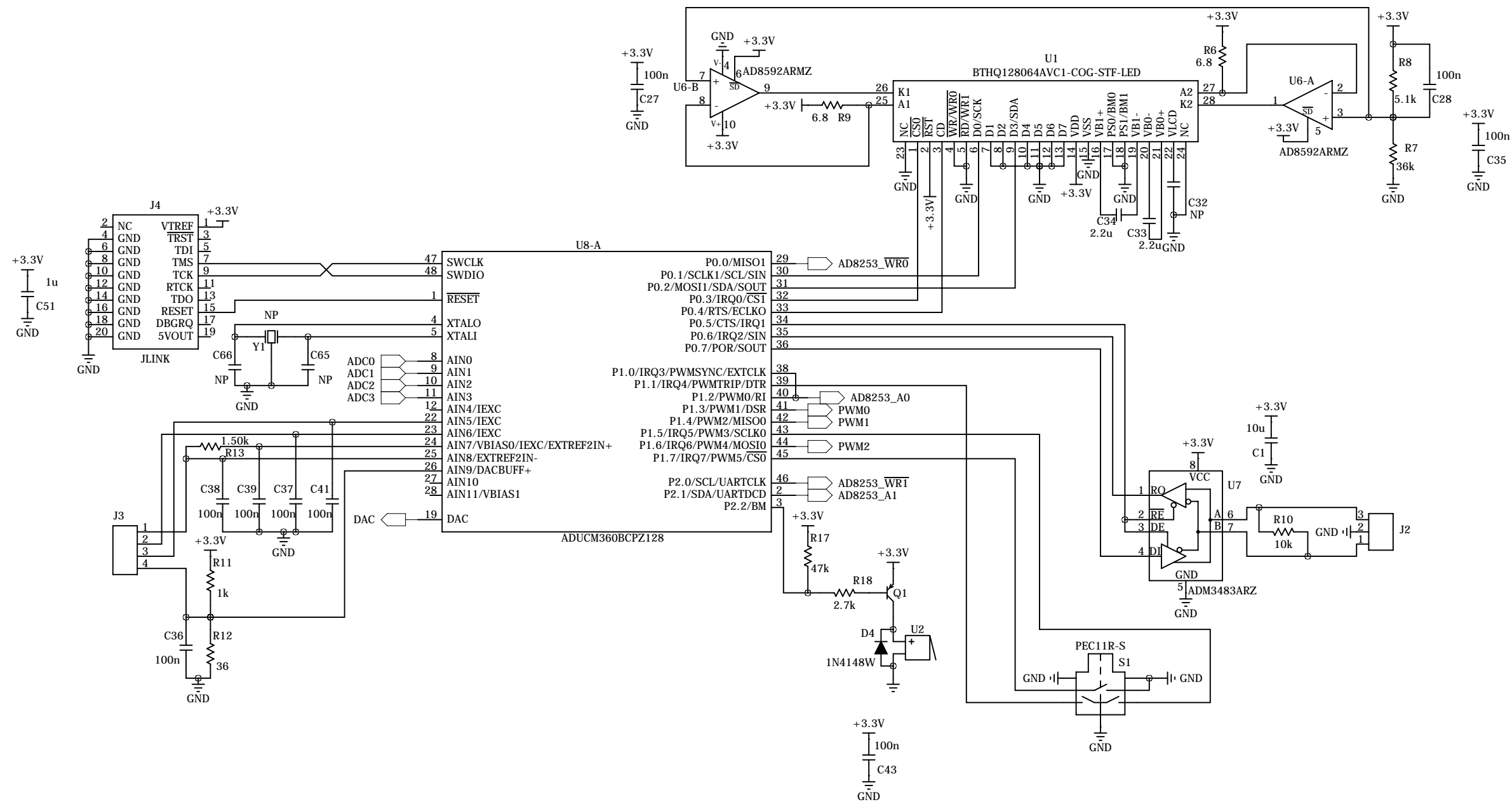
C

B

B

A

A



COMPANY: **Analog Devices, Inc.**

PROJECT TITLE: **CN0359**

DRAWN: <b>Robert Lee</b>	DATED: <b>9/16/2016</b>	SIZE: <b>B</b>	SCHEMATIC TITLE: <b>MAIN</b>	REV: <b>A</b>
RELEASED: <b>Robert Lee</b>	DATED: <b>2014-11-01</b>	SCALE: <b>1</b>	SHEET: <b>1</b> OF <b>3</b>	

6

5

4

3

2

1

D

D

C

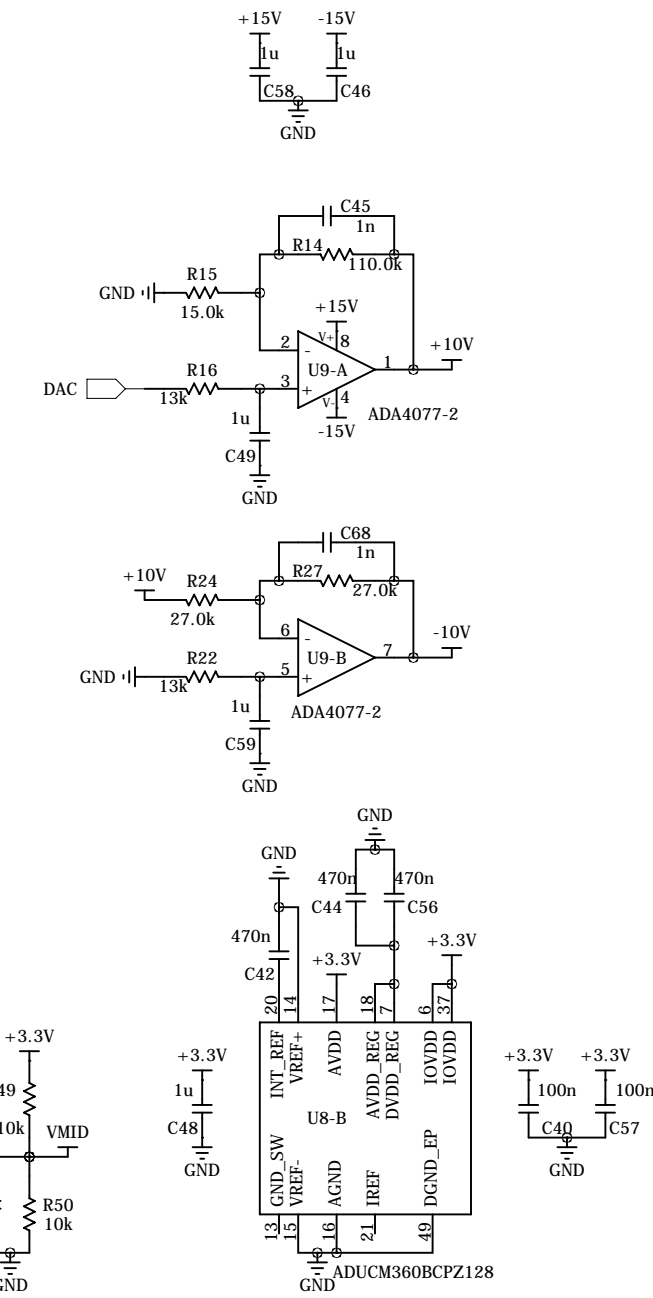
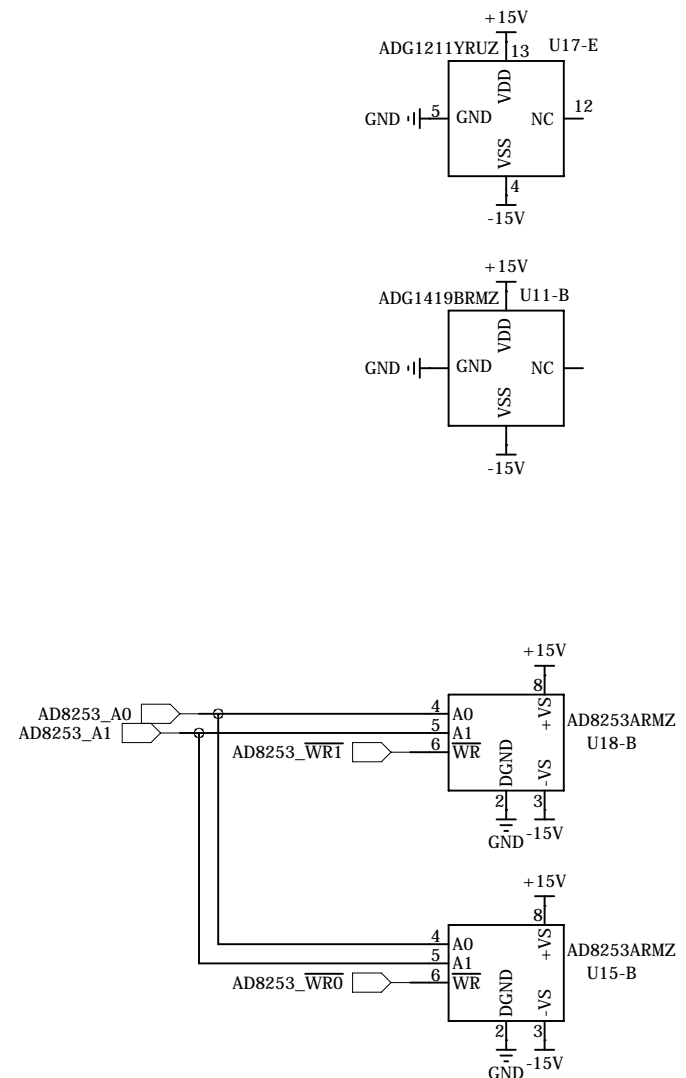
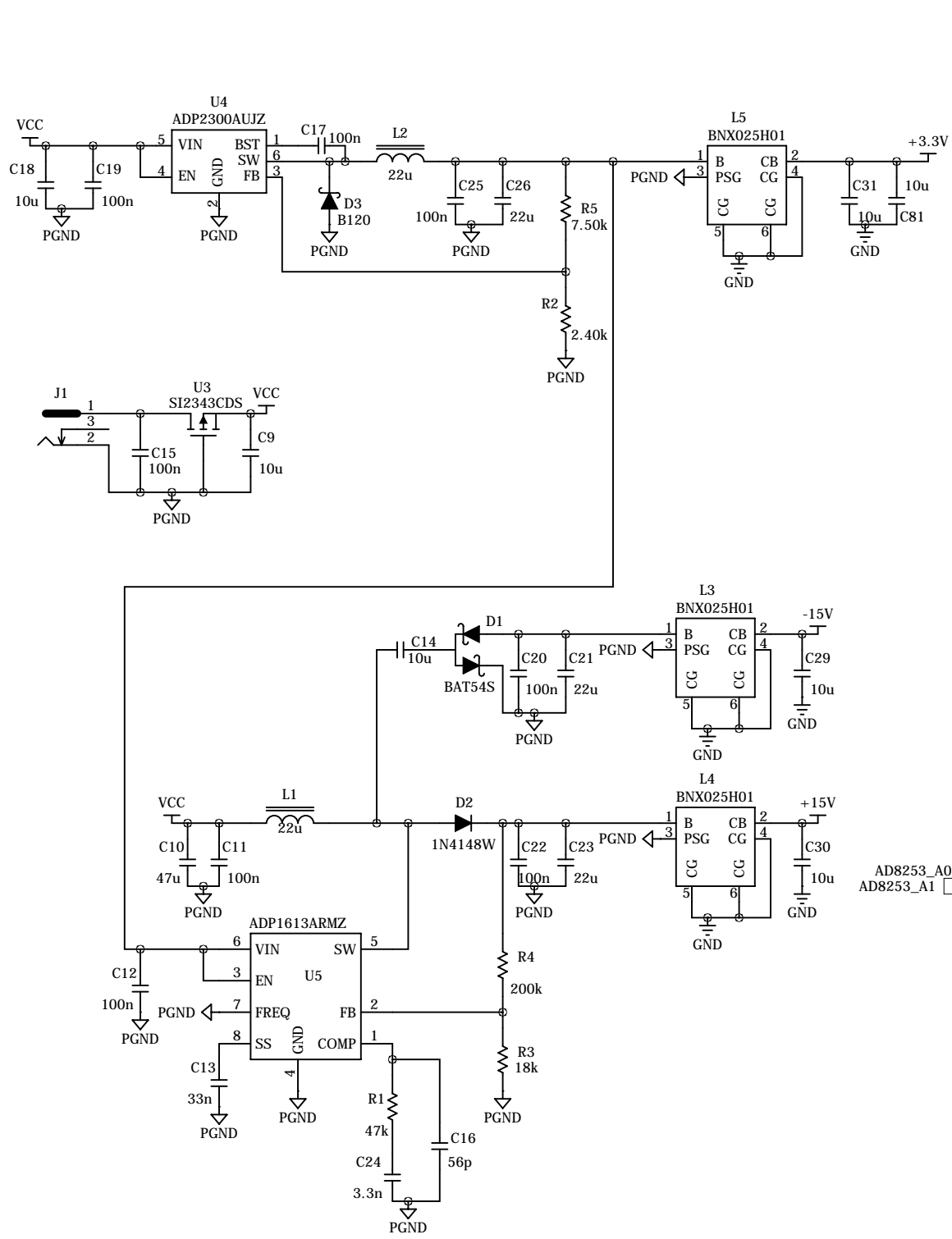
C

B

B

A

A



COMPANY:		Analog Devices, Inc.		
PROJECT TITLE:		CN0359		
DRAWN:	DATED:	SIZE:	SCHEMATIC TITLE:	REV:
Robert Lee	9/16/2016	B	POWER	A
RELEASED:	DATED:	SCALE: 1		SHEET: 2 OF 3
Robert Lee	2014-11-01			

6 5 4 3 2 1

D

D

C

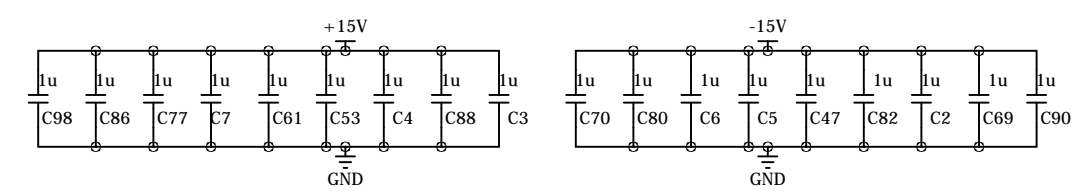
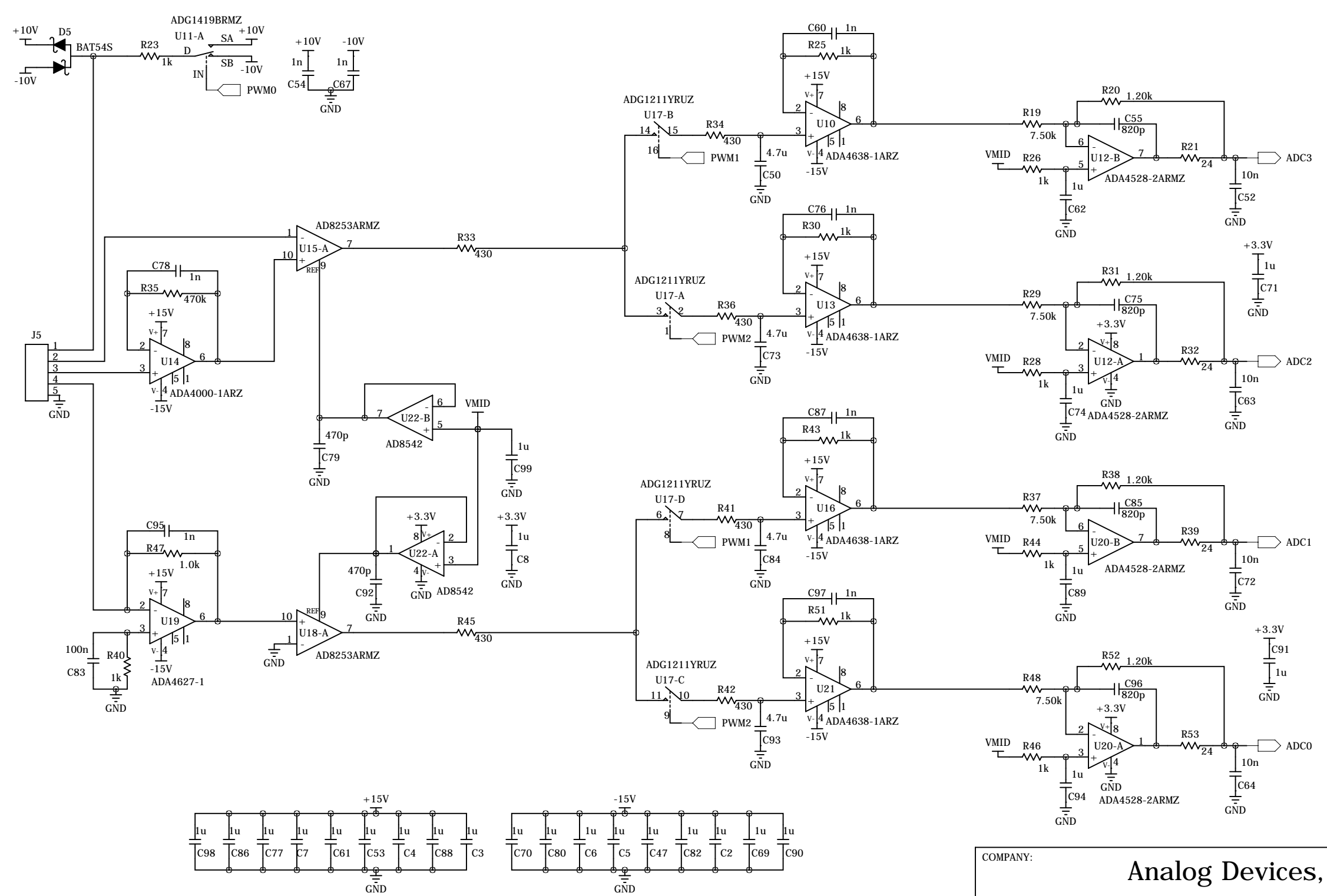
C

B

B

A

A



COMPANY:		Analog Devices, Inc.	
PROJECT TITLE:		CN0359	
DRAWN:	DATED:	SIZE:	SCHEMATIC TITLE:
Robert Lee	9/16/2016	B	ANALOG
RELEASED:	DATED:	SCALE:	REV:
Robert Lee	2014-11-01	1	A
SHEET: 3			OF 3