

6

5

4

3

2

1

D

D

C

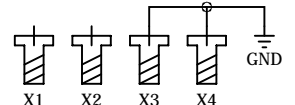
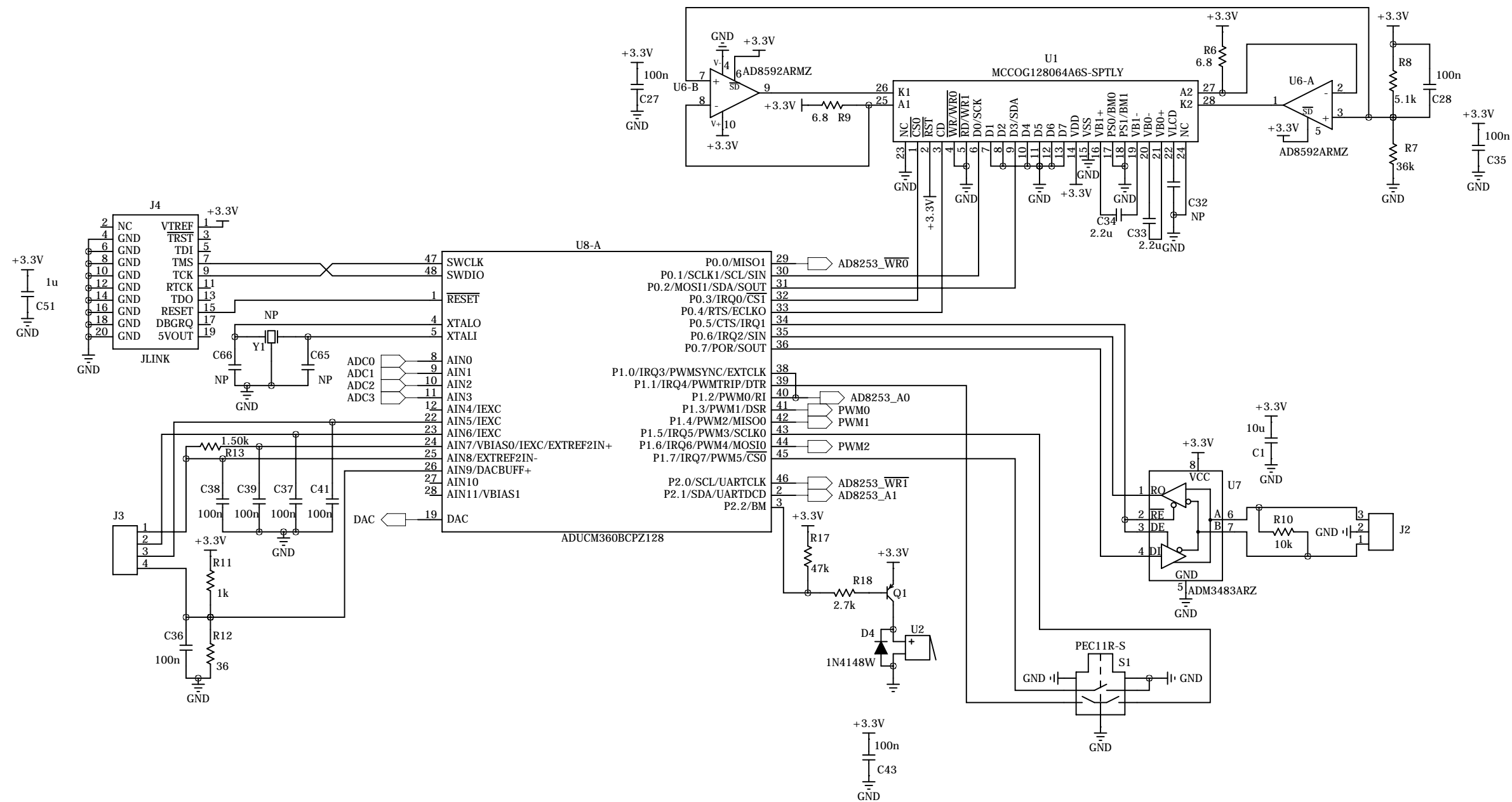
C

B

B

A

A



COMPANY: **Analog Devices, Inc.**

PROJECT TITLE: **CN0359**

DRAWN: Robert Lee	DATED: 2014-10-31	SIZE: B	SCHEMATIC TITLE: MAIN	REV: A
RELEASED: Robert Lee	DATED: 2014-11-01	SCALE: 1		SHEET: 1 OF 3

6

5

4

3

2

1

D

D

C

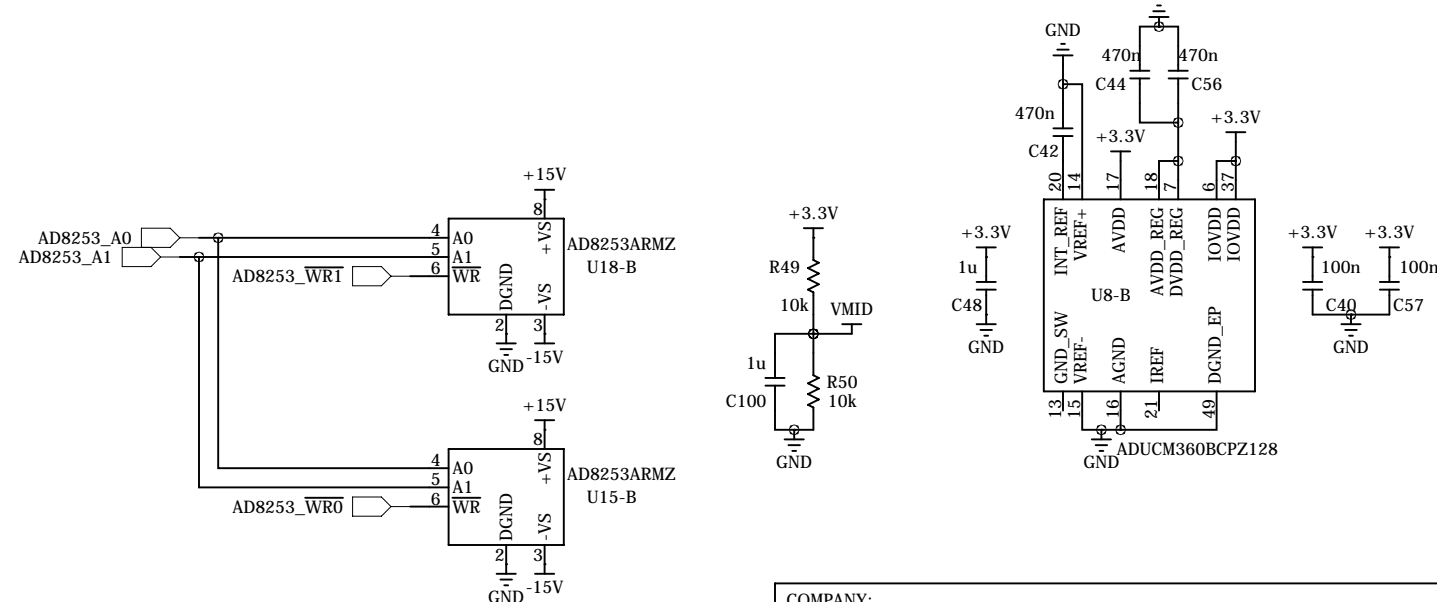
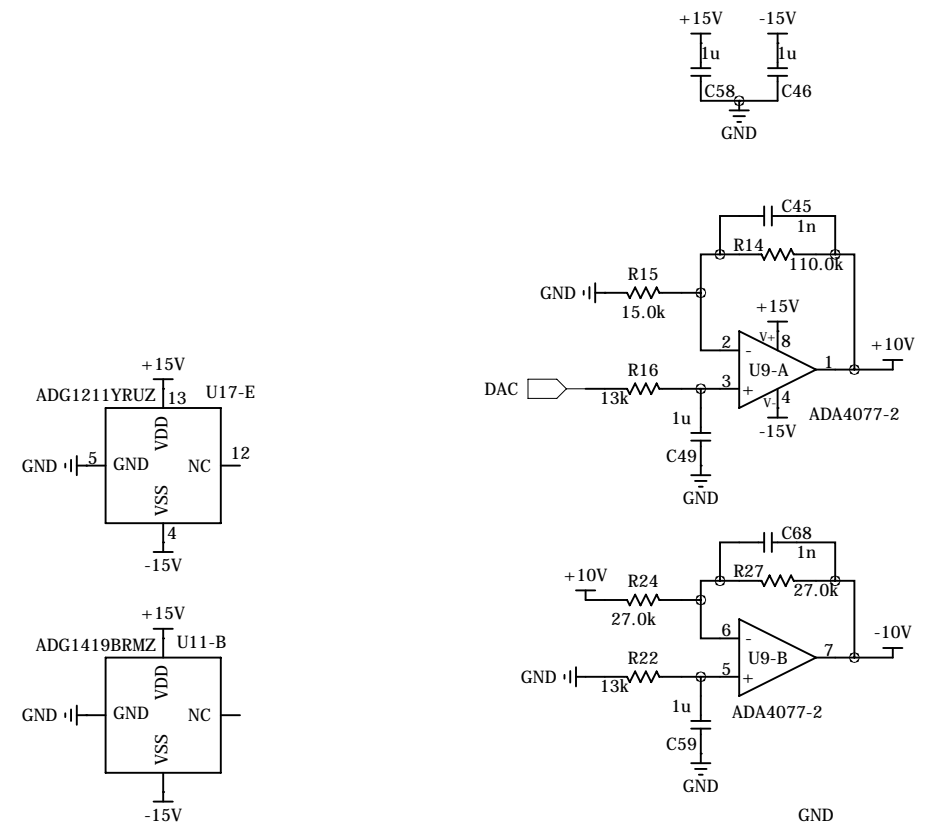
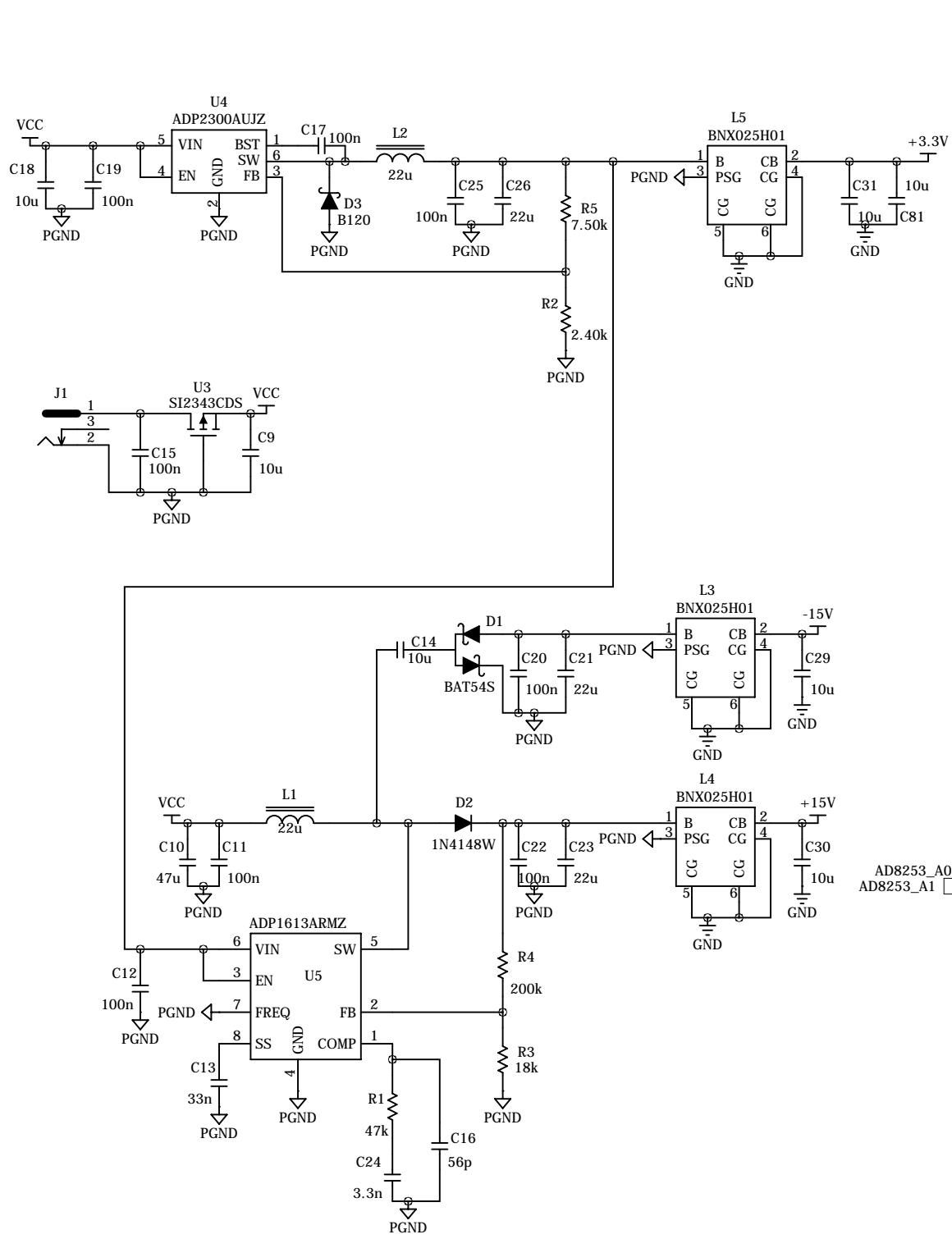
C

B

B

A

A



COMPANY: **Analog Devices, Inc.**

PROJECT TITLE: **CN0359**

DRAWN: Robert Lee	DATED: 2014-10-31	SIZE: B	SCHEMATIC TITLE: POWER	REV: A
RELEASED: Robert Lee	DATED: 2014-11-01	SCALE: 1	SHEET: 2 OF 3	

